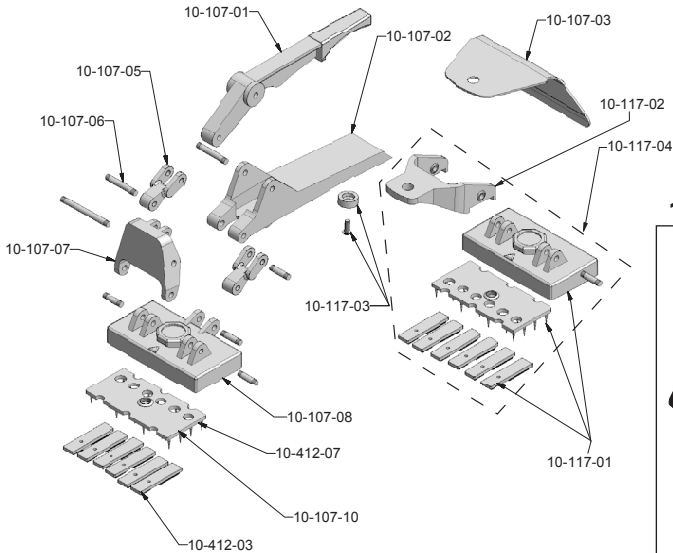
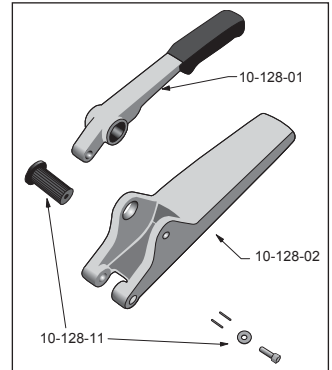


ROBERTS 10-117

PATTERN MATCHING AND SEAM REPAIR STRETCHER



10-128 SPECIAL PARTS



10-128 & 10-117 REPLACEMENT PARTS LIST

Part	Description
10-107-03	Blade
10-107-05	Link Assembly, Pair
10-107-06	Pivot Pins, Set of 8
10-107-07	Driver Assembly
10-107-08	Head Assembly w/baseplate, gripper inserts and screws
10-107-09	Head Assembly only for -08
10-107-10	Base Assembly only for -08
10-107-30	Carrying Case
10-117-01	Rear Head Assembly, with base plate, gripper inserts, screws
10-117-02	Rear Driver Assembly
10-117-03	Cup Washer, Screw, Wrench
10-117-04	Assembled seam repair attachment, complete with head, driver, blade pivot stud, screws & washers
10-412-03	Gripper Inserts, Set of 3
10-412-07	Teeth, Set of 16
10-107-01	Handle Assembly
10-107-02	Frame Assembly

10-128 UNIQUE PARTS LIST

Part	Description
10-128-01	Handle assembly
10-128-02	Frame assembly
10-128-11	Ratchet assembly with hex screw, washer and pins