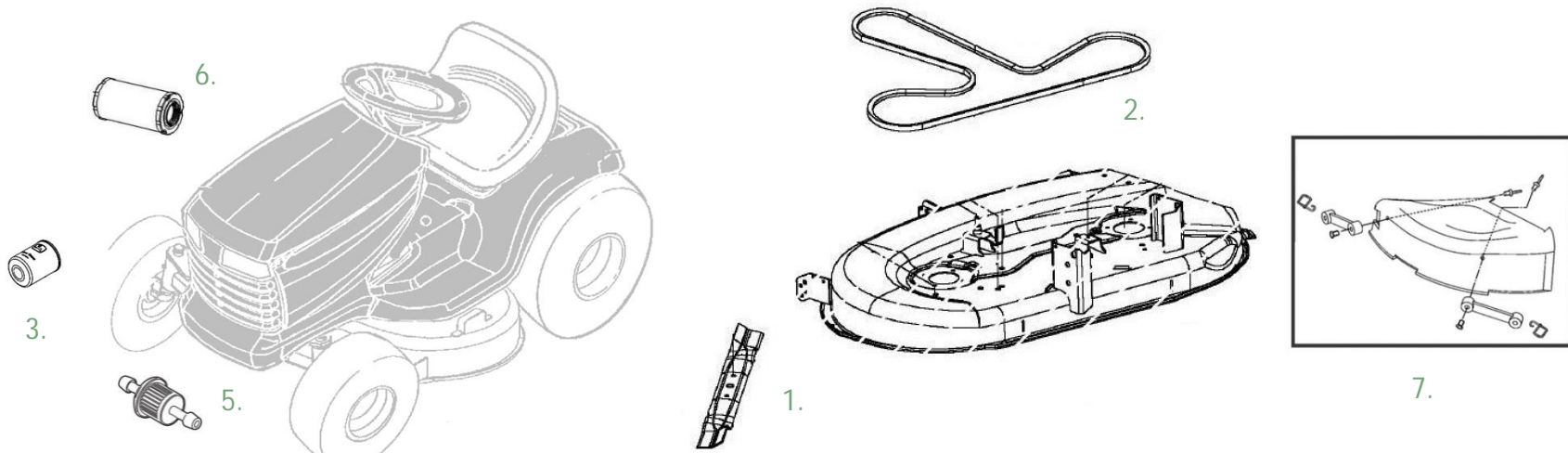


John Deere D105 Lawn Tractor

Parts and Maintenance Information



| Key | Description | Part Number | THD Store SKU | THD Online SKU |
|-----|---------------------------|-------------|---------------|----------------|
| 1. | 42 inch Mower Blade (3n1) | GY20850 | 469-318 | 100543327 |
| 2. | 42 inch Mower Deck Belt | GY20072 | 374-857 | 100330463 |
| 3. | Oil Filter | GY20577 | 226-963 | 100175070 |
| 4. | Oil | TY22029 | 226-971 | 100127512 |
| 5. | Fuel Filter | GY20709 | 289-625 | 100126418 |
| 6. | Air Filter | GY21435 | 876-771 | 202722487 |
| 7. | Mulch Cover | GY00115 | 178-452 | 100670936 |

John Deere D105 Lawn Tractor

Parts and Maintenance Information

Service Intervals

| After 8 Hours | Every 50 Hours or Annually |
|--|--|
| Change engine oil & replace filter | Change engine oil & replace filter. (Service more frequently under dusty conditions.) |
| Check & adjust mower deck belt tension | Clean/replace air filter precleaner & element. (Service more frequently under dusty conditions.) |
| Check & adjust mower deck spindle brakes | Replace fuel filter. |
| Lubricate mower spindles | Sharpen/replace mower blades. |
| Lubricate pivot points | Check/replace mower drive belt. |
| Lubricate front axle wheel spindles & bushings | Check/adjust mower deck belt tension. |
| Every 25 Hours | Check/adjust mower deck spindle brakes. |
| Lubricate mower spindles. | Every 200 Hours |
| Lubricate pivot points. | Check/adjust valve clearance. See your John Deere dealer for this service. |
| Lubricate front axle wheel spindles & bushings | |

For complete parts information for 100 Series Tractors: Visit your local John Deere Dealer or www.Deere.com

*Refer to Operators Manual for a complete listing of service intervals.

