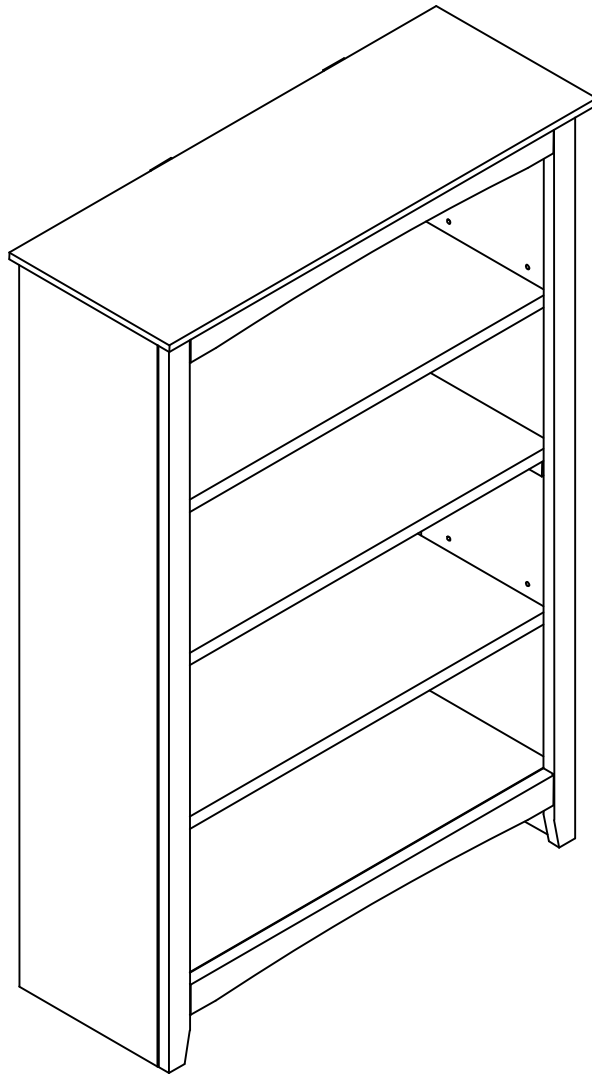


# ASSEMBLY INSTRUCTIONS

---



---

Description : 32 X 12 X 48 HIGH BOOK CASE RTA  
Item No. : SH-3224A

## BEFORE ASSEMBLY

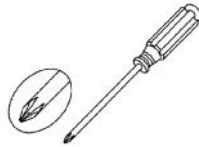
Thank you for purchasing this quality product. This product has been designed for easy assembly and constructed for durability. All parts were checked prior to packaging to insure quality. Prior to beginning assembly, however, make sure all parts and hardware are included and free of obvious defect. If a part is missing or defective, please contact the store where purchased. If hardware is missing, or you need help with assembly, please call toll free 888-944-8396.

### IMPORTANT NOTE:

- Place all wooden parts on a clean and smooth surface such as a rug or carpet to avoid the parts from being scratched.
- Remove all wrapping material, including staples & packing straps before you start to assemble.
- DO NOT tighten all screws and bolts until completely assembled.
- Keep all hardware parts out of reach of children.

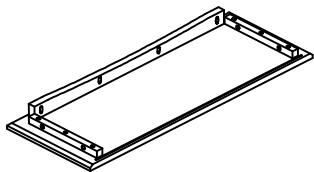
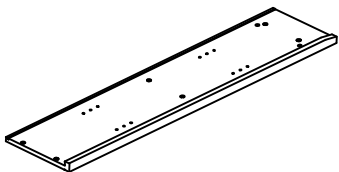
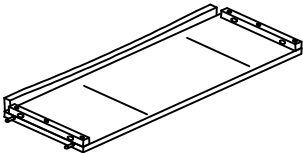
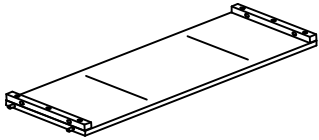
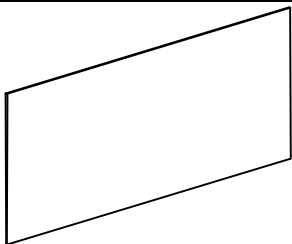
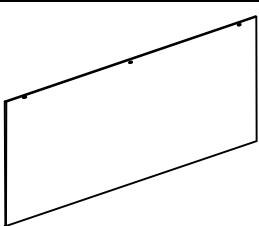
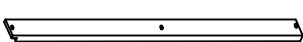

### ASSEMBLY TOOLS REQUIRED

NOT INCLUDED







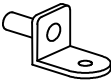
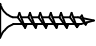
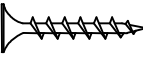

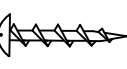

## PARTS LIST

When unpacking, please be careful not to discard any parts with the packaging. Before continuing, please make sure you have all of the following parts:

NO	Description	Qty	Sketch	NO	Description	Qty	Sketch
A	Top	1		B	Side panel (L-R)	2	
C	Bottom panel	1		D	Shelf panel	1	
E	Back upper (Large)	1		F	Back lower (Small)	1	
G	Connector	2		H	Adjustable shelf	2	

## HARDWARE LIST

When unpacking, please be careful not to discard any parts with the packaging. Before continuing, please make sure you have all of the following hardware:

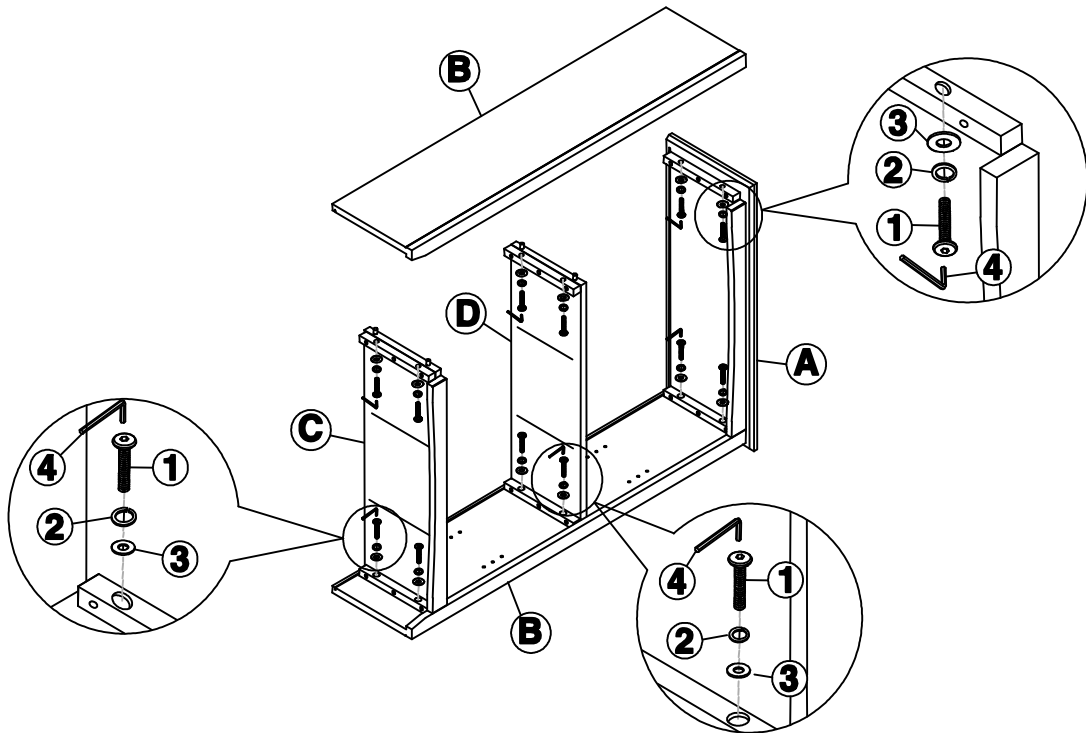
NO	Description	Qty	Sketch	NO	Description	Qty	Sketch
1	Bolt (M6 x 30mm)	12		2	Lock washer (Φ6.5 x 11mm)	12	
3	Flat washer (Φ6.5 x 13mm)	12		4	Allen Key (M4 x 110mm)	1	
5	Shelf support bracket	8		6	Short screw M3.5 x 15mm	12	
7	Long screw (M4 x 30mm)	2		8	Steel band	2	
9	Pan head screw (M4 x 20mm)	12		10	Flat washer (Φ6.5 x 19mm)	3	

ITEM NO. : SH-3224A  
REVISED APR 06, 2016

Printed in Vietnam

## STEP 1

Attach side panels (B) to the top (A), and shelf panel (D) and bottom panel (C) with bolts (1), and washers (2) and (3) as shown below. Tighten with Allen key (4).

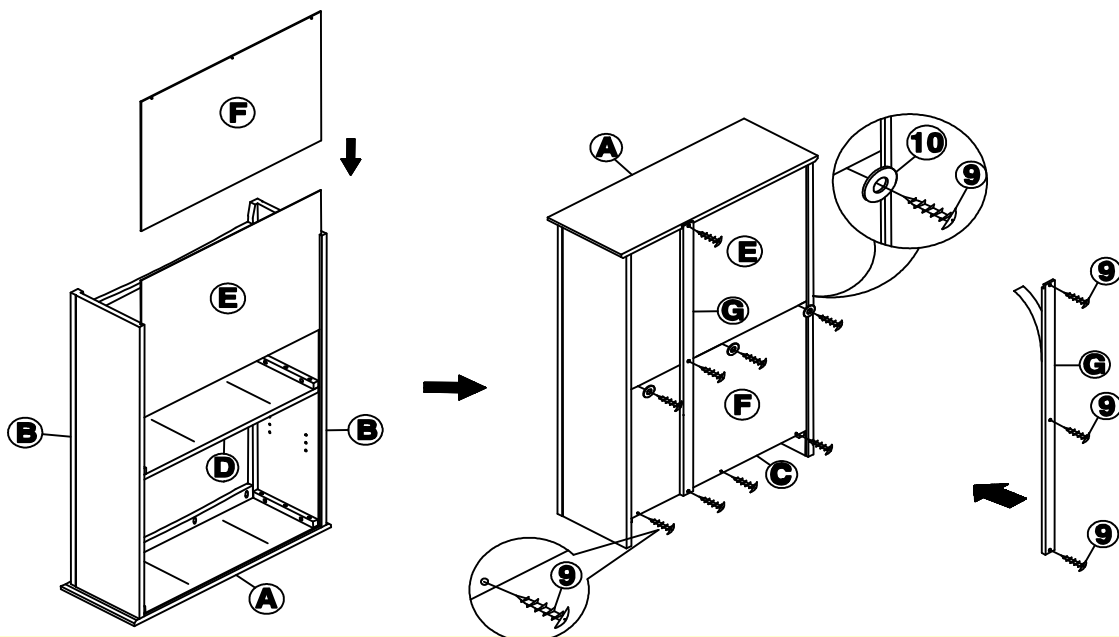


## STEP 2

Slide back panels (E) and (F) into the grooves as shown below .

Attach back panel (F) to bottom panel (C) with pan head screws (9) as shown below. Then attach back panels (E) and (F) to bottom panel (D) with pan head screws (9) and washers (10). Tighten with a screwdriver.

Remove the paper strip and attach sticky side of connectors (G) to back of the unit. Then attach connectors (G) to the top (A) and bottom panel (C) and shelf panel (D) with pan head screws (9). Tighten with a screwdriver.



ITEM NO. : SH-3224A  
REVISED APR 06, 2016

Printed in Vietnam

## STEP 3

Attach brackets (5) to the unit as shown below. Then place the shelves (H) on the brackets and attach with screws (6). Tighten with a screwdriver.

Attach steel bands (8) to the unit with screws (6). Then attach the steel band to a wall with screws (7) as shown below (to secure the product and prevent tipping). Tighten with a screwdriver.

