
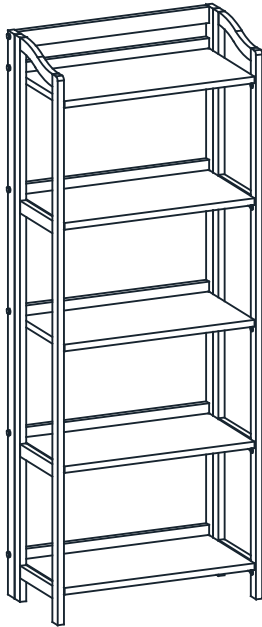


Assembly Instruction Sheet for Item# 337-5X Stratford 5-Shelf Folding Bookcase

List of Hardware

Description	Q'ty
Wood Plug 	12



Step 1 : Gently lean the closed bookcase against the wall with a slight tilt to the back as per Diag.1

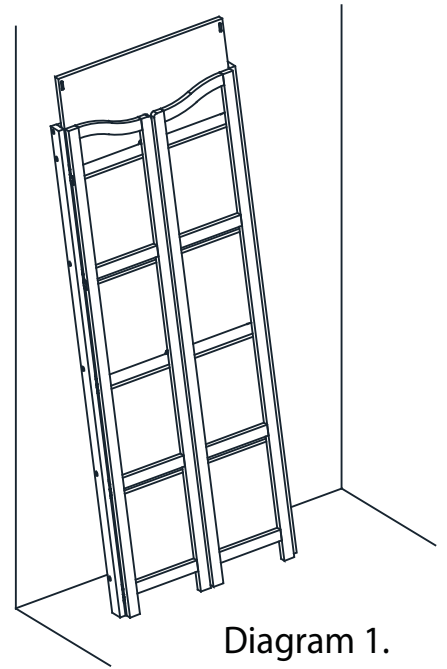


Diagram 1.

Step 2 : Unfold side panels as per Diag.2.

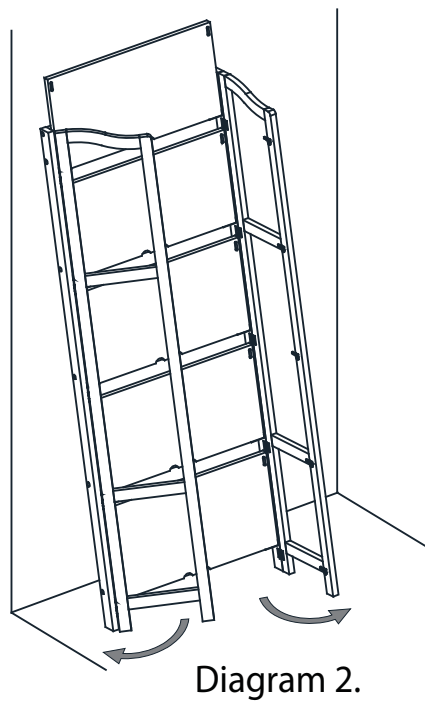


Diagram 2.

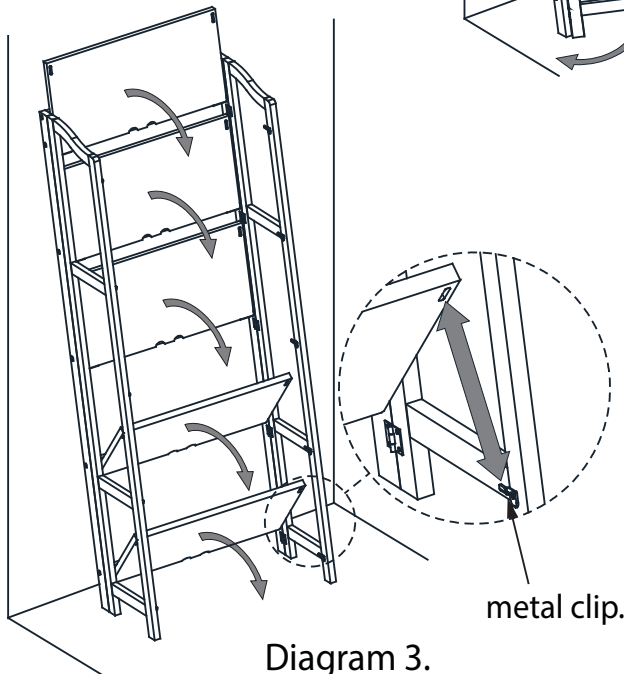


Diagram 3.

Step 3 : Unfold each shelves rest on the metal clip as per Diag.3.

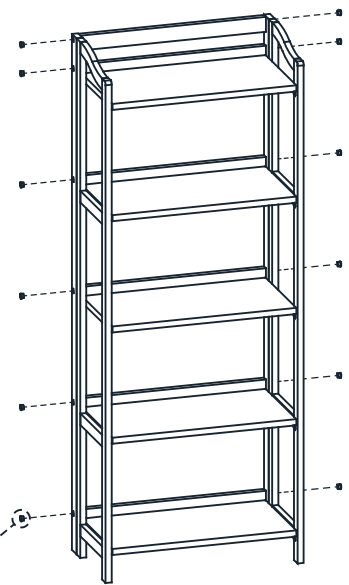


Diagram 4.



Step 4 : Stand the bookcase to its upright position and cover the screw holes with wood plug as per Diag.4.