

Item #1001863164  
Model #5623-WH

# Installation Guide

## Flat Panel TV Cable Organizer Kit

### PACKAGE CONTENTS

- A - Pre-Assembled Top Plate w/ 15 A/125 V Duplex Receptacle, 8 ft 14/2 With Ground Pre-Stripped Electrical Building Wire and Attached Mounting Wings
- B - Bottom Plate With Easy Push-in Connectors and Attached Mounting Wings
- C - 6 ft. Extension Cord w/ 360° Rotating Flat Head
- D - Electrical Box

### TOOLS NEEDED

- Drywall Saw
- Tape Measure
- Phillips Head Screwdriver
- Pencil
- Level
- Stud Finder

### CAUTION

Intended for use on 15 amp branch circuits  
Not intended for use in drywall with fire walls  
On outside exterior walls with insulation push away insulation to allow proper mounting

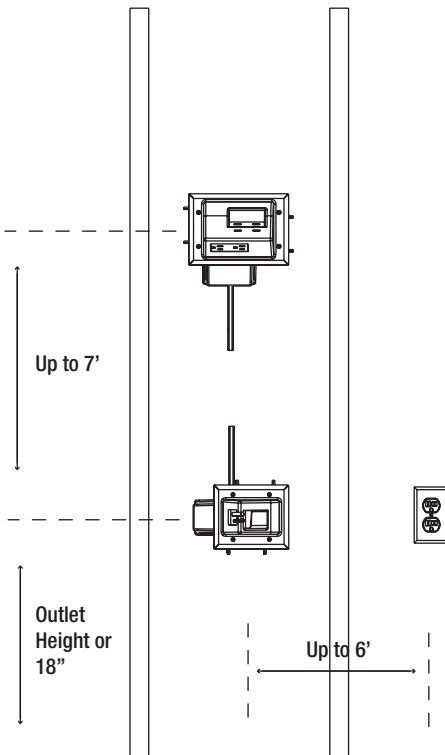
For video information visit [homedepot.com](http://homedepot.com) and search SKU 1001863164 or model number 5623-WH



## Installation

### 1 PREPARING THE WALL FOR INSTALLATION

- Determine the top and bottom plate location\*.
- Use the stud finder to center between the wall framing studs.
- Be sure to frame your plate both vertically and horizontally.

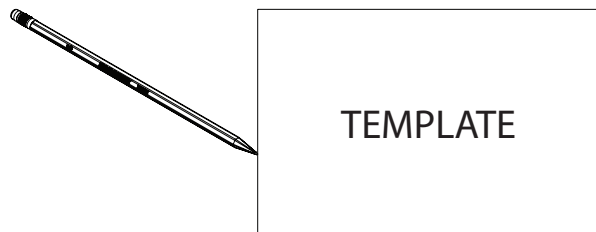


\*This kit is designed for standard 2x4 framed walls.

Both top and bottom plates are installed between the same two studs.

### 2 PREPARING THE WALL FOR INSTALLATION

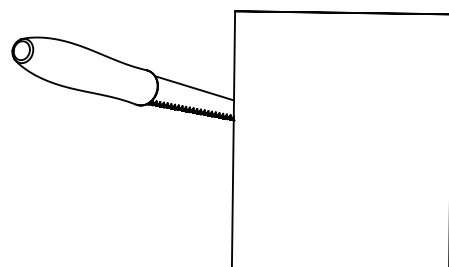
- Using the template supplied, trace the opening for both the top and bottom plate on the wall. Remember, the plates are designed to be mounted centered between the studs.

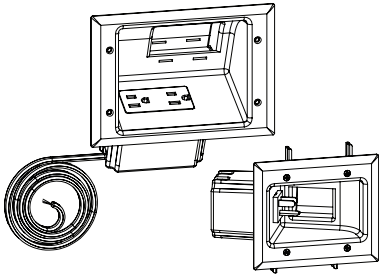


TIP: Loop a piece of tape with the sticky side outward to form a circle and apply it to the back of the template to secure it to the wall.

### 3 CUT DRYWALL FOR TOP AND BOTTOM PLATES

- With your template secured to the wall with the tape, using a drywall saw, cut a hole in the drywall the size of each template

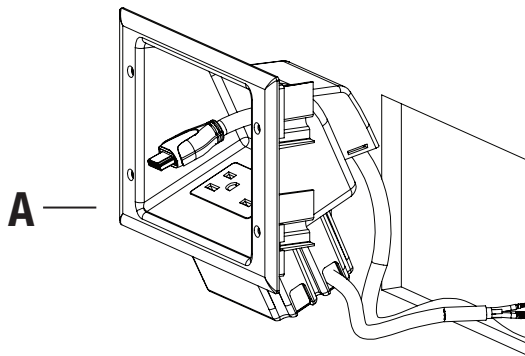




## Installation

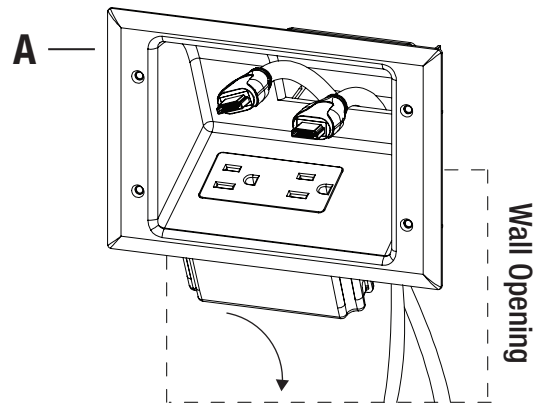
### 4 RUN CABLES THROUGH WALL

- Run your low voltage cables and the included 14/2 with ground UL approved electrical building wire from the top opening in the wall through the bottom opening in the wall. **TIP:** Straighten out the cable from the top plate BEFORE running the cable through the wall. You will need to fish the cables from the top opening to the bottom opening. (For exterior walls as you may need to use the Commercial Electric Mini Cable Snake) BEFORE installing the top power plate into the top template opening, make sure to pull your low voltage cables through the low voltage cable opening at the back of the plate.



### 5 INSTALLING THE TOP PLATE

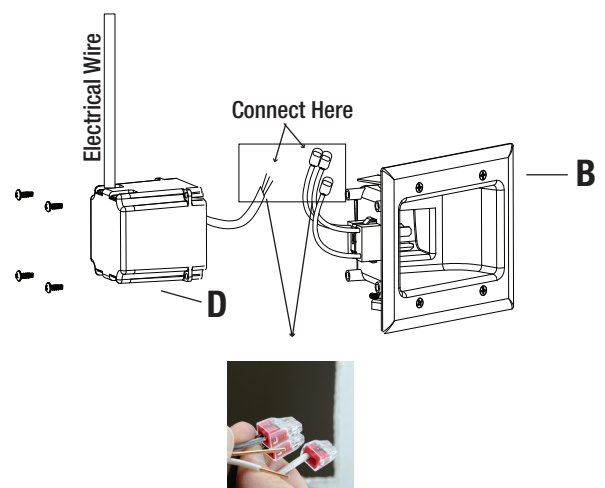
- After inserting your low voltage cables and the electrical building wire through the opening for the top plate (A), insert the top plate (A) into the wall by inserting the electrical work box into the wall first. Slowly slide the top power plate (A) into the opening. Swing the top of the plate into position until the entire plate is flush against the wall. Using a **Phillips head screwdriver**, tighten the screws with wings. These wings fasten tightly against the back of the drywall. **Do not** overtighten screws.

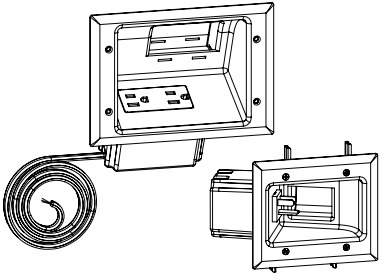


### 6 Installation of Electrical Connectors

- Now that you have pulled the top power outlet plate's electrical building wire through the bottom hole on the wall, bend the wire straight. Break the tab on the back of the white old work box (D) and push the stripped end of the wire through the opening. Insert the stripped end of the wires into the push-in connectors. First, insert the stripped black wire into the open side of the push-in connector with the black wire – be sure to push the stripped black wire completely into the connector. Insert the stripped white wire into the open side of the push-in connector with the white wire. Next, insert the bare copper ground wire into the open side of the push-in connector with the green ground wire. Push all of the wires and the push-in connectors into the white old work box. Screw the white old work box to the back of the bottom plate (B).

Do not plug in the supplied 6ft. extension cord until the installation of the wallplates are completed.





Item #1001863164  
Model #5623-WH

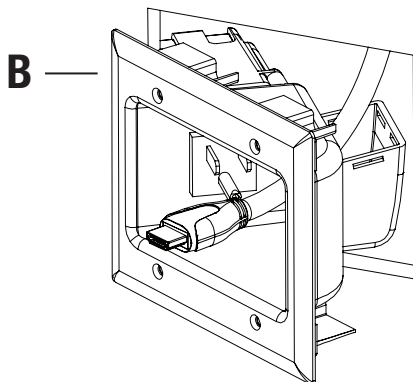
# Installation Guide

## Flat Panel TV Cable Organizer Kit

### Installation

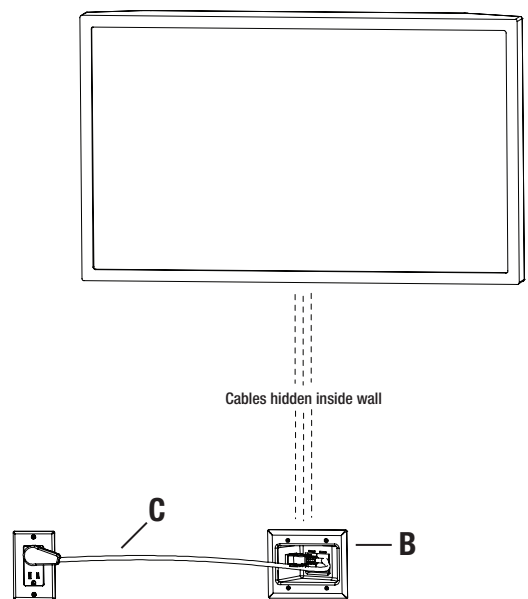
#### 7 INSTALLING THE BOTTOM PLATE

- Pull your low voltage cables through the cable opening in the bottom plate (B). Before installing the bottom recessed plate with inlet into the bottom wall opening, make sure to pull your low voltage cables through the low voltage cable opening in the back of the plate.
- Insert the side of the plate with the electrical work box into the wall. Swing the right side of the plate into position until the entire plate is flush against the wall. Now tighten the screws with wings. These wings fasten tightly against the back of the drywall. Do not overtighten screws.



#### 8 HANG TV AND ENJOY

- Hang your flat panel TV on the mounting bracket (not included) and plug your TV into the top power outlet plate. Then plug your power cord set into the nearby wall receptacle.

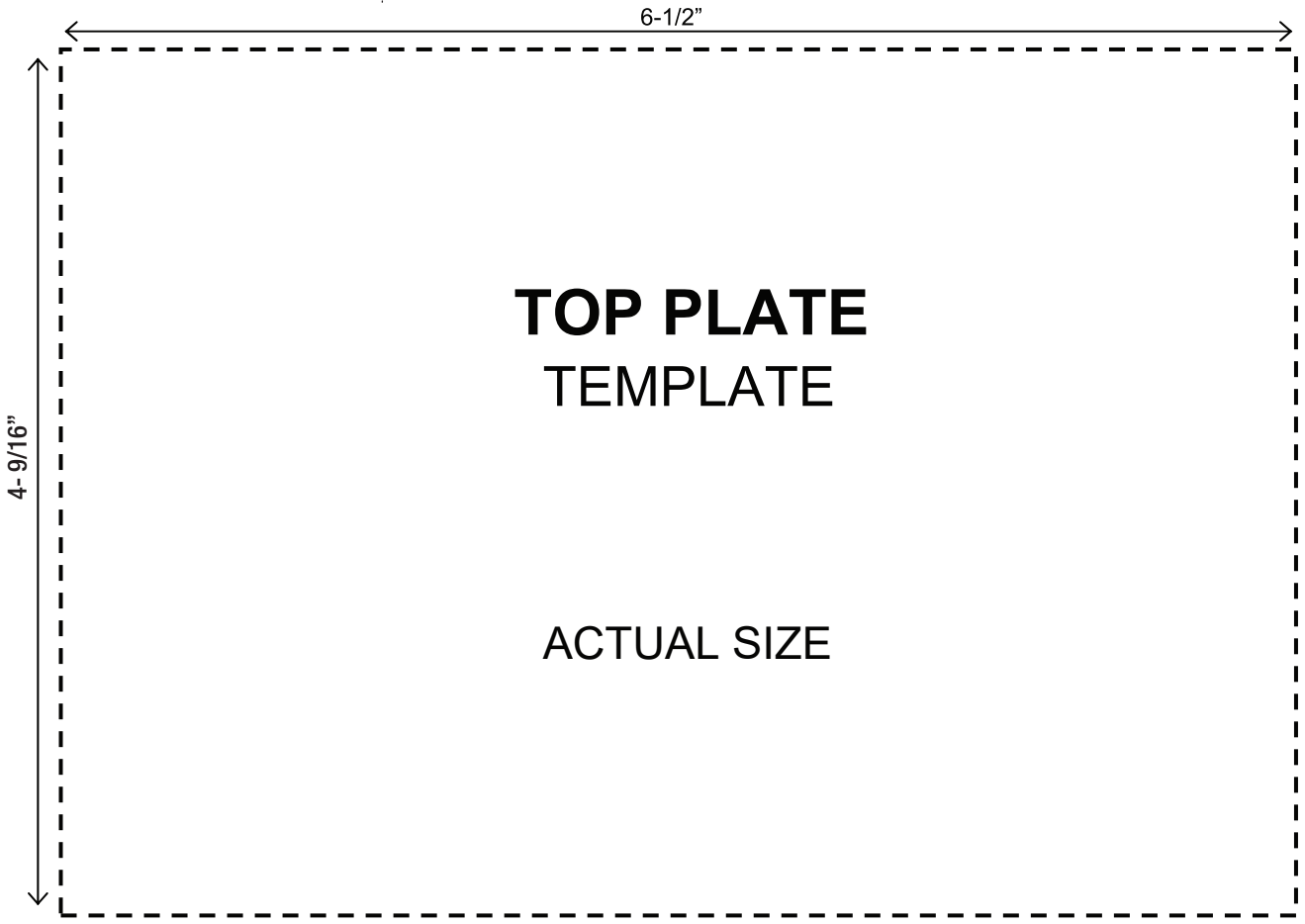


### Safety Information

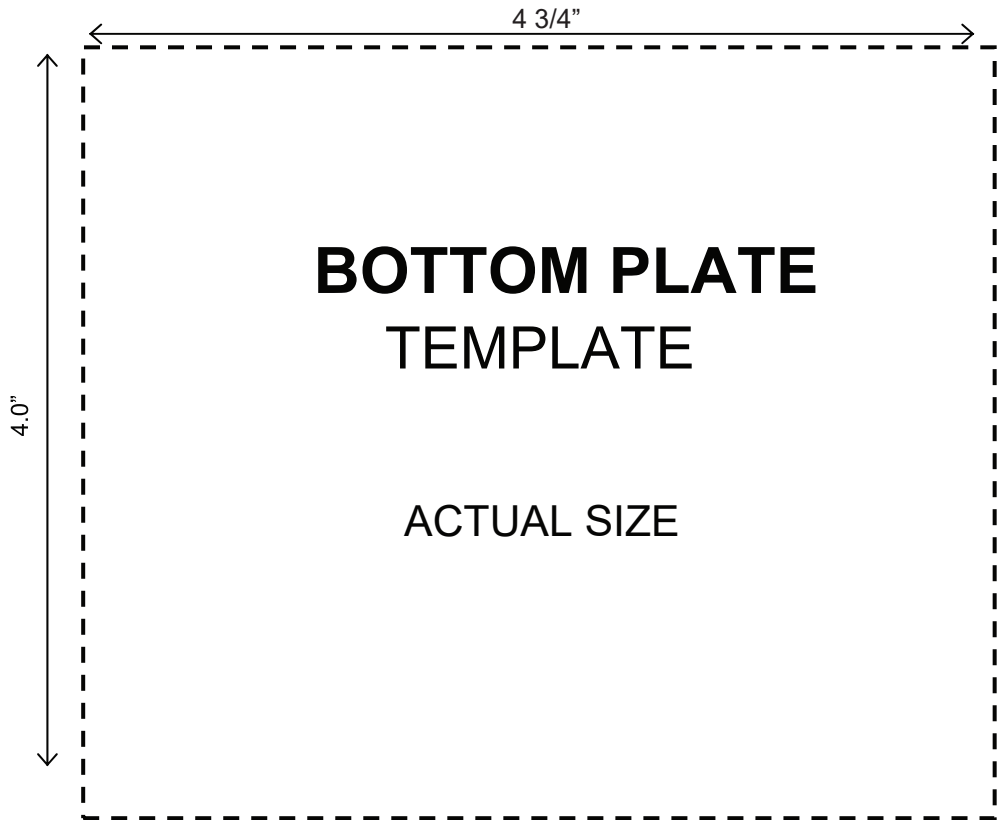
Please read all instructions and safety information before use.  
Retain this manual for future reference.



**CAUTION:** When using tools always follow the manufacturer's safety guidelines.



CUT ALONG DOTTED LINE ✂



CUT ALONG DOTTED LINE ✂