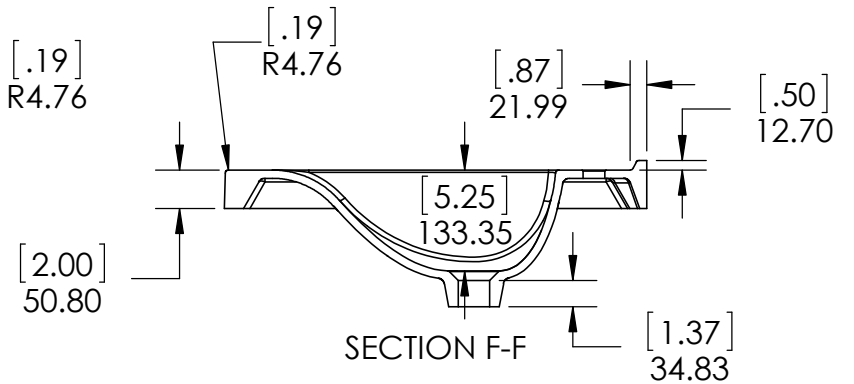
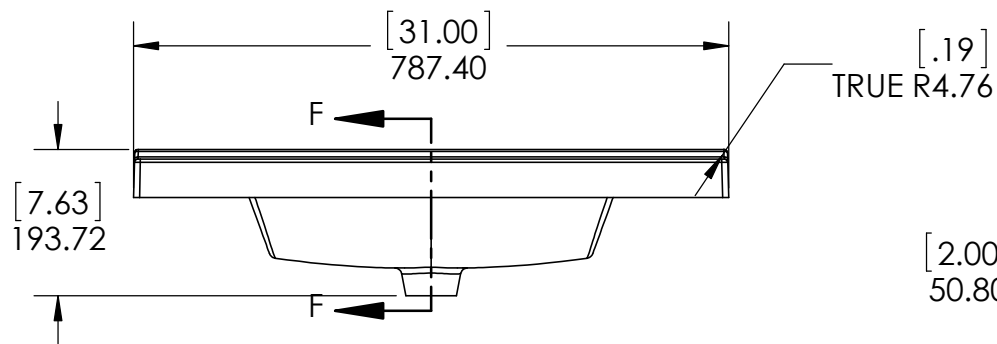
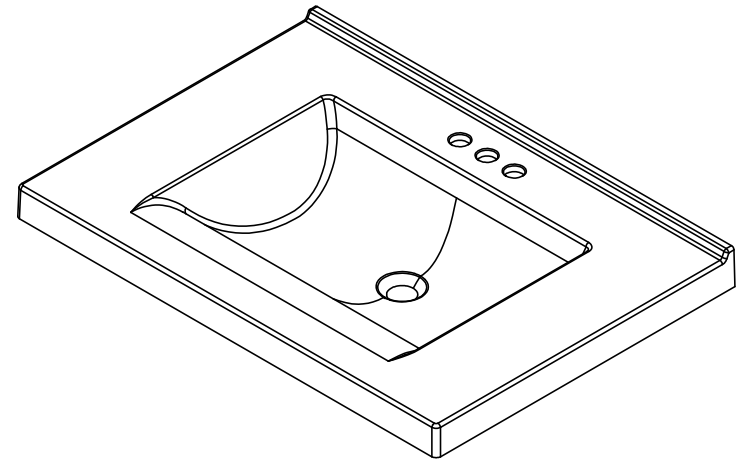
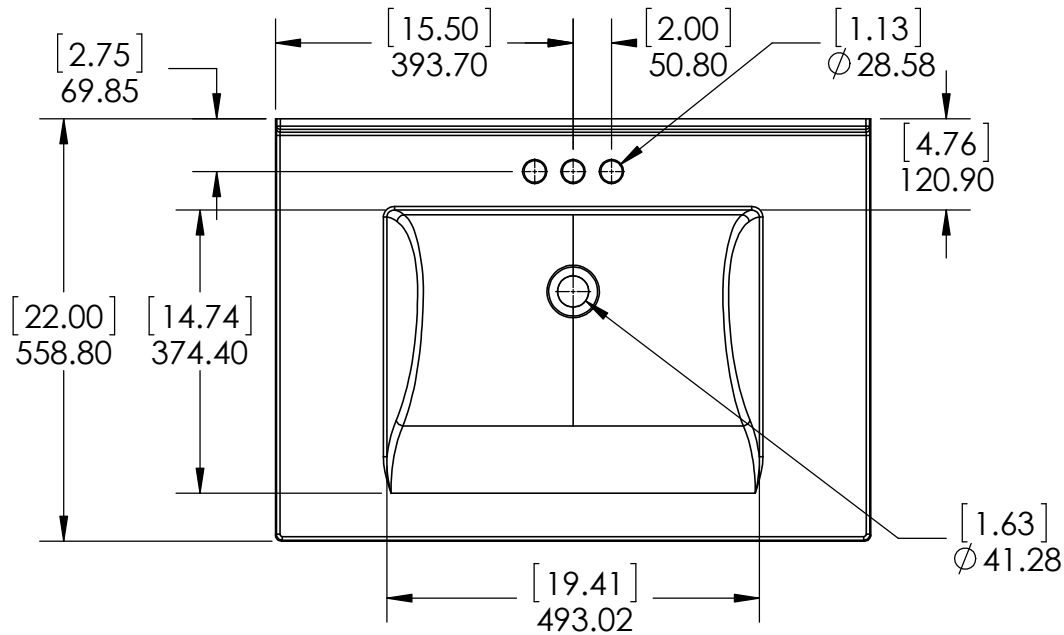


DRAWING TYPE	ITEM ID	ITEM DESCRIPTION	TECHNOLOGIES	DRAWING STATUS
Finish Good	HU3122R-WH	Vtop Wave 31 x 22 4 in	AB Composite	Ready for production
Finish Good	HU31R-WH	Glacier Bay in. Cultured Marble Vanity Top - White	AB Composite	Ready for production

REV	ECO #	DESCRIPTION	REV'D BY DATE	CHK'D BY DATE	APRV'D BY DATE
1		New Design	4/01/16	4/01/16	4/01/16
2		New item, Online	2/06/18	2/06/18	2/06/18

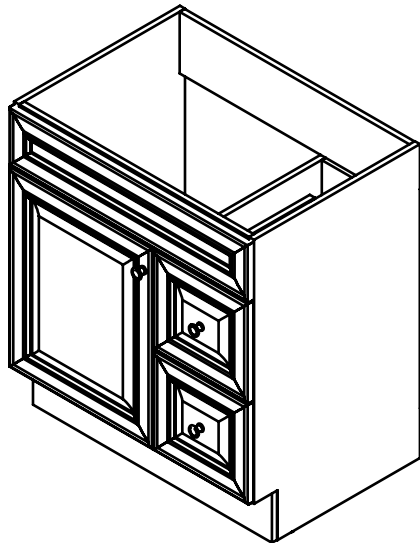
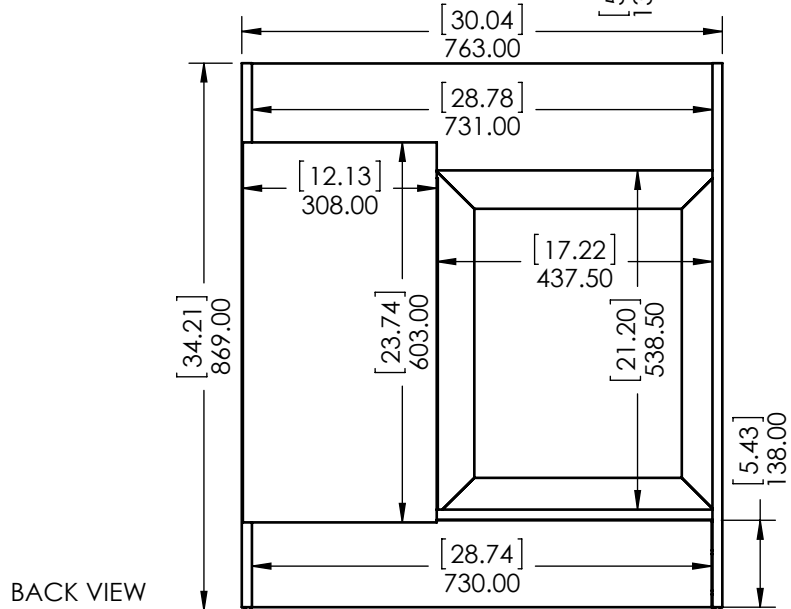
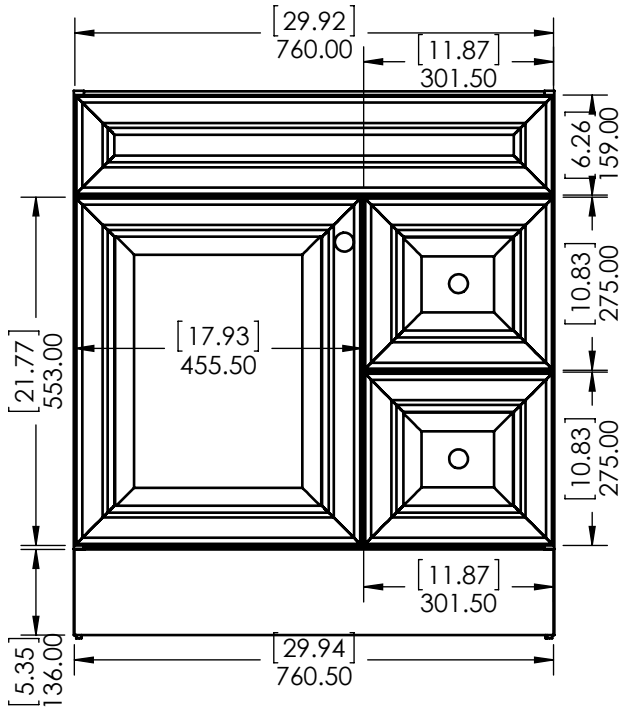
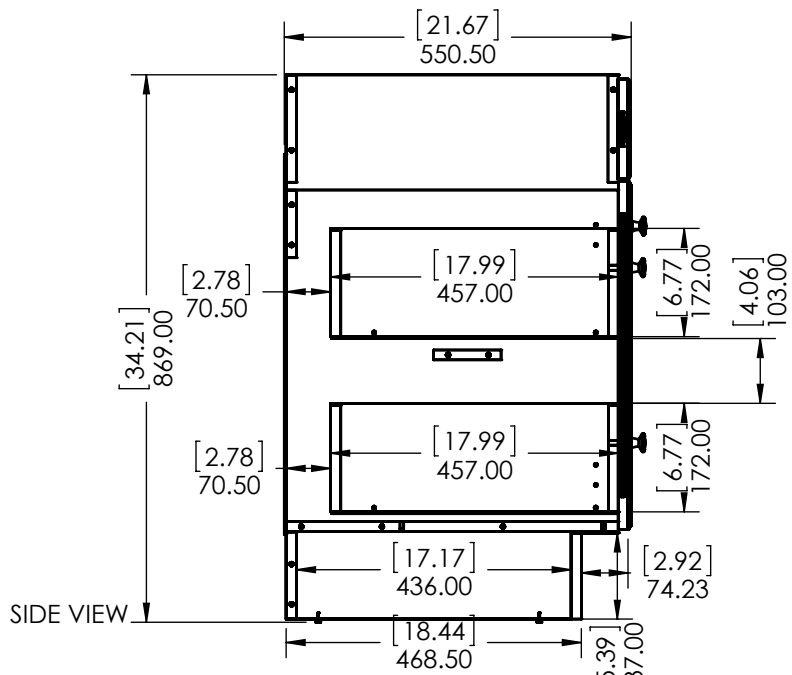


Estimated Weight: 16.5kg

<p><b>PROPRIETARY AND CONFIDENTIAL</b></p> <p>THE INFORMATION CONTAINED IN THIS DRAWING IS THE SOLE PROPERTY OF WOODCRAFTERS. ANY REPRODUCTION IN PART OR AS A WHOLE WITHOUT THE WRITTEN PERMISSION OF WOODCRAFTERS IS PROHIBITED.</p>	UNLESS OTHERWISE SPECIFIED																			
	DIMENSIONS ARE IN MM. AND (INCHES)																			
	TOLERANCES ARE																			
	+ 0.125 [3.175] - 0.125 [-3.175]																			
	SCALE:1:10																			
<table border="1"> <thead> <tr> <th></th> <th>NAME</th> <th>DATE</th> </tr> </thead> <tbody> <tr> <td>DRAWN</td> <td>E. Sandoval</td> <td>4/01/16</td> </tr> <tr> <td>CHECKED</td> <td>O. Razo</td> <td>2/06/18</td> </tr> <tr> <td>ENG APPR.</td> <td>V. Sanchez</td> <td>2/06/18</td> </tr> <tr> <td>MFG APPR.</td> <td>C. Leal</td> <td>2/06/18</td> </tr> </tbody> </table>				NAME	DATE	DRAWN	E. Sandoval	4/01/16	CHECKED	O. Razo	2/06/18	ENG APPR.	V. Sanchez	2/06/18	MFG APPR.	C. Leal	2/06/18			<p>SIZE DWG. NO. SHEET 1 OF 1</p> <p><b>A</b> Vtop Wave 31x22 REV: 1</p>
	NAME	DATE																		
DRAWN	E. Sandoval	4/01/16																		
CHECKED	O. Razo	2/06/18																		
ENG APPR.	V. Sanchez	2/06/18																		
MFG APPR.	C. Leal	2/06/18																		

ITEM ID	DESCRIPTION
GF3021-WH	Glensford 30in x 21in D Vanity in White
GF3021-BT	Glensford 30in x 21in D Vanity in Butterscotch

REV	ECO#	DESCRIPTION	REV'D BY DATE	CHK'D BY DATE	APR'V'D BY DATE
0		New Release	IASV 5/1/17	IASV 5/1/17	IASV 5/1/17



**PROPRIETARY AND CONFIDENTIAL**  
 THE INFORMATION CONTAINED IN THIS DRAWING IS THE SOLE PROPERTY OF WOODCRAFTERS HOME PRODUCTS L.L.C. ANY REPRODUCTION IN PART OR AS A WHOLE WITHOUT THE WRITTEN PERMISSION OF WOODCRAFTERS HOME PRODUCTS L.L.C. IS PROHIBITED.

UNLESS OTHERWISE SPECIFIED  
 DIMENSIONS ARE IN mm and [inches] AND TOLERANCES ARE +/- 1.0 [0.04]

DRAWN BY:	IASV	5/1/17
CHECKED BY:	IASV	5/1/17
APPROVED BY:	IASV	5/1/17
DO NOT SCALE DRAWING	SCALE: 1:10	SIZE: A

TITLE:	<b>GLENSFORD 30" ASSEMBLY</b>	
PART NO:	PAGE 1 OF 1	REV: 0