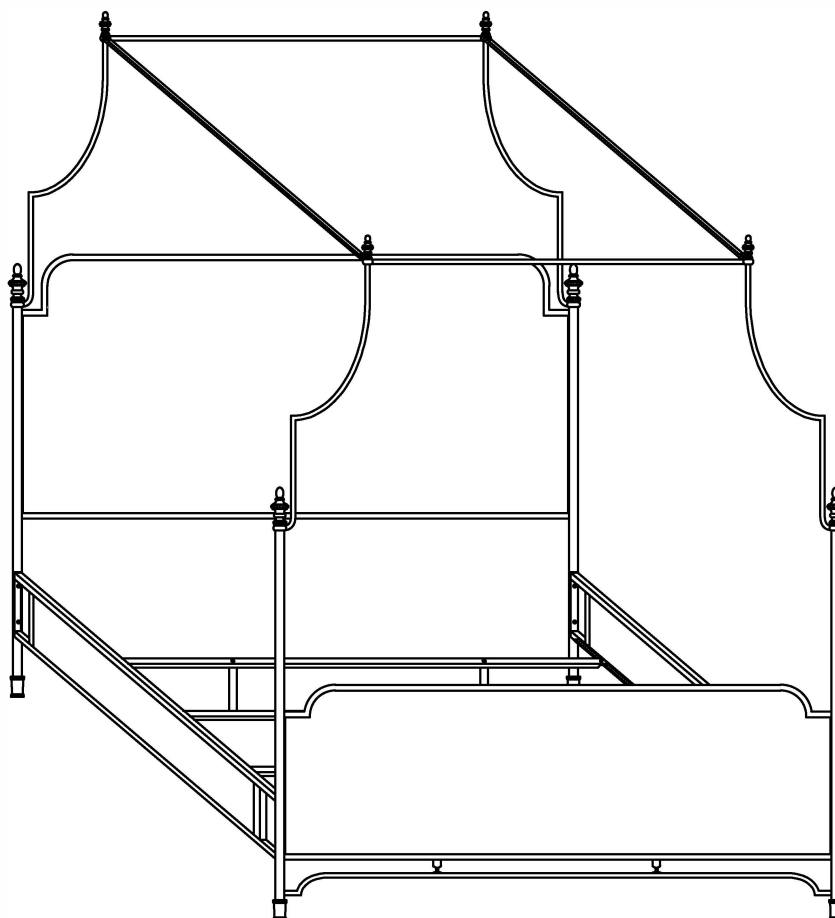


**HOME  
DECORATORS  
COLLECTION**

Item # 1004103879  
Model # 2447-660  
Item # 1004103889  
Model # 2447-650

## **USE AND CARE GUIDE**

### **ADELINA KING CANOPY BED**



**Questions, problems, missing parts?**

**Before returning to the store, call Home Decorators Collection Customer Service  
8 a.m. – 7 p.m., EST, Monday – Friday, 9 a.m. – 6 p.m., EST, Saturday**

**1-800-998-7021**

**[HOMEDEPOT.COM/HOMEDECORATORS](http://HOMEDEPOT.COM/HOMEDECORATORS)**

**1**

**THANK YOU**

*We appreciate the trust and confidence you have placed in Home Decorators Collection through the purchase of this ADELINA King Canopy Bed. We strive to continually create quality products designed to enhance your home. Visit us on-line to see our full line of products available for your home improvement needs.  
Thank you for choosing Home Decorators Collection!*

# Table of Contents

|                          |   |                        |    |
|--------------------------|---|------------------------|----|
| Table of Contents.....   | 2 | Assembly.....          | 5  |
| Safety Information.....  | 2 | Maintenance.....       | 10 |
| Warranty.....            | 2 | Care and Cleaning..... | 10 |
| What is Covered.....     | 2 |                        |    |
| What is Not Covered..... | 2 |                        |    |
| Pre-Assembly.....        | 3 |                        |    |
| Planning Assembly.....   | 3 |                        |    |
| Hardware Included.....   | 3 |                        |    |
| Package Contents.....    | 4 |                        |    |

# Safety Information



**WARNING:**Keep small parts away from children during assembly.



**WARNING:**Please confirm all parts are correct before starting the assembly process.



**WARNING:**Read and follow instructions carefully.



**WARNING:**Do not Tighten all bolts and screws completely until the entire unit has been assembled and set up.



**WARNING:**Do not let any sharp objects touch or rub the surface of the product.



**WARNING:**Be careful if using power tools as they can over tighten screws and strip threads.



**WARNING:**When assembling, do not let children play around the working area.

# Warranty

## 3 YEAR WARRANTY

### WHAT IS COVERED

We warrant the bed to be free of manufacturing defects to the original purchaser for three year.

### WHAT IS NOT COVERED

It remains the customer`s responsibility for freight and packaging charges to and from our service center. This warranty does not cover commercial use, hardware, acts of nature, fire, freezing and abusive use. In addition, purchased parts are not covered under this warranty. We reserve the right to make substitutions with similar merchandise, if the model in question is no longer in production.

# Pre-Assembly

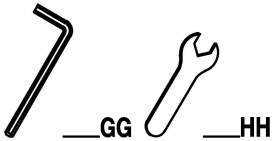
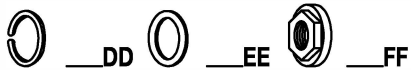
## PLANNING ASSEMBLY

Please carefully take all of the parts out of the box and lay them on a flat surface to verify that you have all of the parts. Before assembling, make sure your area is large enough to unpack, sort and assemble the unit.

## HARDWARE INCLUDED



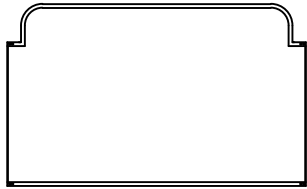
NOTE: Hardware not shown to actual size.



| Part | Hardware                 | Quantity |
|------|--------------------------|----------|
| AA   | 1/4" x 1/2" FLAT SCREW   | 28       |
| BB   | 1/4" x 1" FLAT SCREW     | 16       |
| CC   | 1/4" x 1-1/4" FLAT SCREW | 8        |
| DD   | 1/4" SPRING WASHER       | 8        |
| EE   | 1/4" METAL WASHER        | 16       |
| FF   | 1/4" HEX NUT             | 8        |
| GG   | ALLEN WRENCH             | 1        |
| HH   | OPEN WRENCH              | 1        |

# Pre-Assembly (continued)

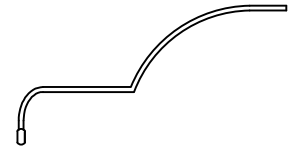
## PACKAGE CONTENTS



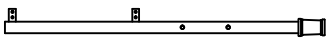
\_\_A



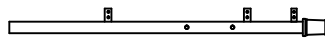
\_\_B



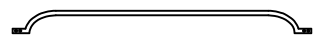
\_\_C



\_\_D



\_\_E



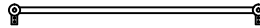
\_\_F



\_\_G



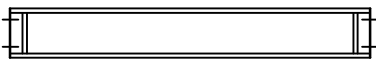
\_\_H



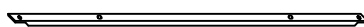
\_\_I



\_\_J



\_\_K



\_\_L



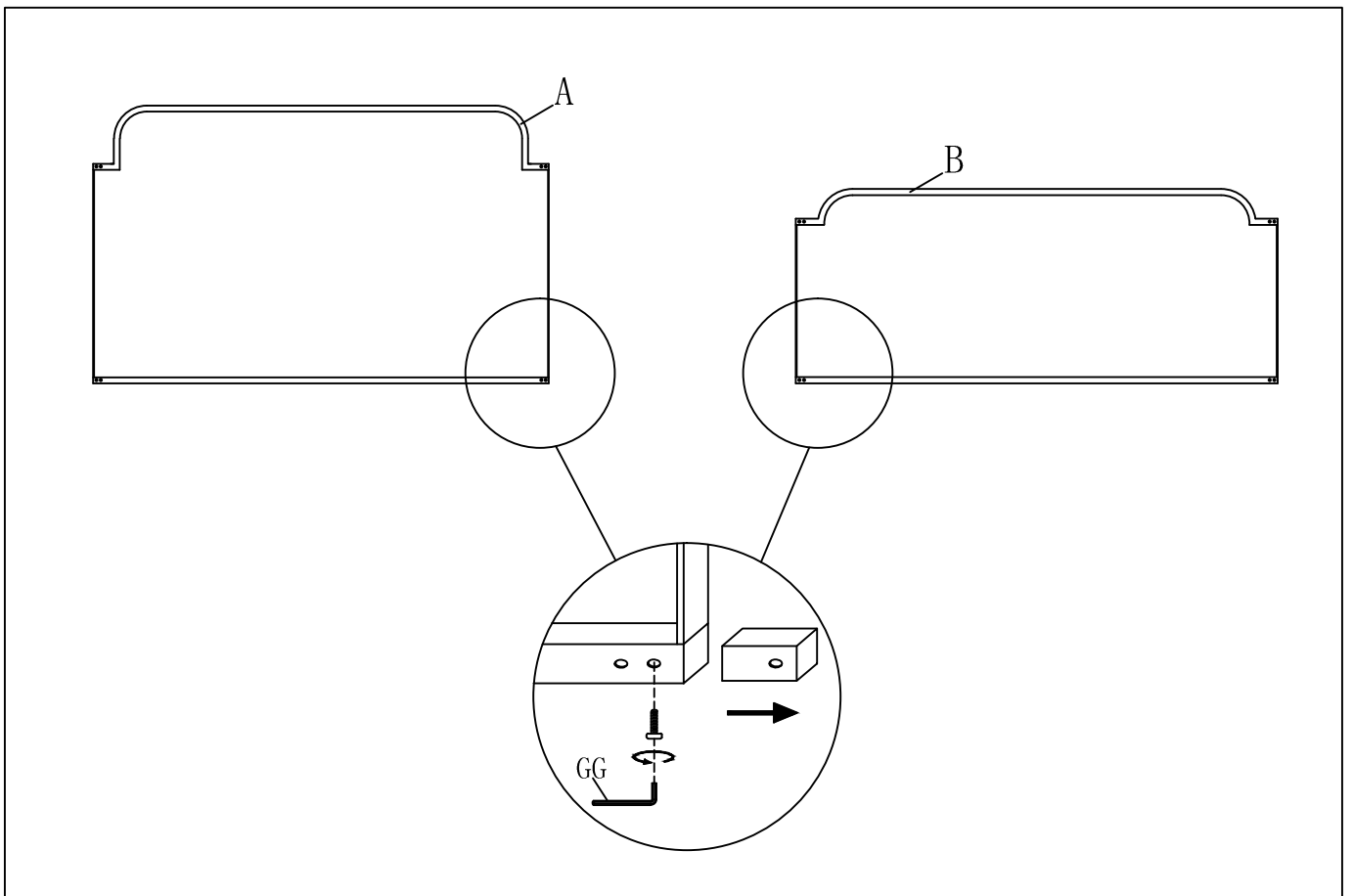
\_\_M

| Part | Components         | Quantity |
|------|--------------------|----------|
| A    | HEADBOARD          | 1        |
| B    | FOOTBOARD          | 1        |
| C    | CANOPY RAILS       | 4        |
| D    | HEADBOARD LEGS     | 2        |
| E    | FOOTBOARD LEGS     | 2        |
| F    | CROSS BAR          | 1        |
| G    | BIG FINIALS        | 4        |
| H    | SMALL FINIALS      | 4        |
| I    | SHORT CANOPY POLES | 2        |
| J    | LONG CANOPY POLES  | 2        |
| K    | SIDE RAILS         | 2        |
| L    | METAL SLATS        | 4        |
| M    | SUPPORT LEGS       | 8        |

# Assembly

## 1 Step 1 - Figure 1

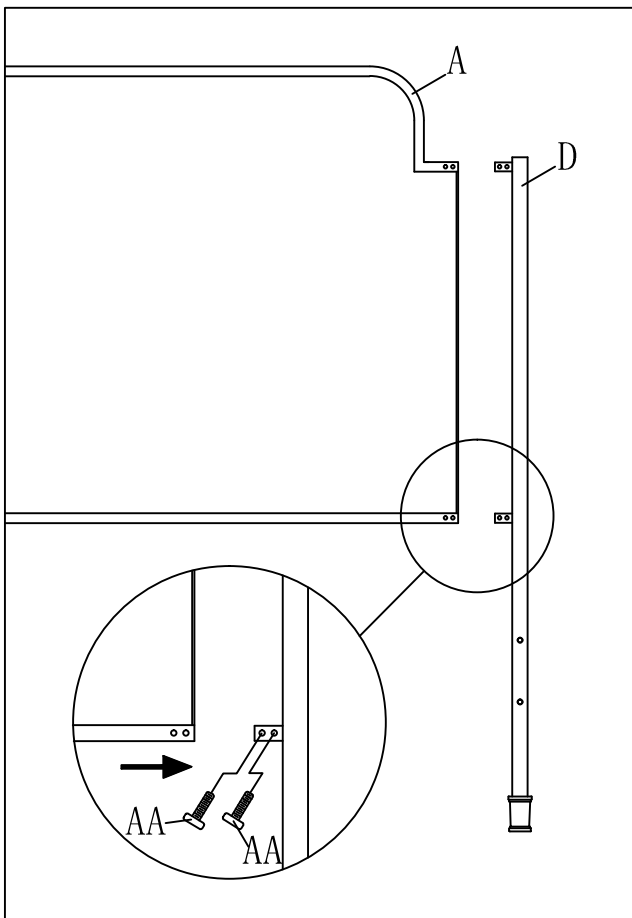
- Headboard (A) & Footboard (B) use Allen Wrench (GG) to take away wood plug. Then start assemble.



# Assembly

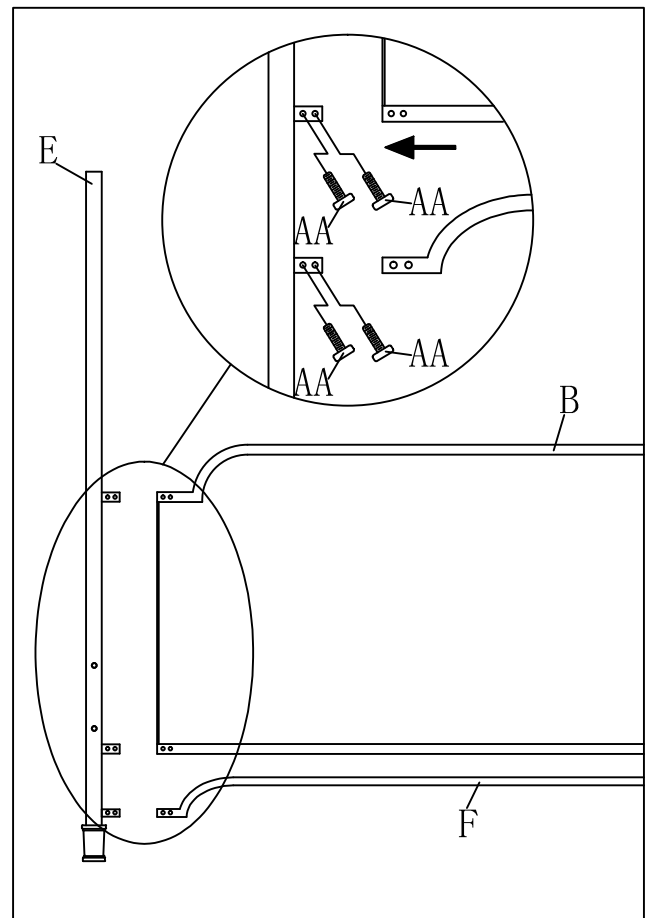
## 2 Step 2 - Figure 2

- Take Headboard (A) and Headboard Legs (D), use Flat Screw (AA) and Allen Wrench (GG) tighten together.



## 3 Step 3 - Figure 3

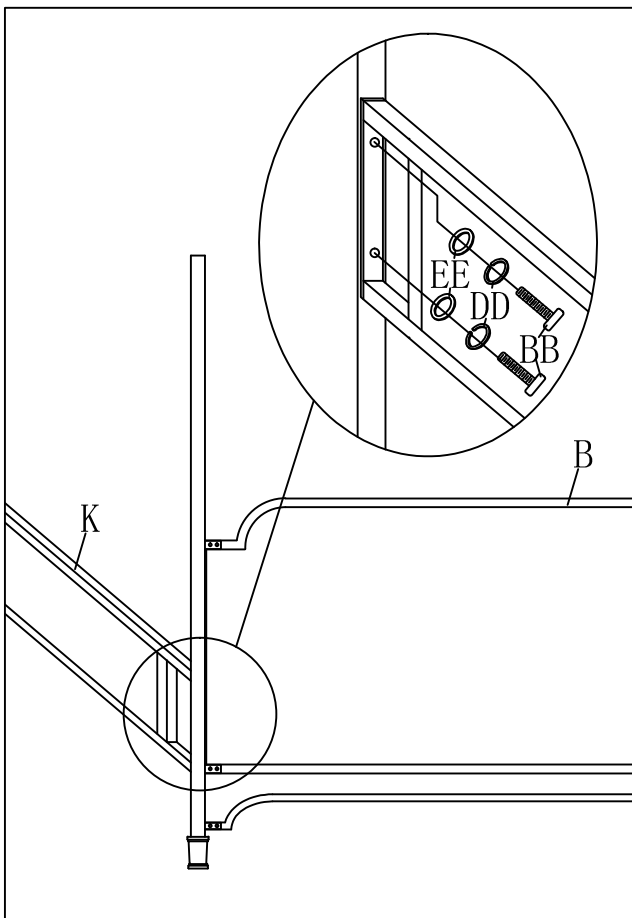
- Take Footboard (B) connect with Footboard Legs (E), use Flat Screws(AA) tighten by Allen Wrench (GG).
- Take Cross Bar (F) tighten with Footboard Legs (E), use Flat Screws (AA) with Allen Wrench (GG).



## Assembly (continued)

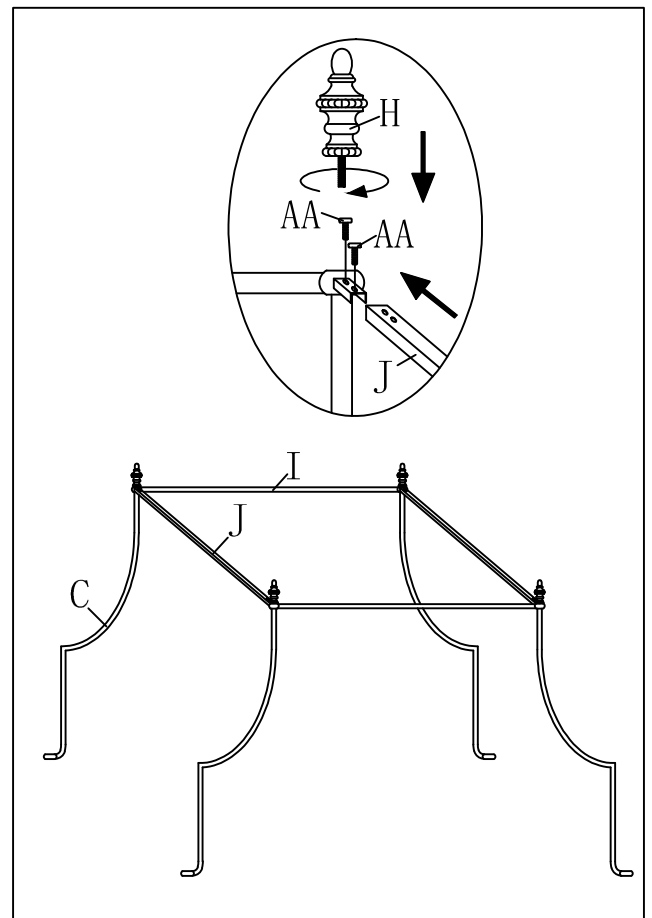
### 4 Step 4 - Figure 4

- Side Rails (K) screw with Footboard (B), use Flat Screw (BB), Spring Washers (DD) and Metal Washers (EE) with Allen Wrench (GG) tighten together.



### 5 Step 5 - Figure 5

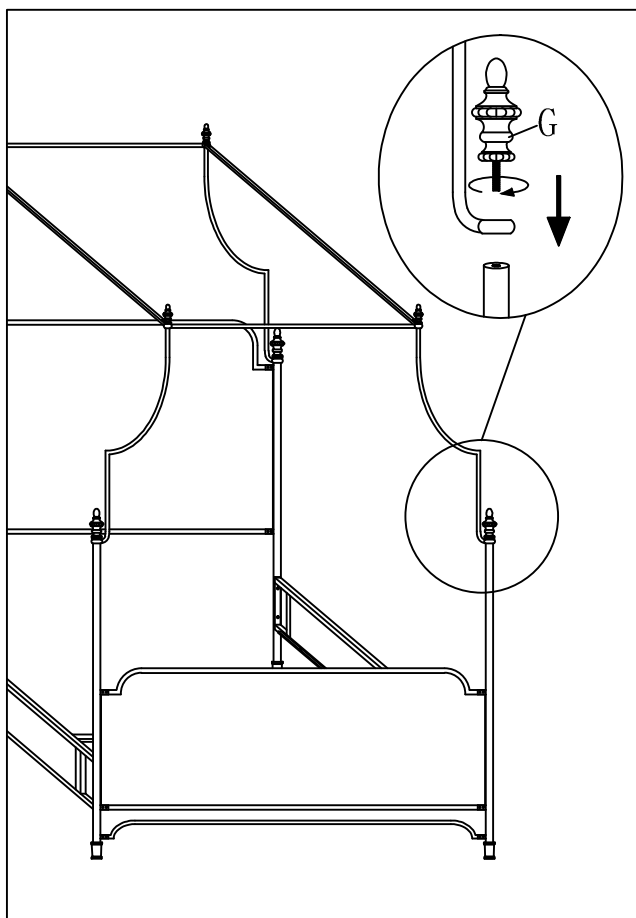
- Take Short Canopy Poles (I) and Canopy Rails (C), use Small Finials (H) tighten.
- Take Long Canopy Poles (J) connect with Short Canopy poles (I), use Flas Screws (AA) tighten with Allen Wrench (GG).



## Assembly (continued)

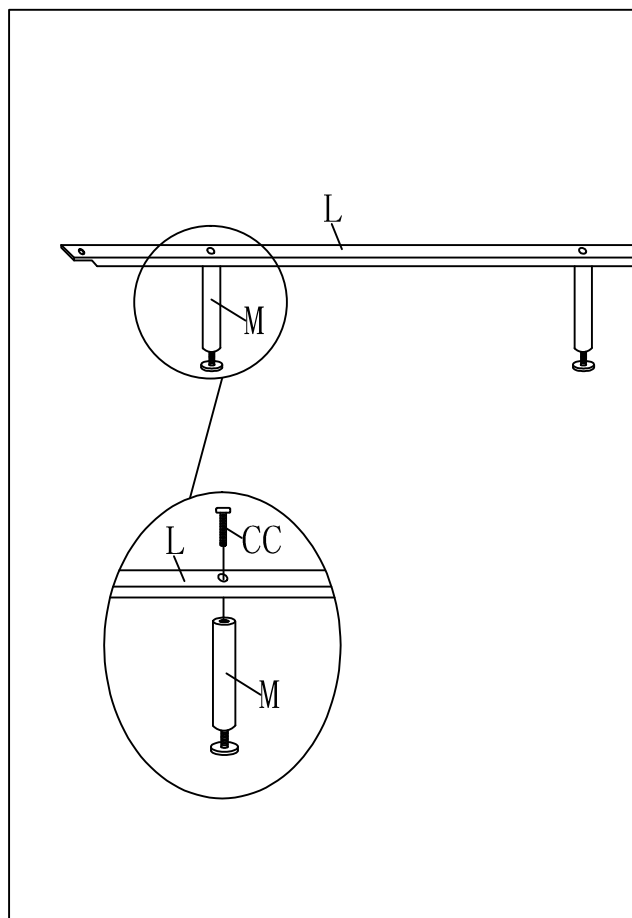
### 6 Step 6 - Figure 6

- Canopy Rails (C) lock up with Headboard Legs & Footboard legs (D & E). Tighten with Big Finials (G).



### 7 Step 7 - Figure 7

- Insert Support Leg (M) to Metal Slats (L) with Allen Bolts (CC), use Allen Wrench (GG) tighten together.

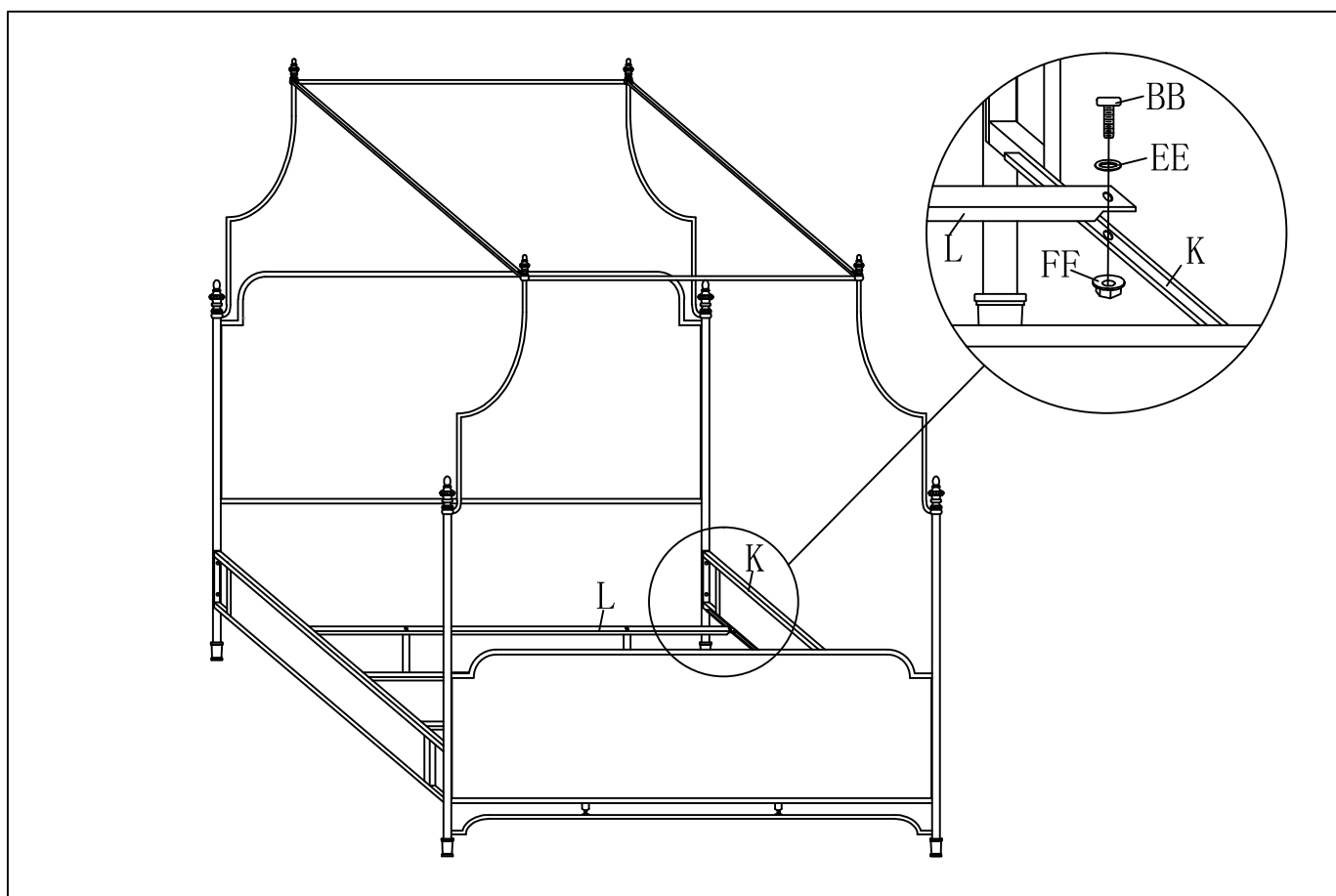




## Assembly (continued)

### 8 Step 8 - Figure 8

- Metal Slats (L) connect with Side Rails (K), use Flat Screw (BB), Metal Washers (EE) and Hex Nuts (FF) tighten with Allen Wrench (GG) and Open Wrench (HH).



## Maintenance

---

- Keep the product away from direct heat and sunlight.
- Prolonged exposure to heat sources may cause glazing, melting and scorching, or even cause color to fade.
- Regular vacuuming or light brushing helps to remove dirt and prevent soil build-up, which increases the appearance wear.
- Periodically (every 90 days) make sure that the screws are fully tightened.

## Care and Cleaning

---

- Vacuum your product regularly. Small dust particles are very abrasive and can wear furniture prematurely.
- Clean spills immediately to prevent staining. If necessary, gently wipe away the spill using a soft, clean cloth dampened with lukewarm water. Allow to dry and brush lightly.
- Never use harsh chemicals or solvents on your product as this may damage the fabric.
- If you choose to use a professional product, pretest the fabric in an inconspicuous area for any signs of discoloration or shrinking.
- Marks and stains from pens, crayons and ink markers are difficult to remove. In the event that your product becomes permanently stained, we recommend that you consult a professional.

# HOME DECORATORS COLLECTION

**Questions, problems, missing parts?  
Before returning to the store, call Home Decorators Collection Customer Service  
8 a.m. – 7 p.m., EST, Monday – Friday, 9 a.m. – 6 p.m., EST, Saturday**

**1-800-998-7021**

**[HOMEDEPOT.COM/HOMEDECORATORS](http://HOMEDEPOT.COM/HOMEDECORATORS)**

**Retain this manual for future use.**