



# LAVATORY FAUCET

- **Twist Collection**
- **Single-Handle Deck Mount**
- **Integrated Supply Lines**
- **1-Hole Installation**

## STANDARD SPECIFICATIONS

- Ceramic disc cartridge
- Metal push pop-up assembly
- Flexible inlet with 3/8" female compression connection
- NEOPERL® aerator 1.5gpm max @ 60psi

## FINISHES INCLUDE

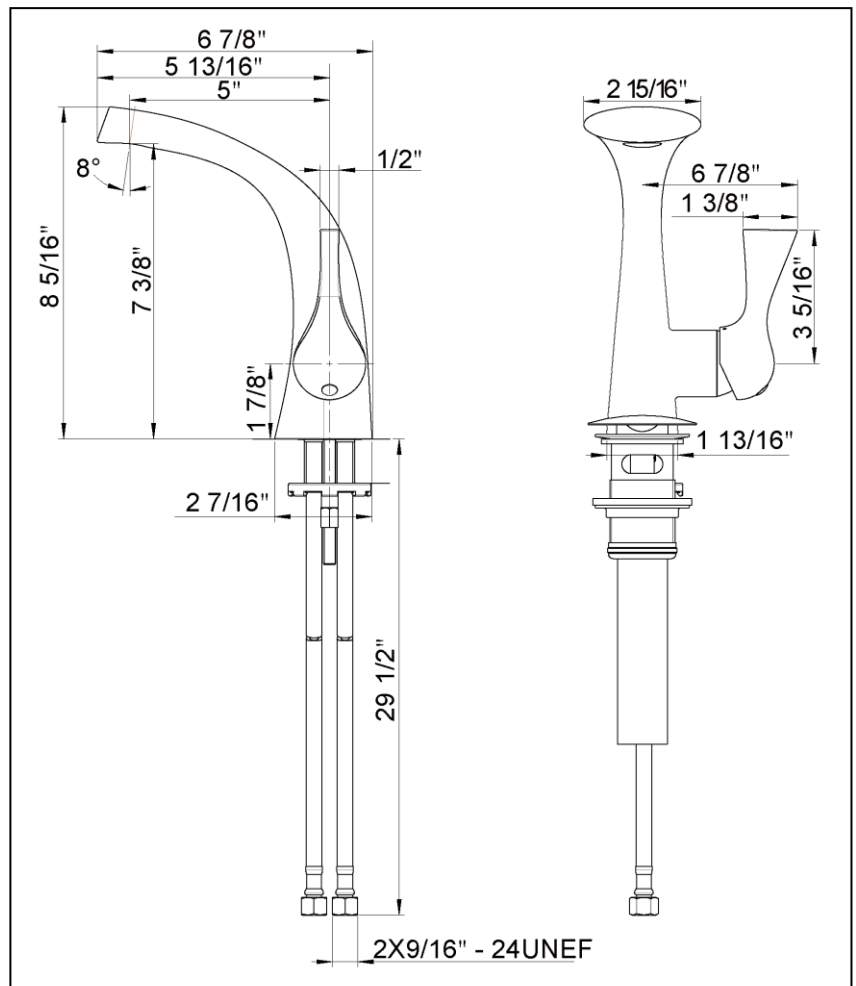
- Chrome (UF35110)
- Brushed nickel (UF35113)

## WARRANTY

- Limited lifetime warranty on workmanship and materials to the original purchaser

## COMPLIES WITH

- NSF 61-9
- ASME A112.18.1
- CSA B125.1
- cUPC
- AB1953
- WaterSense
- CALGreen



tel. 888-OK-ULTRA (658-5872) • fax. 949-225-6099 • <http://www.ultrafaucets.com>

This specification is provided for reference only. Ultra Faucets reserves the right to modify specifications and materials without notice or obligation.