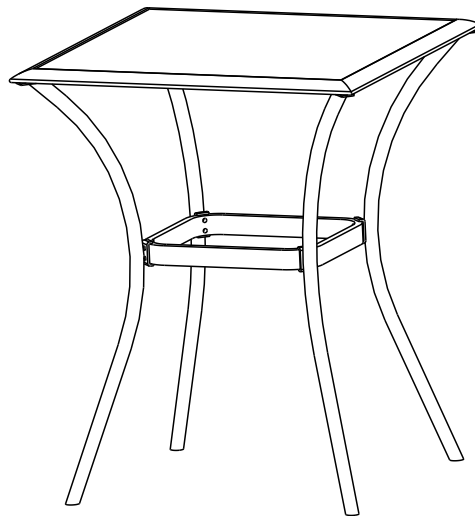




Item # 1000 051 147
YOW SKU # 658 862
Model #153-120-3BAL

USE AND CARE GUIDE

POSADA 3 PIECE BALCONY SET (TABLE)



Questions, problems, missing parts? Before returning to the store,
call Hampton Bay Customer Service
8.00 a.m. - 6.00 p.m., EST, Monday - Friday

1-855-HD-HAMPTON

HAMPTONBAY.COM




THANK YOU

We appreciate the trust and confidence you have placed in Hampton Bay through the purchase of this 3-piece balcony set. We strive to continually create quality products designed to enhance your home. Visit us online to see our full line of products available for your home improvement needs. Thank you for choosing Hampton Bay!

Table of Contents

Table of Contents.....	2	Pre-Assembly.....	3
Safety Information.....	2	Planning Assembly.....	3
Warranty.....	2	Hardware Included.....	3
Two Year Frame and Weave Limited Warranty.....	2	Package Contents.....	4
What Is Covered.....	2	Assembly.....	5
What Is Not Covered.....	2		
Care Instructions.....	2		

Safety Information

-  **DANGER:** Please keep children out of the assembly area during assembly.
-  **WARNING:** Do not sit or stand on the table. Do not put heavy objects on the table.
-  **CAUTION:** Use the table on flat ground only.

Warranty

TWO YEAR FRAME AND WEAVE LIMITED WARRANTY

WHAT IS COVERED

We warrant the frame and weave to be free of manufacturing defects to the original buyer for two years.

WHAT IS NOT COVERED

It remains the customer's responsibility for freight and packaging charges to and from our service center. This warranty does not cover commercial use, hardware, acts of nature, fire, freezing and abusive use. In addition, purchased parts are not covered under this warranty. We reserve the right to make substitutions with similar merchandise, if the model in question is no longer in production.

Care Instructions

Before using, wipe with a clean, dry cloth. Do not use bleach or solvents. Treat frame with liquid wax for maximum protection against UV light and salty, damp air. When not in use, store furniture in a cool, dry place. When cleaning the tabletop make sure to use a soft clean cloth that does not bleed color. Please periodically check the tightness of bolts on the table.

You may contact our customer service department with any questions by phone at 1-855-HD-HAMPTON or visit www.hamptonbay.com.

Pre-Assembly

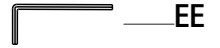
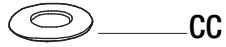
PLANNING ASSEMBLY

It will take two people about 10 minutes to complete the assembly process.

HARDWARE INCLUDED



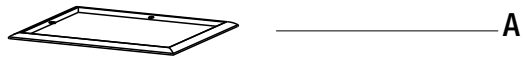
NOTE: Hardware not shown to actual size.



Part	Description	Quantity
AA	Bolt (M6x20)	4
BB	Bolt (M6x25)	8
CC	Washer	12
DD	Bolt cap	12
EE	Wrench	1

Pre-Assembly (continued)

PACKAGE CONTENTS

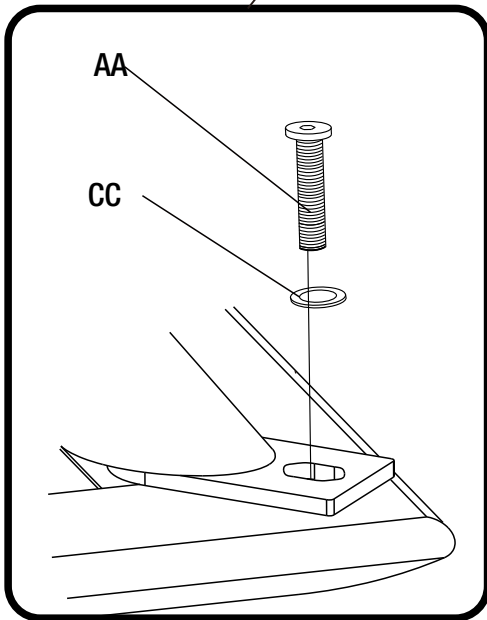
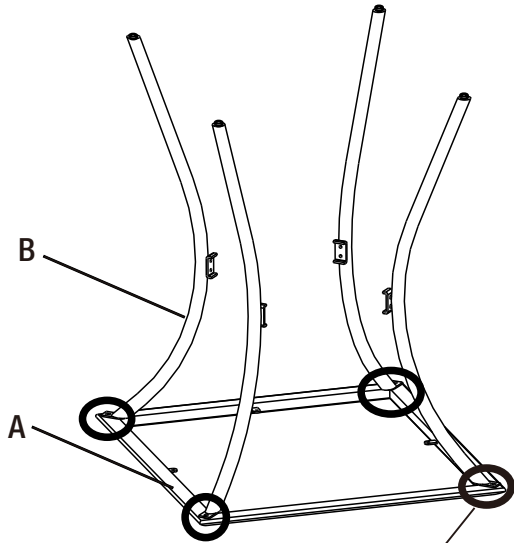


Part	Description	Quantity
A	Table rim	1
B	Table leg	4
C	Leg connector bracket	1
D	Glass	1

Assembly

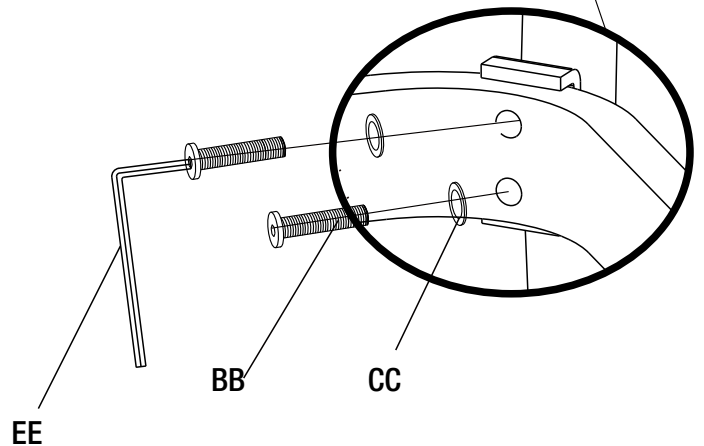
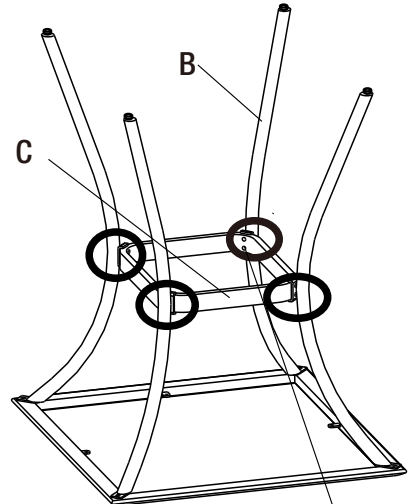
1 Attaching the table legs

- Remove the glass (D) and set aside.
- Place the table rim (A) upside down on a flat, smooth surface.
- Attach the table legs (B) to the table rim (A) with washers (CC) and bolts (AA). Hand tighten bolts (AA) only.



2 Attaching the leg connector bracket

- Attach the table legs (B) to the leg connector bracket (C) with washers (CC) and bolts (BB).
- Completely tighten all the bolts (AA and BB) using the wrench (EE).

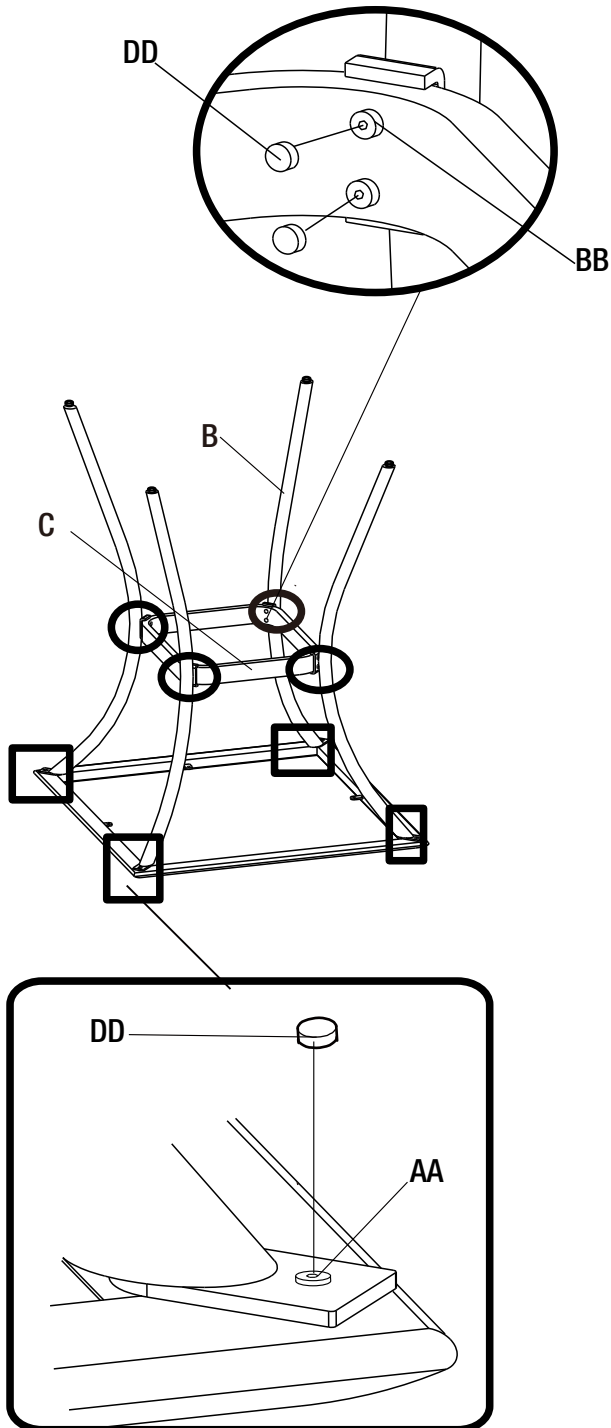


IMPORTANT: For successful assembly please make sure the arrows on the leg connector and the table top are on the same side.

Assembly

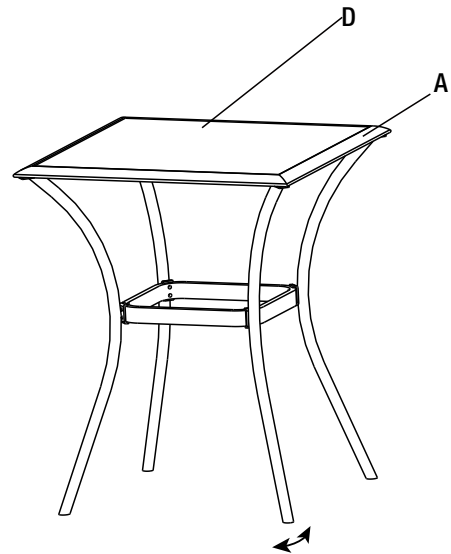
3 Covering the bolts

- Cover all the bolts (AA and BB) with bolt caps (DD).



4 Placing the glass

- Turn the table upright.
- Inset the glass (D) in the table rim (A).
- Adjust foot glides to stabilize the table.





Questions, problems, missing parts? Before returning to the store,
call Hampton Bay Customer Service
8.00 a.m. – 6.00 p.m., EST, Monday-Friday

1-855-HD-HAMPTON

HAMPTONBAY.COM

Retain this manual for future use.