

CADET™ 5' X 32" WHIRLPOOL & BATHING POOL

- 2770.018W Whirlpool featuring System I**
 - Acrylic with fiberglass reinforcement
 - Pre-leveled tub bottom
 - Form-fitted backrest position
 - Dual, molded in arm rests
 - 1.25 HP single speed, self-draining pump/motor
 - Factory installed power cord with plug
 - Eight multi-directional and flow-adjustable jets including:
 - Two foot jets
 - Four body massage jets
 - Two recessed back-rest jets
 - Deck-mounted air switch On/Off
 - Two silent air volume controls
 - Factory installed and tested whirlpool system

- 2770.018WC EverClean™ Whirlpool Massage Featuring System I:**
 - Same as 2770.018W except with the EverClean™ whirlpool system featuring Antimicrobial AlphaSan®

2770.002 Bathing Pool only

Nominal Dimensions:

1521 x 806 x 502mm
(59-7/8" x 31-3/4" x 19-3/4")

Compliance Certifications -

Meets or Exceeds the Following Specifications:

- Underwriters Laboratories - Hydromassage Bathtubs UL 1795
- ASME A112.19.7M for Whirlpool Appliances
- ANSI Z124.1 for Plastic Bathtubs
- ASTM E162 for Flammability
- NFPA 258 for Smoke Density



To Be Specified - Required:

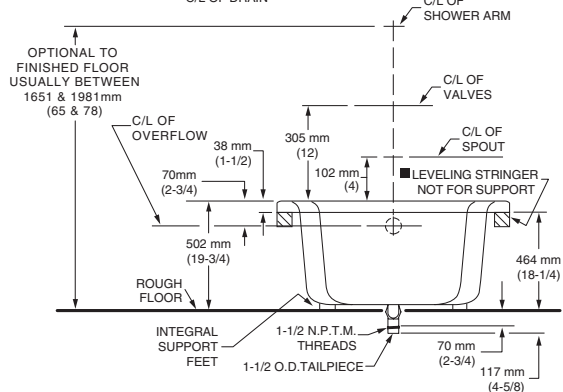
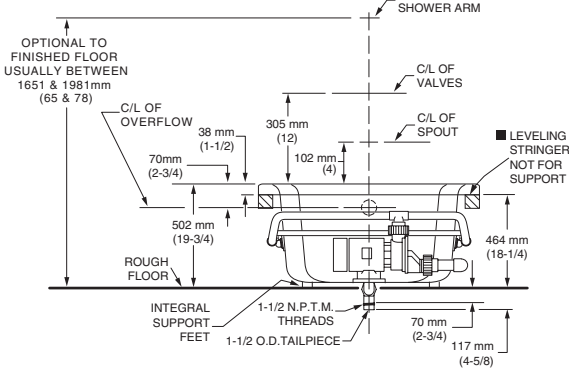
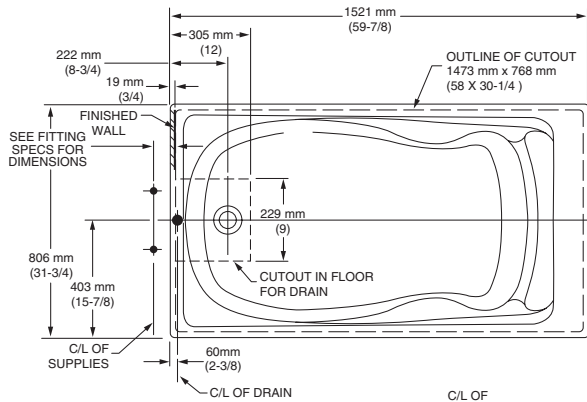
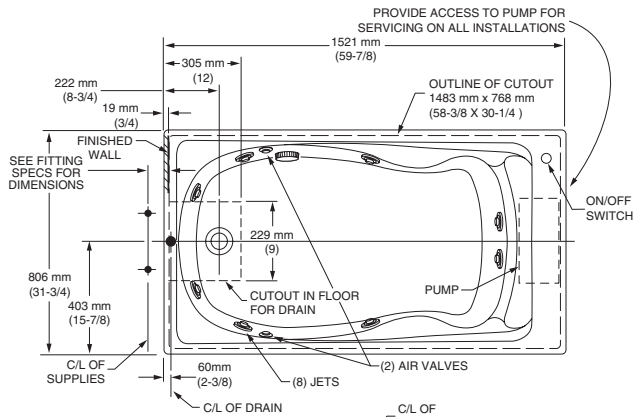
- Color:
- Bath Filler: (specify finish)
- Bath Drain: 1583.470 (specify finish)

To Be Specified - Optional:

- 5 Foot Acrylic Apron: 9360.018 (specify color)
- 5 Foot Apron: 9260.018 (specify color)
- Bath Caddy: 9533.100 (in Chrome only)
- Jet Trim Ring Kit: 9860.200-two per kit (Specify finish) for Body Massage Jets only
- Universal Tile Bead Kit: 751755-100
- Grab Bar Kit: 9822.200-two per kit (specify finish)

For color/finish availability and other faucet choices, please see the Product Selector and Pricing Guide.

SEE REVERSE FOR ROUGHING-IN DIMENSIONS
AND PRODUCT SPECIFICATIONS



GENERAL SPECIFICATIONS FOR 2770 WHIRLPOOL

INSTALLED SIZE _____ 59-7/8 x 31-3/4 x 19-3/4 In. (1521 x 806 x 502mm)
 WEIGHT _____ 85 Lbs. (39 Kg.)
 WEIGHT w/WATER _____ 535 Lbs. (243 Kg.)
 GAL. TO OVERFLOW _____ 54 Gal. (204 L.)
 MIN. OPERATING GAL. _____ 49 Gal. (186 L.)
 BATHING WELL AT SUMP _____ 20 x 40 In. (508mm x 1016mm)
 BATHING WELL AT RIM _____ 53-1/2 x 26 In. (1359mm x 699mm)
 WATER DEPTH TO OVERFLOW _____ 14 In. (356mm)
 FLOOR LOADING _____ 41 Lbs./Sq. Ft. (197 Kgs/Sq. m.)
 (PROJECTED AREA)
 PTS. _____ 15.6
 CUBE (FT³) _____ 29.6

WHIRLPOOL ELECTRICAL SPECIFICATIONS

SYSTEM I PUMP _____ 1.1 HP, 9.9 AMPS, 120V.

GENERAL SPECIFICATIONS FOR 2770 BATHING POOL

INSTALLED SIZE _____ 59-7/8 x 31-3/4 x 19-3/4 In. (1521mm x 806 mm x 502mm)
 WEIGHT _____ 62 Lbs. (28 Kg.)
 WEIGHT w/WATER _____ 512 Lbs. (233 Kg.)
 GAL. TO OVERFLOW _____ 54 Gal. (204 L.)
 BATHING WELL AT SUMP _____ 20 x 40 In. (508mm x 1016mm)
 BATHING WELL AT RIM _____ 53-1/2 x 26 In. (1359mm x 699mm)
 WATER DEPTH TO OVERFLOW _____ 14 In. (356mm)
 FLOOR LOADING _____ 39 Lbs./Sq. Ft. (189 Kgs/Sq. m.)
 (PROJECTED AREA)
 PTS. _____ 15.6
 CUBE (FT³) _____ 29.6

NOTES:

BATH CAN BE INSTALLED EITHER ABOVE OR BELOW FLOOR LINE AS PIER, ISLAND, OR PENINSULA TYPE INSTALLATION. SUMP OF BATH IS SUPPORTED BY INTEGRAL FEET. NO ADDITIONAL SUPPORT REQUIRED. ENCLOSING MATERIAL BY OTHERS.

■ REFER TO INSTALLATION INSTRUCTIONS SUPPLIED WITH WHIRLPOOL FOR ADDITIONAL INFORMATION.

OPTIONAL 3 WALL TILING BEAD. KIT AND APRON NO. 9260.018 OR 9360.018 AVAILABLE AND MUST BE ORDERED SEPARATELY.

FITTINGS NOT INCLUDED AND MUST BE ORDERED SEPARATELY.

PROVIDE SUITABLE REINFORCEMENT FOR ALL SUPPORTS.

IMPORTANT: Dimensions of fixtures are nominal and may vary within the range of tolerances established by ANSI Standard Z124.1 These measurements are subject to change or cancellation. No responsibility is assumed for use of superseded or voided leaflet.