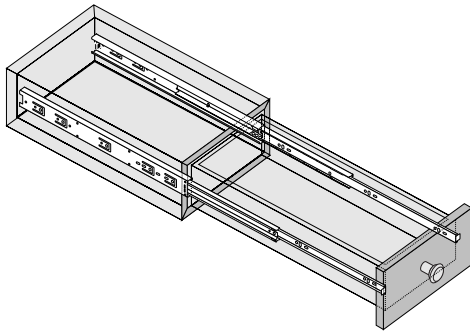
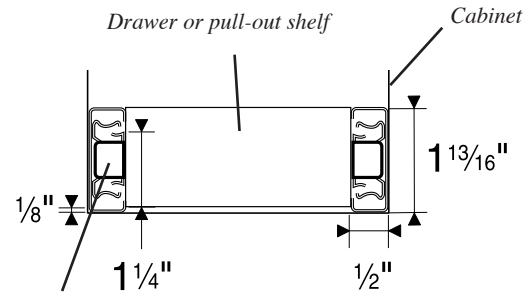


Drawer Slides

D806 Series



SPECIFICATIONS



Side mount drawer slide

Ball-Bearing Side-Mount Drawer Slides

Before You Begin

- Read the Do-It-Yourself Installation Instructions completely before starting.
- Make sure all parts are included.

Parts List

- 2 Side-Mount Drawer Slides
- 12 #6 x 7/16 pan head wood screws

Recommended Tools

- Screwdriver
- Pencil or Scribe
- Ruler
- Level

Data

- 100 lb. Capacity per pair
- Length of 14", 16", 18", 20", 22", 24"

Specifications

Drawer or Pull-Out-Shelf (For TV, VCR and Stereo Equipment)

- Drawer pull-out shelf must be 1/2" narrower than cabinet opening on each side.
- Top and bottom of drawer or pull-out-shelf bottom should have 1/8" minimum clearance from the cabinet opening.

1. Installing Cabinet Members to Cabinet

Press release lever to disconnect drawer members. Using a level place and align cabinet member into position and place side flush with the cabinet edge. Fasten each slide with three #6 pan head wood screws. You will need to move the slide member back and forth to access the screw holes. For supporting heavy objects use five #8-32 machine screws and inserts to avoid tear out of slide.

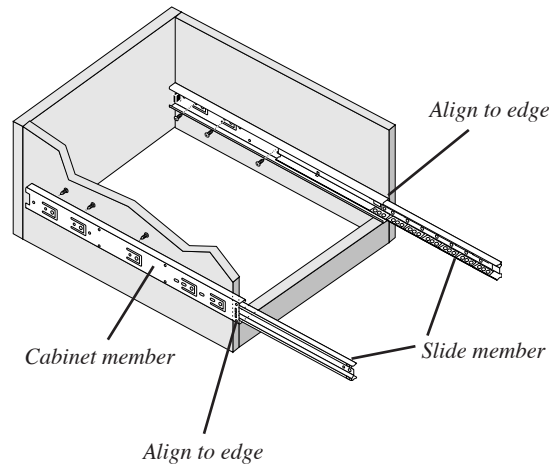
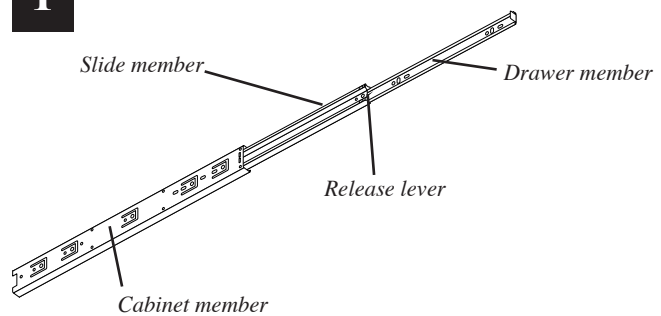
2. Installing Drawer Members to Drawer or Pull-Out-Shelf

On drawer place and align drawer member into position. Place drawer member end flush with the drawer overlay. Fasten each drawer member with three #6 pan head wood screws.

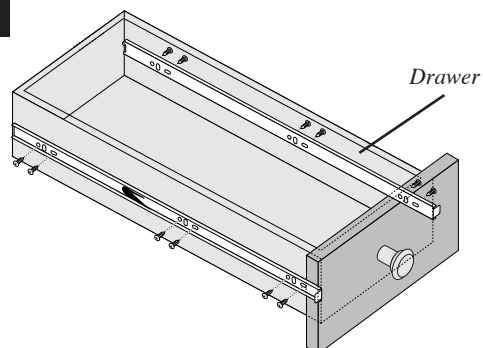
3. Inserting Drawer

Insert drawer into cabinet and close. The drawer slide release lever will lock as drawer is closed. Make sure drawer aligns properly and rides smoothly on the side mount drawer slides.

1



2



D806 Series Continued

Face Frame Drawer Socket/Bracket For D806 Series Full-Extension Ball-Bearing Drawer Slides (Available in 14"-24" lengths, sold separately)

Slide/Socket Parameters

- Proper installation of sockets will assure equally spaced and level drawer slides. This is essential for optimum slide performance.

1. Measurement

The left and right drawer slides must have the same height. This measurement is taken from the bottom of the cabinet (see step 1, ill. A, right). Record this measurement for the installation process. The front of the drawer slides must be level with the rear of the drawer slides (see step 1, ill. B, right). Position the drawer slides, as they will be mounted in cabinet. Measure the distance between the front side rails of the drawer slides. This measurement is the width of the drawer slides. Use this measurement to calculate the correct distance between the rear sockets. Record all measurements for installation process (see step 1, ill. C, right).

2. Installation

Socket/Slide Bracket to Drawer Slide

Slip socket onto the rear of each drawer slide. Make sure that the drawer slide is fully seated (bottoms out) in the sockets. Position front drawer slide mounting bracket flush to the front of the side rail and fully extend drawer slide (see step 2, ill. A, below). Align holes in drawer slide with front mounting bracket and fasten bracket to the side rail using (2) #6 x 5/8" pan head screws (provided).

Drawer Slide to Cabinet

Position front drawer slide mounting bracket against the inside of the cabinet face using the height measurements recorded in step 1. Make sure that the corner of front bracket is flush with the inside corner of the cabinet face by pushing front bracket forward to seat it with the inside corner of cabinet face (see step 2, ill. B, below). Hold front mounting bracket in place and fasten mounting bracket to inside of cabinet face using (2) ea. #6 x K" pan head screws (provided). Do not staple. Push sockets against the rear of the cabinet. Using the measurements recorded in step 1, align the left and right rear drawer slide with left and right front drawer slide (see step 1, ill. C, right). Make sure that left and right drawer slides are parallel to each other. Fasten socket to the rear of the cabinet using vertical holes and (1) ea. #6 x 5/8" pan head screws (provided). Do not tighten completely, snug will do.

3. Adjustment

Adjust Socket

With the drawer closed, check the alignment of drawer relative to the case. If necessary, adjust the socket position vertically to correct for gaps. Install additional #6 x 5/8" pan head screws into remaining holes of sockets to secure the sockets in the desired position. The drawer front should fit flush with the cabinet face.

