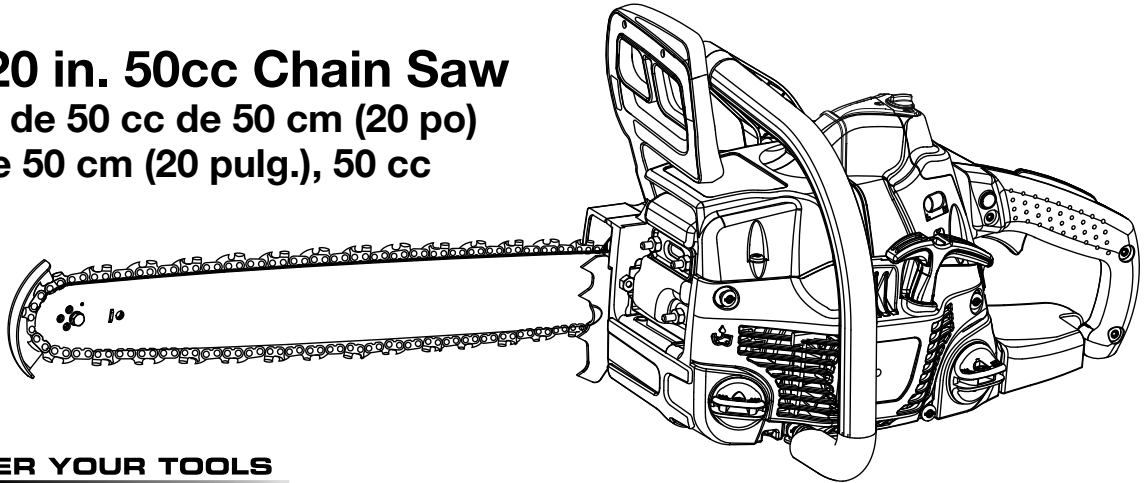




# OPERATOR'S MANUAL MANUEL D'UTILISATION MANUAL DEL OPERADOR

**RY5020 / 20 in. 50cc Chain Saw**  
Scie à chaîne de 50 cc de 50 cm (20 po)  
Motosierra de 50 cm (20 pulg.), 50 cc



**REGISTER YOUR TOOLS**  
 <http://register.ryobitools.com>  
1-800-860-4050

**ENGINE FAMILY: \*HCPS.0505CA**  
**FAMILLE DE MOTEUR : \*HCPS.0505CA**  
**FAMILIA DE MOTOR: \*HCPS.0505CA**

## NOTICE AVIS AVISO

Do not use E15 or E85 fuel in this product. It is a violation of federal law and will damage the unit and void your warranty. Only use unleaded gasoline containing up to 10% ethanol.

Ne pas utiliser d'essence E15 ou E85 dans ce produit. Une telle utilisation représente une violation de la loi fédérale et endommagera l'appareil et annulera la garantie. Utiliser seulement de l'essence sans plomb ne contenant pas plus de 10 % d'éthanol.

No utilice combustibles E15 o E85 con este producto. Esto constituye una violación a la ley federal, dañará la unidad y anulará la garantía. Utilice únicamente gasolina sin plomo que contiene hasta 10% de etanol.



Your chain saw has been engineered and manufactured to Ryobi's high standard for dependability, ease of operation, and operator safety. When properly cared for, it will give you years of rugged, trouble-free performance.

**⚠ WARNING:** To reduce the risk of injury, the user must read and understand the operator's manual before using this product.

Thank you for buying a Ryobi product.

## SAVE THIS MANUAL FOR FUTURE REFERENCE

Cette scie à chaîne a été conçue et fabriquée conformément aux strictes normes de fiabilité, simplicité d'emploi et sécurité d'utilisation de Ryobi. Correctement entretenue, elle vous donnera des années de fonctionnement robuste et sans problème.

Su motosierra ha sido diseñada y fabricada de conformidad con las estrictas normas de Ryobi para brindar fiabilidad, facilidad de uso y seguridad para el operador. Con el debido cuidado, le brindará muchos años de sólido y eficiente funcionamiento.

**⚠ AVERTISSEMENT :** Pour réduire les risques de blessures, l'utilisateur doit lire et veiller à bien comprendre le manuel d'utilisation avant d'employer ce produit.

**⚠ ADVERTENCIA:** Para reducir el riesgo de lesiones, el usuario debe leer y comprender el manual del operador antes de usar este producto.

Merci d'avoir acheté un produit Ryobi.

Le agradecemos la compra de un producto Ryobi.

**CONSERVER CE MANUEL POUR  
FUTURE RÉFÉRENCE**

**GUARDE ESTE MANUAL PARA  
FUTURAS CONSULTAS**

# TABLE OF CONTENTS

## TABLE DES MATIÈRES / ÍNDICE DE CONTENIDO

■ Introduction .....	2
Introduction / Introducción	
■ General Safety Rules .....	3-4
Règles de sécurité générales / Reglas de seguridad generales	
■ Specific Safety Rules .....	4-5
Règles de sécurité particulières / Reglas de seguridad específicas	
■ Symbols .....	6-7
Symboles / Símbolos	
■ Glossary of Terms .....	8
Glossaire / Glosario de términos	
■ Features .....	9-10
Caractéristiques / Características	
■ Assembly .....	11
Assemblage / Armado	
■ Operation .....	11-24
Utilisation / Funcionamiento .....	
	11-25
■ Maintenance .....	25-37
Entretien / Mantenimiento .....	
	26-39
■ Bar and Chain Combinations .....	38
Vue éclatée et liste des pièces / Vista desarrollada y lista de piezas .....	
	40
■ Troubleshooting .....	38-39
Dépannage / Corrección de problemas .....	
	40-41
■ Warranty .....	40
Garantie / Garantía .....	
	42
■ Parts Ordering and Service .....	Back Page
Commande de pièces et réparation / Pedidos de piezas y servicio .....	
	Page arrière / Pág. posterior

## INTRODUCTION

### INTRODUCCIÓN / INTRODUCCIÓN

This product has many features for making its use more pleasant and enjoyable. Safety, performance, and dependability have been given top priority in the design of this product making it easy to maintain and operate.

\* \* \*

Ce produit offre de nombreuses fonctions destinées à rendre son utilisation plus plaisante et satisfaisante. Lors de la conception de ce produit, l'accent a été mis sur la sécurité, les performances et la fiabilité, afin d'en faire un outil facile à utiliser et à entretenir.

\* \* \*

Este producto ofrece numerosas características para hacer más agradable y placentero su uso. En el diseño de este producto se ha conferido prioridad a la seguridad, el desempeño y la fiabilidad, por lo cual se facilita su manejo y mantenimiento.

# GENERAL SAFETY RULES

## **WARNING:**

**Read and understand all instructions.** Failure to follow all instructions listed below, may result in electric shock, fire and/or serious personal injury.

## READ ALL INSTRUCTIONS

- **Know your tool.** Read the operator's manual carefully. Learn the saw's applications and limitations as well as the specific potential hazards related to this tool.
- **Kickback may occur when the nose or tip of the guide bar touches an object,** or when the wood closes in and pinches the saw chain in the cut. Tip contact in some cases may cause a lightning-fast reverse reaction, kicking the guide bar up and back toward the operator. Pinching the saw chain along the top of the guide bar may push the guide bar rapidly back toward the operator. Either of these reactions may cause you to lose control of the saw, which could result in serious personal injury. Do not rely exclusively upon the safety devices built into the saw. As a chain saw user, you should take several steps to keep your cutting jobs free from accident or injury.
  - With a basic understanding of kickback, you can reduce or eliminate the element of surprise. Sudden surprise contributes to accidents.
  - Keep a good firm grip on the saw with both hands when the engine is running. Place your right hand on the rear handle and your left hand on the front handle with your thumbs and fingers encircling the chain saw handles. A firm grip together with a stiff left arm will help you maintain control of the saw if kickback occurs.
  - Make sure that the area in which you are cutting is free from obstructions. DO NOT let the nose of the guide bar contact a log, branch, fence, or any other obstruction that could be hit while you are operating the saw.
  - Cut at high engine speeds. Always cut with the engine running at full speed. Fully squeeze the throttle trigger and maintain a steady cutting speed.
- Do not overreach or cut above chest height.
- Follow the manufacturer's sharpening and maintenance instructions for the saw chain.
- Only use replacement bars and chains specified by the manufacturer or the equivalent.
- **Do not operate a chain saw with one hand.** Serious injury to the operator, helpers, bystanders, or any combination of these persons may result from one-handed operation. A chain saw is intended for two-handed use.
- **Do not operate a chain saw when you are fatigued.** Fatigue causes carelessness. Never operate a chain saw when you are tired, upset, or under the influence of medication, drugs, or alcohol.
- **Stay alert -** Watch what you are doing and use common sense when operating a chain saw. A moment of inattention while operating the chain saw may result in death or serious personal injury.
- **Chain saw work can be strenuous.** If you have a medical condition that may be aggravated or a disability that may prevent you from safely operating and controlling the chain saw, check with your doctor before using the chain saw.
- **Use safety footwear.** Wear snug-fitting clothing, protective gloves, and eye, hearing, and head protection devices.
- **Heavy protective clothing may increase operator fatigue, which could lead to heat stroke.** During weather that is hot and humid, heavy work should be scheduled for early morning or late afternoon hours when temperatures are cooler.
- **Do not stand on any unstable surface** while using the chain saw, such as ladders, scaffolds, trees, etc.
- **Use caution when handling fuel.** Move the chain saw at least 30 feet from the fueling point before starting the engine.
- **Do not allow other persons to be near the chain saw when starting or cutting with the chain saw.** Keep bystanders and animals out of the work area.
- **Do not start cutting until you have a clear work area,** secure footing, and a planned retreat path from the falling tree.

## GENERAL SAFETY RULES

- **Keep all parts of your body away from the saw chain** when the engine is running.
- **Always carry the chain saw with the engine stopped and the brake engaged**, the guide bar and saw chain to the rear, and the muffler away from your body. When transporting the chain saw, use the appropriate guide bar scabbard.
- **Do not operate a chain saw that is damaged**, improperly adjusted, or not completely and securely assembled. Be sure that the saw chain stops moving when the throttle control trigger is released.
- **Shut off the engine before setting the chain saw down.** Do not leave the engine running unattended. As an additional safety precaution, apply the chain brake prior to setting down the saw.
- **Use extreme caution when cutting small-size brush and saplings** because slender material may catch the saw chain and be whipped toward you or pull you off balance.
- **When cutting a limb that is under tension**, be alert for springback so that you will not be struck when the tension in the wood fibers is released.
- **Keep the handles dry**, clean, and free of oil or fuel mixture.
- **Do not start or operate the engine in a confined space, building, near open windows, or in other unventilated space where dangerous carbon monoxide fumes can collect.** Carbon monoxide, a colorless, odorless, and extremely dangerous gas, can cause unconsciousness or death.
- **Do not operate a chain saw in a tree** unless you have been specifically trained to do so.
- **Do not cut from a ladder, rooftop, or other unstable support;** this is extremely dangerous.
- **All chain saw service**, other than the items listed in the instruction manual and all maintenance, should be performed by competent chain saw service personnel. (For example, if improper tools are used to remove the flywheel or if an improper tool is used to hold the flywheel in order to remove the clutch, structural damage to the flywheel could occur and subsequently could cause the flywheel to burst.)
- **Always have a fire extinguisher available** when using chain saw.
- **Use only the replacement guide bars and low kickback chains** specified for the saw.
- **Do not adapt the powerhead to a bow guide** or use it to power any attachments or devices not listed for the saw.
- **The gas powered saw is classified by CSA Z62.1-15 as a Class 1C saw.** It is intended for infrequent use by homeowners, cottagers, and campers, and for such general applications as clearing, pruning, cutting firewood, etc. It is not intended for prolonged use. Prolonged periods of operation can cause circulatory problems in the user's hands due to vibration.
- **Save these instructions.** Refer to them frequently and use to instruct other users. If you loan someone this tool, loan them these instructions also.

## SPECIFIC SAFETY RULES

### **WARNING:**

The warnings, labels, and instructions found in this section of the operator's manual are for your safety. Failure to follow all instructions may result in serious personal injury.

- **Do not cut vines** and/or small underbrush (a diameter of less than 3 in.).

- **Muffler surfaces are very hot during and after operation of the chain saw;** keep all body parts away from the muffler. Serious burns may occur if contact is made with the muffler.
- **Always hold the chain saw with both hands when the engine is running.** Use a firm grip with thumbs and fingers encircling the chain saw handles.

# SPECIFIC SAFETY RULES

- **Never let anyone use the chain saw who has not received adequate instructions in its proper use.** This applies to rentals as well as privately owned saws.
- **Before you start the engine,** make sure the saw chain is not contacting any object.
- **Wear snug-fitting clothing.** Always wear heavy long pants, boots, and gloves. Do not wear jewelry, short pants, sandals, or go barefoot. Do not wear loose fitting clothing, which could be drawn into the engine or catch the chain or underbrush. Wear overalls, jeans, or chaps made of cut-resistant material or ones that contain cut-resistant inserts. Secure hair so that it is above shoulder level.
- **Wear non-slip safety footwear and heavy-duty gloves** to improve your grip and to protect your hands.
- **Wear eye protection with side shields marked to comply with ANSI Z87.1, along with hearing and head protection,** when operating this equipment.
- **Keep bystanders and animals out of the work area.** Do not allow other persons to be nearby during starting or cutting with the chain saw.  
**NOTE:** The size of the work area depends on the job being performed as well as the size tree or workpiece involved. For example, felling a tree requires a larger work area than making other cuts (i.e., bucking cuts, etc.).
- **Keep SAFE-T-TIP anti-kickback nose guard properly mounted on the guide bar** to prevent rotational kickback.
- **Follow the sharpening and maintenance instructions** for the saw chain.
- **Never operate a chain saw that is damaged, improperly adjusted, or is not completely and securely assembled.** Be sure that the saw chain stops moving when the throttle control trigger is released. If the saw chain moves at idle speed, the carburetor may need adjusting. Refer to **Adjusting the Carburetor** in the *Maintenance* section of this manual. If the saw chain still moves at idle speed after adjustment has been made, contact a qualified service center

for adjustment and discontinue use until the repair is made.

- **This product is intended for infrequent use by homeowners and other occasional users** for general applications such as clearing, pruning, cutting firewood, etc. It is not intended for prolonged use. Prolonged periods of operation can cause circulatory problems in the user's hands due to vibration. For such use, it may be appropriate to use a product having an anti-vibration feature.

## REFUELING (DO NOT SMOKE!)

- **To reduce the risk of fire and burn injury,** handle fuel with care. It is highly flammable.
- **Mix and store fuel** in a container approved for gasoline.
- **Mix fuel outdoors** where there are no sparks or flames.
- **Select bare ground, stop the engine, and allow it to cool** before refueling.
- **Loosen the fuel cap slowly** to release pressure and to keep fuel from escaping around the cap.
- **Tighten the fuel cap securely** after refueling.
- **Wipe spilled fuel from the unit.** Move 30 feet away from refueling site before starting engine.
- **Never attempt to burn off spilled fuel** under any circumstances.




## KICKBACK

- **Kickback is a dangerous reaction that can lead to serious injury.** Do not rely only on the safety devices provided with the saw. As a chain saw user, you must take special safety precautions to help keep your cutting jobs free from accident or injury. See the *General Safety Rules* and *Operation* sections of this manual for added information on kickback and how to avoid serious personal injury.
- **CAUTION:** Do not use a replacement saw chain unless it has been designated as meeting the kickback performance requirements in ANSI/OPEI B175.1-2012 on that specific power head, or has been designated as low-kickback replacement saw chain in accordance with ANSI/OPEI B175.1-2012









## SAVE THESE INSTRUCTIONS

# SYMBOLS

The following signal words and meanings are intended to explain the levels of risk associated with this product.








SYMBOL	SIGNAL	MEANING
	<b>DANGER:</b>	Indicates an hazardous situation, which, if not avoided, will result in death or serious injury.
	<b>WARNING:</b>	Indicates a hazardous situation, which, if not avoided, could result in death or serious injury.
	<b>CAUTION:</b>	Indicates a hazardous situation, that, if not avoided, may result in minor or moderate injury.
	<b>NOTICE:</b>	(Without Safety Alert Symbol) Indicates information considered important, but not related to a potential injury (e.g. messages relating to property damage).

Some of the following symbols may be used on this tool. Please study them and learn their meaning. Proper interpretation of these symbols will allow you to operate the tool better and safer.

SYMBOL	NAME	DESIGNATION/EXPLANATION
	Safety Alert	Indicates a potential personal injury hazard.
	Read Operator's Manual	To reduce the risk of injury, user must read and understand operator's manual before using this product.
	Wear Eye, Hearing, and Head Protection	Wear eye protection with side shields marked to comply with ANSI Z87.1 as well as hearing and head protection when operating this equipment.
	Keep Tool Away from Electrical Lines/Keep Bystanders Away	<b>DANGER!</b> Risk of electrocution! Keep tool 50 feet away from electrical lines. Keep all bystanders at least 50 ft. away or twice the height of the largest trees in the felling area when felling.
	SAFE-T-TIP™ Nose Guard	The SAFE-T-TIP™ nose guard on the guide bar helps prevent kickback.
	Operate With Two Hands	Hold and operate the saw properly with both hands.
	One Handed	Do not operate the saw using only one hand.
	Bar Nose Contact	Avoid bar nose contact.

# SYMBOLS

Some of the following symbols may be used on this tool. Please study them and learn their meaning. Proper interpretation of these symbols will allow you to operate the tool better and safer.

SYMBOL	NAME	DESIGNATION/EXPLANATION
	Kickback	DANGER! BEWARE OF KICKBACK.
	Wear Gloves	Wear non-slip, heavy-duty protective gloves when handling the chain saw.
	Wear Safety Footwear	Wear non-slip safety footwear when using this equipment.
	No Smoking	No smoking, sparks, or open flame.
	Carbon Monoxide	Engines produce carbon monoxide which is an odorless, deadly poison. Do not operate in an enclosed area.
	Keep Bystanders Away	Keep all bystanders and animals at least 50 ft. away.
	Gasoline and Lubricant	Use unleaded gasoline intended for motor vehicle use with an octane rating of 87 [(R + M)/2] or higher. This product is powered by a 2-cycle engine and requires pre-mixing gasoline and 2-cycle lubricant.

# GLOSSARY OF TERMS

## **Automatic Oiler System**

Lubrication is provided by the automatic oiler system. The oiler is driven by the sprocket and adds lubrication only when the chain is moving.

## **Bucking**

The process of cross cutting a felled tree or log into lengths.

## **Chain Brake**

A device used to stop the saw chain.

## **Chain Saw Powerhead**

A chain saw without the saw chain and guide bar.

## **Clutch**

A mechanism for connecting and disconnecting a driven member to and from a rotating source of power.

## **Drive Sprocket or Sprocket**

The toothed part that drives the saw chain.

## **Felling**

The process of cutting down a tree.

## **Felling Back Cut**

The final cut in a tree felling operation made on the opposite side of the tree from the notching undercut.

## **Front Handle**

The support handle located at or toward the front of the chain saw. This handle is for the left hand.

## **Front Handle Guard**

A structural barrier between the front handle of a chain saw and the guide bar, typically located close to the hand position on the front handle, and sometimes employed as an activating lever for a chain brake.

## **Guide Bar**

A solid railed structure that supports and guides the saw chain.

## **Kickback**

The backward or upward motion, or both, of the guide bar occurring when the saw chain near the nose of the top area of the guide bar contacts any object such as a log or branch, or when the wood closes in and pinches the saw chain in the cut.

## **Kickback (Pinch)**

The rapid pushback of the saw which can occur when the wood closes in and pinches the moving saw chain in the cut along the top of the guide bar.

## **Kickback (Rotational)**

The rapid upward and backward motion of the saw which can occur when the moving saw chain near the upper portion of the tip of the guide bar contacts an object, such as a log or branch.

## **Low-Kickback Chain**

A low kickback saw chain is a chain that has met the kickback performance requirements of ANSI/OPEI B175.1-2012 when tested according to the provisions specified in ANSI/OPEI B175.1-2012.

## **Normal Cutting Position**

Those positions assumed in performing the bucking and felling cuts.

## **Notching Undercut**

A notch cut in a tree that directs the tree's fall.

## **Rear Handle**

The support handle located at or toward the rear of the saw. It normally contains the throttle. This handle is for the right hand.

## **Reduced Kickback Guide Bar**

A guide bar which has been demonstrated to reduce kickback significantly.

## **Replacement Saw Chain**

A chain that complies with the kickback performance requirements of ANSI B175.1 when tested with specific chain saws.

## **SAFE-T-TIP™ Anti-Kickback Nose Guard**

An attachment that may be provided on the end of the guide bar to prevent the chain at the end of the guide bar from contacting the wood.

## **Saw Chain**

A loop of chain having cutting teeth that cut the wood, and that is driven by the sprocket and is supported by the guide bar.

## **Springpole**

A small tree (sapling) or limb that is bent or trapped under tension. It may "spring back" rapidly when cut, causing a dangerous situation.



# FEATURES

## PRODUCT SPECIFICATIONS

Bar length ..... 20 in.  
 Chain pitch ..... .325 in.  
 Chain gauge ..... .050 in.  
 Chain type ..... Standard  
 Chain drive links ..... 78  
 Drive sprocket ..... 7-tooth

Engine displacement ..... 50cc  
 Idle engine speed ..... 2,600-3,400 r/min. (RPM)  
 Fuel tank capacity ..... 19.4 oz.  
 Chain lubricant tank capacity ..... 11.8 oz.  
 Weight - No bar, chain, fuel or lubricant... 11 lbs.

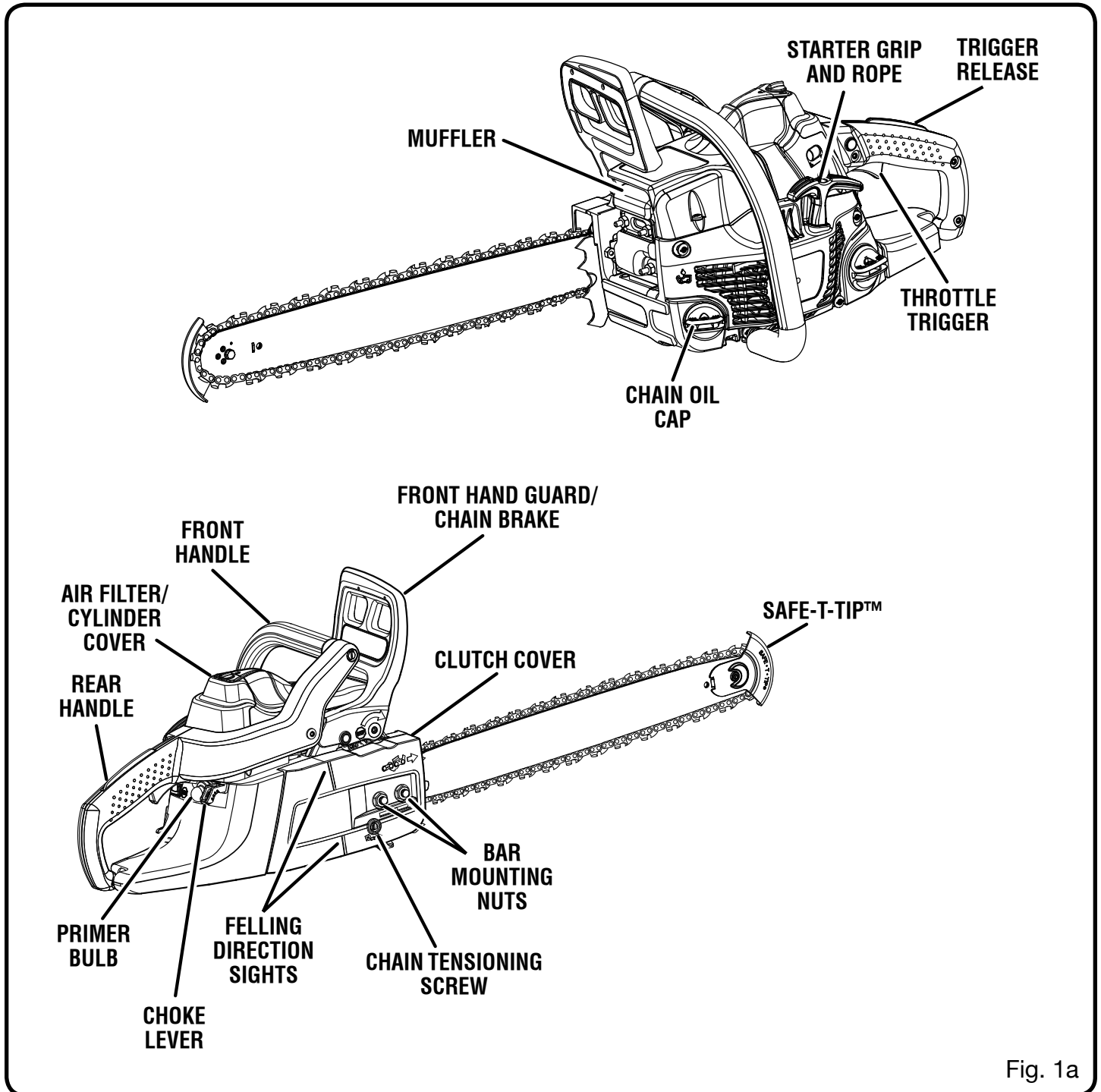


Fig. 1a

# FEATURES

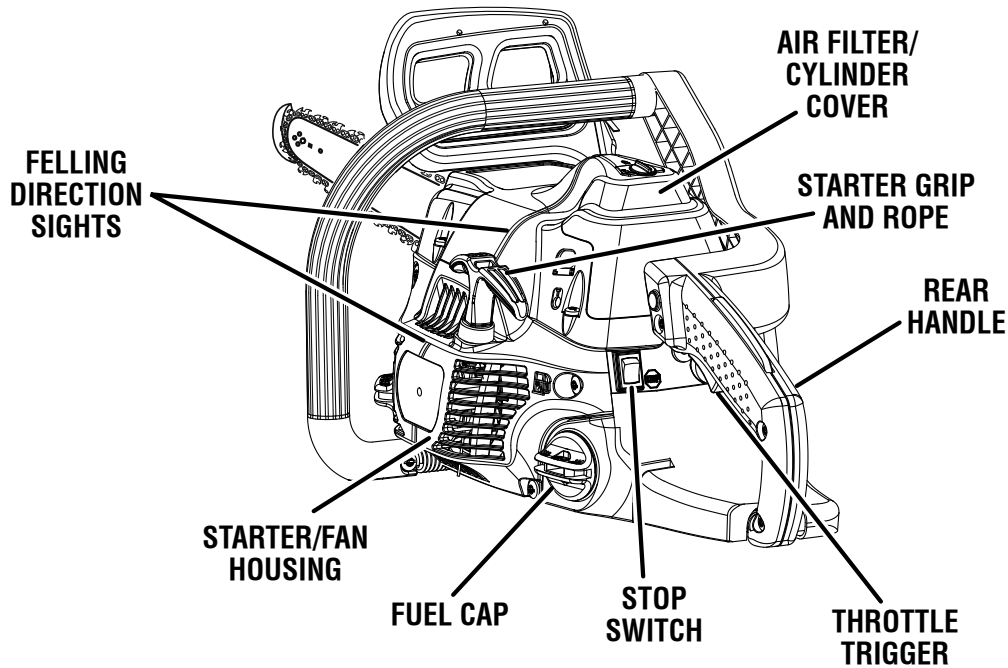


Fig. 1b

## KNOW YOUR CHAIN SAW

See Figures 1a - 1b.

The safe use of this product requires an understanding of the information on the product and in this operator's manual as well as a knowledge of the project you are attempting. Before use of this product, familiarize yourself with all operating features and safety rules.

## CHOKE LEVER

The choke lever opens and closes the choke valve in the carburetor. Positions available include FULL CHOKE and RUN.

## FELLING DIRECTION SIGHTS

The felling direction sights helps you keep the saw aligned properly during tree felling.

## FRONT HAND GUARD/CHAIN BRAKE

The chain brake is designed to quickly stop the chain from rotating. When the front hand guard/chain brake is pushed toward the bar, the chain should stop immediately. The chain brake does not prevent kickback.

## GUIDE BAR

The factory-equipped guide bar has a small radius tip that offers a somewhat lower kickback potential.

## LOW KICKBACK SAW CHAIN

The low kickback saw chain helps minimize the force of a kickback reaction by preventing the cutters from digging in too deeply at the kickback zone.

## PRIMER BULB

The primer bulb pumps fuel from the fuel tank to the carburetor.

## SAFE-T-TIP™ ANTI-KICKBACK NOSE GUARD

The SAFE-T-TIP™ Anti-Kickback Nose Guard is an attachment provided on the end of the guide bar to prevent the chain on the end of the guide bar from contacting the wood.

## THROTTLE TRIGGER

The throttle trigger is used for controlling chain rotation.

# ASSEMBLY

## UNPACKING

This product has been shipped completely assembled.

- Carefully remove the product and any accessories from the box. Make sure that all items listed in the packing list are included.

### **WARNING:**

Do not use this product if it is not completely assembled or if any parts appear to be missing or damaged. Use of a product that is not properly and completely assembled could result in serious personal injury.

- Inspect the product carefully to make sure no breakage or damage occurred during shipping.
- Do not discard the packing material until you have carefully inspected and satisfactorily operated the product.
- If any parts are damaged or missing, please call 1-800-860-4050 for assistance.

## PACKING LIST

Chain Saw  
Scabbard  
Combination Wrench  
2-Cycle Engine Lubricant  
Carrying Case  
Operator's Manual

### **WARNING:**

If any parts are damaged or missing do not operate this product until the parts are replaced. Use of this product with damaged or missing parts could result in serious personal injury.

### **WARNING:**

Do not attempt to modify this product or create accessories not recommended for use with this product. Any such alteration or modification is misuse and could result in a hazardous condition leading to possible serious personal injury.

**NOTE:** The chain saw has been fully factory tested. It is normal to find some slight lubricant residue on the saw. Read and remove all hang tags and store with the Operator's Manual.

# OPERATION

### **DANGER:**

Never cut near power lines, electric cords, or other electric sources. If bar and chain jams on any electrical cord or line, **DO NOT TOUCH THE BAR OR CHAIN! THEY CAN BECOME ELECTRICALLY LIVE AND VERY DANGEROUS.** Continue to hold the chain saw by the insulated rear handle or lay it down and away from you in a safe manner. Disconnect the electrical service to the damaged line or cord before attempting to free the bar and chain from the line or cord. Contact with the bar, chain, other conductive parts of the chain saw, or live electric cords or lines will result in death by electrocution, electric shock, or serious personal injury.

### **WARNING:**

Do not allow familiarity with this product to make you careless. Remember that a careless fraction of a second is sufficient to inflict serious injury.

### **WARNING:**

Muffler surfaces are very hot during and after operation of the chain saw; keep all body parts away from the muffler. Serious burns could occur if contact is made with the muffler.

# OPERATION

## **WARNING:**

Always wear eye protection with side shields marked to comply with ANSI Z87.1, along with hearing and head protection. Failure to do so could result in objects being thrown into your eyes and other possible serious injuries.

## **WARNING:**

Do not use any attachments or accessories not recommended by the manufacturer of this product. The use of attachments or accessories not recommended can result in serious personal injury.

## **WARNING:**

This product is equipped with a spark arrestor that has been evaluated by the USDA Forest Service; however, product users must comply with Federal, State, and local fire prevention regulations. Check with appropriate authorities. Contact customer service or a qualified service center to purchase a replacement spark arrestor.

## **WARNING:**

Never fell a tree or cut a log or limb that has a diameter greater than the length of the guide bar. Only properly trained professionals should perform these cuts. Performing these types of cuts can cause an accident and result in death or serious personal injury.

## **NOTICE:**

Before each use, inspect the entire product for damaged, missing, or loose parts such as screws, nuts, bolts, caps, etc. Tighten securely all fasteners and caps and do not operate this product until all missing or damaged parts are replaced. Please contact customer service or a qualified service center for assistance.

## **APPLICATIONS**

You may use this product for the purposes listed below:

- Basic limbing, felling, and woodcutting

## **FUEL AND REFUELING**

### **HANDLING THE FUEL SAFELY**

## **WARNING:**

Check for fuel leaks. A leaking fuel cap is a fire hazard and must be replaced immediately. If you find any leaks, correct the problem before using the product. Failure to do so could result in a fire that could cause serious personal injury.

- Always handle fuel with care; it is highly flammable.
- Always refuel outdoors and do not inhale fuel vapors.
- Do not let gasoline or lubricant come in contact with skin.
- Keep gasoline and lubricant away from the eyes. If gasoline or lubricant comes in contact with the eyes, wash them immediately with clean water. If irritation is still present, see a doctor immediately.
- Clean up spilled fuel immediately.

Refer to **Refueling** in the *Specific Safety Rules* section of this manual for additional safety information.

## **ETHANOL-BLENDED FUELS**

### **NOTICE:**

**Do not use E15 or E85 fuel in this product. It is a violation of federal law and will damage the unit and void your warranty. Only use unleaded gasoline containing up to 10% ethanol.**

**NOTE:** To improve performance when using ethanol-blended fuels, we recommend the use of Ethanol Shield 2-cycle lubricant.

## **MIXING THE FUEL**

This product is powered by a 2-cycle engine and requires pre-mixing gasoline and 2-cycle lubricant. Pre-mix unleaded gasoline and 2-cycle engine

# OPERATION

lubricant in a clean container approved for gasoline. DO NOT mix quantities larger than usable in a 30-day period.

Recommended fuel: This engine is certified to operate on unleaded gasoline intended for automotive use.

**NOTE:** We recommend you use Ethanol Shield 2-cycle lubricant or an equivalent high-quality synthetic 2-cycle lubricant in this product. Mix at 2.6 oz. per gallon (US).

Do not use automotive lubricant or 2-cycle outboard lubricant.

## HIGH QUALITY 2-CYCLE ENGINE LUBRICANT (50:1)



### GASOLINE

1 Gallon (US)  
1 Liter

### LUBRICANT

2.6 oz.  
20 cc (20 ml)

## FILLING THE FUEL TANK

See Figure 2.

### **WARNING:**

Gasoline and its vapors are highly flammable and explosive. To prevent serious personal injury and property damage, handle it with care. Keep away from ignition sources and open flames, handle outdoors only, do not smoke, and wipe up spills immediately.

- Clean the surface around the fuel cap to prevent contamination.
- Loosen the fuel cap slowly, by turning counter-clockwise.
- Carefully pour the fuel mixture into the tank. Avoid spillage.

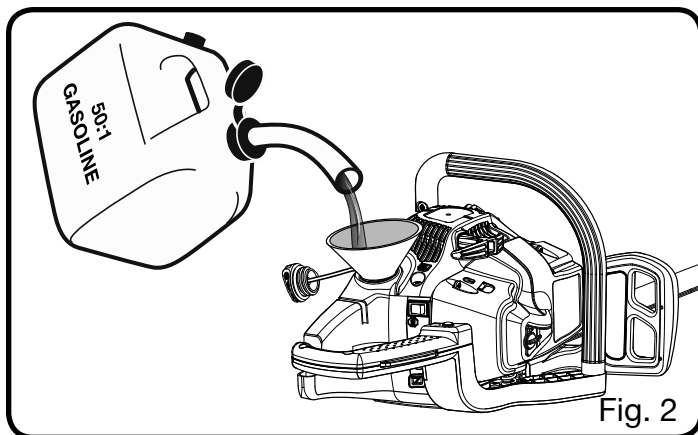


Fig. 2

- Prior to replacing the fuel cap, clean and inspect the o-ring.
- Immediately replace the fuel cap and hand tighten, by turning clockwise. Wipe up any fuel spillage.
- Move at least 30 ft. away from refueling area before starting the product.

**NOTE:** It is normal for the engine to emit smoke during and after the first use.

### **WARNING:**

Always shut off engine before fueling. Never remove fuel cap or add fuel to a machine with a running or hot engine. Make sure unit is sitting on a flat, level surface and only add fuel outdoors. If the engine is hot, allow to cool for at least five minutes before adding fuel. Immediately replace fuel cap after fueling and tighten securely. Move at least 30 ft. from refueling site before starting the engine. Do not smoke and stay away from open flames and sparks. Failure to follow these instructions can result in a fire and possible serious personal injury.

## ADDING BAR AND CHAIN LUBRICANT

See Figure 3.

Use a bar and chain lubricant designed for lubricating chain saw chains. They are formulated to extend bar and chain life by protecting against wear and

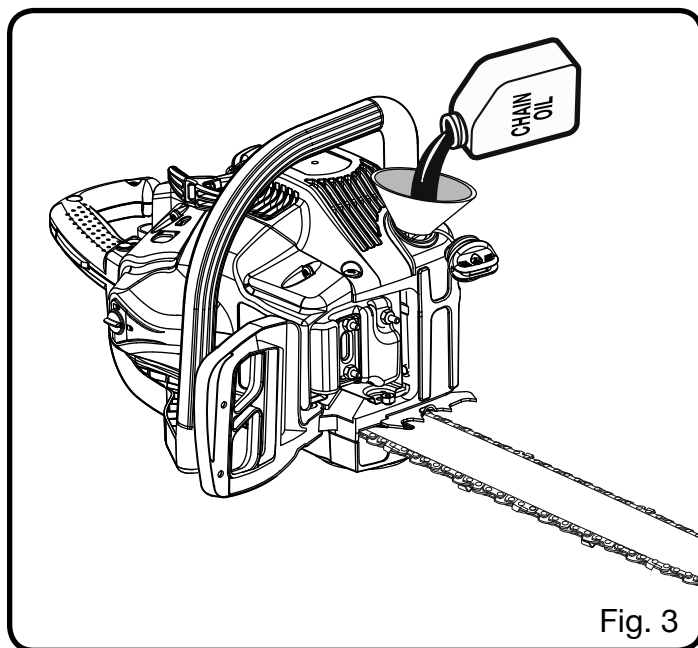


Fig. 3

# OPERATION

reducing friction and heat. Chain saw should use approximately one tank of lubricant per tank of fuel.

**NOTE:** Do not use dirty, used, or otherwise contaminated lubricants. Damage will occur to the oil pump, bar, or chain.

- Carefully pour the bar and chain lubricant into the oil tank.
- Fill the oil tank every time you fuel the engine.

## OPERATING THE CHAIN BRAKE

See Figures 4 - 5.

Check the operating condition of the chain brake prior to each use.

- Engage the chain brake by rotating your left hand around the front handle, allowing the back of your hand to push the chain brake lever/hand guard toward the bar while the chain is rotating rapidly. Be sure to maintain both hands on the saw handles at all times.
- Reset the chain brake back into the RUN POSITION by grasping the top of the chain brake lever/hand guard and pulling toward the front handle until you hear a click.

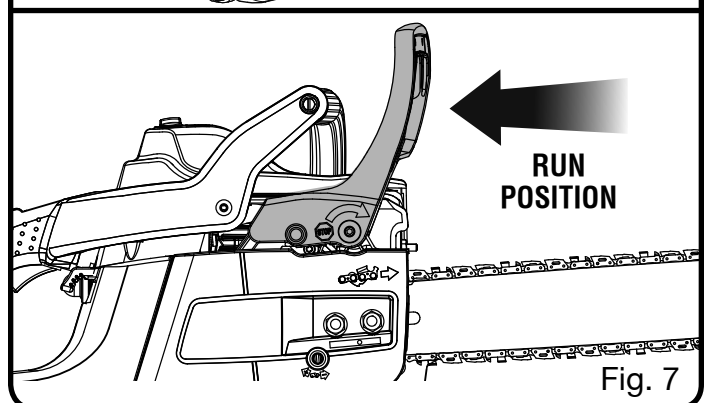
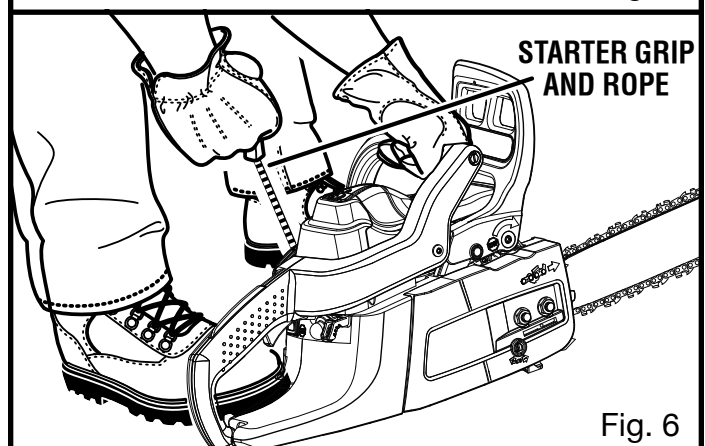
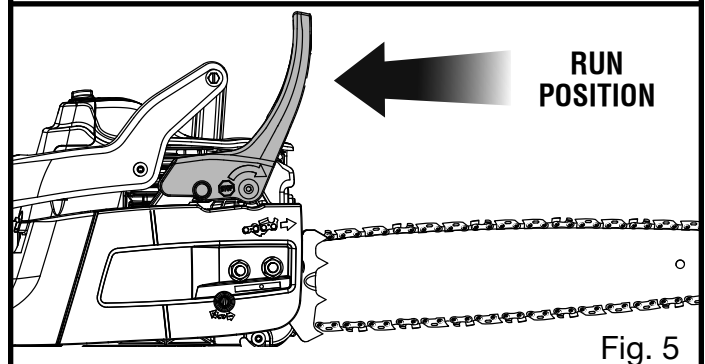
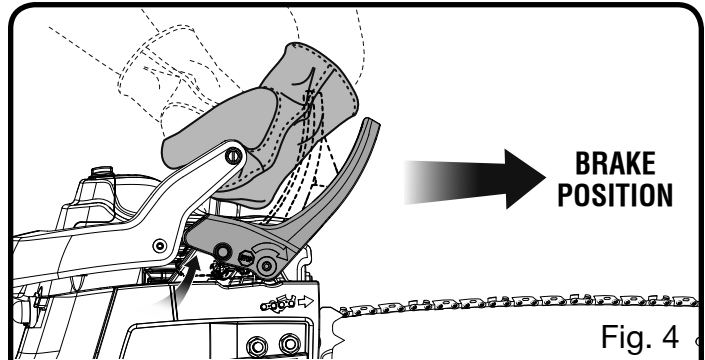
### **⚠ WARNING:**

If the chain brake does not stop the chain immediately, or if the chain brake will not stay in the run position without assistance, take the saw to an authorized service center for repair prior to use.

### **NOTICE:**

Before each use, check to make sure that the chain is properly tensioned. A cold chain is correctly tensioned when there is no slack on the underside of the guide bar, the chain is snug, and it can be turned by hand without binding. During normal saw operation, the temperature of the chain increases. The drive links of a correctly tensioned warm chain will hang approximately .050 in. out of the bar groove.

See the **Adjusting the Chain Tension** instructions in the *Maintenance* section of this manual to properly adjust the chain tension.



# OPERATION

## STARTING THE ENGINE

See Figures 6 - 10.

Starting the product differs depending on whether the engine is cold or warm.

### **⚠ WARNING:**

Keep your body to the left of the chain line. Never straddle the saw or chain, or lean over past the chain line.

- Place the chain saw on level ground and ensure that no objects or obstructions are in the immediate vicinity that could come in contact with the bar and chain.
- Hold the front handle firmly with your left hand and put your right foot onto the base of the rear handle.

### To start a cold engine:

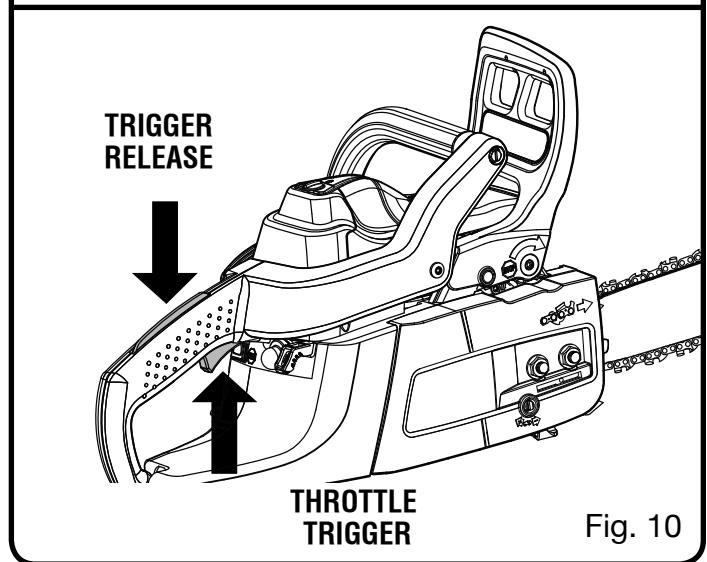
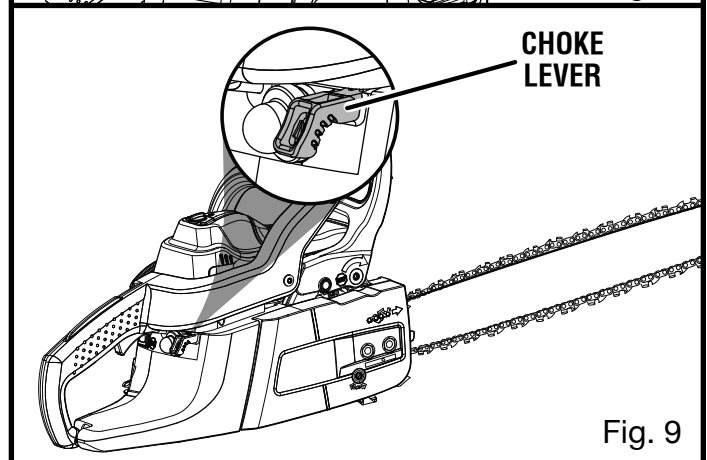
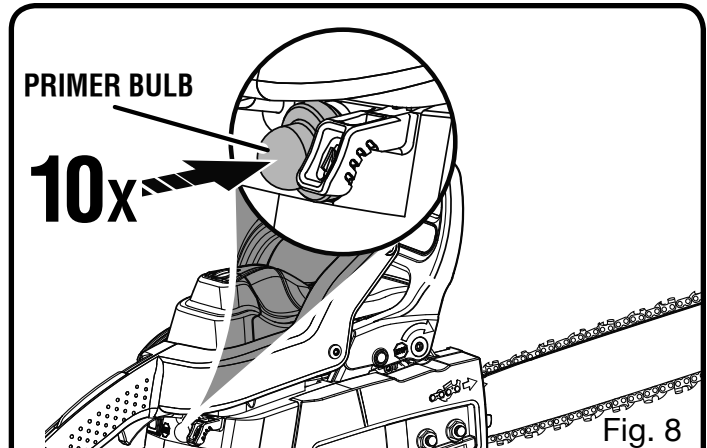
- Make sure the chain brake is in the run position by pulling back on the lever/hand guard.
- Fully press and release the primer bulb 10 times.
- Pull choke lever all the way out to **FULL CHOKE** position.
- When the temperature is above 50°F, pull the starter grip and rope until the engine attempts to start, but no more than 3 times. When the temperature is below 50°F, pull the starter grip and rope until the engine attempts to start, but no more than 5 times.
- Push choke lever in to **RUN** position.
- Pull starter grip and rope until engine runs.

**NOTE:** Allow the saw to run in this position 15–30 seconds, depending upon the temperature.

- Depress the trigger release and squeeze and release the throttle trigger to return the engine to idle after a total run time of at least 30 seconds.

### **NOTICE:**

Failure to release partial throttle when chain brake lever is in the brake position will result in serious damage to the unit. Never squeeze and hold the throttle trigger while the chain brake is in the brake position.



# OPERATION

## To Start a Warm Engine:

- Make sure the chain brake is in the run position by pulling back on the lever/hand guard.
- Pull choke lever out to **FULL CHOKE** position then push immediately back to **RUN** position to set fast idle.
- Pull starter grip and rope until engine runs, but no more than 5 times. If engine does not start after 5 pulls, use cold engine starting procedure.
- Squeeze and release the throttle trigger to return the engine to idle.

## STOPPING THE ENGINE

See Figures 11 - 12.

Release the throttle trigger and let the engine return to idle. To stop the engine, fully press the stop switch. Do not put the chain saw on the ground when the chain is still moving. For additional safety, set the chain brake when the saw is not in use.

In the event that the stop switch will not stop the saw, pull the choke lever out to the fully extended position (**FULL CHOKE**) and engage chain brake to stop the engine. If the stop switch will not stop the saw when pressed, have the stop switch repaired before using the chain saw again to prevent unsafe conditions or serious injury.

**NOTE:** When you are finished using the saw, always relieve tank pressure by loosening, then retightening, the chain oil and fuel caps. Allow the engine to cool before storing.

## ADJUSTING IDLE SPEED

See Figure 13.

### **⚠ WARNING:**

The chain will move around the guide bar when adjusting the idle speed. Wear all protective clothing and keep all bystanders, children, and pets at least 50 ft. away. Make adjustments with the unit supported on a stable surface so that the chain/guide bar does not contact the ground or any object. Keep all parts of your body away from the chain/guide bar and muffler. Failure to follow these instructions could result in serious personal injury.

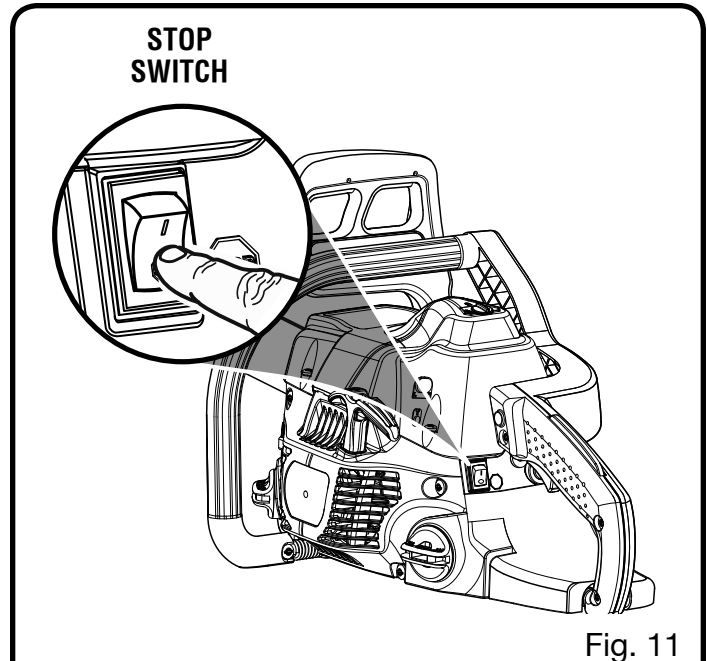


Fig. 11

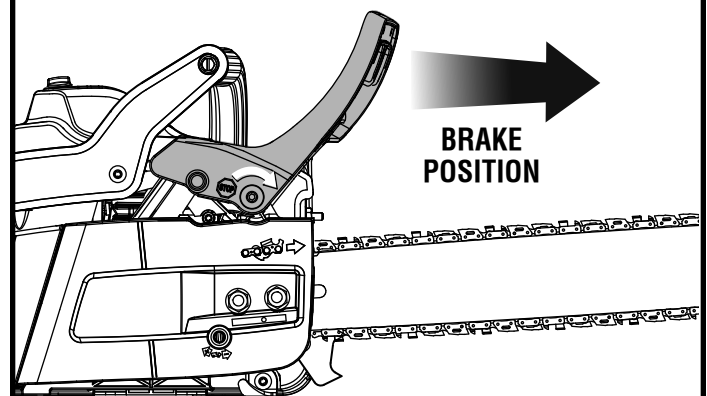


Fig. 12

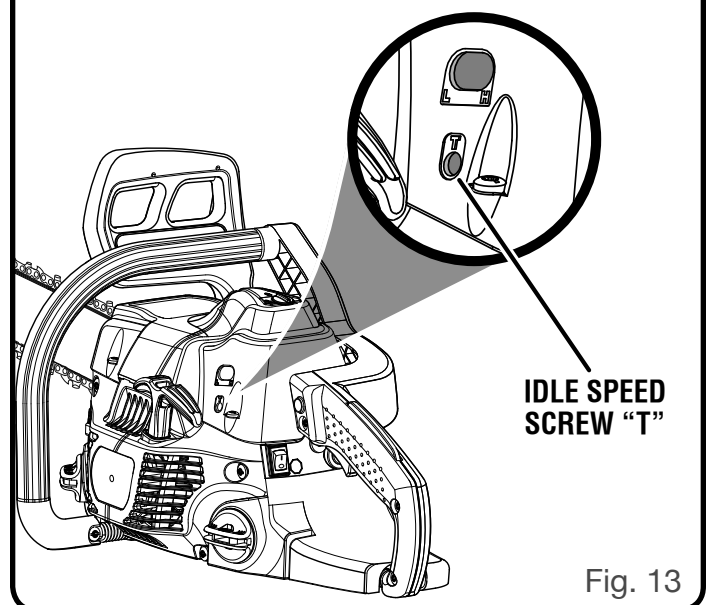


Fig. 13



# OPERATION

- If the engine starts, runs, and accelerates, but will not idle, turn the idle speed screw “T” clockwise to increase idle speed.
- If the chain turns at idle, turn the idle speed screw “T” counterclockwise to reduce the idle RPM and stop the chain movement. If the saw chain still moves at idle speed, contact an authorized service center for adjustment and discontinue use until the repair is made.

## **⚠ WARNING:**

THE SAW CHAIN SHOULD NEVER TURN AT IDLE. Turn the idle speed screw “T” counterclockwise to reduce the idle RPM and stop the chain, or contact an authorized service center for adjustment and discontinue use until the repair is made. Serious personal injury could result from the saw chain turning at idle.

## **PULL AND PUSH**

See Figure 14.

The reaction force of the saw is always opposite to the direction the chain is moving. Thus, the operator must be ready to control the PULL when cutting on the bottom edge of the bar and the PUSH when cutting along the top edge.

**NOTE:** The chain saw has been fully factory tested. It is normal to find some slight oil residue on the saw.

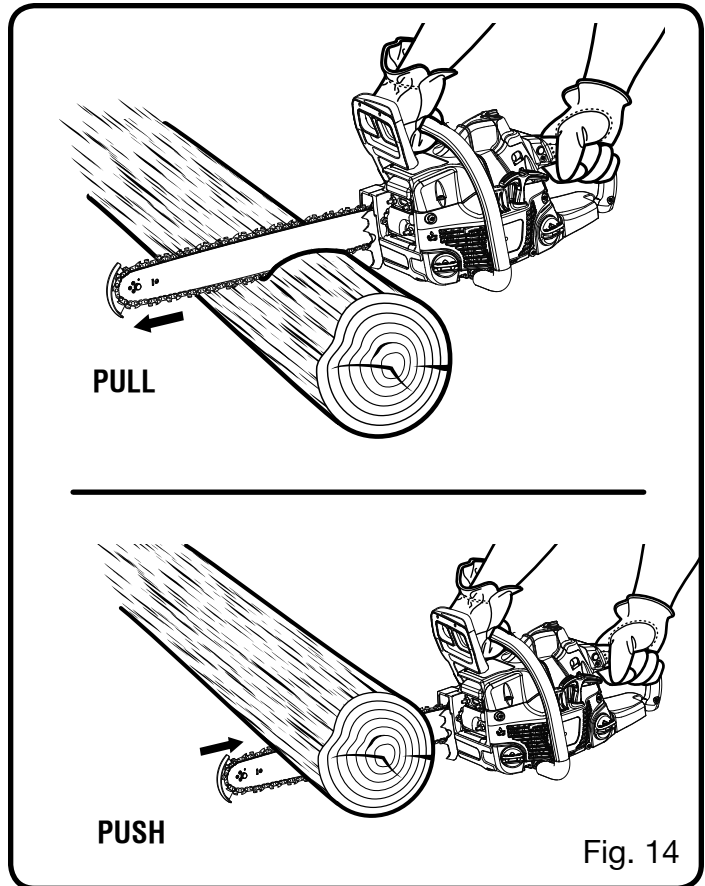


Fig. 14

## **⚠ WARNING:**

**KICKBACK** occurs when the moving chain contacts an object at the upper portion of the tip of the guide bar or when the wood closes in and pinches the saw chain in the cut. Contact at the upper portion of the tip of the guide bar can cause the chain to dig into the object and stop the chain for an instant. The result is a lightning-fast reverse reaction which kicks the guide bar up and back toward the operator. If the saw chain is pinched along the top of the guide bar, the guide bar can be driven rapidly back toward the operator. Either of these reactions can cause loss of saw control, which can result in serious injury.

Do not rely exclusively upon the safety devices built into the saw. As a chain saw user, you should take steps to keep your cutting jobs free from accident or injury. See *General Safety Rules* for more details.

# OPERATION

## KICKBACK PRECAUTIONS

See Figures 15 - 16.

Rotational kickback occurs when the moving chain contacts an object at the Kickback Danger Zone of the guide bar. The result is a lightning-fast reverse reaction, which kicks the guide bar up and back towards the operator. This reaction can cause loss of control, which can result in serious injury.

## PREPARING FOR CUTTING

### PROPER GRIP ON HANDLES

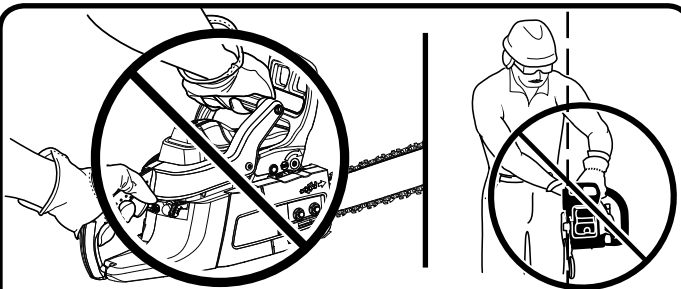
See Figure 17.

See *General Safety Rules* for appropriate safety equipment.

- Wear non-slip gloves for maximum grip and protection.
- Hold the saw firmly with both hands. Always keep your left hand on the front handle and your right hand on the rear handle so that your body is to the left of the chain line.

#### **⚠ WARNING:**

Never use a left-handed (cross-handed) grip or any stance that would place your body or arm across the chain line.



#### **⚠ WARNING:**

CHAIN LINE →

DO NOT operate the throttle trigger with your left hand and hold the front handle with your right hand. Never allow any part of your body to be in the chain line while operating a saw.

- Maintain a proper grip on the saw whenever the engine is running. The fingers should encircle the handle and the thumb is wrapped under the handlebar. This grip is least likely to be broken by a kickback or other sudden reaction of the

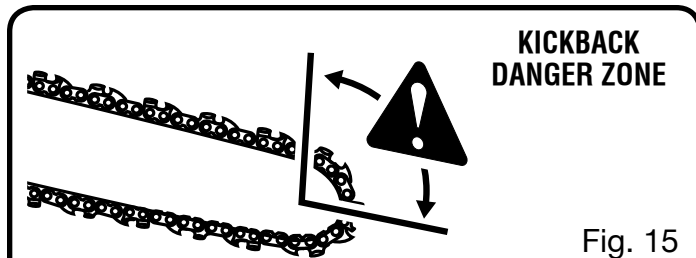


Fig. 15

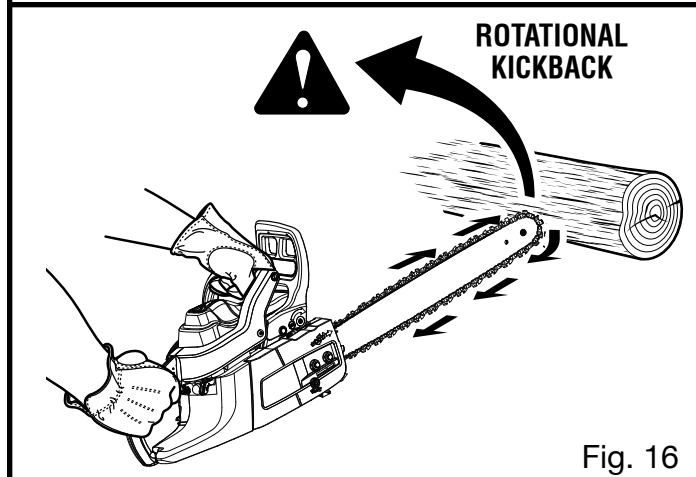
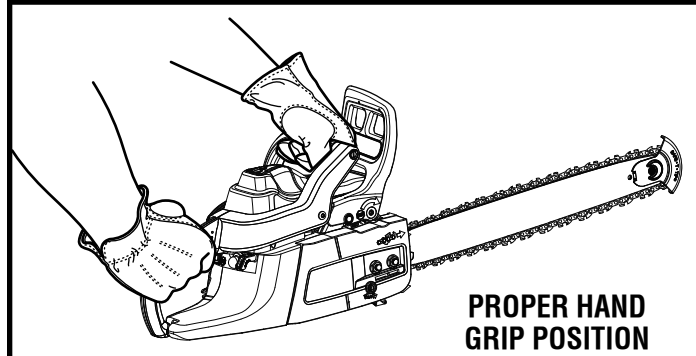


Fig. 16



PROPER GRIP

IMPROPER GRIP

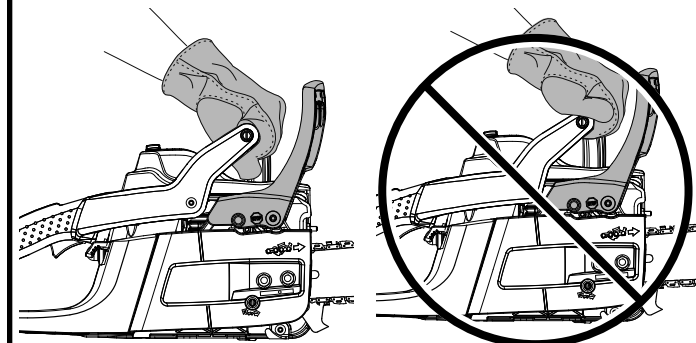


Fig. 17

saw. Any grip in which the thumb and fingers are on the same side of the handle is dangerous because a slight kick of the saw can cause loss of control.

# OPERATION

## PROPER CUTTING STANCE

See Figure 18.

### **WARNING:**

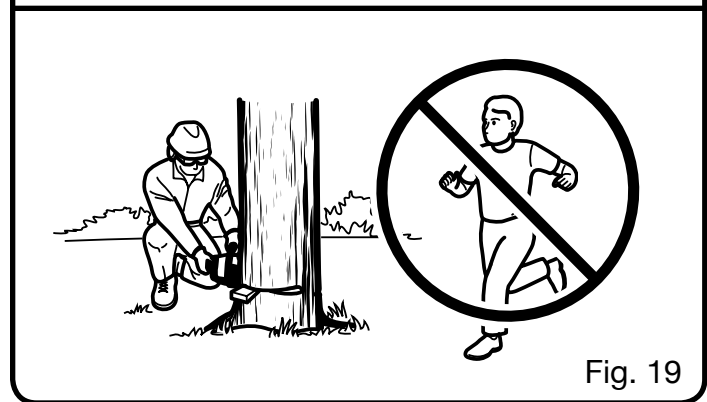
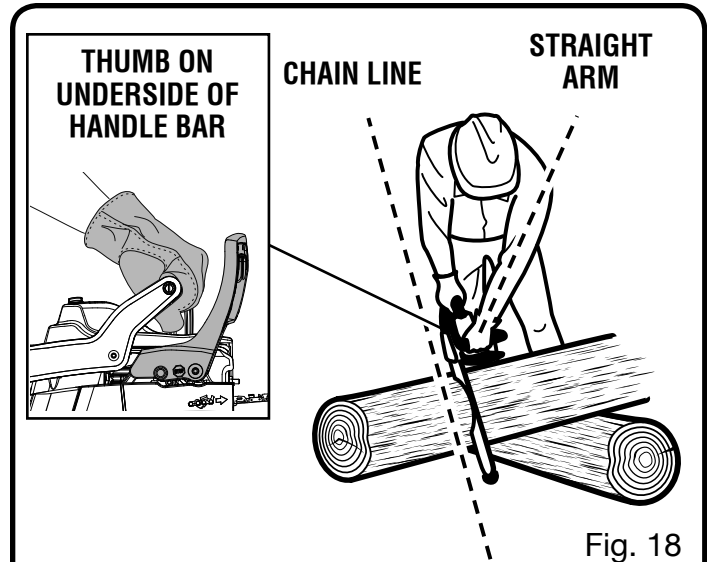
Always use the proper cutting stance described in this section. Never kneel when using the chain saw except when felling a tree as shown in figure 23b. Kneeling could result in loss of stability and control of the saw resulting in serious personal injury.

- Balance your weight with both feet on solid ground.
- Keep left arm with elbow locked in a “straight arm” position to withstand any kickback force.
- Keep your body to the left of the chain line.
- Keep your thumb on underside of handlebar.

## WORK AREA PRECAUTIONS

See Figure 19.

- Cut only wood or materials made from wood; no sheet metal, no plastics, no masonry, no non-wood building materials.
- Never allow children to operate the saw. Allow no person to use this chain saw who has not read this operator’s manual or received adequate instructions for the safe and proper use of this chain saw.
- Keep everyone – helpers, bystanders, children, and animals, a **SAFE DISTANCE** from the cutting area. During felling operations, the safe distance should be a least twice the height of the largest trees in the felling area. During bucking operations, keep a minimum distance of 15 feet between workers.
- Always cut with both feet on solid ground to prevent being pulled off balance.
- Do not cut above chest height as a saw held higher is difficult to control against kickback forces.
- Do not fell trees near electrical wires or buildings. Leave this operation for professionals.
- Cut only when visibility and light are adequate for you to see clearly.



## BASIC OPERATING/CUTTING PROCEDURES

Practice cutting a few small logs using the following technique to get the “feel” of using the saw before you begin a major sawing operation.

- Take the proper stance in front of the wood with the saw idling.
- Accelerate the engine to full throttle just before entering the cut by squeezing the throttle trigger.
- Begin cutting with the saw against the log.
- Keep the engine at full throttle the entire time you are cutting.
- Allow the chain to cut for you; exert only light downward pressure. Forcing the cut could result in damage to the bar, chain, or engine.
- Release the throttle trigger as soon as the cut is completed allowing the engine to idle. Running the saw at full throttle without a cutting load can result in unnecessary wear to the chain, bar, and engine.

# OPERATION

- Do not put pressure on the saw at the end of the cut.

## FELLING TREES

### HAZARDOUS CONDITIONS

See Figures 20 - 23.

#### **⚠ WARNING:**

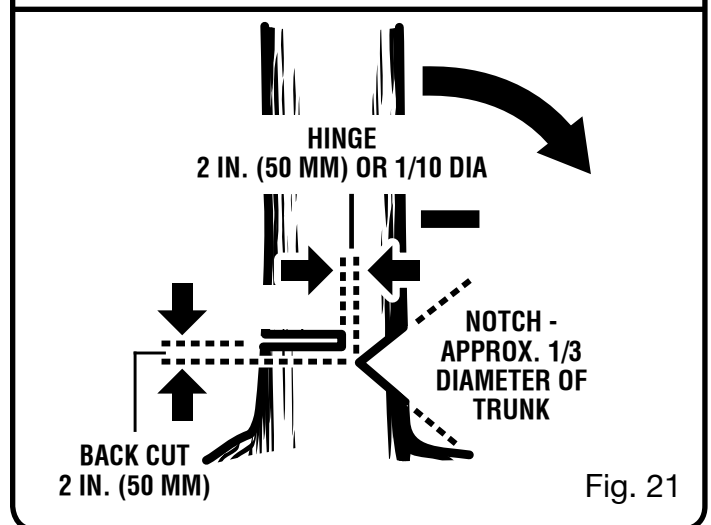
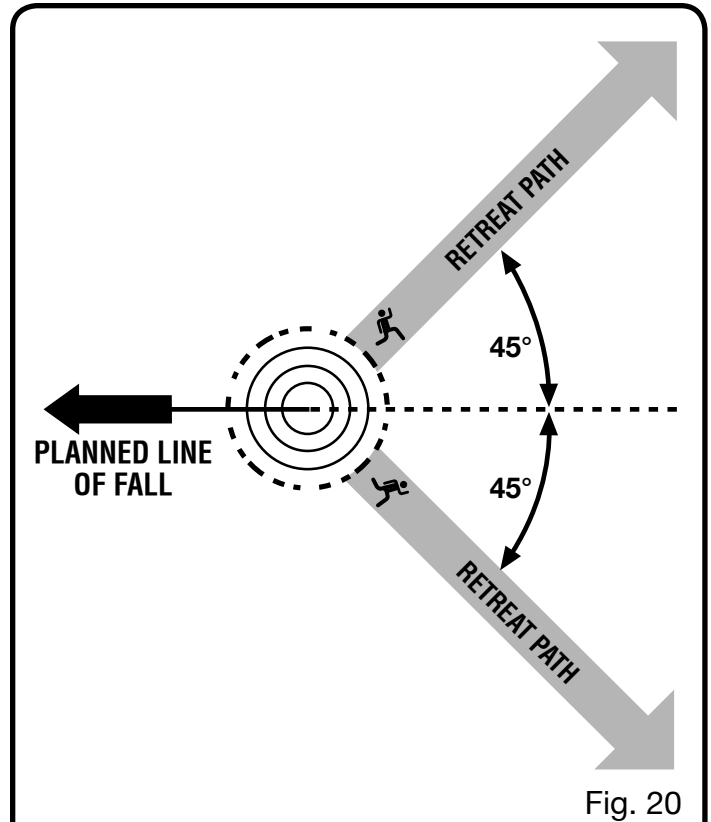
Do not fell trees during periods of high wind or heavy precipitation. Wait until the hazardous weather has ended.

#### **⚠ WARNING:**

Closely check for broken or dead branches, which could fall while cutting and do not cut near buildings or electrical wires if you do not know the direction of tree fall. Do not cut at night or during bad weather conditions, such as rain, snow, or strong winds, which can reduce visibility and control of the chain saw. If the tree you are felling makes contact with any utility line, you should discontinue use of the chain saw and immediately notify the utility company. Failure to follow these instructions could result in death or serious personal injury.

When felling a tree, it is very important that you closely follow these warnings and instructions to prevent possible death or serious personal injury.

- Do not cut down trees having an extreme lean or large trees with rotten limbs, loose bark, or hollow trunks. Have these trees pushed or dragged down with heavy equipment, then cut them up.
- Do not cut trees near electrical wires or buildings.
- Check the tree for damaged or dead branches that could fall and hit you during felling.
- Periodically glance at the top of the tree during the backcut to assure the tree is going to fall in the desired direction.
- If the tree starts to fall in the wrong direction, or if the saw gets caught or hung up during the fall, leave the saw and save yourself!
- Felling a tree – When bucking and felling operations are being performed by two or more per-



# OPERATION

sons, at the same time, the felling operation should be separated from the bucking operation by a distance of at least twice the height of the tree being felled. Trees should not be felled in a manner that would endanger any person, strike any utility line or cause any property damage. If the tree does make contact with any utility line, the utility company should be notified immediately.

- Before any cuts are started, pick your escape route (or routes in case the intended route is blocked); clear the immediate area around the tree and make sure there are no obstructions in your planned path of retreat. Clear paths of safe retreat should extend back and diagonally (45°) to the rear of the planned line of fall. When the tree begins to fall, you should retreat away from the direction of fall along a retreat path and at least 20 feet away from the trunk in case it kicks back over the stump. *See Figure 20.*
- Before felling is started, consider the force and direction of the wind, the lean and balance of the tree, and the location of large limbs. These things influence the direction in which the tree will fall. Do not try to fell a tree along a line different from its natural line of fall.
- The chain saw operator should keep on the uphill side of the terrain as the tree is likely to roll or slide downhill after it is felled.
- Remove dirt, stones, loose bark, nails, staples, and wire from the tree where felling cuts are to be made.

**NOTE:** Before every cut, make sure the felling sights on the saw housing are aligned with the direction path for the tree to fall. Figure 23a shows how the felling direction sights are used when making the back cut.

- **Notched Undercut.** Cut a notch about 1/3 the diameter of the tree as shown in figure 21. Make the cuts of the notch so they intersect at a right angle to the line of fall. This notch should be cleaned out to leave a straight line. To keep the weight of the wood off the saw, always make the lower cut of the notch before the upper cut. *See Figure 21.*

- **Felling Backcut.** The backcut is always made level and horizontal, and at a minimum of 2 in. above the horizontal cut of the notch. *See Figures 21 - 22.*

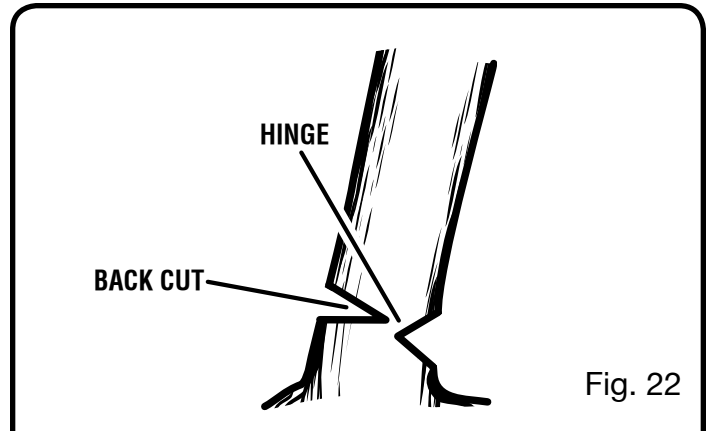


Fig. 22

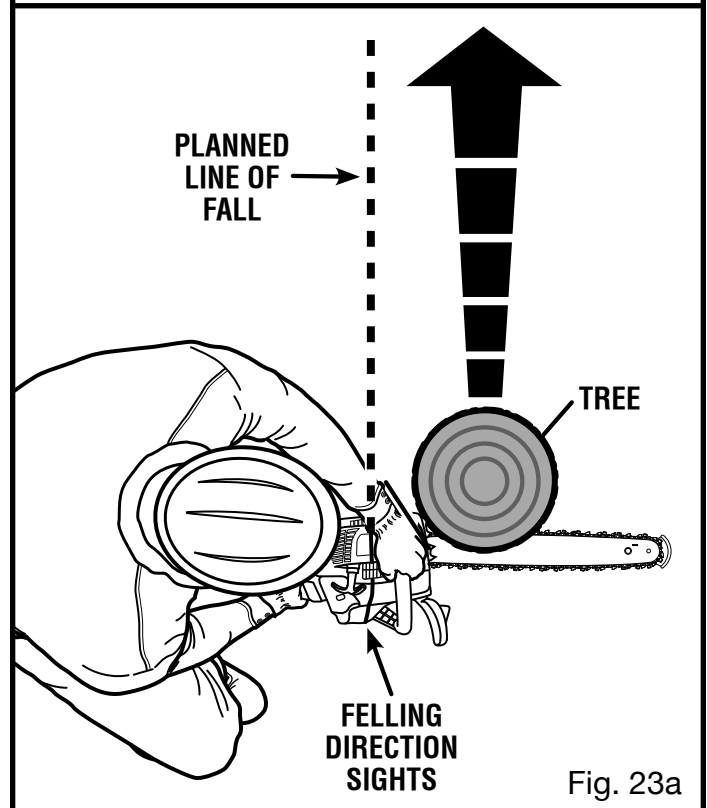


Fig. 23a

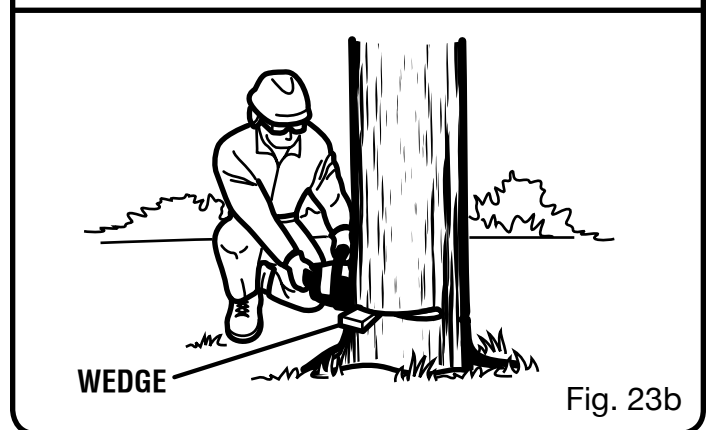


Fig. 23b

# OPERATION

- Never cut through to the notch. Always leave a band of wood between the notch and backcut (approximately 2 in. or 1/10 the diameter of the tree). This is called “hinge” or “hingewood.” It controls the fall of the tree and prevents slipping or twisting or shoot-back of the tree off the stump. See *Figures 21 - 22*.
  - On large diameter trees, stop the back cut before it is deep enough for the tree to either fall or settle back on the stump. Then insert soft wooden or plastic wedges into the cut so they do not touch the chain. The wedges can be driven in, little by little, to help jack the tree over. See *Figure 23b*.
- NOTE:** When bucking or felling with a wedge, it may be necessary to remove the SAFE-T-TIP anti-kickback nose guard to allow the bar to be drawn through the cut. After the cut is complete, the tip should be reinstalled immediately.
- As tree starts to fall, stop the chain saw and put it down immediately. Retreat along the cleared path, but watch the action in case something falls your way. Be alert for overhead limbs or branches that may fall and watch your footing.

## WARNING:

Never cut through to the notch when making a backcut. The hinge controls the fall of the tree, this is the section of wood between the notch and backcut.

## BUCKING

See *Figure 24*.

Bucking is the term used for cutting a fallen tree to the desired log length.

- Cut only one log at a time.
- Support small logs on a saw horse or another log while bucking.
- Keep a clear cutting area. Make sure that no objects can contact the guide bar nose and chain during cutting, this can cause kickback. To avoid the danger, keep the SAFE-T-TIP™ anti-kickback device attached while cutting. Refer to **Kickback** in the *Specific Safety Rules* section of this manual for more information.

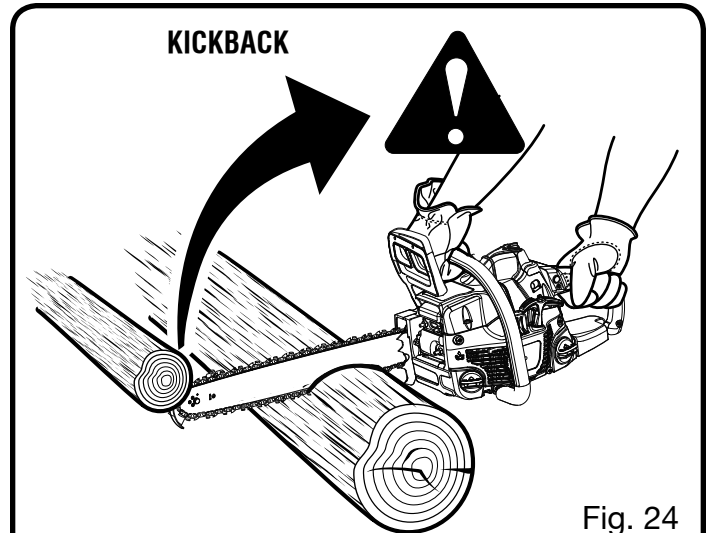


Fig. 24

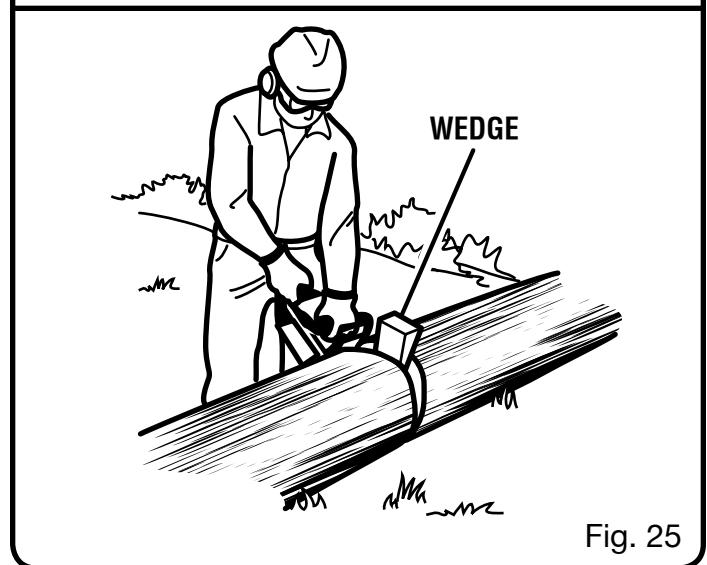


Fig. 25

# OPERATION

- When bucking on a slope, always stand on the uphill side of the log. To maintain complete control of the chain saw when cutting through the log, release the cutting pressure near the end of the cut without relaxing your grip on the chain saw handles. Do not let the chain contact the ground. After completing the cut, wait for the saw chain to stop before you move the chain saw. Always stop the motor before moving from tree to tree.

## BUCKING WITH A WEDGE

See Figure 25.

If the wood diameter is large enough for you to insert a soft bucking wedge without touching the chain, you should use the wedge to hold the cut open to prevent pinching.

**NOTE:** When bucking or felling with a wedge, you may need to remove the SAFE-T-TIP™ anti-kickback device to allow the bar to be drawn through the cut. After you complete the cut, reinstall the tip.

## BUCKING LOGS UNDER STRESS

See Figure 26.

Make the first bucking cut 1/3 of the way through the log and finish with a 2/3 cut on the opposite side. As you cut the log, it will tend to bend. The saw can become pinched or hung in the log if you make the first cut deeper than 1/3 of the diameter of the log.

Give special attention to logs under stress to prevent the bar and chain from pinching.

## OVERBUCKING

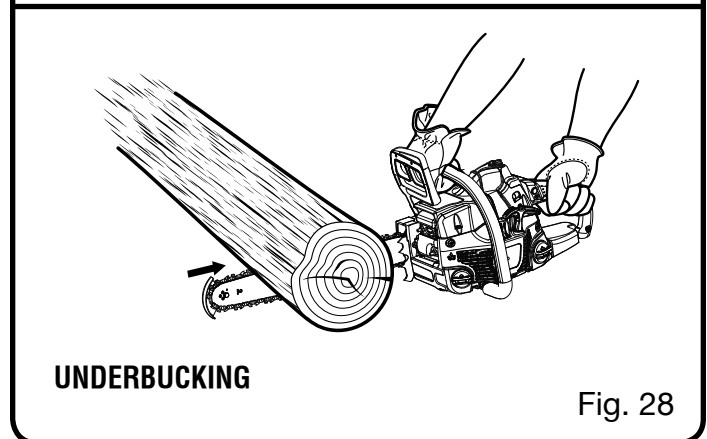
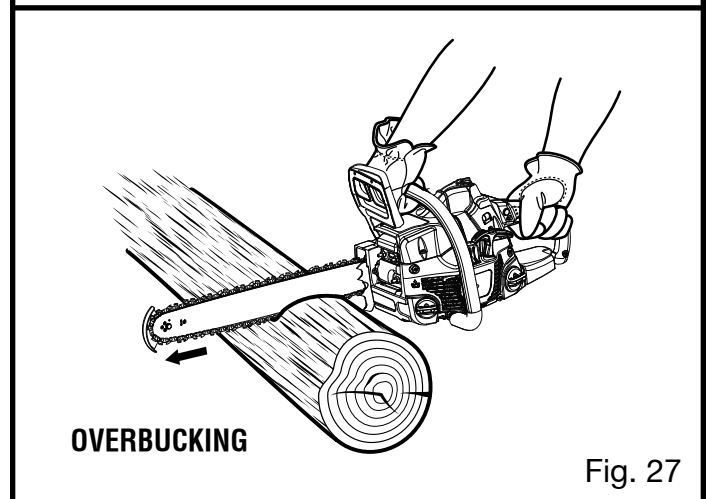
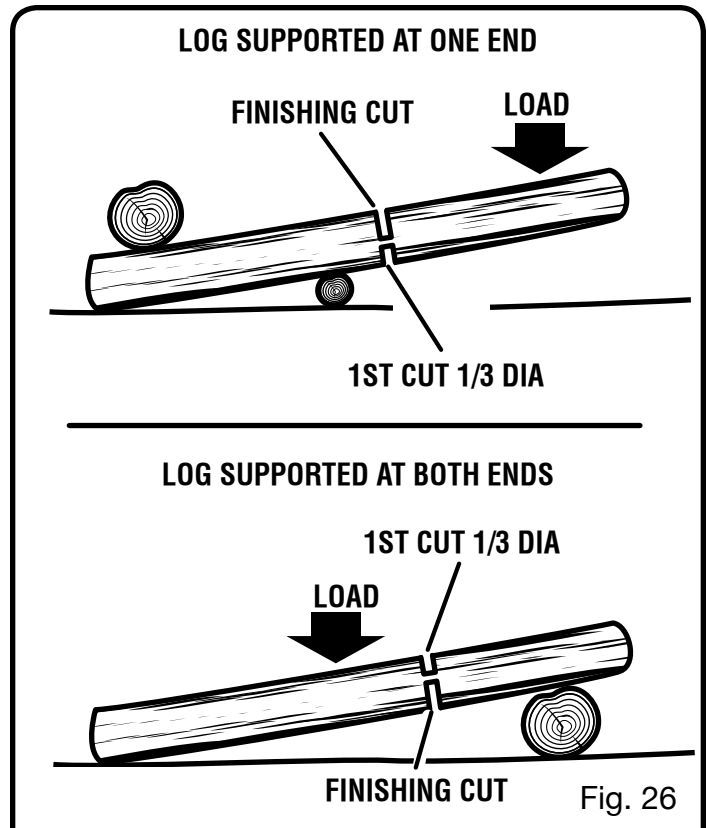
See Figure 27.

Begin on the top side of the log with the bottom of the saw against the log; exert light pressure downward. Note that the saw will tend to pull away from you.

## UNDERBUCKING

See Figure 28.

Begin on the under side of the log with the top of the saw against the log; exert light pressure upward. During underbucking, the saw will tend to push back at you. Be prepared for this reaction and hold the saw firmly to maintain control.



# OPERATION

## LIMBING

See Figure 29.

### **⚠ WARNING:**

Never climb into a tree to limb or prune. Do not stand on ladders, platforms, a log, or in any position which can cause you to lose your balance or control of the saw, which could result in death or other serious personal injury.

Limbing is removing branches from a fallen tree.

- Work slowly, keeping both hands on the chain saw with a firm grip. Always make sure your footing is secure and your weight is distributed evenly on both feet.
- Leave the larger support limbs under the tree to keep the tree off the ground while cutting.
- Limbs should be cut one at a time. Remove the cut limbs from the work area often to help keep the work area clean and safe.
- Branches under tension should be cut from the bottom up to avoid binding the chain saw.
- Keep the tree between you and the chain saw while limbing. Cut from the side of the tree opposite the branch you are cutting.

## PRUNING

See Figure 30.

Pruning is trimming limbs from a live tree.

- Work slowly, keeping both hands on the chain saw with a firm grip. Always make sure your footing is secure and your weight is distributed evenly on both feet.
- Do not cut from a ladder, this is extremely dangerous. Leave this operation for professionals.
- Do not cut above chest height as a saw held higher is difficult to control against kickback.
- When pruning trees it is important not to make the finishing cut next to the main limb or trunk until you have cut off the limb further out to reduce the weight. This prevents stripping the bark from the main member.
- Underbuck the branch 1/3 through for your first cut.
- Your second cut should overbuck to drop the branch off.

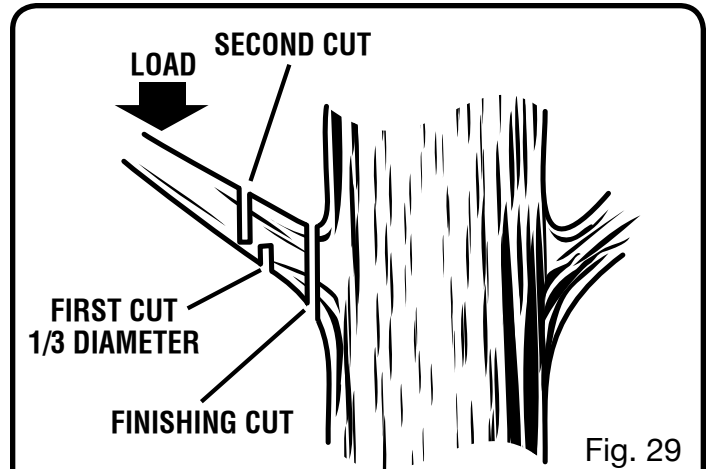


Fig. 29

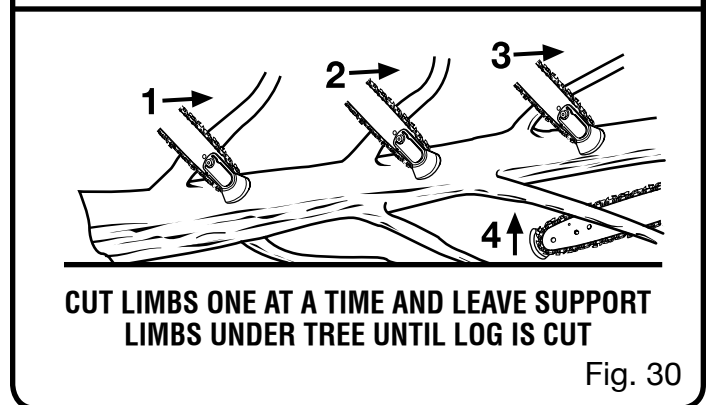


Fig. 30

- Now make your finishing cut smoothly and neatly against the main member so the bark will grow back to seal the wound.

### **⚠ WARNING:**

If the limbs to be pruned are above chest height, hire a professional to perform the pruning. Failure to do so could result in death or serious personal injury.

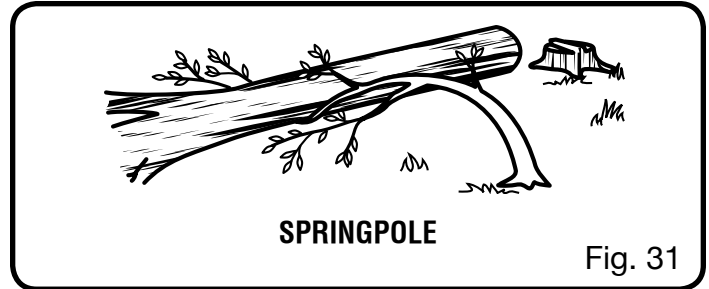


# OPERATION

## CUTTING SPRINGPOLES

See Figure 31.

A springpole is any log, branch, rooted stump, or sapling which is bent under tension by other wood so that it springs back if the wood holding it is cut or removed. On a fallen tree, a rooted stump has a high potential of springing back to the upright position during the bucking cut to separate the log from the stump. Watch out for springpoles — they are dangerous.



### **⚠ WARNING:**

Springpoles are dangerous and could strike the operator, causing the operator to lose control of the chain saw. This could result in severe or fatal injury to the operator.

# MAINTENANCE

Normal maintenance, replacement or repair of emission control devices and systems may be performed by any qualified repair establishment or individual with original or equivalent parts. Warranty and recall repairs must be performed by an authorized service center; please contact customer service for assistance.

### **⚠ WARNING:**

Before inspecting, cleaning, or servicing the machine, shut off engine, wait for all moving parts to stop, and disconnect spark plug wire and move it away from spark plug. Failure to follow these instructions can result in serious personal injury or property damage.

### **⚠ WARNING:**

Muffler surfaces are very hot during and after operation of the chain saw; keep all body parts away from the muffler. Serious burns could occur if contact is made with the muffler.

### **⚠ WARNING:**

Always wear eye protection with side shields marked to comply with ANSI Z87.1, along with hearing and head protection. Failure to do so could result in objects being thrown into your eyes and other possible serious injuries.

### **⚠ WARNING:**

When servicing, use only identical replacement parts. Use of any other parts could create a hazard or cause product damage.

# MAINTENANCE

## NOTICE:

Periodically inspect the entire product for damaged, missing, or loose parts such as screws, nuts, bolts, caps, etc. Tighten securely all fasteners and caps and do not operate this product until all missing or damaged parts are replaced. Please contact customer service or a qualified service center for assistance.

## GENERAL MAINTENANCE

Avoid using solvents when cleaning plastic parts. Most plastics are susceptible to damage from various types of commercial solvents and may be damaged by their use. Use clean cloths to remove dirt, dust, lubricant, grease, etc.

## WARNING:

Do not at any time let brake fluids, gasoline, petroleum-based products, penetrating oils, etc., come in contact with plastic parts. Chemicals can damage, weaken or destroy plastic which may result in serious personal injury.

## LUBRICATION

All of the bearings in this product are lubricated with a sufficient amount of high grade lubricant for the life of the unit under normal operating conditions. Therefore, no further lubrication is required.

## REPLACING THE GUIDE BAR AND CHAIN

See Figures 32 - 41.

## DANGER:

Never start the engine before installing the guide bar, chain, clutch cover, and clutch drum. Without all these parts in place, the clutch can fly off or explode, exposing the user to possible serious injury.

## WARNING:

To avoid serious personal injury, read and understand all the safety instructions in this section.

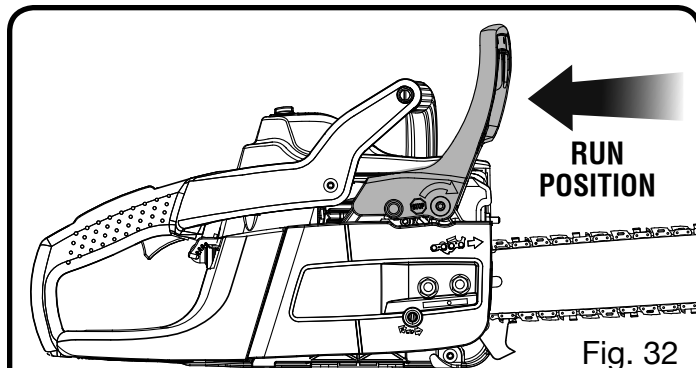


Fig. 32

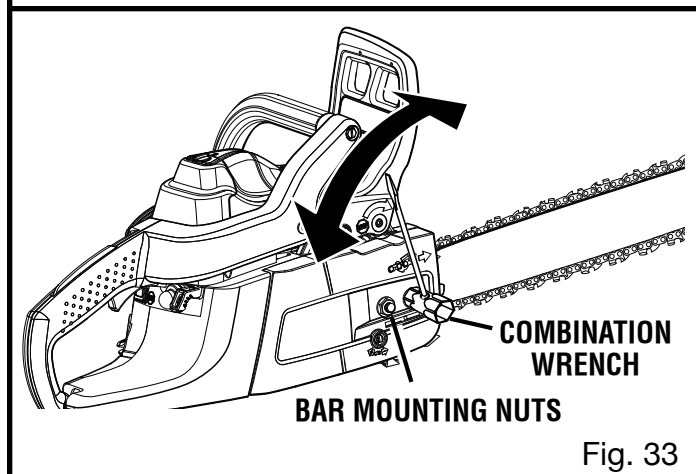


Fig. 33

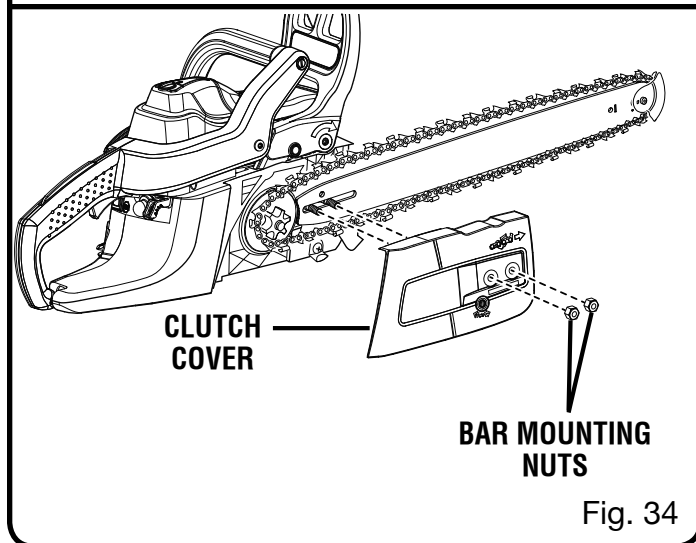


Fig. 34

- Stop the engine and disconnect the spark plug wire before you work on the saw.
- Make sure the chain brake is not set by pulling the chain brake lever/hand guard towards the front handle to the RUN POSITION.

**NOTE:** When replacing the guide bar and chain, always use the specified bar and chain listed in the **Bar and Chain Combinations** section later in this manual.

# MAINTENANCE

- Wear gloves when handling the chain and bar. These components are sharp and may contain burrs.
- Remove the bar mounting nuts using the combination wrench provided or a 13 mm socket wrench.
- Remove the clutch cover.
- Remove the bar and chain from the mounting surface.
- Remove the old chain from the bar.
- Lay out the new saw chain in a loop and straighten any kinks. The cutters should face in the direction of chain rotation. If they face backwards, turn the loop over.

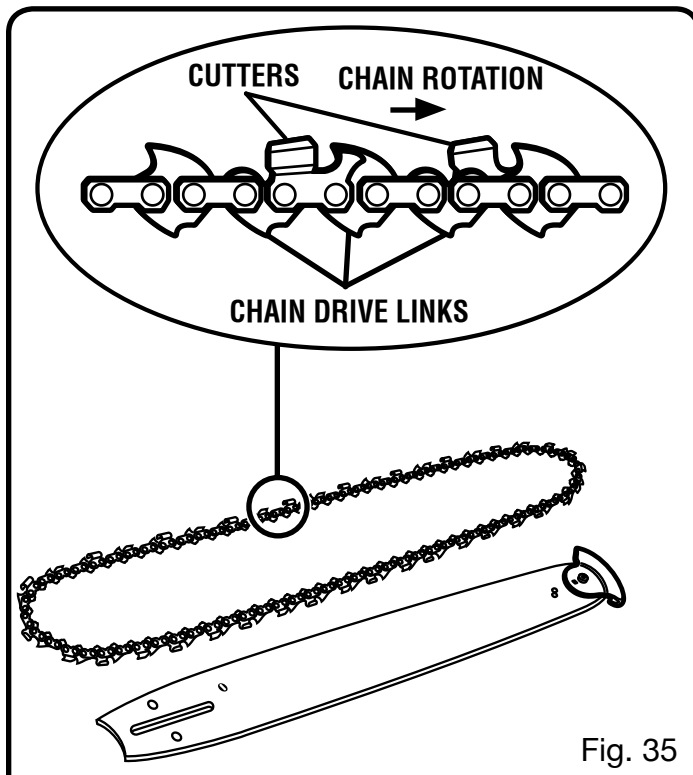


Fig. 35

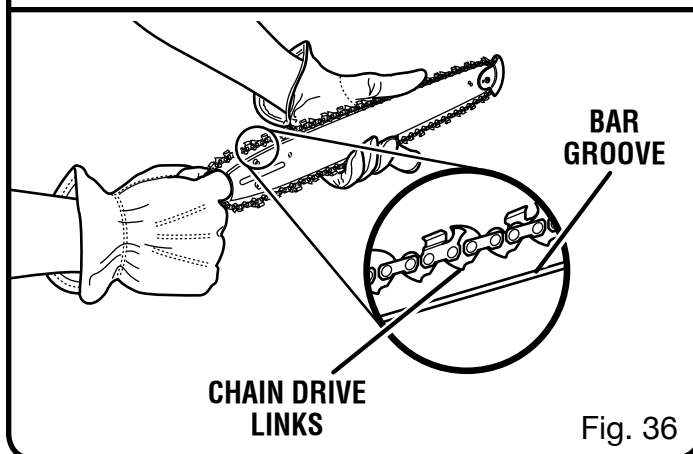


Fig. 36

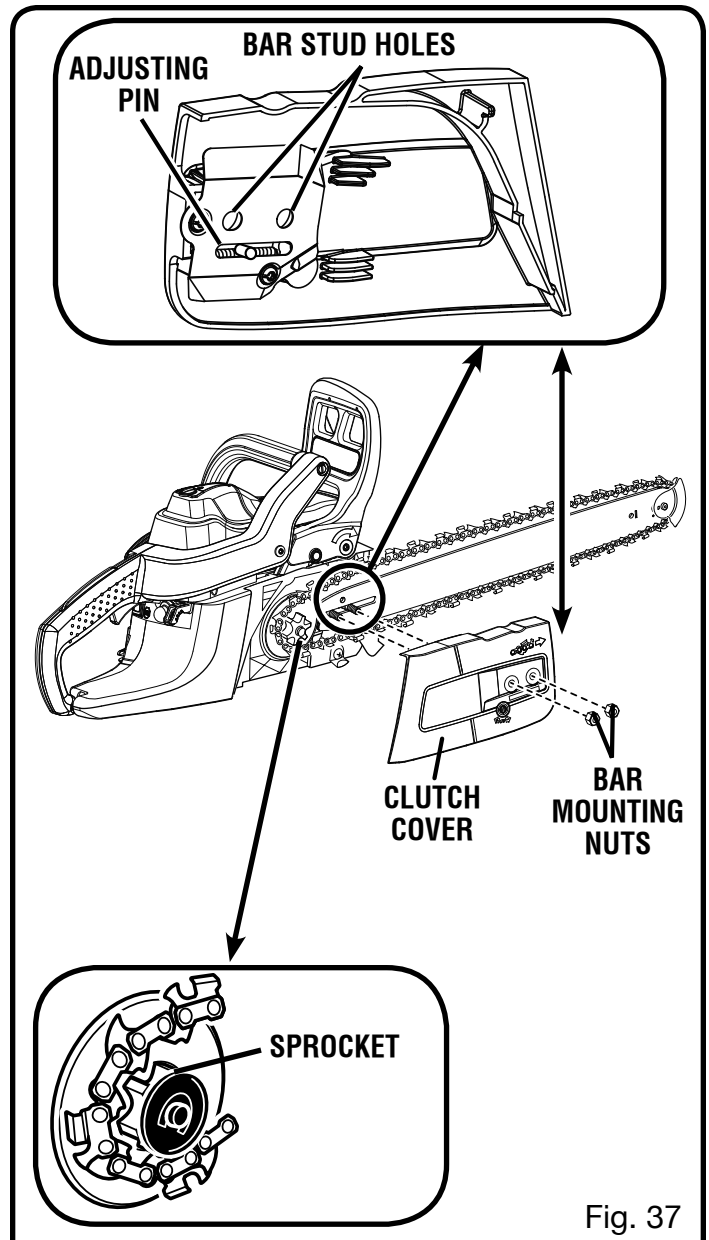


Fig. 37

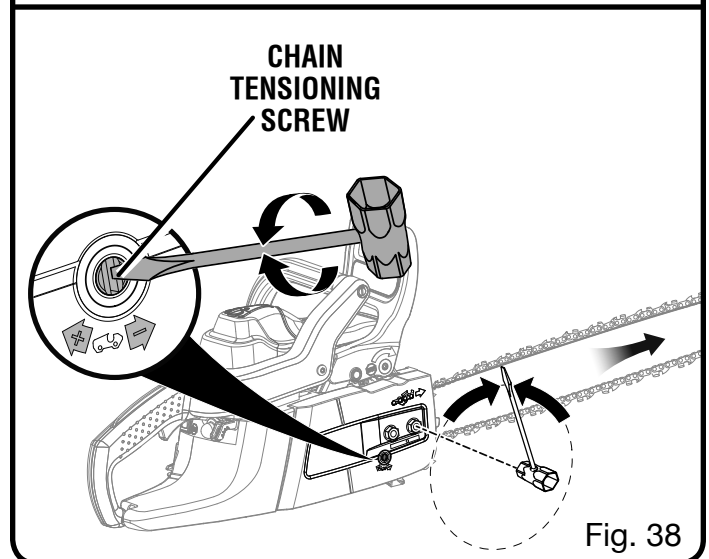


Fig. 38

# MAINTENANCE

- Place the chain drive links into the bar groove as shown.
- Position the chain so there is a loop at the back of the bar.
- Hold the chain in position on the bar and place the loop around the sprocket.
- Fit the bar flush against the mounting surface so that the bar studs are in the long slot of the bar.

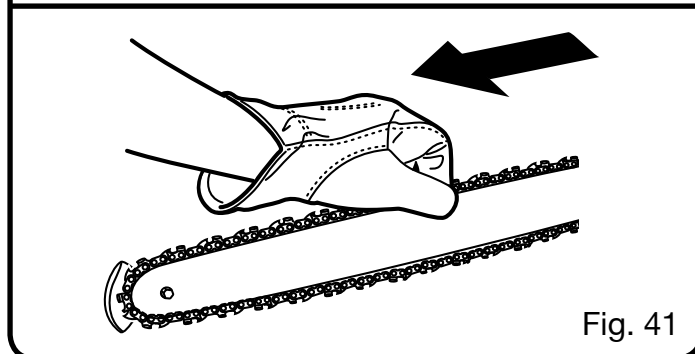
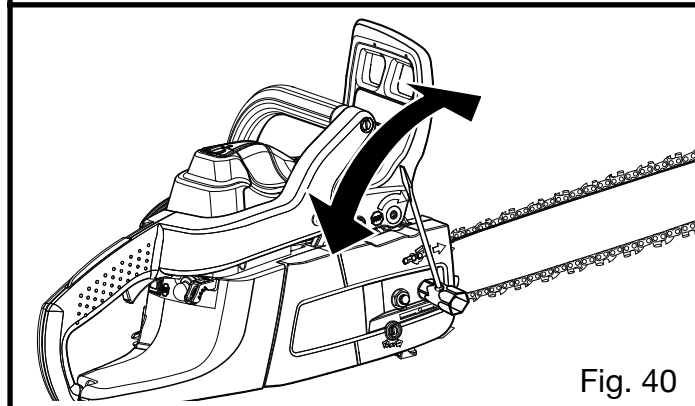
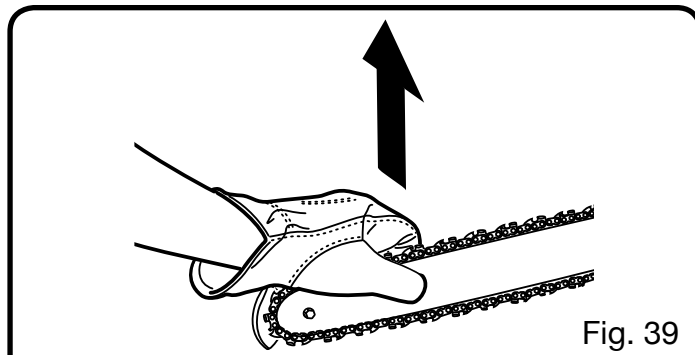
- Replace the clutch cover ensuring that the adjusting pin in the clutch cover is in the bar tensioning pin hole and that both bar studs are in their respective holes in the clutch cover.

**NOTE:** The adjusting pin may need to be slightly repositioned with the chain tensioning screw so that it is aligned with the position of the bar chain tensioning pin hole.

- Replace and fingertighten the bar mounting nuts. The bar must be free to move for tension adjustment.
- Remove all slack from the chain by turning the chain tensioning screw clockwise until the chain seats snugly against the bar with the drive links in the bar groove.
- Lift the tip of the guide bar up to check for sag.
- Release the tip of the guide bar and turn the chain tensioning screw 1/2 turn clockwise. Repeat this process until sag does not exist.
- Hold the tip of the guide bar up and tighten the bar mounting nuts securely.

The chain is correctly tensioned when there is no sag on the underside of the guide bar, the chain is snug, but it can be turned by hand without binding. Ensure that the chain brake is not set.

**NOTE:** If chain is too tight, it will not rotate. Loosen the bar nuts slightly and turn the tension adjuster 1/4 turn counterclockwise. Lift the tip of the guide bar up and retighten the bar nuts securely. Ensure that the chain will rotate without binding.



## ADJUSTING THE CHAIN TENSION

See Figures 42 - 44.

### **⚠ WARNING:**

Shut off engine, wait for all moving parts to stop, and disconnect spark plug wire and move it away from spark plug. Never touch or adjust the chain while the engine is running. The saw chain is very sharp. Always wear protective gloves when performing maintenance on the chain. Failure to follow these instructions can result in serious personal injury.

# MAINTENANCE

- Stop the engine before setting the chain tension.
- Make sure the bar mounting nuts are loosened to finger tight.
- Turn the chain tensioning screw clockwise to tension the chain.

**NOTE:** A cold chain is correctly tensioned when there is no slack on the underside of the guide bar, the chain is snug, and it can be turned by hand without binding.

- Retension the chain whenever the flats on the drive links hang out of the bar groove.

**NOTE:** During normal saw operation, the temperature of the chain increases. The drive links of a correctly tensioned warm chain will hang approximately .050 in. out of the bar groove. The tip of the combination wrench can be used as a guide to help determine the correct warm chain tension.

**NOTE:** New chains tend to stretch; check the chain tension frequently and tension as required.

## **NOTICE:**

A chain tensioned while warm may be too tight upon cooling. Check the “cold tension” before next use.

## CHAIN MAINTENANCE

See Figures 45 - 46.

## **CAUTION:**

Stop the engine and disconnect the spark plug wire before you work on the saw to avoid accidental starting and possible serious personal injury.

Use only a low-kickback chain on this saw. This fast-cutting chain provides kickback reduction when properly maintained.

For smooth and fast cutting, maintain the chain properly.

The chain requires sharpening when the wood chips are small and powdery, the chain must be forced through the wood during cutting, or the chain cuts to one side. During maintenance of the chain, consider the following:

FLATS ON DRIVE LINKS

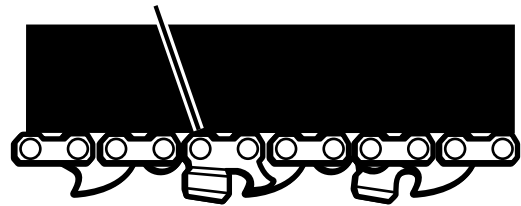


Fig. 42

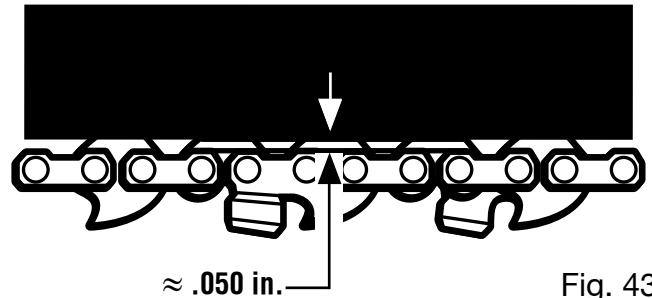


Fig. 43

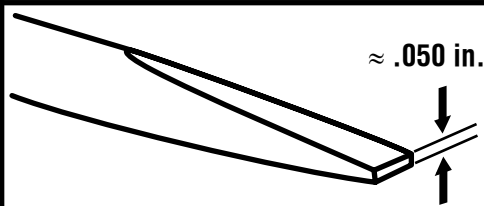


Fig. 44

RAKER (DEPTH GAUGE) CLEARANCE



Fig. 45

INSPECT  
DRIVE  
SPROCKET

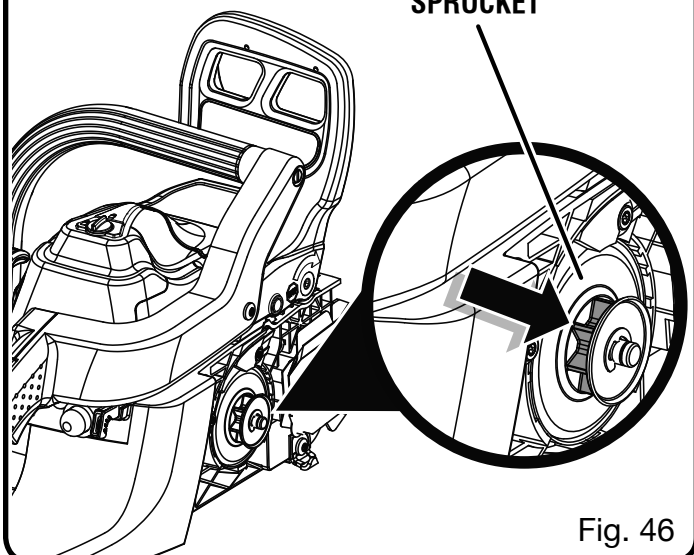


Fig. 46

# MAINTENANCE

- Improper filing angle of the side plate can increase the risk of severe kickback.
- Raker (depth gauge) clearance.
  - Too low increases the potential for kickback.
  - Not low enough decreases cutting ability.
- If the cutter teeth hit hard objects such as nails and stones, or are abraded by mud or sand on the wood, have an authorized service center sharpen the chain.

**NOTE:** Inspect the drive sprocket for wear or damage when replacing the chain. If signs of wear or damage are present in the areas indicated, have the drive sprocket replaced by an authorized service center.

**NOTE:** If you do not fully understand the correct procedure for sharpening the chain after reading the instructions that follow, have the saw chain sharpened by an authorized service center or replace with a recommended low-kickback chain.

## SHARPENING THE CUTTERS

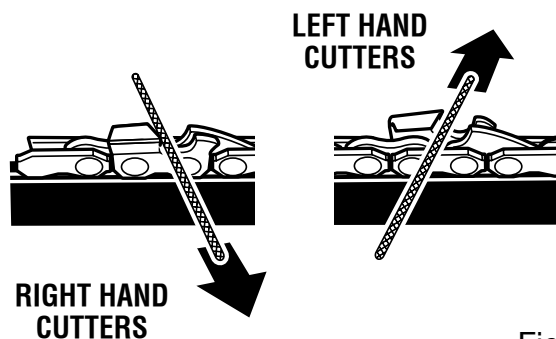
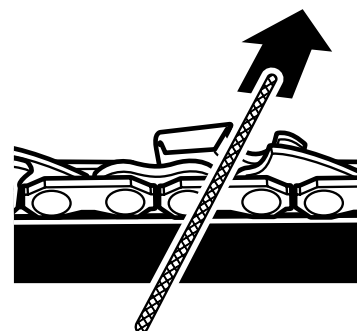
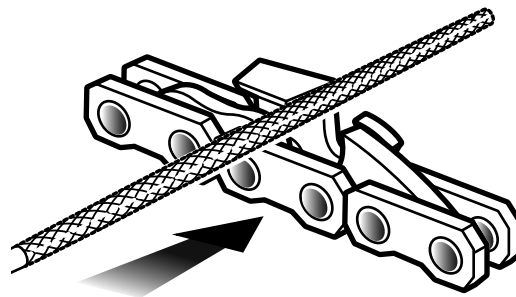
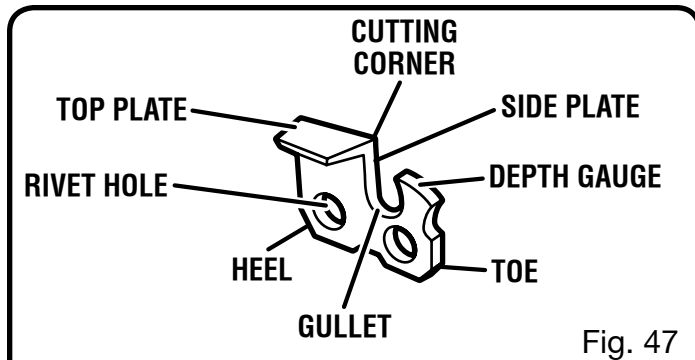
See Figures 47 - 50.

Be careful to file all cutters to the specified angles and to the same length, as fast cutting can only be obtained when all cutters are uniform.

### **⚠ WARNING:**

The saw chain is very sharp. Always wear protective gloves when performing maintenance to the chain to prevent serious personal injury.

- Tension the chain prior to sharpening. Refer to **Adjusting The Chain Tension**.
- Use a 3/16 in. diameter round file and holder. Do all of your filing at the midpoint of the bar.
- Keep the file level with the top plate of the tooth. Do not let the file dip or rock.
- Using light but firm pressure. Stroke towards the front corner of the tooth.
- Lift the file away from the steel on each return stroke.
- Put a few firm strokes on every tooth. File all left hand cutters in one direction. Then move to the other side and file the right hand cutters in the opposite direction.



- Remove filings from the file with a wire brush.

### **NOTICE:**

A dull or improperly sharpened chain can cause excessive engine speed during cutting, which may result in severe engine damage.

# MAINTENANCE

## ⚠ WARNING:

Improper chain sharpening increases the potential of kickback, which can result in serious personal injury.

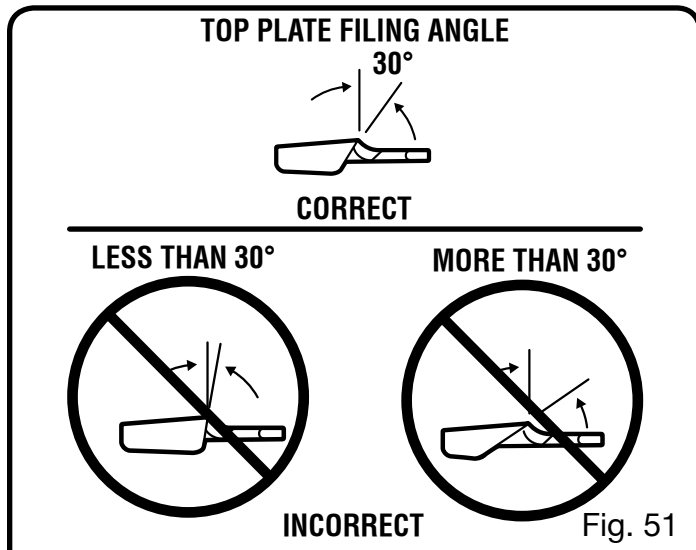
## ⚠ WARNING:

Failure to replace or repair a damaged chain can cause serious injury.

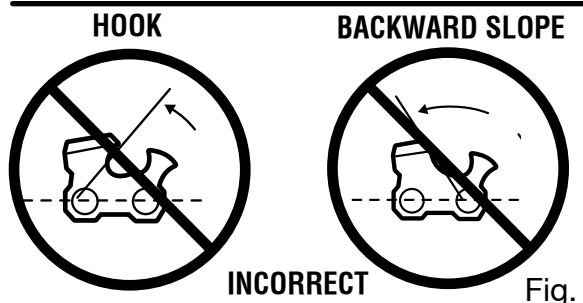
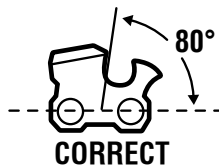
### TOP PLATE FILING ANGLE

See Figure 51.

- CORRECT 30° – file holders are marked with guide marks to align file properly to produce correct top plate angle.
- LESS THAN 30° – for cross cutting.
- MORE THAN 30° – feathered edge dulls quickly.



### SIDE PLATE FILING ANGLE



### SIDE PLATE ANGLE

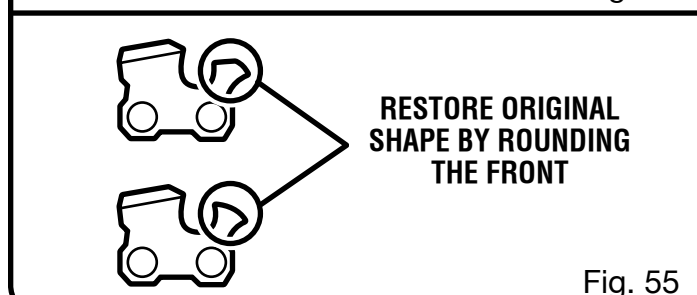
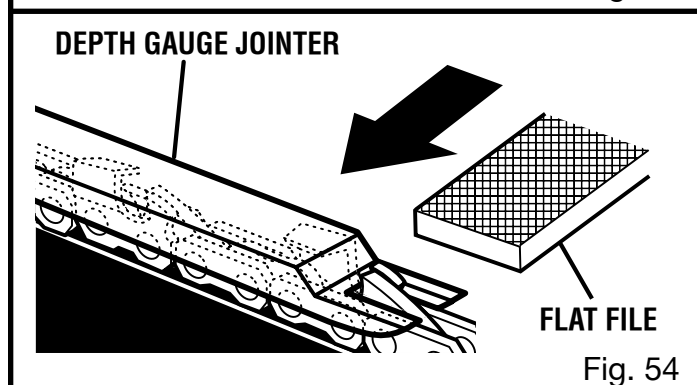
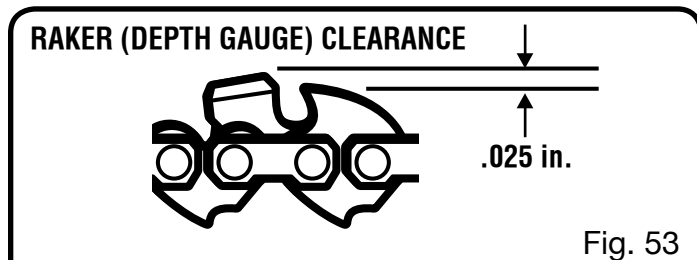
See Figure 52.

- CORRECT 80° – Produced automatically if you use the correct diameter file in the file holder.
- HOOK – “Grabs” and dulls quickly; increases the potential of KICKBACK. Results from using a file with a diameter too small or a file held too low.
- BACKWARD SLOPE – Needs too much feed pressure; causes excessive wear to the bar and chain. Results from using a file with a diameter too large or file held too high.

### MAINTAINING DEPTH GAUGE CLEARANCE

See Figure 53 - 55.

- Maintain the depth gauge at a clearance of .025 in. Use a depth gauge tool for checking the depth gauge clearances.
- Every time the chain is filed, check the depth gauge clearance.



# MAINTENANCE

- Use a flat file and a depth gauge jointer to lower all gauges uniformly. Use a .025 in. depth gauge jointer. After lowering each depth gauge, restore original shape by rounding the front. Be careful not to damage adjoining drive links with the edge of the file.
- Depth gauges must be adjusted with the flat file in the same direction the adjoining cutter was filed with the round file. Use care not to contact cutter face with flat file when adjusting depth gauges.

## MAINTAINING THE GUIDE BAR

See Figure 56.

### ⚠ CAUTION:

Make sure the chain has stopped before you do any work on the saw.

Proper maintenance will maximize the useful life of the guide bar.

#### Each day of use:

Clean the bar and check for wear and damage. Feathering or burring of the bar rails is a normal process of bar wear, but such faults should be smoothed with a file as soon as they occur.

#### Each week of use:

- Reverse the guide bar on the saw to distribute the wear.
- Lubricate the sprocket at the end of the guide bar using a grease gun in the sprocket lubrication hole.
- Turn the guide bar and check that the lubrication holes and chain groove are free from impurities.

#### A bar with any of the following faults should be replaced immediately:

- Wear inside the bar rails that permits the chain to lay over sideways
- Bent guide bar
- Cracked or broken rails
- Spread rails

## MOUNTING THE SAFE-T-TIP™ NOSE GUARD

See Figures 57 - 58.

- Stop the engine and disconnect the spark plug wire.

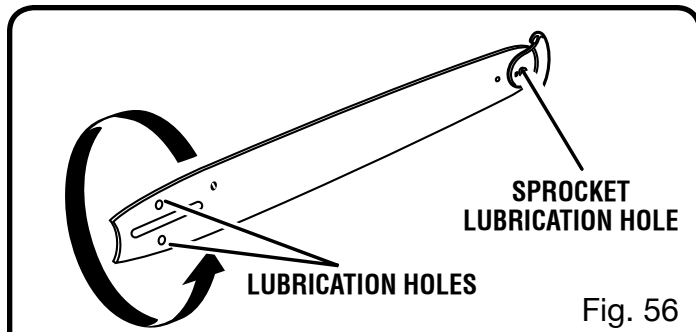


Fig. 56

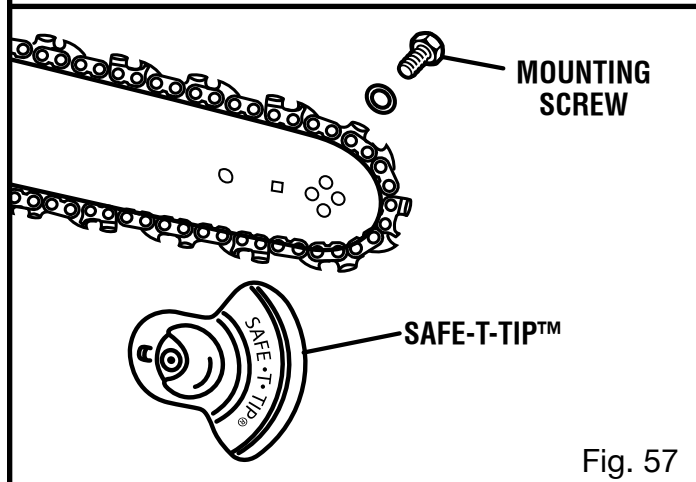


Fig. 57

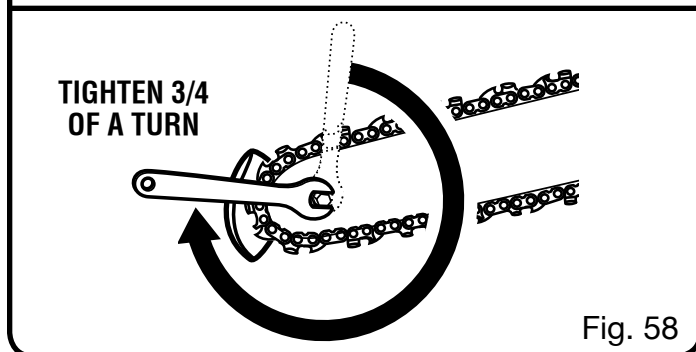


Fig. 58

- Mount the SAFE-T-TIP™ on the bar nose.
- Fit the locking tab in the recessed slot in the guide bar.
- Tighten the mounting screw with wrench until snug.
- From the snug position, tighten the mounting screw an additional 3/4 of a turn using a wrench.

## MAINTAINING THE SAFE-T-TIP™ NOSE GUARD

See Figures 57 - 58.

### ⚠ CAUTION:

Make sure the chain has stopped before you do any work on the saw.



# MAINTENANCE

## **⚠ WARNING:**

Although the guide bar comes with a SAFE-T-TIP™ antikickback device already installed, check the tightness of the mounting screw before each use.

Use the following instructions to tighten the mounting screw of the nose guard. These are specially hardened screws. If you cannot install the screw tightly, replace both the screw and the SAFE-T-TIP™ before further operation.

**NOTE:** Do not replace the screw with an ordinary screw. Use only identical replacement parts from the manufacturer when replacing parts.

In addition to preventing chain contact with solid objects at the nose of the bar, the SAFE-T-TIP™ also helps keep the chain away from abrasive surfaces, such as the ground. Keep it on the right hand side of the bar where it will be between the chain and the ground during flush with ground cutting.

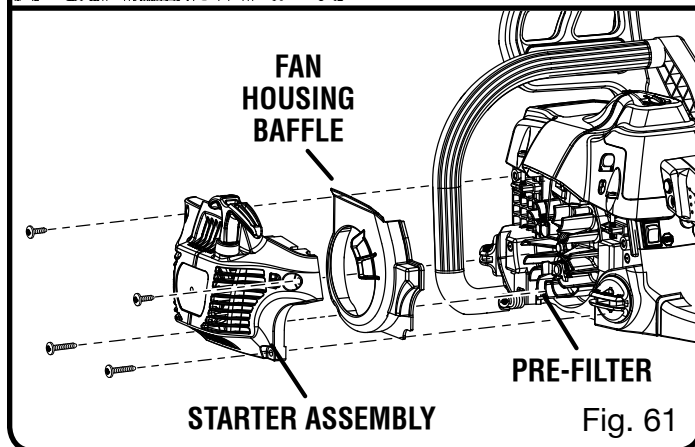
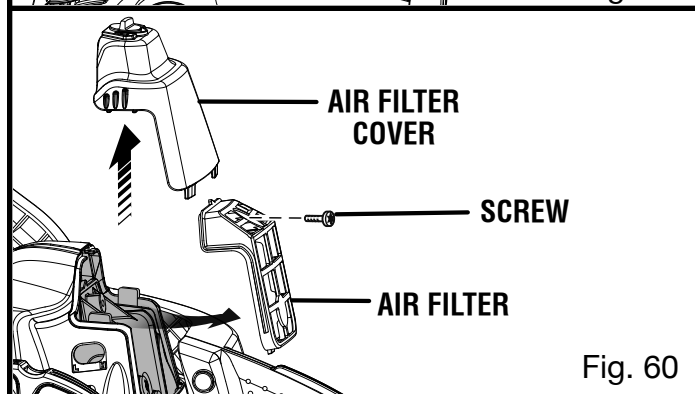
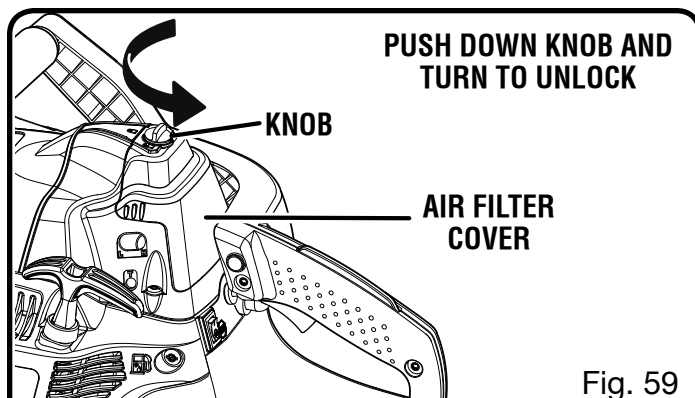
The mounting screw requires a 5/16 in. wrench (or adjustable wrench) to achieve the recommended torque of 35 to 45 in.lb. A torque within this range can be achieved by using the following method.

- Tighten the screw with wrench until snug.
- From the snug position, tighten the screw an additional 3/4 of a turn using a wrench.

## **CLEANING THE AIR FILTER**

See Figures 59 - 62.

- Push down on the knob on top of the air filter cover and rotate counterclockwise to unlock. Lift cover straight up to remove; set aside.
- Before removing the air filter from the carburetor, blow or brush as much loose dirt and sawdust from around the carburetor and chamber as possible.  
**NOTE:** Make sure to pull the choke rod out to keep the carburetor from being contaminated.
- Using the combination wrench provided or a flat blade screwdriver, remove the screw securing the air filter.
- Position a flat screwdriver between the tabs and twist to release from the air filter base.
- Lift the air filter off the air filter base.



## **Choose one of the following cleaning options:**

- To lightly clean, tap the filter against a smooth, flat surface to dislodge most saw dust and dirt particles.
- After every 5 hours of operation, clean in warm soapy water, rinse, and let dry completely. Replace with a new filter after every 25 hours of use.

**NOTE:** An alternate method is to clean the filter with compressed air. Always wear eye protection to avoid eye injury.

# MAINTENANCE

- Reinstall air filter and screw, making sure that tabs on air filter are located in channels on air filter base.
  - Reinstall air filter cover. Push down on knob and rotate clockwise to secure.
  - Clean the pre-filter every 5 hours of use or sooner, if required. Remove the cylinder cover, starter assembly, and the fan housing baffle for access to the pre-filter in the engine housing.
- NOTE:** If you use an air hose for drying, blow through both sides of filter.

## NOTICE:

Make sure the air filter is correctly placed in the air filter base before reassembly. Never run the engine without the air filter, as this may cause serious damage to the chain saw.

## CLEANING THE STARTER UNIT

See Figure 63.

Use a brush or compressed air to keep the cooling vents of the starter assembly free and clean of debris.

## ADJUSTING THE CARBURETOR

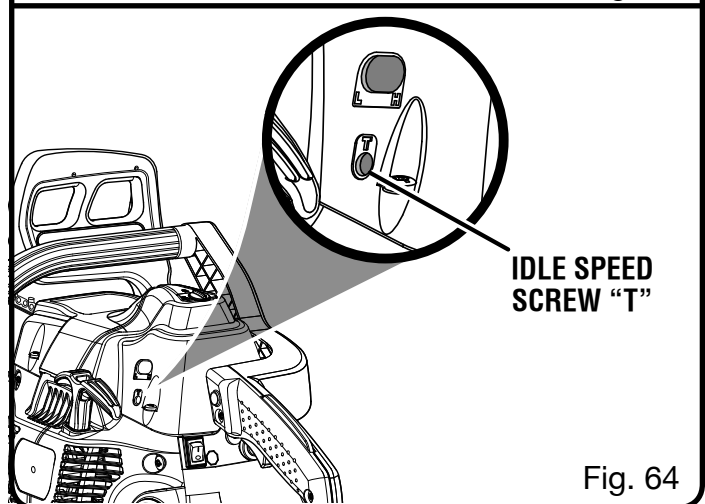
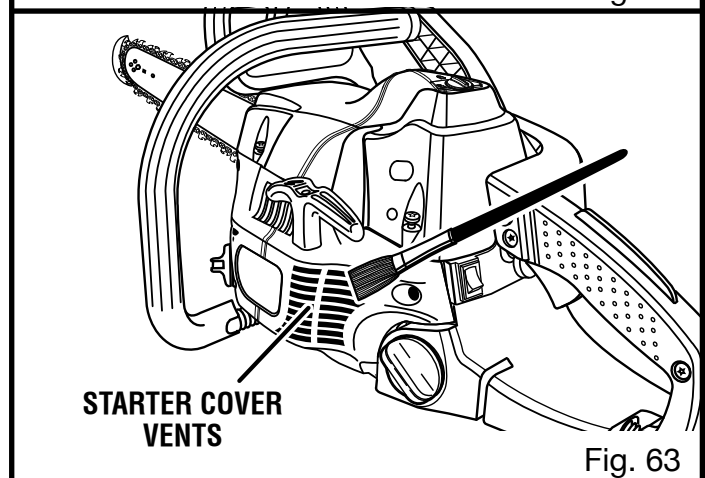
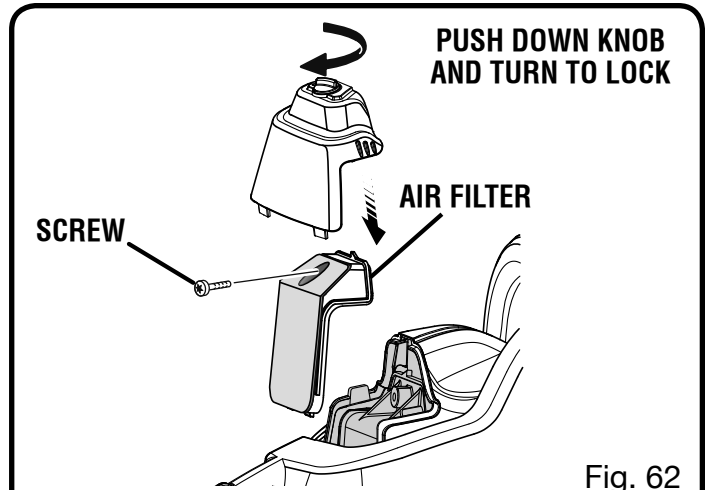
See Figure 63 - 64.

## ⚠ WARNING:

The chain will move around the guide bar when adjusting the idle speed. Wear all protective clothing and keep all bystanders, children, and pets at least 50 ft. away. Make adjustments with the unit supported on a stable surface so that the chain/guide bar does not contact the ground or any object. Keep all parts of your body away from the chain/guide bar and muffler. Failure to follow these instructions could result in serious personal injury.

### Before adjusting the carburetor:

- Use a brush or compressed air to clean the starter cover vents.
- Clean the air filter. Refer to **Cleaning the Air Filter** in the *Maintenance* section of this manual.
- Allow the engine to warm up prior to adjustment of engine idle speed.



## ⚠ WARNING:

Weather conditions and altitude may affect carburetion. Do not allow bystanders close to the chain saw while adjusting the carburetor.

# MAINTENANCE

**Idle Speed Adjustment** — The idle speed adjustment controls how much the throttle valve stays open when the throttle trigger is released. To adjust:

- Turn idle speed screw “T” clockwise to increase idle speed.
- Turn idle speed screw “T” counterclockwise to decrease idle speed.

## **⚠ WARNING:**

THE SAW CHAIN SHOULD NEVER TURN AT IDLE. Serious personal injury may result from the saw chain turning at idle.

## **CLEANING THE ENGINE**

See Figures 65 - 66.

Clean the cylinder fins and flywheel fins with compressed air or a brush periodically. Dangerous overheating of the engine may occur due to impurities on the cylinder.

## **⚠ WARNING:**

Never run the saw without all the parts, including the clutch cover and starter housing, securely in place.

Because parts can fracture and pose a danger of thrown objects, leave repairs of the flywheel and clutch to factory trained authorized service center personnel.

**NOTE:** If you notice a power loss with the gas-powered tool, the exhaust port and muffler may be blocked with carbon deposits. These deposits may need to be removed to restore performance. We highly recommend that only qualified service technicians perform this service.

## **CHECKING THE FUEL FILTER**

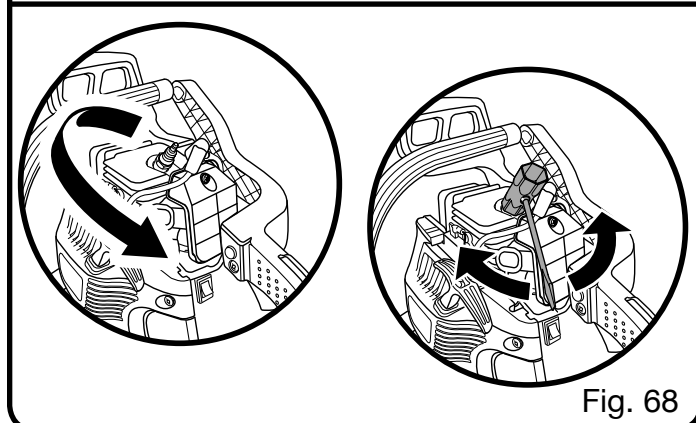
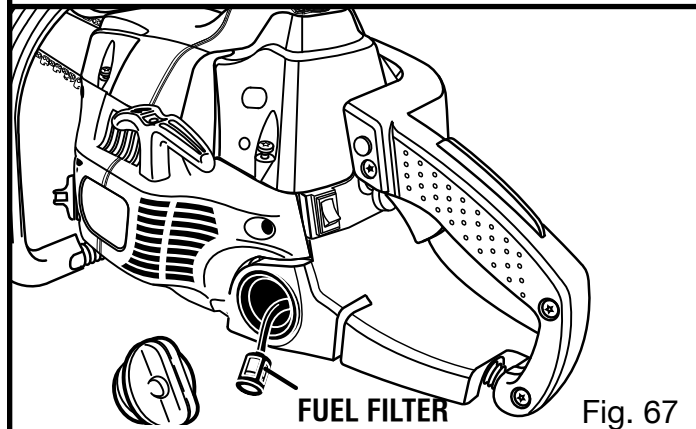
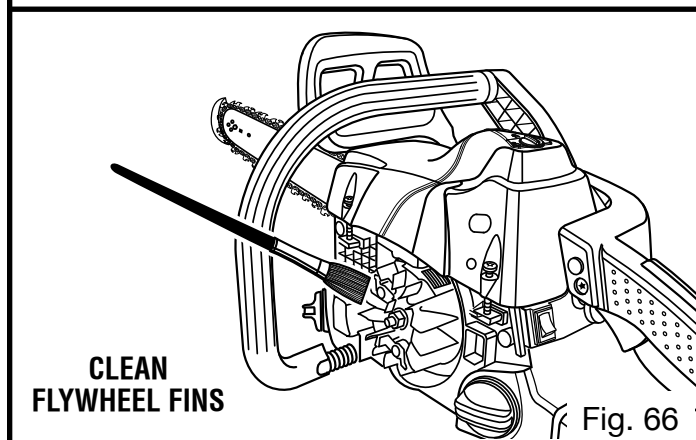
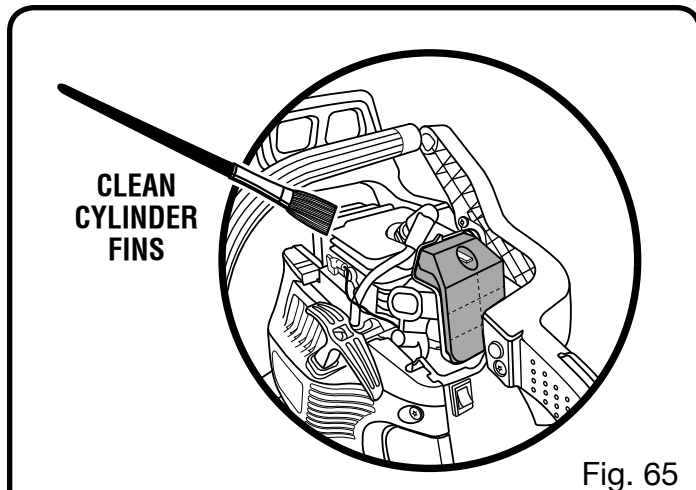
See Figure 67.

Check the fuel filter periodically. If contaminated or damaged, have fuel filter replaced by an authorized service center.

## **REPLACING THE SPARK PLUG**

See Figure 68.

This engine uses a Champion RCJ6Y with .025 in. electrode gap. Use an exact replacement and



# MAINTENANCE

replace every 125 hours or more frequently, if necessary.

## **NOTICE:**

Allow engine to cool before removing spark plug. Removing spark plug from a hot engine can cause serious damage to the chain saw.

- Loosen the spark plug by turning it counter-clockwise with the combination wrench provided or other appropriate socket wrench.
- Remove the spark plug.
- Hand thread the new spark plug, turning it clockwise. Tighten securely with wrench.

**NOTE:** Be careful not to cross-thread the spark plug. Cross-threading will seriously damage the cylinder.

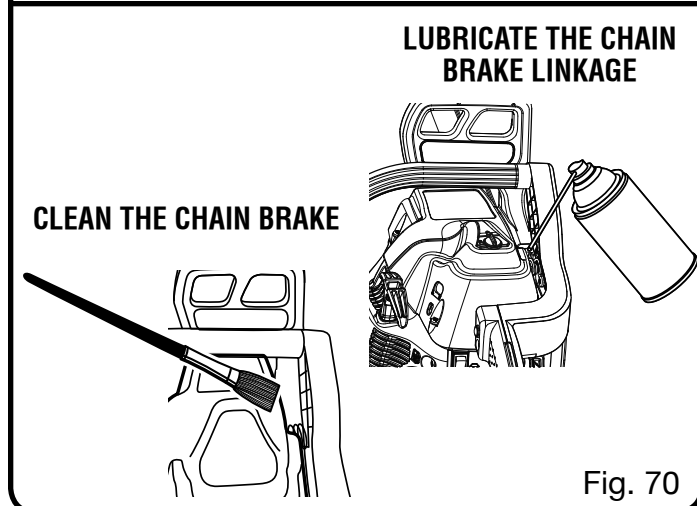
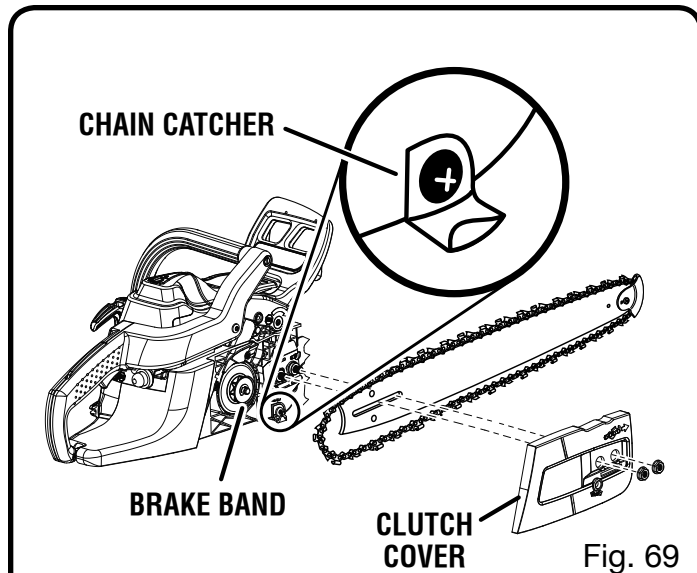
## **CLEANING THE EXHAUST PORT, MUFFLER, AND SPARK ARRESTOR**

## **NOTICE:**

This product is equipped with a spark arrestor that has been evaluated by the USDA Forest Service; however, product users must comply with Federal, State, and local fire prevention regulations. Check with appropriate authorities. Contact customer service or a qualified service center to purchase a replacement spark arrestor.

**NOTE:** Depending on the type of fuel used, the type and amount of lubricant used, and/or your operating conditions, the exhaust port, muffler, and/or spark arrestor screen may become blocked with carbon deposits. If you notice a power loss with your gas powered tool, you may need to remove these deposits to restore performance. We highly recommend that only qualified service technicians perform this service.

The spark arrestor must be cleaned or replaced every 50 hours or yearly to ensure proper performance of your product. Spark arrestors may be in different locations depending on the model purchased. Please contact your nearest service dealer for the location of the spark arrestor for your model.



## **WARNING:**

Never run the chain saw without a muffler equipped with a spark arrestor in place. Failure to do so could result in a fire that could cause serious personal injury.

## **INSPECTING AND CLEANING CHAIN BRAKE**

See Figures 69 - 70.

- Remove the clutch cover and clean the chain brake components. Check wear on the brake band and replace if worn or deformed. The band thickness should not be less than 0.024 in., or worn halfway through.
- Always keep the chain brake mechanism clean and lightly brush the linkage.

# MAINTENANCE

- Always test the chain brake performance after cleaning. Refer to **Operating Chain Brake** for additional information.
- Check the chain catcher and replace if damaged.

**⚠ WARNING:**

Even with daily cleaning of the mechanism, the dependability of a chain brake to perform under field conditions cannot be certified. Keep the SAFE-T-TIP™ nose guard on the saw's guide bar and use proper cutting techniques.

## STORING THE PRODUCT

- Clean all foreign material from the product. Store it in a well-ventilated place that is inaccessible to children. Keep away from corrosive agents such as garden chemicals and de-icing salts.
- Abide by all Federal and local regulations for the safe storage and handling of gasoline.

### When storing 1 month or longer:

- Drain all fuel from tank into a container approved for gasoline.

- Run the engine until it stops. This will remove all fuel-lubricant mix that could become stale and leave varnish and gum in the fuel system.
- Squeeze primer bulb several times to purge fuel from carburetor.
- Drain all bar and chain lubricant from tank into a container approved for oil.
- Always place the scabbard over the guide bar and chain before transporting or storing the unit.

## HIGH ALTITUDE ENGINE OPERATION

Please have an authorized service center adjust this engine if it is to be run above 2000 feet. Failure to do so may result in poor engine performance and increased emissions. An engine adjusted for high altitudes can not be run at 2000 feet or lower. In doing so, the engine will overheat and cause serious engine damage. Please have an authorized service center restore high altitude modified engines to the original factory specification before operating below 2000 feet.

## MAINTENANCE SCHEDULE

Maintenance Part	Inspect for Damage Before Each Use	Clean Every 5 Hours	Replace Every 25 Hours or Yearly	Replace Every 50 Hours
*CATALYTIC MUFFLER ASSEMBLY .....				X
SPARK SCREEN .....				X
*AIR FILTER ASSY				
includes:				
Filter.....		X		
*CARBURETOR ASSY				
includes:				
Gaskets .....	X			
*FUEL TANK ASSY				
includes:				
Fuel Lines .....	X			
Fuel Cap .....	X			
Fuel Filter.....			X	
*IGNITION ASSY				
includes:				
Spark Plug.....			X	
*NOTICE: THE USE OF EMISSION CONTROL COMPONENTS OTHER THAN THOSE DESIGNED FOR THIS UNIT IS A VIOLATION OF FEDERAL LAW.				

# BAR AND CHAIN COMBINATIONS

Chain specifications: 0.325 pitch, .05 in. chain gauge

Length of Bar  
20 in.

Guide Bar Part Number  
310629001

Chain Part Number  
900920027

Drive Links  
78 link

## TROUBLESHOOTING

Problem	Possible Cause	Solution
Engine will not start.	No spark.  Engine is flooded.	Clean or replace spark plug. Reset spark plug gap. Refer to <b>Spark Plug Replacement</b> earlier in this manual.  Remove spark plug. Move choke lever to <b>RUN</b> position (pushed in completely) and pull starter cord 15 to 20 times. This will clear excess fuel from engine. Clean and reinstall spark plug. Push and fully release primer bulb 10 times. Pull starter grip and rope three times with choke lever at <b>RUN</b> . If engine does not start, move choke lever to <b>FULL CHOKE</b> and repeat normal starting procedure. If engine still fails to start, repeat procedure with a new spark plug.
Engine starts but will not accelerate properly.	Carburetor requires “ <b>L</b> ” (Low Jet) adjustment.	Contact an authorized service center for carburetor adjustment.
Engine starts, then dies.	Carburetor requires “ <b>L</b> ” (Low Jet) adjustment.	Contact an authorized service center for carburetor adjustment.
Engine starts but will not run properly at high speed.	Carburetor requires “ <b>H</b> ” (High Jet) adjustment.	Contact an authorized service center for carburetor adjustment.
Engine does not reach full speed and/or emits excessive smoke.	Lubricant/fuel mixture incorrect.  Air filter is dirty.  Spark arrestor screen is dirty.  Carburetor requires “ <b>H</b> ” (High Jet) adjustment.	Use fresh fuel and the correct 2-cycle lubricant mix ratio.  Clean air filter. Refer to <b>Cleaning the Air Filter</b> in the <i>Maintenance</i> section of this manual.  Clean spark arrestor screen. Refer to <b>Inspecting/Cleaning the Spark Arrestor Screen</b> in the <i>Maintenance</i> section of this manual.  Contact an authorized service center for carburetor adjustment.

# TROUBLESHOOTING

Problem	Possible Cause	Solution
Engine starts, runs, and accelerates but will not idle.	Carburetor requires adjustment to idle speed.	Turn idle speed screw “T” clockwise to increase idle speed. Refer to <b>Adjusting the Carburetor</b> in the <i>Maintenance</i> section of this manual.
Chain turns at idle.	Carburetor requires adjustment to idle speed. Air leak in the intake system.	Turn idle speed screw “T” counterclockwise to decrease speed. Refer to <b>Adjusting the Carburetor</b> in the <i>Maintenance</i> section of this manual. Contact an authorized service center for a rebuild kit.
Bar and chain running hot and smoking.	Chain oil tank empty. Chain tension is too tight. Oiler is not functioning.	Oil tank should be filled every time fuel tank is filled. Tension chain per instructions in <b>Adjusting the Chain Tension</b> in the <i>Maintenance</i> section of this manual. Run at half throttle 30 to 45 seconds. Stop saw and check for lubricant dripping from SAFE-T-TIP™ and guide bar. If lubricant is present, the chain may be dull or bar may be damaged. If no lubricant is on the SAFE-T-TIP™, contact an authorized service center.
Engine starts and runs, but chain is not rotating.	Chain brake is engaged. Chain tension is too tight. Guide bar and chain assembled incorrectly. Guide bar and/or chain are damaged. Drive sprocket teeth damaged	Release chain brake. Refer to <b>Operating the Chain Brake</b> in the <i>Operation</i> section of this manual. Tension chain per instructions in <b>Adjusting the Chain Tension</b> in the <i>Maintenance</i> section of this manual. Refer to <b>Replacing the Guide Bar and Chain</b> in the <i>Maintenance</i> section of this manual. Inspect guide bar and chain for damage. Contact an authorized service center for drive sprocket replacement.

If problem persists after trying the above solutions, contact customer service or a qualified service center for assistance.

## **NOTICE:**

As the equipment owner, you are responsible for the performance of the required maintenance listed in the *Maintenance* section. It is recommended that you retain all receipts covering maintenance on your equipment. Neglecting or failing to perform the required maintenance may increase emissions, decrease fuel efficiency, degrade performance, cause irreversible engine damage and/or void your warranty.

# WARRANTY

## LIMITED WARRANTY STATEMENT

Techtronic Industries North America, Inc., warrants to the original retail purchaser that this RYOBI® brand outdoor product is free from defect in material and workmanship and agrees to repair or replace, at Techtronic Industries North America, Inc.'s, discretion, any defective product free of charge within these time periods from the date of purchase.

- Three years if the product is used for personal, family or household use;
- 90 days, if used for any other purpose, such as commercial or rental.

This warranty extends to the original retail purchaser only and commences on the date of the original retail purchase.

Any part of this product found in the reasonable judgment of Techtronic Industries North America, Inc. to be defective in material or workmanship will be repaired or replaced without charge for parts and labor by an authorized service center for RYOBI® brand outdoor products (Authorized Ryobi Service Center).

The product, including any defective part, must be returned to an authorized Ryobi service center within the warranty period. The expense of delivering the product to the service center for warranty work and the expense of returning it back to the owner after repair or replacement will be paid by the owner. Techtronic Industries North America, Inc.'s, responsibility in respect to claims is limited to making the required repairs or replacements and no claim of breach of warranty shall be cause for cancellation or rescission of the contract of sale of any RYOBI® brand outdoor product. Proof of purchase will be required by the dealer to substantiate any warranty claim. All warranty work must be performed by an authorized service dealer.

This warranty is limited to ninety (90) days from the date of original retail purchase for any RYOBI® brand outdoor product that is used for rental or commercial purposes, or any other income-producing purpose.

This warranty does not cover any product that has been subject to misuse, neglect, negligence, or accident, or that has been operated in any way contrary to the operating instructions as specified in this operator's manual. This warranty does not apply to any damage to the product that is the result of improper maintenance or to any product that has been altered or modified. The warranty does not extend to repairs made necessary by normal wear or by the use of parts or accessories which are either incompatible with the RYOBI® brand outdoor product or adversely affect its operation, performance, or durability. In addition, this warranty does not cover:

- A. Tune-ups – Spark Plugs, Carburetor, Carburetor Adjustments, Ignition, Filters
- B. Wear items – Bump Knobs, Outer Spools, Cutting Strings, Inner Reels, Starter Pulleys, Starter Ropes, Drive Belts, Tines, Felt Washers, Hitch Pins, Mulching Blades, Blower Fans, Blower and Vacuum Tubes, Vacuum Bag and Straps, Guide Bars, Saw Chains

Techtronic Industries North America, Inc., reserves the right to change or improve the design of any RYOBI® brand outdoor product without assuming any obligation to modify any product previously manufactured.

ALL IMPLIED WARRANTIES ARE LIMITED IN DURATION TO THE STATED WARRANTY PERIOD. ACCORDINGLY, ANY SUCH IMPLIED WARRANTIES INCLUDING MERCHANTABILITY, FITNESS FOR A PARTICULAR PURPOSE, OR OTHERWISE, ARE DISCLAIMED IN THEIR ENTIRETY AFTER THE EXPIRATION OF THE APPROPRIATE THREE-YEAR OR NINETY-DAY WARRANTY PERIOD. TECHTRONIC INDUSTRIES NORTH AMERICA, INC.'S, OBLIGATION UNDER THIS WARRANTY IS STRICTLY AND EXCLUSIVELY LIMITED TO THE REPAIR OR REPLACEMENT OF DEFECTIVE PARTS AND TECHTRONIC INDUSTRIES NORTH AMERICA, INC., DOES NOT ASSUME OR AUTHORIZE ANYONE TO ASSUME FOR THEM ANY OTHER OBLIGATION. SOME STATES DO NOT ALLOW LIMITATIONS ON HOW LONG AN IMPLIED WARRANTY LASTS, SO THE ABOVE LIMITATION MAY NOT APPLY TO YOU. TECHTRONIC INDUSTRIES NORTH AMERICA, INC., ASSUMES NO RESPONSIBILITY FOR INCIDENTAL, CONSEQUENTIAL, OR OTHER DAMAGES INCLUDING, BUT NOT LIMITED TO, EXPENSE OF RETURNING THE PRODUCT TO AN AUTHORIZED RYOBI SERVICE CENTER AND EXPENSE OF DELIVERING IT BACK TO THE OWNER, MECHANIC'S TRAVEL TIME, TELEPHONE OR TELEGRAM CHARGES, RENTAL OF A LIKE PRODUCT DURING THE TIME WARRANTY SERVICE IS BEING PERFORMED, TRAVEL, LOSS OR DAMAGE TO PERSONAL PROPERTY, LOSS OF REVENUE, LOSS OF USE OF THE PRODUCT, LOSS OF TIME, OR INCONVENIENCE. SOME STATES DO NOT ALLOW THE EXCLUSION OR LIMITATION OF INCIDENTAL OR CONSEQUENTIAL DAMAGES, SO THE ABOVE LIMITATION OR EXCLUSION MAY NOT APPLY TO YOU.

This warranty gives you specific legal rights, and you may also have other rights which vary from state to state.

This warranty applies to all RYOBI® brand outdoor products manufactured by or for Techtronic Industries North America, Inc., and sold in the United States and Canada.

To locate your nearest Authorized Ryobi Service Center, dial 1-800-860-4050.





# RÈGLES DE SÉCURITÉ GÉNÉRALES

## **AVERTISSEMENT :**

**Lire et veiller à bien comprendre toutes les instructions.** Le non-respect des instructions ci-dessous peut entraîner un choc électrique, un incendie et des blessures graves.

## LIRE TOUTES LES INSTRUCTIONS

- **Apprendre à connaître l'outil.** Lire attentivement le manuel d'utilisation. Apprendre les applications et les limites de la scie, ainsi que les risques spécifiques relatifs à son utilisation.
- **Un rebond peut se produire lorsque l'extrémité du guide de chaîne touche un objet** ou lorsque le bois se referme sur la lame et la pince dans l'entaille. Dans certains cas, le contact de la pointe de la lame avec un objet peut causer une réaction fulgurante, projetant le guide vers le haut et l'arrière, en direction de l'opérateur. Le pincement de la chaîne sur le haut du guide peut causer une projection violente de la lame en arrière, en direction de l'utilisateur. Ces deux réactions peuvent entraîner la perte de contrôle de la scie, et causer des blessures graves. Ne pas compter exclusivement sur les dispositifs de sécurité intégrés à la scie. L'utilisateur doit prendre un certain nombre de précautions pour éviter les accidents et blessures.
  - Une compréhension élémentaire du rebond peut permettre de réduire ou éliminer l'élément de surprise. Les surprises sont propices aux accidents.
  - Tenir fermement la scie à deux mains lorsque le moteur tourne. Placer la main droite sur la poignée arrière et la main gauche sur la poignée avant, le pouce et les autres doigts solidement refermés sur les deux poignées. Une prise ferme, bras gauche tendu facilite le contrôle de la scie en cas de rebond.
  - S'assurer que l'endroit où la scie est utilisée est dépourvu de tout obstacle. NE PAS laisser l'extrémité du guide entrer en contact avec une bille, une branche, une palissade ou tout autre obstacle risquant d'être heurté pendant le sciage.
  - Couper avec le moteur tournant à haut régime. Toujours couper avec le moteur tournant à sa vitesse maximum. Serrer la gâchette d'accélérateur à fond et maintenir une vitesse de coupe constante.
  - Ne pas travailler hors de portée ni couper au-dessus de la hauteur de la poitrine.
- Suivre les instructions d'affûtage et d'entretien fournies par le fabricant de la scie à chaîne.
- Utiliser exclusivement les guides et chaînes spécifiés par le fabricant ou leur équivalent.
- **Ne pas utiliser la scie en la tenant d'une seule main.** Ceci exposerait l'utilisateur, les autres travailleurs et toutes les personnes présentes à des risques de blessures graves. Les scies à chaîne sont conçues pour être utilisées à deux mains.
- **Ne pas utiliser la scie à chaîne en état de fatigue.** La fatigue entraîne le manque de prudence. Ne jamais utiliser cette scie en état de fatigue, si l'on est souffrant ou préoccupé, ou sous l'influence de l'alcool, de drogues ou de médicaments.
- **Restez vigilant** - Regardez ce que vous faites et utilisez votre meilleur jugement lorsque vous utilisez la tondeuse. N'utilisez pas la tondeuse si vous êtes fatigué, contrarié ou sous influence de drogues, d'alcool ou de médicaments. Un moment d'inattention pendant l'utilisation de la tondeuse peut résulter en une blessure grave.
- **Le travail à la scie à chaîne peut être épuisant.** Si vous souffrez d'une maladie qui pourrait s'aggraver ou un handicap qui pourrait vous empêcher de manœuvrer et de contrôler la scie à chaîne de manière sécuritaire, consultez votre médecin avant de l'utiliser.
- **Porter des chaussures de sécurité.** Porter des vêtements ajustés, des gants de protection, une protection oculaire, une protection auditive et un casque.
- **Le port d'un vêtement de protection lourd peut accroître la fatigue chez l'utilisateur et lui occasionner un coup de chaleur.** Par temps chaud et humide, les travaux exigeants devraient être planifiés en début de matinée ou à la fin de la journée, lorsque le temps est plus frais.
- **Ne pas se tenir sur une surface instable,** telle qu'une échelle, un échafaudage, un arbre, etc., lors de l'utilisation de la scie.
- **Manipuler le carburant avec précaution.** Éloigner la scie à chaîne d'au moins 9 m (30 pi) du point de ravitaillement avant de lancer le moteur.
- **Ne laisser personne approcher de la scie pendant le démarrage ou le sciage.** Éloigner les badauds et animaux domestiques de la zone de travail.
- **Ne pas commencer à couper sans avoir déblayé la zone de travail,** se tenir bien campé et avoir prévu une trajectoire pour échapper à l'arbre en train de s'abattre.
- **Garder toutes les parties du corps à l'écart de la scie à chaîne** lorsque le moteur tourne.

# RÈGLES DE SÉCURITÉ GÉNÉRALES

- **Toujours transporter la scie à chaîne avec le moteur arrêté et le frein engagé**, le guide et la chaîne dirigés vers l'arrière et l'échappement à l'opposé du corps. Lors du transport de la scie, utiliser le fourreau de guide approprié.
- **Ne jamais utiliser une scie à chaîne endommagée**, incorrectement réglée ou pas complètement et solidement assemblée. S'assurer que la chaîne s'immobilise lorsque la gâchette d'accélérateur est relâchée.
- **Arrêter le moteur avant de poser la scie**. Ne pas laisser le moteur en marche sans surveillance. Par mesure de sécurité supplémentaire, engager le frein avant de poser la scie.
- **Faire preuve de la plus extrême prudence lors de la coupe de petits buissons et de jeunes arbres**, car les branchettes fines peuvent se prendre dans la chaîne et fouetter l'utilisateur ou le déséquilibrer.
- **Lors de la coupe d'une branche sous tension**, toujours rester vigilant, car la branche risque de fouetter lorsque la tension dans les fibres de bois est relâchée.
- **Garder les poignées sèches**, propres et exemptes d'huile ou de mélange de carburant.
- **Ne pas démarrer ou faire tourner le moteur dans un espace confiné, de bâtiment, à proximité des fenêtres ouverts, autre ou des zones sans ventilation où des vapeurs toxiques de monoxyde de carbone peuvent s'accumuler. Le monoxyde de carbone, un gaz incolore, inodore et extrêmement toxique peut causer une perte de conscience et être mortel.**
- **Ne pas utiliser la scie en se tenant dans un arbre** à moins d'avoir reçu la formation nécessaire.
- **Ne pas couper si vous vous trouvez sur un échelle, une toiture ou tout autre support instable**; ceci est extrêmement dangereux.
- **Tous les entretiens et réparations**, autres que ceux décrits dans le manuel d'utilisation, doivent être confiés à un personnel dûment qualifié et spécialisé dans les réparations des scies à chaîne. (Par exemple, si des outils inadéquats sont utilisés pour enlever le volant-moteur ou le soutenir lors du démontage de l'embrayage, ce volant moteur risque de subir des dommages structurels, causant ultérieurement son éclatement).
- **Toujours garder un extincteur à portée de la main** lors de l'utilisation de scie à chaîne.
- **Utiliser exclusivement les guides et chaînes à faible risque de rebond** spécifiés pour l'outil.
- **Ne pas adapter le bloc-moteur à un guide à archet**, ni l'utiliser pour entraîner des accessoires non spécifiés pour la scie.
- **La scie à moteur à essence a reçu la classification CSA Z62.1-15 pour scies de classe 1C**. Elle est conçue pour être utilisée fréquemment par les propriétaires de maison ou chalet et les campeurs pour des applications d'ordre général, telles que la coupe de bois de chauffage, etc. Elle n'est pas conçue pour un usage prolongé. Les périodes d'utilisation prolongée peuvent entraîner des problèmes circulatoires dans les mains de l'opérateur, causés par les vibrations.
- **Conserver ces instructions**. Les consulter fréquemment et les utiliser pour instruire les autres utilisateurs. Si cet outil est prêté, il doit être accompagné de ces instructions.

# RÈGLES DE SÉCURITÉ PARTICULIÈRES

## **AVERTISSEMENT :**

Les avertissements, autocollants et instructions contenus dans cette section du manuel concernent la sécurité. Le non-respect de toutes les instructions peut entraîner des blessures graves.

- **Ne pas couper de lianes** ni de broussailles de petite taille [moins de 76 mm (3 po) de diamètre].
- **Les surfaces de l'échappement sont brûlantes pendant et après l'utilisation de la scie**. Garder toutes les parties du corps à l'écart de

l'échappement. Tout contact avec l'échappement peut causer des brûlures graves.

- **Toujours maintenir la scie à deux mains lorsque le moteur tourne**. La tenir fermement, les doigts et pouces encerclant les poignées.
- **Ne jamais laisser quiconque n'ayant pas reçu des instructions d'utilisation appropriées utiliser la scie**. Cette règle s'applique aux scies de location aussi bien qu'à celles appartenant à des particuliers.
- **Avant de lancer le moteur**, s'assurer que la chaîne n'est en contact avec aucun objet.

# RÈGLES DE SÉCURITÉ PARTICULIÈRES

- **Porter des vêtements bien ajustés.** Toujours porter des pantalons longs, des bottes et des gants épais. Ne pas porter de bijoux, shorts, sandales et ne pas travailler pieds nus. Ne pas porter des vêtements amples qui pourraient être happés dans le moteur ou se prendre dans la chaîne ou les broussailles. Porter une combinaison, des jeans, des jambières en matériau résistant aux coupures ou dotés de pièces résistantes aux coupures. Attacher les cheveux longs pour les maintenir au-dessus des épaules.
- **Porter des chaussures de sécurité à semelles antidérapantes et des gants épais** pour assurer une bonne prise et protéger les mains.
- **Porter une protection oculaire certifiée conforme à la norme ANSI Z87.1, ainsi qu'une protection auditive et un casque** lors de l'utilisation de cet outil.
- **Éloigner les badauds et animaux domestiques de la zone de travail.** Ne laisser personne approcher de la scie pendant le démarrage ou le sciage.  
**NOTE :** L'étendue de la zone de travail dépend du type de sciage effectué ainsi que de la taille de l'arbre ou de la pièce à débiter. Par exemple, l'abattage d'un arbre exige une zone de travail plus grande que d'autres travaux de coupe (tronçonnage de branches, etc.).
- **Garder la protection antirebond SAFE-T-TIP™ correctement installée sur le guide** pour éviter le rebond rotatif.
- **Suivre les instructions d'affûtage et d'entretien fournies** par le fabricant de la scie à chaîne.
- **Ne jamais utiliser une scie à chaîne endommagée, incorrectement réglée ou pas complètement et solidement assemblée.** S'assurer que la chaîne s'immobilise lorsque la gâchette d'accélérateur est relâchée. Si la chaîne continue de tourner lorsque le moteur est au ralenti, il peut être nécessaire de régler le carburateur. Voir **Réglage du carburateur** à la section *Entretien* de ce manuel. Si la chaîne continue de tourner au ralenti après avoir effectué le réglage, la confier à un centre de réparations qualifié et ne plus l'utiliser tant que les réparations n'ont pas été effectuées.
- **Ce produit est conçu pour un usage occasionnel par les particuliers et autres utilisateurs** et pour des applications générales comme le débroussaillage, l'élagage, la coupe de bois,

etc. Il n'est pas destiné à un usage intensif. Les périodes d'utilisation prolongée peuvent entraîner des problèmes circulatoires dans les mains de l'opérateur, causés par les vibrations. Pour une telle utilisation, il peut être préférable d'utiliser un produit muni d'un dispositif antivibrations.

## APPROVISIONNEMENT EN CARBURANT (NE PAS FUMER !)

- **Manipuler le carburant avec précaution pour réduire les risques d'incendies et de brûlures.** Le carburant est extrêmement inflammable.
- **Mélanger et conserver le carburant** dans un bidon ou jerrycan approuvé pour l'essence.
- **Mélanger le carburant à l'extérieur**, loin de toute flamme ou source d'étincelles.
- **Poser l'outil sur un sol nu, couper le moteur et le laisser refroidir** avant de faire le plein.
- **Desserrer lentement le bouchon du réservoir de carburant** pour relâcher la pression et éviter que le carburant ne s'échappe.
- **Une fois le réservoir plein, remettre le bouchon en place et le serrer fermement.**
- **Essuyer tout le carburant éventuellement répandu sur l'outil.** S'éloigner de 9 m (30 pi) du point d'approvisionnement avant de lancer le moteur.
- **N'essayer en aucun cas de brûler** le carburant répandu.




## REBOND

- **Le rebond est une réaction dangereuse pouvant causer des blessures graves.** Ne pas compter exclusivement sur les dispositifs de sécurité fournis avec la scie. L'utilisateur doit prendre un certain nombre de précautions particulières pour éviter les accidents et blessures au cours de son travail. Voir les sections *Règles de sécurité générales et Utilisation* de ce manuel pour des informations supplémentaires concernant le rebond et les moyens d'éviter des blessures graves.
- **ATTENTION :** L'utilisateur ne doit pas utiliser une chaîne de scie de rechange sauf si elle a été conçue pour répondre aux exigences de performance de rebond selon la norme ANSI/OPEI B175.1-2012 pour cet ensemble moteur spécifique ou si elle a été désignée comme chaîne de scie de rechange ayant un faible rebond conforme à la norme ANSI/OPEI B175.1-2012.








**CONSERVER CES INSTRUCTIONS**

# SYMBOLES

Les termes de mise en garde suivants et leur signification ont pour but d'expliquer le degré de risques associé à l'utilisation de ce produit.









SYMBOLE	SIGNAL	SIGNIFICATION
	<b>DANGER :</b>	Indique une situation dangereuse qui, si elle n'est pas évitée, aura pour conséquences des blessures graves ou mortelles.
	<b>AVERTISSEMENT :</b>	Indique une situation dangereuse qui, si elle n'est pas évitée, pourrait entraîner des blessures graves ou mortelles.
	<b>ATTENTION :</b>	Indique une situation dangereuse qui, si elle n'est pas évitée, pourrait entraîner des blessures légères ou de gravité modérée.
	<b>AVIS :</b>	(Sans symbole s'alerte de sécurité) Indique les informations jugées importantes sans toutefois représenter un risque de blessure (ex. : messages concernant les dommages matériels).

Certains des symboles ci-dessous peuvent être utilisés sur ce produit. Veiller à les étudier et à apprendre leur signification. Une interprétation correcte de ces symboles permettra d'utiliser ce produit plus efficacement et de réduire les risques.

SYMBOLE	NOM	DÉSIGNATION / EXPLICATION
	Symbole d'alerte de sécurité	Indique un risque de blessure potentiel.
	Lire le manuel d'utilisation	Pour réduire les risques de blessures, l'utilisateur doit lire et veiller à bien comprendre le manuel d'utilisation avant d'utiliser ce produit.
	Protections oculaire, auditive et casque	Porter une protection oculaire avec écrans latéraux certifiée conforme à la norme ANSI Z87.1, ainsi qu'une protection auditive et un casque lors de l'utilisation de cet outil.
	La tenir à l'écart de lignes électriques et ne laisser personne s'approcher	<b>DANGER !</b> Risque d'électrocution ! Ne pas travailler à moins de 15m (50 pi) de lignes électriques. Pour l'abattage, garder les badauds et animaux domestiques à une distance de 15 m (50 pi) minimum ou au moins deux fois la taille de l'arbre le plus grand se trouvant dans la zone de coupe.
	Protection de nez SAFE-T-TIP™	La protection de nez SAFE-T-TIP™ du guide-chaîne permet d'éviter le rebond.
	Tenir la scie à deux mains	Tenir la scie à deux mains et l'utiliser correctement.
	Une main	Ne pas tenir la scie d'une seule main.

# SYMBOLES

Certains des symboles ci-dessous peuvent être utilisés sur ce produit. Veiller à les étudier et à apprendre leur signification. Une interprétation correcte de ces symboles permettra d'utiliser ce produit plus efficacement et de réduire les risques.

SYMBOLE	NOM	DÉSIGNATION / EXPLICATION
	Contact avec l'extrémité du guide	Éviter tout contact avec l'extrémité du guide.
	Rebond	DANGER ! Attention aux rebonds.
	Gants	Porter des gants épais antidérapants lors de l'utilisation de la scie à chaîne.
	Chaussures de sécurité	Porter des chaussures de travail à semelle antidérapante lors de l'utilisation de l'outil.
	Ne pas fumer	Ne pas fumer, ne pas approcher de flammes vives ou étincelles.
	Monoxyde de carbone	Les moteurs à combustion produisent du monoxyde de carbone, un gaz toxique inodore et mortel. Ne pas utiliser la scie dans un espace clos.
	Ne laisser personne s'approcher	Garder les badauds et animaux domestiques à une distance de 15 m (50 pi) minimum.
	Essence et huile	Utiliser de l'essence sans plomb pour automobiles, présentant un indice d'octane de 87 $([R + M] / 2)$ ou plus. Cet outil utilise un moteur 2 temps qui nécessite un mélange d'essence et de lubrifiant 2 temps.

## **Système de lubrification automatique**

La lubrification est assurée par le système de lubrification automatique. Le système de lubrification est entraîné par le pignon et ne lubrifie l'outil que lorsque la chaîne est en mouvement.

## **Tronçonnage**

Coupe transversale d'un arbre abattu ou d'une bille de bois pour le débiter en tronçons.

## **Frein de chaîne**

Dispositif permettant d'arrêter la scie à chaîne.

## **Bloc moteur de scie à chaîne**

Scie à chaîne sans la chaîne et le guide.

## **Embrayage**

Mécanisme pour connecter et déconnecter un élément entraîné de la source d'entraînement rotatif.

## **Pignon d'entraînement**

Roue dentée entraînant la chaîne.

## **Abattage**

Opération de coupe d'un arbre pour le faire tomber.

## **Entaille d'abattage**

Entaille finale d'une opération d'abattage, pratiquée à l'opposé de l'entaille de dessous.

## **Poignée avant**

Poignée de maintien placée à l'avant de la scie à chaîne. Cette poignée est pour la main gauche.

## **Garde de poignée avant**

Barrière structurelle placée entre la poignée avant et le guide de chaîne de la scie, se trouvant généralement près de la position de la main sur la poignée avant et parfois utilisée comme levier de commande du frein de chaîne.

## **Guide de chaîne**

Structure rigide, dotée d'un rail de support et guidage de la chaîne.

## **Rebond**

Mouvement du guide vers le haut ou vers l'arrière se produisant lorsque la chaîne heurte un objet, tel qu'une bille de bois ou une branche, dans la partie supérieure de l'extrémité du guide, ou lorsque l'entaille se referme et pince la chaîne dans le bois.

## **Rebond (pincement)**

Recul brutal de la scie se produisant lorsque le bois de l'entaille se referme, sur la chaîne en rotation dans la partie supérieure du guide.

## **Rebond (rotatif)**

Mouvement brutal de la scie vers le haut et l'arrière pouvant se produire lorsque la chaîne en rotation heurte un objet, tel qu'une bille de bois ou une branche, dans la partie supérieure de l'extrémité du guide.

## **Chaîne à rebond réduit**

Une chaîne de scie à rebond faible est une chaîne conforme aux exigences de performance de rebond de la norme ANSI/OPEI B175.1-2012 et mise à l'épreuve conformément aux dispositions prévues par la norme ANSI/OPEI B175.1-2012.

## **Position de coupe normale**

Positions utilisées pour le tronçonnage et l'abattage.

## **Sifflet d'abattage**

Entaille permettant de diriger le sens de chute de l'arbre.

## **Poignée arrière**

Poignée de maintien placée à l'arrière de la scie. Elle comporte généralement l'accélérateur. Cette poignée est pour la main droite.

## **Guide de chaîne à rebond réduit**

Guide ayant été prouvé réduire considérablement le rebond.

## **Chaîne de rechange**

Chaîne conforme aux normes antirebond ANSI B175.1 lorsque testée sur certaines scies.

## **Protection antirebond SAFE-T-TIP™**

Accessoire pouvant être monté à l'extrémité du guide pour empêcher que la chaîne ne contacte le bois à cet endroit.

## **Chaîne**

Une chaîne en boucle dotée de dents pour la coupe du bois, entraînée par le pignon et supportée par le guide.

## **Fouet**

Arbuste ou branche fléchie ou bloquée sous tension. Cette pièce peut se détendre brusquement lorsqu'elle est coupée, créant une situation dangereuse.

# CARACTÉRISTIQUES

## SPÉCIFICATIONS

Longueur du guide : ..... 50 cm (20 po)  
Pas de la chaîne ..... 8,3 mm (0,325 po)  
Épaisseur de la chaîne ..... 1,27 mm (0,050 po)  
Type de chaîne ..... Standard  
Maillons d'entraînement de la chaîne ..... 78  
Pignon d'entraînement ..... 7 dents  
Cylindrée ..... 50 cc

Régime de ralenti ..... 2 600-3 400 r/min (RPM)  
Contenance du réservoir  
de carburant ..... 575 ml (19,4 oz)  
Volume du réservoir d'huile  
de chaîne ..... 350 ml (11,8 oz)  
Poids, sans guide, chaîne,  
carburant ou huile ..... 5,0 kg (11 lb)

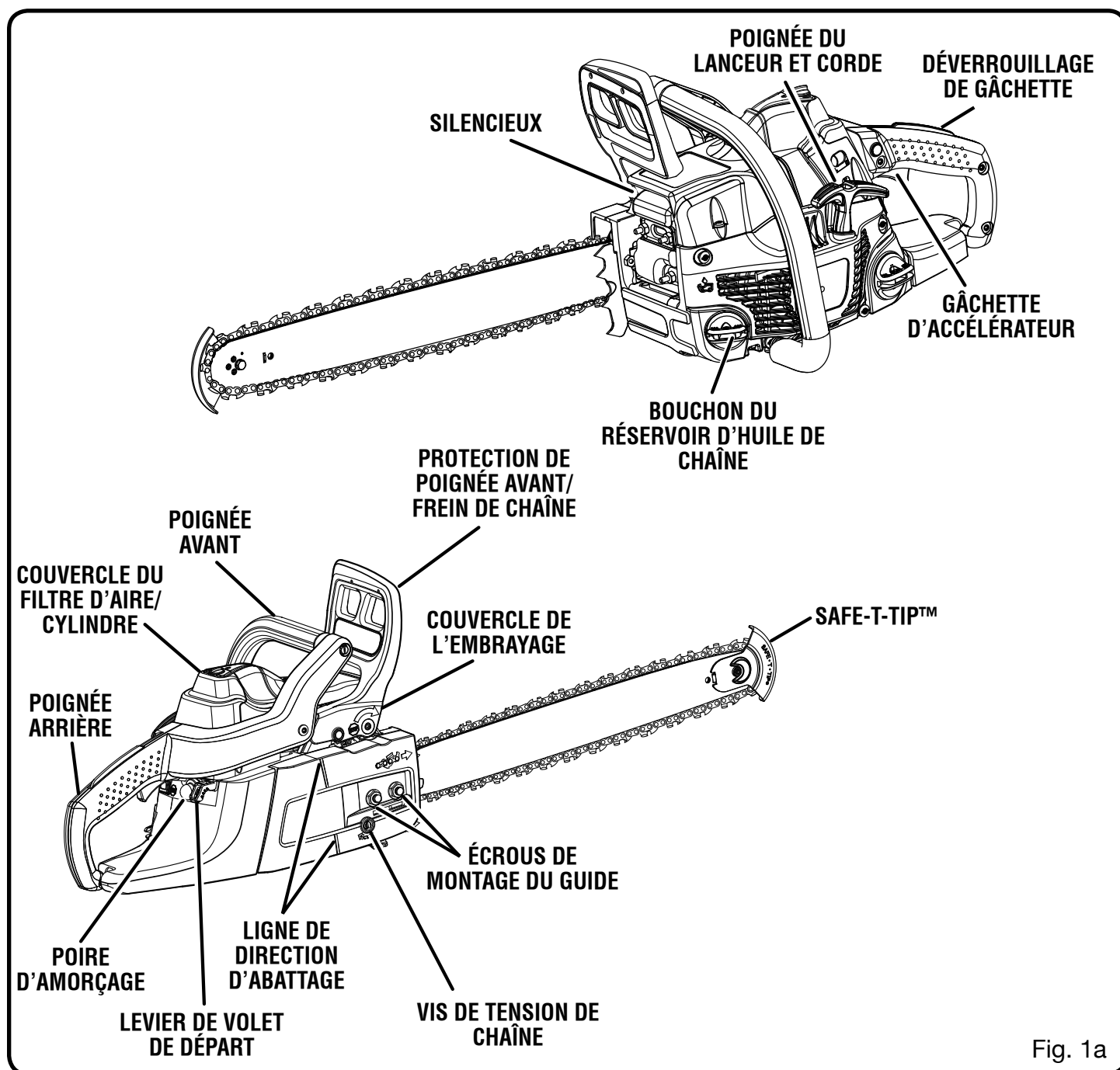
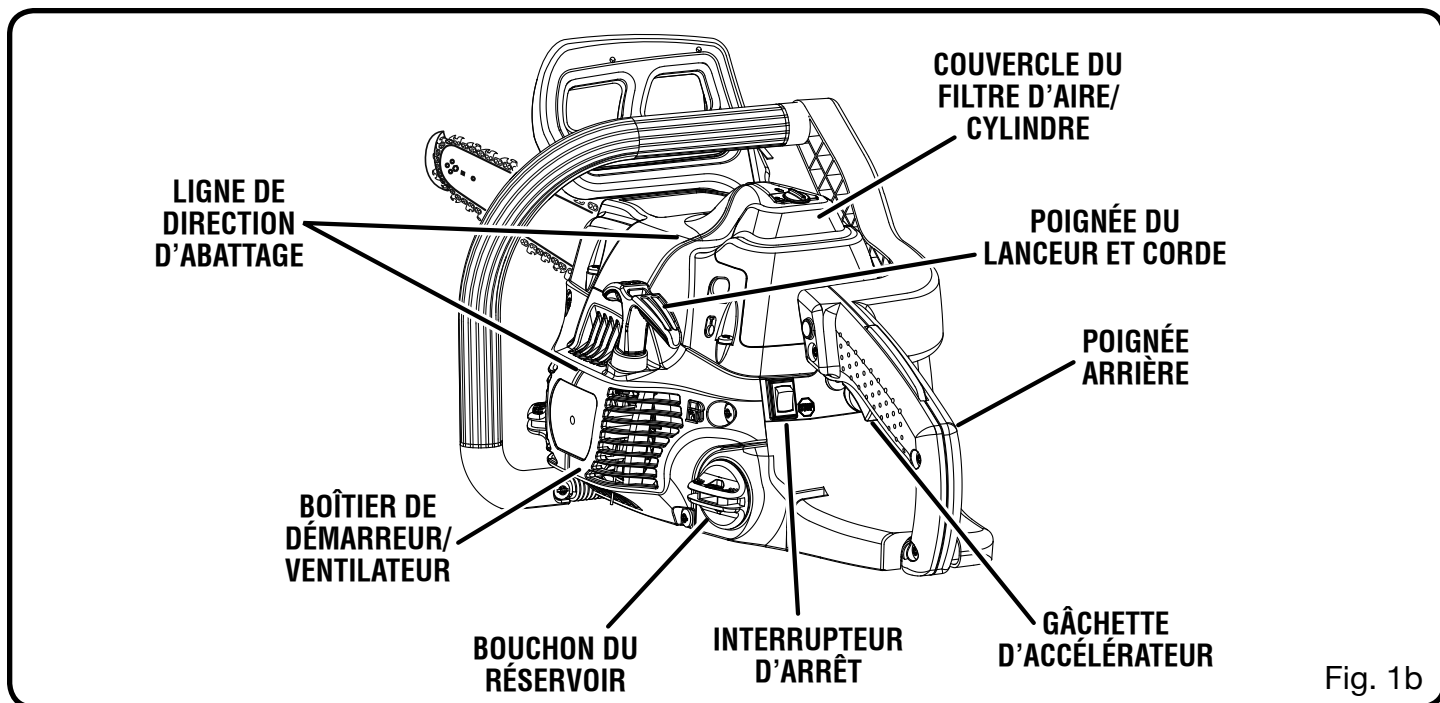


Fig. 1a



# CARACTÉRISTIQUES



## POUR SE FAMILIARISER AVEC LA SCIE À CHÂÎNE

Voir les figures 1a et 1b.

L'utilisation sûre de ce produit exige une compréhension des renseignements figurant sur le produit et contenus dans le manuel d'utilisation, ainsi qu'une bonne connaissance du projet entrepris. Avant d'utiliser ce produit, se familiariser avec toutes ses caractéristiques et règles de sécurité.

## LEVIER DE VOLET DE DÉPART

Le levier de volet de départ ouvre et ferme l'étrangleur dans le carburateur. Les positions disponibles comprennent VOLET DE DÉPART OUVERT et MARCHÉ.

## LIGNE DE DIRECTION D'ABATTAGE

La ligne de direction d'abattage aide l'utilisateur de la scie à chaîne à maintenir cette dernière correctement alignée pendant l'abattage d'arbres.

## PROTECTION DE POIGNÉE AVANT / FREIN DE CHÂÎNE

Ce frein est conçu pour arrêter rapidement la rotation de la chaîne. Lorsque le levier de frein de chaîne / protection de poignée est poussé vers le guide, la chaîne doit s'immobiliser immédiatement. Le frein de chaîne n'empêche pas le rebond.

## GUIDE

La tête du guide installé en usine est de faible rayon, ce qui offre une moindre tendance au rebond.

## CHÂÎNE À REBOND RÉDUIT

La chaîne à rebond réduit aide à limiter la force de réaction du rebond en empêchant les dents de mordre trop profondément dans la zone de rebond.

## POIRE D'AMORÇAGE

La poire d'amorçage pompe le carburant du réservoir de carburant vers le carburateur.

## PROTECTION ANTIREBOND SAFE-T-TIP™

La protection antirebond SAFE-T-TIP™ est un accessoire monté sur l'extrémité du guide, empêchant que la chaîne à cet endroit touche le bois.

## GÂCHETTE D'ACCÉLÉRATEUR

La gâchette d'accélérateur est utilisée pour contrôler la rotation de chaîne.

# ASSEMBLAGE

## DÉBALLAGE

Ce produit a été expédié complètement assemblé.

- Avec précaution, sortir le produit et les accessoires de la boîte. S'assurer que toutes les pièces figurant sur la liste de contrôle sont incluses.

### AVERTISSEMENT :

Ne pas utiliser le produit s'il n'est pas complètement assemblé ou si des pièces semblent manquantes ou endommagées. Le fait d'utiliser un produit assemblé de façon inadéquate ou incomplète peut entraîner des blessures graves.

- Examiner soigneusement le produit pour s'assurer que rien n'a été brisé ou endommagé en cours de transport.
- Ne pas jeter les matériaux d'emballage avant d'avoir soigneusement examiné le produit et avoir vérifié qu'il fonctionne correctement.
- Si des pièces sont manquantes ou endommagées, appeler le 1-800-860-4050.

## LISTE DE CONTRÔLE D'EXPÉDITION

Scie à chaîne  
Fourreau

## LISTE DE CONTRÔLE D'EXPÉDITION (*continu*)

Clé mixte  
Lubrifiant 2 temps  
Coffret de transport  
Manuel d'utilisation

### AVERTISSEMENT :

Si des pièces manquent ou sont endommagées, ne pas utiliser ce produit avant qu'elles aient été remplacées. Le fait d'utiliser ce produit même s'il contient des pièces endommagées ou s'il lui manque des pièces peut entraîner des blessures graves.

### AVERTISSEMENT :

Ne pas essayer de modifier ce produit ou de créer des accessoires non recommandés pour ce produit. De telles altérations ou modifications sont considérées comme un usage abusif et peuvent créer des conditions dangereuses, risquant d'entraîner des blessures graves.

**NOTE :** Cette scie à chaîne a été soumise à des essais complets en usine. Il est donc normal qu'elle présente des traces de lubrifiant. Lire toutes les étiquettes avant de les retirer et de les ranger avec le manuel d'utilisation.

# UTILISATION

### DANGER :

Ne jamais effectuer de coupes près de cerca de lignes, lignes cordon de électriques ou de sources de courant. Si les embouteillages de barre et chaîne sur la cordon électrique ou línea, **NE PAS MANIPULER LA GUIDE OU LA CHAÎNE! ELLE PEUT ÊTRE SOUS TENSION ET DONC, EXTRÊMEMENT DANGEREUSE.** Continuer de tenir scie à chaîne par la poignée arrière isolée ou le poser à l'écart en prenant les précautions nécessaires. Mettre le circuit électrique de la ligne électrique hors tension ou débrancher le cordon endommagé avant d'essayer de débloquer la lame. Le contact avec la barre et chaîne, d'autres parties conductrices du scie à chaîne, ou des cordons ou des fils électriques sous tension entraînerait mortelles, choc électrique, ou des blessures graves.

# UTILISATION

## **⚠ AVERTISSEMENT :**

Ne pas laisser la familiarité avec ce produit faire oublier la prudence. Ne pas oublier qu'une fraction de seconde d'inattention peut entraîner des blessures graves.

## **⚠ AVERTISSEMENT :**

Les surfaces du silencieux sont très chaudes pendant et après l'utilisation de la scie à chaîne. Garder toutes les parties du corps à l'écart du silencieux. Un contact avec le silencieux peut causer des brûlures graves.

## **⚠ AVERTISSEMENT :**

Toujours porter une protection oculaire avec écrans latéraux certifiée conforme à la norme ANSI Z87.1, avec protection auditive et un casque. Si cette précaution n'est pas prise, des objets peuvent être projetés dans les yeux et d'autres lésions graves.

## **⚠ AVERTISSEMENT :**

Ne pas utiliser d'outils ou accessoires non recommandés pour ce produit. L'utilisation de pièces et accessoires non recommandés peut entraîner des blessures graves.

## **⚠ AVERTISSEMENT :**

Ce produit est équipé d'un pare-étincelles qui a été évalué par le Service forestier des États-Unis; cependant, les utilisateurs du produit doivent respecter les réglementations locales et gouvernementales de lutte contre l'incendie. Consulter les autorités appropriées. Contacter le service à la clientèle ou un centre de réparations qualifié pour acheter un pare-étincelles de rechange.

## **⚠ AVERTISSEMENT :**

Ne jamais abattre un arbre ou couper des bûches ou des branches ayant un diamètre plus grand que le guide-chaîne. Seuls les professionnels bien formés peuvent exécuter ces coupes. L'exécution de ce genre de coupes peut provoquer un accident et occasionner des blessures graves ou mortelles.

## **AVIS :**

Avant chaque utilisation, inspecter au complet le produit afin de s'assurer qu'aucune pièce (vis, écrous, boulons, chapeaux, etc.) n'est endommagée, manquante ou desserrée. Serrer solidement toutes les pièces de fixation et les chapeaux et ne pas utiliser le produit tant que toutes les pièces manquantes ou endommagées n'ont pas été remplacées. Veuillez communiquer avec le service à la clientèle ou un centre de réparations qualifié pour obtenir de l'aide.

## **APPLICATIONS**

Ce produit peut être utilisé pour les applications ci-dessous :

- Ébranchage, abattage et débitage

# UTILISATION

## CARBURANT ET APPROVISIONNEMENT SÉCURITÉ DE MANIPULATION DU CARBURANT

### AVERTISSEMENT :

S'assurer de l'absence de fuites de carburant. Un bouchon de carburant qui fuit pose un risque d'incendie et doit être remplacé immédiatement. Toutes les fuites doivent être éliminées avant d'utiliser le produit. Ne pas prendre cette précaution peut causer un incendie, entraînant des blessures graves.

- Le carburant étant extrêmement inflammable, il doit toujours être manipulé avec précaution.
- Toujours faire le plein à l'extérieur et ne pas inhaler les vapeurs de carburant.
- Ne pas laisser l'essence ou le lubrifiant entrer en contact avec la peau.
- Garder le lubrifiant et l'essence à l'écart des yeux. En cas d'éclaboussure de lubrifiant ou de carburant dans les yeux, les rincer immédiatement à l'eau claire. Si l'irritation persiste, consulter immédiatement un médecin.
- Nettoyer immédiatement tout carburant répandu.

Pour plus de détails, voir **Approvisionnement en carburant** à la section *Règles de sécurité particulières* de ce manuel.

## CARBURANTS À BASE D'ÉTHANOL

### AVIS :

**Ne pas utiliser d'essence E15 ou E85 dans ce produit. Une telle utilisation représente une violation de la loi fédérale et endommagera l'appareil et annulera la garantie. Utiliser seulement de l'essence sans plomb ne contenant pas plus de 10 % d'éthanol.**

**NOTE :** Pour améliorer les performances de l'outil lors de l'utilisation de carburants à base d'éthanol, nous vous recommandons le lubrifiant Ethanol Shield 2-temps.

## MÉLANGE DU CARBURANT

Cet outil utilise un moteur deux temps qui nécessite le mélange d'essence et de lubrifiant 2 temps. Mélanger de l'essence sans plomb et de le lubrifiant moteur

2 temps dans un jerrycan propre homologué pour l'essence. NE PAS mélanger plus de carburant qu'il ne sera utilisé dans une période de 30 jours.

Carburant recommandé : Cet outil est certifié pour fonctionner avec de l'essence sans plomb pour véhicules automobiles.

**NOTE :** Nous recommandons l'utilisation de lubrifiant Ethanol Shield pour moteur 2 temps, ou une lubrifiant synthétique de première qualité semblable pour moteur 2 temps dans ce produit. Mélanger 76 ml par 3,8 L (2,6 oz par gallon US).

Ne pas utiliser de lubrifiant automobile ou pour moteur hors-bord 2 temps.

### LUBRIFIANT 2 TEMPS DE HAUTE QUALITÉ



#### ESSENCE

#### LUBRIFIANT

3,8 litre [1,0 gal (US)]

76 ml (2,6 oz)

9,5 litre [2,5 gal (US)]

189 ml (6,4 oz)

## REPLISSAGE DU RÉSERVOIR DE CARBURANT

Voir la figure 2.

### AVERTISSEMENT :

L'essence et les vapeurs qu'elle dégage sont extrêmement inflammables et explosives. Pour éviter des blessures graves et des dommages matériels, manipuler avec précaution. Garder le produit à l'écart des sources d'inflammation et des flammes vives, l'utiliser uniquement à l'extérieur, ne pas fumer, et essuyer rapidement tout carburant répandu.

- Nettoyer le pourtour du bouchon de remplissage pour éviter la contamination du carburant.
- Desserrer lentement le bouchon du réservoir de carburant, en le tournant dans le sens antihoraire.
- Verser soigneusement le mélange de carburant dans le réservoir. Éviter de répandre du carburant.
- Avant de remettre le bouchon en place, nettoyer et inspecter son joint torique.
- Remettre immédiatement le bouchon en place et le serrer à la main, en le tournant dans le sens horaire. Essuyer tout carburant répandu.
- S'éloigner d'au moins 9 m (30 pi) du point d'approvisionnement avant de lancer le moteur.

# UTILISATION

**NOTE :** Il est normal qu'un moteur neuf dégage de la fumée pendant et après la première utilisation.

## **⚠ AVERTISSEMENT :**

Toujours arrêter le moteur avant de faire le plein de carburant. Ne jamais retirer le bouchon du réservoir d'essence lorsque le moteur tourne ou est chaud. S'assurer que l'unité repose sur une surface plane, à niveau et de remplir seulement à l'extérieur. Si le moteur est chaud, laisser refroidir l'unité pendant au moins cinq (5) minutes avant d'ajouter de l'essence. Remettre immédiatement le bouchon du réservoir d'essence et le serrer fermement. S'éloigner d'au moins 9 m (30 pi) du point de ravitaillement avant de lancer le moteur. Ne pas fumer, et rester à l'écart des flammes vives et des étincelles ! Ne pas respecter ces instructions représente un risque d'incendie et de blessures graves.

## **APPOINT DE LUBRIFIANT POUR GUIDE ET CHÂÎNE**

Voir la figure 3.

Utiliser une lubrifiant conçue pour la lubrification des chaînes de scie à chaîne. Elles sont formulées pour allonger la durée de vie de la chaîne et du guide en les protégeant contre l'usure et en réduisant la friction et la chaleur. Cette scie à chaîne doit consommer approximativement un réservoir d'huile par réservoir de carburant.

**NOTE :** Ne pas utiliser de lubrifiant sale, usagée ou autrement contaminée. Cela pourrait endommager la pompe à huile, le guide ou la chaîne.

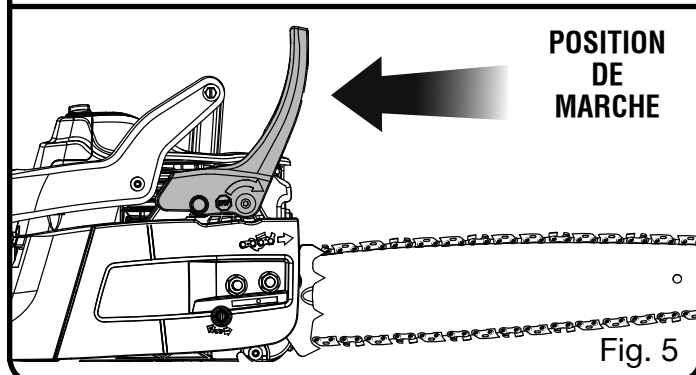
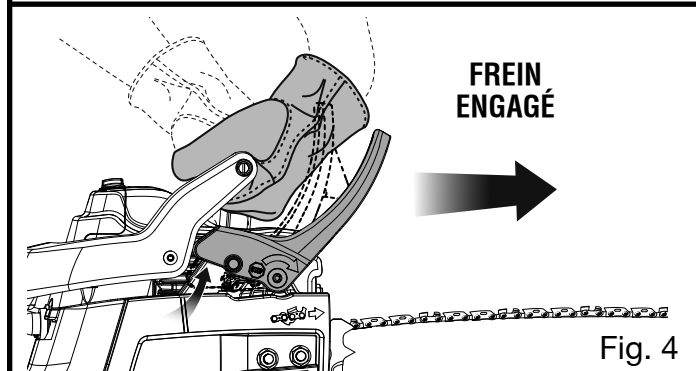
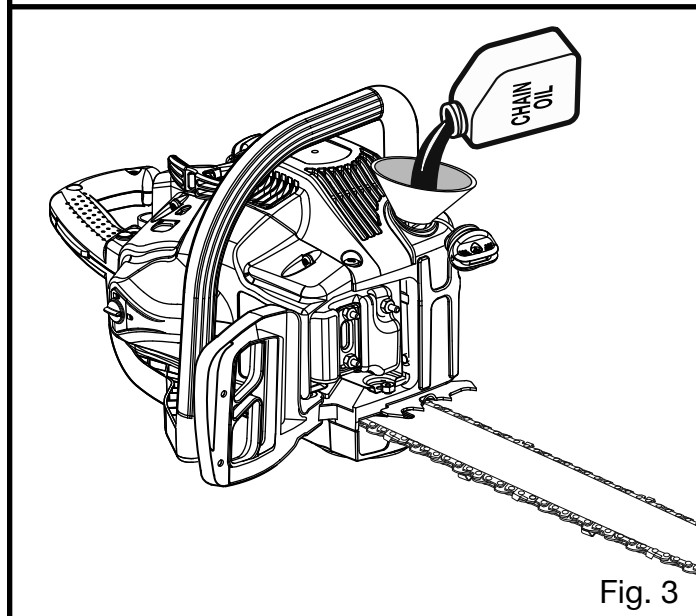
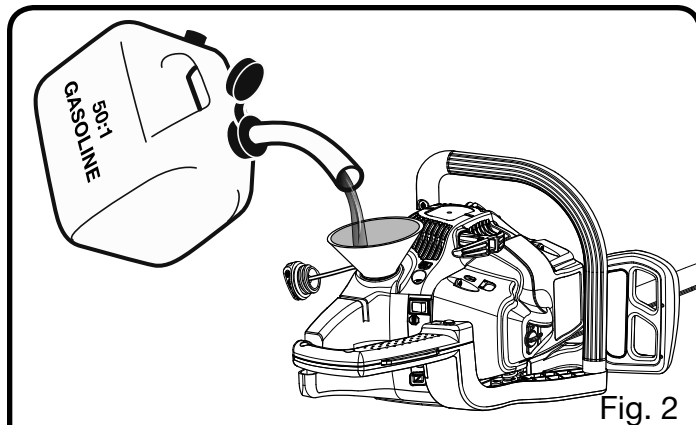
- Verser soigneusement le lubrifiant pour guide et chaîne dans le réservoir.
- Remplir le réservoir d'huile lors de chaque approvisionnement en carburant du moteur.

## **UTILISATION DU FREIN DE CHÂÎNE**

Voir les figures 4 et 5.

Le fonctionnement du frein de chaîne doit être vérifié avant chaque utilisation.

- Engager le frein de chaîne en faisant pivoter la main gauche autour de la poignée avant. Cela permet de pousser du revers de la main le levier du frein de chaîne et protège-main vers le guide-chaîne, alors que la chaîne tourne rapidement. S'assurer



# UTILISATION

que les deux mains demeurent en contact avec les poignées de la scie en tout temps.

- Remettre le frein en POSITION DE MARCHÉ en saisissant le haut du levier de frein/protège-main en direction de la poignée avant, jusqu'à ce qu'un déclic se produise.

## **⚠ AVERTISSEMENT :**

Si le frein n'arrête pas la chaîne immédiatement confier la scie à un centre de réparations agréé pour la faire réparer avant de l'utiliser de nouveau.

## **AVIS :**

Avant chaque utilisation, s'assurer que la chaîne est adéquatement tendue. Une chaîne froide est bien tendue lorsqu'il n'y a aucun mou sous le rail de guidage, que la chaîne est serrée et qu'elle peut être tournée à la main sans se coincer. Pendant l'utilisation normale de la scie, la température de la chaîne augmente. Les maillons-guide d'une chaîne chaude correctement tendue pendent à environ 1,27 mm (0,050 po) de la rainure du guide.

Pour bien ajuster la tension de la chaîne, consulter les instructions **Ajuster la tension de la chaîne** dans la section *Entretien* de ce guide.

## **DÉMARRAGE DU MOTEUR**

Voir les figures 6 à 10.

La méthode de démarrage n'est pas la même, selon que le moteur est chaud ou froid.

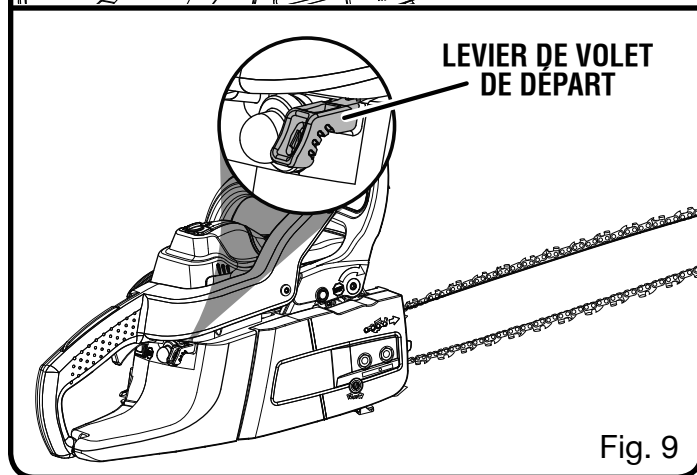
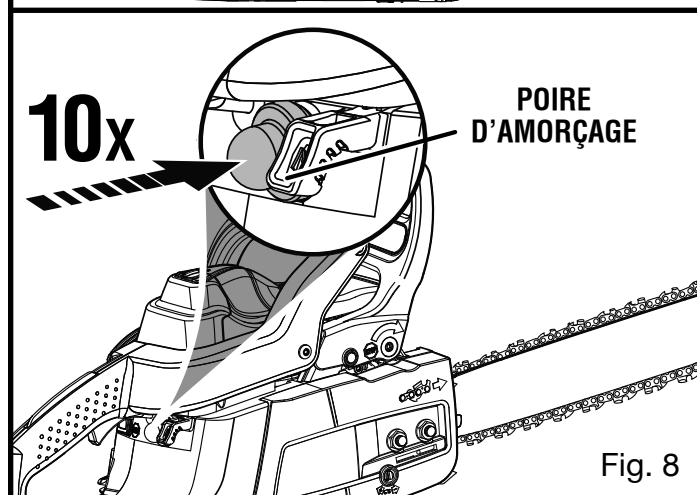
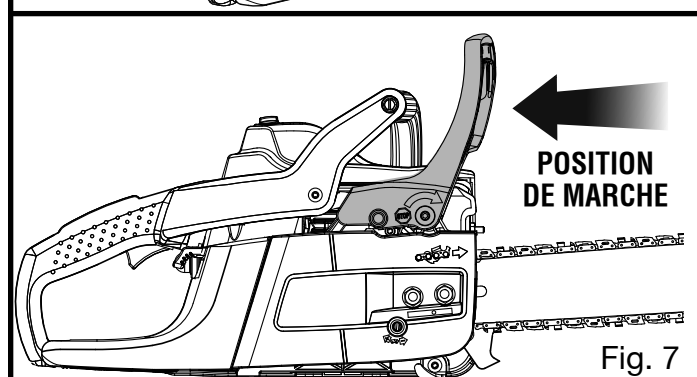
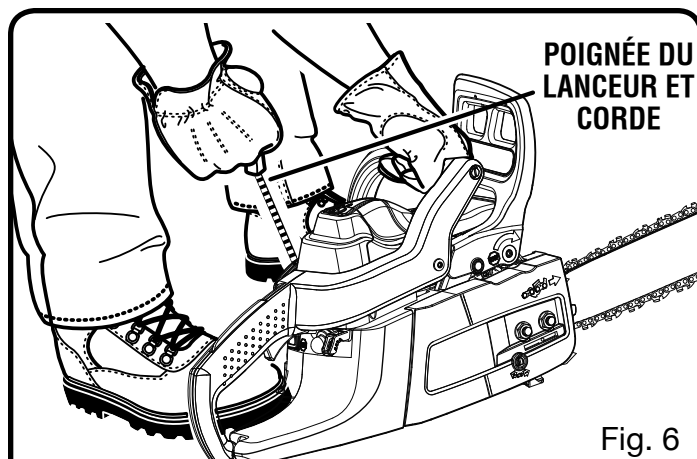
## **⚠ AVERTISSEMENT :**

Garder le corps à gauche de la ligne de chaîne. Ne jamais chevaucher la scie ou la chaîne ou se pencher au-delà de la ligne de chaîne.

- Placer la scie sur un sol plan et veiller à ce qu'aucun objet ou obstacle risquant d'être heurté par le guide ou la chaîne, ne se trouve à proximité.
- Tenir fermement la poignée avant de la main gauche et placer le pied droit sur la base de la poignée arrière.

### **Démarrage du moteur froid :**

- S'assurer que le frein de chaîne est en position de marche en tirant le levier/protège-main en arrière.
- Appuyer à fond sur la poire d'amorçage et la relâcher, 10 fois.



# UTILISATION

- Tirer le levier de volet de départ, en position **COMPLÈTEMENT OUVERTE**.
- Lorsque la température est supérieure à 10 °C (50 °F), tirer sur le poignée du lanceur et corde jusqu'à ce que le moteur essaie de démarrer. Ne pas tirer plus de 3 fois. Lorsque la température est inférieure à 10 °C (50 °F), tirer sur le poignée du lanceur et corde jusqu'à ce que le moteur essaie de démarrer. Ne pas tirer plus de 5 fois.
- Pousser le volet de départ en position **MARCHE**.
- Tirer sur le poignée du lanceur et corde lanceur jusqu'à ce que le moteur tourne.

**NOTE :** Laisser la scie tourner avec le volet de départ dans cette position pendant 15 à 30 secondes, suivant la température.

- Appuyer sur la gâchette et appuyer sur la gâchette et la relâcher laisser le moteur retourner au ralenti après une durée totale d'environ 30 secondes.

## AVIS :

Ne pas relâcher l'accélération partielle lorsque le frein de chaîne est engagé endommagerait gravement l'outil. Ne jamais appuyer sur la gâchette et la maintenir appuyée lorsque le frein de chaîne est engagé.

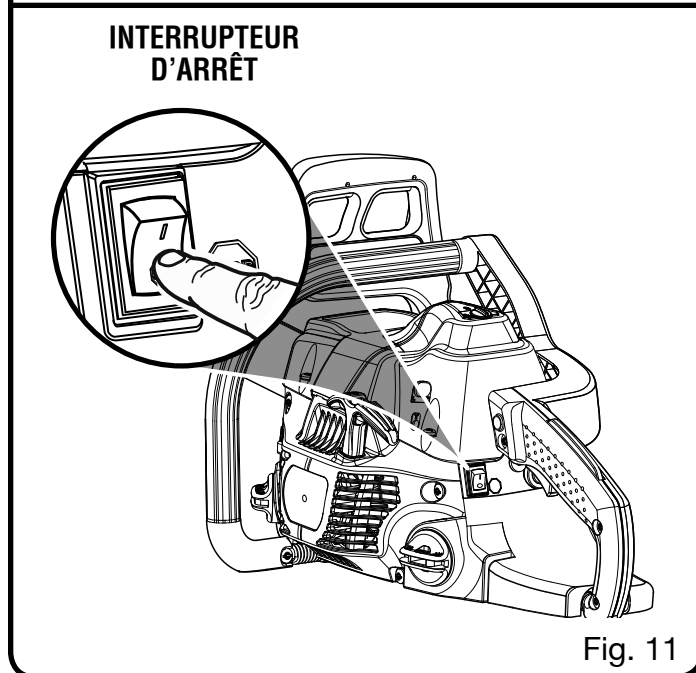
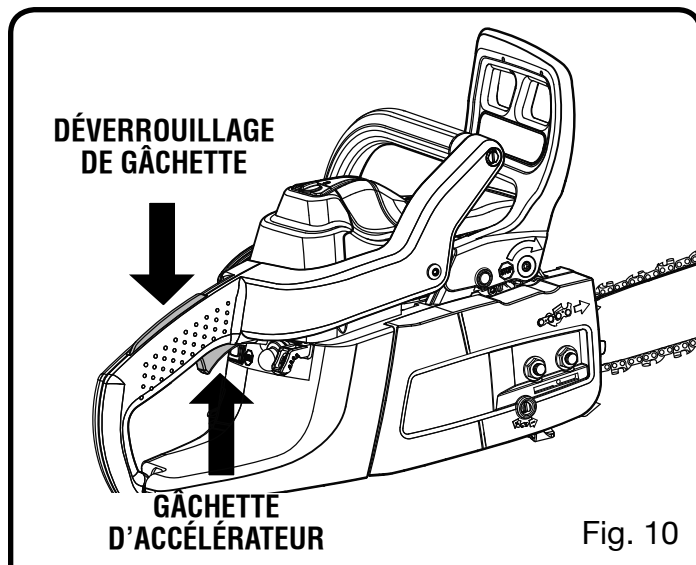
## Démarrage du moteur chaud :

- S'assurer que le frein de chaîne est en position de marche en tirant le levier /protège-main en arrière.
- Mettre le levier d'étrangleur en position **COMPLÈTEMENT OUVERT**, puis le remettre immédiatement en position **MARCHE** pour fonctionner au régime de ralenti accéléré.
- Tirer sur le poignée du lanceur et corde jusqu'à ce que le moteur tourne, cinq fois au maximum. Si le moteur ne démarre pas après cinq tentatives, utiliser la procédure de démarrage à froid.
- Appuyer sur la gâchette d'accélérateur et la relâcher, puis laisser le moteur retourner au ralenti.

## ARRÊT DU MOTEUR

Voir les figures 11 et 12.

Relâcher la gâchette d'accélérateur et laisser le moteur retourner au ralenti. Pour éteindre le moteur, appuyer sur le commutateur arrêt. Ne pas poser la scie à chaîne sur le sol si la chaîne est encore en mouvement. À titre de sécurité supplémentaire, engager le frein lorsque la scie n'est pas en usage.



Si le moteur ne peut pas être arrêté au moyen de l'interrupteur d'arrêt d'allumage, tirer à fond sur le levier de volet de départ (position **COMPLÈTEMENT OUVERTE**) et engager le frein de chaîne pour arrêter le moteur. Si la scie ne s'arrête pas lorsque le commutateur arrêt est mis en position d'arrêt, faire réparer l'interrupteur d'arrêt avant d'utiliser de nouveau la scie, afin d'éviter des situations dangereuses pouvant entraîner des blessures graves.

**NOTE :** Après avoir fini d'utiliser la scie, desserrer les bouchons des réservoirs d'huile de chaîne et de mélange de carburant pour relâcher la pression dans les réservoirs. Laisser le moteur refroidir avant de remettre la scie.

# UTILISATION

## RÉGLAGE DURALENTI

Voir la figure 13.

### **⚠ AVERTISSEMENT :**

La chaîne se déplacera autour du guide de chaîne lors du réglage du ralenti. Porter des vêtements de protection et éloigner les autres personnes, enfants et animaux à une distance d'au moins 15 m (50 pi). Effectuer les réglages en posant l'outil sur une surface stable de manière à éviter tout contact de la chaîne et du guide avec le sol ou tout autre objet. Garder toutes les parties du corps éloigné de la chaîne/guide et de l'échappement. Ne pas suivre ces directives peut causer des blessures graves.

- Si le moteur démarre, tourne et accélère, mais ne tient pas le ralenti, tourner la vis de ralenti « T » vers la droite pour augmenter le régime.
- Si la chaîne tourne lorsque le moteur est au ralenti tourner la vis de ralenti « T » vers la gauche pour réduire le régime et arrêter la rotation de la chaîne. Si la chaîne continue de tourner au ralenti après avoir effectué le réglage, confier la scie à un centre de réparations agréé, et ne plus l'utiliser tant que les réparations n'ont pas été effectuées.

### **⚠ AVERTISSEMENT :**

LA CHAÎNE NE DOIT JAMAIS TOURNER LORSQUE LE MOTEUR EST AU RALENTI. Tourner la vis de ralenti « T » vers la gauche pour réduire le régime de ralenti et immobiliser la chaîne ou confier la scie à un centre de réparations agréé, et ne plus l'utiliser tant que les réparations n'ont pas été effectuées. La rotation de la chaîne au ralenti pourrait causer des blessures graves.

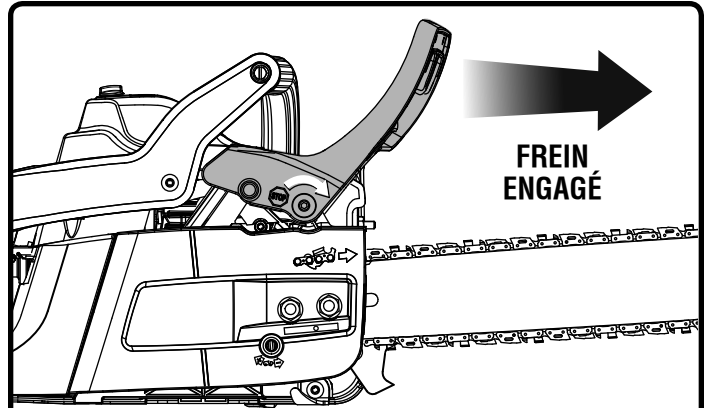


Fig. 12

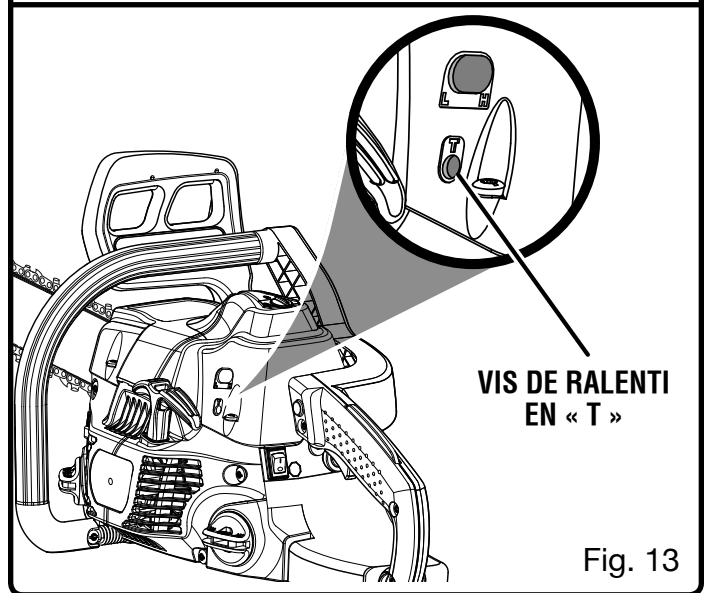


Fig. 13



# UTILISATION

## POUSSÉE ET TRACTION

Voir la figure 14.

La force de réaction s'exerce toujours dans le sens opposé au mouvement de la chaîne. Par conséquent, l'opérateur doit être prêt à contrôler la TRACTION lorsque la coupe est effectuée avec la partie inférieure du guide et la POUSSÉE lorsque la coupe est effectuée avec la partie supérieure du guide.

**NOTE :** Cette scie à chaîne a été soumise à des essais complets en usine. Il est donc normal qu'elle présente des traces d'huile.

### **⚠ AVERTISSEMENT :**

Le REBOND se produit lorsque la chaîne en rotation heurte un objet dans la partie supérieure de l'extrémité du guide ou lorsque l'entaille se referme et pince la chaîne dans le bois. Le contact de la partie supérieure de l'extrémité du guide peut faire plonger la chaîne dans le bois et la bloquer pendant un instant. Il en résulte une réaction fulgurante, projetant le guide vers le haut et l'arrière, en direction de l'utilisateur. Le pincement de la chaîne sur le haut du guide peut causer une projection violente de la lame en arrière, en direction de l'utilisateur. Ces réactions peuvent faire perdre le contrôle de la scie et entraîner des blessures graves.

Ne pas compter exclusivement sur les dispositifs de sécurité intégrés à la scie. L'utilisateur doit prendre un certain nombre de précautions pour éviter les accidents et blessures. Voir les *Règles de sécurité générales* pour plus de détails.

## PRÉCAUTIONS À PRENDRE POUR ÉVITER LE REBOND

Voir les figures 15 et 16.

Le rebond rotatif se produit lorsque la portion de la chaîne en mouvement se trouvant dans la zone de danger de rebond du guide heurte un objet. Il en résulte une réaction fulgurante, projetant le guide vers le haut et l'arrière, en direction de l'utilisateur. Cette réaction peut faire perdre le contrôle de la scie et entraîner des blessures graves.

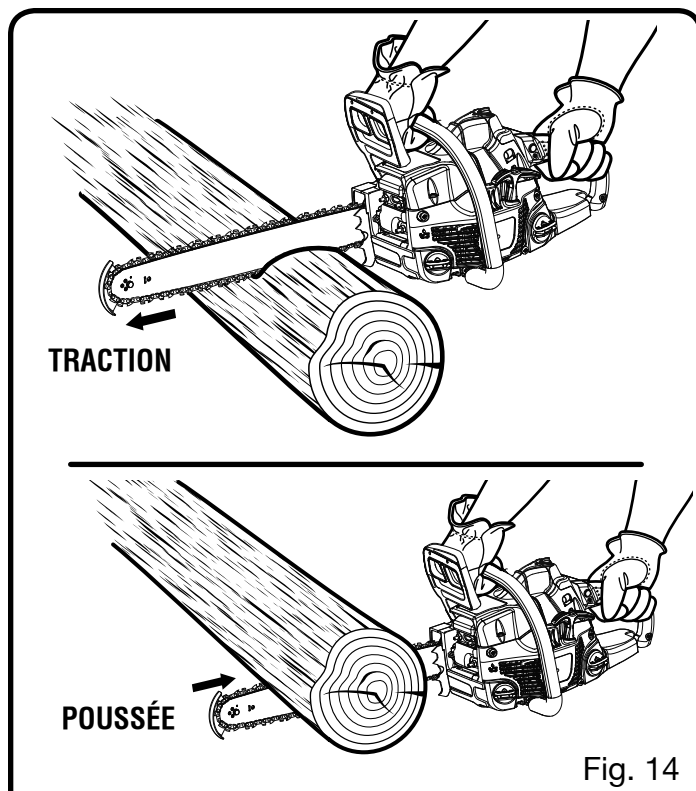


Fig. 14

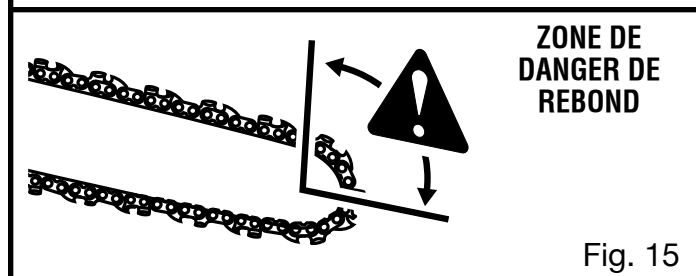


Fig. 15

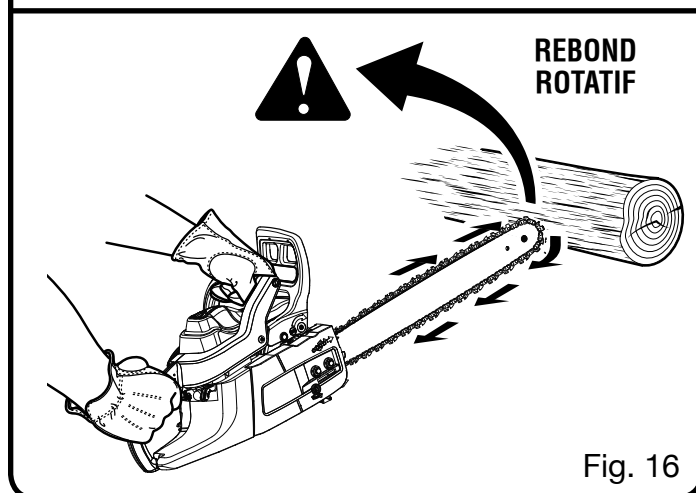


Fig. 16

# UTILISATION

## PRÉPARATION POUR LA COUPE

### TENUE CORRECTE DES POIGNÉES

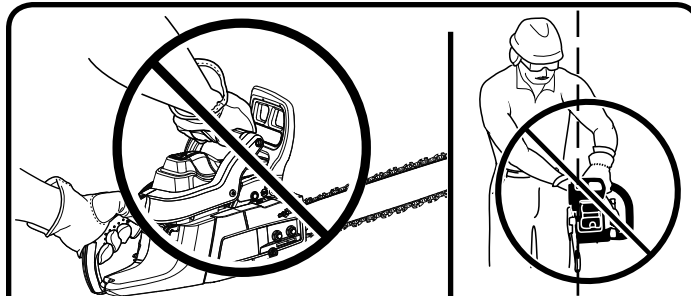
Voir la figure 17.

Voir *Règles de sécurité générales* pour des informations au sujet de l'équipement de sécurité approprié.

- Porter des gants antidérapants pour assurer une prise et une protection maximum.
- Tenir la scie fermement, à deux mains. Toujours garder la main gauche sur la poignée avant et la main droite sur la poignée arrière, de façon à ce que le corps se trouve à gauche de la ligne de chaîne.

#### **⚠ AVERTISSEMENT :**

Ne jamais utiliser une prise gauchère (mains inversées) ou une position qui placerait le bras ou le corps en travers de la ligne de chaîne.



#### **⚠ AVERTISSEMENT :** LIGNE DE CHAÎNE →

NE PAS actionner la gâchette d'accélérateur avec la main gauche en tenant la poignée avant avec la main droite. Ne jamais laisser une partie du corps quelconque se trouver dans la ligne de chaîne pendant l'utilisation de la scie.

- Toujours maintenir correctement la scie lorsque le moteur tourne. Les doigts doivent entourer la poignée, le pouce étant passé au-dessous. Avec cette prise, la scie risque moins d'échapper à l'opérateur sous l'effet d'un rebond ou d'une autre réaction soudaine de la scie. Il est dangereux de tenir la scie avec les doigts et le pouce du même côté de la poignée, car le moindre à-coup peut faire perdre le contrôle de la scie.

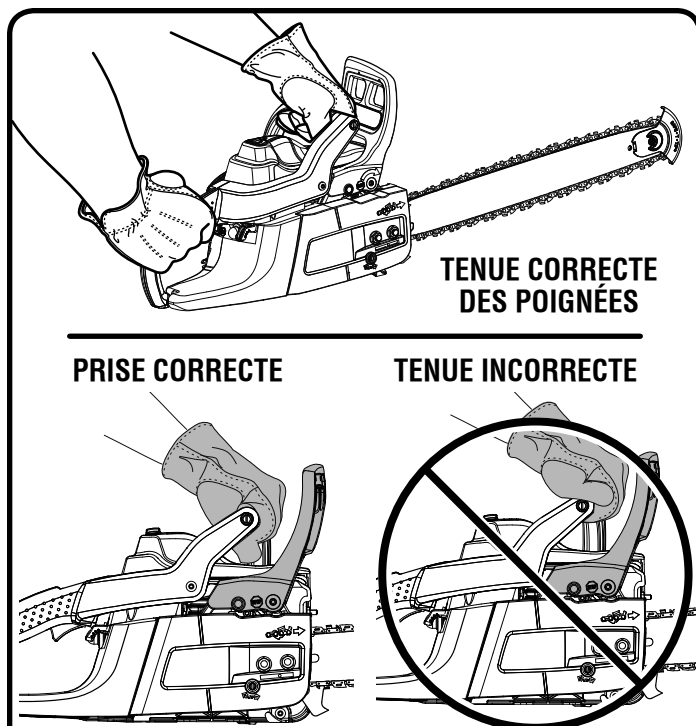


Fig. 17

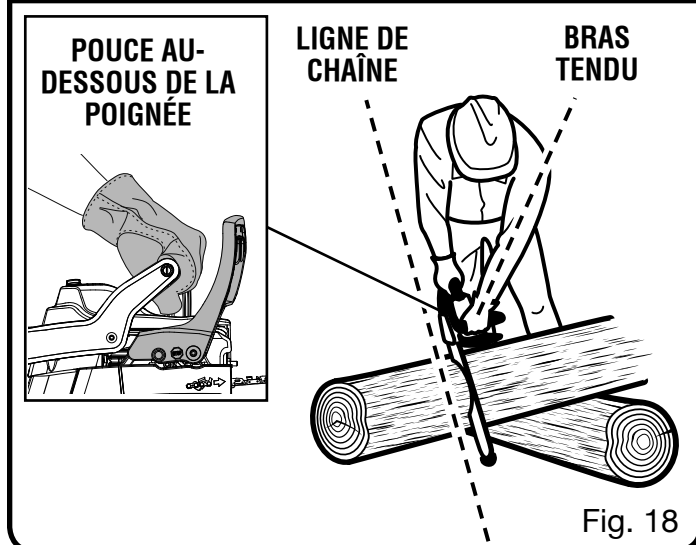


Fig. 18

### POSITION DE COUPE CORRECTE

Voir la figure 18.

#### **⚠ AVERTISSEMENT :**

Toujours utiliser la position de coupe correcte décrite dans cette section. Ne jamais à genoux lorsque vous utilisez la scie à chaîne, excepté si l'abattage d'un arbre comme le montre la figure 23b. Genoux pourrait entraîner la perte de la stabilité et le contrôle de la scie et causer des blessures graves.

# UTILISATION

- Se tenir bien campé et en équilibre sur les deux pieds, sur un sol ferme.
- Garder le bras gauche tendu afin de pouvoir résister à la force d'un éventuel rebond.
- Garder le corps à gauche de la ligne de chaîne.
- Garder le pouce au-dessous de la poignée.

## PRÉCAUTIONS À PRENDRE SUR LE LIEU DE TRAVAIL

Voir la figure 19.

- Ne couper que du bois ou des matériaux dérivés du bois. Ne jamais couper de la tôle, des matières plastiques, du béton ou des matériaux de construction autres que le bois.
- Ne jamais laisser un enfant utiliser la scie. Ne jamais laisser quiconque utiliser la scie n'ayant pas lu le manuel d'utilisation ou reçu des instructions appropriées concernant la sécurité et l'utilisation correcte de la scie.
- Tenir les autres travailleurs, badauds et animaux domestiques à **DISTANCE SÉCURITAIRE** de la zone de travail. Pour l'abattage, la distance sécuritaire doit être au moins deux fois la taille de l'arbre le plus grand se trouvant dans la zone de coupe. Pendant les opérations de coupe, maintenir une distance d'au moins 4,6 m (15 pi) entre les travailleurs.
- Toujours couper avec les deux pieds posés sur un sol ferme pour éviter toute perte d'équilibre.
- Ne pas couper au-dessus du niveau de la poitrine, car il est difficile de contrôler une scie maintenue plus haut en cas de rebond.
- Ne pas abattre d'arbres se trouvant à proximité de lignes électriques ou de bâtiments. Ce type de travail doit être confié à des professionnels.
- Ne couper que lorsque la visibilité et la lumière permettent de voir clairement.

## MÉTHODES D'UTILISATION / COUPE ÉLÉMENTAIRES

S'exercer en coupant quelques petites branches avec la technique décrite ci-après, pour se familiariser avec la scie avant d'entreprendre un travail de coupe important.

- Se mettre en position correcte, face à la pièce à couper, avec la scie au ralenti.
- Appuyer à fond sur la gâchette pour accélérer au maximum juste avant de commencer l'entaille.
- Commencer la coupe avec la scie appuyée contre la bille.



Fig. 19

- Maintenir le moteur à plein régime pendant toute la durée de la coupe.
- Laisser la scie effectuer le travail, ne la pousser que légèrement vers le bas. Une force excessive pourrait endommager la chaîne, le guide ou le moteur.
- Relâcher la gâchette dès que la coupe a été effectuée et laisser le moteur retourner au ralenti. Un fonctionnement à plein régime sans charge de coupe peut inutilement causer une usure excessive de la chaîne, du guide et du moteur.
- Ne pas appuyer sur la scie en fin de coupe.

## ABATTAGE D'ARBRES

### SITUATIONS DANGEREUSES

Voir les figures 20 à 23.

#### ⚠ AVERTISSEMENT :

Ne pas effectuer d'abattage par grand vent ou en cas de fortes précipitations. Attendre que le temps se calme.

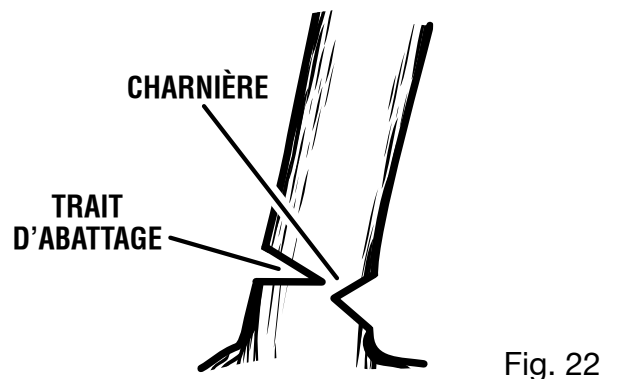
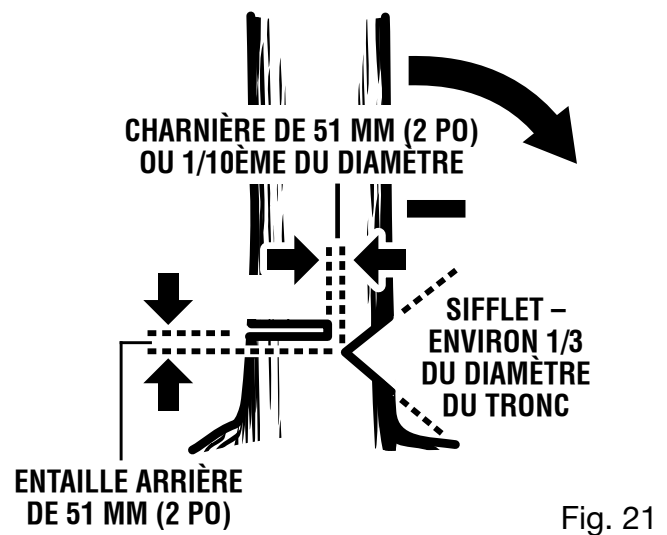
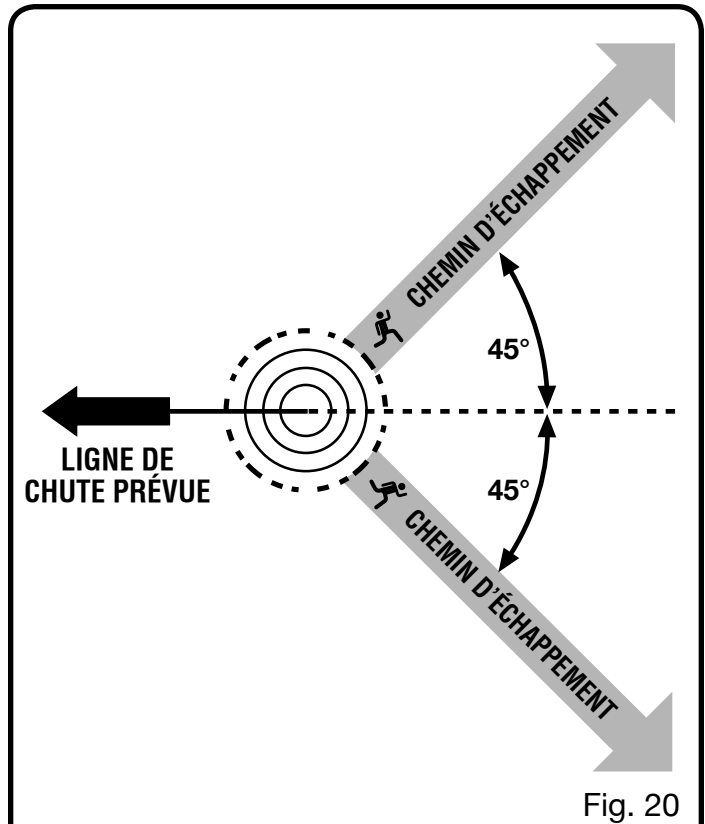
#### ⚠ AVERTISSEMENT :

Surveiller attentivement les branches brisées ou mortes qui peuvent tomber pendant le taillage et éviter de tailler près des édifices ou fils électriques si la direction de la chute de l'arbre est incertaine. Ne pas tailler le soir ou pendant des conditions climatiques mauvaises, comme sous la pluie, la neige, lors de vents forts. Ces conditions peuvent réduire la visibilité et la manoeuvrabilité de la scie à chaîne. Si l'arbre à abattre entre en contact avec tout câble de service public, il faut cesser l'utilisation de la scie à chaîne et informer immédiatement le fournisseur de service public. Ne pas suivre ces directives peut causer des blessures graves ou mortelles.

# UTILISATION

Lorsque vous abattez un arbre, il est très important de respecter les avertissements et de suivre les instructions pour prévenir la possibilité de mort ou de blessures personnelles.

- Ne pas couper d'arbres extrêmement inclinés ou de gros arbres aux branches pourries, à l'écorce décollée ou au tronc creux. Ces arbres doivent être poussés ou tirés à terre par un engin de chantier lourd avant d'être débités.
- Ne pas abattre d'arbres se trouvant à proximité de lignes électriques ou de bâtiments.
- Regarder si l'arbre comporte des branches mortes ou endommagées, risquant de tomber et de heurter l'utilisateur pendant l'abattage.
- Pendant la coupe du trait d'abattage, observer de temps à autre la cime de l'arbre pour s'assurer qu'il tombera dans la direction souhaitée.
- Si l'arbre commence à tomber dans le mauvais sens ou si la scie est pincée ou bloquée pendant la chute, l'abandonner et s'échapper !
- Abattage – Lorsque deux personnes ou plus effectuent des opérations de tronçonnage à proximité d'un abattage, elles doivent se trouver à une distance correspondant à au moins deux fois la hauteur de l'arbre abattu. Les arbres ne doivent pas être abattus d'une manière risquant de mettre quiconque en danger, de heurter une ligne électrique ou de causer des dommages matériels. Si une ligne électrique est heurtée, la compagnie d'électricité doit être immédiatement notifiée.
- Avant de commencer une coupe, déterminer un chemin d'échappement (ou plusieurs au cas où le chemin prévu serait bloqué) déblayer les environs immédiats et s'assurer qu'aucun obstacle se trouve sur le chemin d'échappement prévu. Les trajectoires sécuritaires du chemin d'échappement doivent se situer à l'arrière et en diagonale (45°) à l'arrière de la ligne de chute prévue. Lorsque l'arbre commence à tomber, il faut s'écarter de la ligne de chute et suivre le chemin d'échappement et s'éloigner d'au moins 6 m (20 pi) du tronc au cas où l'arbre rebondirait sur la souche. *Voir la figure 20.*
- Avant de commencer l'abattage, tenir compte de la force et de la direction du vent, de l'inclinaison et de l'équilibre de l'arbre et de la position des grosses branches. Tous ces facteurs influencent la direction dans laquelle l'arbre tombera. Ne



# UTILISATION

pas faire levier pour abattre un arbre dans une direction autre que la ligne de chute naturelle.

- L'opérateur doit se tenir en amont de l'arbre, étant donné qu'une fois abattu, l'arbre glissera ou roulera vers le bas de la pente.
- Éliminer la terre, les pierres, l'écorce décollée, les clous, agrafes et fils métallique des endroits où les entailles doivent être pratiquées.

**NOTE :** Avant chaque coupe, s'assurer que la ligne de direction d'abattage située sur le boîtier de la scie est bien alignée avec l'endroit où l'on désire faire tomber l'arbre. La figure 23a indique comment les mires de la direction de l'abattage sont utilisées lors d'une coupe arrière.

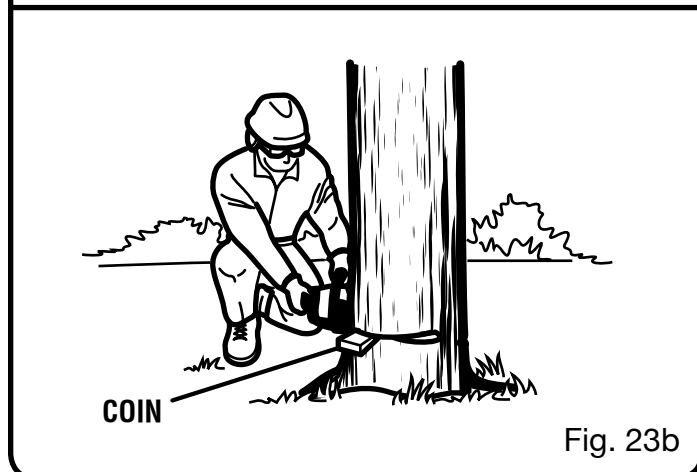
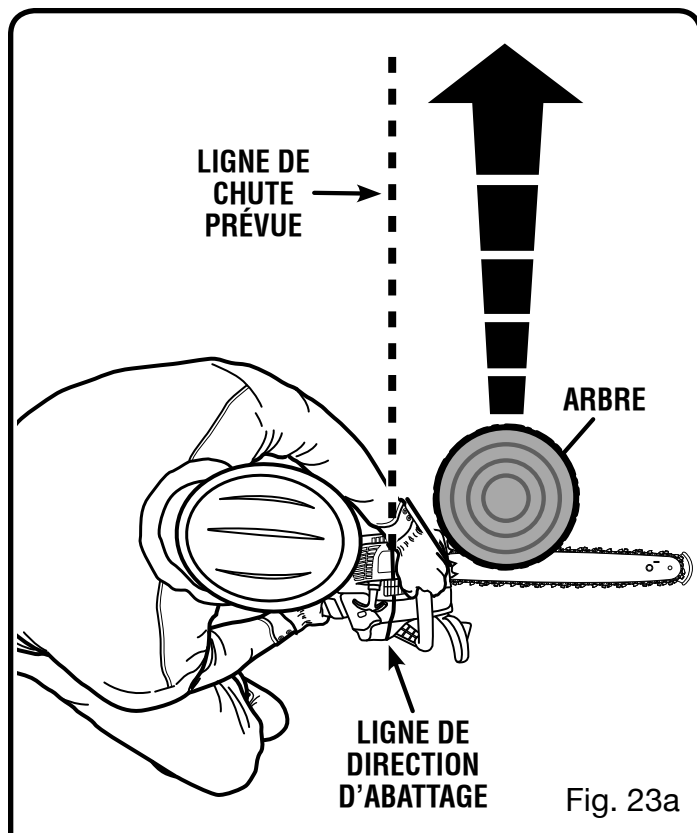
- **Entaille de dessous.** Pratiquer une entaille d'environ le tiers du diamètre du tronc comme illustré la figure 21. Veiller à ce que les entailles du sifflet se rejoignent à angle droit par rapport à la ligne de chute. Le sifflet doit être taillé de façon à présenter une ligne droite. Pour empêcher le pincement de la scie sous le poids du bois, toujours effectuer l'entaille inférieure en premier. Voir la figure 21.

- **Entaille d'abattage.** L'entaille d'abattage doit toujours être de niveau et horizontale et effectuée à au moins 51 mm (2 po) au-dessus de l'entaille horizontale du sifflet. Voir les figures 20 et 21.

- Ne jamais couper jusqu'au sifflet. Toujours laisser une épaisseur de bois d'environ 51 mm (2 po) ou 1/10<sup>ème</sup> du diamètre du tronc entre l'entaille d'abattage et le sifflet. Ceci s'appelle une « charnière ». Cette charnière contrôle la chute de l'arbre et empêche le tronc de glisse, de pivoter ou de basculer sur la souche. Voir les figures 21 et 22.

- Sur les arbres de grand diamètre, arrêter le trait d'abattage avant qu'il ne soit assez profond pour causer la chute de l'arbre ou son affaissement sur la souche. Ensuite, insérer des coins en bois ou en plastique dans le trait, de façon à ce qu'ils ne touchent pas la chaîne. Les coins peuvent être enfoncés petit à petit pour faire levier sur l'arbre. Voir la figure 23b.

**NOTE :** Lorsque des coins sont utilisés pour l'entaille ou l'abattage, il peut être nécessaire de retirer la garde antirebond SAFE-T-TIP afin de pouvoir tirer la lame au travers de l'entaille.



# UTILISATION

Une fois la coupe effectuée, la garde doit être immédiatement remise en place.

- Dès que l'arbre commence à tomber, arrêter la scie et la poser immédiatement à terre. S'échapper par le chemin dégagé tout en prenant garde que rien ne tombe vers soi. Se méfier des branches risquant de tomber et regarder où l'on met les pieds.

## **⚠ AVERTISSEMENT :**

Ne jamais couper l'entaille d'abattage jusqu'au sifflet. La charnière, qui est la section de bois laissée intacte entre le trait d'abattage et le sifflet contrôle la chute de l'arbre.

## DÉBITAGE

Voir la figure 24.

Débitage est le terme utilisé pour la coupe d'un arbre abattu en billes de la taille désirée.

- Ne couper qu'une bille à la fois.
- Soutenir les petites billes avec un chevalet ou une autre bille.
- Garder le lieu de travail propre et déblayé. S'assurer que rien ne risque d'entrer en contact avec l'extrémité du guide et la chaîne, car cela pourrait causer un rebond. Pour éviter ce risque, laisser la garde anti-rebond SAFE-T-TIP™ en place pendant la coupe. Pour plus de détails, voir **Rebond**, à la section *Règles de sécurité particulières* de ce manuel.
- Lors du tronçonnage sur une pente, toujours se tenir en amont de la bille. En fin de coupe, réduire la pression exercée sur la scie, sans relâcher la prise des deux mains sur les poignées afin de garder le contrôle de la scie. Ne pas laisser la chaîne heurter le sol. Une fois la coupe terminée, attendre l'immobilisation complète de la chaîne avant de se déplacer. Toujours arrêter le moteur avant de passer à un autre arbre.

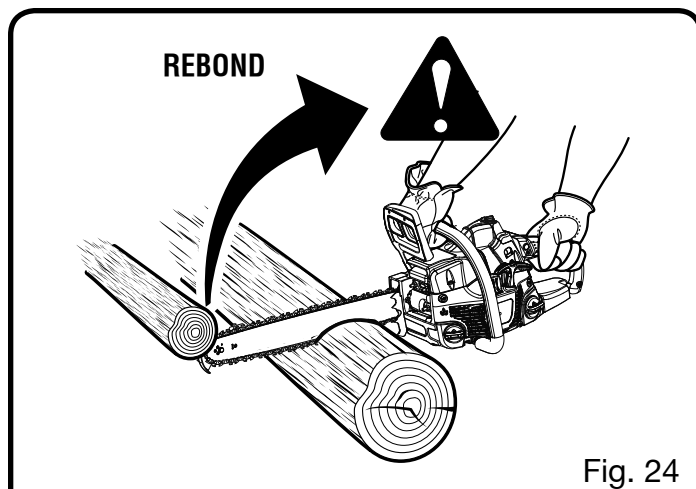


Fig. 24

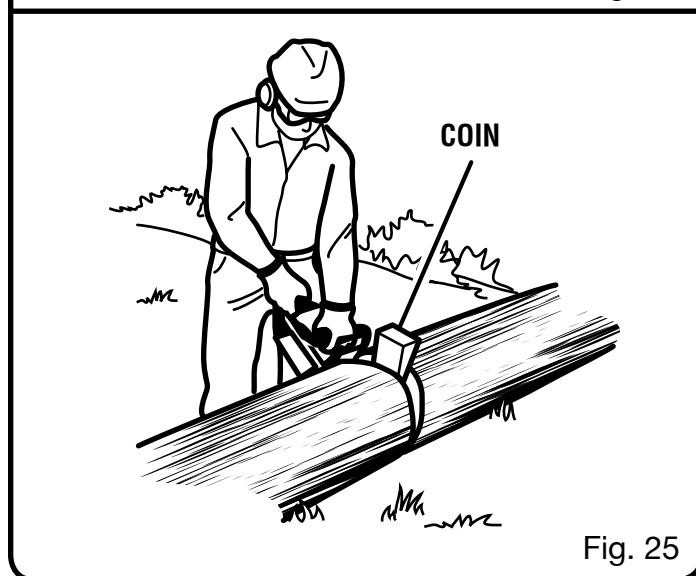


Fig. 25

## TRONÇONNAGE AVEC COINS

Voir la figure 25.

Si le diamètre de la pièce est assez grand pour permettre l'insertion d'un coin en bois tendre sans que celui-ci touche la chaîne, utiliser le coin pour maintenir l'entaille ouverte et empêcher le pincement de la chaîne.

**NOTE :** Lorsque des coins sont utilisés pour l'entaille ou l'abattage, il peut être nécessaire de retirer la garde antirebond SAFE-T-TIP™ afin de pouvoir tirer la lame au travers de la section. Une fois la coupe effectuée, remettre la garde en place.

# UTILISATION

## DÉBITAGE DE BILLES SOUS CONTRAINTE

Voir la figure 26.

Pratiquer la première entaille à 1/3 du diamètre de la pièce et finir la coupe des 2/3 restant depuis le côté opposé. À mesure qu'elle est coupée, la bille a tendance à ployer. Si la première coupe dépasse le tiers du diamètre de la bille, la lame risque d'être pincée ou bloquée dans l'entaille.

Prêter une attention particulière aux billes sous contrainte pour éviter que le guide et la chaîne ne soient pincés.

## COUPE PAR LE DESSUS

Voir la figure 27.

Commencer sur le haut de la bille, le bas de la scie appuyé contre le bois et exercer une légère pression vers le bas. Noter que la scie aura tendance à tirer vers l'avant.

## COUPE PAR LE DESSOUS

Voir la figure 28.

Commencer sur le bas de la bille, le haut de la scie appuyé contre le bois et exercer une légère pression vers le haut. Noter que la scie aura tendance à pousser vers l'utilisateur. Être préparé à cette réaction et maintenir la scie fermement pour garder le contrôle.

## ÉBRANCHAGE

Voir la figure 29.

### **⚠ AVERTISSEMENT :**

Ne jamais grimper dans un arbre pour l'ébrancher ou l'émonder. Ne pas travailler en se tenant sur une échelle, une plate-forme, dessus de toit ou une bille, ni se tenir dans une position risquant de faire perdre l'équilibre ou le contrôle de la scie, ce qui peut causer la mort ou d'autres blessures graves.

L'ébranchage consiste à couper les branches d'un arbre abattu.

- Travailler lentement et tenir la scie fermement à deux mains. Toujours veiller à se tenir bien campé et en équilibre sur les deux pieds.
- Ne pas couper les grosses branches soutenant l'arbre, afin de le maintenir à distance du sol.
- Ne couper qu'une branche à la fois. Éloigner les branches coupées de la zone de travail

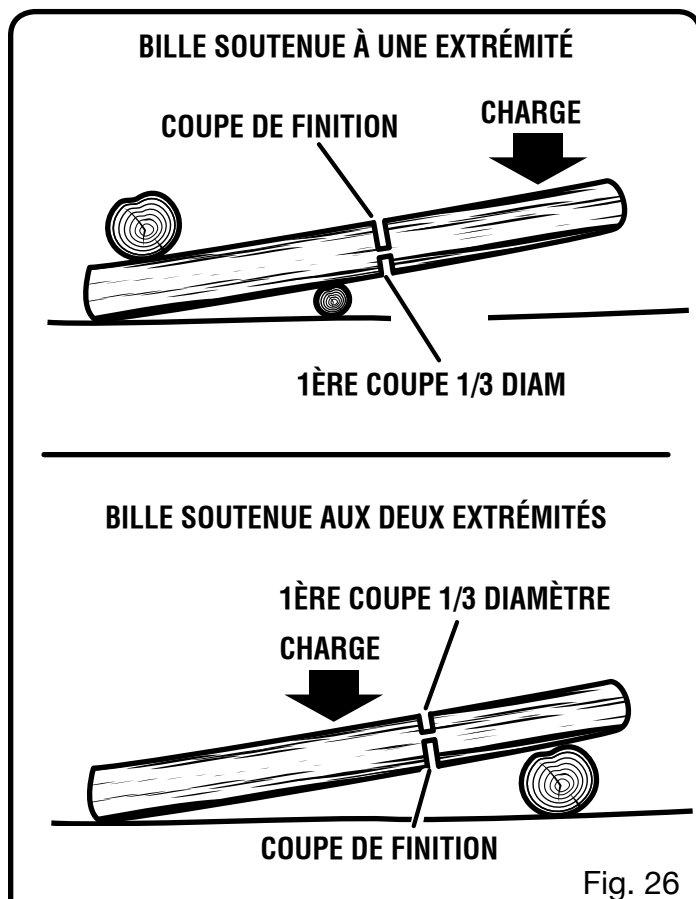


Fig. 26

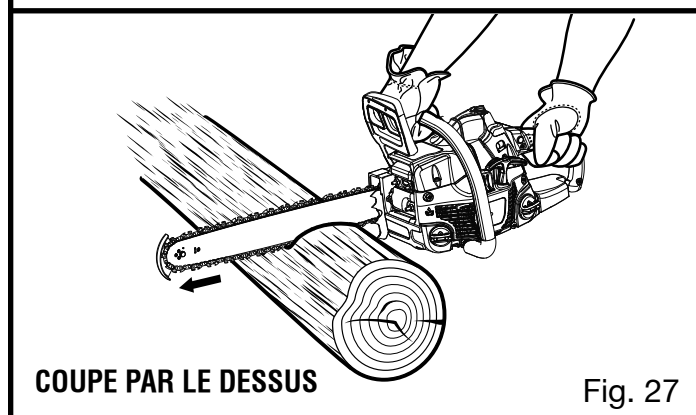


Fig. 27

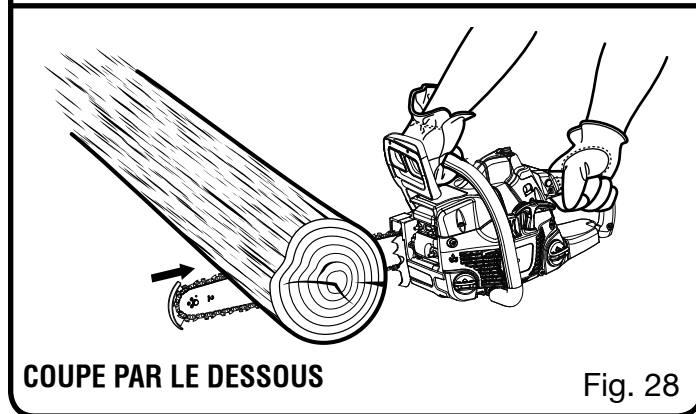


Fig. 28

# UTILISATION

fréquemment pour maintenir l'endroit dégagé et sûr.

- Les branches sous tension doivent être coupées par le dessous pour éviter le pincement de la chaîne.
- Pendant l'ébranchage, garder le tronc entre le corps et la scie. Couper en se tenant du côté du tronc opposé à la branche à couper.

## ÉLAGAGE

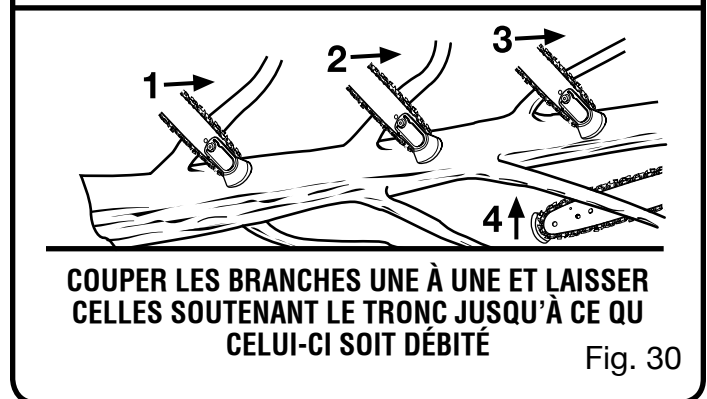
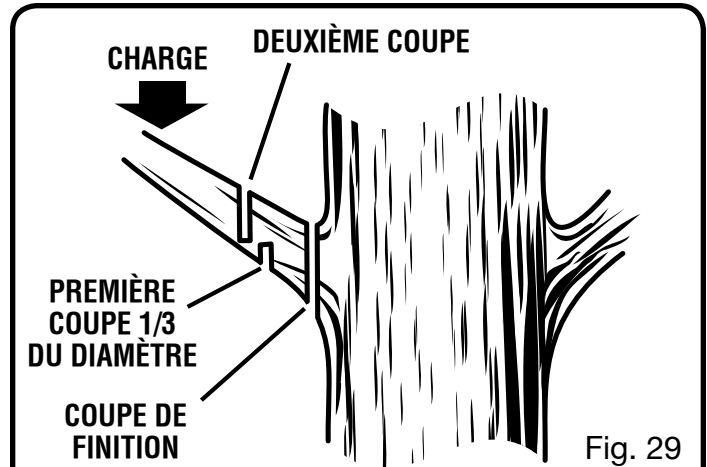
Voir la figure 30.

L'élagage consiste à couper les branches d'un arbre sur pied.

- Travailler lentement et tenir la scie fermement à deux mains. Toujours veiller à se tenir bien campé et en équilibre sur les deux pieds.
- Ne pas utiliser la scie en se tenant sur une échelle, ce qui est extrêmement dangereux. Ce type de travail doit être confié à des professionnels.
- Ne pas couper au-dessus du niveau de la poitrine, car il est difficile de contrôler une scie maintenue plus haut en cas de rebond.
- Lors de l'élagage il est important de ne pas couper au ras d'une branche maîtresse ou du tronc avant d'avoir coupé la branche à distance pour en réduire le poids. Ceci évite d'endommager l'écorce.
- La première entaille doit être effectuée par le dessous, jusqu'au tiers du diamètre de la branche.
- La deuxième entaille doit être effectuée par le dessus pour faire tomber la branche.
- Ceci fait, la coupe finale peut être effectuée nettement au ras du tronc ou de la branche maîtresse, de façon à ce que l'écorce puisse pousser pour sceller la plaie.

### AVERTISSEMENT :

Si les branches à couper se trouvent au-dessus du niveau de la poitrine, confier le travail à un professionnel. Ne pas prendre cette précaution peut entraîner des blessures graves ou mortelles.



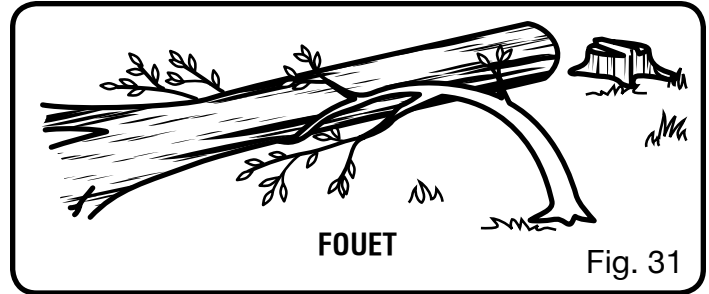


# UTILISATION

## COUPE DE FOUETS

Voir la figure 31.

Un fouet est une bille, une branche, une souche déracinée ou un arbrisseau fléchi sous tension par une autre pièce de bois qui se détendra une fois que cette pièce est coupée ou enlevée. La souche déracinée d'un arbre abattu risque fortement de se remettre à la verticale lorsque la coupe destinée à séparer le tronc de la souche est effectuée. Se méfier des fouets, ils sont dangereux.



### **⚠ AVERTISSEMENT :**

Les fouets sont dangereux et peuvent heurter l'opérateur, lui faisant perdre le contrôle de la scie. Ceci peut entraîner des blessures graves ou mortelles.

# ENTRETIEN

L'entretien normal, le remplacement ou la réparation des dispositifs du système antipollution doit être fait par un magasin de réparation ou un technicien qualifié possédant les pièces d'origine ou équivalentes. La garantie et les rappels pour réparations peuvent être faits par un centre de réparations autorisé; pour obtenir de l'aide, veuillez communiquer avec le service à la clientèle.

### **⚠ AVERTISSEMENT :**

Avant d'inspecter, nettoyer ou entretenir l'équipement, couper le moteur, attendre que toutes les pièces en mouvement s'arrêtent, déconnecter le fil de la bougie et l'écarter de la bougie. Le non-respect de ces instructions peut entraîner des blessures graves ou des dégâts matériels.

### **⚠ AVERTISSEMENT :**

Les surfaces du silencieux sont très chaudes pendant et après l'utilisation de la scie à chaîne. Garder toutes les parties du corps à l'écart du silencieux. Un contact avec le silencieux peut causer des brûlures graves.

### **⚠ AVERTISSEMENT :**

Toujours porter une protection oculaire avec écrans latéraux certifiée conforme à la norme ANSI Z87.1, avec protection auditive et un casque. Si cette précaution n'est pas prise, des objets peuvent être projetés dans les yeux et d'autres lésions graves.

# ENTRETIEN

## **⚠ AVERTISSEMENT :**

Utiliser exclusivement des pièces identiques à celles d'origine pour les réparations. L'usage de toute autre pièce pourrait créer une situation dangereuse ou endommager l'outil.

## **AVIS :**

Inspecter périodiquement au complet le produit afin de s'assurer qu'aucune pièce (vis, écrous, boulons, chapeaux, etc.) n'est endommagée, manquante ou desserrée. Serrer solidement toutes les pièces de fixation et les chapeaux et ne pas utiliser le produit tant que toutes les pièces manquantes ou endommagées n'ont pas été remplacées. Veuillez communiquer avec le service à la clientèle ou un centre de réparations qualifié pour obtenir de l'aide.

## ENTRETIEN GÉNÉRAL

Éviter d'utiliser des solvants pour le nettoyage des pièces en plastique. La plupart des matières plastiques peuvent être endommagées par divers types de solvants du commerce. Utiliser un chiffon propre pour éliminer la saleté, la poussière, l'huile, la graisse, etc.

## **⚠ AVERTISSEMENT :**

Ne jamais laisser de liquides tels que le fluide de freins, l'essence, les produits à base de pétrole, les huiles pénétrantes, etc., entrer en contact avec les pièces en plastique. Les produits chimiques peuvent endommager, affaiblir ou détruire le plastique, ce qui peut entraîner des blessures graves.

## LUBRIFICATION

Tous les roulements de cet outil sont enduits d'une quantité suffisante de lubrifiant de haute qualité pour la durée de vie de l'outil, dans des conditions d'utilisation normales. Aucune autre lubrification n'est donc nécessaire.

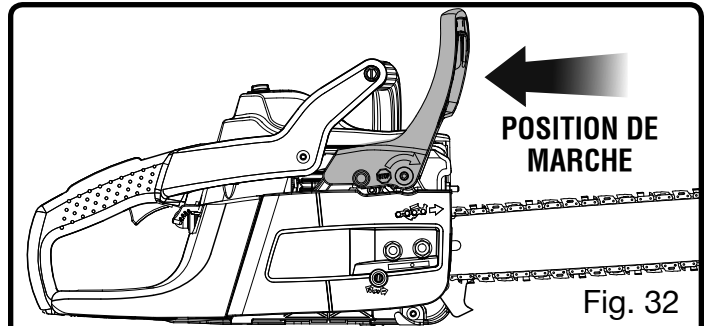


Fig. 32

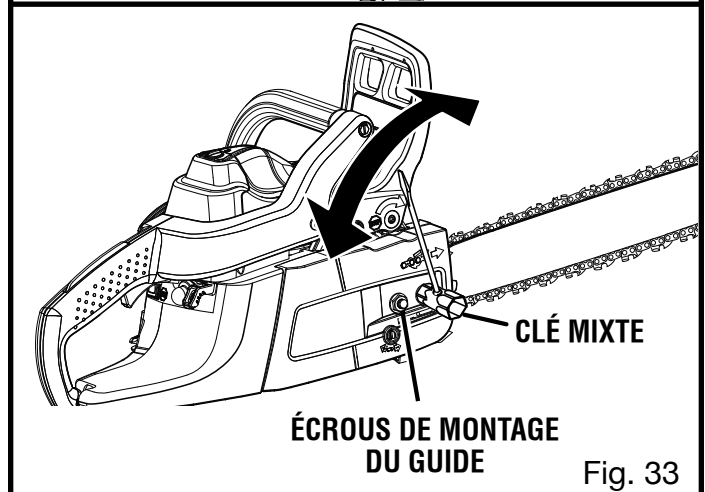


Fig. 33

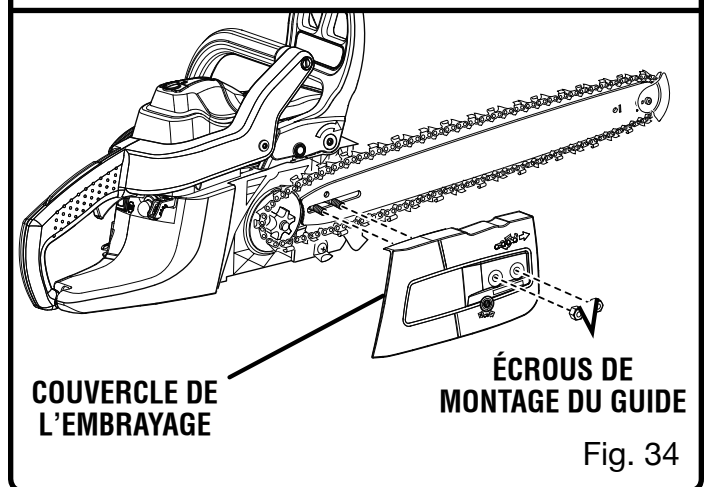


Fig. 34

## REPLACEMENT DU GUIDE ET DE LA CHAÎNE

Voir les figures 32 à 41.

## **⚠ DANGER :**

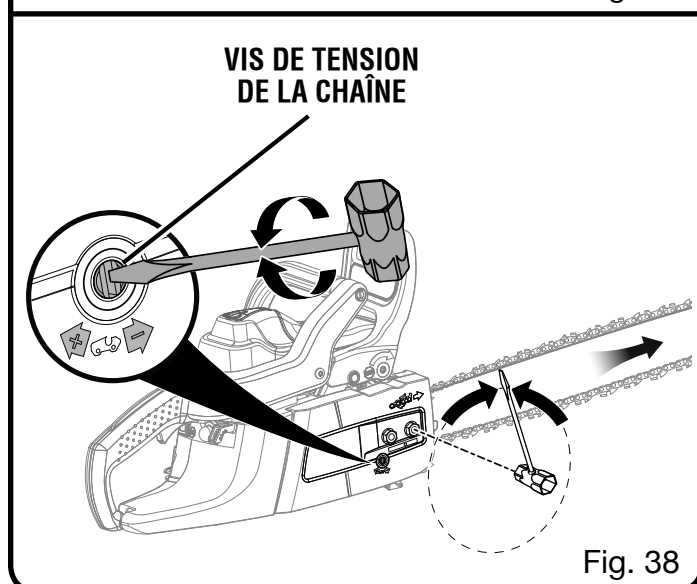
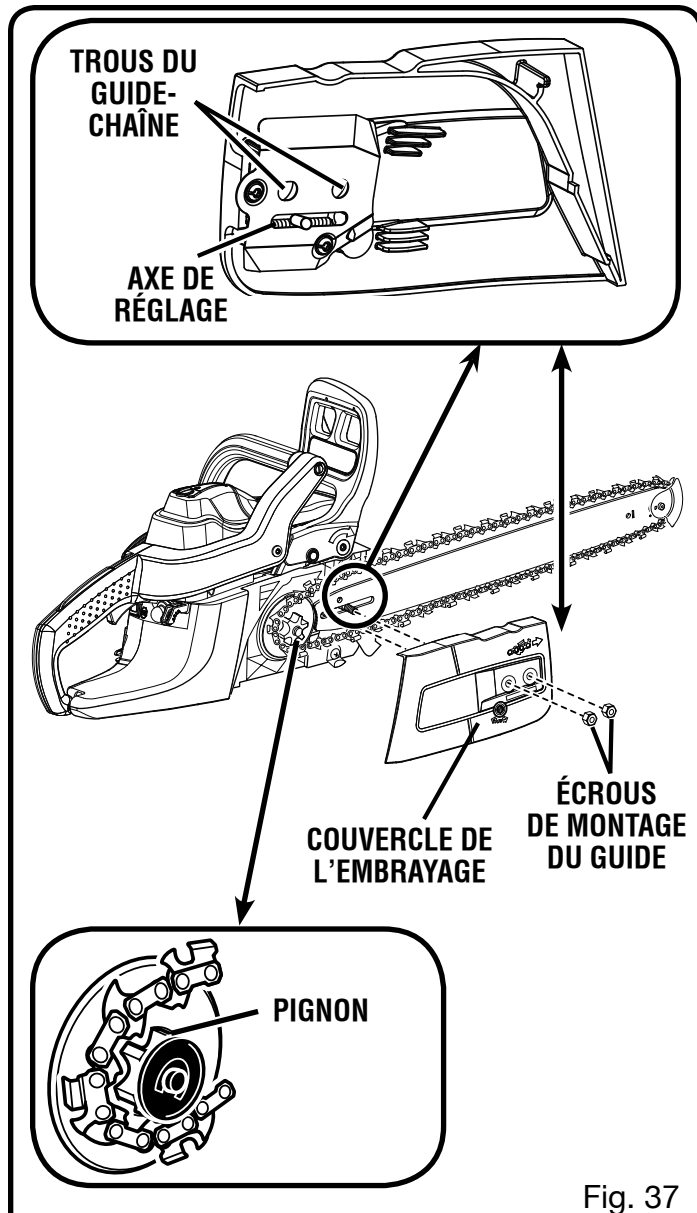
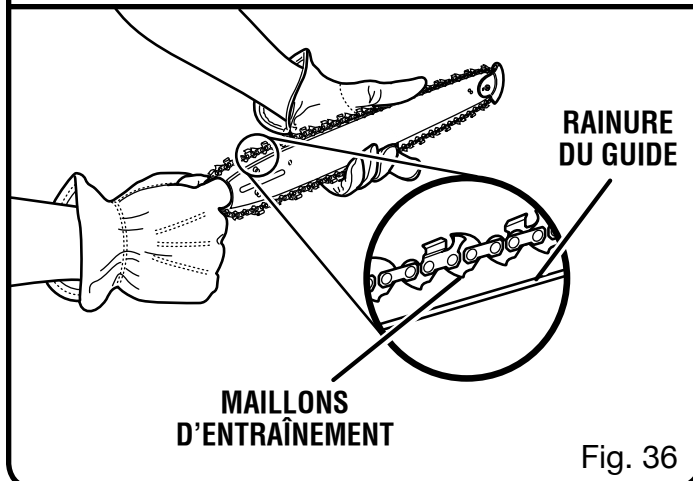
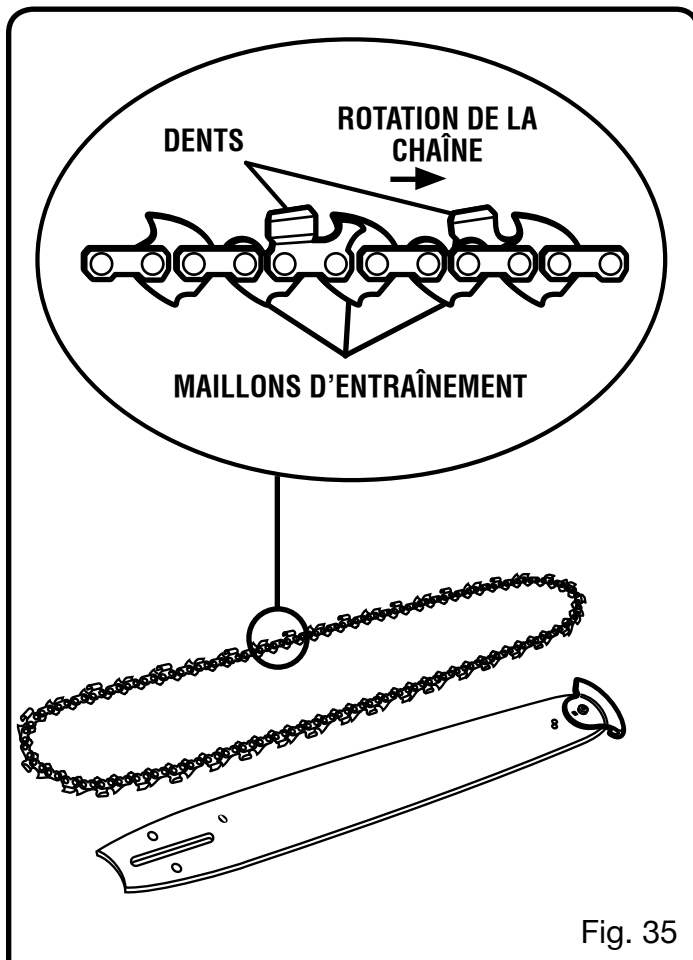
Ne jamais mettre le moteur en marche sans que le guide, la chaîne, le couvercle de l'embrayage et le tambour d'embrayage soient en place. Si toutes ces pièces ne sont pas en place, l'embrayage peut être éjecté ou éclater et infliger des blessures graves.

# ENTRETIEN

## ⚠ AVERTISSEMENT :

Pour éviter des blessures graves, lire et veiller à bien comprendre toutes les instructions de sécurité contenues dans cette section.

- Arrêter le moteur et débrancher le fil de la bougie avant de travailler sur la scie.



# ENTRETIEN

- S'assurer que le frein de chaîne n'est pas engagé, en tirant le levier de commande / protection de poignée avant en direction de la poignée avant, en position de marche.

**NOTE :** Lors du remplacement du guide et de la chaîne, toujours utiliser les pièces indiquées à la section **Combinaisons de guide et chaîne**, plus loin dans ce manuel.

- Toujours porter des gants lors de la manipulation du guide et de la chaîne. Ces pièces sont affûtées et peuvent présenter des ébarbures.
- Retirer les écrous de montage du guide à l'aide d'une clé mixte fournie ou une clé à douille de 13 mm.
- Retirer le couvercle de l'embrayage.
- Retirer le guide et la barre de leur support.
- Retirer la chaîne usée du guide.
- Former une boucle avec la nouvelle chaîne et éliminer les entortillements. Les gouges doivent être orientées dans le sens de rotation de la chaîne. Si elles sont orientées dans le sens contraire, retourner la boucle.
- Engager les maillons d'entraînement de la chaîne dans la rainure du guide conformément à l'illustration.
- Positionner la chaîne de façon à obtenir une boucle à l'arrière du guide.
- Maintenir la chaîne en place sur le guide et engager la boucle sur le pignon.
- Ajuster le guide au ras de la surface de montage, de manière à ce que ses goujons s'engagent dans la fente longue du guide.
- Replacer le couvercle de l'embrayage en s'assurant que la goupille de réglage se trouvant à l'intérieur du couvercle s'insère aisément dans le trou pour la goupille de tension de la chaîne sur le guide-chaîne, et que les deux goujons du guide-chaîne sont fixés solidement dans leurs trous respectifs se trouvant dans le couvercle de l'embrayage.

**NOTE :** Il peut être nécessaire de replacer légèrement la goupille de réglage avec le cadran de tension de la chaîne afin de faire en sorte qu'elle soit alignée avec le trou pour la goupille de tension de la chaîne sur le guide-chaîne.

- Remettre et serrer les écrous du guide à la main. Le mouvement du guide est nécessaire pour le réglage de la tension.

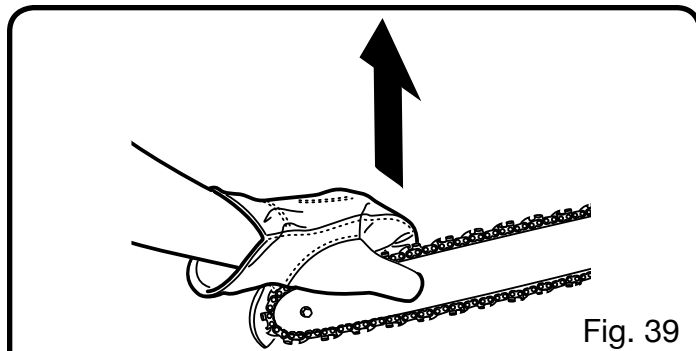


Fig. 39

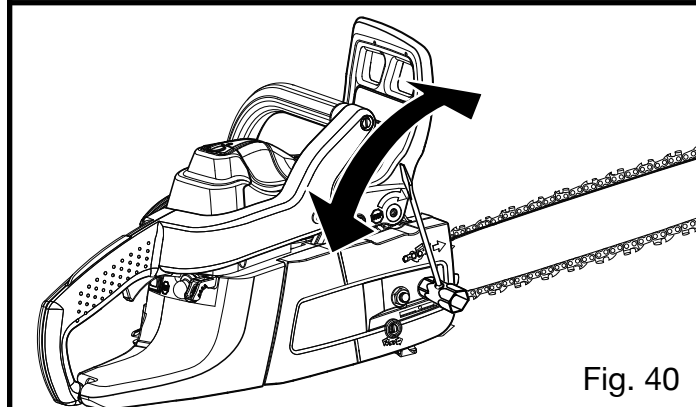


Fig. 40

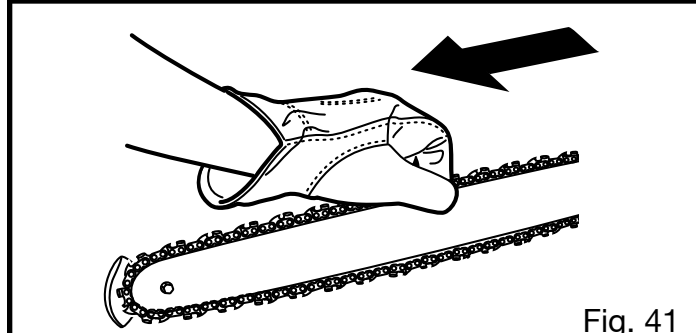


Fig. 41

## MÉPLATS DES MAILLONS D'ENTRAÎNEMENT

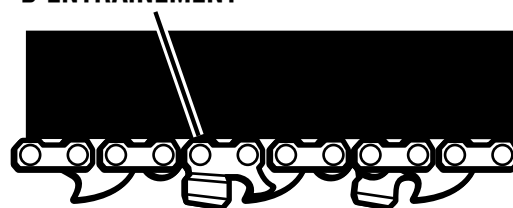


Fig. 42

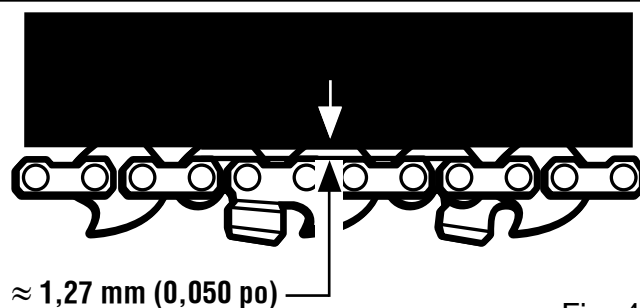


Fig. 43

# ENTRETIEN

- Éliminer complètement le mou de la chaîne en tournant la vis de réglage de tension de la chaîne vers la droite jusqu'à ce que la chaîne soit bien ajustée sur le guide, les maillons d'entraînement étant engagés dans la rainure du guide.
- Relever l'extrémité du guide pour vérifier le mou.
- Lâcher l'extrémité du guide et tourner la vis de tension de la chaîne de 1/2 tour vers la droite. Répéter l'opération jusqu'à ce que le mou soit complètement éliminé.
- Maintenir l'extrémité du guide et serrer fermement les écrous de montage du guide.

Une chaîne est correctement tendue lorsqu'elle ne présente pas de mou au dessous du guide et qu'elle est bien serrée, mais peut cependant être tournée à la main sans se gripper. S'assurer que le frein de chaîne est désengagé.

**NOTE :** Si la chaîne est trop tendue, elle ne peut pas tourner. Desserrer légèrement les écrous du guide et tourner la vis de tension de 1/4 de tour vers la gauche. Relever l'extrémité du guide et serrer fermement les écrous de montage du guide. Vérifier que la chaîne peut tourner sans se gripper.

## RÉGLAGE DE LA TENSION DE CHAÎNE

Voir les figures 42 à 44.

### **⚠ AVERTISSEMENT :**

Arrêter le moteur, attendre l'arrêt complet de toutes les pièces en mouvement, déconnecter le fil de la bougie et l'écartier de cette dernière. Ne jamais toucher ou régler la chaîne lorsque le moteur tourne. La chaîne est extrêmement tranchante. Toujours porter des gants lors de l'entretien de la chaîne. Ne pas respecter ces instructions représente un risque de blessures graves.

- Couper le moteur avant de régler la tension de la chaîne.
- Desserrer très légèrement les écrous de montage du guide.
- Tourner la vis de tension vers la droite pour tendre la chaîne.

**NOTE :** Une chaîne froide est correctement tendue lorsqu'elle ne présente pas de mou au dessous du guide et qu'elle est bien serrée mais peut cependant être tournée à la main sans se gripper.

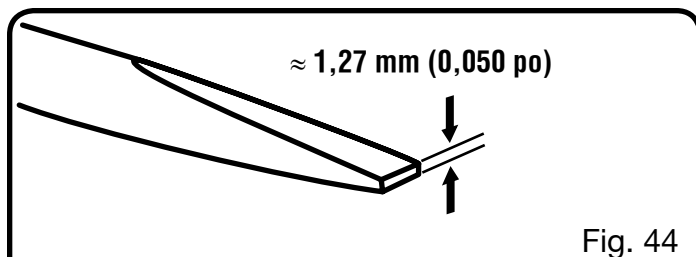


Fig. 44

### JEU DU LIMITEUR DE PROFONDEUR

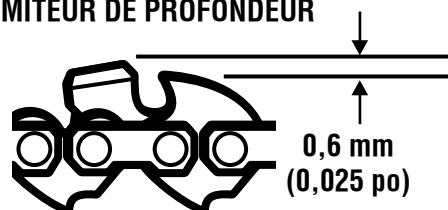


Fig. 45

### INSPECTER LE PIGNON D'ENTRAÎNEMENT

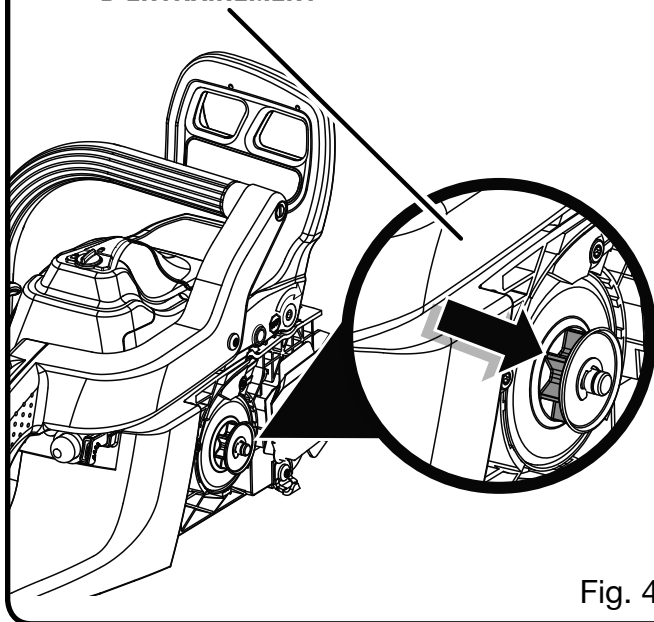


Fig. 46

- La chaîne doit être retendue lorsque les méplats des maillons d'entraînement sortent de la rainure du guide.

**NOTE :** Pendant l'utilisation normale de la scie, la température de la chaîne augmente. Les maillons d'entraînement d'une chaîne chaude correctement tendue pendent à environ 1,27 mm (0,050 po) au-dessous de la rainure du guide. La pointe d'une clé mixte peut être utilisée comme guide pour déterminer la tension correcte d'une chaîne chaude.

**NOTE :** Les chaînes neuves ont tendance à s'étirer. Il convient donc de vérifier fréquemment leur tension et de la corriger le cas échéant.

## AVIS :

Une chaîne réglée à chaud peut présenter une tension excessive une fois refroidie. Vérifier la « tension à froid » avant l'utilisation suivante.

## ENTRETIEN DE LA CHAÎNE

Voir les figures 45 et 46.

## ⚠ ATTENTION :

Arrêter le moteur et débrancher le fil de la bougie avant de travailler sur la scie d'éviter un démarrage accidentel qui pourrait entraîner des blessures graves.

Utiliser exclusivement des chaînes à rebond réduit sur cette scie. Correctement entretenue, cette chaîne à coupe rapide réduira les risques de rebond.

Pour couper rapidement et nettement, la chaîne doit être correctement entretenue.

La chaîne doit être affûtée lorsque les copeaux de bois sont petits et poudreux, lorsqu'il est nécessaire de forcer sur la scie pour couper ou lorsque la chaîne ne coupe que d'un côté. Lors de l'entretien de la chaîne, tenir compte des points suivants :

- Un angle d'affûtage incorrect de la plaque latérale peut accroître les risques de rebond puissant.
- Jeu du limiteur de profondeur
  - Un réglage trop profond accroît le risque de rebond.
  - Un réglage pas assez profond réduit la capacité de coupe.
- Si les dents de la chaîne heurtent des objets durs tels que des clous ou des pierres, ou sont abrasées par du sable ou de la boue se trouvant sur le bois, la faire affûter dans un centre de réparations agréé.

**NOTE :** Lors du remplacement de la chaîne, s'assurer que le pignon d'entraînement n'est ni usé, ni endommagé. En cas de signes d'usure ou de dommages aux endroits indiqués, faire remplacer le pignon dans un centre de réparation agréé.

**NOTE :** Si les instructions d'affûtage de la chaîne ne sont pas bien comprises confier l'affûtage de la chaîne à un centre de réparations agréé ou la remplacer par une chaîne à rebond réduit recommandée.

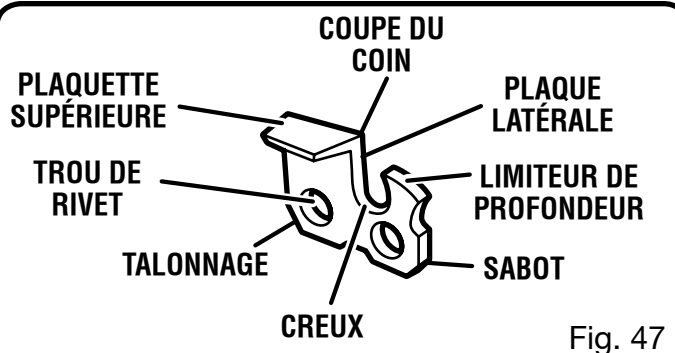


Fig. 47

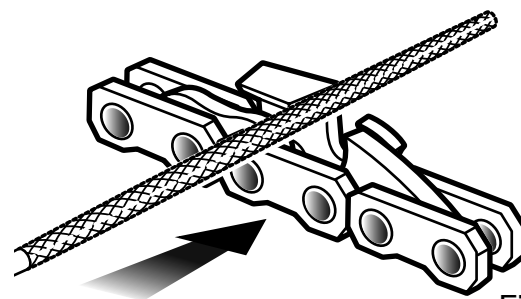


Fig. 48

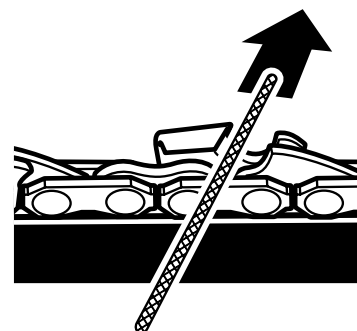


Fig. 49

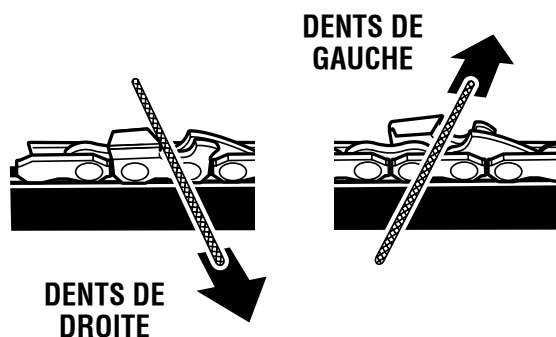


Fig. 50

## AFFÛTAGE DES DENTS

Voir les figures 47 à 50.

Veiller à limer toutes les dents aux angles spécifiés et à la même longueur, car une coupe rapide ne peut être obtenue qu'avec des dents uniformes.

## ⚠ AVERTISSEMENT :

La chaîne est extrêmement tranchante. Toujours porter des gants protecteurs lors de l'entretien de la chaîne, afin d'éviter des blessures graves.

- Tendre la chaîne correctement avant de l'affûter. Voir **Réglage de la tension de chaîne**.
- Utiliser une lime ronde de 4,0 mm (3/16 po), et un porte-lime. Tout le limage doit être effectué au point central du guide.
- Garder la lime de niveau avec la plaque supérieure de la dent. Ne pas incliner la lime ou utiliser un mouvement de bascule.
- Exercer une pression légère mais ferme. Limer en direction du coin avant de la dent.
- Soulever la lime de l'acier à chaque retour.
- Effectuer quelques passes fermes sur chaque dent. Limer toutes les gouges de gauche dans un sens. Ensuite, passer à l'autre côté et limer toutes les gouges de droite dans l'autre sens.
- Éliminer la limaille de la lime au moyen d'une brosse métallique.

## AVIS :

Une chaîne émoussée ou incorrectement affûtée peut causer un régime excessif du moteur pendant la coupe et l'endommager gravement.

## ⚠ AVERTISSEMENT :

Un affûtage incorrect de la chaîne accroît le risque de rebond, ce qui peut causer des blessures graves.

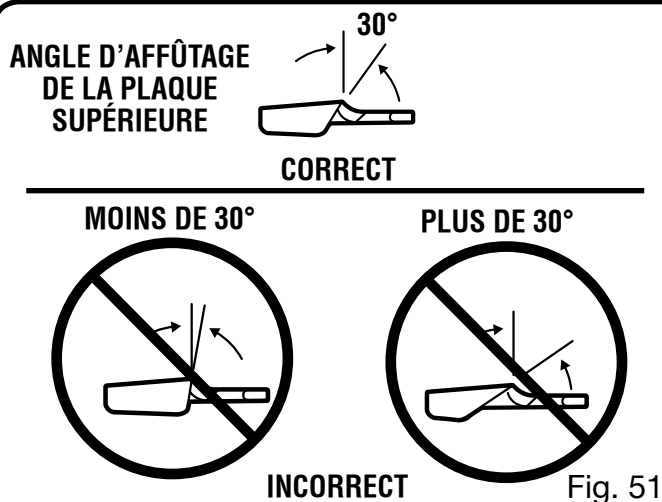
## ⚠ AVERTISSEMENT :

L'utilisation d'une chaîne endommagée peut causer des blessures graves.

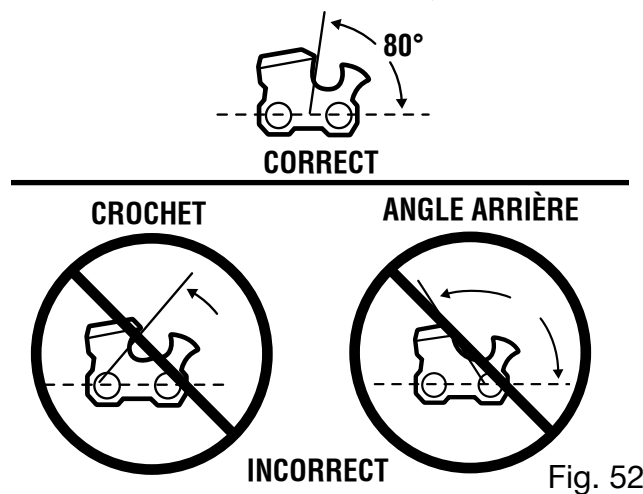
## ANGLE D'AFFÛTAGE DE LA PLAQUE SUPÉRIEURE

Voir la figure 51.

- **CORRECT 30°** – Les porte-limes sont dotés de repères permettant d'aligner la lime correctement, de façon à obtenir un angle de plaque supérieure satisfaisant.



## ANGLE D'AFFÛTAGE DE LA PLAQUE LATÉRALE



- **MOINS DE 30°** – Pour le tronçonnage
- **PLUS DE 30°** – Tranchant aminci, s'émousse rapidement.

## ANGLE DE PLAQUE LATÉRALE

Voir la figure 52.

- **CORRECT 80°** – Obtenu automatiquement si une lime de diamètre approprié est placée dans le porte-limes.
- **CROCHET** – « Accroche » le bois et s'émousse rapidement, ce qui accroît le risque de REBOND. Résulte de l'emploi d'une lime de trop petit diamètre ou d'une lime tenue trop bas.
- **ANGLE ARRIÈRE** – Nécessite une pression d'attaque excessive, causant l'usure prématurée du guide et de la chaîne. Résulte de l'emploi d'une lime de trop grand diamètre ou d'une lime tenue trop haut.

## MAINTIEN DU JEU DU LIMITEUR DE PROFONDEUR

Voir les figures 53 à 55.

- Le jeu du limiteur de profondeur doit être maintenu à 0,6 mm (0,025 po). Utiliser une jauge de profondeur pour vérifier le jeu du limiteur.
- Vérifier le jeu du limiteur de profondeur lors de chaque affûtage de la chaîne.
- Utiliser une lime plate et un coupleur pour limer tous les limiteurs de profondeur uniformément. Utiliser un coupleur de limiteur de 0,6 mm (0,025 po). Après avoir abaissé chaque limiteur de profondeur, lui rendre sa forme d'origine en arrondissant l'avant. Veiller à ne pas endommager les maillons d'entraînement adjacents avec le bord de la lime.
- Les limiteurs de profondeur doivent être ajustés avec la lime plate, dans le sens dans lequel les dents adjacentes ont été affûtées avec la lime ronde. Veiller à ne pas toucher la face de la gouge avec la lime plate lors de l'ajustement des limiteurs de profondeur.

## ENTRETIEN DU GUIDE

Voir la figure 56.

### **ATTENTION :**

S'assurer que la chaîne s'est immobilisée avant d'entreprendre tout travail sur la scie.

Un entretien adéquat maximisera la durée de vie utile du guide.

### Chaque journée d'utilisation :

Nettoyez et inspecté Le guide en vue d'usure ou de dommage. Les amincissements et ébarbures sur les rails du guide font partie de l'usure normale, mais ces défauts doivent être limés dès qu'ils apparaissent.

### Chaque semaine d'utilisation :

- Inverser le guide sur la chaîne, afin de répartir l'usure.
- Lubrifier la roue dentée à l'extrémité du guide en insérant un pistolet graisseur dans le trou de lubrification.

### JEU DU LIMITEUR DE PROFONDEUR



Fig. 53

### COUPLEUR DE LIMITEUR DE PROFONDEUR

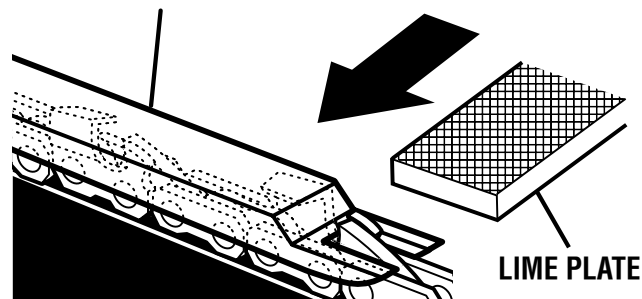
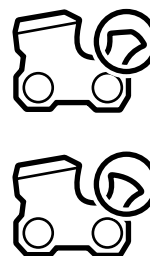


Fig. 54



RENDRE LA FORME D'ORIGINE EN ARRONDISSANT L'AVANT

Fig. 55

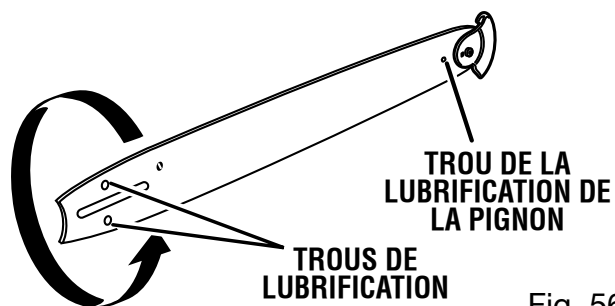


Fig. 56

- Retourner le guide et s'assurer que les trous de lubrification et la rainure de chaîne sont propres.

### Un guide présentant l'un ou plusieurs des défauts ci-dessous doit être remplacé :

- Usure de l'intérieur des rails permettant à la chaîne de se coucher sur le côté
- Guide tordu
- Rails fêlés ou brisés
- Rails écartés



## INSTALLATION DE LA GARDE SAFE-T-TIP™

Voir les figures 57 et 58.

- Arrêter le moteur et débrancher le fil de la bougie.
- Installer la garde SAFE-T-TIP™ sur l'extrémité du guide.
- Engager le tenon de verrouillage dans le fente à évidement du guide.
- Serrer la vis de montage avec la clé jusqu'à ce que sa tête fasse contact.
- Une fois que la tête est en contact, donner 3/4 de tour supplémentaire.

## ENTRETIEN DE LA GARDE SAFE-T-TIP™

Voir les figures 57 et 58.

### **ATTENTION :**

S'assurer que la chaîne s'est immobilisée avant d'entreprendre tout travail sur la scie.

### **AVERTISSEMENT :**

Bien que le dispositif antirebond SAFE-T-TIP™ ait été installé en usine, vérifier le serrage de sa vis de montage avant chaque utilisation.

Suivre les instructions ci-dessous pour serrer la vis de montage sur la garde. La vis est en acier spécialement trempé. Si la vis ne peut pas être installée correctement, la remplacer, ainsi que le dispositif SAFE-T-TIP™ avant d'utiliser la scie.

**NOTE :** Ne pas utiliser une vis ordinaire. Utiliser exclusivement des pièces identiques à celles d'origine pour les réparations.

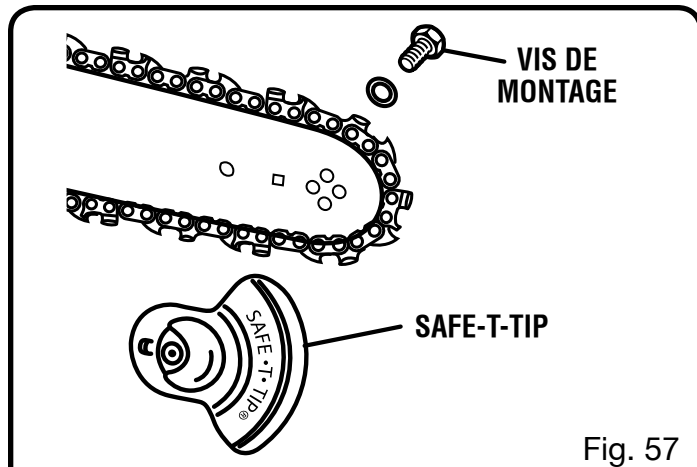


Fig. 57

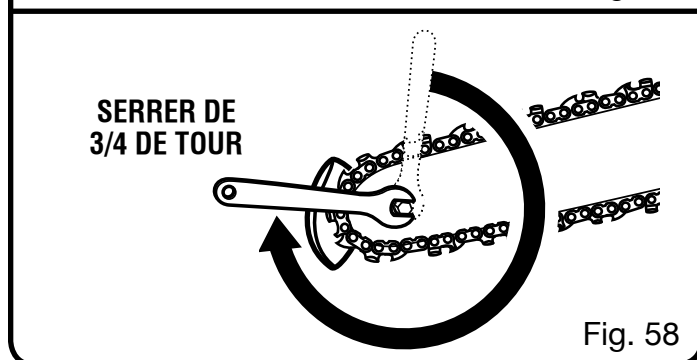


Fig. 58

Non seulement le dispositif SAFE-T-TIP™ empêche l'extrémité du guide de heurter des objets durs, il protège la chaîne des matériaux abrasifs tels que la terre. Le garder du côté droit du guide, afin que la chaîne soit protégée lors des travaux de coupe au ras du sol.

La vis de fixation doit être serrée au moyen d'une clé de 7,9 mm (5/16 po) (ou d'une clé à molette), au couple recommandé de 4 à 5 N·m (35 à 45 lb·pi). Ce couple peut être obtenu de la manière suivante.

- Serrer la vis avec la clé jusqu'à ce que sa tête fasse contact.
- Une fois que la tête est en contact, donner 3/4 de tour supplémentaire.

## NETTOYAGE DU FILTRE À AIR

Voir les figures 59 à 62.

- Appuyer sur le bouton situé sur le couvercle du filtre à air et le tourner dans le sens contraire des aiguilles d'une montre pour déverrouiller ce dernier. Soulever le couvercle vers le haut afin de le retirer; le mettre de côté.
  - Avant de retirer le filtre à air du carburateur, éliminer le plus possible de saleté et de sciure du pourtour du carburateur et de la chambre de combustion au moyen d'une brosse ou d'un jet d'air comprimé.
- NOTE:** S'assurer que la tige d'enrichisseur est tirée, afin d'empêcher la contamination du carburateur.
- Utilisant la clé mixte fournie ou un tournevis à lame plate, retirer la vis de fixation du filtre à air.
  - Placer un tournevis à lame plate entre les languettes et utiliser un mouvement de torsion, pour libérer le filtre de sa base.
  - Séparer le filtre à air de sa base.

### Choisir l'une des options de nettoyage suivantes :

- Pour nettoyer légèrement le filtre, le tapoter sur une surface plane et lisse, pour déloger la plus grande partie de la poussière et de la sciure.
- Toutes les 5 heures de fonctionnement, laver le filtre à l'eau savonneuse chaude, le rincer et le laisser sécher complètement. Remplacer le filtre toutes les 25 heures d'utilisation.

**NOTE :** Le filtre peut également être nettoyé au moyen d'un jet d'air comprimé. Toujours porter une protection oculaire.

- Réinstaller le filtre à air et vis, en veillant à ce que ses languettes s'engagent dans les rainures de la base du filtre.
- Réinstaller le couvercle du filtre à air. Appuyer sur le bouton et le tourner dans le sens des aiguilles d'une montre afin de reverrouiller le couvercle du filtre à air.
- Le préfiltre doit être nettoyé toutes les 5 heures d'utilisation, ou plus fréquemment si nécessaire. Retirer la culasse, le démarreur et la chicane du ventilateur pour accéder au préfiltre du compartiment moteur.

**NOTE :** Si un jet d'air comprimé est utilisé pour le séchage, souffler les deux côtés du filtre.

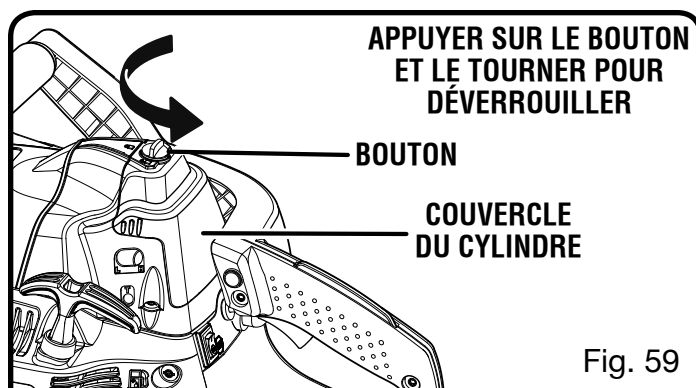


Fig. 59

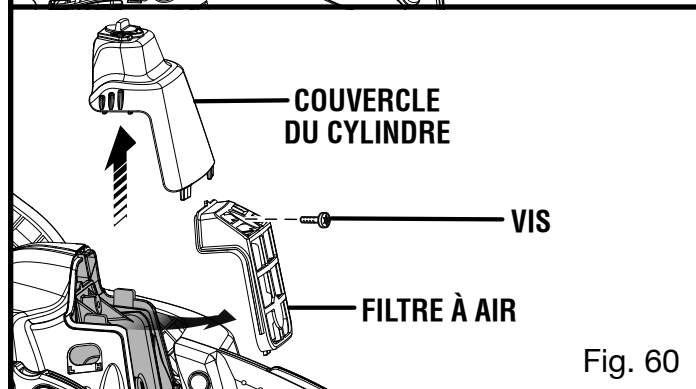


Fig. 60

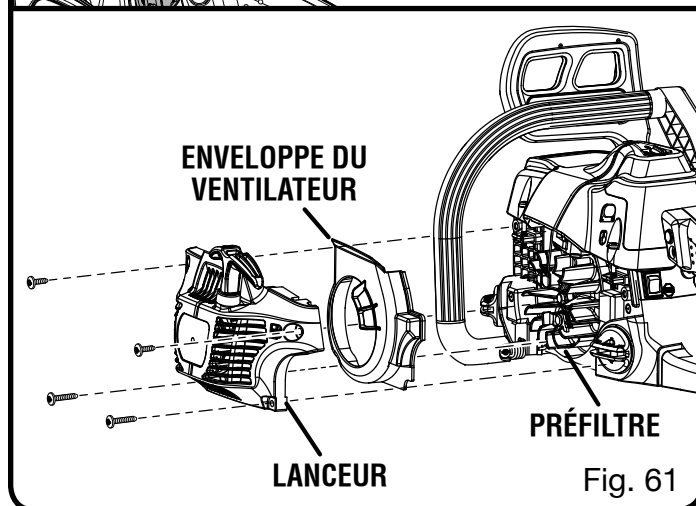


Fig. 61

### AVIS :

S'assurer que le filtre à air est correctement placé dans sa base avant de remonter l'ensemble. Ne jamais faire tourner le moteur sans filtre à air, puisque cela peut endommager gravement la scie à chaîne.

## NETTOYAGE DU LANCEUR

Voir la figure 63.

Nettoyer les grilles de refroidissement du lanceur avec un pinceau ou de l'air comprimé.

## RÉGLAGE DU CARBURATEUR

Voir le figure 63 et 64.

### **⚠ AVERTISSEMENT :**

La chaîne se déplacera autour du guide de chaîne lors du réglage du ralenti. Porter des vêtements de protection et éloigner les autres personnes, enfants et animaux à une distance d'au moins 15 m (50 pi). Effectuer les réglages en posant l'outil sur une surface stable de manière à éviter tout contact de la chaîne et du guide avec le sol ou tout autre objet. Garder toutes les parties du corps éloigné de la chaîne/guide et de l'échappement. Ne pas suivre ces directives peut causer des blessures graves.

### Avant de régler le carburateur :

- Nettoyer les ouïes d'aération du couvercle du lanceur avec une brosse ou de l'air comprimé.
- Nettoyer le filtre à air. Voir **Nettoyage du filtre à air**, à la section *Entretien* de ce manuel.
- Laisser le moteur se réchauffer avant d'entreprendre le réglage du ralenti.

### **⚠ AVERTISSEMENT :**

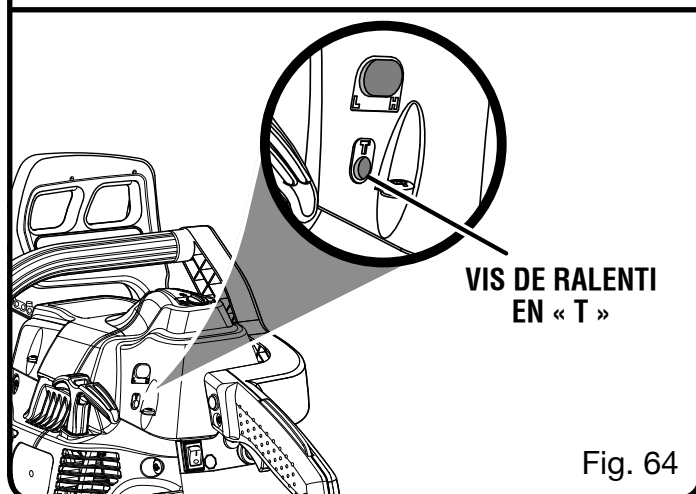
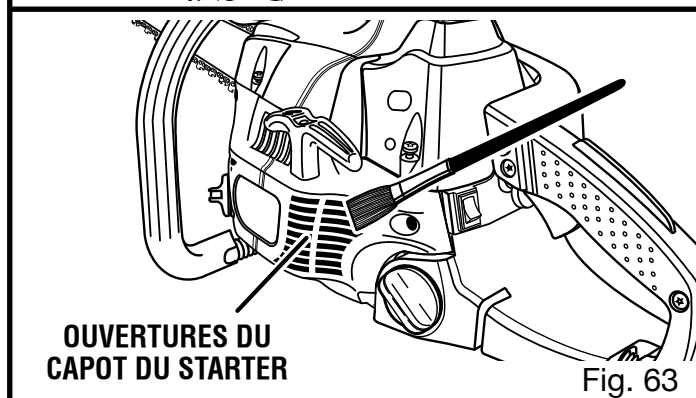
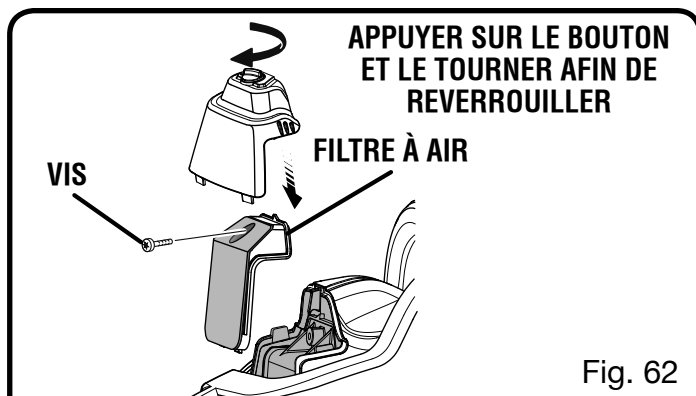
Les conditions climatiques et l'altitude peuvent affecter la carburation. Ne permettre à personne de s'approcher de la scie pendant le réglage du carburateur.

**Réglage de la vitesse de ralenti** – La vis de ralenti contrôle le degré d'ouverture du papillon lorsque la gâchette d'accélérateur est relâchée. Réglage :

- Tourner la vis de ralenti « T » vers la droite, pour augmenter le régime de ralenti.
- Tourner la vis de ralenti « T » vers la gauche, pour réduire le régime de ralenti.

### **⚠ AVERTISSEMENT :**

LA CHAÎNE NE DOIT JAMAIS TOURNER LORSQUE LE MOTEUR EST AU RALENTI. La rotation de la chaîne au ralenti peut causer des blessures graves.



## NETTOYAGE DU MOTEUR

Voir les figures 65 et 66.

Nettoyer périodiquement les ailettes du cylindre et du volant-moteur au moyen d'un pinceau ou d'un jet d'air comprimé. Un cylindre encrassé peut causer une surchauffe dangereuse du moteur.

### **⚠ AVERTISSEMENT :**

Ne jamais utiliser la scie sans que toutes les pièces, y compris le capot du moteur et le boîtier du lanceur soient solidement installées.

Les pièces pouvant se briser et être projetées, confier les réparations du volant moteur et de l'embrayage à un centre de réparation agréé.

**NOTE :** Si un outil motorisé semble avoir perdu de la puissance, l'orifice d'échappement et le silencieux peuvent être obstrués par de la calamine. Cette calamine doit être éliminée pour restaurer le fonctionnement correct. Il est vivement recommandé de confier ce travail à un technicien qualifié.

## VÉRIFICATION DU FILTRE À CARBURANT

Voir la figure 67.

Vérifier le filtre à carburant régulièrement. Le remplacement du filtre à carburant doit être confié à un centre de réparations agréé en cas de contamination ou de dommages.

## REMPACEMENT DE LA BOUGIE

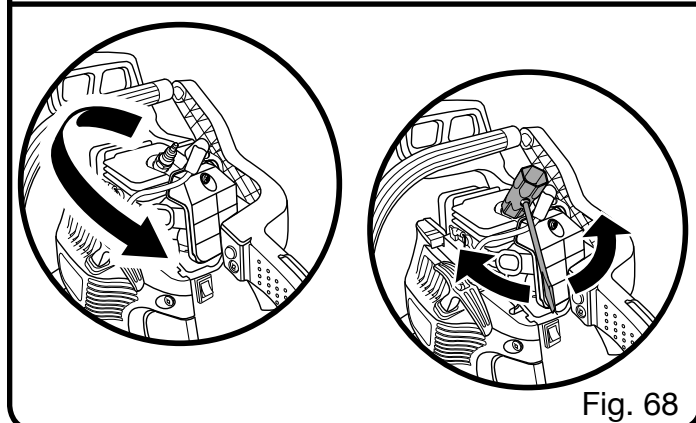
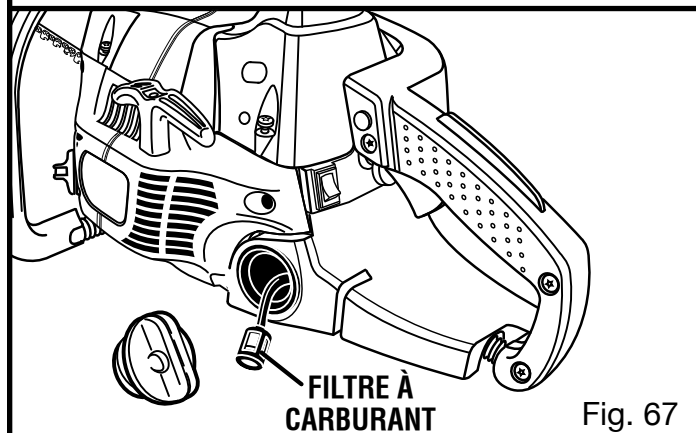
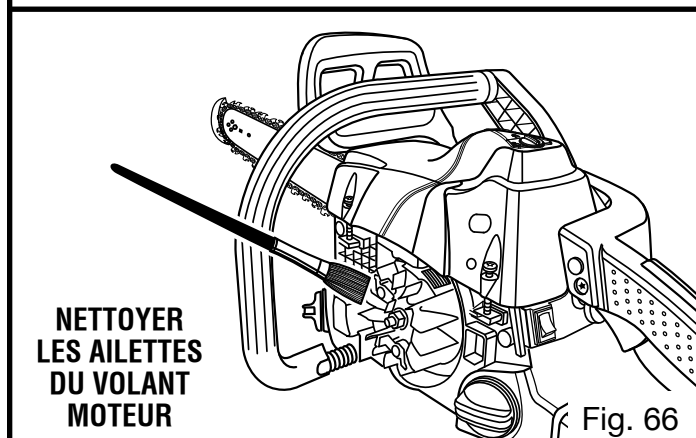
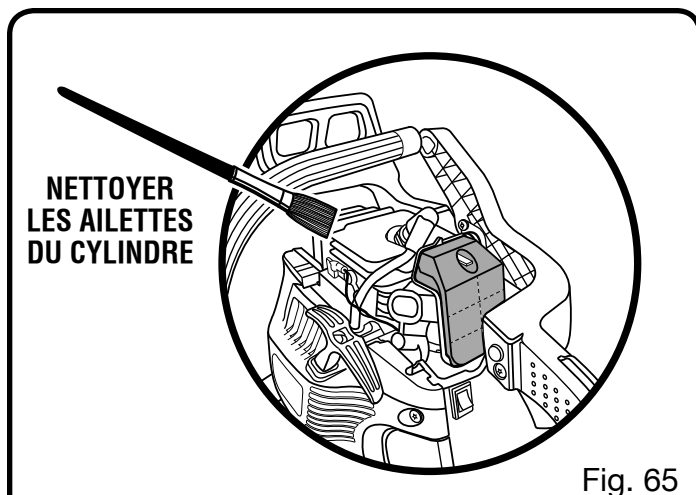
Voir la figure 68.

Ce moteur utilise une bougie Champion RCJ6Y avec un écartement d'électrode de 0,64 mm (0,025 po). Remplacer la bougie toutes les 125 heures de fonctionnement ou plus fréquemment si nécessaires. Remplacer par une bougie identique.

### **AVIS :**

Laisser refroidir le moteur avant de retirer la bougie. Le retrait de la bougie d'un moteur chaud peut entraîner des dégâts importants à la scie à chaîne.

- Desserrer la bougie en la tournant vers la gauche, à l'aide de la clé mixte fournie ou d'autres clé à douille approprié.
- Retirer la bougie.



# ENTRETIEN

- Visser la nouvelle bougie à la main en la tournant vers la droite. Serrer fermement avec une clé à bougie.

**NOTE :** Veiller à ne pas fausser le filetage de la bougie. Ceci endommagerait sérieusement le cylindre.

## NETTOYAGE DE L'ORIFICE D'ÉCHAPPEMENT, DU SILENCIEUX ET PARE-ÉTINCELLES

### AVIS :

Ce produit est équipé d'un pare-étincelles qui a été évalué par le Service forestier des États-Unis; cependant, les utilisateurs du produit doivent respecter les réglementations locales et gouvernementales de lutte contre l'incendie. Consulter les autorités appropriées. Contacter le service à la clientèle ou un centre de réparations qualifié pour acheter un pare-étincelles de rechange.

**NOTE :** Suivant le type de carburant utilisé, le type et la quantité de lubrifiant et / ou les conditions de travail, l'orifice d'échappement et le silencieux peuvent se calaminer. Si un outil motorisé semble avoir perdu de la puissance, cette calamine doit être éliminée pour restaurer le fonctionnement normal. Il est vivement recommandé de confier ce travail à un technicien qualifié.

Le pare-étincelles doit être nettoyé ou remplacé toutes les 50 heures de fonctionnement ou tous les ans pour assurer le fonctionnement correct de l'outil. L'emplacement du pare-étincelles diffère suivant le modèle. Contacter le concessionnaire le plus proche pour connaître l'emplacement du pare-étincelles sur le modèle utilisé.

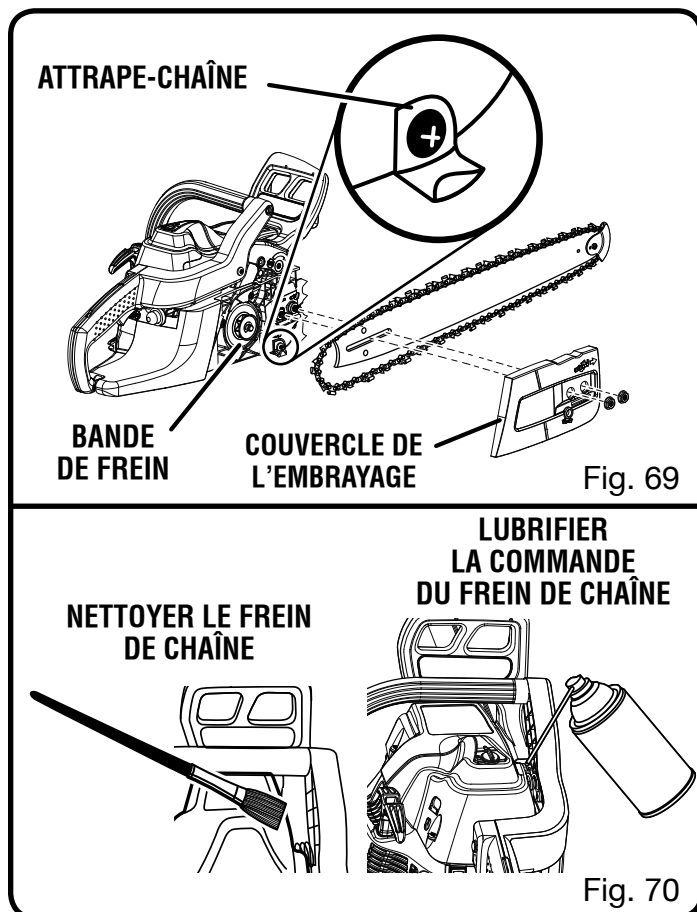
### ⚠ AVERTISSEMENT :

Ne jamais utiliser la scie à chaîne sans le pare-étincelles. Ne pas prendre cette précaution peut causer un incendie, entraînant des blessures graves.

## INSPECTION ET NETTOYAGE DU FREIN DE CHAÎNE

Voir les figures 69 et 70.

- Retirer le couvercle de l'embrayage et nettoyer les composants du frein de chaîne. Vérifier



l'usure de la bande de frein et la remplacer si elle est usée ou déformée. La bande ne doit pas être usée au-delà de 0,61 mm (0,024 po), c'est à dire la moitié de son épaisseur.

- Toujours garder le mécanisme du frein de chaîne propre et pinceau légèrement son articulation.
- Toujours vérifier le fonctionnement du frein après le nettoyage. Voir **Utilisation du frein de chaîne**, pour des informations plus détaillées.
- Inspecter l'attrape-chaîne et le remplacer s'il est endommagé.

### ⚠ AVERTISSEMENT :

Même si le mécanisme est nettoyé quotidiennement, la fiabilité du frein de chaîne dans des conditions de chantier ne peut pas être assurée. Laisser la garde SAFE-T-TIP™ en place sur le guide de chaîne et utiliser les techniques de coupe appropriées.

# ENTRETIEN

## REMISAGE LE PRODUIT

- Nettoyer soigneusement le produit. La remiser dans un endroit bien aéré, inaccessible aux enfants. La tenir à l'écart de produits corrosifs, tels que les produits chimiques de jardinage et le sel de dégivrage.
- Se conformer à toutes les réglementations locales et gouvernementales concernant la sécurité de la manipulation et de l'entreposage de l'essence.

### Remisage 1 mois ou plus :

- Vider complètement le réservoir de carburant dans un bidon ou jerrycan approuvé pour l'essence.
- Laisser le moteur tourner jusqu'à ce qu'il cale. Ceci brûle tout le mélange essence / huile qui pourrait, en vieillissant, laisser un résidu gommeux dans le circuit de carburant.
- Appuyer plusieurs fois sur la poire d'amorçage pour purger le carburant du carburateur.

- Vider complètement le réservoir d'huile de chaîne et de guide dans un bidon ou jerrycan approuvé pour l'huile.
- Toujours placer le fourreau sur le guidechaîne et la chaîne lors du transport ou du remisage.

## FONCTIONNEMENT DU MOTEUR À HAUTE ALTITUDE

Confier le moteur à un centre de réparations agréé si celui-ci doit être utilisé à une altitude supérieure à 609,6 m (2 000 pi). Ne pas suivre cette directive peut nuire au bon fonctionnement du moteur et augmenter les émissions. Un moteur qui a été réglé pour fonctionner à haute altitude ne peut être utilisé à 609,9 m (2 000 pi) ou moins. Ne pas respecter cette directive peut entraîner une surchauffe du moteur et l'endommager sérieusement. Veuillez confier tout moteur ayant subi des modifications en vue d'être utilisé à haute altitude à un centre de réparations agréé, qui se chargera de le reconfigurer selon les spécifications d'usine d'origine avant qu'il soit utilisé à une altitude inférieure à 609,6 m (2 000 pi).

## PROGRAMME D'ENTRETIEN

Pièce d'entretien	Inspecter avant chaque utilisation n'est pas endommagé	Nettoyer toutes le 5 heures de fonctionnement	Remplacer toutes les 25 heures ou chaque année	Reemplácelo cada 50 heures
<b>*ENSEMBLE CATALYTIQUE DU SILENCIEUX</b> .....				X
<b>ÉCRAN PARE-ÉTINCELLES</b> .....				X
<b>*FILTRE À AIR</b>				
inclut :				
Filtrant .....				X
<b>*CARBURATEUR</b>				
inclut :				
Joints.....				X
<b>*RÉSERVOIR DE CARBURANT</b>				
inclut :				
Conduites de carburant.....				X
Bouchon du réservoir de carburant .....				X
Filtre à carburant .....				X
<b>*ALLUMAGE</b>				
inclut :				
Bougie .....				X
<b>*AVIS : L'UTILISATION DE DISPOSITIFS ANTIPOLLUTION AUTRES QUE CEUX CONÇUS POUR CET OUTIL REPRÉSENTE UNE VIOLATION DE LA LOI FÉDÉRALE.</b>				

# COMBINAISONS DE GUIDE ET CHAÎNE

Caractéristiques de la chaîne : pas de 8,3 mm (0,325 po), calibre de 1,3 mm (0,05 po)

Longueur du guide	N° de référence du guide	N° de référence de la chaîne	Maillons d'entraînement
50 cm (20 pulg.)	310629001	900920027	78

## DÉPANNAGE

Problème	Cause possible	Solution
Le moteur ne démarre pas.	Pas d'étincelle.  Moteur noyé.	Nettoyer ou remplacer la bougie. Régler l'écartement de l'électrode. Voir <b>Remplacement de la bougie</b> plus haut dans ce manuel.  Retirer la bougie. Mettre le levier de volet de départ en position de <b>MARCHE</b> (complètement enfoncé) et tirer 15 à 20 fois sur le cordon du lanceur. Ceci chasse l'excédent de carburant du moteur. Nettoyer la bougie et la remettre en place. Enfoncer et relâcher la poire d'amorçage 10 fois. Le levier de volet de départ étant en position de <b>MARCHE</b> , tirer trois fois sur le poignée du lanceur et corde. Si le moteur ne démarre pas, mettre le levier de volet de départ en position <b>COMPLÈTEMENT OUVERTE</b> et répéter la procédure normale de démarrage. Le moteur ne démarre toujours pas, répéter la procédure avec une nouvelle bougie.
Le moteur démarre, mais n'accélère pas correctement :	Le carburateur nécessite un réglage de bas régime « <b>L</b> ».	Contactez un centre de réparation agréé pour le réglage du carburateur.
Le moteur démarre, puis cale.	Le carburateur nécessite un réglage de bas régime « <b>L</b> ».	Contactez un centre de réparation agréé pour le réglage du carburateur.
Le moteur démarre, mais ne tourne pas régulièrement à haut régime.	Le pointeau de haut régime « <b>H</b> » nécessite un réglage.	Contactez un centre de réparation agréé pour le réglage du carburateur.
Le moteur ne parvient pas au régime maximum et/ou dégage trop de fumée.	Mélange incorrect de carburant et de lubrifiant.  Filtre à air encrassé.  Écran pare-étincelles encrassé  Le pointeau de haut régime « <b>H</b> » nécessite un réglage.	Utiliser du carburant frais et le bon mélange de lubrifiant 2 temps.  Nettoyer le filtre à air voir <b>Nettoyage du filtre à air</b> dans la section <i>Entretien</i> de ce manuel.  Nettoyer l'écran pare-étincelles voir <b>Inspection et nettoyage du pare-étincelles</b> dans la section <i>Entretien</i> de ce manuel.  Contactez un centre de réparation agréé pour le réglage du carburateur.

# DÉPANNAGE

Problème	Cause possible	Solution
<p>Le moteur démarre, tourne et accélère correctement, mais ne tient pas le ralenti.</p> <p>La chaîne tourne lorsque le moteur est au ralenti.</p>	<p>Le carburateur nécessite un réglage de ralenti.</p> <p>Le carburateur nécessite un réglage de ralenti.</p> <p>Fuite d'air dans le système d'admission.</p>	<p>Tourner la vis de ralenti « T » vers la droite, pour augmenter le régime de ralenti. Voir <b>Réglage du carburateur</b> à la section <i>Entretien</i> de ce manuel.</p> <p>Tourner la vis de ralenti « T » vers la gauche pour réduire le régime de ralenti. Voir <b>Réglage du carburateur</b> à la section <i>Entretien</i> de ce manuel.</p> <p>Contactez un centre de réparation agréé pour obtenir un kit de remise à neuf.</p>
<p>Le guide et la chaîne chauffent et fument.</p>	<p>Réservoir d'huile vide.</p> <p>Tension de la chaîne excessive.</p> <p>Le graisseur ne fonctionne pas.</p>	<p>Le réservoir d'huile doit être rempli à chaque approvisionnement en carburant.</p> <p>Pour la tension de chaîne suivre les instructions dans <b>Ajuster la tension de chaîne</b> dans la section <i>Entretien</i> de ce manuel.</p> <p>Laisser le moteur tourner à mi-régime pendant 30 à 45 secondes. Arrêter la scie et regarder si de la lubrifiant s'égoutte de la garde SAFE-T-TIP™ et du guide. La présence d'huile peut signifier que la chaîne est émoussée ou que le guide est endommagé. En l'absence de toute trace de lubrifiant à la garde SAFE-T-TIP™, contacter un centre de réparation agréé.</p>
<p>Le moteur démarre et tourne, mais la chaîne ne se met pas en rotation.</p>	<p>Frein de chaîne engagé.</p> <p>Tension de la chaîne excessive.</p> <p>Assemblage incorrect de l'ensemble guide et chaîne.</p> <p>Ensemble guide et chaîne endommagé.</p> <p>Dents du pignon d'entraînement endommagées.</p>	<p>Desserrer le frein de chaîne. Voir <b>Utilisation du frein de chaîne</b>, à la section <i>Utilisation</i> de ce manuel.</p> <p>Tendre la chaîne conformément aux instructions du chapitre <b>Réglage de la tension de chaîne</b> de la section <i>Entretien</i> de ce manuel.</p> <p>Voir <b>Changement du guide de chaîne et de la chaîne</b> dans la section <i>Entretien</i> de ce manuel</p> <p>S'assurer que l'ensemble guide et chaîne n'est pas endommagé.</p> <p>Contactez un centre de réparation agréé pour le remplacement du pignon.</p>

Si le problème persiste après avoir essayé les solutions ci-dessus, communiquer avec le Service à la clientèle ou un centre de réparations qualifié le plus proche pour obtenir de l'aide.

## AVIS :

Le propriétaire de cet équipement est tenu d'effectuer les entretiens requis indiqués dans la section *Entretien*. Il est recommandé de conserver tous les reçus d'entretien de votre équipement. La négligence ou l'oubli de procéder à l'entretien requis représente un risque d'augmentation des émissions, de diminuer le rendement énergétique, de nuire à la performance, créer des bris irréparables du moteur et de annuleront la garantie.



## ÉNONCÉ DE LA GARANTIE LIMITÉE

Techtronic Industries North America, Inc., garantit à l'acheteur original que ce produit RYOBI® est exempt de tous vices de matériaux ou de fabrication et s'engage à réparer ou remplacer gratuitement, à son choix, tout produit s'avérant défectueux au cours des périodes indiquées ci-dessous, à compter de la date d'achat.

- Trois ans sur les produits utilisés par des particuliers ;
- 90 jours sur les produits utilisés à toutes autres fins, telles que les travaux commerciaux et la location.

Cette garantie n'est offerte qu'à l'acheteur original et entre en vigueur à la date de l'achat original.

Toute pièce de ce produit jugée, après évaluation raisonnable par Techtronic Industries North America, Inc., comme présentant des vices de matériaux ou de fabrication, sera réparée ou remplacée, sans facturation pour pièces ou main d'oeuvre par un centre de réparations agréé pour produits d'extérieur de marque RYOBI® (centre de réparations Ryobi agréé).

Le produit, y compris toutes les pièces défectueuses devront être retournés à un centre de réparations Ryobi agréé, avant expiration de la période de garantie. Les frais d'expédition au centre de réparations pour les travaux sous garantie et de retour au propriétaire du produit seront assumés par le propriétaire. En ce qui concerne les réclamations en garantie, la responsabilité Techtronic Industries North America, Inc., se limitera à la réparation ou au remplacement des produits défectueux et aucune revendication de rupture de garantie ne pourra causer l'annulation ou la résiliation du contrat de vente d'un produit d'extérieur RYOBI® quel qu'il soit. Une preuve d'achat sera exigée par le centre de réparation, afin de valider toute réclamation au titre de la garantie. Toutes les réparations sous garantie devront être effectuées par un centre de réparations agréé.

La garantie sur tout produit d'extérieur RYOBI® utilisé pour la location, des travaux commerciaux ou tout autre usage lucratif, sera limitée à quatre-vingt-dix (90) jours, à compter de la date d'achat au détail original.

Cette garantie ne couvre pas les produits ayant fait l'objet d'un usage abusif ou négligent, d'un manque d'entretien, ayant été impliqués dans un accident ou employé de façon contraire aux instructions du manuel d'utilisation. Cette garantie ne couvre ni les dommages aux produits résultant d'un manque d'entretien, ni les produits qui ont été altérés ou modifiés. La garantie exclut les réparations rendues nécessaires par l'usure normale ou l'utilisation de pièces et accessoires incompatibles avec le produit d'extérieur RYOBI® ou nuisibles à son bon fonctionnement, ses performances ou sa durabilité. En outre, cette garanti exclut :

A. Les réglages – Bougies, carburateur, réglages du carburateur, allumage, filtres

B. Les articles consommables – Boutons d'avance par choc, bobines externes, lignes de coupe, bobines internes, poulies et cordons de lanceur, courroies d'entraînement, dents, rondelles en feutre, axes d'attelage, lames de paillage, ventilateur de soufflante, tubes de soufflage et d'aspiration, sacs à débris, guides, chaînes de scie

Techtronic Industries North America, Inc., se réserve le droit d'apporter des modifications ou améliorations à tout produit extérieur RYOBI®, sans obligation de modifier les produits fabriqués antérieurement.

LA DURÉE DE TOUTES LES GARANTIES IMPLICITES NE SAURAIT EN AUCUN CAS EXCÉDER LA PÉRIODE DE GARANTIE DÉCLARÉE. PAR CONSÉQUENT, TOUTES LES GARANTIES IMPLICITES, Y COMPRIS LES GARANTIES DE VALEUR MARCHANDE OU D'ADÉQUATION À UN USAGE PARTICULIER OU AUTRES SERONT INVALIDÉES À L'EXPIRATION DE LA PÉRIODE DE GARANTIE APPROPRIÉE DE TROIS ANS OU QUATRE-VINGT-DIX JOURS. LES OBLIGATIONS DE TECHTRONIC INDUSTRIES NORTH AMERICA, INC., DANS LE CADRE DE CETTE GARANTIE SE LIMITENT EXCLUSIVEMENT À LA RÉPARATION OU AU REMPLACEMENT DES PIÈCES DÉFECTUEUSES ET TECHTRONIC INDUSTRIES NORTH AMERICA, INC. N'ASSUME OU N'AUTORISE QUICONQUE À ASSUMER QUELQUE AUTRE OBLIGATION QUE CE SOIT. CERTAINS ÉTATS ET PROVINCES NE PERMETTANT PAS DE LIMITATION DE DURÉE DES GARANTIES IMPLICITES, LES RESTRICTIONS CI-DESSOUS PEUVENT NE PAS ÊTRE APPLICABLES. TECHTRONIC INDUSTRIES NORTH AMERICA, INC., DÉCLINE TOUTE RESPONSABILITÉ EN CE QUI CONCERNE LES DOMMAGES DIRECTS, INDIRECTS OU AUTRES, Y COMPRIS, MAIS SANS S'Y LIMITER, LES FRAIS DE RETOUR DE PRODUITS À UN CENTRE DE RÉPARATION RYOBI AGRÉÉ ET DE RENVOI AU PROPRIÉTAIRE, DE DÉPLACEMENT D'UN TECHNICIEN, DE TÉLÉPHONE OU TÉLÉGRAMME, DE LOCATION D'UN PRODUIT SIMILAIRE PENDANT LA DURÉE DES RÉPARATIONS SOUS GARANTIE, DE DÉPLACEMENT, DE PERTES OU DOMMAGES À DES BIENS PERSONNELS, DE MANQUE À GAGNER, DE PERTE D'USAGE DU PRODUIT, DE PERTE DE TEMPS OU DE DÉRANGEMENT. CERTAINS ÉTATS ET PROVINCES NE PERMETTANT L'EXCLUSION OU LA LIMITATION DES DOMMAGES DIRECTS OU INDIRECTS, LES RESTRICTIONS CI-DESSOUS PEUVENT NE PAS ÊTRE APPLICABLES.

Cette garantie donne au consommateur des droits spécifiques, et celui-ci peut bénéficier d'autres droits, qui varient selon les états ou provinces.

Cette garantie couvre tous les produits d'extérieur RYOBI® fabriqués par Techtronic Industries North America, Inc., vendus aux États-Unis et au Canada.

Pour obtenir l'adresse du centre de réparations Ryobi agréé le plus proche, appeler le 1-800-860-4050.



# REGLAS DE SEGURIDAD GENERALES

## **ADVERTENCIA:**

Lea y comprenda todas las instrucciones. El incumplimiento de las instrucciones señaladas abajo puede causar descargas eléctricas, incendios y lesiones serias.

## LEA TODAS LAS INSTRUCCIONES

■ **Familiarícese con la herramienta.** Lea cuidadosamente el manual del operador. Aprenda los usos y limitaciones de la sierra, así como los posibles peligros específicos de esta herramienta.

■ **Puede ocurrir un contragolpe cuando la punta de la barra guía toca un objeto,** o cuando la madera entra y pellizca la cadena de la sierra en el punto de corte. En algunos casos, el contacto de la pieza de trabajo con la punta de la barra guía puede causar una reacción súbita en dirección inversa, la cual lanza la barra guía hacia arriba y hacia atrás, en la dirección donde se encuentra el operador. El pellizcamiento de la cadena de la sierra en el corte, a lo largo de la parte superior de la barra guía, puede causar un rápido empuje de dicha barra hacia atrás, en la dirección donde se encuentra el operador. Cualquiera de estas dos reacciones puede causar la pérdida de control de la sierra, lo cual a su vez puede producir lesiones corporales serias. No dependa exclusivamente de los dispositivos de seguridad incorporados en la sierra. Como usuario de una motosierra, debe tomar varias medidas para evitar accidentes y lesiones en todos sus trabajos de corte.

- Con un conocimiento básico del contragolpe de la sierra, puede reducir o incluso eliminar las sorpresas. La sorpresa súbita contribuye a los accidentes.
- Mantenga sujeta con firmeza la sierra con ambas manos cuando esté funcionando el motor. Coloque la mano derecha en el mango trasero y la izquierda en el mango delantero, rodeando ambos con los pulgares y los dedos restantes. Una sujeción firme con el brazo izquierdo rígido le ayuda a mantener el control de la sierra si ésta llega a dar un contragolpe.
- Asegúrese de que no haya obstrucciones en el área donde esté cortando. NO permita que la punta de la barra guía entre en contacto con ningún tronco, rama, cerca o cualquier otra obstrucción a la que le pueda pegar al estar operando la sierra.
- Corte a velocidades altas del motor. Siempre corte con el motor funcionando a plena velocidad. Oprima completamente el gatillo del acelerador y mantenga una velocidad de corte estable.

- No se estire ni corte arriba de la altura del pecho.
- Siga las instrucciones de afilado y mantenimiento del fabricante correspondientes a la cadena de la sierra.
- Sólo utilice barras y cadenas de repuesto especificadas por el fabricante, o su equivalente.
- **No maneje la motosierra con una sola mano.** Si se maneja con una sola mano la unidad, pueden resultar lesionados el operador, los ayudantes y demás personas presentes. La motosierra está hecha para ser manejada con las dos manos.
- **No maneje la motosierra cuando esté cansado.** La fatiga causa descuido. Nunca utilice la motosierra cuando esté cansado, enfermo, alterado o se encuentre bajo los efectos de alguna droga, alcohol o medicamento.
- **Permanezca alerta** - Preste atención a lo que esté haciendo y use el sentido común al utilizar la podadora de pasto. No utilice la podadora cuando está cansado, molesto o bajo la influencia de drogas, alcohol o medicamentos. Un momento de descuido al utilizar la podadora de pasto puede causar lesiones serias.
- **El trabajo con la motosierra puede ser agotador.** Si tiene algún problema médico que pueda agravarse o alguna discapacidad que pueda impedirle utilizar y controlar la motosierra de modo seguro, consulte a su médico antes de usarla.
- **Use calzado de seguridad.** Póngase ropa ajustada y guantes protectores, así como dispositivos de protección para los ojos, los oídos y la cabeza.
- **La ropa protectora pesada puede aumentar la fatiga del operador, lo cual puede originar un golpe de calor.** En climas cálidos y húmedos, el trabajo pesado debe programarse para las primeras horas de la mañana o las últimas horas de la tarde, cuando las temperaturas son más bajas.
- **No se pare sobre ninguna superficie inestable** mientras utiliza la motosierra, como las escaleras, andamios, árboles, etc.
- **Tenga precaución al manejar combustible.** Aleje la motosierra por lo menos 9 metros (30 pies) del lugar de reabastecimiento de combustible antes de arrancar el motor.
- **No permita que otras personas estén cerca de la motosierra al arrancar o accionar la misma para cortar.** Mantenga a los circunstantes y a los animales alejados del área de trabajo.
- **No comience a cortar hasta que tenga despejada el área de trabajo,** una postura firme y una trayectoria de retirada planeada de la caída del árbol.

## REGLAS DE SEGURIDAD GENERALES

- **Mantenga todas las partes del cuerpo alejadas de la cadena de la sierra** cuando esté funcionando el motor.
- **Siempre traslade la motosierra con el motor apagado y el freno puesto**, la barra guía y la cadena de la sierra hacia atrás y el silenciador alejado del cuerpo. Al transportar la motosierra, use la funda correspondiente de la barra guía.
- **No utilice la motosierra si está dañada**, mal ajustada o no está armada completamente y de forma segura. Asegúrese de que la cadena de la sierra deje de moverse cuando se suelte el gatillo de control del acelerador.
- **Apague el motor antes de poner en reposo la sierra.** No deje el motor funcionando desatendido. Como medida de precaución adicional, aplique el freno de la cadena antes de poner en reposo la sierra.
- **Tenga extrema precaución al cortar broza pequeña y árboles jóvenes**, ya que el material delgado puede atraparse en la cadena de la sierra y puede latigear hacia usted o desequilibrarlo.
- **Al cortar una rama que esté bajo tensión**, esté alerta al impulso de regreso de la misma, de manera que no le pegue cuando se libere la tensión presente en las fibras de la madera.
- **Mantenga los mangos secos**, limpios y sin aceite ni mezcla de combustible.
- **No haga arrancar o funcionar el motor en un espacio confinado, de edificio, cerca de ventana abiertas, o en otro área sin ventilación donde se puedan recolectar las emanaciones de monóxido de carbono. El monóxido de carbono, un gas incoloro, inodoro y sumamente peligroso, puede causar la pérdida de la conciencia o la muerte.**
- **No utilice la sierra subido en un árbol**, a menos que haya recibido capacitación específica para hacerlo.
- **No corte parado sobre una escalera, un tejado o una superficie inestable;** esto es muy peligroso.
- **Todas las tareas de servicio de la motosierra**, aparte de los puntos indicados en el manual de instrucciones y todo el mantenimiento, deben ser efectuadas por técnicos de servicio de motosierras competentes. (Por ejemplo, si se utilizan herramientas inadecuadas para desmontar el volante o para sostenerlo con el fin de retirar el embrague, puede causarse daño estructural al volante, lo cual a su vez puede originar el estallido del mismo.)
- **Siempre tenga un extintor de incendios** al usar una motosierra.
- **Sólo use las barras guía y las cadenas de contragolpe moderado de repuesto** especificadas para la sierra.
- **No adapte la cabeza motriz de la sierra a ningún arco de sierra de mano** ni la use para accionar ningún accesorio o dispositivo no especificado para la sierra.
- **La sierra de gasolina está clasificada por CSA Z62.1-15 como sierra de Clase 1C.** Es para uso infrecuente por propietarios de casas, quienes gustan de vacacionar en cabañas y excursionistas, así como para uso general como desmonte, poda, corte de leña, etc. No es para uso prolongado. Los períodos prolongados de manejo de la unidad pueden causar problemas circulatorios en las manos del operador debido a la vibración.
- **Guarde estas instrucciones.** Consúltelas con frecuencia y empléelas para instruir a otros usuarios. Si presta a alguien esta herramienta, facilítele también las instrucciones.

## REGLAS DE SEGURIDAD ESPECÍFICAS



### ADVERTENCIA:

Los avisos de advertencia, las etiquetas y las instrucciones encontrados en esta sección del manual del operador son para su propia seguridad. El incumplimiento de cualquiera de las instrucciones puede causar lesiones serias.

- **No corte enredaderas** ni broza pequeña [de menos de 76 mm (3 pulg.) de diámetro].
- **Las superficies del silenciador están muy calientes durante y después del funcionamiento**

**de la motosierra;** mantenga todas las partes del cuerpo alejadas de aquél. Puede causarse quemaduras serias si llega a tocar el silenciador.

- **Siempre sujete la sierra con ambas manos cuando esté funcionando el motor.** Sujete firmemente los mangos de la motosierra, rodeándolos con los pulgares y los dedos restantes.
- **Nunca permita utilizar la sierra a quien no haya recibido instrucciones adecuadas sobre la forma correcta de emplear la unidad.** Esto se aplica tanto a las sierras alquiladas como a las propias.

# REGLAS DE SEGURIDAD ESPECÍFICAS

- **Antes de arrancar el motor**, asegúrese de que no esté tocando ningún objeto la cadena de la sierra.
- **Póngase ropa ajustada.** Siempre póngase pantalones largos gruesos, botas y guantes. No se ponga joyas, pantalones cortos o sandalias, ni ande descalzo. No se ponga ropa holgada, ya que puede ser atraída hacia adentro del motor o puede quedar atrapada en la cadena o en la maleza misma. Póngase overoles, pantalones vaqueros o zahones (chaparreras) hechos de material resistente a los cortes o que contengan partes incorporadas de tal material. Recójase el cabello de manera que le quede arriba del nivel de los hombros.
- **Póngase calzado de seguridad antideslizante y guantes para trabajo pesado** con el fin de mejorar su capacidad de sujeción, y para protegerse las manos.
- **Al utilizar esta herramienta, póngase protección para los ojos con la marca de cumplimiento de la norma ANSI Z87.1, así como protección para los oídos y la cabeza.**
- **Mantenga a los circunstantes y a los animales alejados del área de trabajo.** No permita acercarse a otras personas al arrancar la motosierra o al cortar con la misma.  
**NOTA:** El tamaño del área de trabajo depende de la tarea, así como del tamaño del árbol o de la pieza de trabajo. Por ejemplo, talar un árbol requiere un área de trabajo más grande que otros tipos de cortes (como cortes de tronzado, etc.).
- **Mantenga la protección anticontraGolpe SAFE-T-TIP™ de la punta de la barra guía debidamente montada en ésta** para evitar un contraGolpe rotatorio.
- **Siga las instrucciones de afilado y mantenimiento** correspondientes a la cadena de la sierra.
- **Nunca utilice la motosierra si está dañada, mal ajustada o no está armada completamente y de manera que funcione de forma segura.** Asegúrese de que la cadena de la sierra deje de moverse cuando se suelte el gatillo de control del acelerador. Si la cadena se mueve estando el motor en marcha lenta, posiblemente necesita ajuste el carburador. Consulte el apartado **Ajuste del carburador** de la sección *Mantenimiento* de este manual. Si la cadena de la sierra aún se mueve al estar el motor en marcha lenta después de haberse efectuado un ajuste, lleve la unidad a un centro de servicio calificado y suspenda el uso de la misma hasta que se efectúe la reparación.
- **Este producto está diseñado para el uso poco frecuente por parte de propietarios y otros**

**usuarios ocasionales** para aplicaciones generales como limpieza, poda, corte de madera de leña, etc. No está diseñado para el uso prolongado. Los períodos prolongados de funcionamiento de la unidad pueden causar problemas circulatorios en las manos del operador debido a la vibración. Para tal uso puede convenir utilizar un producto con características de antivibración.

## REABASTECIMIENTO DE COMBUSTIBLE (¡NO FUME!)

- **Para reducir el riesgo de incendio o de lesiones por quemadura**, maneje con cuidado el combustible. Es sumamente inflamable.
- **Mezcle y guarde el combustible** en un recipiente aprobado para gasolina.
- **Mezcle el combustible al aire libre**, donde no haya chispas ni llamas.
- **Busque suelo raso para depositar la unidad, apague el motor y permita que se enfríe** antes de reabastecerlo de combustible.
- **Afloje lentamente la tapa del tanque de combustible** para aliviar la presión y para evitar que se escape combustible por la tapa.
- **Después de reabastecer de combustible la unidad** ponga la tapa y apriétela firmemente.
- **Limpie todo el combustible que se haya derramado de la unidad.** Aléjese por lo menos 9 metros (30 pies) del sitio de reabastecimiento de combustible antes de encender el motor.
- **Nunca intente eliminar el combustible derramado quemándolo** en ninguna circunstancia.




## CONTRAGOLPE

- **El contraGolpe es una reacción peligrosa que puede ocasionar lesiones serias.** No dependa únicamente de los dispositivos de seguridad suministrados con la sierra. Como usuario de una motosierra, debe tomar medidas de precaución especiales para evitar accidentes y lesiones en todos sus trabajos de corte. Vea las secciones *Reglas de seguridad generales* y *Funcionamiento* de este manual, donde encontrará información sobre el contraGolpe y sobre la forma de evitar lesiones corporales serias.
- **PRECAUCIÓN:** El usuario no usará una cadena de repuesto para sierra a menos se haya declarado que ésta cumple con los requisitos de desempeño de contraGolpe en ANSI/OPEI B175.1-2012 sobre ese cabezal motor en especial, o se haya declarado como cadena de repuesto para sierra de contraGolpe moderado según ANSI/OPEI B175.1-2012.








**GUARDE ESTAS INSTRUCCIONES**

# SÍMBOLOS

Las siguientes palabras de señalización y sus significados tienen el objeto de explicar los niveles de riesgo relacionados con este producto.









SÍMBOLO	SEÑAL	SIGNIFICADO
	<b>PELIGRO:</b>	Indica una situación peligrosa inminente, la cual, si no se evita, causará la muerte o lesiones serias.
	<b>ADVERTENCIA:</b>	Indica una situación peligrosa posible, la cual, si no se evita, podría causar la muerte o lesiones serias.
	<b>PRECAUCIÓN:</b>	Indica una situación peligrosa posible, la cual, si no se evita, podría causar lesiones menores o leves.
	<b>AVISO:</b>	(Sin el símbolo de alerta de seguridad) Indica la información que se considera importante, pero no relacionada con lesiones potenciales (por ej. en relación a daños a la propiedad).

Es posible que se empleen en este producto algunos de los siguientes símbolos. Le suplicamos estudiarlos y aprender su significado. Una correcta interpretación de estos símbolos le permitirá utilizar mejor y de manera más segura la producto.

SÍMBOLO	NOMBRE	DENOMINACIÓN / EXPLICACIÓN
	Alerta de seguridad	Indica un peligro posible de lesiones personales.
	Lea el manual del operador	Para reducir el riesgo de lesiones, el usuario debe leer y comprender el manual del operador antes de usar este producto.
	Póngase protección para los ojos, los oídos y la cabeza	Al utilizar este equipo, póngase protección para los ojos con protección lateral con la marca de cumplimiento de la norma ANSI Z87.1, así como protección para los oídos y la cabeza.
	Evite las cables eléctricos/Mantenga alejadas a las personas presentes	¡PELIGRO! ¡Riesgo de electrocución! No trabaje a menos de 15 m (50 pies) de cables eléctricos. Durante las operaciones de tala de árboles, mantenga a todos los circunstantes y animales a una distancia mínima de 15 metros (50 pies) o lo menos el doble de la altura de los árboles más altos presentes en el área de la tala.
	Protección SAFE-T-TIP™ de la punta	La protección SAFE-T-TIP™ de la punta de la barra guía ayuda a evitar un contragolpe de la sierra.
	Use las dos manos	Sujete y opere la sierra debidamente con ambas manos.
	Con una mano	No maneje la motosierra con una sola mano.

# SÍMBOLOS

Es posible que se empleen en este producto algunos de los siguientes símbolos. Le suplicamos estudiarlos y aprender su significado. Una correcta interpretación de estos símbolos le permitirá utilizar mejor y de manera más segura la producto.

SÍMBOLO	NOMBRE	DENOMINACIÓN / EXPLICACIÓN
	Contacto de la punta de la barra con el material	Evite el contacto del material con la punta de la barra.
	ContraGolpe	¡Peligro! Esté alerta de un posible contraGolpe.
	Póngase guantes	Al manejar la motosierra póngase guantes protectores antideslizantes de uso pesado.
	Póngase calzado de seguridad	Cuando utilice este equipo póngase zapatos de seguridad antideslizantes.
	Se prohíbe fumar	Se prohíbe fumar, causar chispas y tener llamas abiertas.
	Monóxido de carbono	Los motores generan monóxido de carbono, el cual es un gas inodoro tóxico y mortal. No los ponga a funcionar en espacios encerrados.
	Mantenga alejadas a las personas presentes	Mantenga a todos los circunstantes y animales a una distancia mínima de 15 metros (50 pies).
	Gasolina y lubricante	Use gasolina sin plomo para vehículos con un octanaje mínimo de 87 [(R + M)/2]. Este producto está impulsado por un motor de dos tiempos y utiliza una mezcla de gasolina y lubricante para motor de dos tiempos.

# GLOSARIO DE TÉRMINOS

## **Sistema aplicador de aceite automático**

La lubricación es suministrada por el sistema de aplicador de aceite automático. La rueda dentada impulsa al aplicador de aceite y agrega lubricación solo cuando se mueve la cadena.

## **Tronzado**

Es el proceso de cortar transversalmente un árbol o tronco talado en tramos.

## **Freno de la cadena**

Es un dispositivo empleado para detener la cadena de la sierra.

## **Cabeza motriz de la motosierra**

Es la motosierra sin la cadena de aserrar ni la barra guía.

## **Embrague**

Es un mecanismo para conectar y desconectar del mecanismo impulsor el mecanismo impulsado.

## **Rueda dentada de impulsión**

Es la pieza dentada que impulsa la cadena de la sierra.

## **Tala**

Es el proceso de cortar un árbol para derribarlo.

## **Corte trasero de tala**

Es el corte final de la operación de tala de un árbol, el cual se efectúa en el lado opuesto al del corte de muescado.

## **Mango delantero**

Es el mango de soporte situado en la parte frontal de la motosierra, o en esa dirección. Este mango es para la mano izquierda.

## **Protección del mango delantero**

Es una barrera protectora estructural situada entre el mango delantero de una motosierra y la barra guía, normalmente localizada cerca de la posición de la mano en el mango delantero, y algunas veces se emplea como palanca de activación del freno de la cadena.

## **Barra guía**

Es una estructura sólida con un riel, la cual sirve para sostener y guiar la cadena de la sierra.

## **Contragolpe**

Es el movimiento de la barra guía hacia atrás o hacia arriba, o ambos, el cual ocurre cuando la cadena de aserrar, cerca de la parte superior de la punta de la barra guía, toca cualquier objeto como un tronco o rama, o cuando la madera se cierra y pellizca la cadena en la abertura del corte.

## **Contragolpe por pellizco**

Es el rápido empuje de la sierra hacia atrás, el cual puede ocurrir cuando la madera se cierra y pellizca la cadena en movimiento en el corte a lo largo de la parte superior de la barra guía.

## **Contragolpe rotatorio**

Es el movimiento rápido de la sierra hacia arriba y hacia atrás, el cual puede ocurrir cuando la cadena en movimiento, cerca de la parte superior de la punta de la barra guía, toca un objeto como un tronco o una rama.

## **Cadena de contragolpe moderado**

Una cadena de sierra de contragolpe moderado es una cadena que cumple con los requisitos de ANSI/OPEI B175.1-2012 cuando se la prueba según las provisiones especificadas en ANSI/OPEI B175.1-2012.

## **Posición normal de corte**

Son aquellas posiciones adoptadas para efectuar los cortes de tronzado y de tala de árboles.

## **Corte de muescado**

Es un corte en forma de muesca efectuado para dirigir la caída del árbol.

## **Mango trasero**

Es el mango de soporte situado en la parte trasera de la motosierra, o en esa dirección. Es donde normalmente está alojado el acelerador. Este mango es para la mano derecha.

## **Barra guía de contragolpe reducido**

Es una barra guía la cual se ha demostrado que reduce el contragolpe de manera notable.

## **Cadena de repuesto de la sierra**

Es una cadena que cumple con los requisitos relativos al nivel de contragolpe estipulados en la norma ANSI B175.1 al probarse con ciertas sierras de cadena en particular.

## **Protección anti-contragolpe SAFE-T-TIP™ de la punta**

Es un accesorio que puede suministrarse montado en el extremo de la barra guía, y cuyo objetivo es evitar que la cadena toque la madera en el extremo de la barra guía.

## **Cadena de aserrado**

Es una cadena en forma de collar, con dientes de corte para cortar madera, la cual es impulsada por un rueda dentada y está soportada por la barra guía.

## **Pértiga**

Es un árbol pequeño (un árbol joven) o rama que está doblado o atrapado bajo tensión. Puede saltar hacia atrás rápidamente al cortarse, causando así una situación peligrosa.



# CARACTERÍSTICAS

## ESPECIFICACIONES DEL PRODUCTO

Longitud de la barra: ..... 50 cm (20 pulg.)  
Paso de la cadena..... 8,3 mm (0,325 pulg.)  
Calibre de la cadena..... 1,27 mm (0,050 pulg.)  
Tipo de cadena..... Estándar  
Eslabones de impulsión de la cadena..... 78  
Rueda dentada de impulsión ..... De 7 dientes  
Cilindrada del motor ..... 50 cc

Marcha lenta  
del motor ..... De 2 600-3 400 r/min (RPM)  
Capacidad del tanque  
de combustible.....575 ml (19,4 oz.)  
Capacidad del tanque  
de aceite de la cadena .....350 ml (11,8 oz.)  
Peso - Sin barra, cadena,  
combustible ni lubricante ..... 5,0 kg (11 lb.)

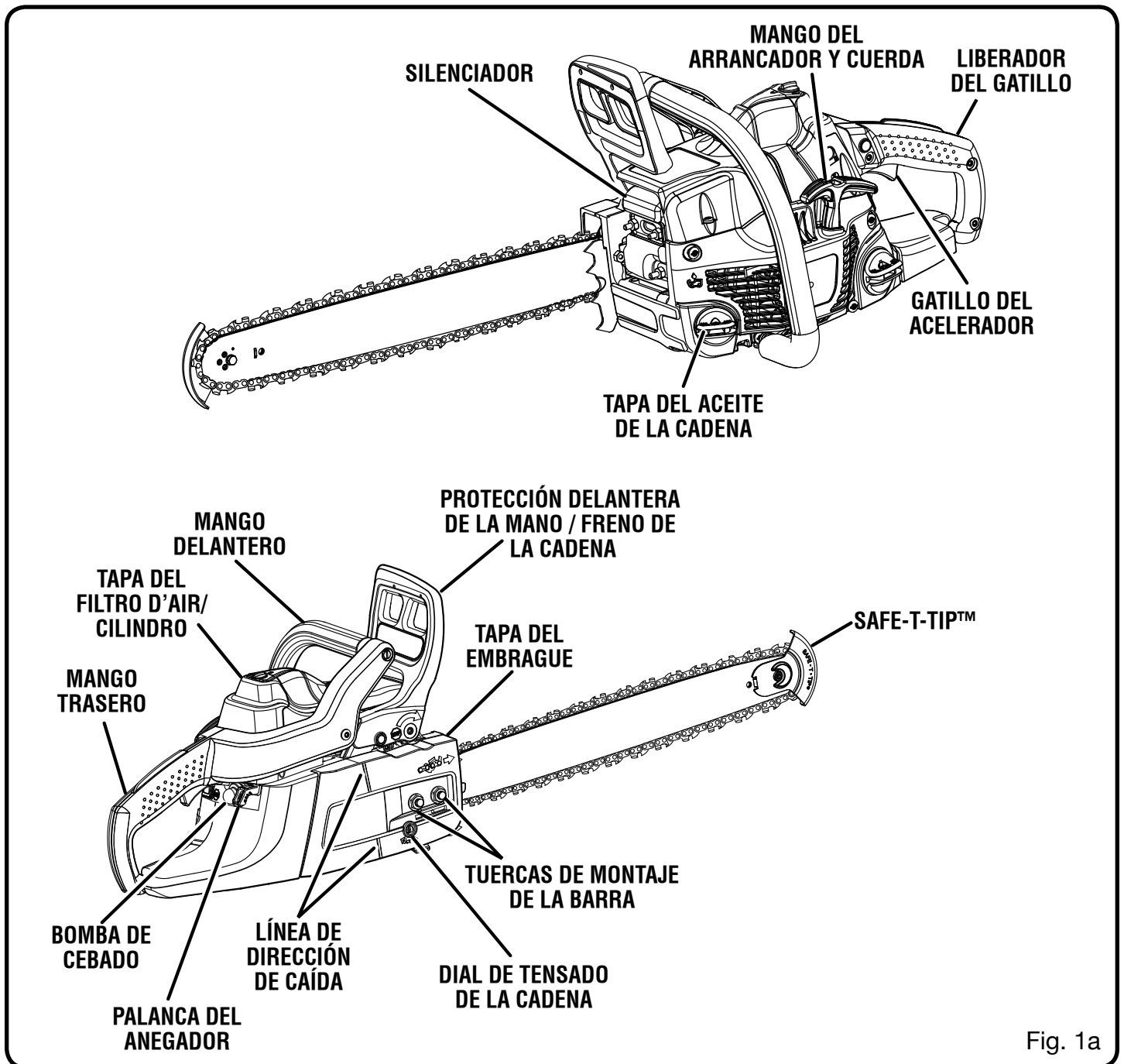
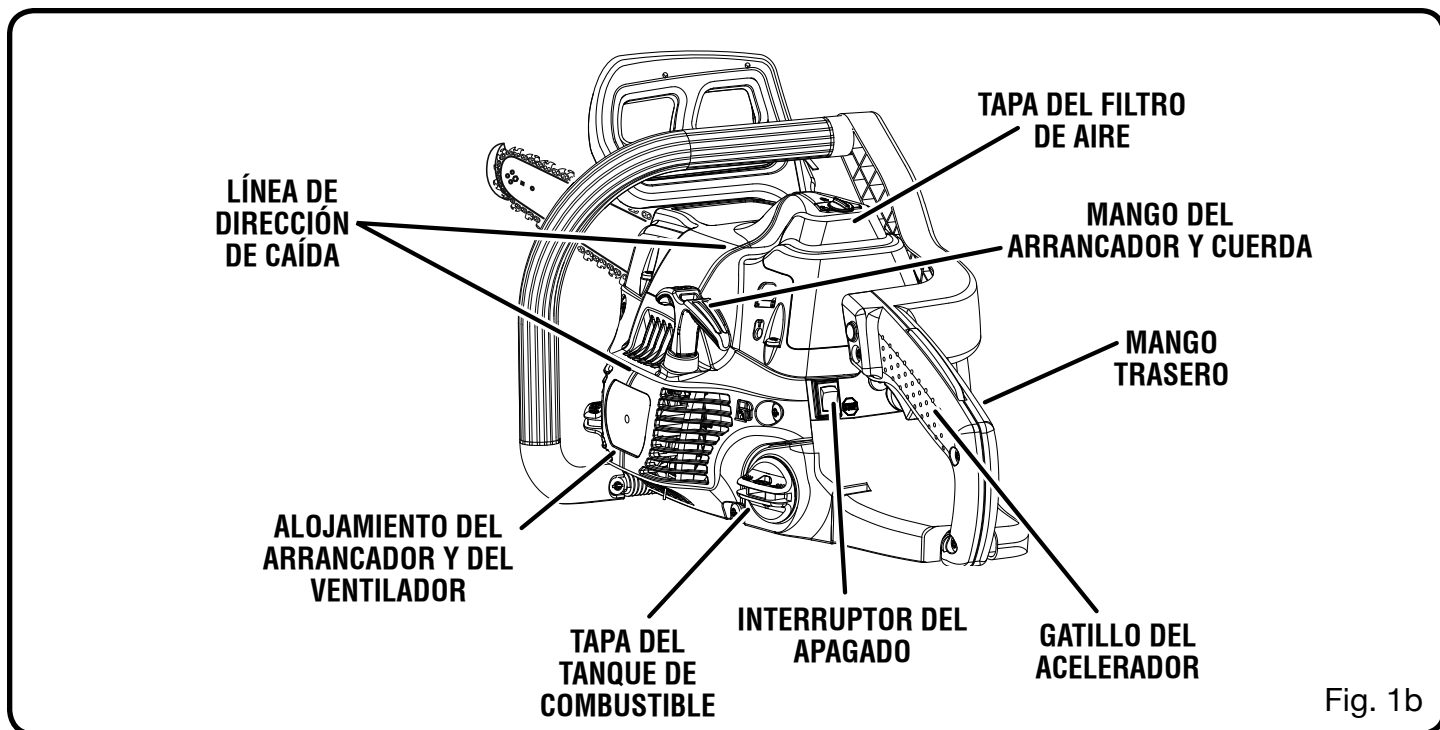


Fig. 1a

# CARACTERÍSTICAS



## FAMILIARÍCESE CON LA MOTOSIERRA

*Vea las figuras 1a y 1b.*

Para usar este producto con la debida seguridad se debe comprender la información indicada en la producto misma y en este manual, y se debe comprender también el trabajo que intenta realizar. Antes de usar este producto, familiarícese con todas las características de funcionamiento y normas de seguridad del mismo.

## PALANCA DEL ANEGADOR

La palanca del anegador abre y cierra la válvula de anegación situada dentro del carburador. Las posiciones posibles son: ANEGACIÓN MÁXIMA y FUNCIONAMIENTO.

## LÍNEA DE DIRECCIÓN DE CAÍDA

La línea de dirección de caída lo ayuda a mantener la sierra alineada correctamente durante la tala.

## PROTECCIÓN DELANTERA DE LA MANO/FRENO DE LA CADENA

El freno de la cadena tiene el objeto de detener con rapidez el desplazamiento de la cadena. Cuando la palanca del freno de la cadena (la protección de la mano) se empuja hacia la barra, la cadena se detiene de inmediato. El freno de la cadena no evita contragolpes.

## BARRA GUÍA

La barra guía instalada en la fábrica dispone de una punta de radio pequeño, la cual ofrece una capacidad de disminución del contragolpe un poco menor.

## CADENA DE SIERRA DE CONTRAGOLPE MODERADO

La cadena de contragolpe moderado de la sierra reduce al mínimo la fuerza de la reacción de contragolpe al evitar que los dientes de corte se introduzcan demasiado profundamente en la zona de contragolpe.

## BOMBA DE CEBADO

La bomba de cebado sirve para bombear combustible del tanque al carburador.

## PROTECCIÓN ANTICONTRAGOLPE SAFE-T-TIP™ DE LA PUNTA

La punta anticontragolpe SAFE-T-TIP™ de la punta es un aditamento montado en el extremo de la barra guía cuyo objeto es evitar que la parte de la cadena situada en el extremo de la barra guía toque la madera.

## GATILLO DEL ACELERADOR

El gatillo del acelerador sirve para controlar la rapidez de desplazamiento de la cadena.

# ARMADO

## DESEMPAQUETADO

Embarcamos este producto completamente armado.

- Extraiga cuidadosamente de la caja la producto y los accesorios. Asegúrese de que estén presentes todos los artículos enumerados en la lista de empaque.

### **ADVERTENCIA:**

No use este producto si no está totalmente ensamblado o si alguna pieza falta o está dañada. Si utiliza un producto que no se encuentra ensamblado de forma correcta y completa, puede sufrir lesiones graves.

- Inspeccione cuidadosamente la producto para asegurarse de que no haya sufrido ninguna rotura o daño durante el transporte.
- No deseche el material de empaque hasta que haya inspeccionado cuidadosamente la producto y la haya utilizado satisfactoriamente.
- Si hay piezas dañadas o faltantes, le suplicamos llamar al 1-800-860-4050, donde le brindaremos asistencia.

## LISTA DE EMPAQUETADO

Motosierra  
Funda

## LISTA DE EMPAQUETADO (*continuado*)

Llave de combinación  
Lubricante para motor de dos tiempos  
Estuche de traslado  
Manual del operador

### **ADVERTENCIA:**

Si falta o está dañada alguna pieza, no utilice este producto sin haber reemplazado la pieza. Usar este producto con partes dañadas o faltantes puede causar lesiones serias al operador.

### **ADVERTENCIA:**

No intente modificar este producto ni hacer accesorios no recomendados para la misma. Cualquier alteración o modificación constituye maltrato el cual puede causar una condición peligrosa, y como consecuencia posibles lesiones corporales serias.

**NOTA:** La motosierra ha sido probada completamente en la fábrica. Es normal encontrar algún leve residuo de aceite en la sierra. Lea y desprenda todas las etiquetas colgadas y guárdelas con el manual del operador.

# FUNCIONAMIENTO

### **PELIGRO:**

Nunca couper cerca de líneas de corriente, cordón eléctrico o de otras fuentes eléctricas. Si mermeladas de barra y cadena en alguna cordón del eléctrica o líneas, ¡NO TOQUE LA BARRA NI LA CADENA! PUEDE CARGARSE DE ELECTRICIDAD Y SER MUY PELIGROSA. Continúe sujetando la motosierra por el mango trasero, el cual está aislado, o déjela reposar lejos de usted, de alguna forma segura. Desconecte el servicio de corriente eléctrica conectado a la línea o cordón dañado antes de intentar liberar de éste(a) la hoja. Contacte con la barra, la cadena, otras partes conductivas de la motosierra, o viven cordón eléctrico o líneas eléctricas puede producir la muerte por electrocución, una descarga eléctrica o lesiones serias.

# FUNCIONAMIENTO

## **⚠️ ADVERTENCIA:**

No permita que su familiarización con este producto lo vuelva descuidado. Tenga presente que un descuido de un instante es suficiente para causar una lesión grave.

## **⚠️ ADVERTENCIA:**

Las superficies del silenciador alcanzan temperaturas muy elevadas tanto durante como después de accionar la motosierra; mantenga todas las partes del cuerpo alejadas del silenciador. Se pueden ocasionar quemaduras graves de entrar en contacto con el silenciador.

## **⚠️ ADVERTENCIA:**

Siempre póngase protección ocular con la marca de cumplimiento de la norma ANSI Z87.1 junto con protección para los oídos y la cabeza. La inobservancia de esta advertencia puede permitir que los objetos lanzados hacia los ojos y otros provoque lesiones graves.

## **⚠️ ADVERTENCIA:**

No utilice ningún aditamento o accesorio no recomendado por el fabricante de este producto. El empleo de aditamentos o accesorios no recomendados podría causar lesiones serias.

## **⚠️ ADVERTENCIA:**

Este producto cuenta con un parachispas que ha sido evaluado por el Servicio Forestal del Departamento de Agricultura de EE. UU., sin embargo los usuarios del producto deben cumplir con los reglamentos de prevención de incendios locales, estatales y federales. Consulte a las autoridades que correspondan. Póngase en contacto con el servicio al cliente o un centro de servicio calificado para comprar un parachispas de repuesto.

## **⚠️ ADVERTENCIA:**

Nunca tale un árbol o corte un tronco o una rama cuyo diámetro sea mayor que la longitud de la barra. Únicamente profesionales debidamente capacitados deben realizar estos cortes. Realizar este tipo de cortes puede provocar accidentes y ocasionar graves lesiones personales.

## **AVISO:**

Antes de cada uso, inspeccione todo el producto para detectar partes dañadas, faltantes o sueltas, como tornillos, tuercas, pernos, tapas, etc. Apriete firmemente todos los sujetadores y las tapas y no accione este producto hasta que todas las partes faltantes o dañadas sean reemplazadas. Llame al contacto con el servicio al cliente o con un centro de servicio calificado para recibir asistencia.

## **APLICACIONES**

Este producto puede emplearse para los fines enumerados abajo:

- Operaciones básicas de desramado, tala y tronzado

## **COMBUSTIBLE Y REABASTECIMIENTO DEL MISMO**

### **FORMA SEGURA DE MANEJAR EL COMBUSTIBLE**

## **⚠️ ADVERTENCIA:**

Revise la herramienta para ver si tiene fugas de combustible. Una tapa del tanque de combustible con fugas constituye un riesgo de incendio y debe reemplazarse inmediatamente. Si encuentra fugas, corrija el problema antes de utilizar la herramienta. De lo contrario puede producirse un incendio, con el consiguiente riesgo de lesiones serias.

# FUNCIONAMIENTO

- Siempre maneje con cuidado el combustible, ya que es sumamente inflamable.
- Siempre reabastezca la unidad al aire libre y no inhale los vapores del combustible.
- No permita que la gasolina ni el lubricante le toquen la piel.
- Mantenga la gasolina y el lubricante lejos de los ojos. Si la gasolina o el lubricante le tocan los ojos, láveselos de inmediato con agua limpia. Si persiste la irritación, vea a un doctor de inmediato.
- Limpie de inmediato todo combustible derramado.

Consulte el apartado **Reabastecimiento de combustible** de la sección *Reglas de seguridad específicas* de este manual, donde encontrará información de seguridad adicional.

## COMBUSTIBLES MEZCLADOS CON ETANOL

### AVISO:

**No utilice combustibles E15 o E85 con este producto. Esto constituye una violación a la ley federal, dañará la unidad y anulará la garantía. Utilice únicamente gasolina sin plomo que contiene hasta 10% de etanol.**

**NOTA:** Para mejorar el rendimiento cuando utilice combustibles mezclados con etanol, le recomendamos el lubricante de pantalla para etanol de 2 tiempos.

## MEZCLADO DEL COMBUSTIBLE

Este producto está accionado por un motor de 2 tiempos y requiere el premezclado de gasolina y lubricante para motor de dos tiempos. Mezcle previamente gasolina sin plomo y lubricante para motores de 2 tiempos en un recipiente y de uso aprobado para gasolina. NO mezcle más producto del que pueda utilizar en un período de 30 días.

Combustible recomendado: El motor está certificado para funcionar con gasolina sin plomo destinada para uso automotor.

**NOTA:** Le recomendamos que utilice el lubricante Ethanol Shield de primera calidad para motores de 2 tiempos o cualquier lubricante sintético de alta calidad para motores de 2 tiempos en este producto. Mezcle a razón de 76 ml (2.6 oz.) por galón (EE. UU.).

No use lubricante de uso automotor ni lubricante para motores fuera de borda de 2 tiempos.

### LUBRICANTE DE ALTA CALIDAD PARA MOTOR DE DOS TIEMPOS



#### GASOLINA

#### LUBRICANTE

3,8 litro [1,0 galón (US)]	76 ml (2,6 onzas)
9,5 litro [2,5 galón (US)]	189 ml (6,4 onzas)

## LLENADO DEL TANQUE

Vea la figura 2.



### ADVERTENCIA:

La gasolina y sus vapores son altamente inflamables y explosivos. Maneje con cuidado el producto para evitar lesiones personales graves y daños a la propiedad. Manténgalo alejado de fuentes de ignición y llamas abiertas, utilícelo al aire libre únicamente, no fume y limpie los derrames inmediatamente.

- Limpie la superficie situada alrededor de la tapa del combustible para evitar la contaminación del mismo.
- Afloje lentamente la tapa del tanque de combustible, girando en sentido contrario a las agujas del reloj.
- Cuidadosamente vierta en el tanque la mezcla de combustible. Evite los derrames.
- Antes de volver a colocar la tapa del tanque de combustible, limpie e inspeccione la junta.
- Vuelva a colocar inmediatamente la tapa del tanque de combustible y apriételo con la mano girando en el sentido de las agujas del reloj. Limpie todo derrame de combustible.
- Aléjese al menos 9 m (30 pies) del sitio de carga de combustible antes de poner en marcha el producto.

# FUNCIONAMIENTO

**NOTA:** Es normal la emisión de humo en los motores nuevos durante y después de la primera vez que se usan.

## **⚠ ADVERTENCIA:**

Apague siempre el motor antes de reabastecer combustible. Nunca retire la tapa de combustible ni agregue combustible a una máquina mientras el motor esté en funcionamiento o caliente. Asegúrese de que la unidad esté apoyada en una superficie horizontal y nivelada, y solo agregue combustible al aire libre. Si el motor está caliente, deje que el unidad se enfríe durante al menos cinco minutos antes de reabastecer. Vuelva a colocar inmediatamente la tapa del tanque después de reabastecer y apriétela firmemente. Aléjese al menos 9 metros (30 pies) del sitio de carga de combustible antes de poner en marcha el motor. No fume y permanezca lejos de llamas abiertas y chispas! La inobservancia de estas instrucciones podrían provocar un incendio y lesiones personales graves.

## **ABASTECIMIENTO DE LUBRICANTE PARA LA BARRA Y LA CADENA**

Vea la figura 3.

Utilice una barra y lubricante de cadena formulado para lubricar cadenas de motosierras. Están formulados para prolongar la duración de la barra y la cadena, protegiéndolos contra el desgaste y reduciendo la fricción y el calor. La motosierra debe gastar aproximadamente un tanque de lubricante por cada tanque de combustible.

**NOTA:** No use lubricante sucio, usado o contaminado de ninguna forma. Puede dañarse la bomba de aceite, la barra o la cadena.

- Cuidadosamente vierta el lubricante para la barra y la cadena en el tanque correspondiente.
- Llene el tanque de aceite cada vez que reabastezca de combustible el motor.

## **FUNCIONAMIENTO DEL FRENO DE LA CADENA**

Vea las figuras 4 y 5.

Verifique las condiciones de funcionamiento del freno de la cadena cada vez antes de usar la unidad.

- Accione el freno de la cadena rotando su mano izquierda alrededor del mango frontal, de manera

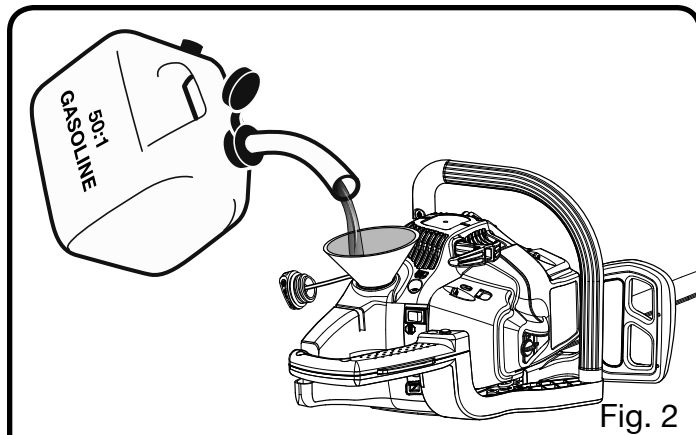


Fig. 2

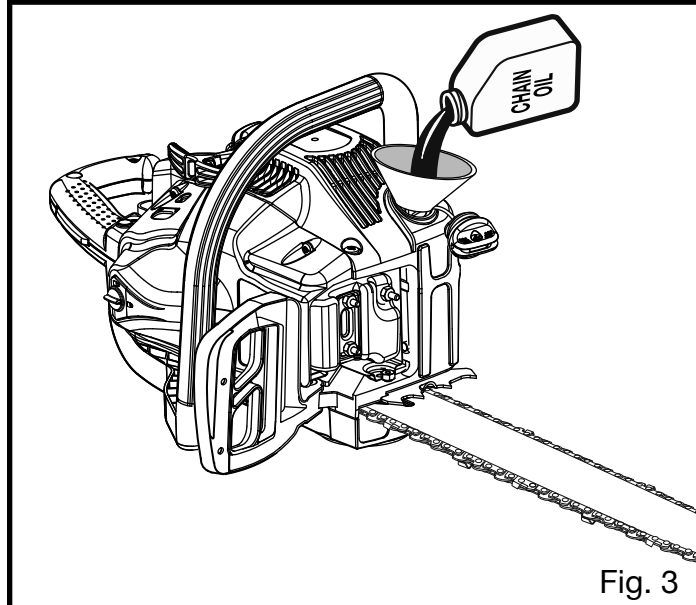


Fig. 3

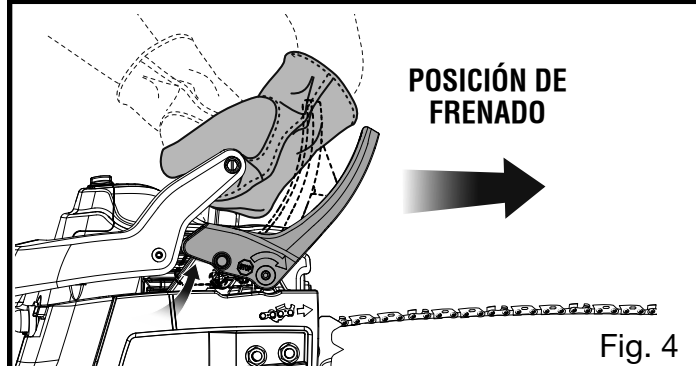


Fig. 4

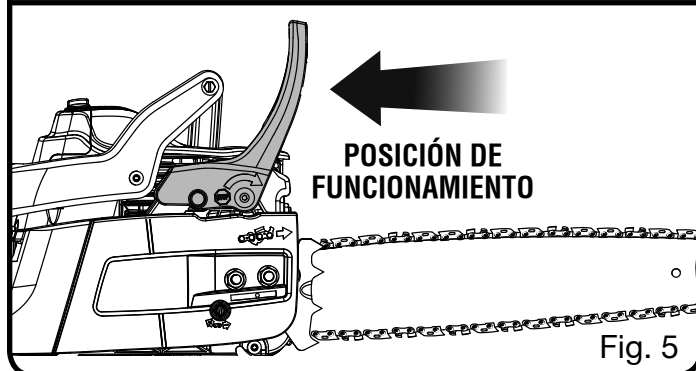


Fig. 5

# FUNCIONAMIENTO

tal que permita que la parte posterior de la mano empuje la palanca del freno de la cadena o la protección de la mano hacia la barra mientras la cadena gira rápidamente. Asegúrese de mantener en todo momento las manos en los mangos de la sierra.

- Vuelva a poner el freno de la cadena en la **POSICIÓN DE FUNCIONAMIENTO**; para ello sujete la parte superior de la palanca (la protección de la mano) de dicho freno y tire de la misma hacia el mango delantero hasta que se oiga un chasquido.

## ⚠ **ADVERTENCIA:**

Si el freno no detiene la cadena de inmediato, o si el mismo no permanece en la posición de funcionamiento sin asistencia, lleve la sierra a un centro de servicio autorizado para su reparación antes de volver a usarla.

## **AVISO:**

Antes de cada uso, asegúrese de que la cadena esté tensionada correctamente. Una cadena fría está tensionada correctamente cuando no hay flacidez en la parte inferior de la barra guía, la cadena está ajustada y puede girarse con la mano sin amarrar. Durante el uso normal de la sierra, la temperatura de la cadena aumenta. Los eslabones motrices de una cadena caliente correctamente tensionada colgarán aproximadamente 1,27 mm (0,05 pulg.) por fuera de la ranura de la barra.

Consulte las instrucciones de **Ajuste de la tensión de la cadena** en la sección de *Mantenimiento* de este manual para ajustarla adecuadamente.

## **ARRANQUE DEL MOTOR**

Vea las figuras 6 a 10.

El arranque de la herramienta difiere según si el motor está frío o caliente.

## ⚠ **ADVERTENCIA:**

Mantenga el cuerpo a la izquierda del plano de la cadena. Nunca se coloque a horcajadas por encima de la sierra o de la cadena, ni incline el cuerpo a través del plano de la cadena.

- Coloque la motosierra en suelo nivelado, y asegúrese de que no haya objetos ni obstrucciones

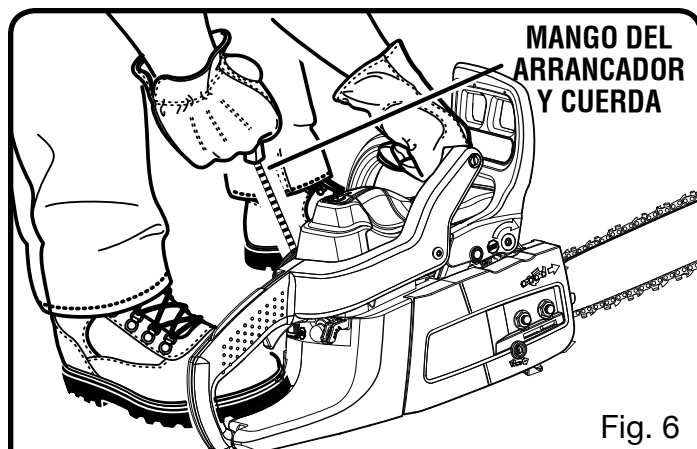


Fig. 6

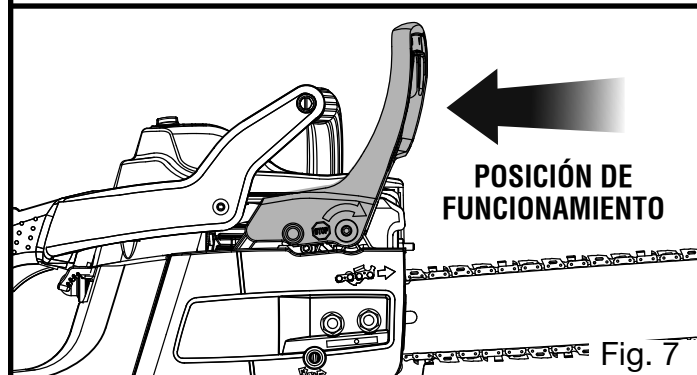


Fig. 7

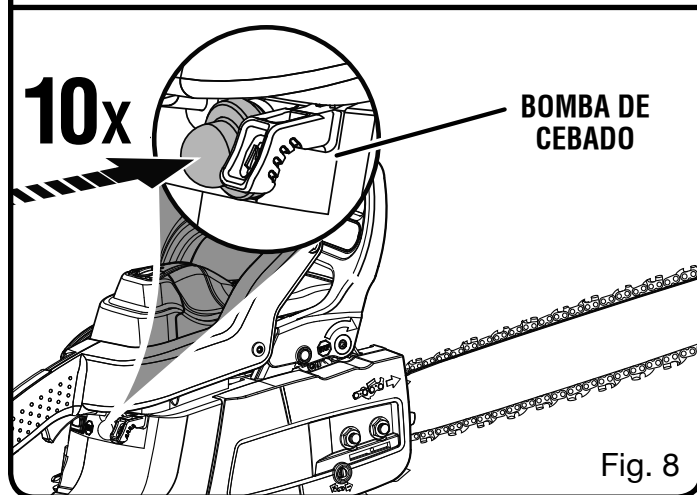


Fig. 8

en la cercanía inmediata que puedan tocar la barra y la cadena.

- Sostenga firmemente el mango delantero con la mano izquierda y coloque el pie derecho en la base del mango trasero.

### **Para arrancar con el motor frío:**

- Asegúrese de que el freno de la cadena esté en la posición de funcionamiento; para ello, tire de la palanca (la protección de la mano) hacia atrás.
- Oprima hasta el fondo y suelte la bomba de cebado diez veces.

# FUNCIONAMIENTO

- Tire de la palanca del anegador del carburador completamente hacia afuera, a la posición de **ANEGACIÓN MÁXIMA**.
  - Cuando la temperatura esté arriba de 10 °C (50 °F), tire del mango del arrancador y cuerda hasta que el motor intente arrancar, pero no más de tres veces. Cuando la temperatura esté abajo de 10 °C (50 °F), tire del mango del arrancador hasta que el motor intente arrancar, pero no más de cinco veces.
  - Empuje la palanca del anegador a la posición de **FUNCIONAMIENTO**.
  - Tire del mango del arrancador y cuerda hasta que empiece a funcionar el motor.
- NOTA:** Permita que la sierra funcione en esta posición de 15 a 30 segundos, según sea la temperatura.
- Presione el liberador del gatillo y oprima y suelte el gatillo del acelerador para permitir que vuelva a funcionar en marcha lenta el motor después de un tiempo total de funcionamiento de 30 segundos por lo menos.

## AVISO:

Si no se suelta la aceleración parcial cuando la palanca del freno de la cadena está en la posición de frenado, puede resultar seriamente dañada la unidad. Nunca oprima sin dejar de soltar el gatillo del acelerador mientras el freno de la cadena esté en la posición de frenado.

## Para arrancar con el motor caliente:

- Asegúrese de que el freno de la cadena esté en la posición de funcionamiento; para ello, tire de la palanca (la protección de la mano) hacia atrás.
- Tire de la palanca del anegador hacia fuera, a la posición **ANEGACIÓN MÁXIMA** e inmediatamente después, empújela a la posición **FUNCIONAMIENTO** para un arranque en frío.
- Tire del mango del arrancador y cuerda hasta que empiece a funcionar el motor, pero no lo haga más de 5 veces. Si el motor no arranca luego de 5 intentos, recurra al procedimiento de arranque con el motor frío.
- Oprima y suelte el gatillo del acelerador para permitir que vuelva a funcionar en marcha lenta el motor.

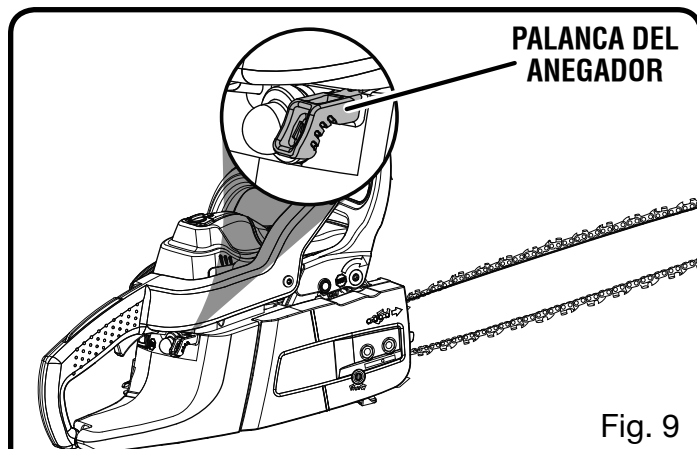


Fig. 9

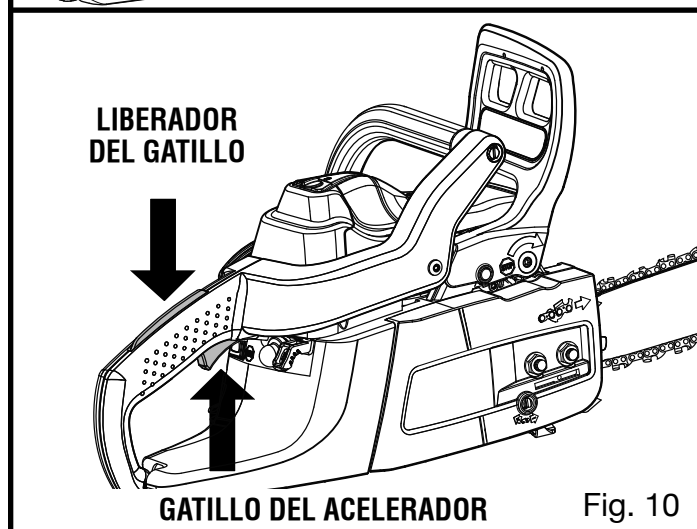


Fig. 10

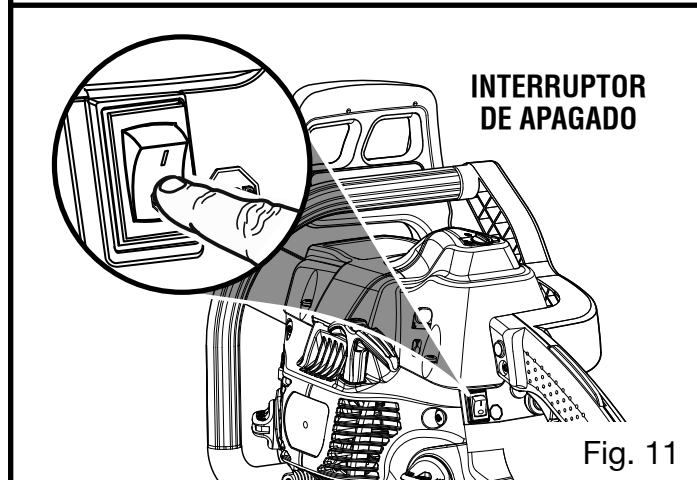


Fig. 11

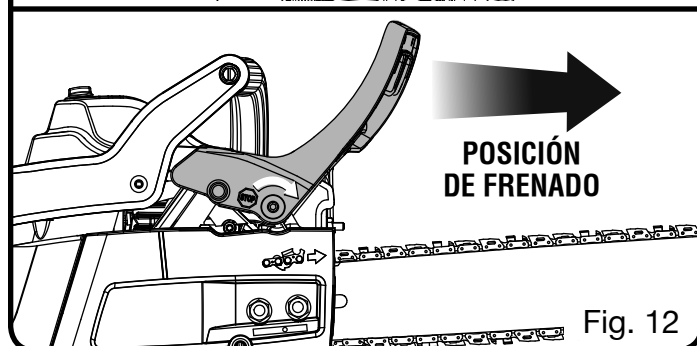


Fig. 12



# FUNCIONAMIENTO

## APAGADO DEL MOTOR

Vea las figuras 11 y 12.

Suelte el gatillo del acelerador y permita que el motor funcione en marcha lenta. Para apagar el motor, presione el interruptor apagado. No deposite la sierra en el suelo mientras aún esté moviéndose la cadena. Para tener un grado adicional de seguridad, ponga el freno de la cadena cuando no esté usándose la sierra.

En el caso de que el interruptor de apagado no detenga la cadena, tire de la palanca del anegador completamente a la posición extendida (**ANEGACIÓN MÁXIMA**) y accione el freno de la cadena para apagar el motor. Si el interruptor del apagado no detiene la sierra estando puesto en la posición de apagado, permita que reparen el interruptor de apagado antes de usar nuevamente la motosierra para evitar condiciones inseguras y posibles lesiones serias.

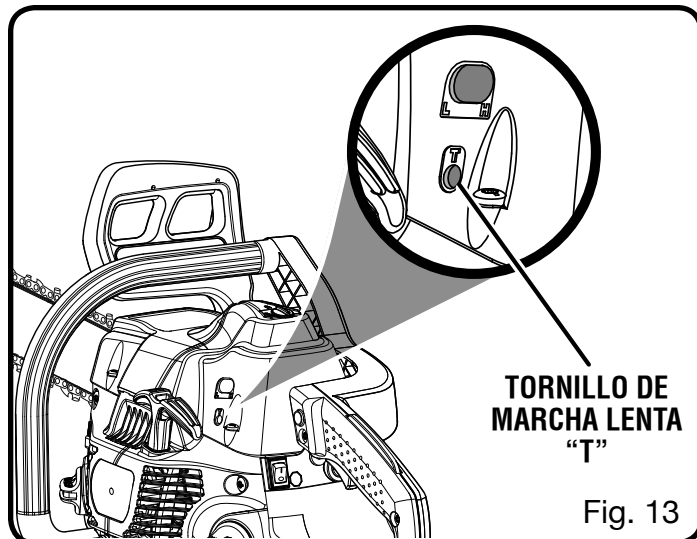
**NOTA:** Una vez que termine de utilizar la sierra, siempre alivie la presión de los tanques; para ello, afloje y vuelva a apretar la tapa del aceite de la cadena y la de la mezcla de combustible. Deje enfriar el motor antes de guardar la unidad.

## AJUSTE DE LA MARCHA LENTA

Vea la figura 13.

### **⚠ ADVERTENCIA:**

La cadena se moverá alrededor de la barra guía cuando se ajuste la velocidad de marcha lenta. Utilice todas las prendas de protección y no permita la presencia de personas ajenas a la operación, niños ni mascotas a menos de 15 metros (50 pies) de distancia. Efectúe los ajustes con la unidad apoyada sobre una superficie estable de modo que la cadena/barra guía no entre en contacto con el piso ni con ningún objeto. Mantenga todas las partes del cuerpo alejadas de la cadena/barra guía y del silenciador. El incumplimiento de estas instrucciones podría causar lesiones personales de gravedad.



- Si el motor arranca, funciona y acelera, pero no funciona en marcha lenta, gire el tornillo de marcha lenta "T" hacia la derecha para aumentar la velocidad de dicha marcha.
- Si la cadena avanza al estar el motor en marcha lenta, gire el tornillo de marcha lenta "T" hacia la izquierda para reducir la velocidad de dicha marcha y detener el movimiento de la cadena. Si la cadena de la sierra aún se mueve al estar el motor en marcha lenta, lleve la unidad a un centro de servicio autorizado para que la ajusten y suspenda el uso de la misma en tanto no se efectúe la reparación.

### **⚠ ADVERTENCIA:**

LA CADENA DE LA SIERRA NUNCA DEBE AVANZAR AL ESTAR EL MOTOR EN MARCHA LENTA. Gire el tornillo de marcha lenta "T" hacia la izquierda para reducir dicha marcha y así detener la cadena, lleve la unidad un centro de servicio autorizado para que la ajusten y suspenda el uso de la misma en tanto no se efectúe la reparación. Si la cadena se mueve al estar el motor en marcha lenta, podría ocurrir lesiones corporales serias.

# FUNCIONAMIENTO

## EMPUJÓN Y TIRÓN

Vea la figura 14.

La fuerza de reacción de la sierra es siempre opuesta a la dirección en que está moviéndose la cadena. Así, el operador debe estar preparado para controlar el TIRÓN al cortar por el borde inferior de la barra guía, y el EMPUJÓN al cortar por el borde superior de dicha barra.

**NOTA:** La motosierra ha sido probada completamente en la fábrica. Es normal encontrar algún leve residuo de aceite en la sierra.

### **⚠ ADVERTENCIA:**

El CONTRAGOLPE ocurre cuando la cadena en movimiento hace contacto con un objeto en la parte superior de la punta de la barra, o cuando la madera entra y pellizca la cadena de la sierra en el punto de corte. El contacto de la parte superior de la punta de la barra con la madera puede causar que la cadena se clave en el material y se detenga instantáneamente. El resultado es una reacción súbita en dirección inversa, la cual lanza la barra guía hacia arriba y hacia atrás, en la dirección donde se encuentra el operador. Si la cadena de la sierra se pellizca en el corte, a lo largo de la parte superior de la barra guía, puede causarse un rápido empuje de dicha barra hacia atrás, en la dirección donde se encuentra el operador. Cualquiera de estas dos reacciones puede originar una pérdida de control, la cual a su vez podría ser causa de lesiones serias.

No dependa exclusivamente de los dispositivos de seguridad incorporados en la sierra. Como usuario de una motosierra, debe tomar las medidas necesarias para evitar accidentes y lesiones en todos sus trabajos de corte. Consulte el apartado *Reglas de seguridad generales*, donde encontrará más información.

## PRECAUCIONES RELACIONADAS CON EL CONTRAGOLPE

Vea las figuras 15 y 16.

El contragolpe rotatorio ocurre cuando la cadena en movimiento hace contacto con un objeto en la zona de peligro de contragolpe de la barra guía. El resultado es una reacción súbita en dirección inversa, la cual lanza la barra guía hacia arriba y hacia atrás, en la dirección donde se encuentra el operador. Esta reacción súbita puede originar una pérdida de control, la cual a su vez podría ser causa de lesiones serias.

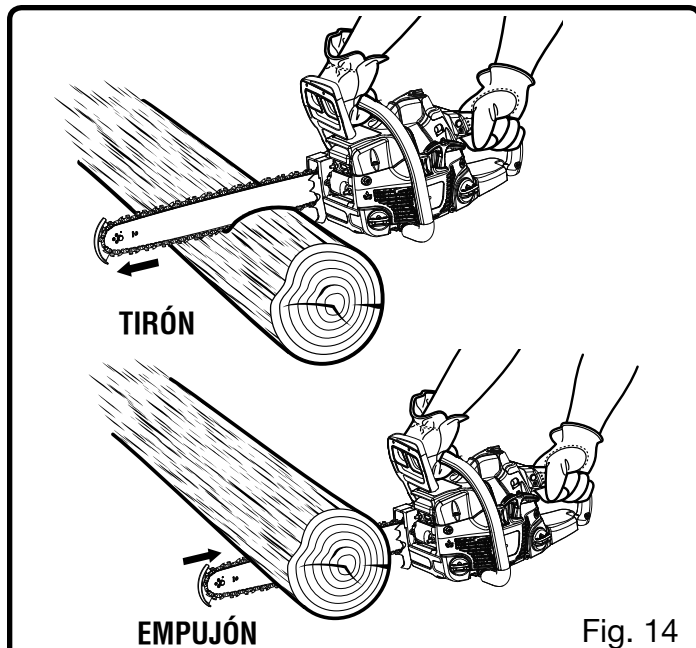


Fig. 14

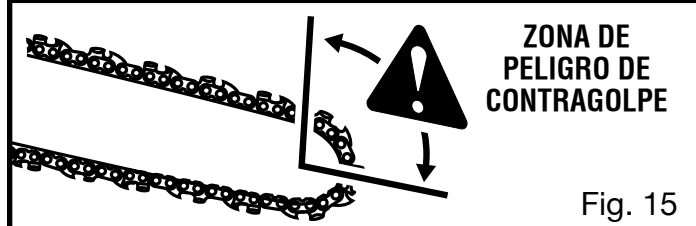


Fig. 15

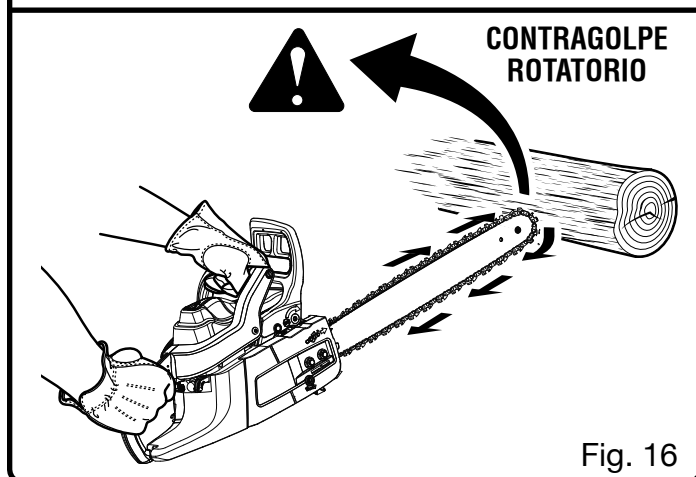


Fig. 16

# FUNCIONAMIENTO

## PREPARACIÓN PARA EL CORTE

### SUJECIÓN CORRECTA DE LOS MANGOS

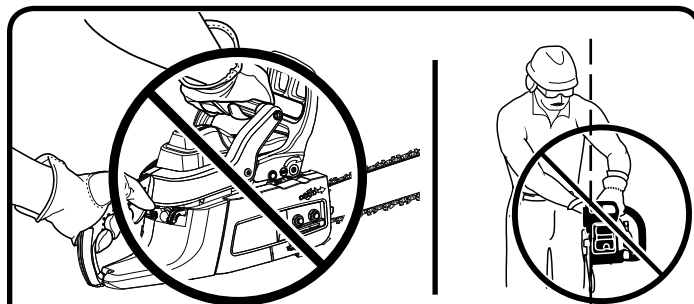
Vea la figura 17.

Consulte el apartado *Reglas de seguridad generales*, donde encontrará información sobre el equipo de seguridad adecuado.

- Póngase guantes antideslizantes para lograr una capacidad de sujeción y protección máximas.
- Sujete la sierra firmemente con ambas manos. Siempre mantenga la mano izquierda en el mango delantero y la mano derecha en el mango trasero, de manera que su cuerpo quede a la izquierda del plano de la cadena.

#### **⚠ ADVERTENCIA:**

Nunca sujete la unidad con la posición de las manos intercambiada, ni con el cuerpo en ninguna postura que pueda colocar el mismo o el brazo a través del plano de la cadena.



#### **⚠ ADVERTENCIA:** PLANO DE LA CADENA →

NO accione el gatillo del acelerador con la mano izquierda, sujetando el mango delantero con la mano derecha. Nunca permita que ninguna parte del cuerpo cruce el plano de la cadena mientras esté funcionando la sierra.

- Mantenga una sujeción adecuada de la sierra siempre que esté funcionando el motor. Los dedos deben rodear el mango, con el pulgar doblado bajo la barra del mismo. Esta forma de sujeción es la que tiene menor probabilidad de fallar por un contragolpe o cualquier otra reacción súbita de la sierra. Cualquier forma

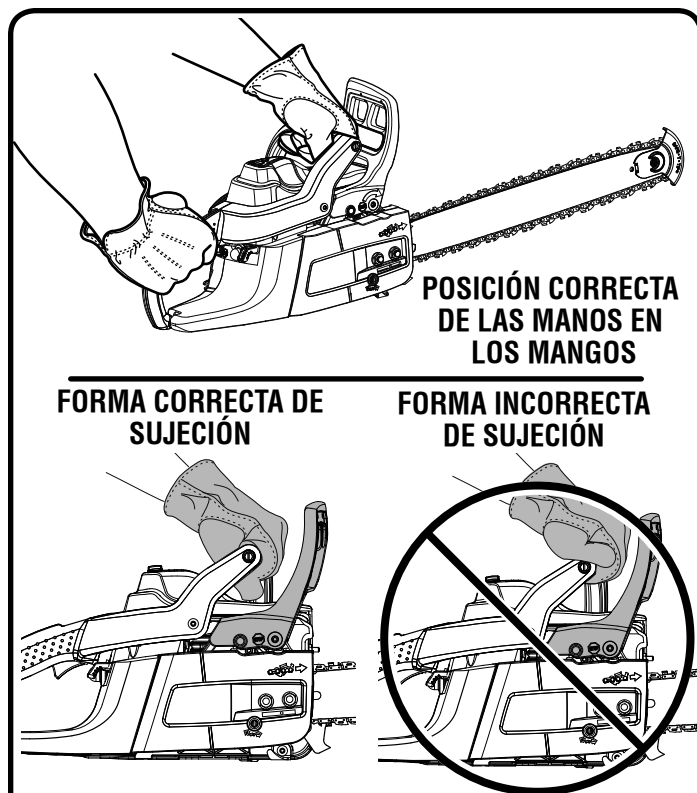


Fig. 17

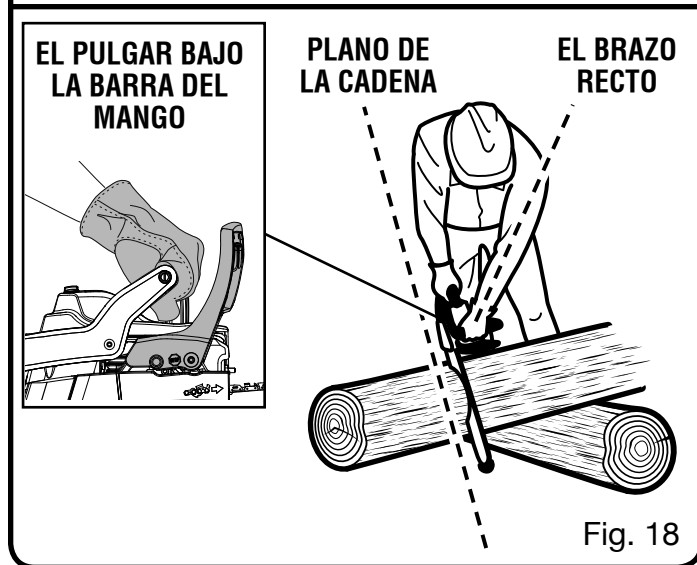


Fig. 18

de sujeción en la cual el pulgar y los dedos restantes están en el mismo lado del mango es peligrosa, debido a que incluso un contragolpe leve de la sierra puede originar la pérdida del control.

## POSTURA CORRECTA PARA EL CORTE

Vea la figura 18.

### **⚠ ADVERTENCIA:**

Siempre use la postura correcta para el corte descritos en esta sección. Nunca de rodillas cuando se utiliza la motosierra, excepto cuando se tala de árbol, como se muestra en la figura 23b. Rodillas podría ocasionar la pérdida de estabilidad y control de la sierra y provocar lesiones personales graves.

- Su peso debe quedar distribuido de forma equilibrada con ambos pies en suelo firme.
- Mantenga el brazo izquierdo con el codo rígido en posición de “brazo recto” para poder tolerar la fuerza de cualquier contragolpe.
- Mantenga el cuerpo a la izquierda del plano de la cadena.
- Mantenga el pulgar bajo la barra del mango.

## PRECAUCIONES RELACIONADAS CON EL ÁREA DE TRABAJO

Vea la figura 19.

- Sólo corte madera o materiales hechos de madera; no corte lámina metálica, plásticos, mampostería, ni materiales de construcción que no sean de madera.
- Nunca permita utilizar la sierra a ningún niño. No permita utilizar la sierra a ninguna persona que no haya leído este manual del operador o no haya recibido instrucciones adecuadas sobre la forma correcta de emplear esta motosierra.
- Mantenga a todas las personas, ayudantes, circunstantes, niños y animales a una **DISTANCIA SEGURA** del área de corte. Durante las operaciones de tala de árboles, una distancia segura es por lo menos el doble de la altura de los árboles más altos presentes en el área de la tala. Durante las tareas de tronzado (corte en tramos más pequeños), debe mantenerse una distancia mínima de 4,6 metros (15 pies) entre los trabajadores.
- Siempre corte con ambos pies bien apoyados en suelo sólido para evitar perder el equilibrio.



Fig. 19

- No corte arriba de la altura del pecho, ya que si se tiene la sierra más arriba de esa altura, es difícil de controlar bajo la fuerza del contragolpe.
- No tale árboles cerca de cables eléctricos o de edificios. Deje tal operación a los profesionales.
- Corte solamente cuando la visibilidad y la luz sean adecuadas para ver claramente.

## PROCEDIMIENTOS BÁSICOS DE FUNCIONAMIENTO Y CORTE

Practique cortando unos pocos troncos pequeños aplicando la siguiente técnica para acostumbrarse al manejo de la sierra antes de comenzar una tarea de corte de mayores proporciones.

- Adopte una postura correcta del cuerpo frente a la madera, con la sierra en marcha lenta.
- Acelere el motor hasta el punto máximo justo antes de comenzar el corte; para ello, oprima el gatillo del acelerador.
- Inicie el corte poniendo la sierra contra el tronco.
- Mantenga el motor a la máxima aceleración todo el tiempo que esté cortando.
- Permita que la cadena efectúe el corte; sólo aplique una leve presión hacia abajo. Si fuerza el corte, puede dañarse la barra, la cadena o el motor.
- Suelte el gatillo del acelerador tan pronto como se termine el corte, permitiendo al motor funcionar en marcha lenta. Si hace funcionar la sierra a la aceleración máxima sin estar cortando nada, puede ocurrir un desgaste innecesario de la cadena, de la barra y del motor.
- No aplique presión en la sierra al final del corte.

# FUNCIONAMIENTO

## TALA DE ÁRBOLES

### CONDICIONES PELIGROSAS

Vea las figuras 20 a 23.

#### **⚠ ADVERTENCIA:**

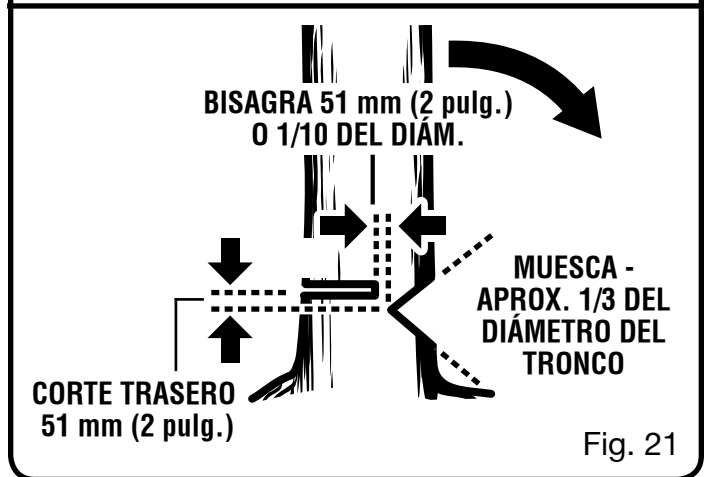
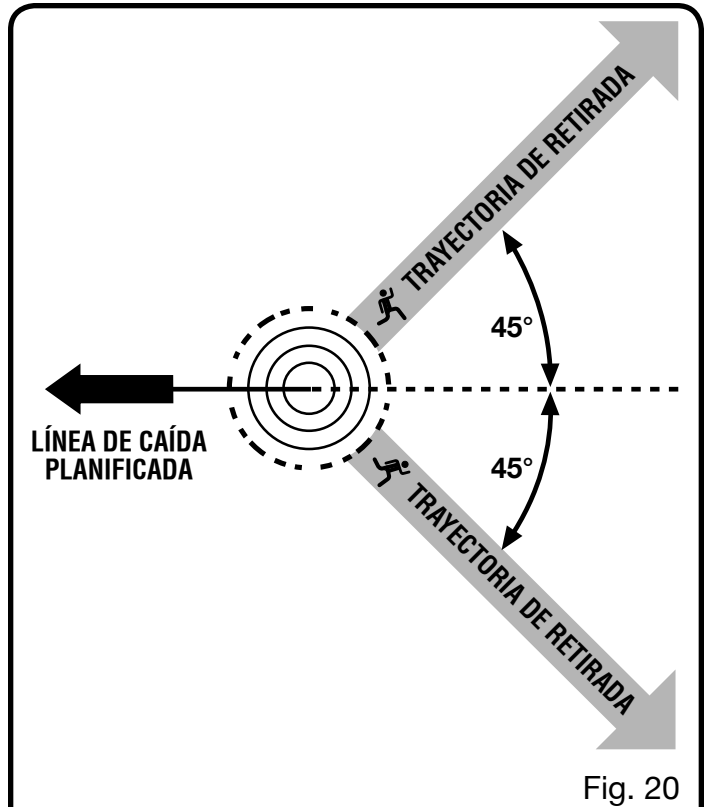
No tale árboles durante períodos de viento o lluvia intensos. Espere hasta que cese el tiempo peligroso.

#### **⚠ ADVERTENCIA:**

Controle con cuidado que no haya ramas rotas o muertas que puedan caer mientras tala, y no tale cerca de edificios o cables eléctricos si no sabe en qué dirección caerá el árbol. No tale de noche o con malas condiciones climáticas como lluvia, nieve o fuertes vientos, porque tendrá menor visibilidad y menor control de la motosierra. Si el árbol que está talando cae sobre una línea de transmisión de algún servicio, deje de usar la motosierra y notifique de inmediato a la compañía de servicios. No seguir estas instrucciones podría causar la muerte o lesiones personales graves.

Al talar un árbol, es muy importante que siga estrictamente estas advertencias e instrucciones para evitar la muerte u otras lesiones personales serias.

- No corte árboles extremadamente delgados ni árboles grandes con ramas podridas, corteza suelta o troncos huecos. Permita que expertos derriben estos árboles con equipo pesado de empuje o arrastre, y después recórtelos.
- No corte árboles cerca de cables eléctricos o de edificios.
- Revise cada árbol para ver si tiene ramas muertas que pudiesen caer y golpearlo al talar aquél.
- Periódicamente eche un vistazo a la copa del árbol durante el corte trasero, para asegurarse de que caiga en la dirección deseada.
- Si el árbol comienza a caer en una dirección equivocada, o si la sierra se pellizca o queda colgada en el tronco durante la caída del árbol, ¡deje la sierra y sávese!
- Tala de árboles – Cuando las tareas de tronzado (corte en tramos más pequeños) y de tala de árboles son efectuadas por dos o más personas al mismo tiempo, la operación de tronzado de un



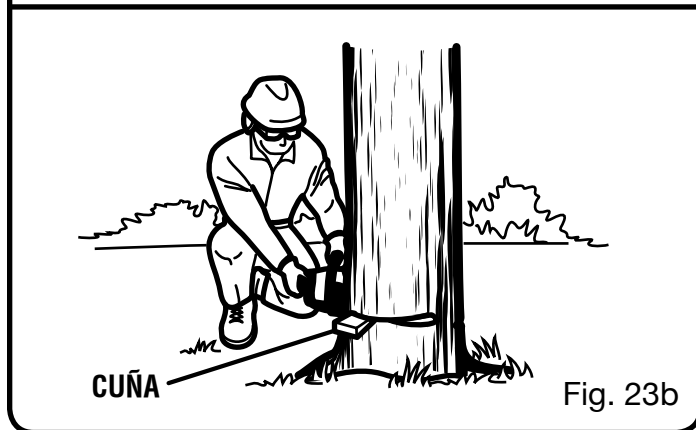
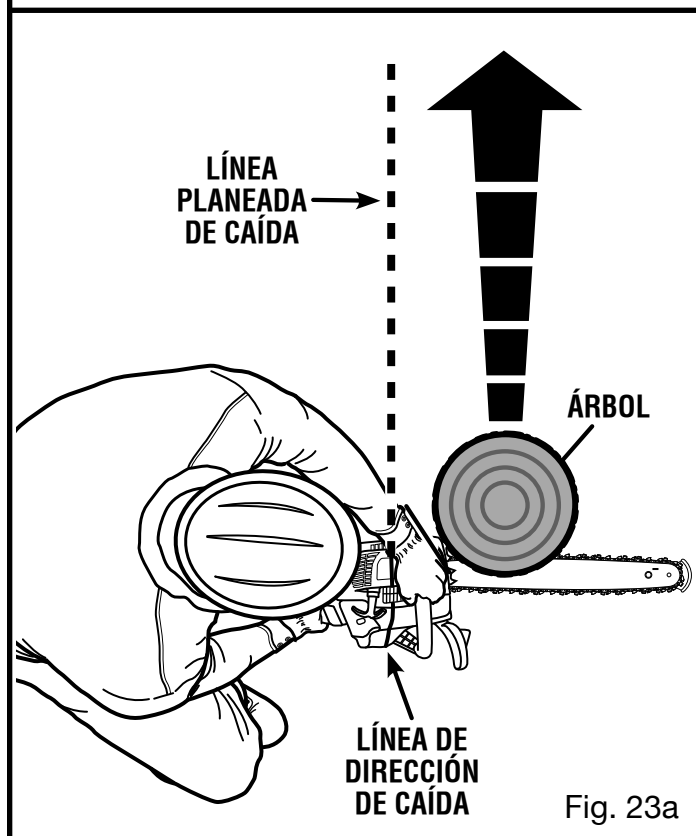
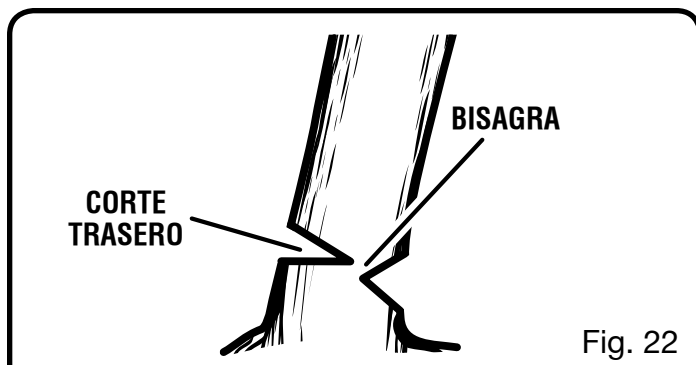
## FUNCIONAMIENTO

árbol previamente talado debe separarse de la de la tala del árbol siguiente por una distancia igual al doble de la altura del árbol que esté talándose en ese momento. Debe evitarse cortar los árboles de una manera que pudieran poner en peligro a cualquier persona, golpear las líneas de servicios públicos o causar cualquier daño material. Si el árbol golpea cualquier red de servicio público, la compañía correspondiente debe ser notificada de inmediato.

- Antes de iniciar cualquier corte, escoja su ruta de escape (o rutas, en caso de que esté bloqueada la ruta planeada); despeje el área inmediata alrededor del árbol y asegúrese de que no haya obstrucciones en la trayectoria de retirada planeada. Las trayectorias despejadas para una retirada segura deben extenderse hacia atrás en forma diagonal ( $45^\circ$ ) detrás de la línea de caída planeada. Cuando el árbol empiece a caer, usted deberá retirarse de la dirección de la caída usando la trayectoria de retirada y a una distancia de 6 m (20 pies) del tronco en caso de que exista un contragolpe sobre la cepa. *Vea la figura 20.*
- Antes de iniciar la tala del árbol, considere la fuerza y la dirección del viento, la inclinación y el equilibrio del árbol, y por último la ubicación de las ramas más grandes del mismo. Estos aspectos influyen en la dirección de caída del árbol. No trate de talar ningún árbol a lo largo de una línea diferente de su línea natural de caída.
- El operador de la motosierra debe permanecer en el lado colina arriba del terreno, ya que probablemente el árbol rodará o se deslizará colina abajo una vez talado.
- Retire la tierra, piedras, corteza floja, clavos, grapas y alambre del árbol, donde se vayan a efectuar los cortes de tala.

**NOTE:** Antes de realizar cualquier corte, asegúrese de que la línea de dirección de caída del chasis de la sierra esté alineada con la trayectoria deseada para a caída del árbol. La Figura 23a muestra cómo se utilizan las mirillas de dirección de corte al hacer el corte trasero.

- **Corte de muescado.** Corte una muesca de  $1/3$  del diámetro del tronco aproximadamente como se muestra en la figura 21. Efectúe los cortes de la muesca de manera que queden cruzando en ángulo recto el plano de caída. Esta muesca debe



# FUNCIONAMIENTO

limpiarse para dejar una línea recta. Para mantener el peso de la madera fuera de la sierra, siempre efectúe el corte inferior de la muesca antes del corte superior. *Vea la figura 21.*

- **Corte trasero de tala.** El corte trasero siempre se realiza nivelado y horizontal, y a un mínimo de 51 mm (2 pulg.) arriba del corte horizontal de la muesca. *Vea las figuras 21 y 22.*
- Nunca corte hasta la muesca. Siempre deje una franja de madera entre la muesca y el corte trasero (aprox. 51 mm [2 pulg.] ó 1/10 del diámetro del árbol). Esto se llama “bisagra” o “madera de bisagra”. Controla la caída del árbol y evita el deslizamiento, el torcimiento o la separación violenta del árbol de su cepa. *Vea las figuras 21 y 22.*
- En árboles de diámetro grande, detenga el corte trasero antes de que esté tan profundo que el árbol pudiese caer o asentarse en la cepa. Después introduzca cuñas de madera o plástico suaves en el corte, de manera que no toquen la cadena. Las cuñas pueden encajarse, poco a poco, para ayudar a derribar el árbol. *Vea la figura 23b.*

**NOTA:** Al tronzar o talar un árbol con una cuña, puede ser necesario desmontar la protección anticontragolpe SAFE-T-TIP de la punta para permitir pasar la barra por todo el corte. Después de terminar el corte, debe volver a montarse de inmediato la protección de la punta.

- A medida que comience a caer el árbol, apague la motosierra y deposítela en el suelo de inmediato. Retírese por la trayectoria despejada, pero observe lo que sucede por si algo llega a caer en su camino. Permanezca alerta a las ramas elevadas que puedan caer y fíjese en dónde pisa.

## **⚠ ADVERTENCIA:**

Nunca corte hasta la muesca al efectuar el corte trasero. La bisagra, que es la parte de madera existente entre la muesca y el corte trasero, controla la caída del árbol.

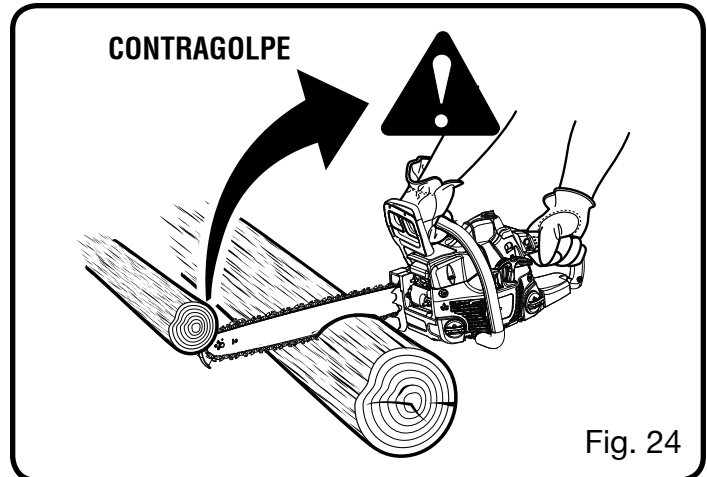


Fig. 24

## **TRONZADO**

*Vea la figura 24.*

Tronzado es el término aplicado al corte del tronco de un árbol derribado, en tramos de la longitud deseada.

- Solamente corte un tronco a la vez.
- Apoye los troncos pequeños en un caballete de aserrar o en otro tronco mientras los tronza.
- Mantenga despejada el área del corte. Asegúrese de que ningún objeto pueda tocar la punta de la barra guía ni la cadena durante el corte, ya que puede originarse un contragolpe. Para evitar tal peligro, mantenga montada la protección anticontragolpe SAFE-T-TIP™ mientras efectúa el corte. Consulte el apartado **Contragolpe** de la sección *Reglas de seguridad específicas* de este manual, donde encontrará información de seguridad adicional.
- Al efectuar tareas de tronzado en una pendiente, siempre párese en el lado colina arriba de los troncos. Para mantener un control completo de la motosierra al cortar a través del tronco, afloje la presión de corte cerca del final del corte sin disminuir la fuerza de sujeción de los mangos de la sierra. No permita que la cadena toque el suelo. Después de terminar el corte, espere a que se detenga la cadena antes de mover la motosierra. Siempre apague el motor antes de desplazarse de un árbol a otro.

# FUNCIONAMIENTO

## TRONZADO CON CUÑA

Veja la figura 25.

Si el diámetro del tronco es suficientemente grande para introducir una cuña de tronzar suave sin tocar la cadena, debe utilizar la cuña para mantener abierto el corte y de esta manera evitar el pellizcamiento.

**NOTA:** Al tronzar o cortar un árbol con una cuña, puede ser necesario desmontar la protección anticontraGolpe SAFE-T-TIP™ de la punta para permitir tirar de la barra por todo el corte. Después de terminar el corte, debe volver a montar la protección de la punta.

## TRONZADO DE TRONCOS BAJO TENSIÓN

Veja la figura 26.

Efectúe el primer corte de tronzado a 1/3 del espesor del tronco y termine con un corte de 2/3 por el lado opuesto. A medida que corta el tronco, éste tenderá a doblarse. La sierra puede resultar pellizcada o quedar colgada en el tronco si efectúa el primer corte a una profundidad mayor de 1/3 del diámetro del tronco.

Preste atención en especial a los troncos sujetos a tensión para evitar el pellizcamiento de la barra y de la cadena en la madera.

## TRONZADO POR ARRIBA

Veja la figura 27.

Comience por el lado superior del tronco, con la parte inferior de la sierra puesta contra el tronco; ejerza una presión leve hacia abajo. Observe que la sierra tenderá a alejarse de usted.

## TRONZADO POR ABAJO

Veja la figura 28.

Comience por el lado inferior del tronco, con la parte superior de la sierra puesta contra el tronco; ejerza una presión leve hacia arriba. Durante el tronzado por abajo, la sierra tenderá a venir hacia usted. Esté preparado para esta reacción y sujete firmemente la sierra para conservar el control de la misma.

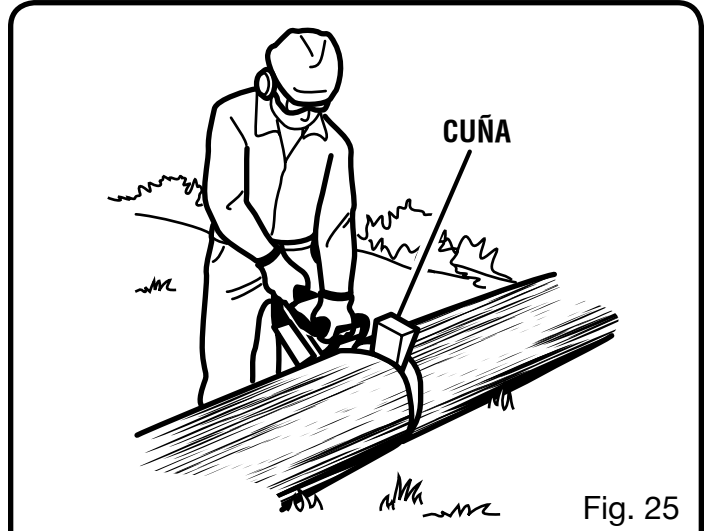


Fig. 25

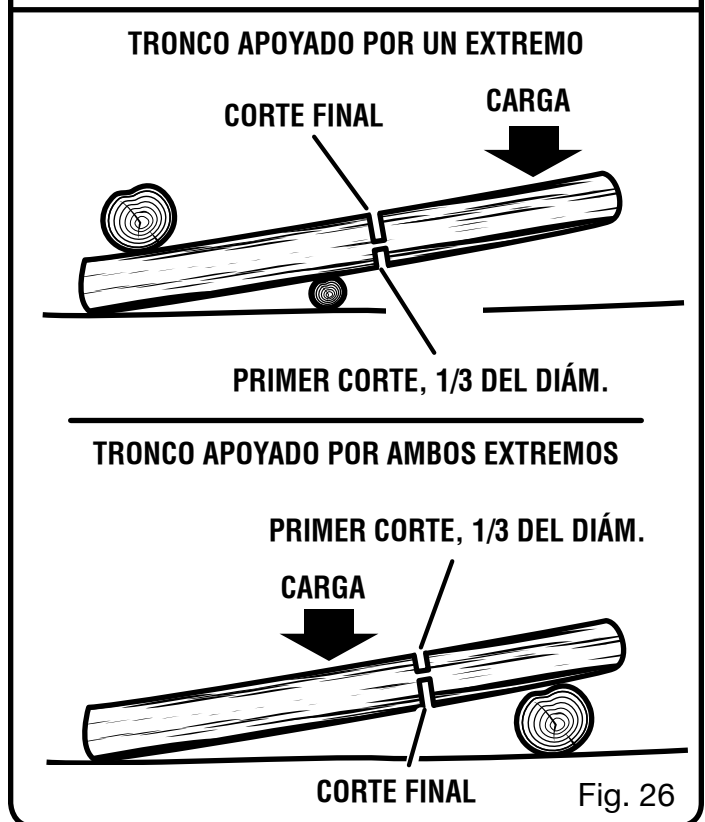


Fig. 26



# FUNCIONAMIENTO

## DESRAMADO

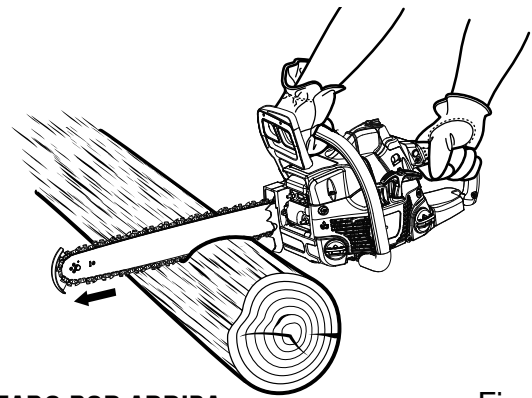
Vea la figura 29.

### **⚠ ADVERTENCIA:**

Nunca se suba a un árbol para desramarlo o podarlo. No se pare en escaleras, plataformas, tejado o troncos, ni en ninguna posición que pueda causarle la pérdida del equilibrio o del control de la sierra lo que podría resultar en la muerte o lesiones personales graves.

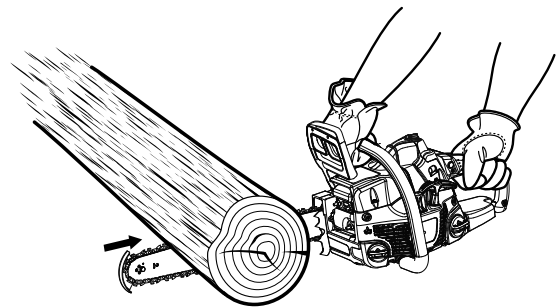
El desramado es la eliminación de las ramas de un árbol cortado.

- Trabaje lentamente, manteniendo ambas manos en la motosierra, sujetándola firmemente. Siempre asegúrese de mantener una postura firme y de distribuir su peso de forma equilibrada en ambos pies.
- Deje las ramas de soporte más grandes bajo el árbol para mantenerlo separado del suelo mientras efectúa los cortes.
- Solamente corte una rama a la vez. Retire las ramas cortadas del área de trabajo con frecuencia para mantener el área de trabajo limpia y segura.
- Las ramas bajo tensión deben cortarse de abajo hacia arriba para evitar el atoramiento de la motosierra.
- Mantenga el árbol entre usted y la motosierra mientras realice el desramado. Corte desde el lado del árbol que quede opuesto a la rama que esté cortando.



TRONZADO POR ARRIBA

Fig. 27



TRONZADO POR ABAJO

Fig. 28

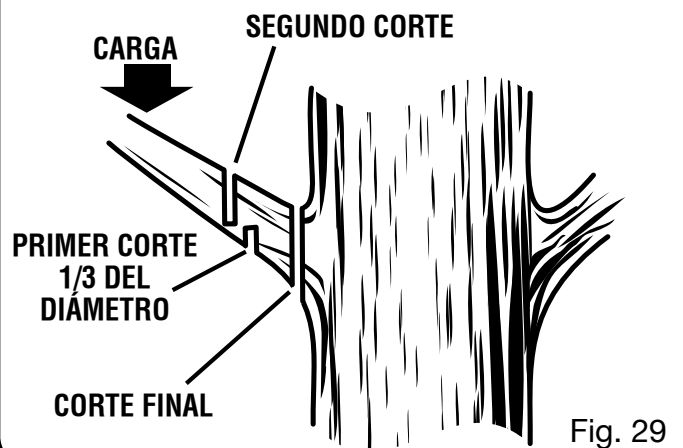


Fig. 29

## FUNCIONAMIENTO

### PODA

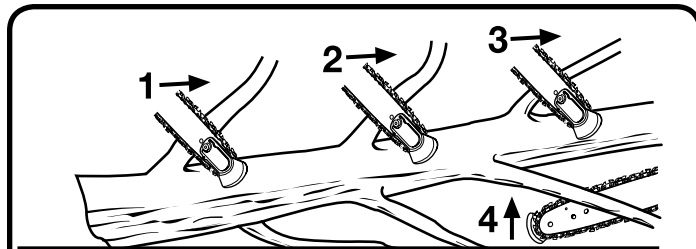
Vea la figura 30.

La poda es el recorte de las ramas de un árbol vivo.

- Trabaje lentamente, manteniendo ambas manos en la motosierra, sujetándola firmemente. Siempre asegúrese de mantener una postura firme y de distribuir su peso de forma equilibrada en ambos pies.
- No realice tareas de corte subido en una escalera, ya que es extremadamente peligroso. Deje tal operación a los profesionales.
- No corte arriba de la altura del pecho, ya que si se tiene la sierra más arriba de esa altura, es difícil de controlar bajo la fuerza del contragolpe.
- Al podar árboles es importante no realizar el corte final de una rama, junto a la rama o tronco de donde sale, sin haber recortado la primera para reducir el peso de la misma. De esta manera se evita desprender la corteza del miembro progenitor.
- Para el primer corte de tronzado, corte por abajo la rama 1/3 del diámetro de la misma.
- El segundo corte de tronzado debe ser por arriba para cortar completamente la rama.
- Ahora efectúe el corte final, liso y bien hecho, contra el miembro progenitor, de manera que se forme la corteza para sellar el corte.

#### **⚠ ADVERTENCIA:**

Si las ramas por podar están arriba de la altura del pecho, contrate a un experto para que efectúe la poda. La inobservancia de esta advertencia puede causar lesiones serias.



**CORTE UNA RAMA A LA VEZ Y DEJE RAMAS DE SOPORTE BAJO EL ÁRBOL HASTA QUE ESTÉ CORTADO EL TRONCO**

Fig. 30



**PÉRTIGA**

Fig. 31

### CORTE DE PÉRTIGAS

Vea la figura 31.

Una pértiga es cualquier tronco, rama, cepa enraizada o árbol joven que ha sido doblado por la presión de otro árbol o rama, de manera que azota si se corta o se elimina el elemento que lo detiene. Con la cepa enraizada de un árbol caído hay un gran peligro de que la misma vuelva súbitamente a la posición vertical durante el corte de tronzado para separar el tronco de la cepa. Tenga cuidado con las pértigas; son peligrosas.

#### **⚠ ADVERTENCIA:**

Las pértigas son peligrosas y podrían golpear al operador, obligándolo a perder el control de la motosierra. Esto podría causarle lesiones mortales o serias al operador.

## MANTENIMIENTO

Cualquier establecimiento o técnico de reparaciones calificado puede realizar el mantenimiento normal, el reemplazo o la reparación de los dispositivos y sistemas de control de emisiones, con repuestos originales o equivalentes. Un centro de servicio calificado deberá realizar las reparaciones y el retiro del producto que cubra la garantía; póngase en contacto con el servicio al cliente para obtener ayuda.

#### **⚠ ADVERTENCIA:**

Antes de inspeccionar, limpiar o dar mantenimiento a la máquina, apague el motor, espere hasta que se detengan todas las piezas en movimiento, desconecte el cable de la bujía y apártelo de la bujía. El incumplimiento de estas instrucciones puede provocar lesiones personales graves o daños materiales.

# MANTENIMIENTO

## **⚠ ADVERTENCIA:**

Las superficies del silenciador alcanzan temperaturas muy elevadas tanto durante como después de accionar la motosierra; mantenga todas las partes del cuerpo alejadas del silenciador. Se pueden ocasionar quemaduras graves de entrar en contacto con el silenciador.

## **⚠ ADVERTENCIA:**

Siempre póngase protección ocular con la marca de cumplimiento de la norma ANSI Z87.1 junto con protección para los oídos y la cabeza. La inobservancia de esta advertencia puede permitir que los objetos lanzados hacia los ojos y otros provocarle lesiones graves.

## **⚠ ADVERTENCIA:**

Al dar servicio a la unidad, sólo utilice piezas de repuesto idénticas. El empleo de piezas diferentes podría ser peligroso o dañar el producto.

## **AVISO:**

Inspeccione periódicamente todo el producto para detectar partes dañadas, faltantes o sueltas, como tornillos, tuercas, pernos, tapas, etc. Apriete firmemente todos los sujetadores y las tapas y no accione este producto hasta que todas las partes faltantes o dañadas sean reemplazadas. Llame al contacto con el servicio al cliente o con un centro de servicio calificado para recibir asistencia.

## **MANTENIMIENTO GENERAL**

Evite el empleo de solventes al limpiar piezas de plástico. La mayoría de los plásticos son susceptibles a diferentes tipos de solventes comerciales y pueden resultar dañados. Utilice paños limpios para eliminar la suciedad, el polvo, el aceite, la grasa, etc.

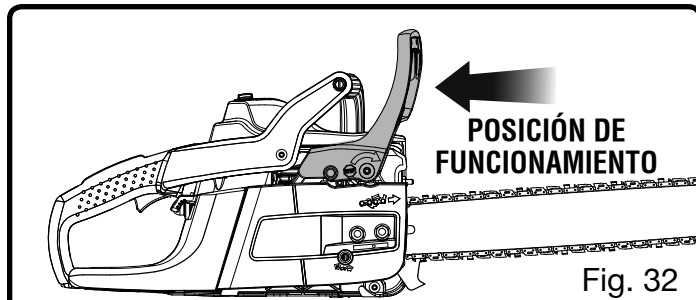


Fig. 32

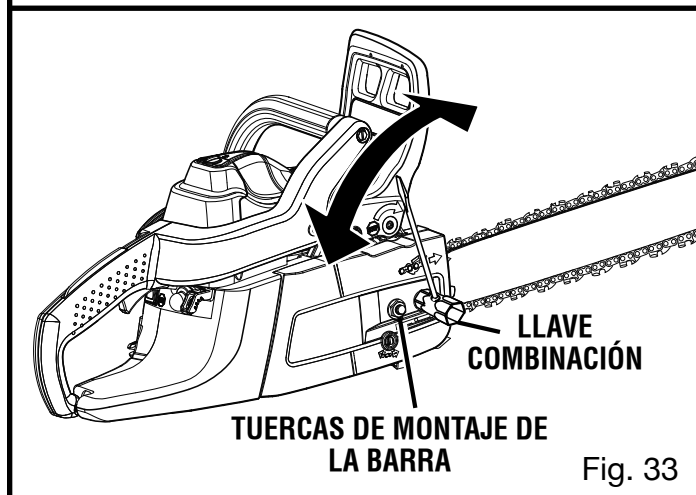


Fig. 33

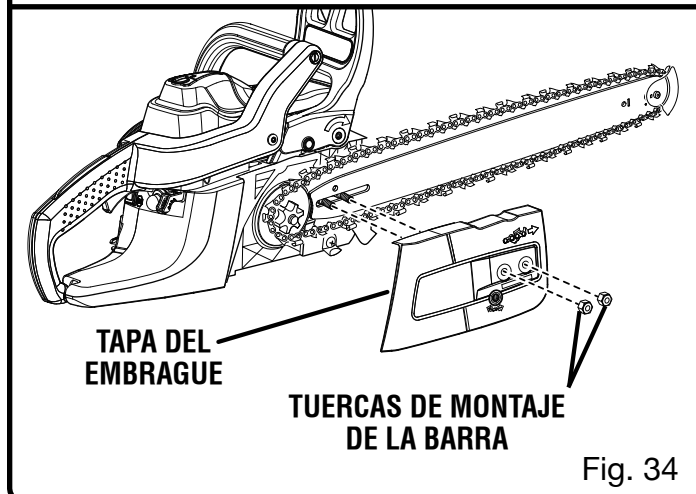


Fig. 34

## **⚠ ADVERTENCIA:**

No permita en ningún momento que fluidos para frenos, gasolina, productos a base de petróleo, aceites penetrantes, etc., lleguen a tocar las piezas de plástico. Las sustancias químicas pueden dañar, debilitar o destruir el plástico, lo cual a su vez puede producir lesiones corporales serias.

## LUBRICACIÓN

Todos los cojinetes de esta herramienta están lubricados con suficiente cantidad de aceite de alta calidad para toda la vida útil de la unidad en condiciones normales de funcionamiento. Por lo tanto, no se necesita lubricación adicional.

## CÓMO REEMPLAZAR LA BARRA GUÍA Y LA CADENA

Veá las figuras 32 a 41.

### **⚠ PELIGRO:**

Nunca arranque el motor sin haber instalado la barra guía, la cadena, la tapa del embrague y el tambor del embrague. Sin todas estas piezas en su lugar, el embrague puede salir disparado o estallar, exponiendo de esta manera al operador a una posible lesión seria.

### **⚠ ADVERTENCIA:**

Para evitar lesiones corporales serias, lea y comprenda todas las instrucciones de seguridad indicadas en esta sección.

- Apague el motor y desconecte el cable de la bujía antes de realizar cualquier tarea en la sierra.
- Asegúrese de que el freno de la cadena no esté puesto; para ello, tire de la palanca del mismo (protección de la mano) hacia el mango delantero, a la posición de funcionamiento.

**NOTA:** Al reemplazar la barra guía y la cadena, siempre utilice la barra y la cadena especificadas en la sección **Combinaciones de barra y cadena**, más adelante en este manual.

- Póngase guantes al manipular la cadena y la barra. Estos componentes están afilados y pueden contener rebabas.
- Retire las tuercas de montaje de la barra con la llave de combinación suministrada o una llave de casquillo de 13 mm.
- Retire la tapa del embrague.
- Retire la barra y la cadena de la superficie de montaje.
- Retire la cadena vieja de la barra.
- Extienda la nueva cadena de la sierra en un círculo y enderece todo retorcimiento presente en la misma. Los dientes de corte deben estar

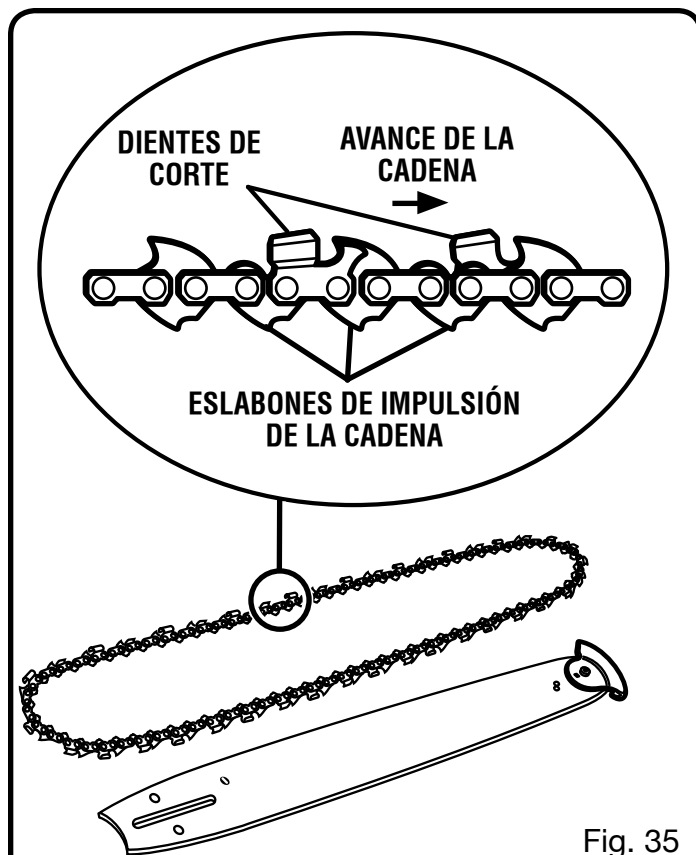


Fig. 35

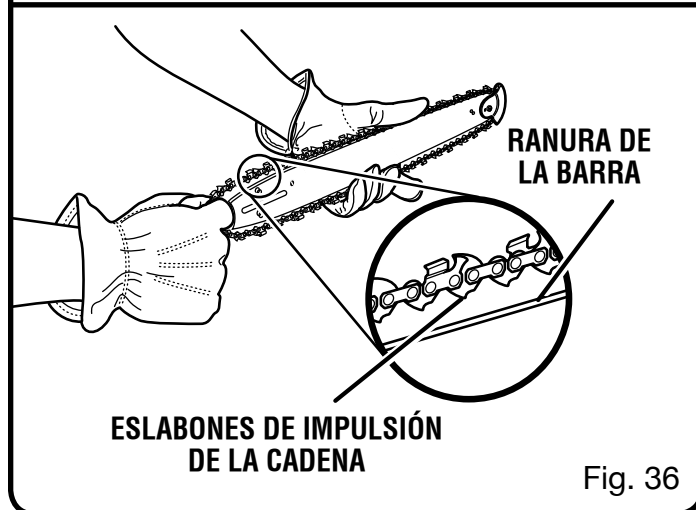


Fig. 36

orientados en la dirección de desplazamiento de la cadena. Si están orientados en la dirección opuesta, invierta la posición de la cadena.

- Coloque los eslabones de impulsión de la cadena en la ranura de la barra.
- Acomode la cadena de tal manera que haya una holgura en la parte posterior de la barra.
- Mantenga la cadena en su posición en la barra y coloque la holgura alrededor de la rueda dentada.

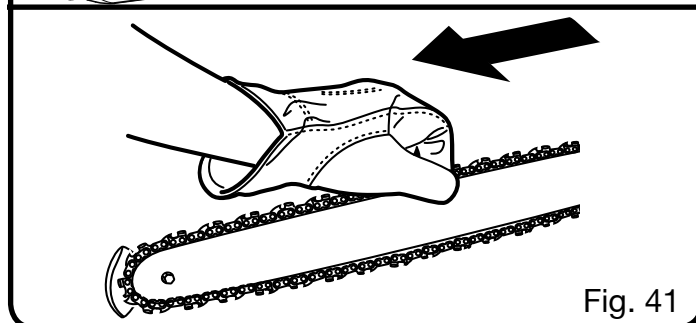
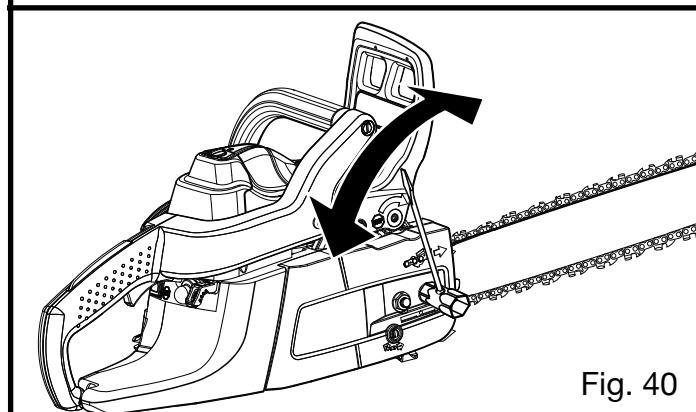
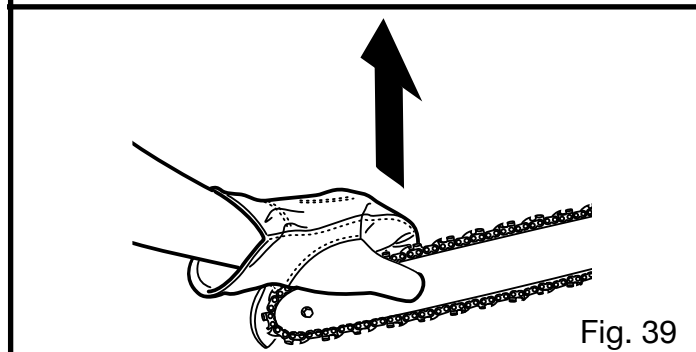
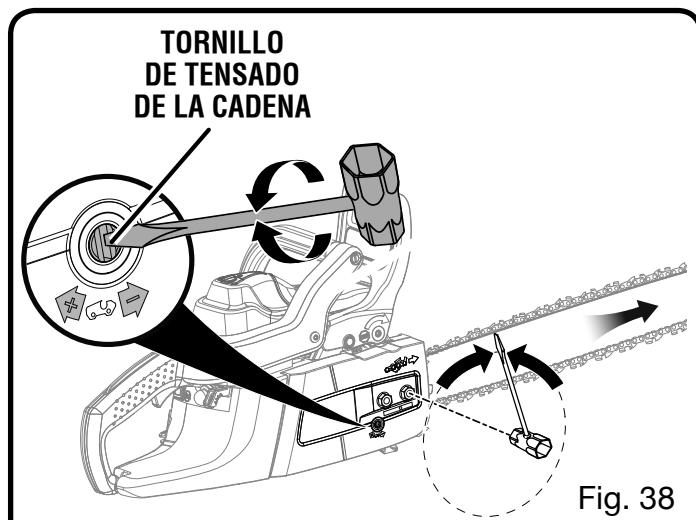
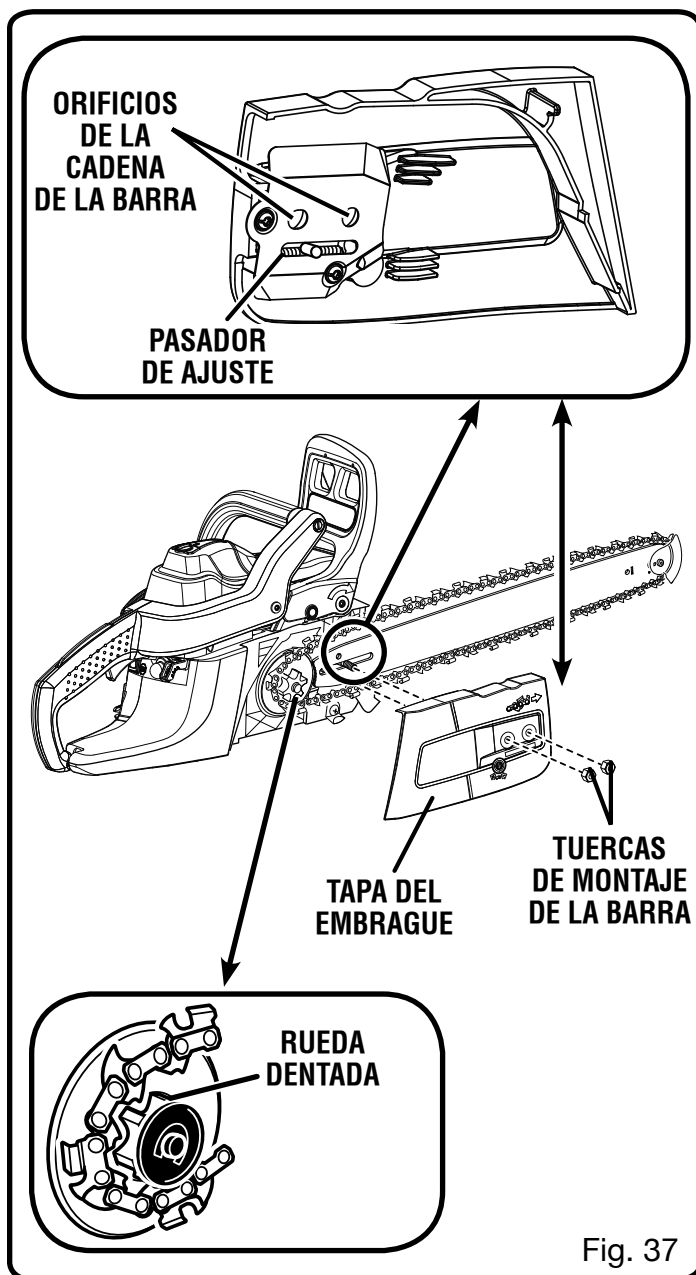
# MANTENIMIENTO

- Acomode la barra contra la superficie de montaje de manera que los pernos de la barra queden en la ranura larga de la misma.
- Vuelva a colocar la cubierta del embrague asegurándose de que el pasador de ajuste de la cubierta del embrague esté en el orificio del pasador tensionador de la cadena de la barra y que los dos espárragos de la barra estén fijos en sus respectivos orificios situados en la cubierta del embrague.

**NOTA:** Es posible que haya que reposicionar levemente el pasador de ajuste con el tornillo de tensión de la cadena para alinearlo con la posición

del orificio del pasador tensionador de la cadena de la barra.

- Reemplace y retirepriete las tuercas de montaje de la barra con los dedos. La barra debe quedar libre para moverse para el ajuste de la tensión.



# MANTENIMIENTO

- Elimine toda la holgura de la cadena; para ello, gire hacia la derecha el tornillo de tensado de la cadena hasta que ésta se siente ajustadamente en la barra, con los eslabones de impulsión dentro de la ranura de la misma.
- Levante la punta de la barra guía para revisar la holgura de la cadena.
- Suelte la punta de la barra guía y gire 1/2 vuelta hacia la derecha el tornillo de tensado de la cadena. Repita este proceso hasta que desaparezca toda holgura presente.
- Mantenga levantada la punta de la barra guía y apriete firmemente las tuercas de montaje de dicha barra.

La cadena está bien tensada cuando no hay holgura de la misma en la parte inferior de la barra guía, la cadena se siente bien ajustada en la barra, y puede avanzarse con la mano sin ningún atoramiento de aquélla. Asegúrese de que no esté puesto el freno de la cadena.

**NOTA:** Si queda demasiado ajustada la cadena, no podrá desplazarse. Afloje levemente las tuercas de montaje de la barra y gire 1/4 de vuelta hacia la izquierda el tornillo de ajuste de la tensión. Levante la punta de la barra guía y vuelva a apretar firmemente las tuercas de montaje de dicha barra. Asegúrese de que la cadena se desplace sin atorarse.

## AJUSTE DE LA TENSIÓN DE LA CADENA

Vea las figuras 42 a 44.

### **⚠ ADVERTENCIA:**

Apague el motor, espere a que se detengan todas las piezas en movimiento, desconecte el cable de la bujía y aléjelo de ésta. Nunca toque ni ajuste la cadena mientras esté funcionando el motor. La cadena de la sierra está sumamente afilada. Siempre lleve puestos guantes protectores al efectuar labores de mantenimiento de la cadena. El incumplimiento de estas instrucciones podría causar lesiones personales de gravedad.

- Apague el motor antes de ajustar la tensión de la cadena.
- Asegúrese de que las tuercas de montaje de la barra estén flojas al punto de apriete con los dedos.

### PARTES PLANAS DE LOS ESLABONES DE IMPULSIÓN

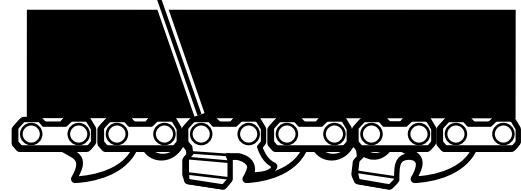
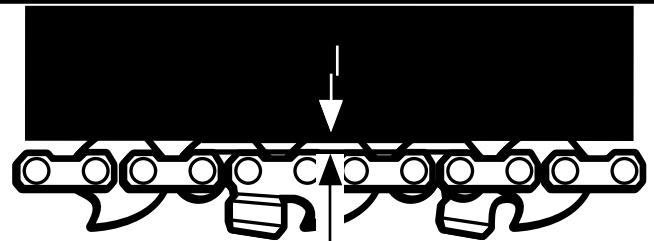
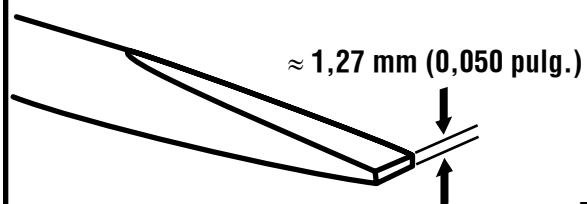


Fig. 42



≈ 1,27 mm (0,050 pulg.)

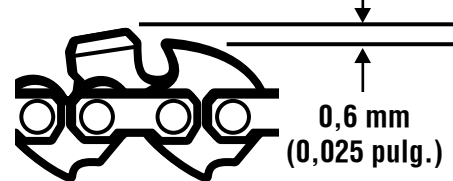
Fig. 43



≈ 1,27 mm (0,050 pulg.)

Fig. 44

### ESPACIO LIBRE DE LOS DIENTES LIMPIADORES (CALIBRES DE PROFUNDIDAD)



0,6 mm  
(0,025 pulg.)

Fig. 45

- Gire a la derecha el tornillo de tensado de la cadena para tensar ésta.

**NOTA:** La cadena, estando fría, está bien tensada cuando no hay holgura de la misma en la parte inferior de la barra guía, la cadena se siente bien ajustada en la barra, y puede avanzarse con la mano sin ningún atoramiento.

- Vuelva a tensar la cadena cada vez que las partes planas de los eslabones de impulsión sobresalen suspendidos de la ranura de la barra.

**NOTA:** Durante el funcionamiento normal de la sierra, aumenta la temperatura de la sierra. Si la cadena está bien tensada, estando caliente los eslabones de impulsión sobresalen suspendidos

# MANTENIMIENTO

de la ranura de la barra aproximadamente 1,27 mm (0,050 pulg.). Como ayuda para determinar la tensión adecuada de la cadena caliente, puede emplearse la llave de combinación como guía.

**NOTA:** Las cadenas nuevas tienden a estirarse; revise frecuentemente la tensión de la cadena y tense ésta según se requiera.

## AVISO:

Si se tensa la cadena estando ésta caliente, puede quedar demasiado apretada al enfriarse. Revise la “tensión en frío” de la cadena, antes de usar la sierra.

## MANTENIMIENTO DE LA CADENA

Vea las figuras 45 y 46.

## ⚠ PRECAUCIÓN:

Apague el motor y desconecte el cable de la bujía antes de realizar cualquier tarea en la sierra para evitar un arranque accidental que puede resultar en lesiones.

Sólo utilice una cadena de contragolpe moderado con esta sierra. Esta cadena de corte rápido proporciona reducción del contragolpe si se le da debido mantenimiento.

Para poder dar un corte liso y rápido, es necesario dar un mantenimiento adecuado a la cadena.

La cadena requiere afilarse cuando las virutas de madera salen pequeñas y polvorientas, cuando es necesario forzar la cadena a pasar a través de la madera durante el corte, o cuando la cadena corta hacia un lado. Durante el mantenimiento de la sierra considere lo siguiente:

- Un ángulo incorrecto de limado de la placa lateral puede aumentar el riesgo de un contragolpe violento.
- Espacio libre de los dientes limpiadores (calibres de profundidad).
  - Demasiado bajo aumenta el peligro de contragolpe.
  - Si no está lo suficientemente bajo disminuye la capacidad de corte.
- Si los dientes de corte han tocado objetos duros como clavos y piedras, o han sido desgastados por el lodo o la arena presentes en la madera,

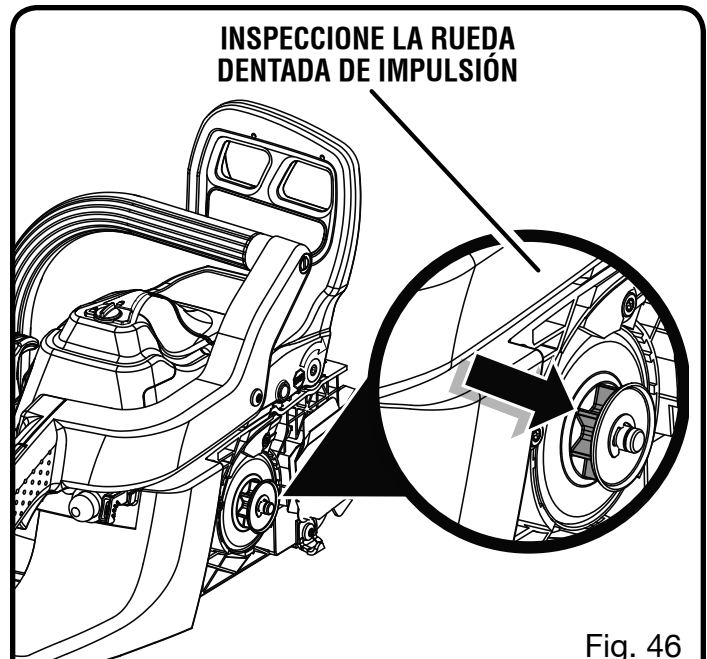


Fig. 46

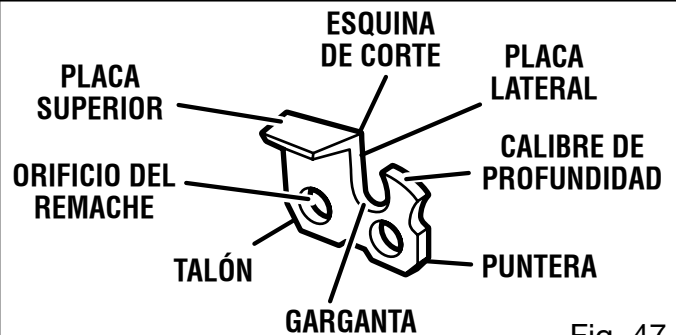


Fig. 47

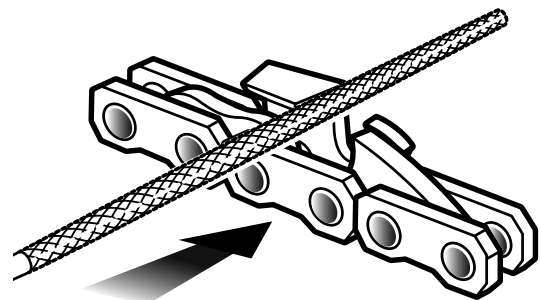


Fig. 48

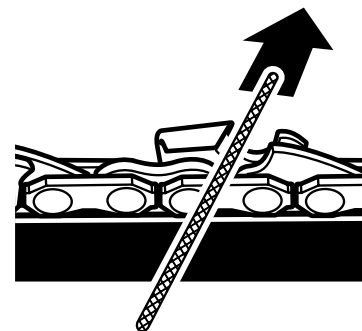


Fig. 49

# MANTENIMIENTO

permita que afilen la cadena en un centro de servicio autorizado.

**NOTA:** Al cambiar la cadena, inspeccione la rueda dentada de impulsión para ver si tiene desgaste o daños. Si hay señales de desgaste o daños presentes en las áreas indicadas, lleve la sierra a un centro de servicio autorizado para que cambien la rueda dentada.

**NOTA:** Si no comprende completamente el procedimiento correcto de afilado de la cadena después de leer las instrucciones siguientes, lleve la sierra a afilar a un centro de servicio autorizado o reemplácela con una cadena de contragolpe moderado recomendada.

## AFILADO DE LOS DIENTES DE CORTE

Vea las figuras 47 a 50.

Tenga cuidado de afilar todos los dientes de corte a los ángulos especificados y a la misma longitud, ya que sólo puede lograrse un corte rápido cuando están uniformes todos los dientes de corte.

### **⚠ ADVERTENCIA:**

La cadena de la sierra está sumamente afilada. Para evitar sufrir lesiones serias, siempre lleve puestos guantes protectores al efectuar labores de mantenimiento de la cadena.

- Tense la cadena antes de afilarla. Consulte el apartado **Ajuste de la tensión de la cadena**.
- Use una lima redonda de x 4,0 mm (3/16 pulg.) de diámetro con mango. Efectúe toda la limadura en el punto medio de la barra.
- Mantenga la lima al nivel de la placa superior de los dientes de corte. No permita que la lima se incline ni se balancee.
- Aplique una presión leve pero firme. Efectúe el movimiento hacia la parte frontal del diente.
- Levante la lima para separarla del acero en cada movimiento de regreso.
- Dé unas pocas pasadas firmes a cada diente de corte. Lime todos los dientes de corte izquierdos en una dirección. Después lleve la lima al otro lado y lime los dientes de corte derechos en la dirección opuesta.
- Con un cepillo de alambre limpie las limaduras producidas por la lima.

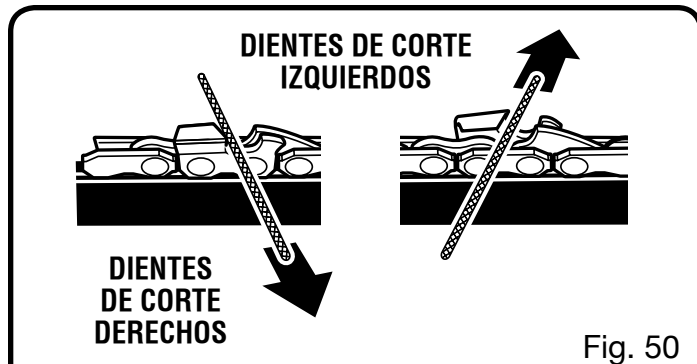


Fig. 50

## ÁNGULO DE LIMADURA DE LA PLACA SUPERIOR

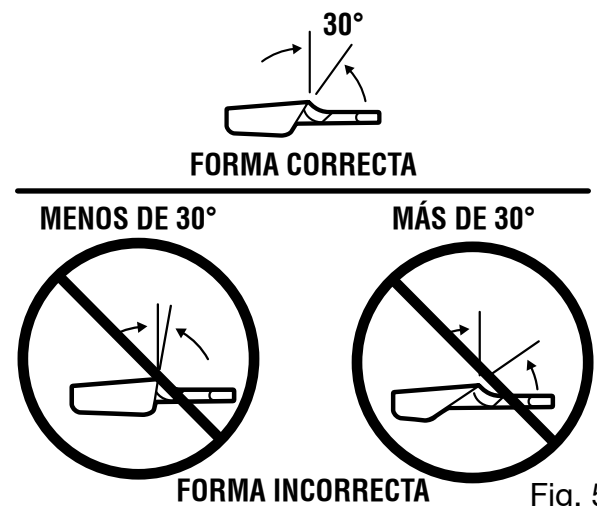


Fig. 51

### **AVISO:**

Si la cadena está desafilada o mal afilada, durante el corte puede causar una velocidad excesiva del motor, lo cual puede dañarlo.

### **⚠ ADVERTENCIA:**

Un afilado inadecuado de la cadena aumenta el peligro de contragolpe, lo que podría resultar en lesiones personales graves.

### **⚠ ADVERTENCIA:**

Si no se cambia o se repara la cadena cuando está dañada, puede causar lesiones serias.

## ÁNGULO DE LIMADURA DE LA PLACA SUPERIOR

Vea la figura 51.

- **ÁNGULO CORRECTO:** 30° – Los mangos de las limas están marcados con marcas guía para



# MANTENIMIENTO

alinearse correctamente la lima con el fin de generar el ángulo correcto de la placa superior.

- MENOS DE 30° – Para corte transversal.
- MÁS DE 30° – El canto en bisel se desafiló rápidamente.

## ÁNGULO DE LA PLACA LATERAL

Vea la figura 52.

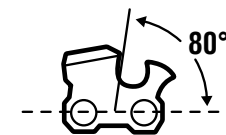
- **ÁNGULO CORRECTO:** 80° – Se genera automáticamente si se pone una lima de diámetro correcto en el mango.
- **EN FORMA DE GARFIO** – “Agarra”, se desafiló rápidamente y aumenta el peligro de un CONTRAGOLPE. Resulta de esta forma por usarse una lima de diámetro demasiado pequeño, o por sostenerse ésta muy abajo.
- **PENDIENTE HACIA ATRÁS** – Se necesita demasiada presión para avanzar el corte, causa desgaste excesivo en la barra y la cadena. Resulta de esta forma por usarse una lima de diámetro demasiado grande, o por sostenerse ésta muy alto.

## MANTENIMIENTO DEL ESPACIO LIBRE DEL CALIBRE DE PROFUNDIDAD

Vea las figuras 53 a 55.

- Mantenga los calibres de profundidad a un espacio libre de 0,6 mm (0,025 pulg.). Utilice un igualador de calibres de profundidad para verificar los espacios libres de los mismos.
- Cada vez que se lima la cadena verifique el espacio libre de los calibres de profundidad.
- Con una lima plana y un igualador de calibres de profundidad, baje de manera uniforme todos los calibres. Use un igualador de calibres x 0,6 mm (0,025 pulg.) Después de bajar cada calibre de profundidad, devuélvalos su forma original redondeando la parte frontal de los mismos. Tenga cuidado de no dañar los eslabones de impulsión adyacentes con el borde de la lima.
- Cada calibre de profundidad debe ajustarse con la lima plana, en la misma dirección en que se limó con la lima redonda el diente de corte adyacente. Tenga cuidado de no tocar la cara del diente de corte adyacente con la lima plana al ajustar los calibres de profundidad.

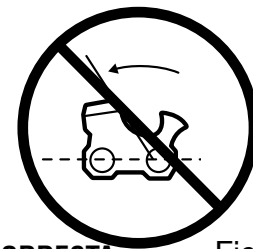
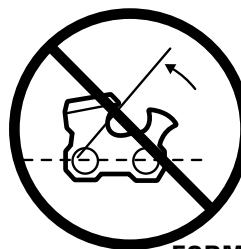
### ÁNGULO DE LIMADURA DE LA PLACA LATERAL



FORMA CORRECTA

GANCHO

PENDIENTE HACIA ATRÁS



FORMA INCORRECTA

Fig. 52

### ESPACIO LIBRE DE LOS DIENTES LIMPIADORES (CALIBRES DE PROFUNDIDAD)



Fig. 53

### IGUALADOR DE CALIBRES DE PROFUNDIDAD

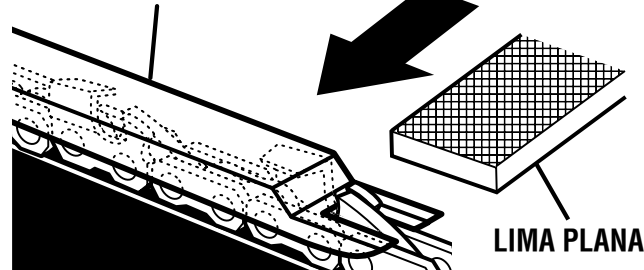
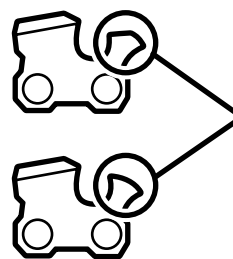


Fig. 54



RESTABLEZCA LA FORMA ORIGINAL REDONDEANDO LA PARTE FRONTAL

Fig. 55

# MANTENIMIENTO

## MANTENIMIENTO DE LA BARRA GUÍA

Vea la figura 56.

### **⚠ PRECAUCIÓN:**

Asegúrese de que se haya detenido la cadena antes de ponerse a trabajar con la cadena.

Un mantenimiento adecuado maximizará la vida útil de barra guía.

#### **Cada día de uso:**

Limpie la barra y inspeccione para ver el desgaste y los posibles daños. La formación de minúsculos surcos y protuberancias en los rieles de la barra es un proceso normal de desgaste de la misma, pero tales fallas deben alisarse con una lima tan pronto como aparezcan.

#### **Cada semana de uso:**

- Invierta la barra guía en la sierra para distribuir el desgaste.
- Lubrique la rueda dentada sobre el extremo de la barra guía utilizando una pistola de grasa en el orificio de lubricación de la rueda dentada.
- Gire la barra guía y verifique que no tengan impurezas los orificios de lubricación y la ranura de la cadena.

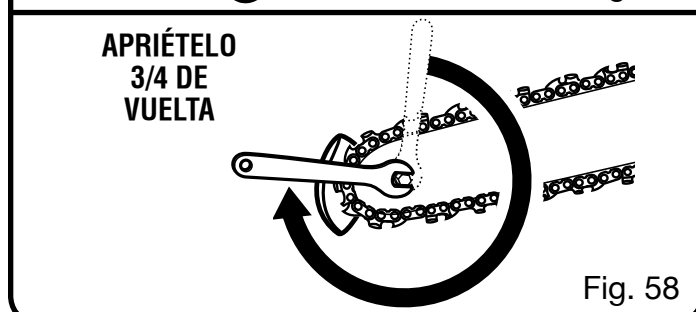
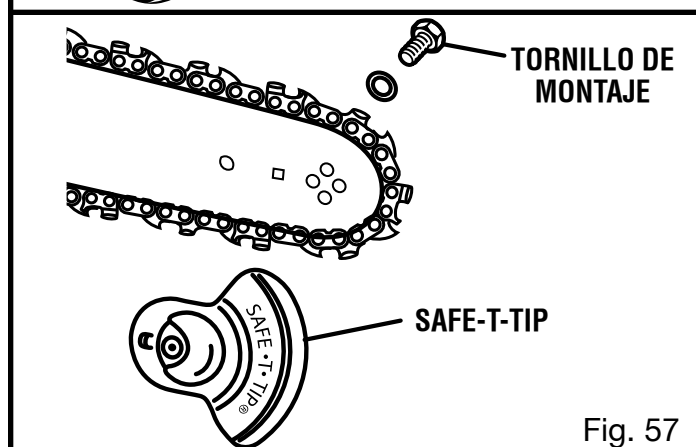
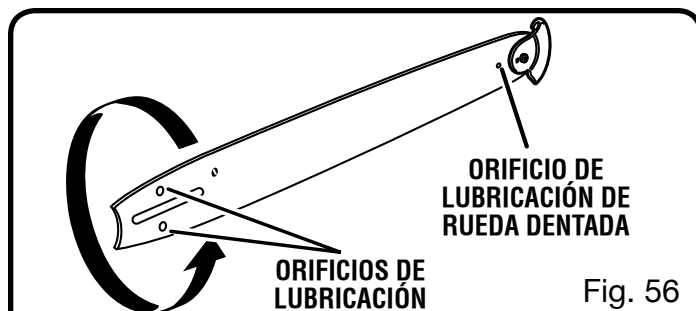
#### **Debe cambiarse toda barra que presente cualquiera de las siguientes fallas:**

- Desgaste dentro de los rieles de la barra que permite a la cadena descansar sobre su costado
- Barra guía doblada
- Rieles agrietados o rotos
- Rieles ensanchados

## MONTAJE DE LA PROTECCIÓN SAFE-T-TIP™ DE LA PUNTA

Vea las figuras 57 y 58.

- Apague el motor y desconecte el cable de la bujía.
- Monte la protección SAFE-T-TIP™ en la punta de la barra.
- Acomode la orejeta de inmovilización en el ranura en hueco de la barra guía.
- Apriete el tornillo de montaje con la llave hasta dejarlo ajustado.
- De donde quedó ajustado, con una llave apriételo 3/4 de vuelta más.



## MANTENIMIENTO DE LA PROTECCIÓN SAFE-T-TIP™ DE LA PUNTA

Vea las figuras 57 y 58.

### **⚠ PRECAUCIÓN:**

Asegúrese de que se haya detenido la cadena antes de ponerse a trabajar con la cadena.

### **⚠ ADVERTENCIA:**

Aunque la barra guía viene con una protección anticontragolpe SAFE-T-TIP™ ya montada, verifique el apriete del tornillo de montaje cada vez antes de usar la sierra.

Para apretar el tornillo de montaje de la protección de la punta, siga las instrucciones explicadas a continuación. Estos son tornillos especiales endurecidos. Si no puede apretarse el tornillo, cambie

# MANTENIMIENTO

tanto éste como la protección SAFE-T-TIP™ antes de utilizar la unidad.

**NOTA:** No sustituya el tornillo con uno ordinario. Al reemplazar piezas sólo utilice piezas de repuesto idénticas del fabricante.

Además de evitar el contacto de la cadena con objetos sólidos en la punta de la barra, la protección SAFE-T-TIP™ también ayuda a mantener la cadena alejada de superficies abrasivas, como la tierra. Manténgala en el lado derecho de la barra, entre la cadena y el suelo, durante el corte a nivel con el suelo.

El tornillo de montaje requiere una llave de tuercas de x 7,9 mm (5/16 pulg.) (o una llave ajustable) para lograr fuerza de torsión de 4 a 5 N·m (35 a 45 lb·pulg.). Puede lograrse fuerza de torsión dentro de este intervalo mediante el siguiente método.

- Apriete el tornillo con la llave hasta dejarlo ajustado.
- De donde quedó ajustado, con una llave apriételo 3/4 de vuelta más.

## LIMPIEZA DEL FILTRO DE AIRE

Veá las figuras 59 a 62.

- Presione hacia abajo la perilla de la parte superior de la tapa del filtro de aire y gire en sentido contrario a las agujas del reloj para desbloquearla. Levante la tapa en forma recta para retirarla; déjela a un lado.
- Antes de retirar el filtro de aire del carburador, elimine con aire comprimido o con cepillo tanta tierra y aserrín como sea posible del área del carburador y de la cámara de combustión.

**NOTA:** Asegúrese de que la barra del anegador esté salida para evitar la contaminación del carburador.

- Con la llave de combinación provista o un destornillador de hoja plana, retire la tornillo encargados de fijar el filtro de aire en la base.
- Acomode un destornillador de punta plana entre las orejetas y gírelo para soltarlas de la base del filtro.
- Levante el filtro de aire de su base.

**Escoja una de los siguientes métodos optativos de limpieza:**

- Para dar una limpieza leve al filtro, golpéelo ligeramente contra una superficie lisa y plana para desalojar la mayoría del aserrín y de las partículas de polvo.

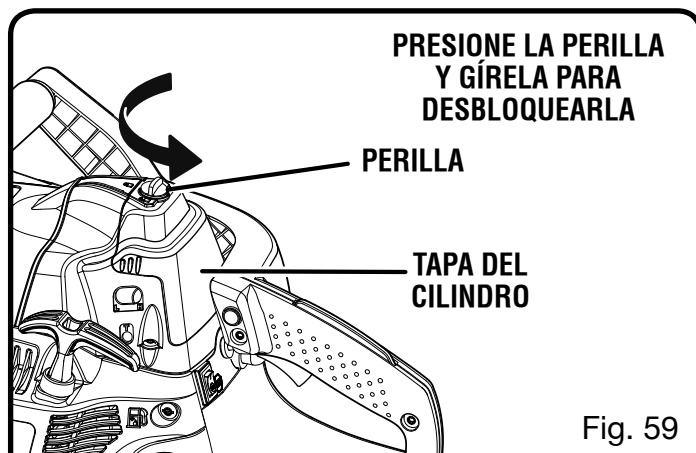


Fig. 59

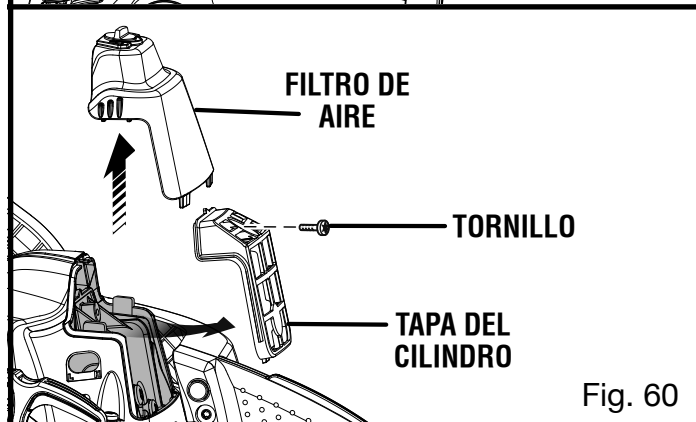


Fig. 60

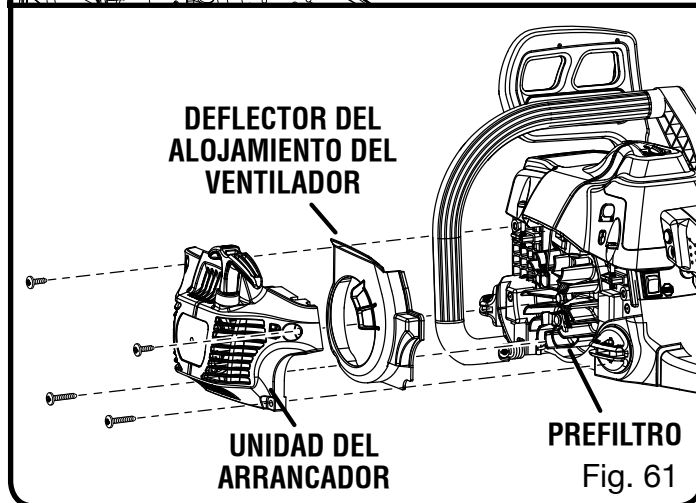


Fig. 61

- Después de cada cinco horas de funcionamiento limpie el filtro en agua jabonosa tibia, enjuáguelo y déjelo secar por completo. Reemplace el filtro con uno nuevo después de cada 25 horas de uso.

**NOTA:** Un método alternativo es limpiar el filtro con aire comprimido. Siempre póngase protección para los ojos para evitar lesiones oculares.

- Vuelva a instalar el filtro de aire y tornillo, asegurándose de que las orejetas del filtro de aire queden en los canales de la parte inferior del filtro.

# MANTENIMIENTO

- Vuelva a instalar la tapa del filtro de aire. Ejerza presión hacia abajo sobre la perilla y gírela en el sentido de las agujas del reloj para fijarla en su lugar.
- Limpie el prefiltro cada 5 horas de uso, o con mayor frecuencia, según sea necesario. Retire la tapa del cilindro, la unidad del arrancador y el deflector del alojamiento del ventilador, para tener acceso al prefiltro, en el alojamiento del motor.

**NOTA:** Si utiliza una manguera de aire para secar el filtro, sople con la misma a través de ambos lados del filtro.

## AVISO:

Asegúrese de que el filtro de aire esté colocado correctamente en la base correspondiente antes de volver a montarlos en la sierra. Nunca accione el motor sin el filtro de aire, de lo contrario, la motosierra podría sufrir daños graves.

## LIMPIEZA DE LA UNIDAD DEL ARRANCADOR

Vea la figura 63.

Con un cepillo o con aire comprimido, mantenga los respiraderos de enfriamiento de la unidad del arrancador despejados y libres de basura.

## AJUSTE DEL CARBURADOR

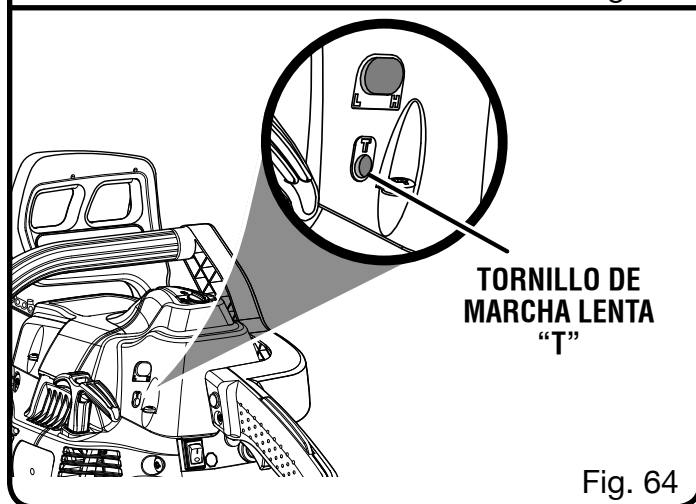
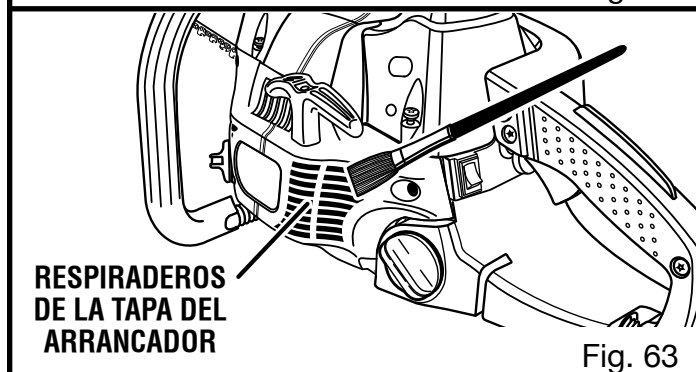
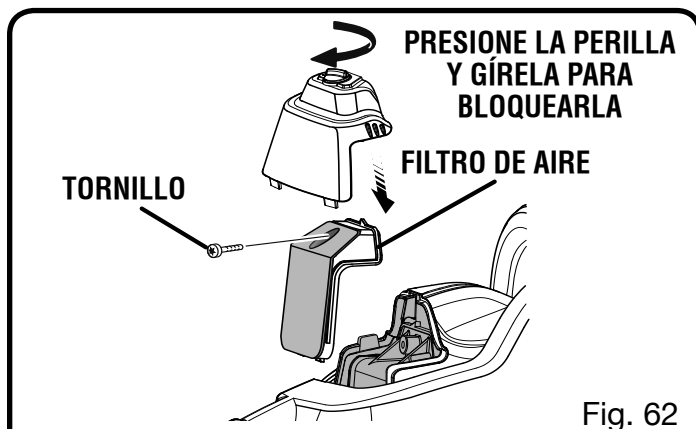
Vea la figura 63 y 64.

### ⚠ ADVERTENCIA:

La cadena se moverá alrededor de la barra guía cuando se ajuste la velocidad de marcha lenta. Utilice todas las prendas de protección y no permita la presencia de personas ajenas a la operación, niños ni mascotas a menos de 15 metros (50 pies) de distancia. Efectúe los ajustes con la unidad apoyada sobre una superficie estable de modo que la cadena/barra guía no entre en contacto con el piso ni con ningún objeto. Mantenga todas las partes del cuerpo alejadas de la cadena/barra guía y del silenciador. El incumplimiento de estas instrucciones podría causar lesiones personales de gravedad.

### Antes de ajustar el carburador:

- Con un cepillo o aire comprimido limpie las aberturas de ventilación de la tapa del arrancador.



- Limpie el filtro de aire. Consulte el apartado **Limpieza del filtro de aire** de la sección *Mantenimiento* de este manual.
- Permita que se caliente el motor antes de ajustar la velocidad de marcha lenta.

### ⚠ ADVERTENCIA:

Las condiciones del tiempo y la altitud pueden afectar la carburación. No permita la presencia de personas cerca de la motosierra mientras ajusta el carburador.

# MANTENIMIENTO

**Ajuste de marcha lenta** — El ajuste de marcha lenta sirve para controlar qué tan abierta permanece la válvula del acelerador cuando se suelta el gatillo del mismo. Para ajustar:

- Gire a la derecha el tornillo de marcha lenta “T” si desea aumentar la misma.
- Gire a la izquierda el tornillo de marcha lenta “T” si desea disminuir la misma.

## **⚠ ADVERTENCIA:**

LA CADENA DE LA SIERRA NUNCA DEBE AVANZAR AL ESTAR EL MOTOR EN MARCHA LENTA. Si la cadena se mueve al estar el motor en marcha lenta, pueden resultar lesiones corporales serias.

## **LIMPIEZA DEL MOTOR**

Vea las figuras 65 y 66.

Limpie periódicamente con aire comprimido las aletas del cilindro y las del volante. Puede causarse un recalentamiento peligroso debido a las impurezas presentes en el cilindro.

## **⚠ ADVERTENCIA:**

Nunca accione la sierra sin estar todas las partes de la misma montadas firmemente, incluida la tapa de la unidad de impulsión y el alojamiento del arrancador.

Debido a que algunas piezas pueden fracturarse y presentar el peligro de salir disparadas, deje toda reparación del volante y del embrague a los técnicos de un centro de servicio autorizado capacitados en la fábrica.

**NOTA:** Si observa alguna pérdida de potencia en la herramienta con motor de gasolina, la abertura de escape y el silenciador pueden estar obstruidos con depósitos de carbono. Puede ser necesario eliminar estos depósitos para restablecer el desempeño original de la unidad. Recomendamos enfáticamente que este servicio lo realicen únicamente técnicos de servicio calificados.

## **REVISIÓN DEL FILTRO DE COMBUSTIBLE**

Vea la figura 67.

Revise periódicamente el filtro de combustible. Si el filtro de combustible se contamina o se daña, solicite su reemplazo en un centro de servicio autorizado.

**LIMPIE LAS  
ALETAS DEL  
CILINDRO**

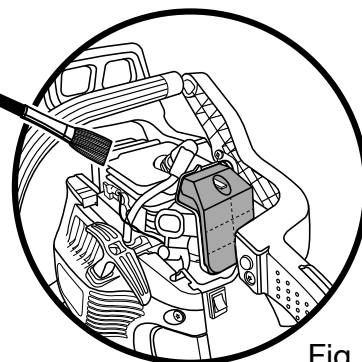


Fig. 65

**LIMPIE LAS ALETAS  
DEL VOLANTE**

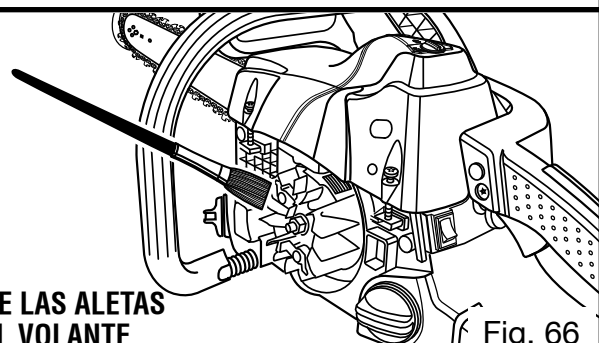


Fig. 66

**FILTRO DE  
COMBUSTIBLE**



Fig. 67

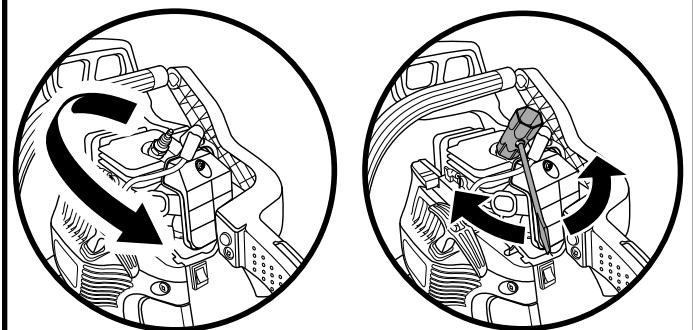


Fig. 68

## **CAMBIO DE LA BUJÍA**

Vea la figura 68.

En este motor se emplea una bujía Champion RCJ6Y con una separación interelectródica de 0,64 mm (0,025 pulg.). Cada 50 horas, o con mayor frecuencia si es necesario, ponga una bujía nueva exactamente igual a la original.

# MANTENIMIENTO

## AVISO:

Deje que el motor se enfríe antes de retirar la bujía. Si retira la bujía con el motor caliente puede provocar daños graves en la motosierra.

- Afloje la bujía; para ello, gírela hacia la izquierda con de la llave de combinación provista, o otra llave de cubo adecuada.
- Retire la bujía.
- Enrosque la nueva bujía con la mano, girándola hacia la derecha. Apriétela firmemente con una llave.

**NOTA:** Tenga cuidado de no estropear la rosca de la bujía. Si se estropea la rosca de la bujía, resultará seriamente dañado el cilindro.

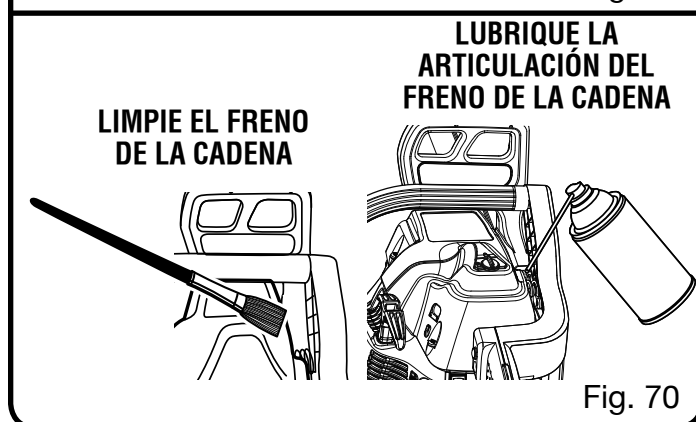
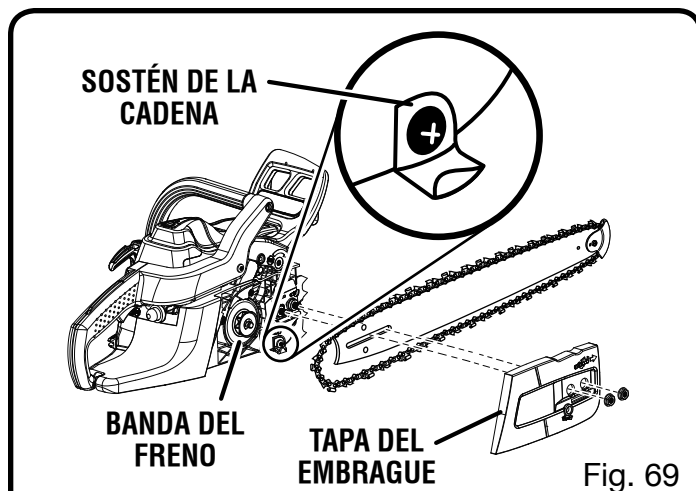
## LIMPIEZA DEL ORIFICIO DE ESCAPE Y DEL SILENCIADOR

### AVISO:

Este producto cuenta con un parachispas que ha sido evaluado por el Servicio Forestal del Departamento de Agricultura de EE. UU., sin embargo los usuarios del producto deben cumplir con los reglamentos de prevención de incendios locales, estatales y federales. Consulte a las autoridades que correspondan. Póngase en contacto con el servicio al cliente o un centro de servicio calificado para comprar un parachispas de repuesto.

**NOTA:** Dependiendo del tipo de combustible utilizado, el tipo y la cantidad de lubricante utilizado, o las condiciones de funcionamiento en particular, la abertura de escape, el silenciador y/o el parachispas pueden resultar obstruidos con depósitos de carbón. Si observa alguna pérdida de potencia en su herramienta con motor de gasolina, quizá sea necesario eliminar dichos depósitos para restaurar el rendimiento. Recomendamos enfáticamente que este servicio lo realicen únicamente los técnicos de servicio calificados.

Es necesario limpiar o reemplazar el parachispas cada 50 horas o anualmente para asegurarse del buen funcionamiento de la unidad. Los parachispas pueden estar instalados en diferentes posiciones dependiendo del modelo del cual se trate. Comuníquese con el establecimiento de servicio más cercano para confirmar la ubicación del parachispas para su modelo específico.



### ⚠ ADVERTENCIA:

Nunca utilice la motosierra sin un silenciador equipado con un amortiguador de chispas en el lugar. De lo contrario puede producirse un incendio, con el consiguiente riesgo de lesiones serias.

## INSPECCIÓN Y LIMPIEZA DEL FRENO DE LA CADENA

Vea las figuras 69 y 70.

- Retire la tapa del embrague y limpie los componentes del freno de la cadena. Revise el desgaste de la banda del freno y cámbiela si está desgastada o deforme. El espesor mínimo de la banda debe ser 0,61 mm (0,024 pulg.), o un desgaste máximo hasta la mitad del espesor original.
- Siempre mantenga el mecanismo del freno de la cadena limpio, y cepillo ligeramente la articulación.
- Siempre pruebe el freno de la cadena antes de efectuar cualquier tarea de limpieza de la unidad. Consulte el apartado **Funcionamiento del freno de la cadena**, donde encontrará información adicional.

# MANTENIMIENTO

- Revise el sostén de la cadena y cámbielo si está dañado.

## ADVERTENCIA:

Incluso con la limpieza diaria del mecanismo, no puede certificarse la seguridad del freno de la cadena en las condiciones de uso en el campo. Mantenga la protección SAFE-T-TIP™ de la punta puesta en la barra guía y aplique técnicas de corte adecuadas.

## ALMACENAMIENTO DE LA PRODUCTO

- Limpie todo material extraño de la producto. Almacene la unidad en un espacio bien ventilado inaccesible a los niños. Evite que la unidad entre en contacto con agentes corrosivos como las sustancias químicas para el jardín y las sales para derretir el hielo.
- Cumpla todos los reglamentos federales y municipales para el almacenamiento y manejo seguro de la gasolina.

### Al almacenar 1 mes o más:

- Drene todo el combustible del tanque en un recipiente de uso aprobado para gasolina.
- Ponga a funcionar el motor hasta que se apague por sí mismo. De esta manera se elimina toda la mezcla de combustible y lubricante que pudiera

deteriorarse, para luego dejar barniz y goma en el sistema de combustible.

- Oprima varias veces la bomba de cebado para purgar el combustible del carburador.
- Drene todo el lubricante de la barra y la cadena en un recipiente aprobado para aceite.
- Nunca olvide colocar la funda sobre la barra guía y la cadena antes de transportar o guardar la unidad.

## OPERACIÓN DEL MOTOR A ALTITUDES ELEVADAS

Lleve este equipo a un centro de servicio técnico autorizado para que ajusten este motor en caso de que se lo deba hacer funcionar a más de 609,6 metros (2000 pies) de altura. De no hacerlo, el rendimiento del motor podría ser deficiente y se generaría un mayor nivel de emisiones contaminantes. Un motor ajustado para altitudes elevadas no puede hacerse funcionar a una altura inferior a los 609,6 metros (2000 pies). De hacerlo, el motor se sobrecalentará y sufrirá graves daños. Lleve todo motor que haya sido modificado para funcionar a altitudes elevadas a un centro de servicio técnico autorizado para que restauren las condiciones de las especificaciones de fábrica originales antes de hacerlo funcionar a menos de 609,6 metros (2000 pies) de altura.

### PROGRAMA DE MANTENIMIENTO

Pieza de mantenimiento	Inspeccionar cada vez antes de usar la unidad	Limpiar cada 5 horas de uso	Reemplazar cada 25 horas de uso o cada año	Reemplácelo cada 50 Horas
* CONJUNTO DE SILENCIADOR .....				X
PANTALLA PARACHISPAS .....				X
* CONJUNTO DEL FILTRO DE AIRE				
incluye:				
Filtro .....				X
* CONJUNTO DEL CARBURADOR				
incluye:				
Juntas .....				X
* CONJUNTO DEL TANQUE DE COMBUSTIBLE				
incluye:				
Conductos de combustible .....				X
Tapa del tanque de combustible .....				X
Filtro de combustible .....				X
* CONJUNTO DEL ENCENDIDO				
incluye:				
Bujía .....				X
* <b>AVISO:</b> EL USO DE COMPONENTES DE CONTROL DE EMISIONES QUE NO SEAN LOS DISEÑADO PARA ESTA UNIDAD INFRINGE LA LEGISLACIÓN FEDERAL.				

# COMBINACIONES DE BARRA Y CADENA

Especificaciones de la cadena: 8,3 mm (0,325 pulg.) de paso, 1,3 mm (0,05 pulg.) de calibre

Longitud barra	Núm. pieza barra guía	Núm. pieza cadena	Eslabones de impulsión
50 cm (20 pulg.)	310629001	900920027	78

## SOLUCIÓN DE PROBLEMAS

Problema	Causa posible	Solución
El motor no arranca. [Asegúrese de que el interruptor de encendido/apagado esté en la posición de <b>FUNCIONAMIENTO</b> ( I ).]	No hay chispa.  Está ahogado el motor.	Limpie o reemplace la bujía, según sea necesario. Reajuste la separación interelectrónica de la bujía. Consulte la sección <b>Reemplazo de la bujía</b> más arriba en este manual.  Retire la bujía. Coloque la palanca del anegador en la posición de <b>MARCHA</b> (hasta el fondo y tire de la cuerda de arranque de 15 a 20 veces. De esta manera se elimina el exceso de combustible del motor. Limpie la bujía y vuelva a instalarla. Oprima y suelte totalmente diez veces la bomba de cebado. Tire del mango del arrancador y cuerda tres veces con la palanca del anegador en la posición de <b>FUNCIONAMIENTO</b> . Si no arranca el motor, ponga la palanca del anegador en <b>ANEGACIÓN MÁXIMA</b> y repita el procedimiento normal de arranque. Si aún no arranca el motor, repita el procedimiento con una bujía nueva.
El motor arranca, pero no acelera adecuadamente.	La aguja "L" (inyección moderada) del carburador necesita un ajuste.	Lleve la unidad a un centro de servicio autorizado para darle un ajuste al carburador.
El motor arranca y luego se apaga.	La aguja "L" (inyección moderada) del carburador necesita un ajuste.	Lleve la unidad a un centro de servicio autorizado para darle un ajuste al carburador.
El motor arranca, pero no funciona adecuadamente a alta velocidad.	La aguja "H" (inyección intensa) del carburador necesita un ajuste.	Lleve la unidad a un centro de servicio autorizado para darle un ajuste al carburador.
El motor no alcanza la máxima velocidad y/o despide demasiado humo.	Está incorrecta la mezcla de lubricante y combustible.  Está sucio el filtro de aire.  Está sucia la pantalla parachispas.  La aguja "H" (inyección intensa) del carburador necesita un ajuste.	Use combustible nuevo y la proporción correcta de mezcla con lubricante para motor de dos tiempos.  Limpie el filtro de aire. Consulte el apartado Limpieza del filtro de aire en la sección Mantenimiento de este manual.  Limpie la pantalla parachispas. Consulte el apartado Inspección y limpieza de la pantalla parachispas en la sección Mantenimiento de este manual.  Lleve la unidad a un centro de servicio autorizado para darle un ajuste al carburador.



# SOLUCIÓN DE PROBLEMAS

Problema	Causa posible	Solución
El motor arranca, funciona y acelera, pero no puede ponerse en marcha lenta.  La cadena avanza estando el motor en marcha lenta.	Es necesario ajustar la marcha lenta en el carburador.  Es necesario ajustar la marcha lenta en el carburador.  Hay una fuga de aire en el sistema de admisión.	Gire hacia la derecha el tornillo de marcha lenta "T" para aumentar la misma. Consulte el apartado <b>Ajuste del carburador</b> de la sección <i>Mantenimiento</i> de este manual.  Gire hacia la izquierda el tornillo de marcha lenta "T" para disminuir la misma. Consulte el apartado <b>Ajuste del carburador</b> de la sección <i>Mantenimiento</i> de este manual.  Comuníquese con un centro de servicio autorizado para ver la posibilidad de instalar un carburador reconstruido.
La barra y la cadena están muy calientes y despiden humo.	Está vacío el tanque de aceite de la cadena.  Demasiada tensión en la cadena.  No está funcionando el lubricador.	El tanque de aceite debe llenarse cada vez que se llena el de combustible.  Tense la cadena según las instrucciones indicadas en el apartado <b>Ajuste de la tensión de la cadena</b> en la sección <i>Mantenimiento</i> de este manual.  Accione el motor a media aceleración de 30 a 45 segundos. Detenga la sierra y revise para ver si hay señales de goteo de aceite por la protección SAFE-T-TIP™ y por la barra guía. Si hay aceite presente, es posible que esté desafilada la cadena o que esté dañada la barra. Si no hay lubricante presente en la protección SAFE-T-TIP™, comuníquese con un centro de servicio autorizado.
El motor arranca y funciona, pero la cadena no avanza.	Está puesto el freno de la cadena.  Demasiada tensión en la cadena.  No están bien ensambladas la barra guía y la cadena.  Están dañadas la barra guía y/o la cadena.  Está dañada la rueda dentada de impulsión.	Suelte el freno de la cadena. Consulte el apartado <b>Funcionamiento del freno de la cadena</b> en la sección <i>Mantenimiento</i> de este manual.  Tense la cadena según las instrucciones indicadas en el apartado <b>Ajuste de la tensión de la cadena</b> en la sección <i>Mantenimiento</i> de este manual.  Consulte el apartado <b>Reemplazo de la barra guía y la cadena</b> en la sección <i>Mantenimiento</i> de este manual.  Inspeccione la barra guía y la cadena para ver si están dañadas.  Lleve la unidad a un centro de servicio autorizado para reemplazar la rueda dentada.

Si el problema persiste después de probar las soluciones mencionadas arriba, contacto con el servicio al cliente o con un centro de servicio calificado para solicitar asistencia.

## AVISO:

Como propietario equipo, usted es responsable de la que realice el mantenimiento obligatorio que se indica en la sección *Mantenimiento*. Le recomendamos que guarde todos los comprobantes relacionados con el mantenimiento de su equipo. Negligencia o falta del mantenimiento indicado puede aumentar las emisiones, reducir la eficiencia del combustible, perjudicar el funcionamiento, provocar daños irreversibles al motor y anulará su garantía.

# GARANTÍA

## DECLARACIÓN DE LA GARANTÍA LIMITADA

Techtronic Industries North America, Inc. garantiza al comprador original al menudeo que este producto de la marca RYOBI® carece de defectos en los materiales y en la mano de obra, y acuerda reparar o reemplazar, a la sola discreción de Techtronic Industries North America, Inc., cualquier producto defectuoso, sin cargo alguno al comprador, dentro de los siguientes períodos de tiempo a partir de la fecha de compra.

- Tres años si los productos se emplean para uso personal, familiar o casero;
- 90 días si el producto se emplea para cualquier otro propósito, como el uso comercial o el de alquiler.

Esta garantía se otorga solamente al comprador original al menudeo, y comienza en la fecha de la compra original al menudeo.

Cualquier parte de este producto Techtronic Industries North America, Inc. que, a juicio razonable de la compañía, tenga defectos en los materiales o en la mano de obra, será reparado o reemplazado por un centro de servicio autorizado de herramientas para uso en el exterior de la marca RYOBI®, sin cargo alguno al comprador por concepto de piezas y mano de obra (Centro de Servicio Autorizado Ryobi).

El producto, incluida toda pieza defectuosa, debe enviarse a un centro de servicio autorizado Ryobi dentro del período de la garantía. El gasto de enviar el producto al centro de servicio para cualquier trabajo cubierto por la garantía, así como el gasto de devolverlo al propietario después de la reparación, correrán por cuenta del propietario. La responsabilidad de Techtronic Industries North America, Inc. con respecto a todo reclamo se limita a las reparaciones o reemplazo del producto, y ningún reclamo de incumplimiento de la garantía será causante de la cancelación o rescisión del contrato de venta de ninguna herramienta de uso en el exterior de la marca RYOBI®. En el establecimiento se requerirá el recibo de compra para respaldar cualquier reclamo al amparo de la garantía. Todo trabajo cubierto en la garantía debe ser realizado por un concesionario de servicio autorizado.

Esta garantía se limita a noventa (90) días a partir de la fecha original de la compra de cualquier herramienta de uso en el exterior de la marca RYOBI® empleada para propósitos comerciales o de alquiler, o cualquier otro propósito generador de ingresos.

Esta garantía no cubre ningún producto que haya sido sujeto a un uso indebido, maltrato, negligencia o accidente, o que haya sido utilizado de cualquier forma contraria a las instrucciones de manejo especificadas en el manual del operador del producto. Esta garantía no aplica a ningún daño en el producto que resulte de un mantenimiento indebido ni a ningún producto que haya sido alterado o modificado. La garantía no cubre ninguna reparación necesaria por el uso normal ni por el uso de piezas o accesorios que sean incompatibles con la herramienta para uso exterior de la marca RYOBI®, o afecten de forma desfavorable su funcionamiento, desempeño o durabilidad.

Además, esta garantía no cubre:

A. Afinación – Bujías, carburador, ajustes del carburador, encendido, filtros

B. Artículos sujetos a desgaste – Perillas de tope, carretes exteriores, hilos de corte, carretes interiores, poleas del arrancador, cuerdas del arrancador, correas de transmisión, aspas, arandelas de fieltro y pasadores de enganche, hojas de triturar, ventiladores de sopladoras, tubos de sopladoras y de aspiradoras, sacos y correas de aspiradoras, barras guía y cadenas de sierras

Techtronic Industries North America, Inc. se reserva el derecho a cambiar o mejorar el diseño de cualquier herramienta para uso en el exterior de la marca RYOBI® sin asumir ninguna obligación de modificar ningún producto fabricado previamente.

TODAS LAS GARANTÍAS IMPLÍCITAS ESTÁN LIMITADAS EN DURACIÓN SEGÚN EL PERÍODO DE GARANTÍA DECLARADA. POR CONSIGUIENTE, CUALQUIER GARANTÍA IMPLÍCITA, INCLUSO LAS DE COMERCIABILIDAD, IDONEIDAD PARA UN PROPÓSITO EN PARTICULAR, O DE CUALQUIER TIPO, PIERDEN TOTALMENTE SU VALIDEZ DESPUÉS DEL VENCIMIENTO DEL PERÍODO DE GARANTÍA CORRESPONDIENTE DE TRES AÑOS O NOVENTA DÍAS. DE CONFORMIDAD CON ESTA GARANTÍA, LA OBLIGACIÓN DE TECHTRONIC INDUSTRIES NORTH AMERICA, INC. SE LIMITA ESTRICTA Y EXCLUSIVAMENTE A LA REPARACIÓN O REPLAZO DE LAS PIEZAS DEFECTUOSAS, Y TECHTRONIC INDUSTRIES NORTH AMERICA, INC. NO ASUME NINGUNA OTRA OBLIGACIÓN, NI AUTORIZA A NADIE ASUMIRLA A NOMBRE DE DICHA COMPAÑÍA. ALGUNOS ESTADOS NO PERMITEN LIMITACIONES EN CUANTO A LA DURACIÓN DE UNA GARANTÍA IMPLÍCITA, POR LO CUAL ES POSIBLE QUE LA LIMITACIÓN ANTERIOR NO SE APLIQUE EN EL CASO DE USTED. TECHTRONIC INDUSTRIES NORTH AMERICA, INC. NO ASUME NINGUNA RESPONSABILIDAD POR DAÑOS DIRECTOS, INDIRECTOS O DE NINGÚN OTRO TIPO, COMO EL GASTO DE ENVIAR EL PRODUCTO A UN CENTRO DE SERVICIO AUTORIZADO RYOBI Y EL GASTO DE ENVIARLO DE ALLÍ AL PROPIETARIO, EL TIEMPO DE VIAJE DEL MECÁNICO, CARGOS TELEFÓNICOS O TELEGRÁFICOS, ALQUILER DE UN PRODUCTO SUSTITUTO DURANTE EL TIEMPO DE REALIZACIÓN DEL SERVICIO DE LA GARANTÍA, VIAJES, PÉRDIDA O DAÑOS A OBJETOS DE PROPIEDAD PERSONAL, PÉRDIDA DE INGRESOS, PÉRDIDA DEL USO DEL PRODUCTO, PÉRDIDA DE TIEMPO O INCONVENIENTES. EN ALGUNOS ESTADOS NO SE PERMITE LA EXCLUSIÓN O LIMITACIÓN DE DAÑOS DIRECTOS O INDIRECTOS, POR LO CUAL ES POSIBLE QUE LA LIMITACIÓN O EXCLUSIÓN DESCRITA ARRIBA NO SE APLIQUE EN SU CASO.

Esta garantía le confiere derechos legales específicos, y es posible que usted goce de otros derechos, los cuales pueden variar de estado a estado.

Esta garantía se aplica a todas las herramientas para uso en el exterior de la marca RYOBI® fabricadas por Techtronic Industries North America, Inc. y vendidos en Estados Unidos y Canadá.

Para encontrar el centro de servicio autorizado Ryobi más cercano a usted, llame al 1-800-860-4050.





# OPERATOR'S MANUAL

## MANUEL D'UTILISATION/MANUAL DEL OPERADOR

### RY5020 / 20 in. 50cc Chain Saw

Scie à chaîne de 50 cc de 50 cm (20 po) / Motosierra de 50 cm (20 pulg.), 50 cc

• **PARTS AND SERVICE:** Prior to requesting service or purchasing replacement parts, please obtain your item, manufacturing, and serial numbers from the product data plate.

ITEM NO. \_\_\_\_\_

MANUFACTURING NO. \_\_\_\_\_

SERIAL NO. \_\_\_\_\_

**HOW TO OBTAIN REPLACEMENT PARTS:** Replacement parts can be purchased online at [www.ryobitools.com](http://www.ryobitools.com) or by calling 1-800-860-4050. Replacement parts can also be obtained at one of our service centers.

**HOW TO LOCATE A SERVICE CENTER:** Service centers can be located online at [www.ryobitools.com](http://www.ryobitools.com) or by calling 1-800-860-4050.

**HOW TO OBTAIN CUSTOMER OR TECHNICAL SUPPORT:** To obtain customer or technical support please contact us at 1-800-860-4050.

RYOBI is a registered trademark of Ryobi Limited and is used pursuant to a license granted by Ryobi Limited.

• **PIÈCES ET SERVICE :** Avant de faire la demande de service ou l'achat de pièces de remplacement, veuillez obtenir le numéro d'article, le numéro de fabrication et le numéro de série à partir de la plaque de données du produit.

NUMÉRO D'ARTICLE \_\_\_\_\_

NUMÉRO DE FABRICATION \_\_\_\_\_

NUMÉRO DE SÉRIE \_\_\_\_\_

**COMMENT OBTENIR LES PIÈCES DE REMPLACEMENT :** Les pièces de remplacement peuvent être achetées en ligne sur le site [www.ryobitools.com](http://www.ryobitools.com) ou par téléphone au 1-800-860-4050. Les pièces de remplacement peuvent être obtenues à un de nos centres de service.

**COMMENT TROUVER UN CENTRE DE SERVICE :** Les centres de service peuvent être localisés en ligne au [www.ryobitools.com](http://www.ryobitools.com) ou en téléphonant au 1-800-860-4050.

**COMMENT OBTENIR DE L'AIDE EN CONTACTANT LE SERVICE À LA CLIENTÈLE :** Pour contacter le service à la clientèle pour une question technique ou pour tout autre renseignement, veuillez nous téléphoner au 1-800-860-4050.

RYOBI est une marque déposée de Ryobi Limited et est utilisée en vertu d'une licence accordée par Ryobi Limited.

• **PIEZAS DE REPUESTO Y SERVICIO:** Antes de solicitar servicio técnico o comprar piezas de repuesto, obtenga su número de artículo, el número de fabricación y el número de serie de la placa de datos del producto.

NÚMERO DE ARTÍCULO \_\_\_\_\_

NÚMERO DE FABRICACIÓN \_\_\_\_\_

NÚMERO DE SERIE \_\_\_\_\_

**CÓMO OBTENER PIEZAS DE REPUESTO:** Las piezas de repuesto se pueden comprar en nuestro sitio en la red mundial, en la dirección [www.ryobitools.com](http://www.ryobitools.com) o llamando al 1-800-860-4050. Las piezas de repuesto también se pueden obtener en uno de nuestros centros de servicio.

**CÓMO LOCALIZAR UN CENTRO DE SERVICIO:** Puede encontrar los centros de servicio visitando nuestro sitio en la red mundial, en la dirección [www.ryobitools.com](http://www.ryobitools.com) or by calling 1-800-860-4050.

**CÓMO OBTENER SERVICIO O ASISTENCIA TÉCNICA AL CONSUMIDOR:** Para obtener servicio o asistencia técnica al consumidor, sírvase comunicarse con nosotros llamando al 1-800-860-4050.

RYOBI es una marca registrada de Ryobi Limited y se utiliza conforme a una licencia otorgada por Ryobi Limited.

## TECHTRONIC INDUSTRIES POWER EQUIPMENT

1428 Pearman Dairy Road, Anderson, SC 29625 USA

1-800-860-4050 • [www.ryobitools.com](http://www.ryobitools.com)

995000360

2-16-18 (REV:01)