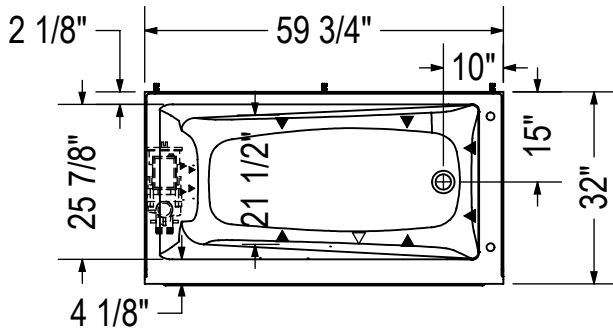
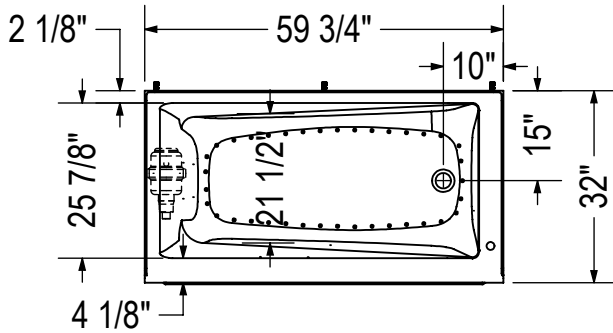


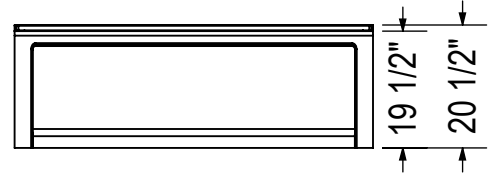
MICRO-JETS SYSTEM



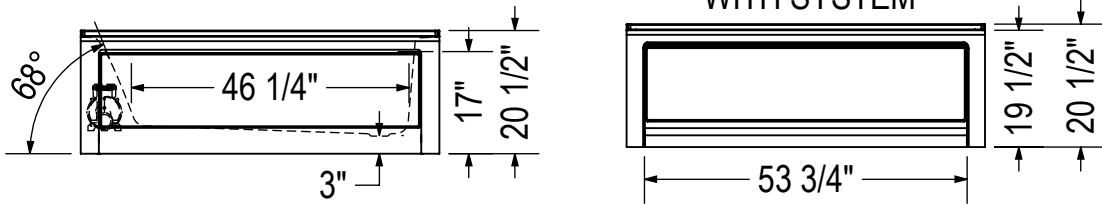
AIR SYSTEM



WITHOUT SYSTEM



WITH SYSTEM



- (▲) : Indicates whirlpool and backjets positioning
- (△) : Indicates suction positioning
- (●) : Indicates airjets positioning

All dimensions are approximate. Structure measurements must be verified against the unit to ensure proper fit.