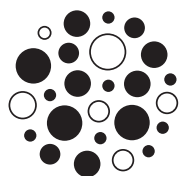


11" x 8.5" (27.94cm x 21.59)



ORDER™  
HOME COLLECTION

# over-the-door METAL RACK

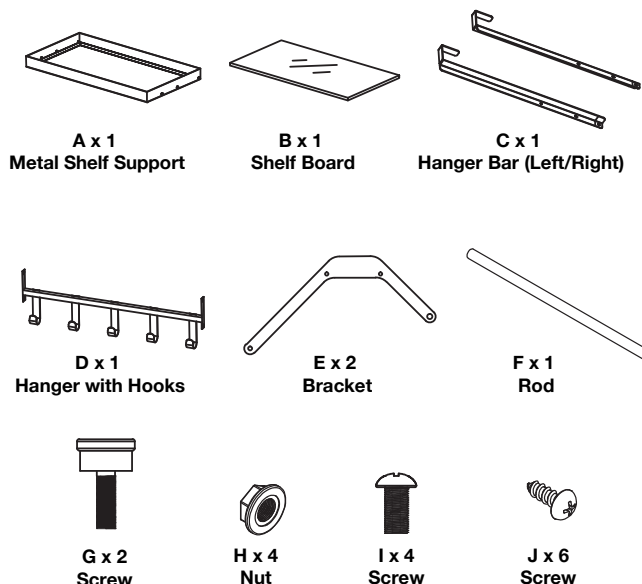


Convenient and stylish  
solution for your garments  
and accessories

## ⚠️ WARNING!

- Mounting the over-the-door metal rack is the owner's sole responsibility. If you are not comfortable and experienced with mounting, please consult a professional.
- Keep out of reach of children, this item is not a toy.
- To avoid a tipping hazard never hang or climb on this item.
- Do not use the product for anything other than its intended purpose.
- If this product appears cracked or broken in any way, discontinue use and discard immediately.

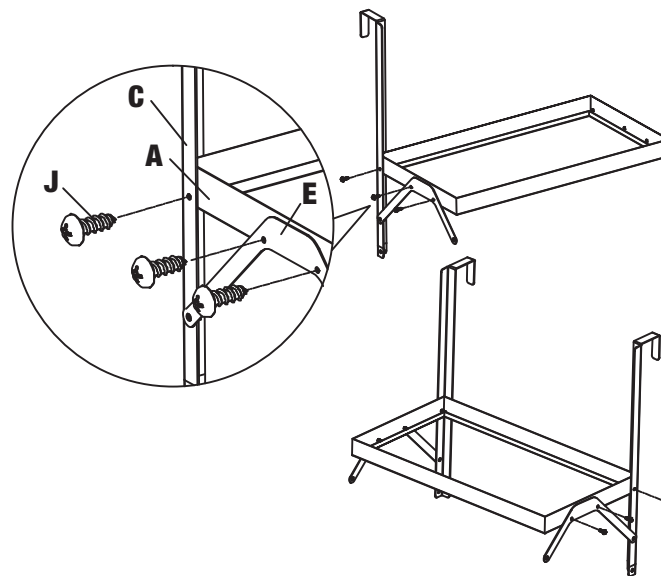
## PARTS LIST:



\*Phillips head screwdriver is needed but not included.

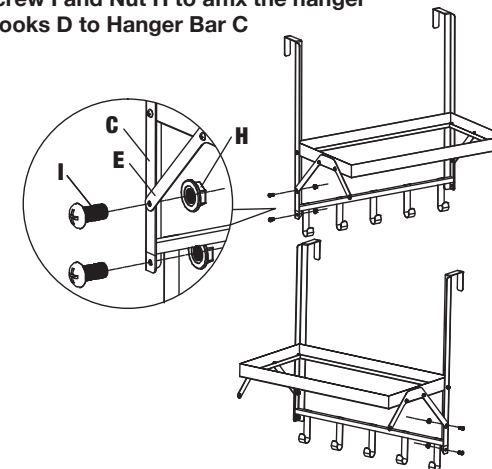
## ASSEMBLY INSTRUCTIONS:

**Step 1:**  
Attach Shelf Support A and Hanger Bar C using Screw J  
Fix Brackets E to the Shelf Support using Screw J

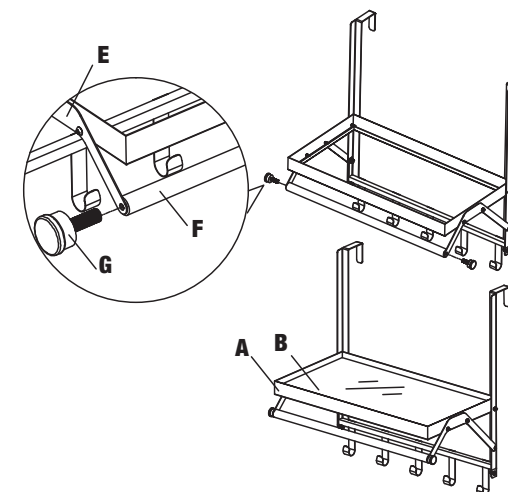


## ASSEMBLY INSTRUCTIONS:

**Step 2:**  
Use Screw I and Nut H to affix the hanger  
with Hooks D to Hanger Bar C



**Step 3:**  
Assemble Hanging Rod F using Screw G  
Rest Shelf Board B onto Shelf Support A



## IMPORTANT!

Please read prior to use. This over-the-door metal rack is designed for indoor use only. Do not overload: weight capacity of up to 10lbs for the shelf and 3lbs per steel hook. Keep away from heat sources such as heaters and fireplaces.

©2015 Cohesion Products, LLC. Order, Order Home Collection and all associated logos are trademarks used under license. All rights reserved.

Distributed by Cohesion Products, LLC, Irving, TX 75063.

Printed in China

For customer support, please visit [www.msccustomer care.com](http://www.msccustomer care.com) or call 1-800-374-2744.