

Setup

Material Preparation:

Make sure the material you plan on using is thoroughly stirred and free from debris. Strain if necessary. Any impurities in the material can cause clogs in the pump system or roller assembly.

Note: The SideKick™ Roller can be used with any type of one-gallon or five-gallon paint container.



Scan this QR code with your mobile device and you will be directed to a video on how to set up your Power Roller.

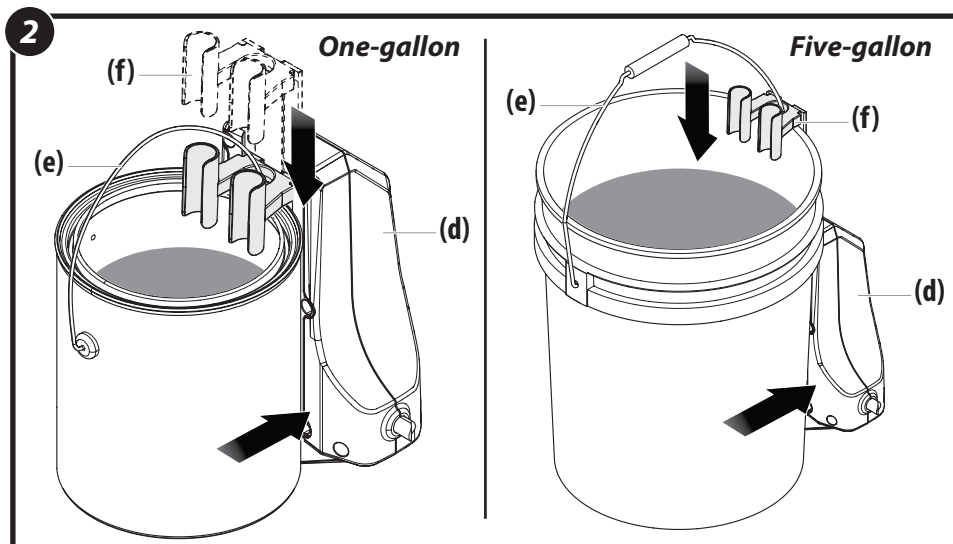
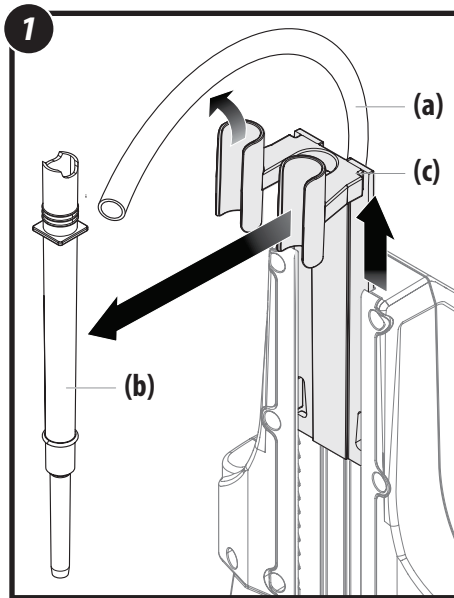
Setup:

1. Pull the suction tube (a) and extension (b) from their place holders. This will allow the tube guide to move more easily.
Lift the suction tube guide (c) to provide clearance for the material container.
2. Position the material container next to the pump assembly (d) as shown. The container handle (e) should be vertical and placed in between the suction tube guide and the extension holder.
Slide the suction tube guide (f) down until it touches the top of the material container.

Note: The container is now secured to the pump and the entire unit can be carried by the container handle.

IMPORTANT: The container handle must be placed between the suction tube guide and the extension holder, or the container will tip when carried due to the added weight of the pump assembly.

Continued on next page.



Setup (continued)

3. **If using a five-gallon container,** insert the small end of the extension into the suction tube.
4. Place the suction tube back into position in the suction tube guide. Make sure the tube (or the extension) reaches the bottom of the material container.
5. Press the quick-release tabs on the handle and attach the roller arm assembly to the handle.
6. If you want to use an extension, a standard, household broom handle or other threaded extension can be threaded into the roller handle as shown.

