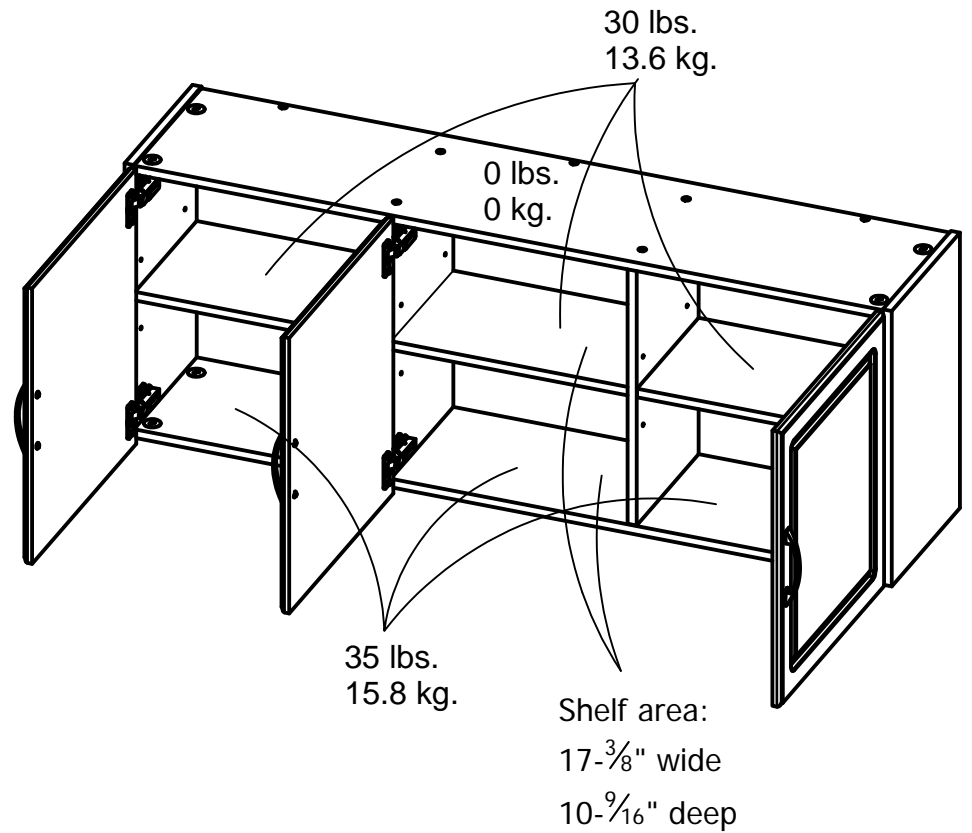
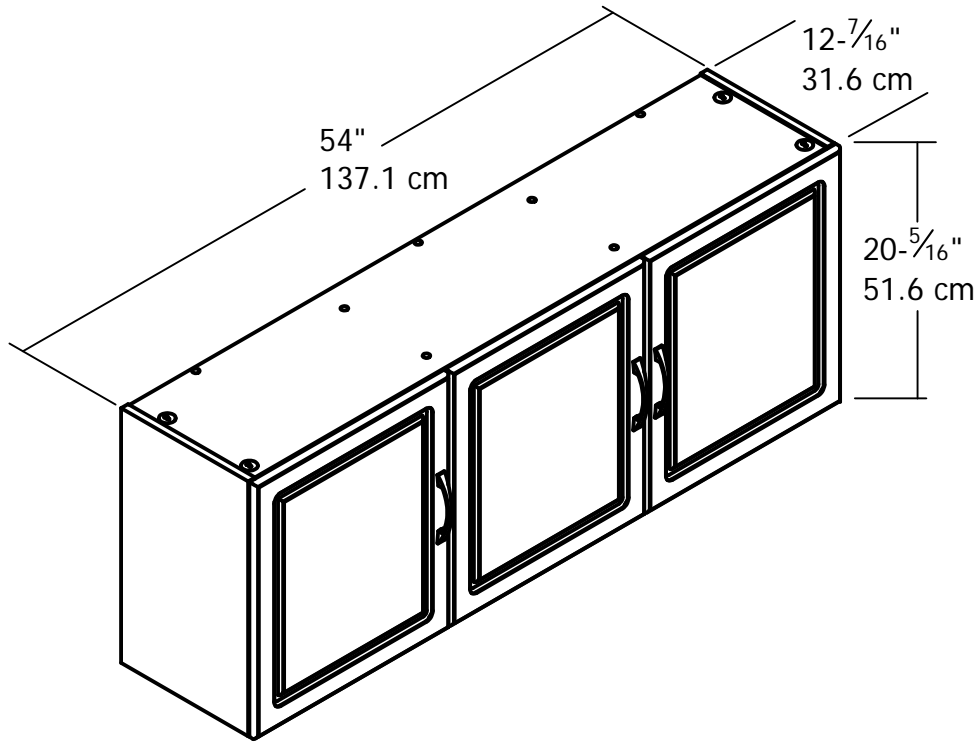


UNIT DESCRIPTION

54 inch WALL CABINET

ASSEMBLED DIMENSIONS (H X W X D)

20-⁵/₁₆in. H x 54 in. W x 12- ⁷/₁₆ in. D
 51.6 cm H x 137.1 cm W x 31.6 cm D



FINISH: (401) WHITE AQUASEAL
 (403) ONTARIO WHITE
 WEIGHT: 76.5 LBS (34.70 KG)