

Bold 3.0 Series



Warning: Excessive weight hazard!

Use two or more people to move, assemble or install cabinets and locker to avoid back injury.

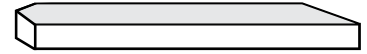
Do not leave children unattended near cabinets. High risk of tipping if cabinets are installed incorrectly: securely attach cabinets to the wall to avoid serious injury.

For assistance, call 1.877.306.8930; for UK 0800.031.4069; e-mail at info@newageproducts.com

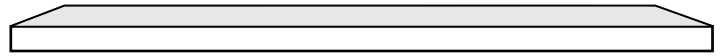
INDEX

Index - 2
Guidelines and weight capacity - 3
Parts list - 3
Tools needed - 5
Warranty - 5
Attaching feet - 6
Attaching casters - 7
Removing and inserting drawers - 8
Installing corner cabinet - 9
Stacking cabinets - 10
Installing worktop support bracket - 11
Attaching worktop(on 2 cabinets) - 12
Installing shelves - 13
Securing cabinets to drywall/stud wall -14
Hanging cabinets on slatwall - 15
Fastening cabinets together - 16
Attaching light valance - 18
Utility hole - 19

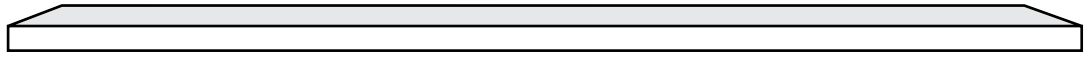
Worktop



21" Corner Worktop

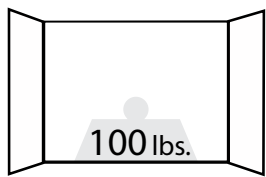


48" Worktop. Fits over 2 Cabinets

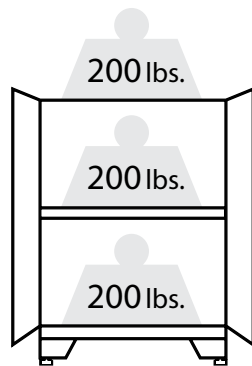


72" Worktop. Fits over 3 Cabinets

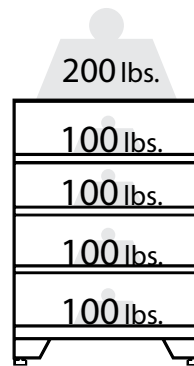
Weight Capacity



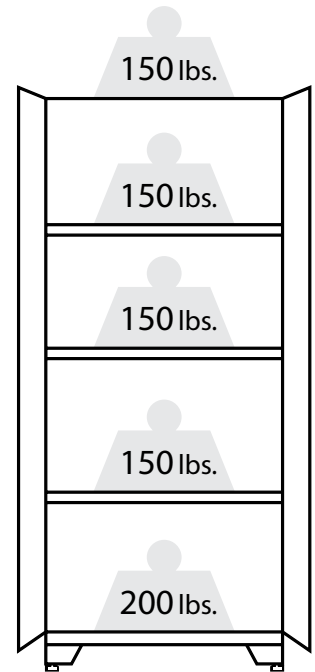
Wall Cabinets
Max 100 lbs.



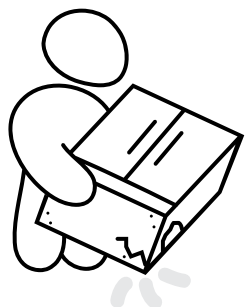
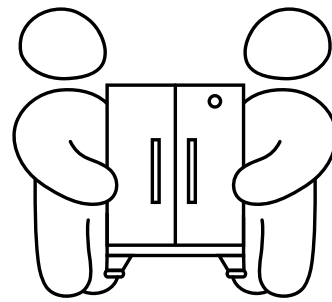
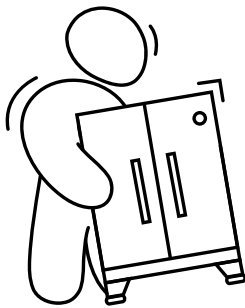
Base Cabinets
Max 600 lbs.



Tool Cabinets
Max 600 lbs.



Lockers
Max 800lbs.

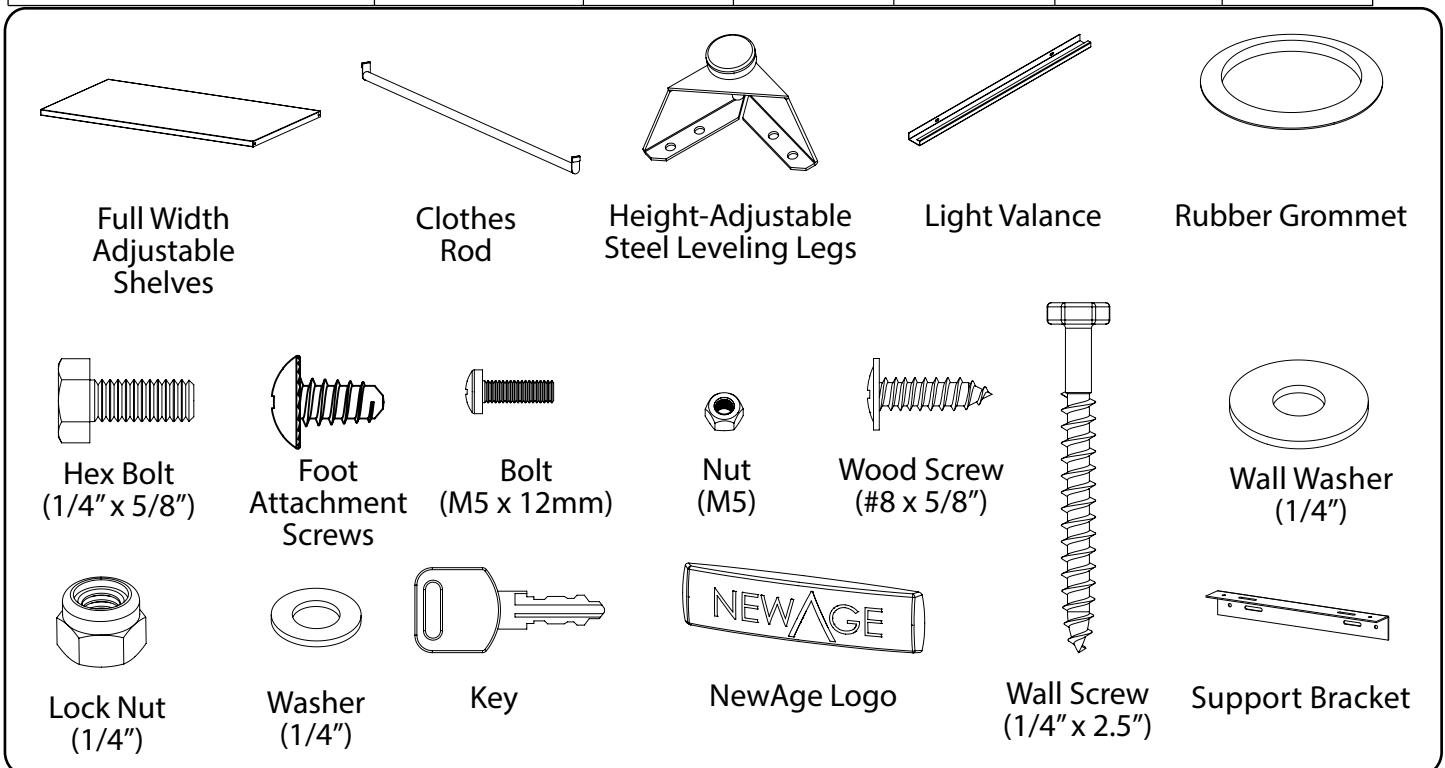


Unpacking

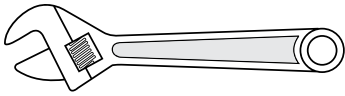
- Begin by placing the package on a covered flat surface.
- Remove all cardboard, foam packaging material and clear plastic bags.
- Dispose / recycle all packaging materials.
- Verify all the contents in the box and gather the required tools. See "Parts" and "Tools Needed" in the list below.

Parts Supplied

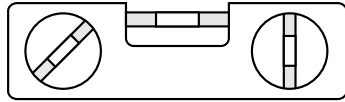
	2-Door Cabinet	Tool Drawer	30" Locker	Wall Cabinet	15" Narrow Locker	Corner Cabinet
Height-Adjustable Steel Leveling Legs	4	4	4	0	4	0
Hex Bolt (1/4" x 5/8 ") 7/16" Hex Head	4	4	10	4	10	4
Hex Lock Nuts (1/4") - 7/16" Hex Head	4	4	10	4	10	0
Washer (1/4")	8	8	22	8	22	4
Wood Screw (#8 x 5/8")	4	4	2	0	2	0
Wall Washer (1/4") (1 " Diameter)	4	4	4	4	4	6
Wall Screw (1/4" x 2.5") - 7/16" Hex Head	4	4	4	4	4	6
Foot Attachment Screws	16	16	16	0	16	0
Full Width Adjustable Shelves	1	0	3	0	3	0
Keys	2	2	2	2	2	2
Light Valence	0	0	0	1	0	1
Light Valence Bolts	0	0	0	2	0	2
Light Valence Nuts	0	0	0	2	0	2
Power Cord Hole Grommet	1	0	1	0	1	0
Closet Rod	0	0	1	0	1	0
Worktop Side Bracket	0	0	1	0	1	2
NewAge Logo	0	0	1	0	1	0



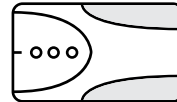
Tools Needed



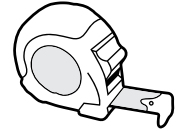
1 x Adjustable wrench



1 x 12" Magnetic Leveler



1 x Stud Finder



1 x Tape Measure

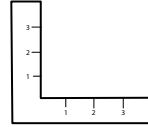


1 x 7/16" Socket driver wrench

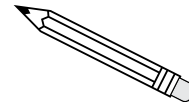
1 x 8mm" Socket driver wrench



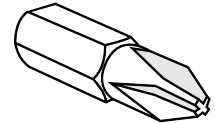
1 x 7/16" socket



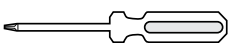
1 x Set Square



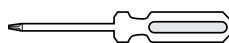
1 x Pencil



1 x #2 Phillips Bit



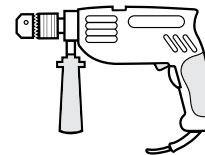
1 x #2 Phillips head screw driver



1 x #3 Phillips head screw driver



1 x Cordless Power Drill



1 x Hammer Drill



1 x Masonry Bit

[optional for masonry]

Manufacturer Warranty Limited Lifetime

When this product is installed, operated and maintained according to the instructions attached to or furnished with the product, NewAge Products Inc. will replace the defective product or parts if the part fails as a result of defective materials or workmanship for the Lifetime of the product.

NEWAGE PRODUCTS INC. WILL NOT PAY FOR:

1. Service calls to correct the installation of any NewAge products or to instruct you how to use or install them.
2. Damage resulting from improper handling or shipping of products, or products damaged by accident, misuse, abuse, fire, flood, improper installation, acts of God, neglect, corrosion, modification or mishandling.
3. Products damaged by improperly loading beyond the specified maximum weight capacity outlined in the instructions provided with the product.
4. Repairs or replacement when your product is used in other than normal, single-family household use, such as a commercial environment, or handled in anyway inconsistent with the installation instructions included with the product.
5. Cosmetic damage, including scratches, dings, dents or cracks in paint that do not affect the structural or functional capability of the product.
6. Surfaces damaged due to chemical interaction resulting in corrosion of paint or metal.
7. Replacement parts for NewAge products outside Canada and the United States.
8. Replacement keys or locking mechanisms.
9. Loss of product contents due to theft, fire, flood, accident or acts of God.
10. Shipping or freight fees to deliver replacement products or to return defective products.
11. Any labor costs during the limited warranty period.

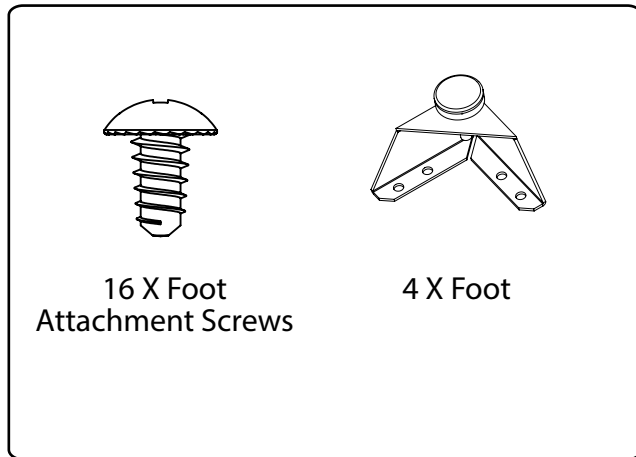
DISCLAIMER OF IMPLIED WARRANTIES; LIMITATION OF REMEDIES

IMPLIED WARRANTIES, INCLUDING TO THE EXTENT APPLICABLE WARRANTIES OF MERCHANTABILITY OR FITNESS FOR A PARTICULAR PURPOSE, ARE EXCLUDED TO THE EXTENT LEGALLY PERMISSIBLE. ANY IMPLIED WARRANTIES THAT MAY BE IMPOSED BY LAW ARE LIMITED TO ONE YEAR, OR THE SHORTEST PERIOD ALLOWED BY LAW. SOME STATES AND PROVINCES DO NOT ALLOW LIMITATIONS OR EXCLUSIONS ON HOW LONG AN IMPLIED WARRANTY OF MERCHANTABILITY OR FITNESS LASTS, SO THE ABOVE LIMITATIONS OR EXCLUSIONS MAY NOT APPLY TO YOU. THIS WARRANTY GIVES YOU SPECIFIC LEGAL RIGHTS, AND YOU MAY ALSO HAVE OTHER RIGHTS WHICH VARY FROM STATE TO STATE OR PROVINCE TO PROVINCE

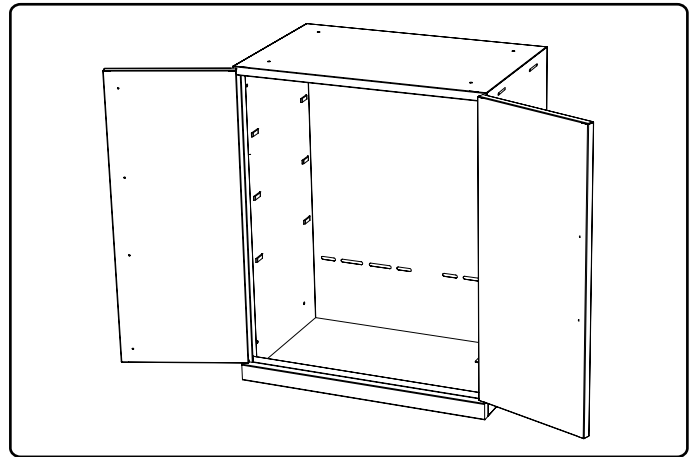
NEWAGE
PRODUCTS INC.

Installing the Feet

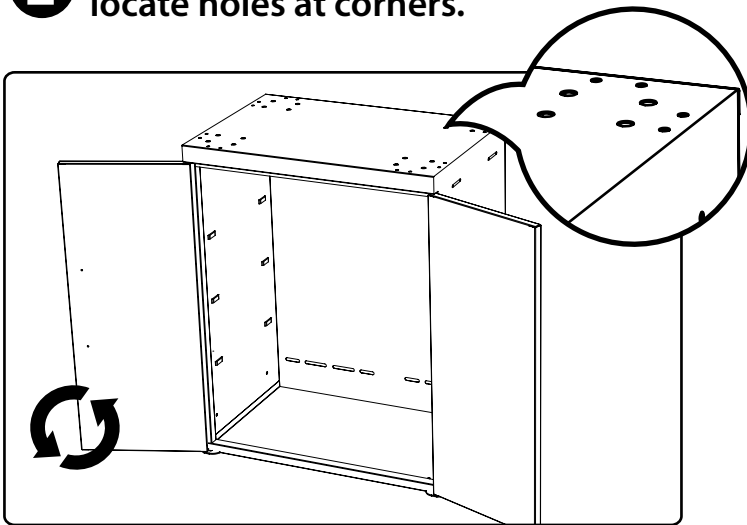
i Parts Needed.



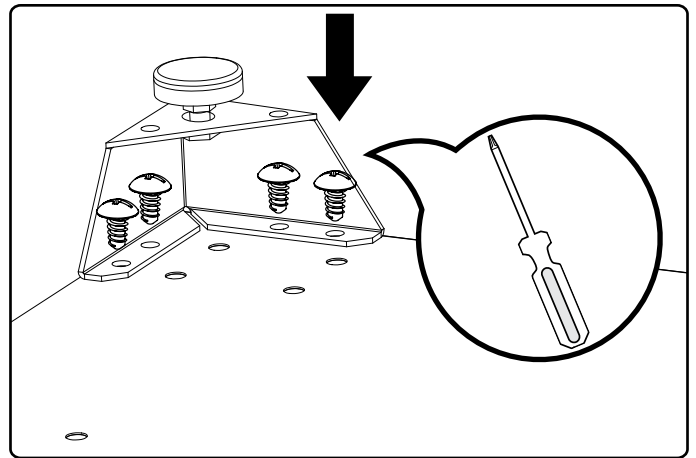
1 Open cabinet, remove any shelves or loose items.



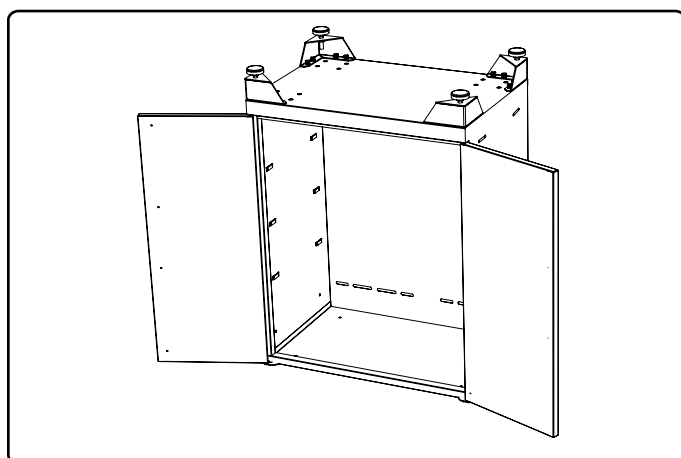
2 Flip cabinet upside down, locate holes at corners.



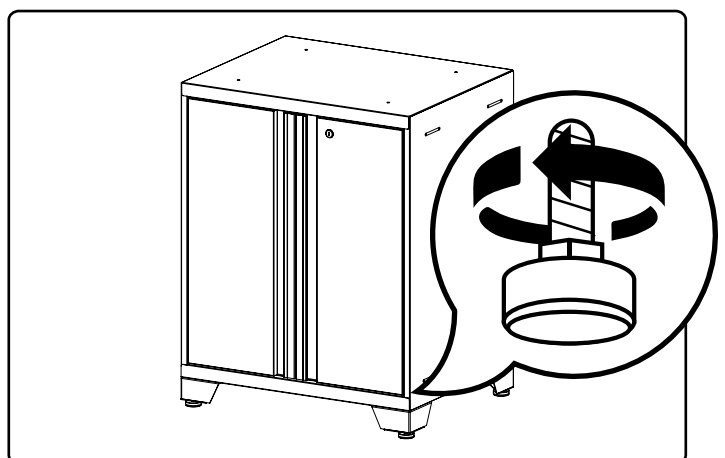
3 Align foot with edge of cabinet. Screw in 4 x foot attachment screws using #3 philips screwdriver.



4 Repeat step 3 for each corner.



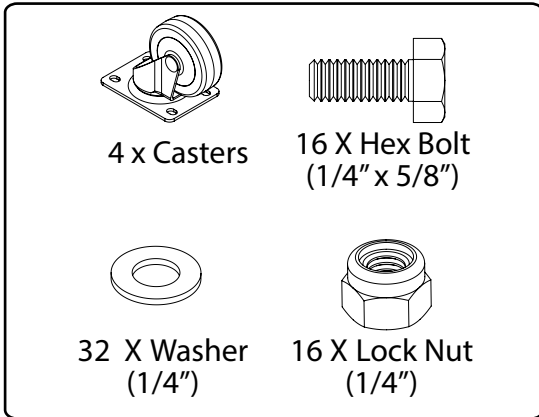
5 Stand & level feet.



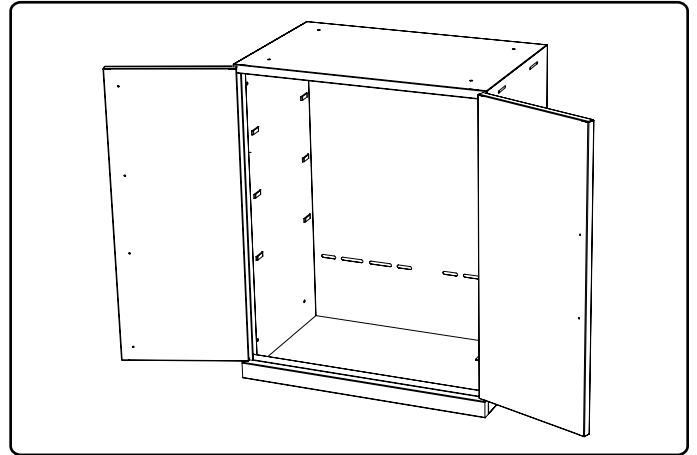
Installing Casters

Note:
Casters sold separately.

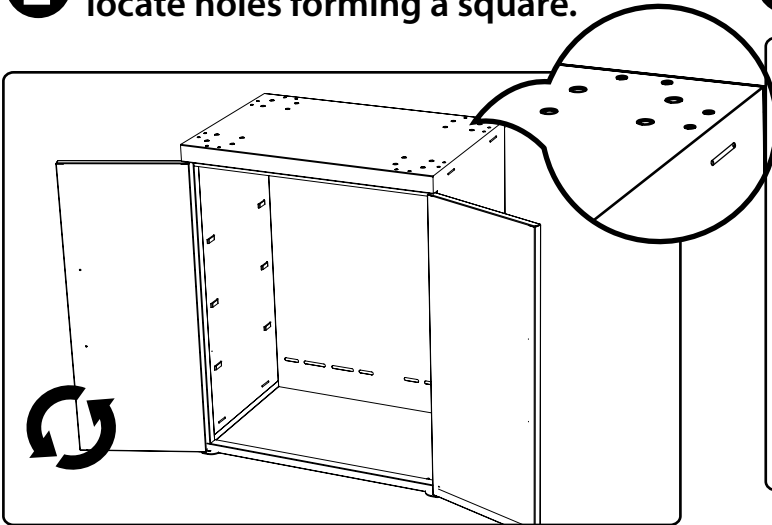
i Parts Needed.



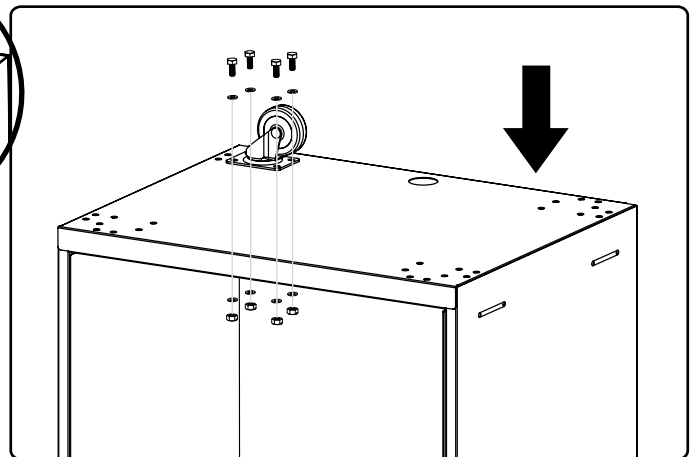
1 Open cabinet, remove any shelves or loose items.



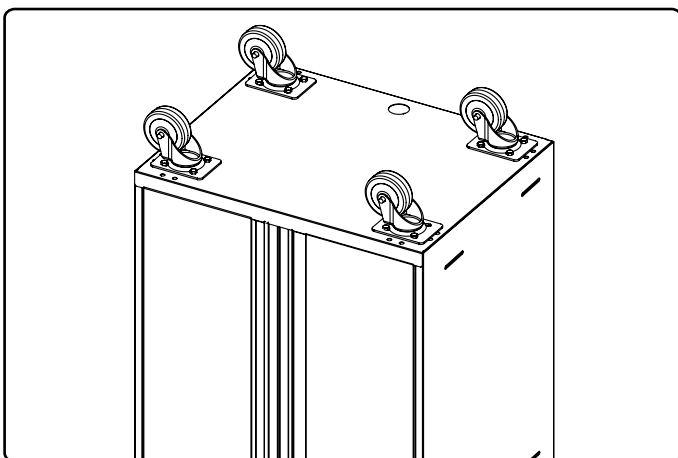
2 Flip cabinet upside down, locate holes forming a square.



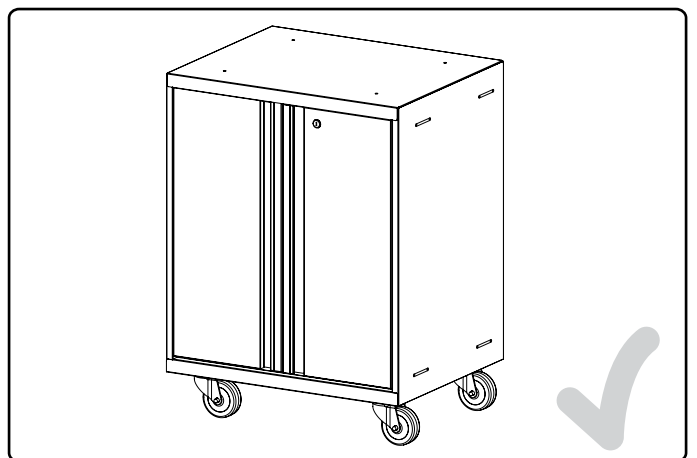
3 Align caster holes and bolt to cabinet using 4 Hex bolts and Lock nuts with 8 washers



4 Repeat steps 3 for each corner.

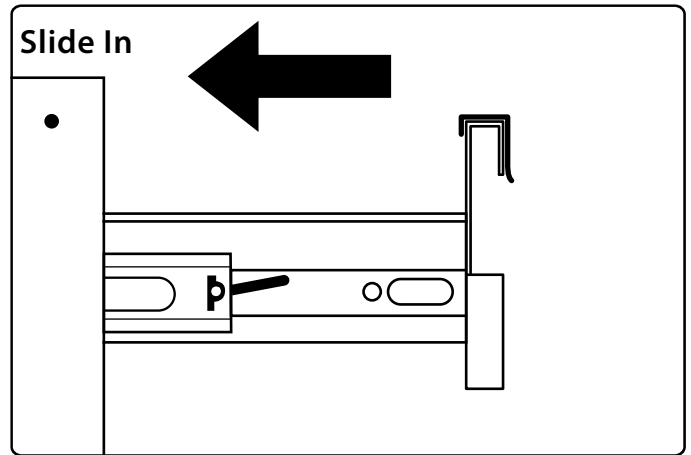
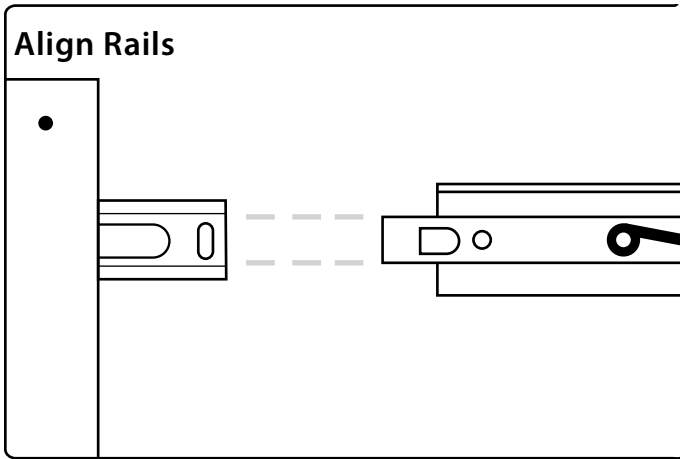


5

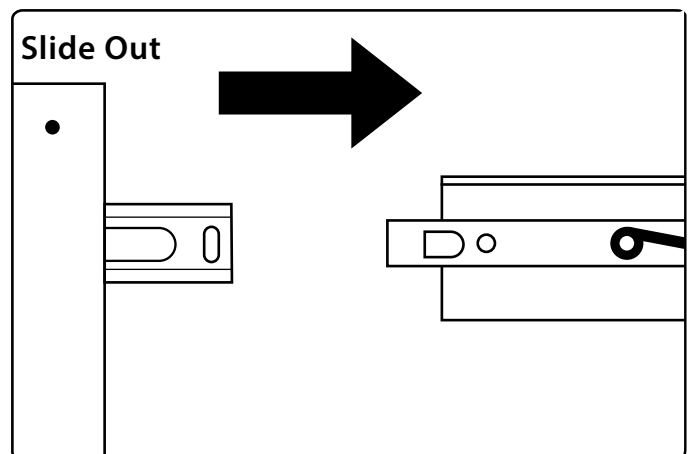
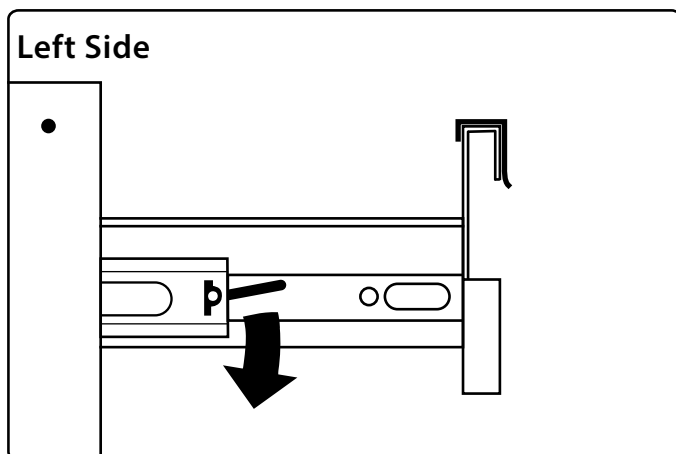
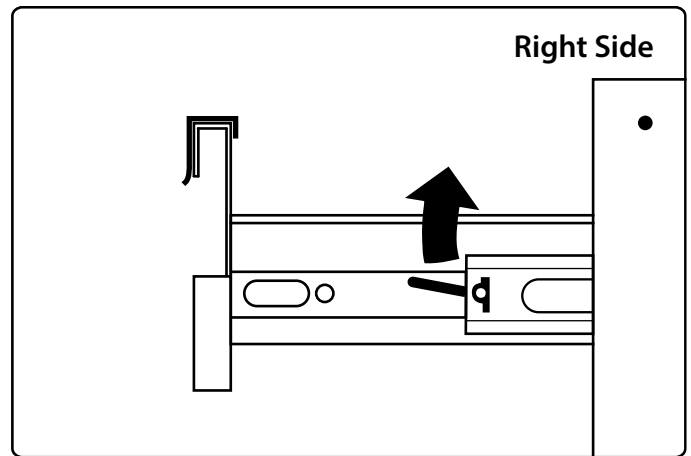
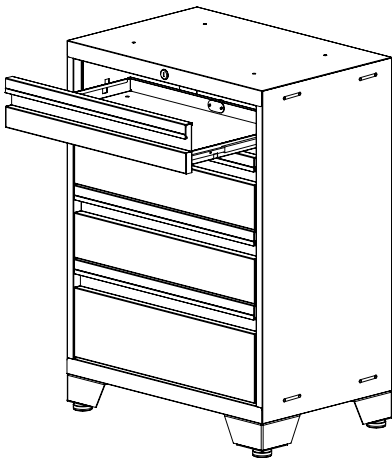


Installing the Drawers

Inserting Drawers.



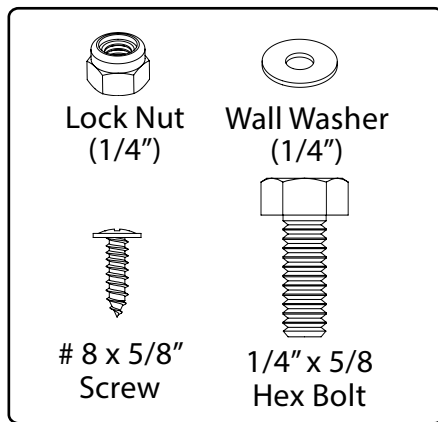
Removing Drawers.



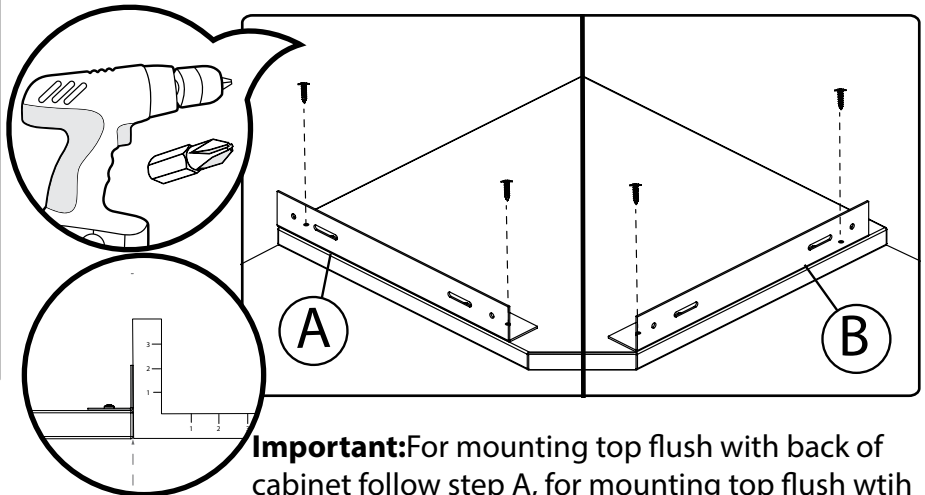
Installing Corner Cabinet

Note: Ensure there is enough assembly room. Cabinets must be assembled away from corner to access backs of cabinets.

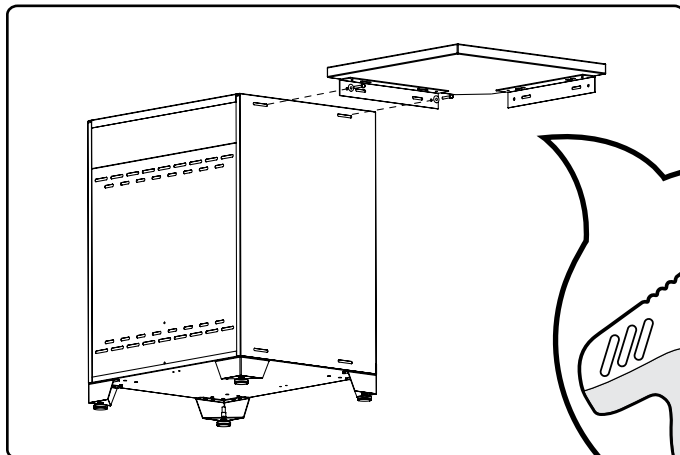
i Parts Needed.



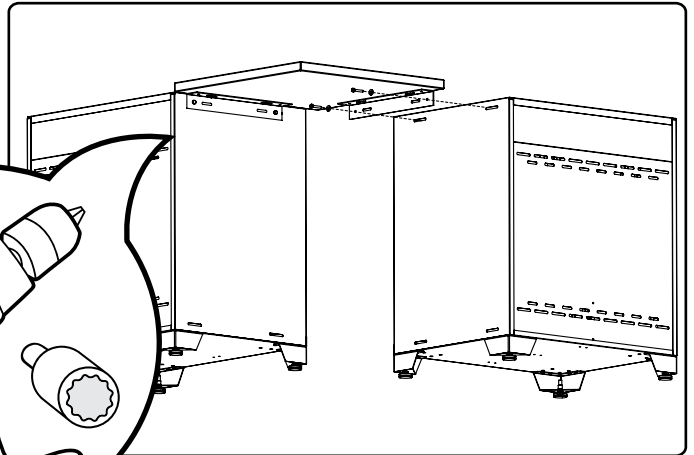
1 On adjacent edges attach 2 support brackets to underside of corner top using the supplied (4) #8 x 5/8" screws.



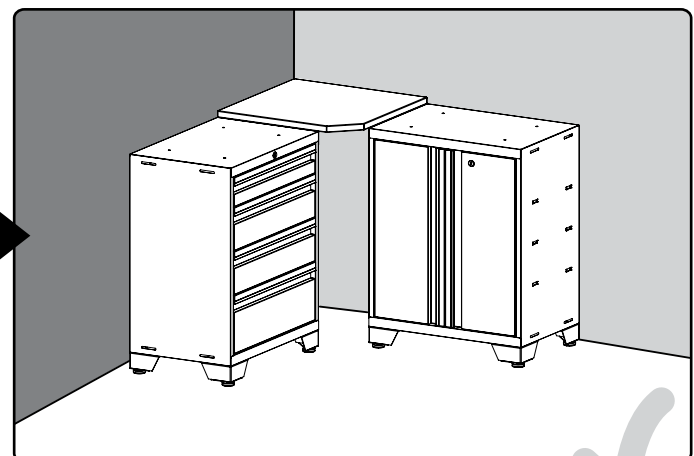
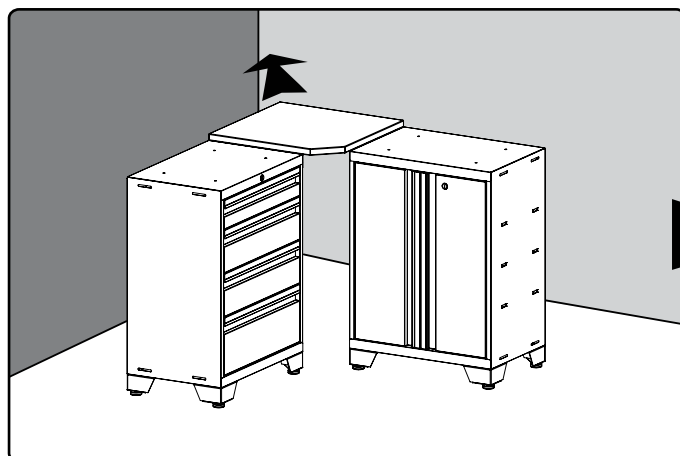
2 Attach top to one cabinet using 1/4" x 5/8 hex bolts, nuts, and washers.



3 Attach second cabinet to top.

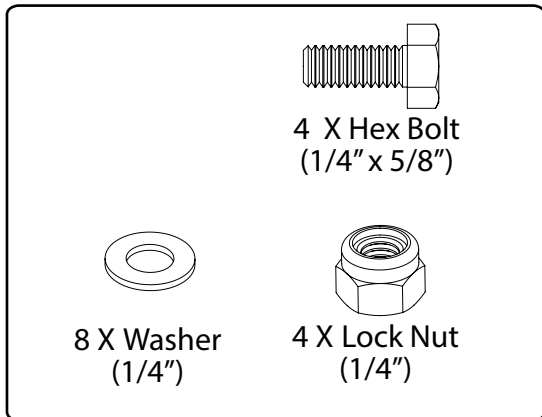


4 Slide in corner and attach remaining cabinets.

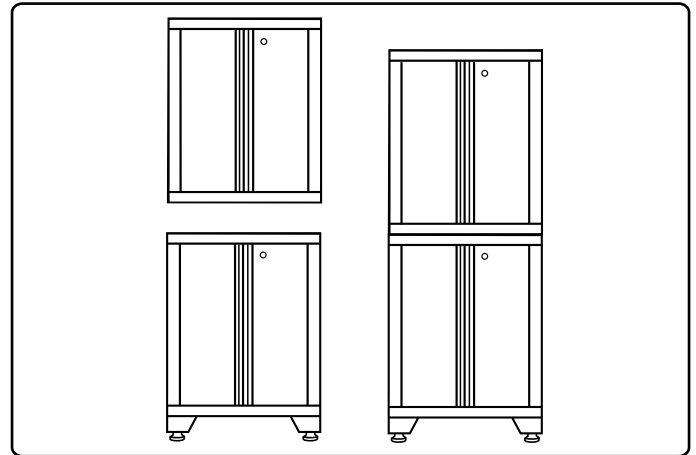


Stacking Cabinets

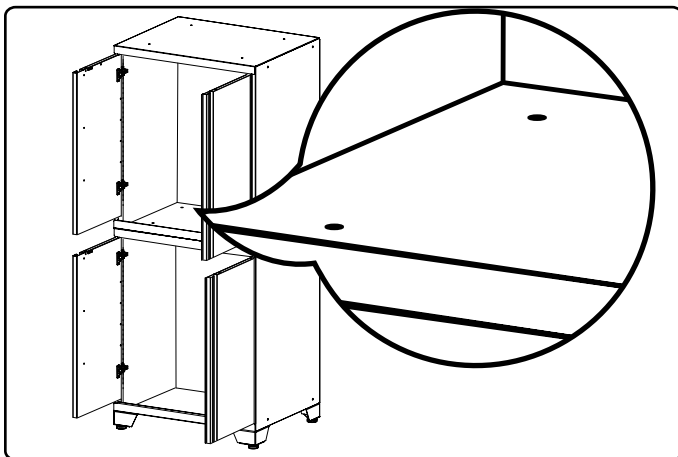
i Parts Needed.



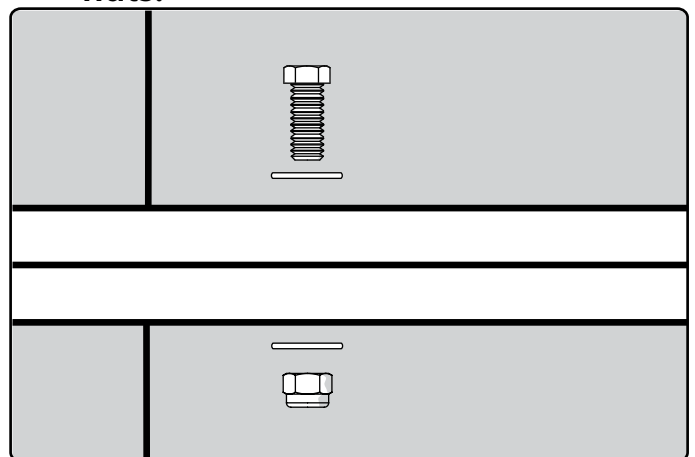
1 Position a second base cabinet on top of an existing base cabinet.



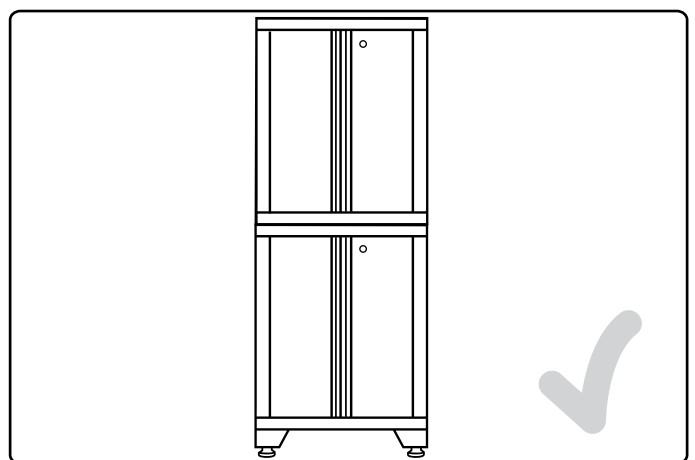
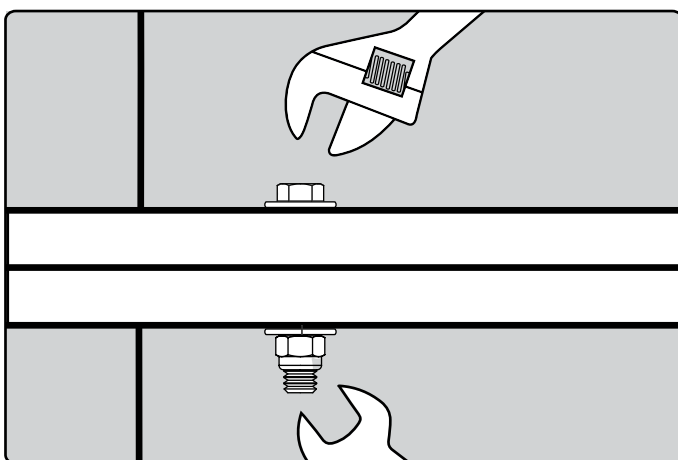
2 Locate punch holes on adjoining surface and insert bolts.



3 Attach cabinets using the supplied 1/4" x 5/8" hex bolts, washers, and nuts.



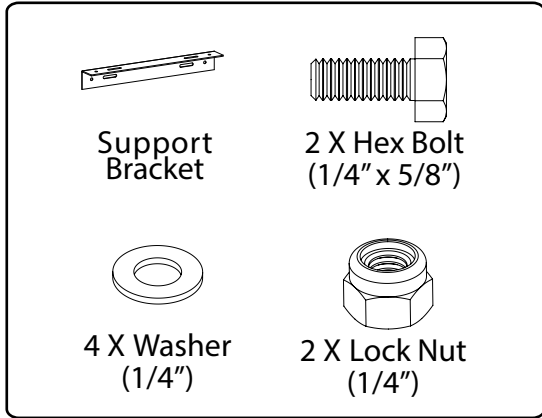
4 Tighten all bolts



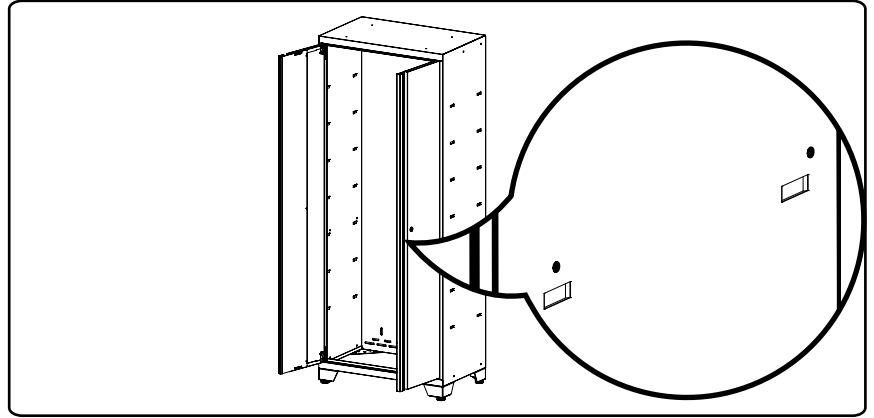
Installing Worktop Side Support Bracket

Note: Support Bracket Sold Separately
A support bracket is to be used if the worktop is added to the set without a secondary supporting base/tool cabinet.

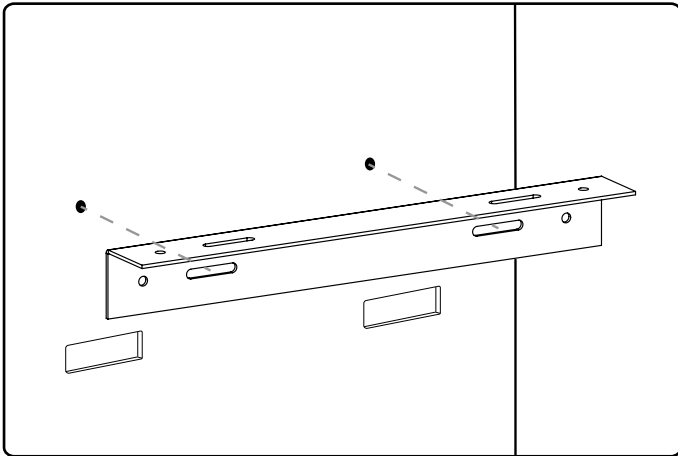
i Parts Needed.



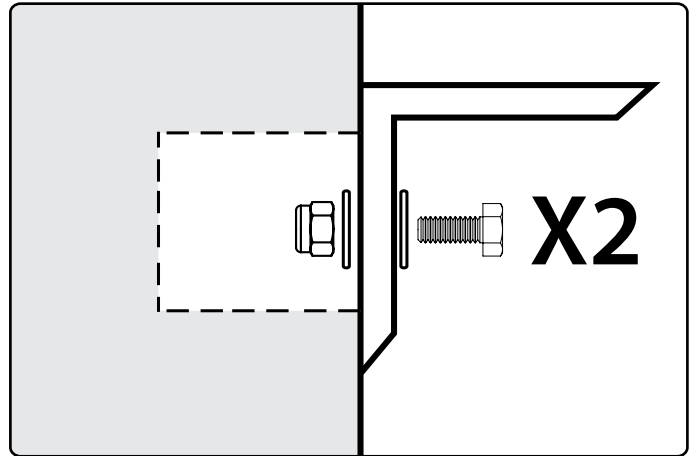
1 Open locker and locate holes on either side.



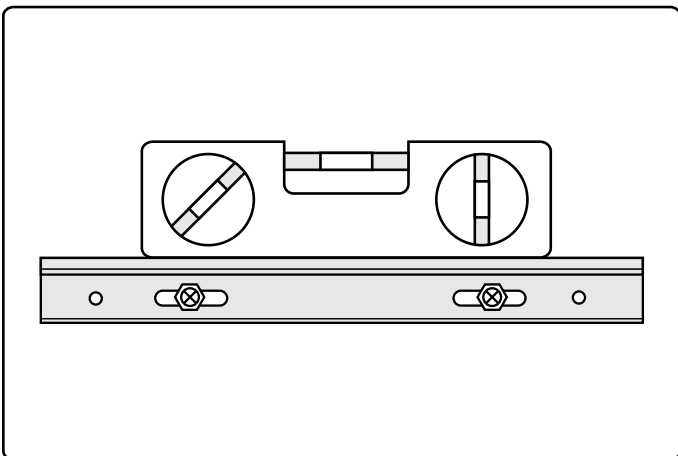
2 Align bracket.



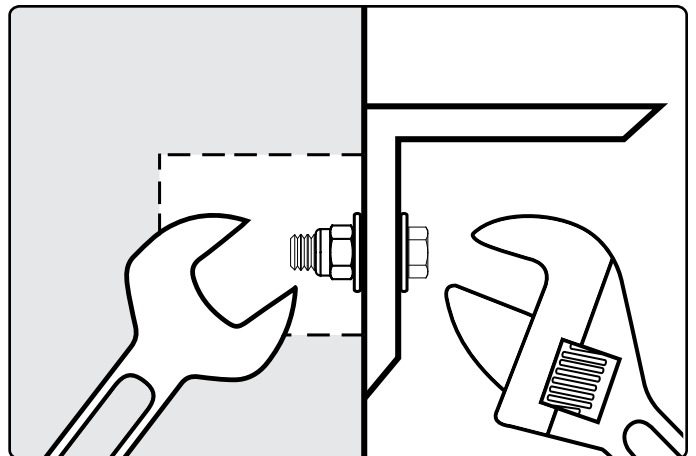
3 Fasten nuts, bolts, and lock washers.



5 Level bracket and ensure it is at the same height as the base cabinet.

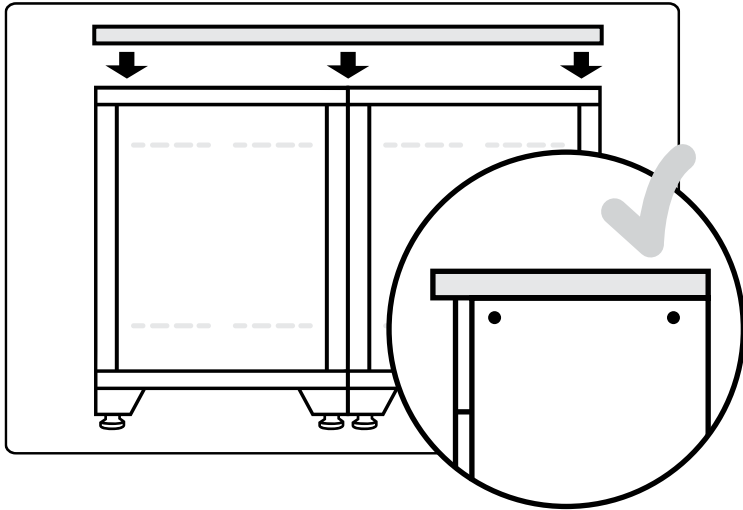


4 Tighten nuts & bolts.

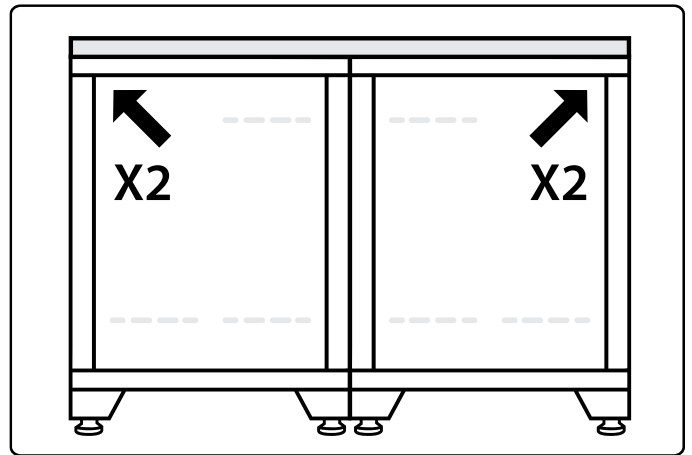


Mounting the Worktop (On 2 Cabinets)

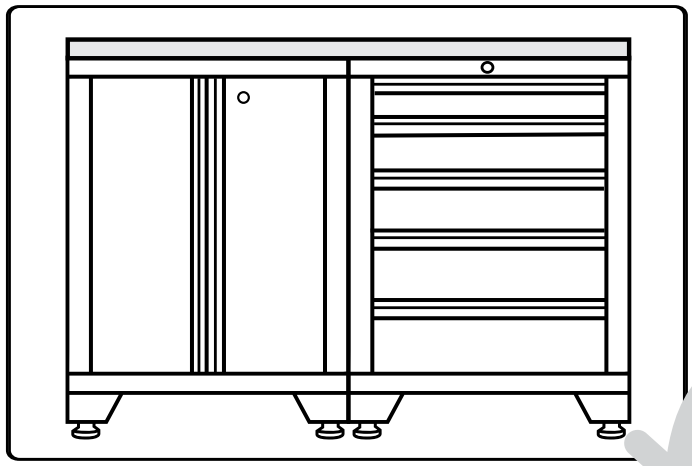
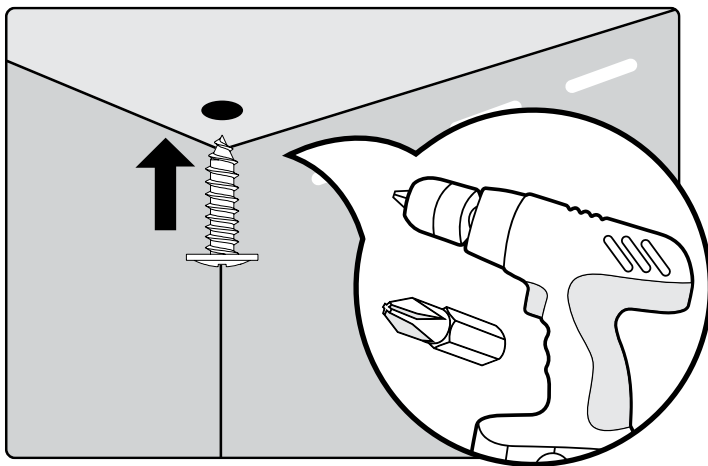
1 Place worktop on cabinets.



2 Locate 2 punch holes both sides.

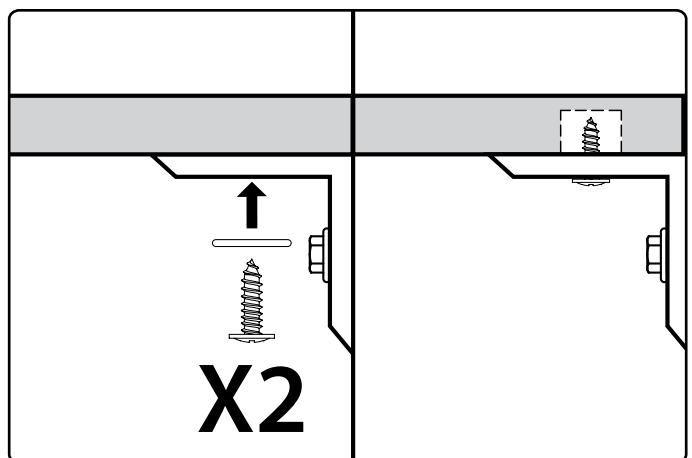
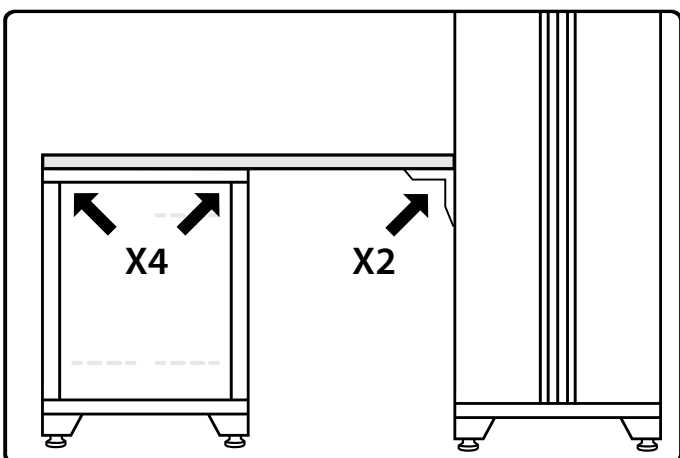


3 Drill into the worktop using the #8 x 5/8" wood screws.



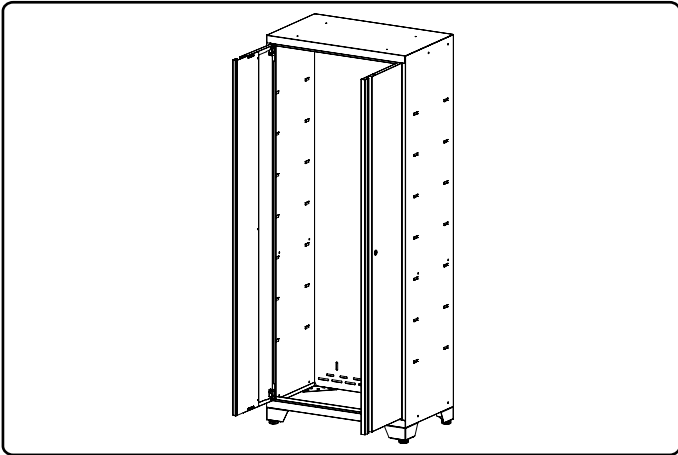
i Optional: For locker support bracket.

Use 2 washers & #8 x 5/8" wood screws.
Provided in the locker packaging.

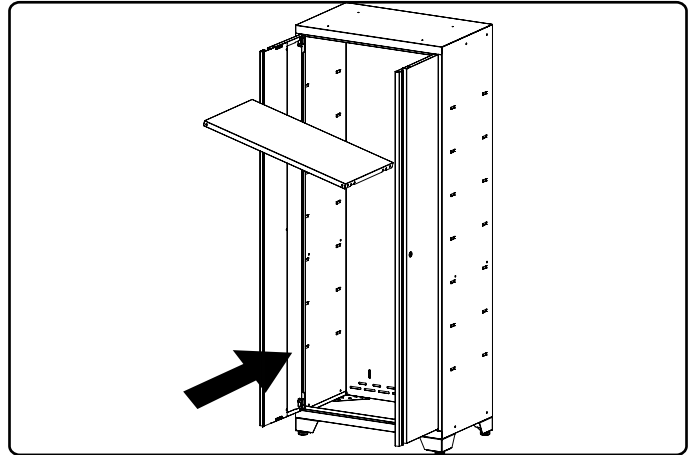


Inserting Cabinet Shelves

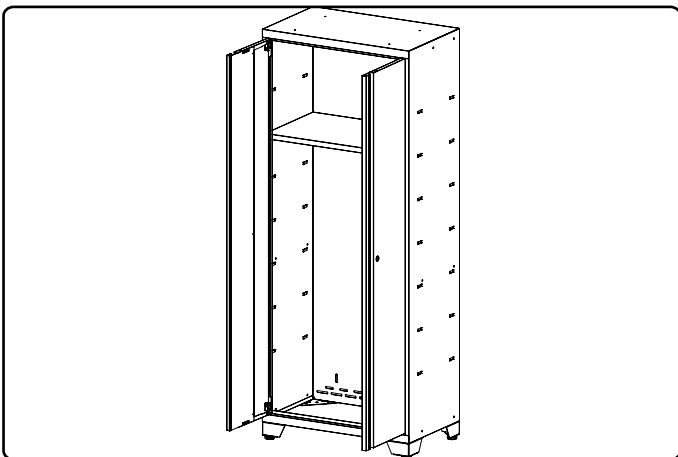
1 Stand cabinet up.



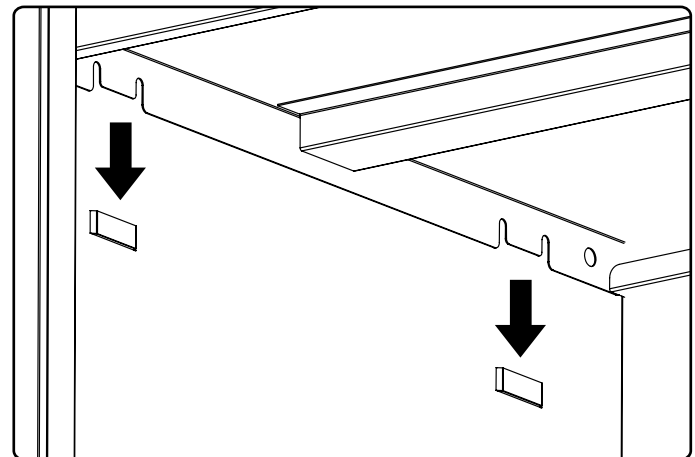
2 Insert shelf at a slight angle.



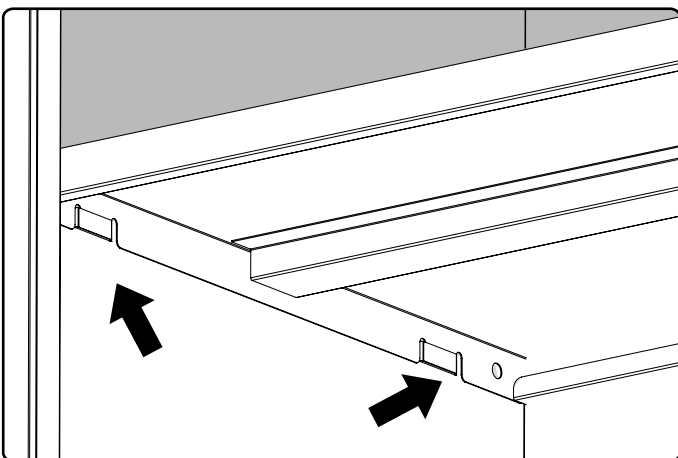
3 Level shelf.



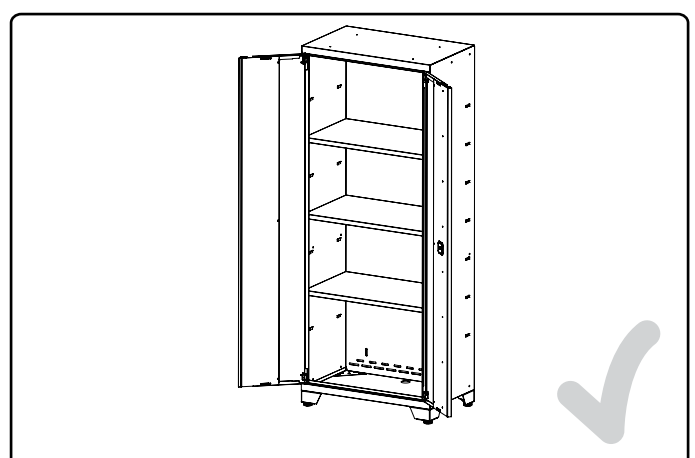
4 Lower shelf onto brackets by sliding tabs into slots.



5 Ensure shelf is clipped in position.

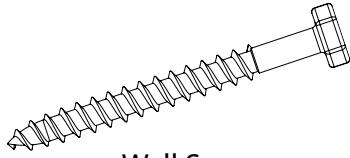


6 Insert remaining shelves.

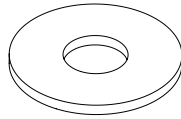


Mounting Cabinets (Drywall/Studded Wall)

i Parts Required



Wall Screw
(1/4" x 2.5")



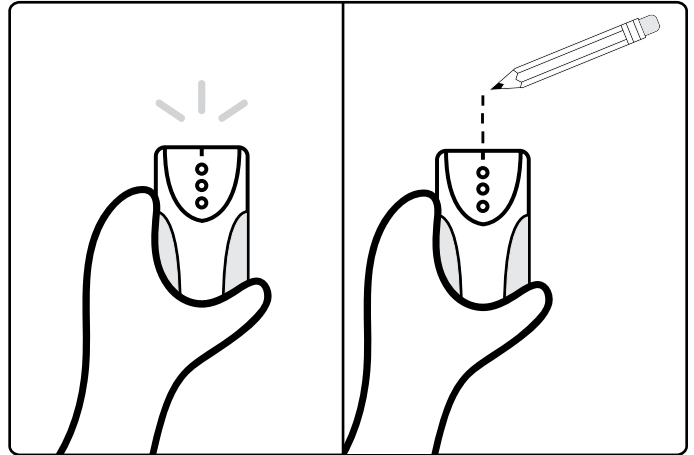
Wall Washer
(1/4")

Wall & Locker: 4 wall screws and 4 washers

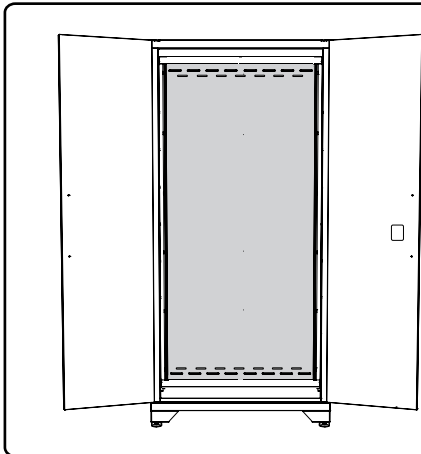
Corner Wall: 6 wall screws and 6 washers

Base & Tool Cabinet: 2 wall Screws and 2 washers

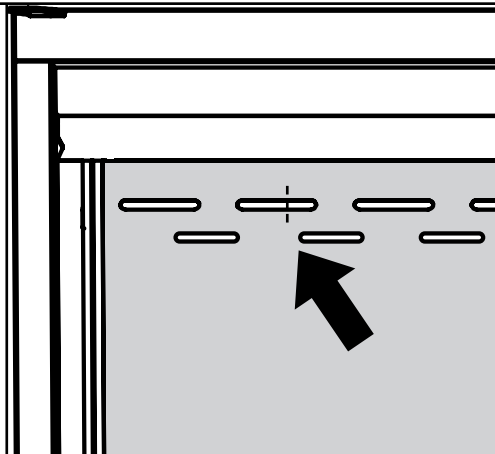
1 Use stud finder to locate the studs and mark the wall with a pencil.



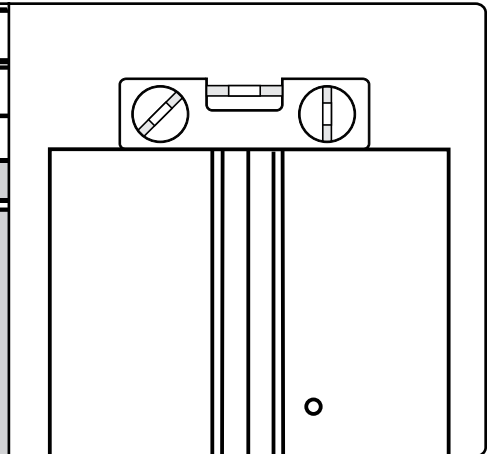
2 Place cabinet tight against the wall.



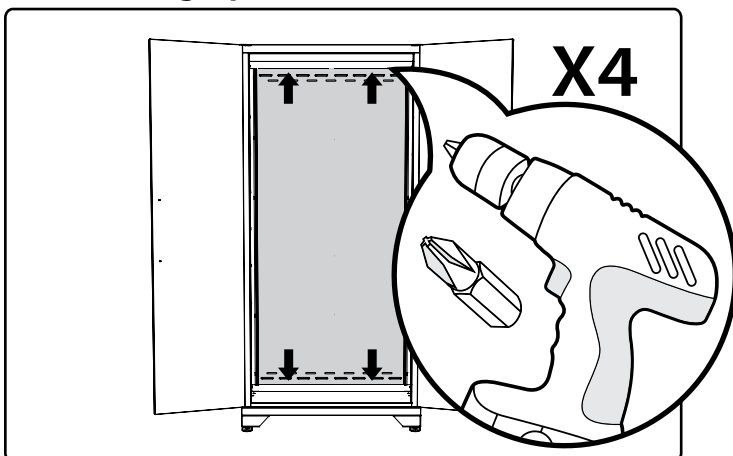
3 Align cabinet to stud marks.



4 Level cabinet by adjusting feet



5 Drill 4 wall screws and washers through perforated holes into studs.



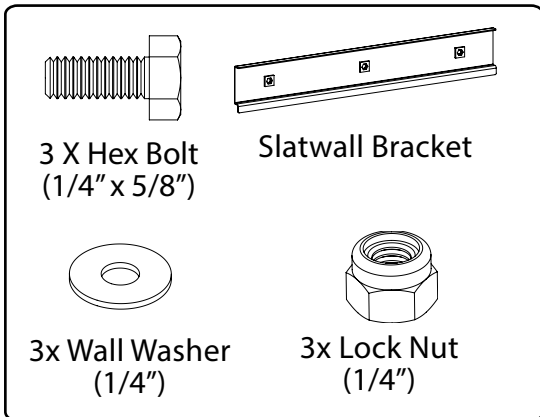
i Masonry.

- Follow steps 2 to 4.
- Drill 4 pilot holes through the perforated strip with hammer drill & masonry bit.
- **Follow Step 5 using:**
- Use 4 x (2 1/4" x 1/4") Tapcon Concrete Anchor into wall. (Not Included)
- **OR** 4 x (#10 x 2") Screw with 3/16" masonry plug into wall. (Not Included)

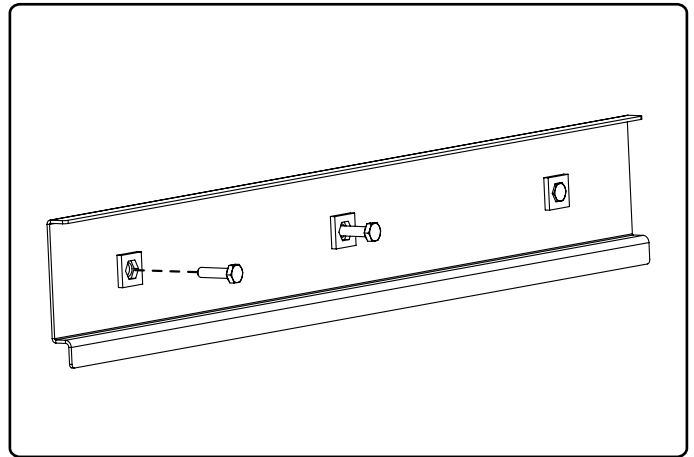
Hanging Cabinets on Slatwall

Note:
Slatwall brackets
sold separately

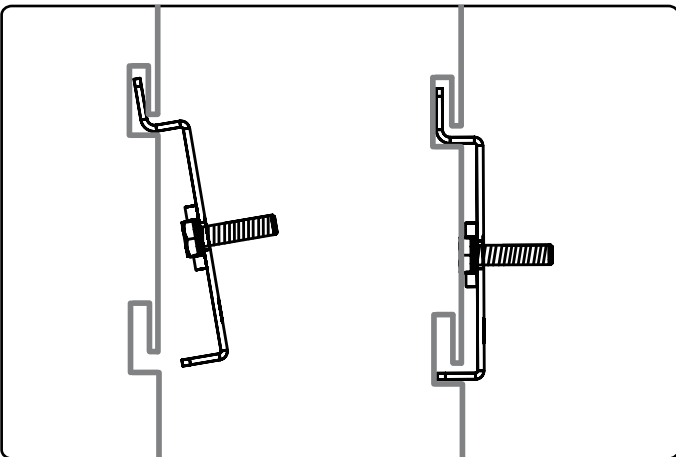
i Parts Needed.



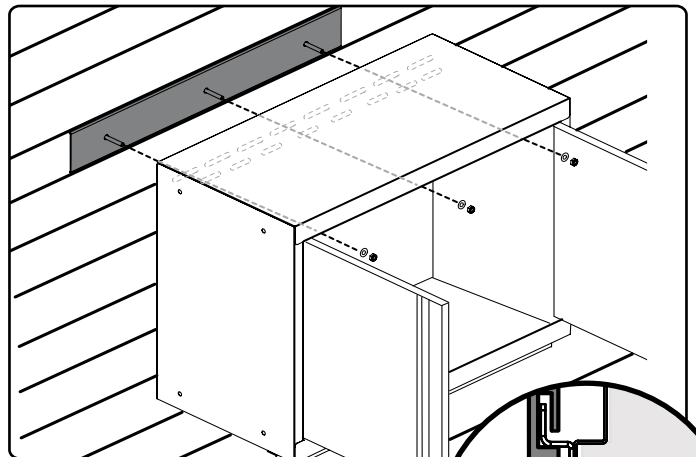
1 Insert bolts through slatwall bracket.



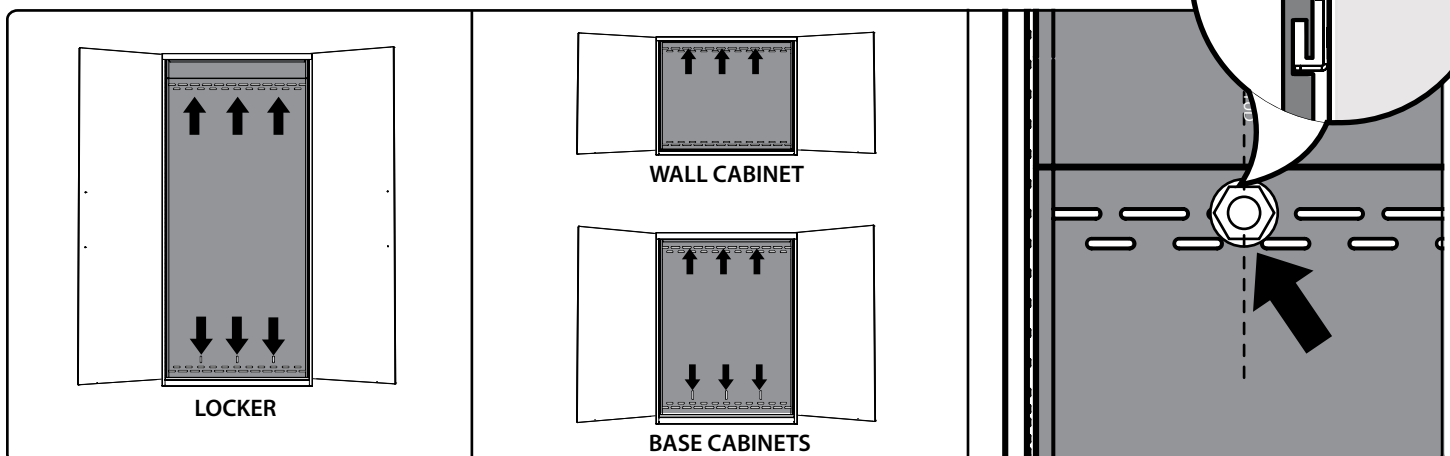
2 Attach bracket to slatwall at desired height. For Locker cabinet attach second bracket 65" below first bracket.



3 Align bolt with slots on back of cabinet and hang cabinet.



4 Using 1/4" drill socket or 1/4" wrench securely tighten lock nuts to each wall bracket from inside cabinet.



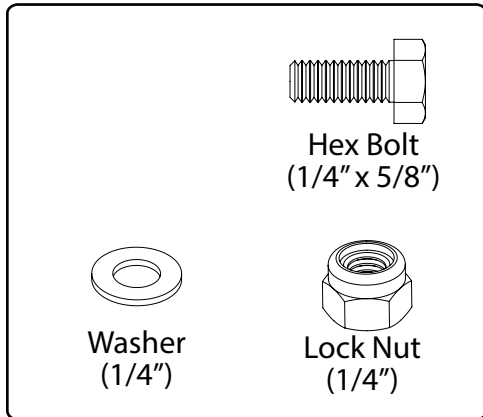
Fastening Cabinets



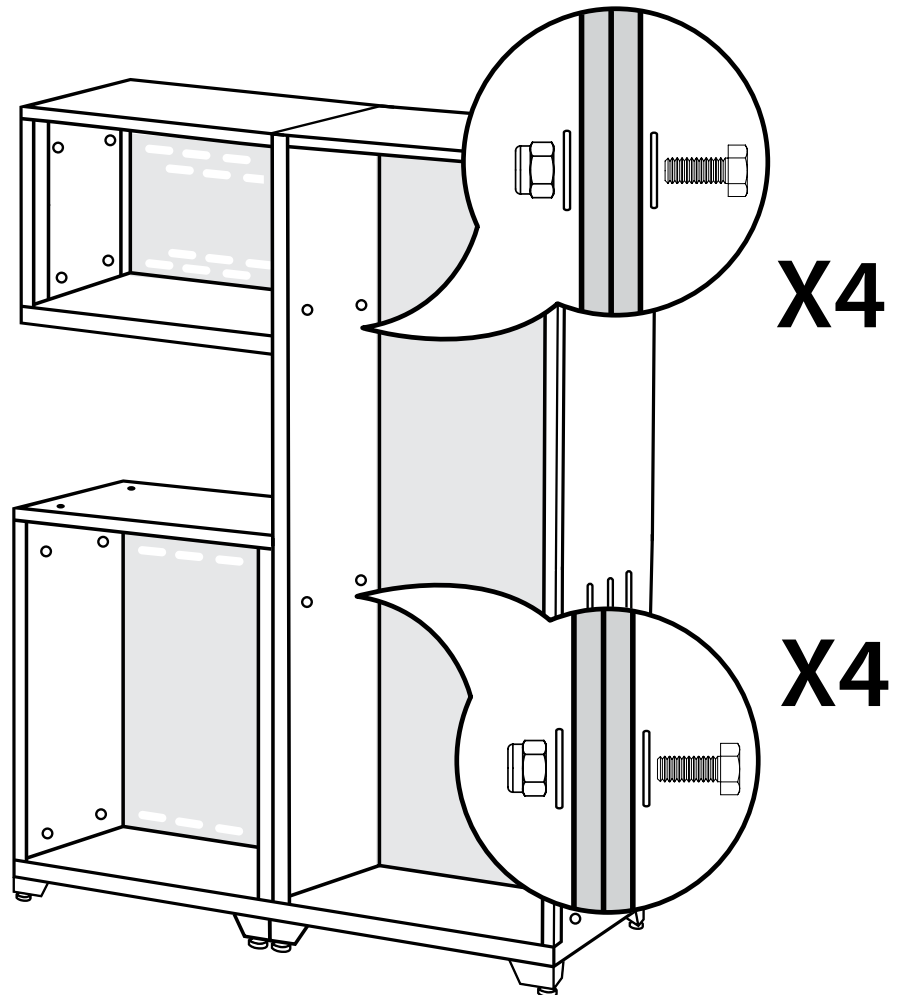
Note:

Fasten additional cabinets to initial securely mounted cabinet.

Parts Needed.



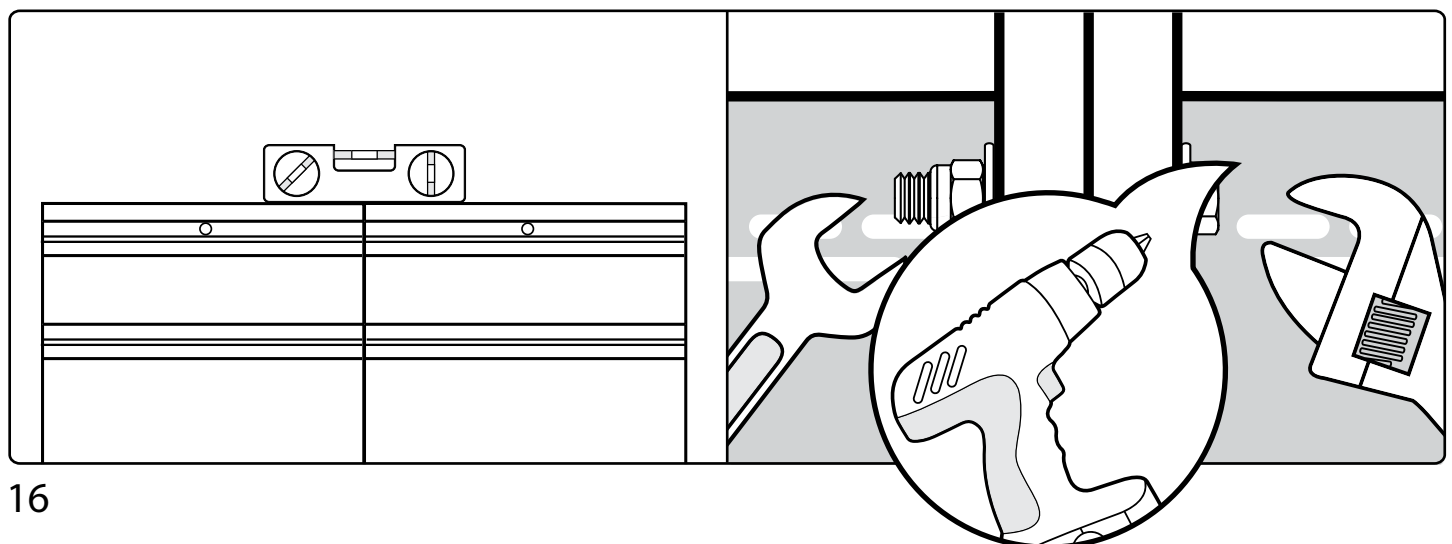
1 Align bolts, tighten lightly.



Note:

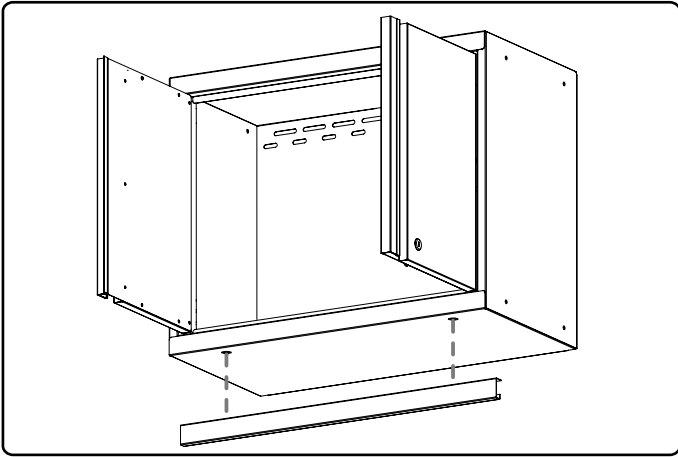
Remove all drawers before fastening cabinets

2 Level cabinets and tighten all bolts.

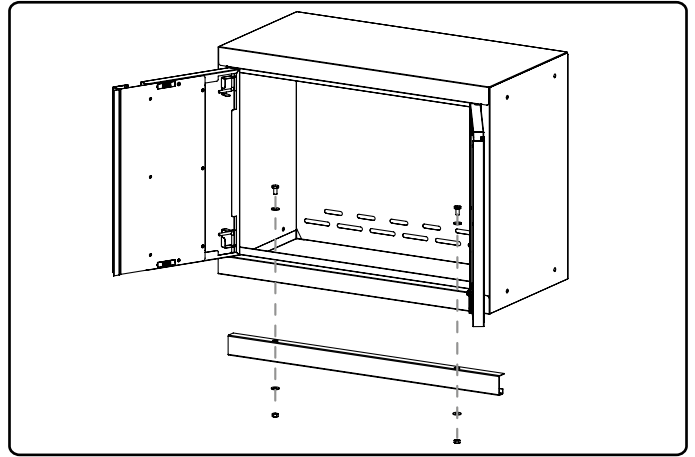


Attaching Light Valance to Wall Cabinet

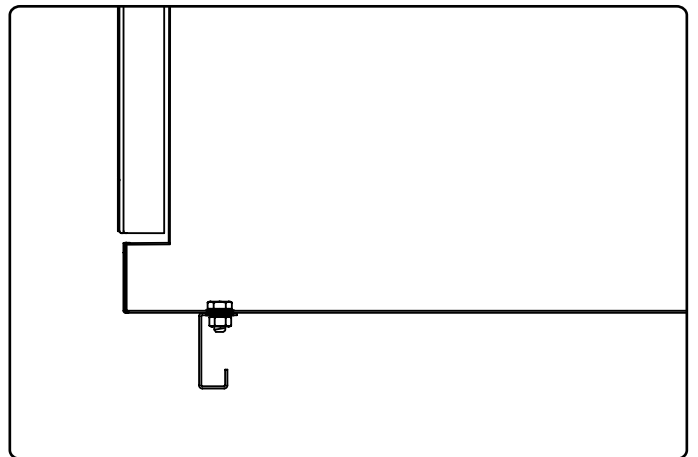
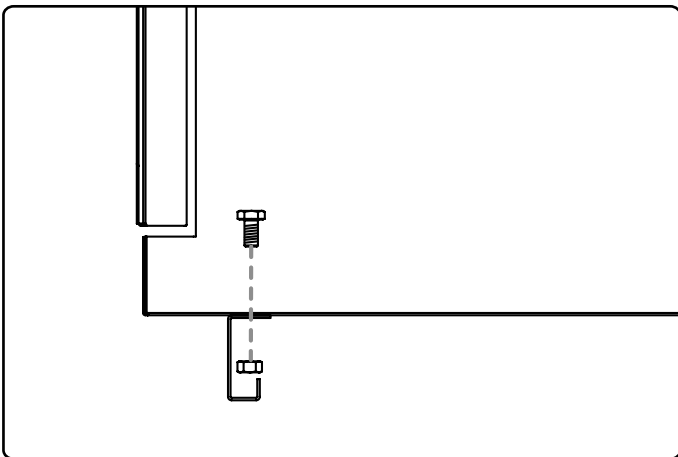
1 Align holes of valance with cabinet.



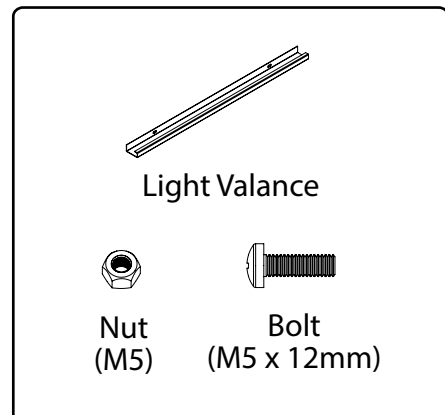
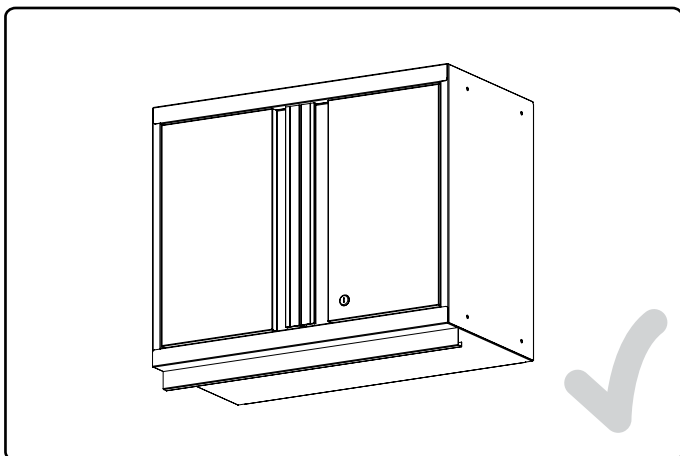
2 Insert and tighten bolt and nuts.



3 Cross Section View

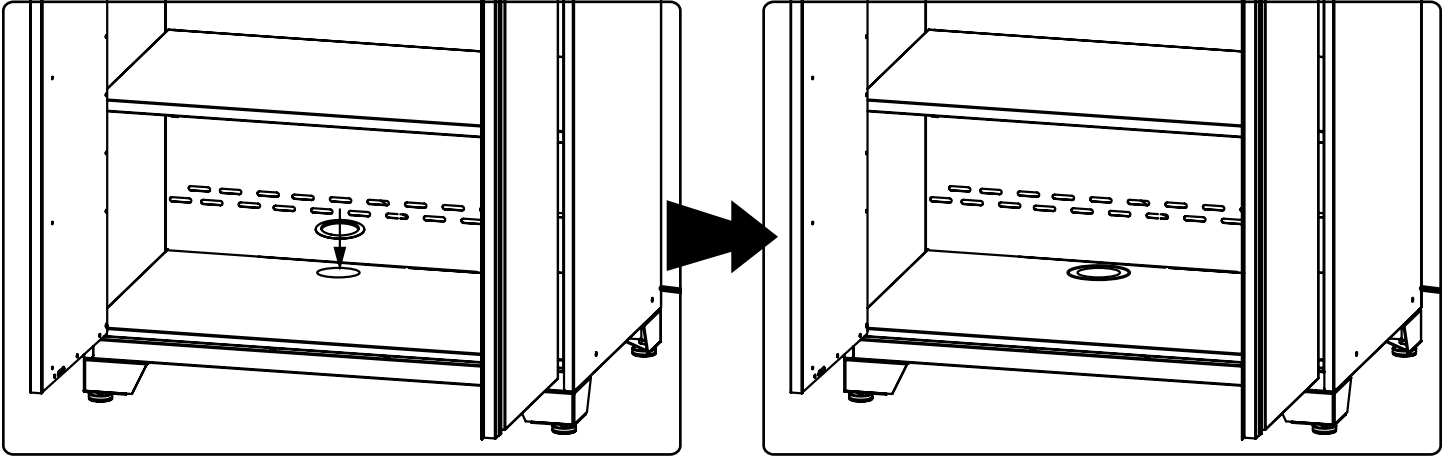


i Parts Needed.

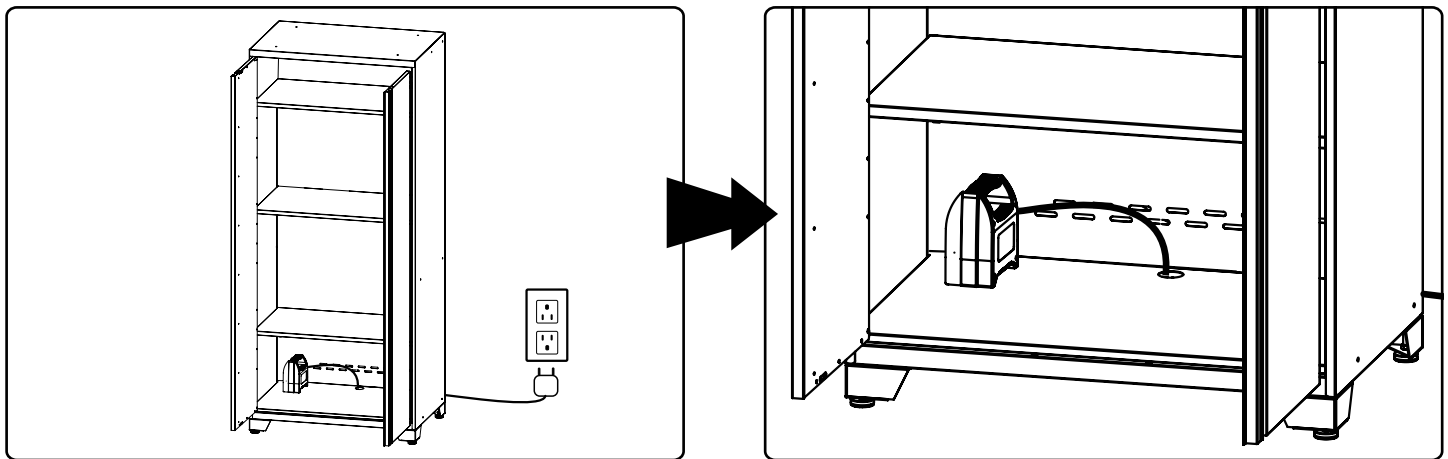


Utility Access

- 1 Insert rubber grommet into cut-out hole in bottom panel.



- 2 The utility access hole allows easy connection to power outlet.



Thank you for purchasing a NewAge Product!

Please give us a call or visit online if you have any questions.

Call 1.877.306.8930; for UK 0800.031.4069; e-mail at info@newageproducts.com