

# CA65 Propane Warning



**WARNING: FUELS USED IN LIQUEFIED PROPANE GAS APPLIANCES, AND THE PRODUCTS OF COMBUSTION OF SUCH FUELS, CAN EXPOSE YOU TO CHEMICALS INCLUDING BENZENE, WHICH IS KNOWN TO THE STATE OF CALIFORNIA TO CAUSE CANCER AND CAUSE BIRTH DEFECTS OR OTHER REPRODUCTIVE HARM. For more information go to: [www.P65Warnings.ca.gov](http://www.P65Warnings.ca.gov).**

**ADVERTENCIA: LOS COMBUSTIBLES USADOS EN EQUIPOS PARA LICUAR GAS PROPANO, ASÍ COMO LOS PRODUCTOS DE SU COMBUSTIÓN, PUEDEN EXPONERTE A SUSTANCIAS QUÍMICAS, ENTRE ELLAS EL BENCENO, QUE EL ESTADO DE CALIFORNIA RECONOCE COMO CAUSA DE CÁNCER Y DE MALFORMACIONES CONGÉNITAS Y OTROS DAÑOS AL SISTEMA REPRODUCTOR. Para más información, visite [www.P65Warnings.ca.gov](http://www.P65Warnings.ca.gov).**

## Pre-Assembly

### PLANNING ASSEMBLY

Before beginning assembly of product, make sure all parts are present. If any part is missing or damaged, do not attempt to assemble the product.

Contact customer service for replacement parts.

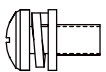


Some parts may contain sharp edges. Wear protective gloves if necessary.

### HARDWARE INCLUDED



**NOTE:** Hardware not shown to actual size.



AA



BB



CC (Pre-assembled)

Part	Description	Quantity
AA	M6 x 14 Bolt	20
BB	M5 x 14 Bolt	16
CC	ST4.2 x 9.5 Self-tap Screw	4

### TOOLS REQUIRED



**NOTE:** Tools are not included in the package.



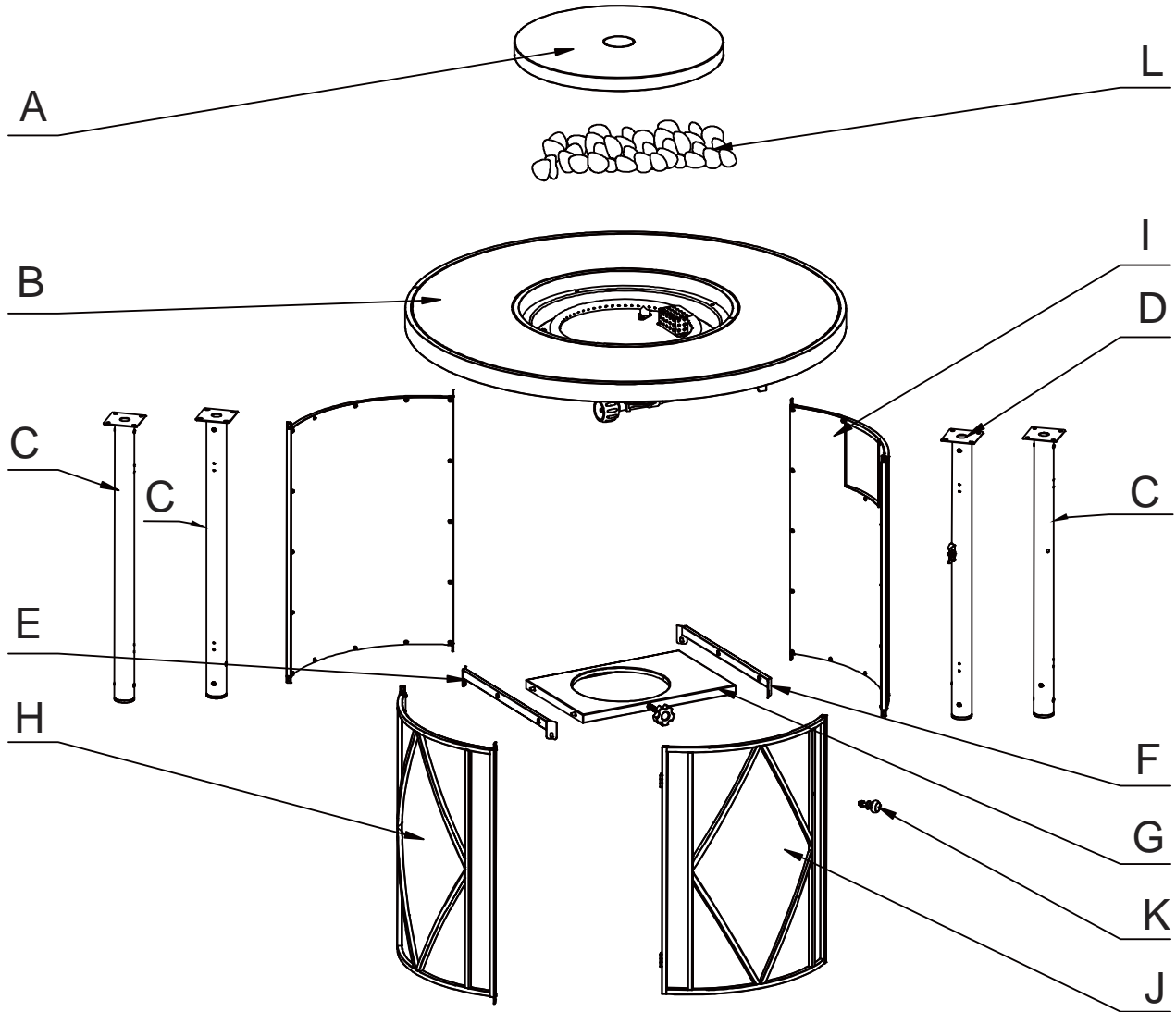
Adjustable Wrench



Philips screwdriver

# Pre-Assembly (continued)

## PACKAGE CONTENTS



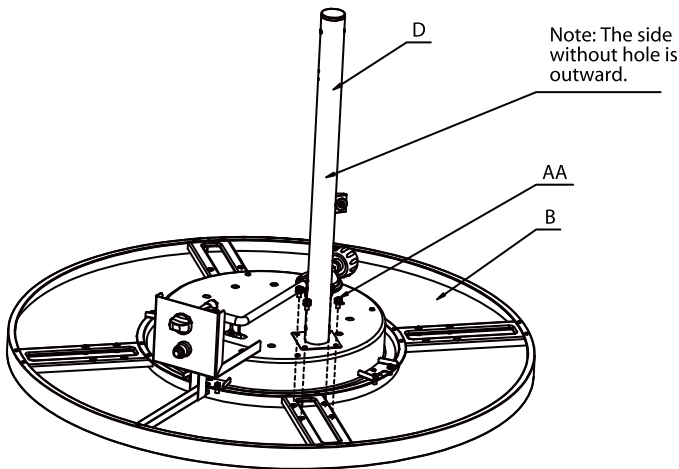
Part	Description	Quantity
A	Lid	1 pc
B	Table Top Assembly	1 pc
C	Leg	3 pcs
D	Leg with Bracket	1 pc
E	Left Cylinder Support Tube	1 pc
F	Right Cylinder Support Tube	1 pc

Part	Description	Quantity
G	Cylinder Holder Assembly	1 pc
H	Left Panel	2 pcs
I	Front Panel	1 pc
J	Door Panel	1 pc
K	Door Handle	1 pc
L	Lava Rocks	1 bag

# Assembly

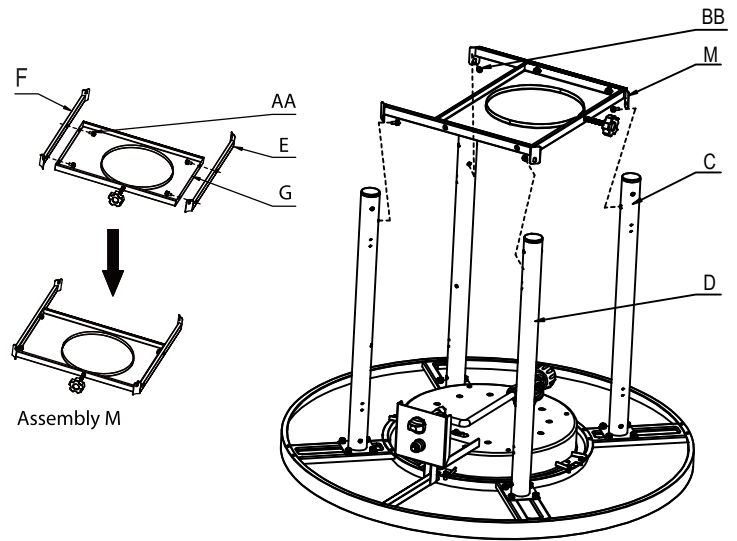
## 1 Attaching the Leg with Bracket

- Choose a flat place to assemble the product, and use a piece of cardboard on the floor to help protect the table surface.
- Turn the table top assembly (B) over, place the leg with bracket (D) on the left side of the control panel, and attach it to the table top assembly (B) with four M6 x 14 bolts (AA).



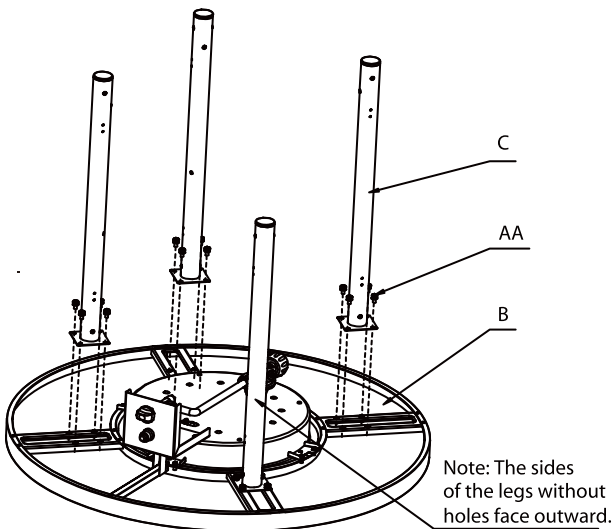
## 3 Attaching the Cylinder Holder

- Attach the cylinder holder assembly (G) to left cylinder support tube (E) and right cylinder support tube (F) with four M6 x 14 bolts (AA). Then attach this assembly (M) to all four legs (C and D) with four M5 x 14 bolts (BB) as shown.



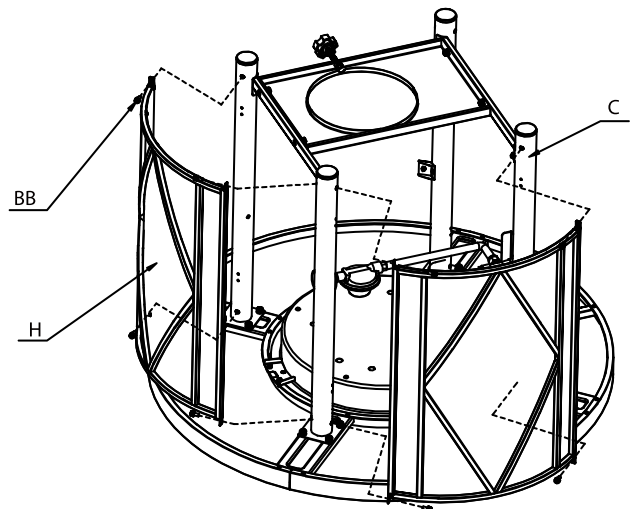
## 2 Attaching the Legs

- Attach the three legs (C) to the table top assembly (B) with twelve M6 x 14 bolts (AA).



## 4 Attaching the Left Panels

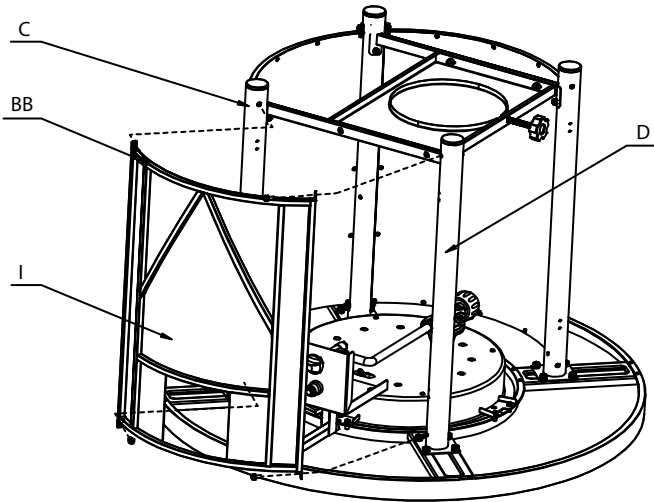
- Attach two left panels (H) to the three legs (C) with eight M5 x 14 bolts (BB).



## Assembly (continued)

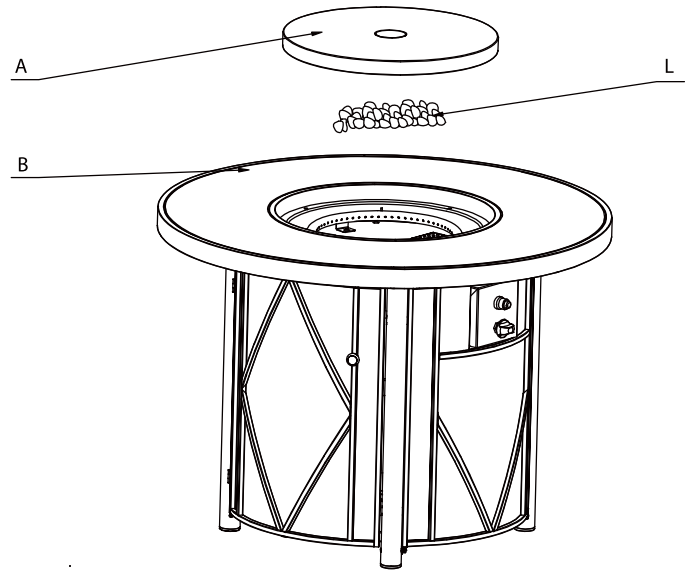
### 5 Attaching the Front Panel

- Attach the front panel (I) to a leg (C) and the leg with bracket (D) with four M5 x 14 bolts (BB).



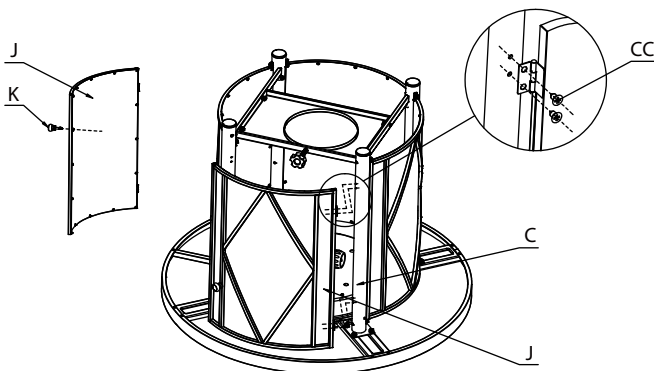
### 7 Placing LAVA Rock & Lid

- Place lava rocks (L) (Max. 5.5 lbs) onto the table top assembly (B). Place the lid (A) onto the table top assembly (B) when not use.



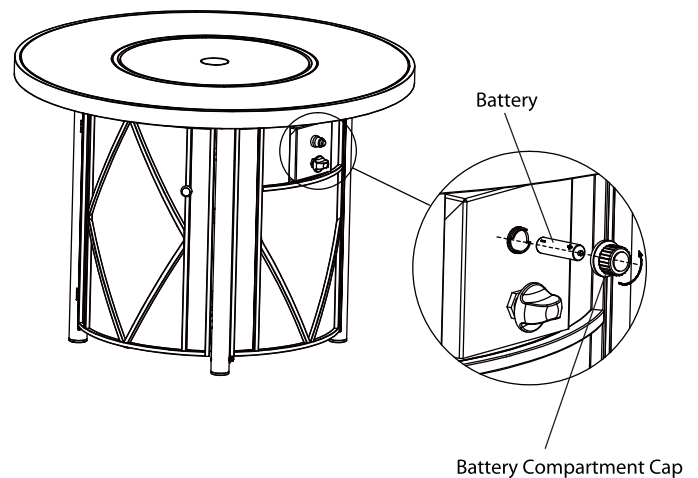
### 6 Attaching the Door Panel

- Attach the door handle (K) to the door panel (J).  
Next attach the door panel (J) to the leg (C) with four ST4.2 x 9.5 self-tap screws (CC)



### 8 Installing a Battery

- Unscrew the battery compartment cap on the control panel and install one AA battery (not included) with the anode end of the battery located towards the battery compartment cap.



# Cylinder Installation

## PLANNING INSTALLATION

Use two or more people for an easier installation.

Your fire pit must be installed on flat, stable surface, away from any combustible materials or construction.

Place the fire pit on any level, outdoor, non-combustible surface.

Do not place the fire pit on grass or dirt.

### 1 Placing the Gas Cylinder

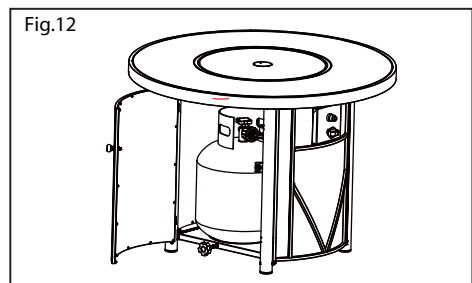
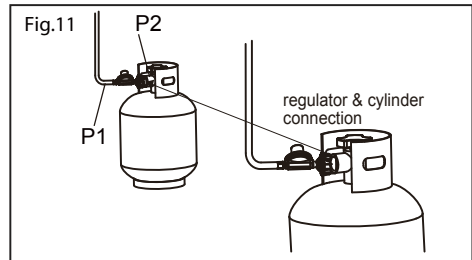
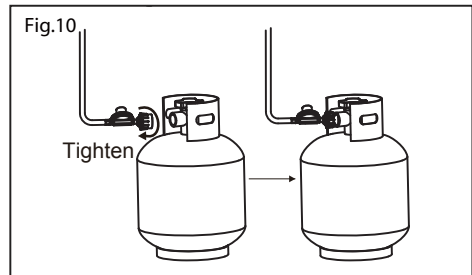
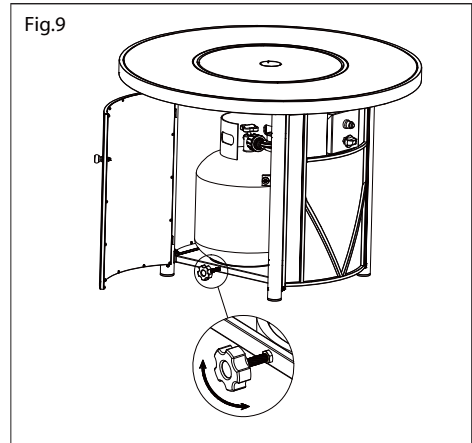
Open the door panel (J) and place the cylinder in the holder assembly. Turn the cylinder clamp screw clockwise to secure the gas cylinder. See Fig. 9.

### 2 Attaching the Regulator

Attach the regulator to the cylinder and turn clockwise by hand. See Fig. 10.

### 3 Checking for Leaks

Check your fire pit for leaks before use. See Fig. 11.



**WARNING:** After the cylinder is connected, the correct position for the gas cylinder is the valve facing the burner assembly as pictured.



**NOTE:** Your gas fire pit has been checked at all connections at the factory for leakage. In transportation and handling some connections may have loosened. Follow these steps to check the hose/regulator/cylinder connections:

- 1) Make leakage solution by mixing 1 part liquid dish soap and 3 parts water.
- 2) Spoon or brush several drops (or use squirt bottle) of the solution onto the hose/regulator/cylinder connection.
- 3) Turn on the gas cylinder. Inspect the connections and look for bubbles.
- 4) If no bubbles appear, the connection is safe.
- 5) If bubbles appear, there is a leak. Loosen and re-tighten this connection. If there is still a leak, please call customer service.



**WARNING:** Do not use an open flame to check for leakage. Do not smoke during testing. Do not test indoors. A leak check must be performed whenever the gas cylinder is replaced.