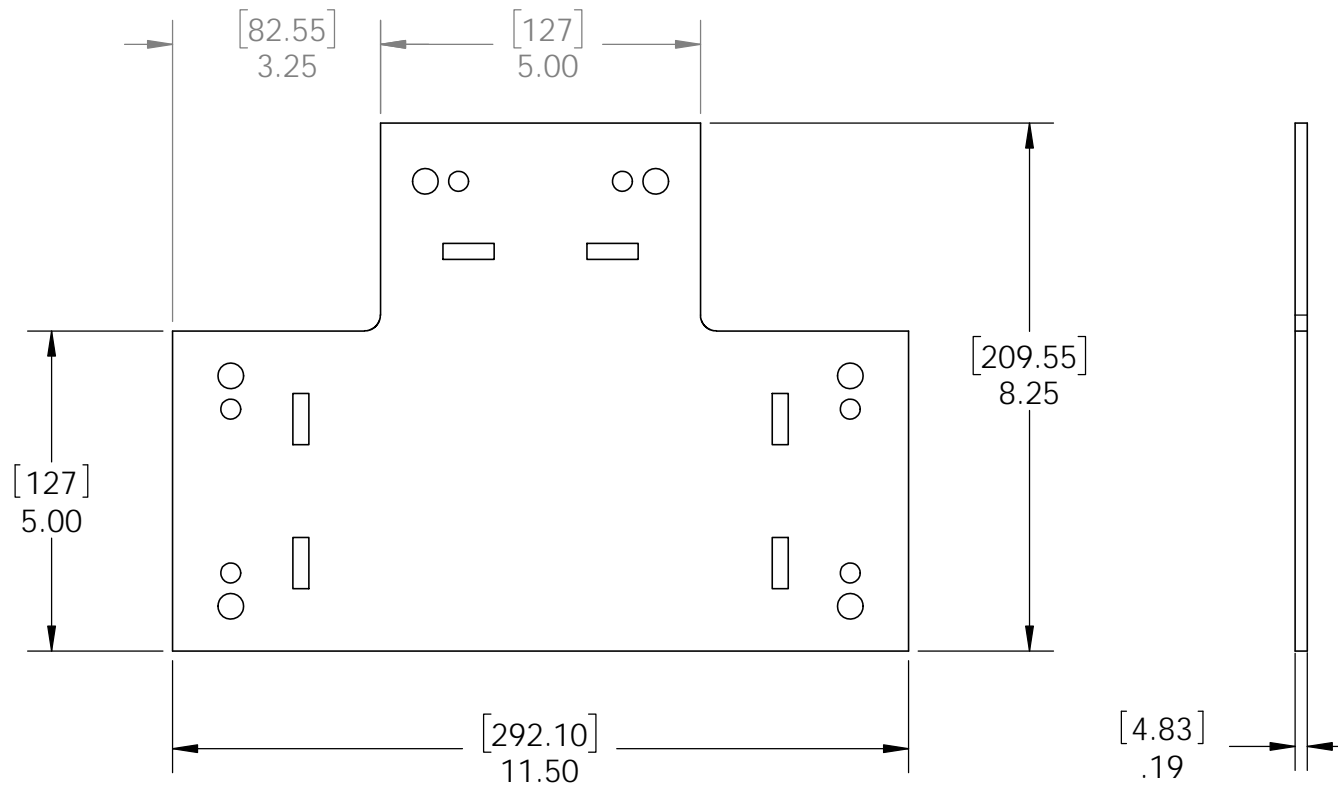


Weight: 3.85 LBS
Scale: 1:3
Last updated: 10/10/2016

56612-10

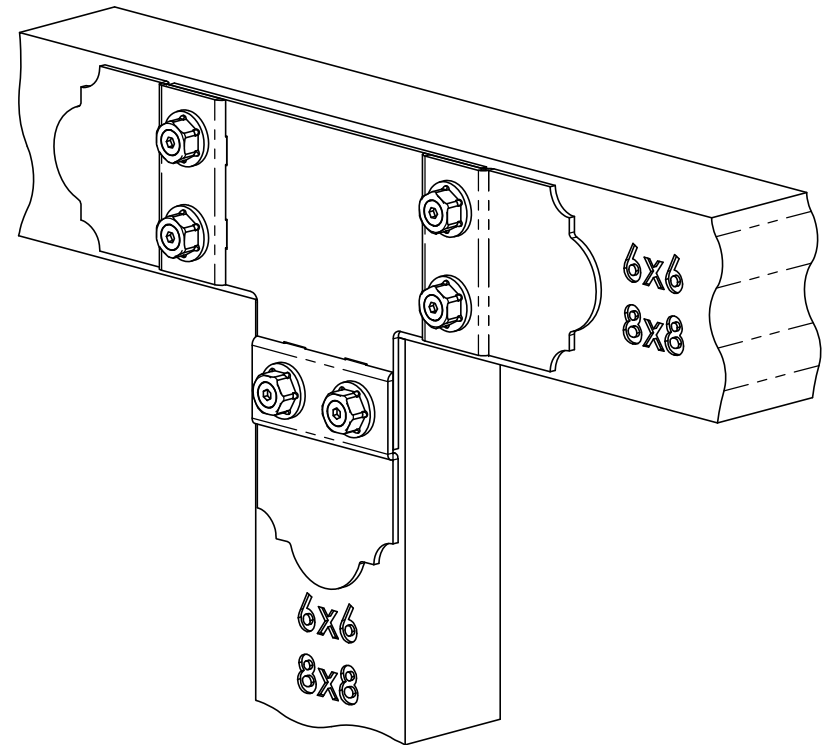
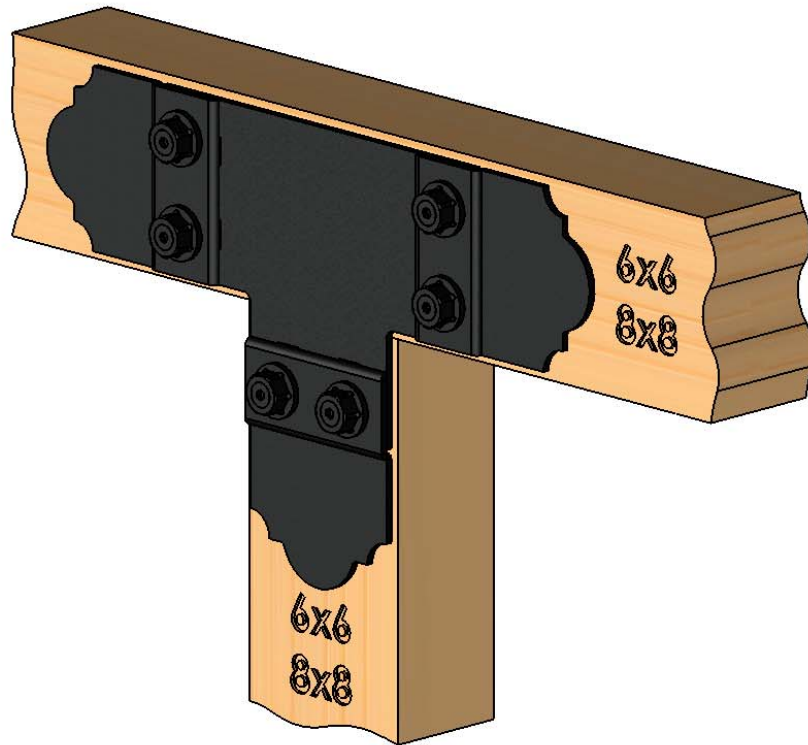


Weight: 3.85 LBS
 Scale: 1:3
 Last updated: 10/10/2016

Product & Packaging Specs

"T" Tie Plate (TTP)

Item #: Typical Installation & Basic Assembly



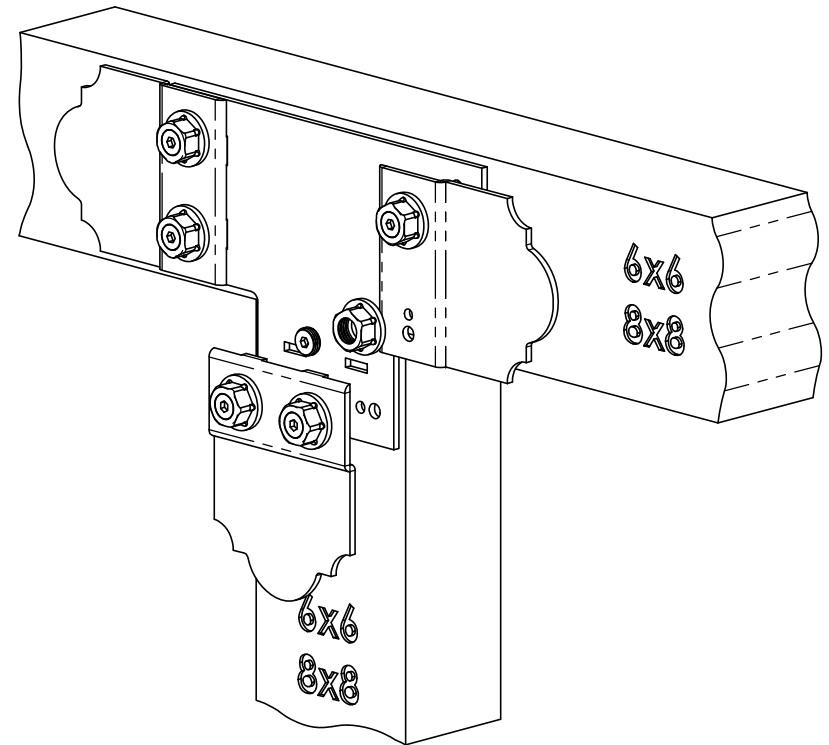
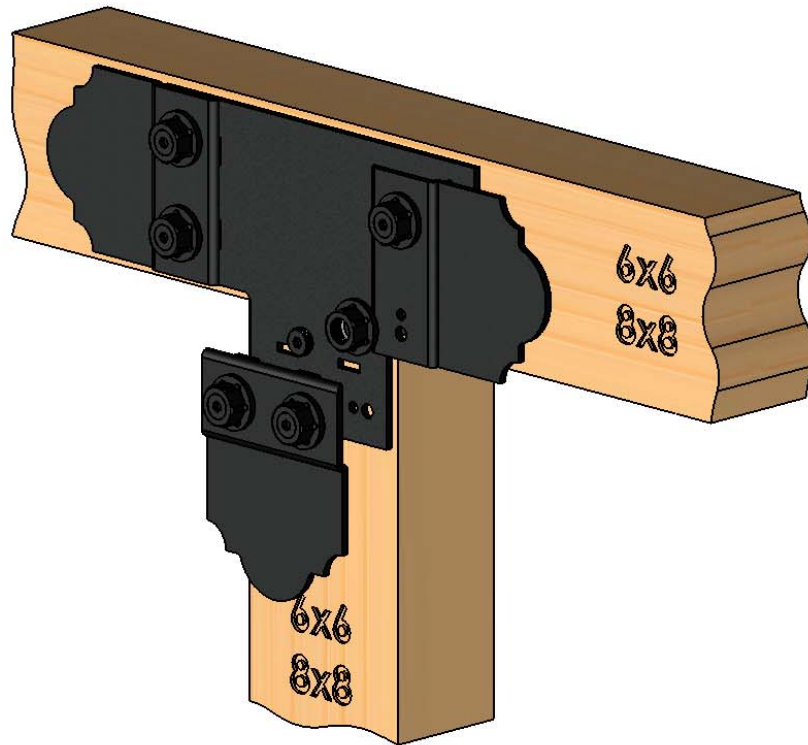
Weight: 9.26 LBS
Scale: 1:5
Last updated: 10/10/2016

56612-10

Product & Packaging Specs

"T" Tie Plate (TTP)

Item #: Typical Installation & Basic Assembly



Weight: 9.26 LBS
Scale: 1:5
Last updated: 10/10/2016

56612-10



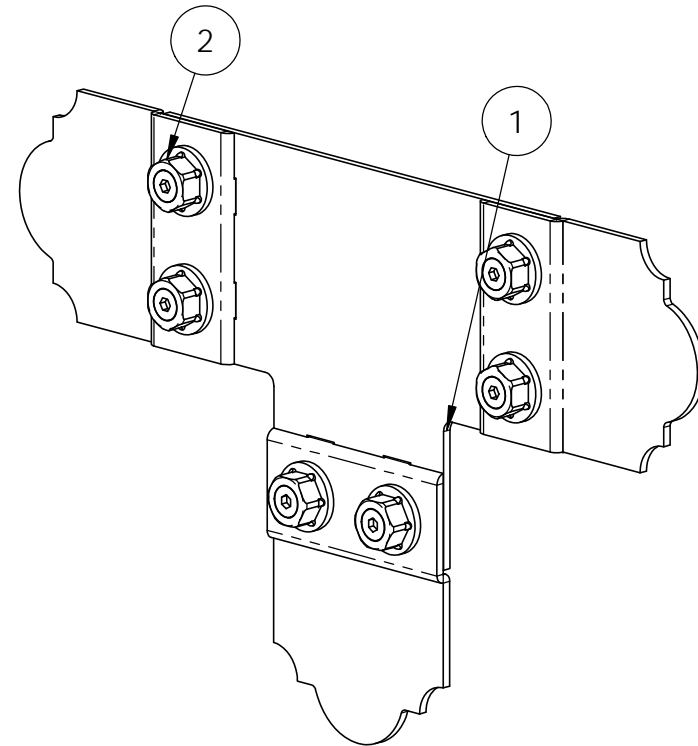
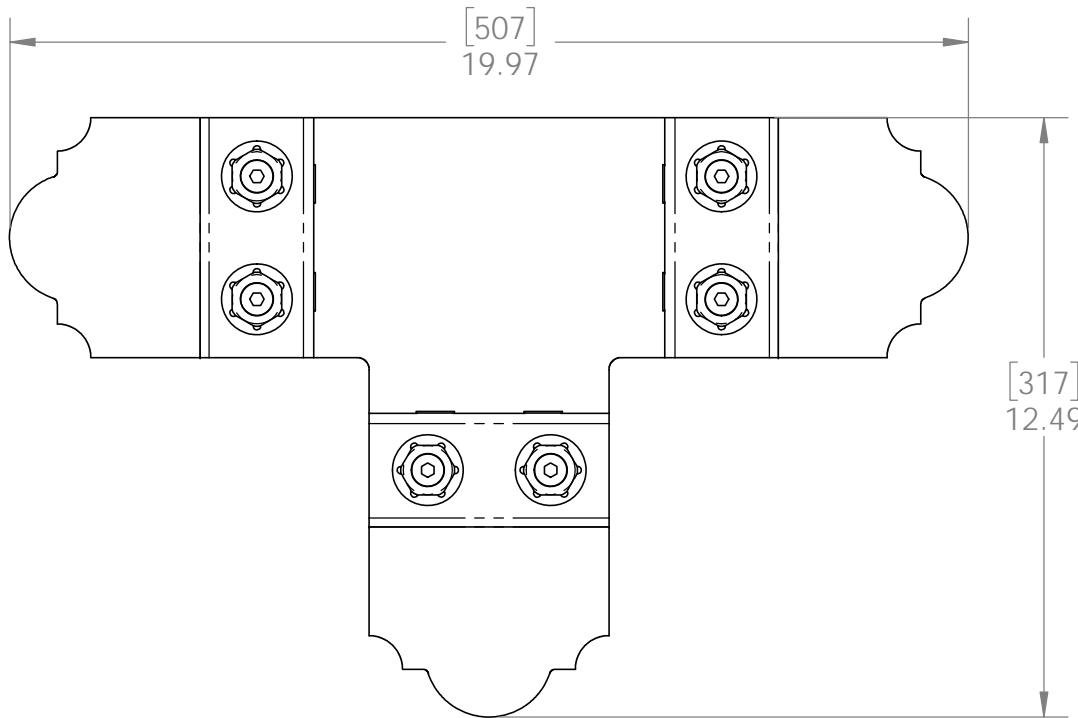
OZCO BUILDING PRODUCTS

Product & Packaging Specs

"T" Tie Plate (TTP)

Item #: 56612

ITEM NO.	QTY.	PART NUMBER	DESCRIPTION
1	0.5	56612	"T" Tie Plate (TTP)
2	1.5	56611	Truss Accent (TA-LS)



Weight: 9.26 LBS
 Scale: 1:8
 Last updated: 10/10/2016

56612-10

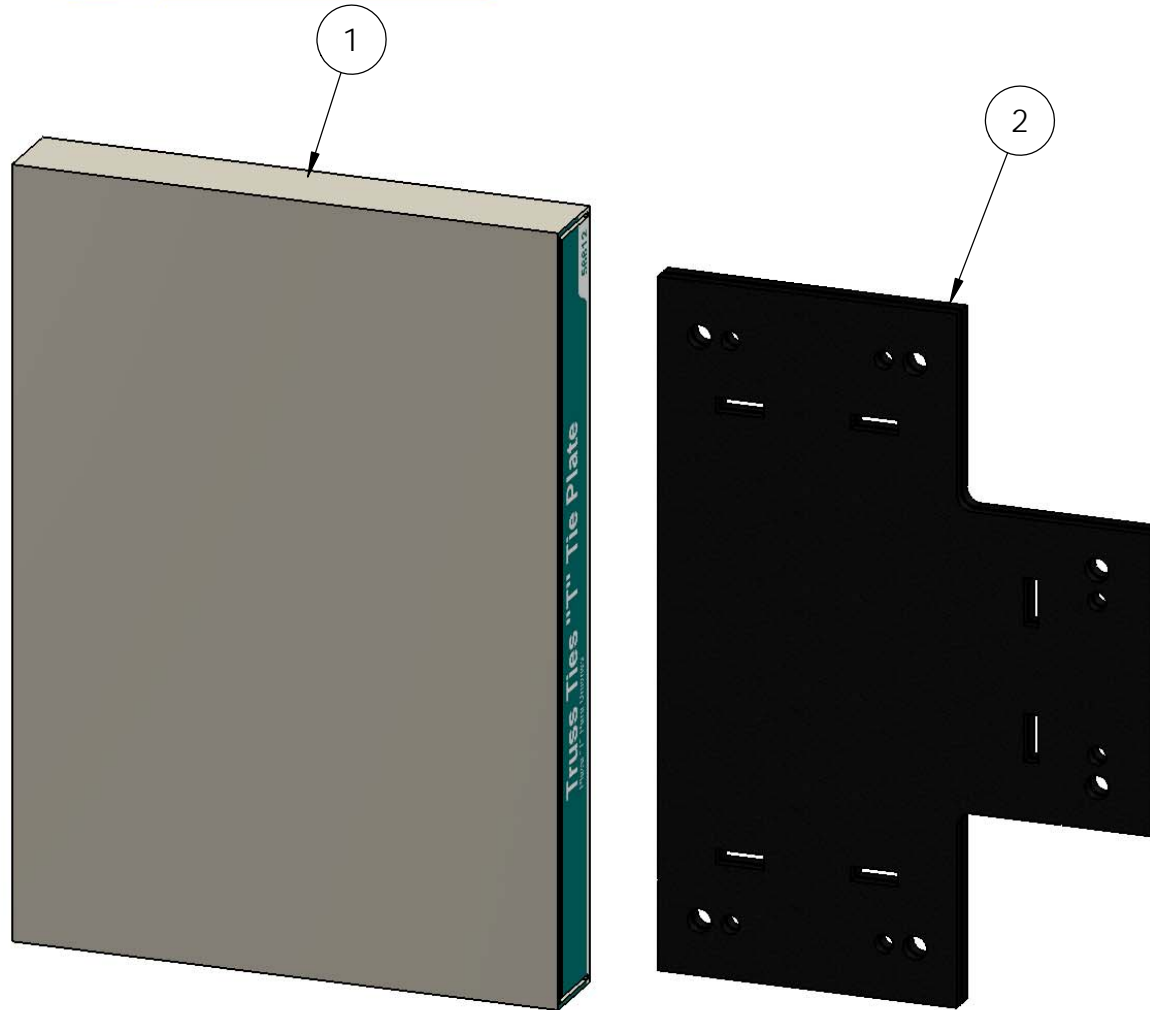
not sold as shown; for use in Projects only
 end user must choose Timber Screws or Timber Bolts

V2.00 - Installation Instructions, Specifications and Project Plans are effective 10/10/2016. This information is updated periodically and should not be relied upon after 2 years from 10/10/2016. Please visit OZCOBP.com to get current information.

Product & Packaging Specs

56612 Packing

Item #: Box packing



ITEM NO.	QTY.	PART NUMBER	DESCRIPTION
1	1	56612 T-Tie Plate Box	Box, T-Tie Plate
2	1	56612	"T" Tie Plate (TTP)

items not shown:

- installation instructions
- parts wrapped in packing foam sheet

Weight: 7.82 LBS

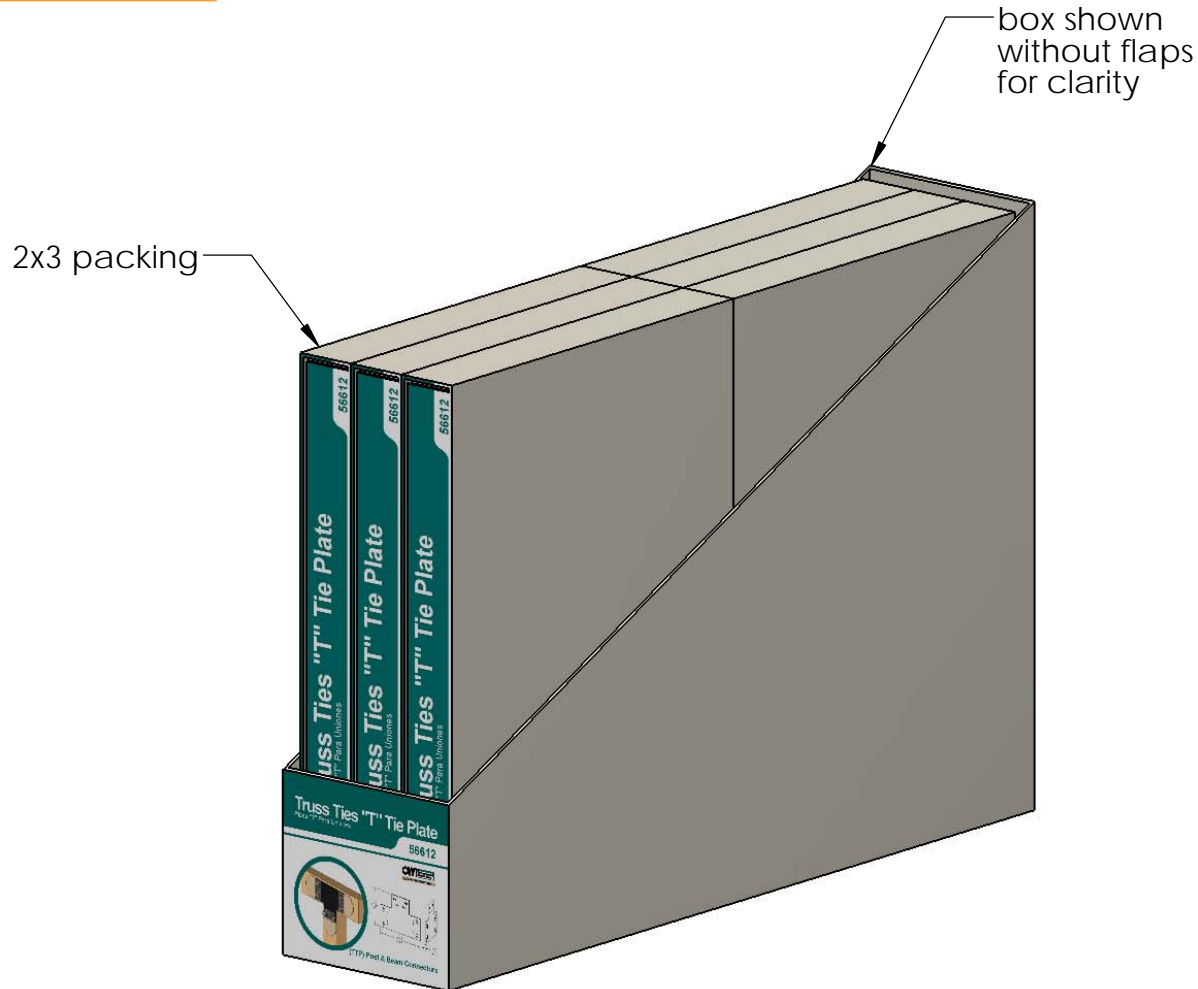
Scale: 1:3

Last updated: 10/10/2016

Product & Packaging Specs

56612 Packing

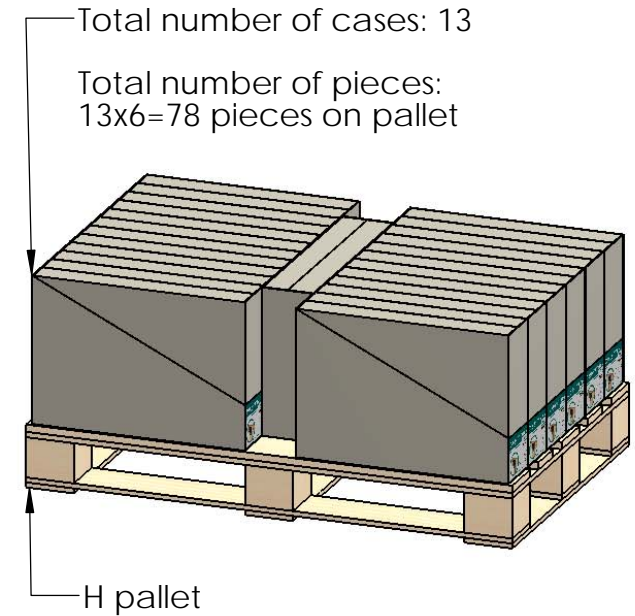
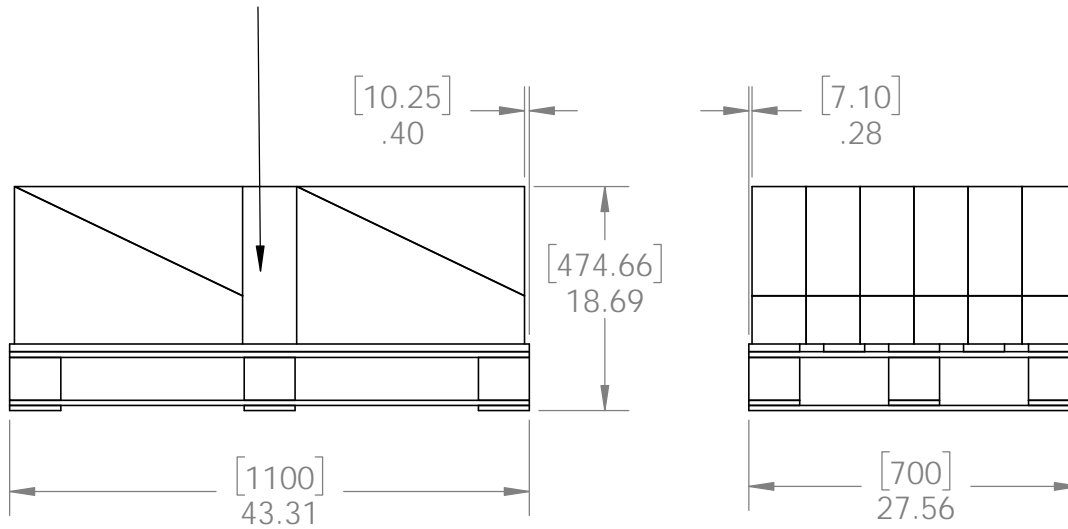
Item #: Case packing



Weight: 40 LBS
Scale: 1:4
Last updated: 10/10/2016

56612-10

Item #: **56612** | **TTP**
 "T" Tie Plate
PALLET | **78 pcs**
 SKU#: **56812** 
 Weight: **662** lbs
 LOT# _____ Priority# _____ 



additional pallet packing instructions

- plywood on top layer
- strap to pallet
- clear wrap around boxes

Weight: 662 LBS
 Scale: 1:16
 Last updated: 10/10/2016