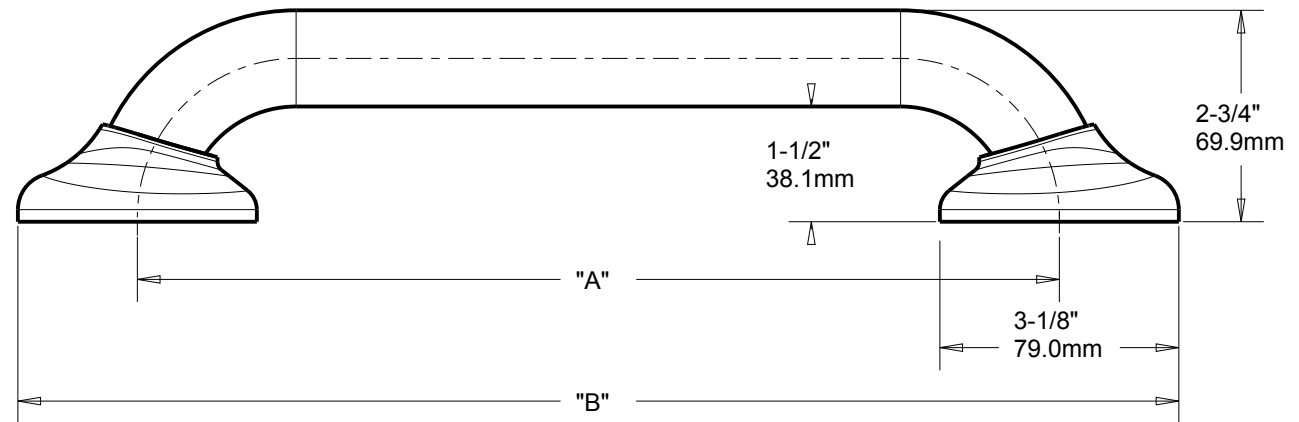
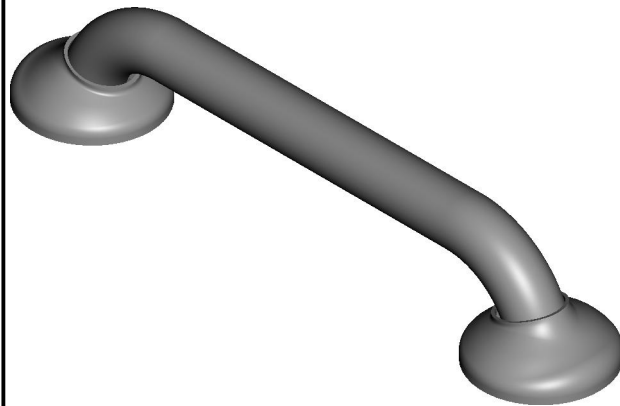


Lahara - Grab Bar

Decorative Grab Bar



MATERIALS: Grab bar is constructed using 1-1/4" diameter 20 gauge 304 stainless steel tubing. Decorative posts and trim rings are cast in zinc. Trim rings are held in place using a friction fit. Meets ADA and ANSI A117.1-2003 for form and load bearing requirements.

INSTALLATION: Install grab bar with 3-#10x2-1/2" flat head stainless steel screws provided for each end wall flange. Slide cover flanges over wall flanges and press firmly to complete installation.

OPTIONAL FASTENER INFORMATION: Wall studs or wood blocking is preferable behind all wall surfaces. If wood blocking is not available. The following fasteners are suggested: Non-Stud Wall anchor.

SPECIFICATION: Surface mounted grab bar shall be model _____ (fill in model number) by Liberty Hardware Manufacturing Corporation.

LENGTH	9" 228.6 mm	16" 406.4 mm	24" 609.6 mm
DIM "A"	9" 228.6 mm	16" 406.4 mm	24" 609.6 mm
DIM "B"	12-1/8" 307.6 mm	19-1/8" 485.4 mm	27-3/32" 688.6 mm

