


Earlex[®]
HG2000
LCD Heat Gun

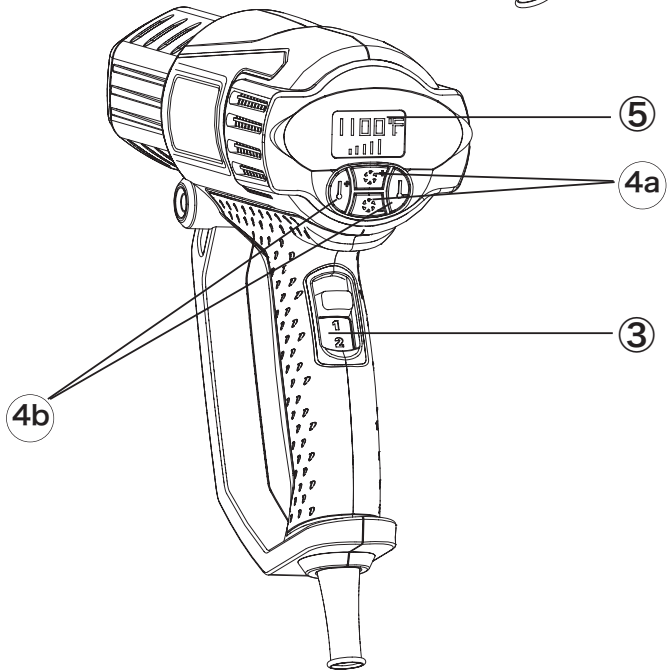
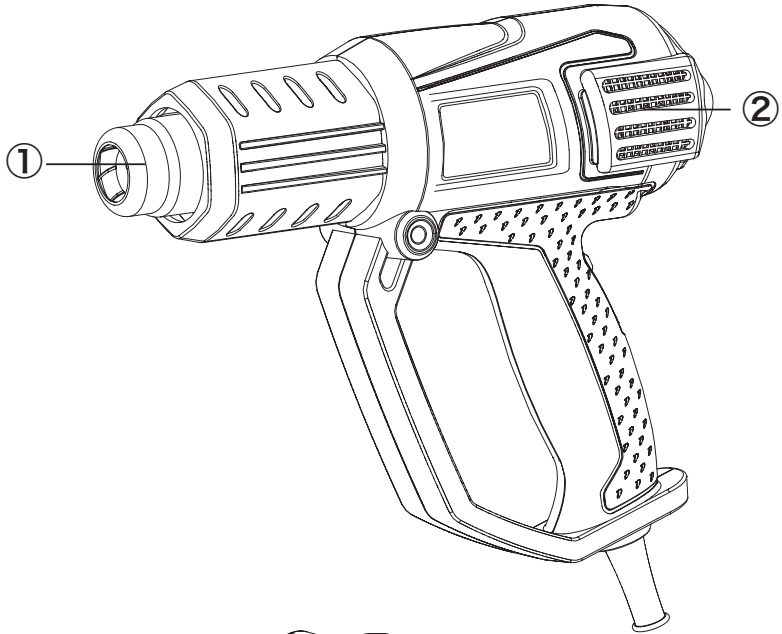


Thank you for purchasing an Earlex LCD Heat Gun.
This is a highly versatile tool that can be used for a
variety of applications.

**BEFORE USE - PLEASE READ THE SAFETY &
OPERATING INSTRUCTIONS**

Please retain for future reference

HEAT GUN FEATURES



1. INTRODUCTION

Your heat gun has been designed for stripping paint, soldering pipes, shrinking PVC, welding and bending plastic as well as general drying and thawing purposes.



WARNING! For your own safety read this instruction manual and general safety instructions carefully before using the appliance. Your power tool should only be passed on together with these instructions.

2. DESCRIPTION

- ① Nozzle
- ② Ventilation Slots
- ③ On/Off & Control Switch (0/1/2 settings)
- ④ Temperature & Air Flow Adjusting Buttons
- ⑤ LCD Digital Display

3. UNPACKING

- Remove all packing materials.
- Remove remaining packaging and transit supports if any.
- Check all contents are included in the packaging.
- Check the appliance, the power cord, the power plug and all accessories for transportation damage.
- It is recommended to keep the packaging materials until the end of the specified warranty period. Dispose of relevant materials using your local waste disposal system on expiry of warranty.



WARNING! Packing materials are not toys! Children must not play with plastic bags! Danger of suffocation!

4. PACKING LIST

- Heat gun
- Set of accessories (see page 7 for a list of accessories)
- Instruction manual

When parts are missing or damaged, please contact your dealer.

5. GENERAL POWER TOOL SAFETY WARNING

Read all safety warnings and instructions. Failure to follow such may result in electric shock, fire and/or serious injury. Save all safety warnings and instructions for future reference.

5.1 WORK AREA SAFETY

- Keep work area clean and well lit. Cluttered and dark areas invite accidents.
- Do not operate power tools in explosive atmospheres, such as in the presence of flammable liquids, gases or dust. Power tools create sparks which may ignite the dust or fumes.
- Keep children and bystanders away while operating a power tool. Distractions can cause you to lose control.

5.2 ELECTRICAL SAFETY

- Power tool plugs must match the mains supply socket-outlet. Never modify the plug in any way.
- Avoid body contact with earthed or grounded surfaces such as pipes, radiators, ranges and refrigerators. There is an increased risk of electric shock if your body is earthed or grounded.
- Do not use on materials of or containing asbestos.
- **DO NOT EXPOSE POWER TOOLS TO RAIN OR WET CONDITIONS.**
- Do not abuse the power cord. Never use the power cord for carrying, pulling or unplugging the power tool. Keep power cord away from heat, oil, sharp edges or moving parts.
- When operating a power tool outdoors, use an extension cord suitable for outdoor use, i.e. type SxW where x is any combination of J,E,O or T. Extension cord rating for this heat gun shall be 13A (1625W) maximum at 125V maximum.
If under 50ft length, 16 AWG minimum size is required.
If over 50ft length, 14 AWG minimum size is required.
- If this heat gun is used outdoors, an approved 125V 15A rated ALCI (Appliance Leakage Current Interrupter) 6mA trip protected circuit must be used for added protection against electric shock.

5.3 PERSONAL SAFETY

- Stay alert, follow directions stated in the instruction manual and use common sense when operating a power tool.
- Do not use a power tool while you are tired or under the influence of drugs, alcohol or medication.
- Use safety equipment. It is recommended to wear eye protection. We recommend wearing a pair of heavy grade non-pvc type work gloves for protection against burns.
- Avoid accidental starting by ensuring the switch is in the off "0" position before plugging in.
- Do not overreach. Keep proper footing and balance at all times.
- Do not wear loose clothing or jewellery. Keep your hair, clothing and gloves away from moving parts.
- If heat gun or power cord is damaged upon receipt, DO NOT USE. Return to point of purchase.

5.4 HEAT GUN USE AND CARE

- Do not use the heat gun if the switch does not turn on and off. Any power tool that cannot be controlled with the switch is dangerous AND SHOULD NOT BE USED.
- Maintain power tools. Check for misalignment or sticking of moving parts, breakage of parts and other conditions that may affect operation of the power tool. If damaged, DO NOT USE.
- Use the heat gun and accessories in accordance with these instructions and in the manner intended for the particular type of power tool, taking into account the working conditions and the work to be performed.

5.5 SERVICE

Have your heat gun serviced only by Earlex Inc or its appointed agents to ensure the safety of such is maintained.

6. ADDITIONAL SAFETY INSTRUCTIONS FOR HEAT GUNS

- Do not place your hand over the air vents or block the vents in any way.
- The nozzle and accessories of this tool become extremely hot during use. Let these parts cool down before touching.
- Always switch the tool off before putting it down.
- Do not leave the tool unattended while it is switched on.
- A fire may arise if the appliance is not used with care.
- Heat may be conducted to combustible or readily-flammable materials that are out of sight. Do not use in a damp atmosphere where flammable gases may be present or near combustible materials such as paper, cardboard or fabric (ignite easily when exposed to high temperatures).
- Allow the tool to cool fully before storing.
- Ensure adequate ventilation as toxic fumes may be produced.
- Do not use as a hairdryer.
- Do not obstruct either the air intake or nozzle outlet as this may cause excessive heat build-up resulting in damage to the tool.
- Do not direct the hot air blast at other people or animals.
- Do not touch the metal nozzle as it becomes very hot during use and remains hot for up to 30 minutes after use.
- Do not place the nozzle against anything while using or immediately after use.
- Do not poke anything down the nozzle as it could give you an electric shock. Do not look down the nozzle while the unit is working because of the high temperature being produced.
- Do not allow paint to adhere to the nozzle or scraper as it could ignite after some time.
- Do not change/rotate the nozzle while the unit is turned on.
- Do not allow children to operate or play with the heat gun.
- Do not allow heat to be directed onto the power cord.
- Do not apply to the same place for a long time.

7. REMOVING PAINT

- Do not use this tool to remove paint containing lead. The peelings, residue and vapours of paint may contain lead, which is poisonous. Any pre-1960 building may have been painted with paint containing lead and covered with additional layers of paint.
- If paint containing lead is removed, hand-to-mouth contact can result in ingestion of lead.
- Exposure even to low levels of lead can cause irreversible damage to the brain and nervous system. Young and unborn children are particularly vulnerable.
- When removing paint wear a dust mask.
- Do not burn the paint. Use the scraper and keep the nozzle at least 25mm/ 1inch away from the painted surface. When working in a vertical direction, work downwards to prevent paint from falling into the tool and burning.
- Dispose of all paint debris safely and ensure that the work area is thoroughly cleaned after completing the work.

8. ASSEMBLY AND ADJUSTMENT



Prior to attaching or swapping nozzle accessories always unplug the tool and allow to cool completely.







The air temperature can be adjusted to suit a wide range of applications. The table below suggests different applications.

Applications
■ Drying paint, varnish color shade samples, filler, adhesives, construction joints and stucco forms
■ Drying wet timber prior to filling
■ Removing stickers
■ Joining adhesives-Large-surface gluing with contact adhesives, activation of pressure-sensitive adhesives, acceleration of bonding processes, releasing of bonding points as well as releasing or bonding of edge band or veneer
■ Waxing and de-waxing
■ Shrinking PVC wrapping and insulation tubes
■ Thawing icy stairs and steps, door locks, car boot lids, car doors or water pipes
■ Welding of thermoplastic polymer, flooring materials of PVC and linoleum, PVC-coated fabric, tarpaulins and foils
■ Bending plastic pipes and sheets
■ Soldering plumbing joints, tin, special silver solder, SMD elements, cable lugs
■ Loosening rusted or tightly-fastened nuts and bolts
■ Removing old and even thick coatings of oil-paint, lacquer, varnish and synthetic plaster
■ Softening paint caulking and putty
■ Lighting charcoal



If you are not sure about the correct setting, start with a low temperature setting and gradually increase the temperature until you achieve optimum results.

8.1 USING THE CORRECT ACCESSORY (where applicable)

Icon	Description	Purpose
	Glass protection nozzle accessory	Deflects the heat away from glass or other fragile areas. Ideal for window sills, ledges, frames and base boards.
	Hook nozzle accessory	Disperses the heat flow evenly around the whole work surface. Ideal for thawing frozen pipes, soldering pipe work, bending plastics or heat-shrinking electrical insulating tubing.
	Concentrator nozzle accessory	Directs a concentrated heat flow to the work surface. Ideal for removing paint in awkward corners, crevices, mouldings or beading.
	Deflector nozzle accessory	Directs a long, narrow heat pattern to the work surface. Ideal for removing paint or varnish from large, flat surfaces such as base boards, doors, stairs, etc. It should be used in conjunction with a flat scraper. Vinyl tiles can be removed by softening the tile and adhesive.
	Scraper	Stripping paint, varnish and removing vinyl tiles.
	Detailed scraper	Stripping paint and varnish from window sills.



- Touching a hot nozzle can lead to serious burns. Before attaching or replacing a nozzle allow the unit to cool down completely by turning it off.
- Dropped nozzles can set objects on fire. Nozzles must be firmly fitted and secure on the unit.
- A hot nozzle can set a surface on fire. Place hot nozzles down only on fire-proof surfaces.
- An incorrect or defective nozzle can lead to heat accumulation and damage the unit. Use only original nozzles as shown in the table.

9. INSTRUCTIONS FOR USE

- Always observe the safety instructions and Health and Safety Regulations.
- Use only one hand to hold the tool, do not place your other hand over the air vents.
- Prior to operation, fit the correct accessory to the heat gun nozzle ① for the application.

9.1 SWITCHING ON AND OFF

- To switch the heat gun on, set control switch ③ to position 2. Some smoke may be emitted after switching on; this does not indicate a problem.
- To switch the heat gun off, adjust control switch ③ to position 1 - "cool down mode". Let the heat gun cool down for 10 minutes, then set control switch ③ to position 0 before moving or storing it.

9.2 TEMPERATURE SETTING

- Turn control switch ③ to position 2. The heat gun will start to blow warm air.
- Temperature can be adjusted in increments of 20°F from 120°F to 1200°F by pressing the temperature adjusting buttons ④b. The LCD digital display ⑤ will display the temperature in °F.
- Air speed can be adjusted by pressing the air flow adjusting buttons ④a. The LCD digital display will display the air speed with bar icons.



9.3 BEFORE STRIPPING PAINT

- Fit the appropriate accessory to the nozzle ① for area to be worked.
- Switch the tool on to position 2 using the control switch ③.
- Set temperature to appropriate heat setting using the temperature and air flow adjusting buttons ④b and ④a respectively.
- Direct the hot air onto the paint to be removed.
- When the paint softens, scrape the paint away using the appropriate scraper.



Do not strip metal window frames as the heat may be conducted onto the glass and crack it. When stripping other window frames use the glass protection nozzle.

To prevent igniting the surface do not keep the tool directed at one spot too long.

Avoid collecting paint on the scraper accessory as it may ignite. If necessary, carefully remove paint debris from the scraper accessory using a knife.

9.4 STATIONARY USE

- This tool can also be used in stationary mode.
- Place the tool onto the work bench with the gun nozzle ① facing upwards.
- Secure the power cord to prevent pulling the tool off the workbench.
- Switch the tool on using the control switch ③ and set to position 2.

9.5 COOLING DOWN

The nozzle and accessory become very hot during use. Let these cool down before attempting to move or store the tool.

- To reduce cooling time set control switch ③ to position 1 - "cool down mode" and allow to run for 30 minutes.
- Switch the control switch ③ to position 0 and ensure heat gun in cool before moving or storing.

10 MAINTENANCE AND CLEANING



ATTENTION! Before cleaning or performing any maintenance on the heat gun, disconnect from the power supply.

10.1 MAINTENANCE

- Your heat gun has been designed to operate over a long period of time with minimal maintenance. Continuous satisfactory operation depends upon proper tool care and regular cleaning.

10.2 LUBRICATION

- Your heat gun requires no additional lubrication.

10.3 CLEANING

- Keep the ventilation slots clean and free from dust and dirt to prevent overheating.
- Regularly clean the gun housing with a soft cloth, preferably after each use. If the dirt does not come off use a soft cloth moistened with soapy water.



Never use solvents such as petrol, alcohol, ammonia water, etc. These solvents may damage the plastic parts.

11. TECHNICAL DATA

Power Supply	120V 60Hz
Max Output	1500W
Air Temperature / Flow	1) 120°F; 250-500L/min 2) 120-1200°F 250-500L/min

12. TROUBLESHOOTING

If a problem occurs, immediately switch off or unplug the unit at the power supply.

DOUBLE INSULATION



In a double-insulated appliance, two systems of insulation are provided instead of grounding. No grounding means is provided on double-insulated appliance, nor should a means for grounding be added to the appliance. Servicing a double-insulated appliance requires extreme care and knowledge of the system, and should only be carried out by qualified service personnel. Replacement parts for a double-insulated appliance must be identical to the parts they replace. This double-insulated appliance is marked with the DOUBLE-INSULATED or DOUBLE-INSULATION symbol.



WARRANTY

This product is guaranteed for a period of 24 months against faulty materials and workmanship. While every possible care is taken by Earlex Inc to ensure that our products leave the factory in good working order, Earlex Inc cannot under any circumstances accept liability for problems or damage caused by their subsequent use. It is the responsibility of the user to ensure that surfaces to be treated, cleaned or stripped are suitable for this product. This warranty does not affect your statutory rights. This warranty excludes the use for hire purposes. In the event of a fault occurring please contact our helpline before returning the unit to our Service Department at the address below together with a copy of your purchase receipt. All repairs will be dealt with promptly.

PLEASE NOTE: We have done all we can to ensure that, when used correctly and according to these instructions, this heat gun will give a long and trouble-free life. We accept no responsibility for damage caused by the use of incorrect or unsuitable substances, paints or fluids which have not been thinned correctly or are unsuitable for the surfaces to which they are applied, health hazards arising from lack of ventilation when working in confined spaces or failure of the equipment due to inadequate cleaning of the components after use. If in doubt, always test a small inconspicuous area first. Always read the paint manufacturer's instructions first. Neither our warranty nor the above statement affects your statutory rights.

Earlex Inc reserves the right to modify or improve this product without prior notice.
Colors may vary from those shown.

Questions? Call toll free: 888-783-2612



Earlex Inc
8261 Highway 73, Suite F,
Stanley, N.C. 28164, USA
Toll Free 888-783-2612

Email: questions@earlex.com Website: www.earlex.com

Notes



Earlex Inc
8261 Highway 73, Suite F,
Stanley, N.C. 28164, USA
Toll Free 888-783-2612

Email: questions@earlex.com Website: www.earlex.com