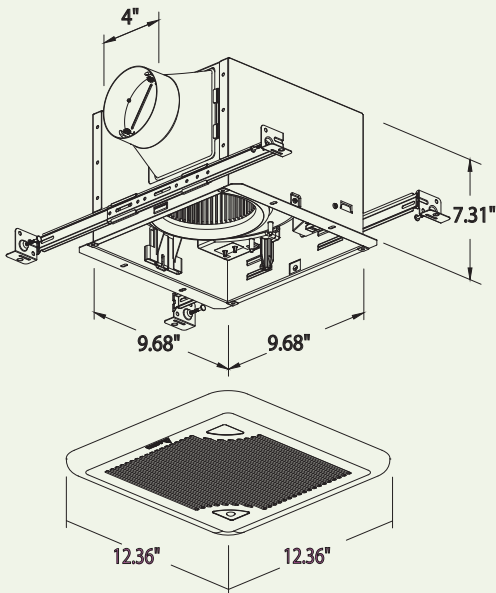




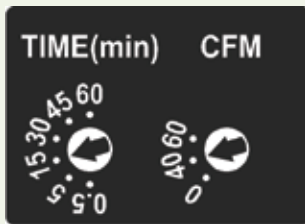
Delta BreezSignature G2 Ventilation Motion Sensor Fan Specifications

SIG80M
(80 CFM)

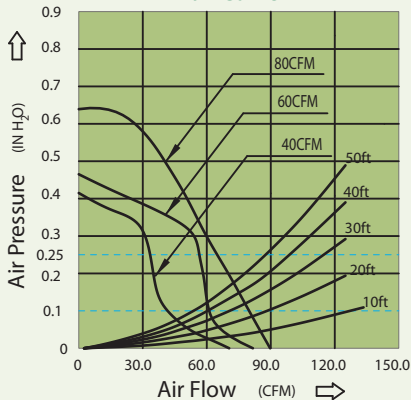
Dimensions



Built-in Controls



Fan Curve



Description

Low noise ceiling mount ventilating fan rated for continuous running. Fan has been awarded ENERGY STAR® Most Efficient in 2013. It is HVI, UL, and cUL certified, and can be used to comply with ASHRAE 62.2 (local and whole building continuous and intermittent operation), CA Title 24, and CALGreen requirements.

Motor/Blower

- Power rating of 120volts/60Hz
- DC brushless motor engineered to run continuously
- Motor equipped with thermal cutoff fuse
- Removable with permanently lubricated plug-in motor

Housing

- Galvanized steel body
- Detachable 4" diameter metal duct adapter
- Built-in backdraft damper
- Easy installation with expandable extension bracket

Grille

- Attractive design using ABS material
- Attaches directly to housing with torsion springs

Warranty

- 3-year limited warranty

Features

- Green and amber LED indicator lights to show continuous low speed and full speed modes
- Adjustable low speed airflow and delay time
- For ceiling mount only, airflow of 80 CFM ($\pm 10\%$) and < 0.3 sones at 0.1" static pressure
- Power consumption approximately 8.2 Watts with an efficiency rating approximately 9.8 CFM/Watt at 0.1" static pressure
- When motion is detected, fan runs at full speed (80 CFM). When user leaves, fan remains running at full speed until user-preset delay time has passed. Fan runs continuously at a user-preset lower level (0, 40, 60 CFM)
- Delay time preset positions (0.5, 5, 15, 30, 45, 60 minutes)
- UL and cUL listed for tub/shower enclosure when used with GFCI-protected branch circuit wiring

DC Motor Technology

- Built-in soft start function to increase bearings' life
- Automatically powers off when the impeller is locked abnormally

Specifications

SIG80M	4" Duct (Standard)					
	Continuous Low Speed				High	
Fan Speed						
Static Pressure (Inches w.g.)	0.1	0.25	0.1	0.25	0.1	0.25
Air Flow (CFM)	40	34	60	56	80	65
Sones	< 0.3	0.3	< 0.3	0.4	< 0.3	0.5
Power Consumption (Watts)	5.0	9.0	6.2	10.8	8.2	10.8
Energy Efficiency (CFM/Watt)	8.4	4.0	9.9	5.3	9.8	6.0
Current (Amps)	0.30 Max					
Power Rating (V/Hz)	120/60					