

# KOHLER®

## Cimarron® The Complete Solution® Toilet K-11451

### Features

- Vitreous china.
- Two-piece toilet.
- Comfort Height® Elongated bowl.
- AquaPiston® flushing system.
- Complete Solution® includes seat, cover, wax ring, left-hand polished chrome trip lever, and floor hardware.
- Quick-Attach™ Quick-Release™ toilet seat.
- 1.28 gpf (4.8 lpf).
- 2-1/8" (54 mm) fully glazed trapway.
- 12" (305 mm) rough-in.
- Less supply.
- 10-1/2" (267 mm) x 7-7/8" (200 mm) water area.
- 28-3/4" (730 mm) x 17-5/8" (448 mm) x 30-3/4" (781 mm).
- Floor mount / Floor outlet.

### Recommended Accessories

- K- 4660 Toilet Seat
- K- 7637 Angle Supply with Stop (single)

### Components

Product includes:

- K- 4421 Toilet Tank
- K- 4309 Elongated Toilet Bowl
- K- 4774 Toilet Seat

Additional included component/s: Tank cover, Trip lever, Bolt cap accessory pack, Tank accessory pack, and Wax ring and hardware installation kit.



### Codes/Standards

ASME A112.19.2/CSA B45.1  
DOE - Energy Policy Act 1992  
EPA WaterSense®


### KOHLER® One-Year Limited Warranty

See website for detailed warranty information.

### Available Color/Finishes

*Color tiles intended for reference only.*

Color	Code	Description
-------	------	-------------

	0	White
--	---	-------

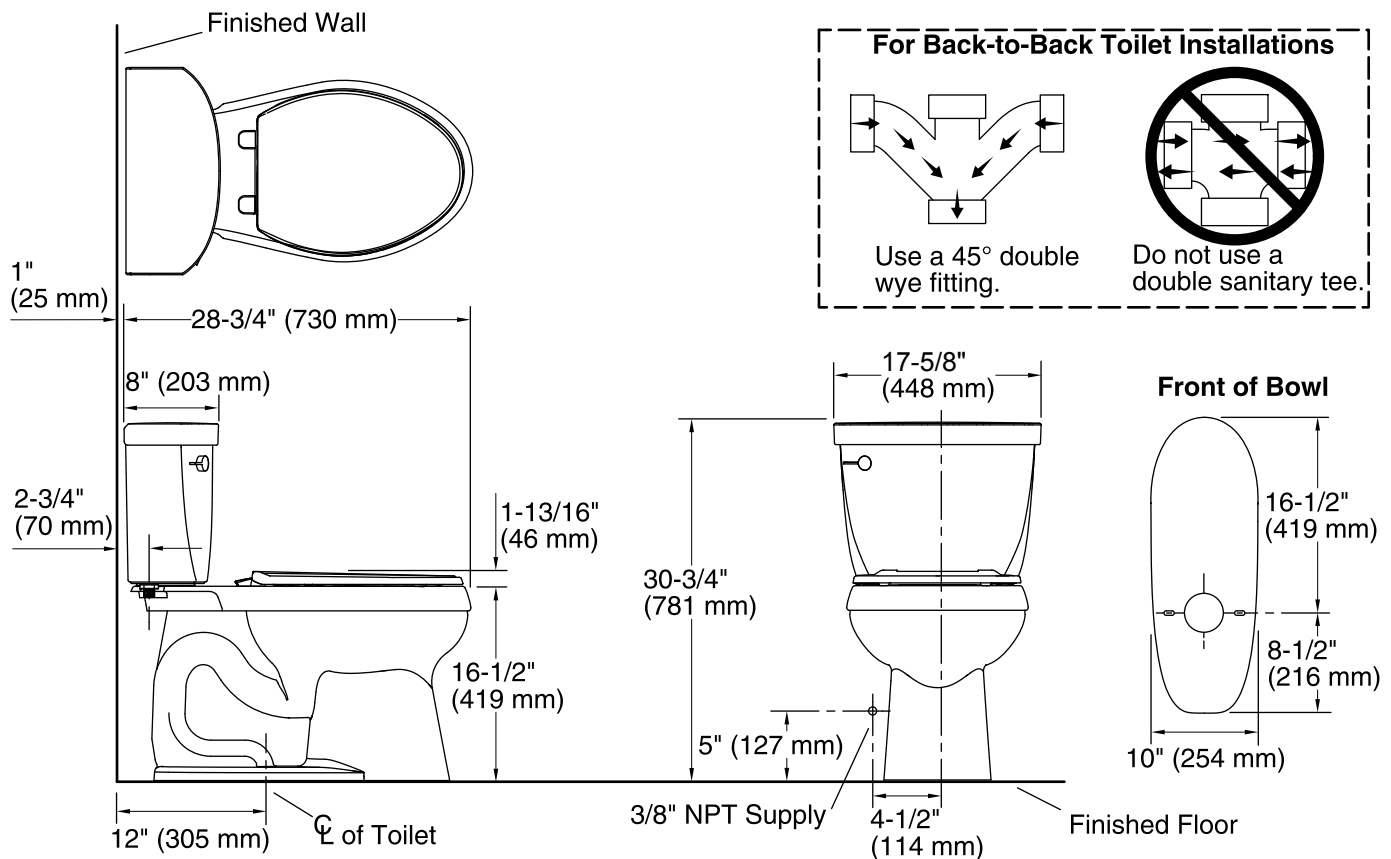
USA/Canada: 1-800-4KOHLER (1-800-456-4537)

Kohler Co. reserves the right to make revisions without notice to product specifications.

For the most current Specification Sheet, go to [www.kohler.com](http://www.kohler.com).

3-27-2016 05:33

THE BOLD LOOK  
OF **KOHLER**®



## Technical Information

All product dimensions are nominal.

Toilet type:	Two-piece
Bowl shape:	Elongated front
Flush type:	AquaPiston
Seat hinge type:	Quick-Attach®, Quick-Release™
Trap passageway:	2-1/8" (54 mm)
Water Consumption	
Full:	1.28 gpf (4.8 lpf)
Water surface size:	10-1/2" x 7-7/8" (267 mm x 200 mm)
Rim to water surface:	6-3/8" (162 mm)
Rough-in:	12" (305 mm)
Seat-mounting holes:	5-1/2" (140 mm)

## Notes

Install this product according to the installation guide.

For back-to-back toilet installations: Use only a 45° double wye fitting.

The model is acceptable for left-hand Accessible compartment installations only.