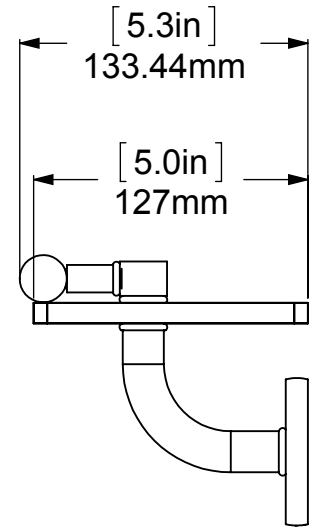
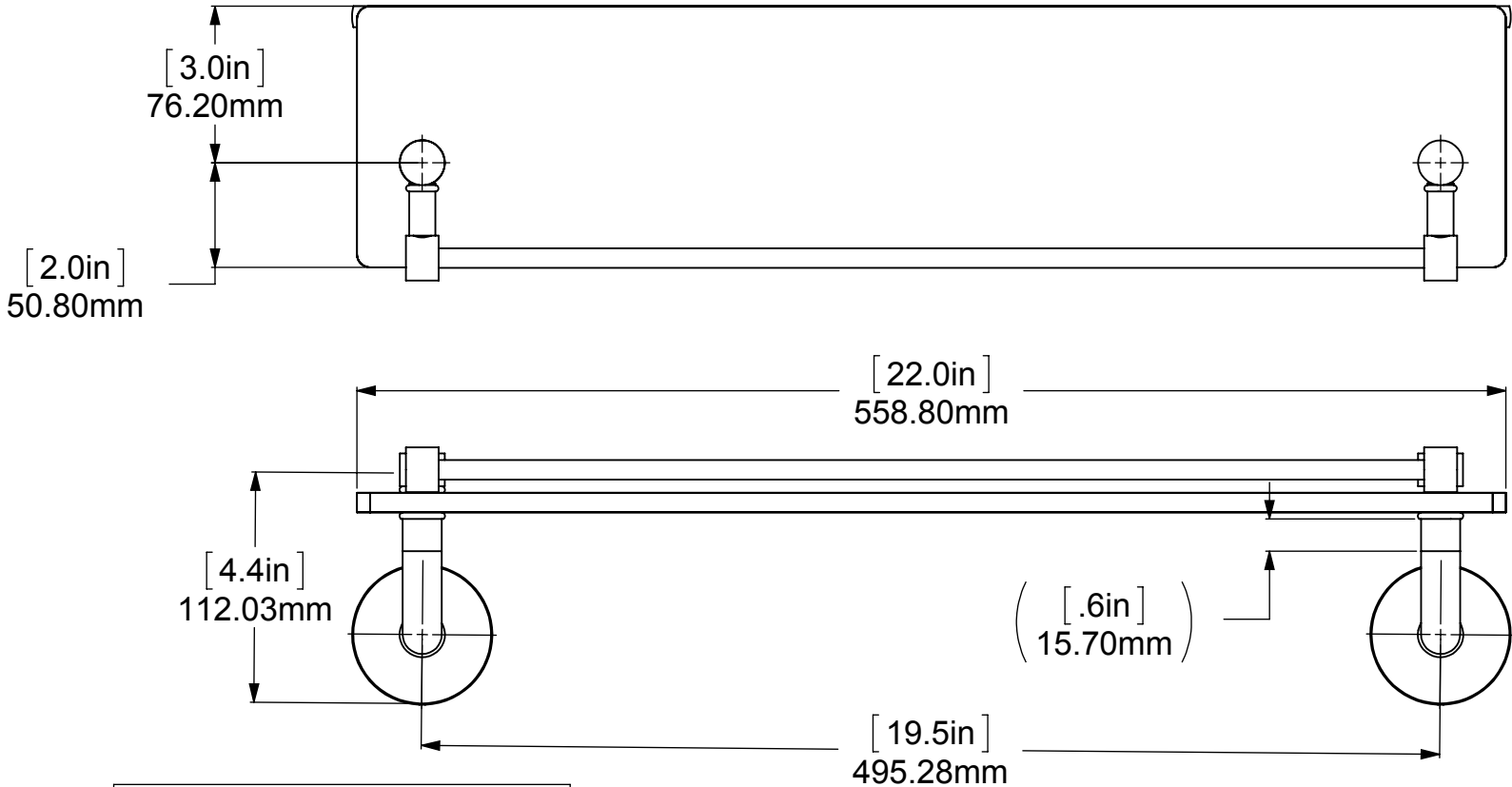
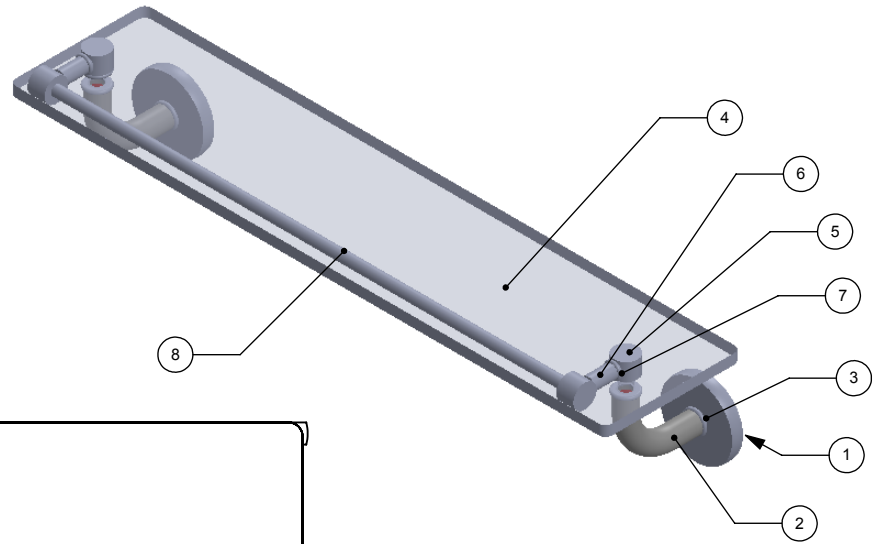


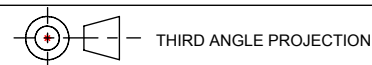
| ITEM NO. | P/N          | DESCRIPTION    | QTY. |
|----------|--------------|----------------|------|
| 1        | BPRD         | BACKPLATE      | 2    |
| 2        | SWELB-3      | TUBE           | 2    |
| 3        | CRRD-34      | CHECK RING     | 4    |
| 4        | GLRT-22      | GLASS          | 1    |
| 5        | MR-TILT-FITT | HUB            | 4    |
| 6        | TU12-1       | RAIL TUBE      | 2    |
| 7        | CRRD-12      | CHECK RING 0.5 | 2    |
| 8        | TU38-19.5    | TUBE           | 1    |



UNLESS OTHERWISE STATED

|      |         |
|------|---------|
| .X   | ±.3mm   |
| .XX  | ±.15mm  |
| .XXX | ±.008mm |

COPYRIGHT © Allied Brass 2016



|          |           |     |
|----------|-----------|-----|
| DRAWN    | 3/20/2017 | I.M |
| CHECKED  | 3/20/2017 | P.D |
| APPROVED | 3/20/2017 | R.A |

|              |                                    |
|--------------|------------------------------------|
| MATERIAL:    | BRASS                              |
| DESCRIPTION: | REMI GLASS SHELF WITH GALLERY RAIL |



|             |       |
|-------------|-------|
| FINISH      | TBD   |
| QUANTITY    | TBD   |
| DRAWING No. | REV   |
| RM-1-22-GAL | 0     |
| SCALE       | 1:3.5 |
| SHEET: 01   | A4    |