

30"

Item Number:

650-V30-BKO  
650-V30-BNM  
650-V30-CWH  
650-V30-UGR

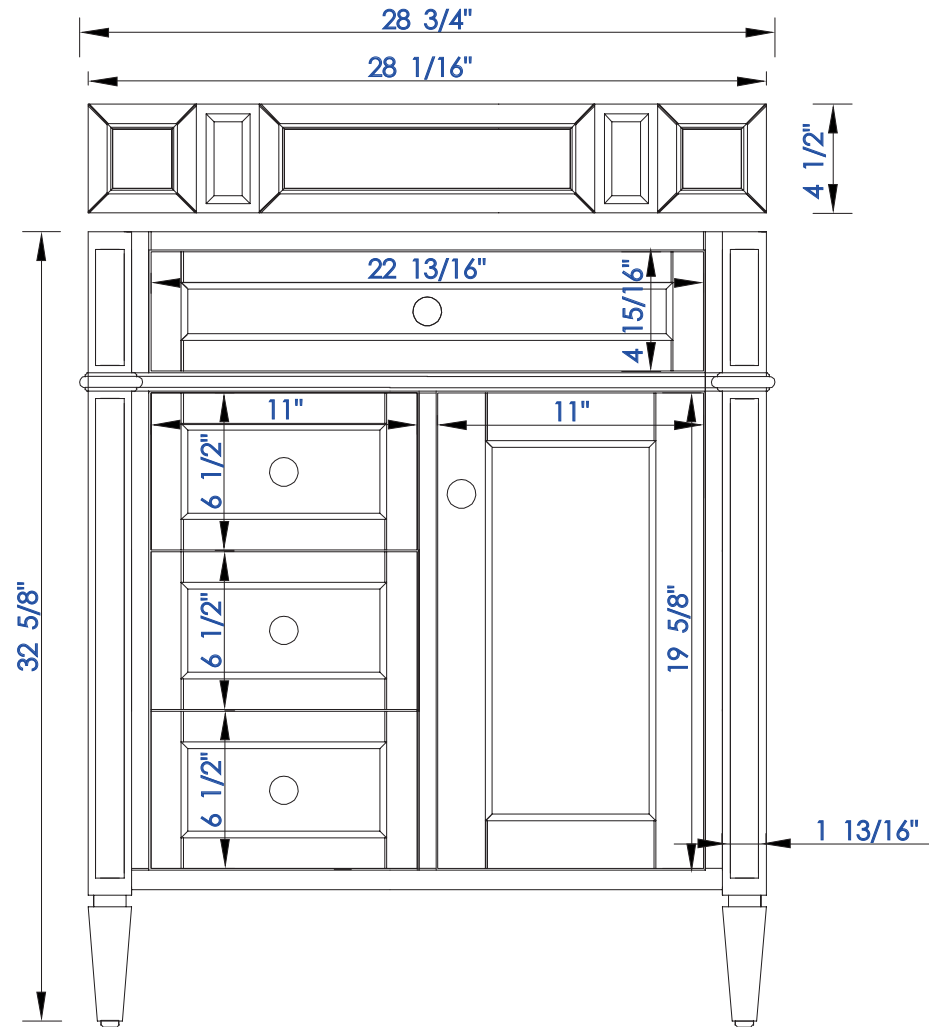
JAMES MARTIN



VANITIES

Brittany 30" Single Vanity

Diagrams with Dimensions  
page 01 of 03



NOTE ONE: Countertops are not shown in these diagrams. (Cabinet Only)

NOTE TWO: Wood Backsplash (Shown) is designed for the molding detail to align with sinks in James Martin's Optional Countertops.

Customer's own countertops and sinks may align differently.

Please consult our website for Countertop Diagrams: [www.jamesmartinvanities.com](http://www.jamesmartinvanities.com)

30"

Item Number:

650-V30-BKO  
650-V30-BNM  
650-V30-CWH  
650-V30-UGR

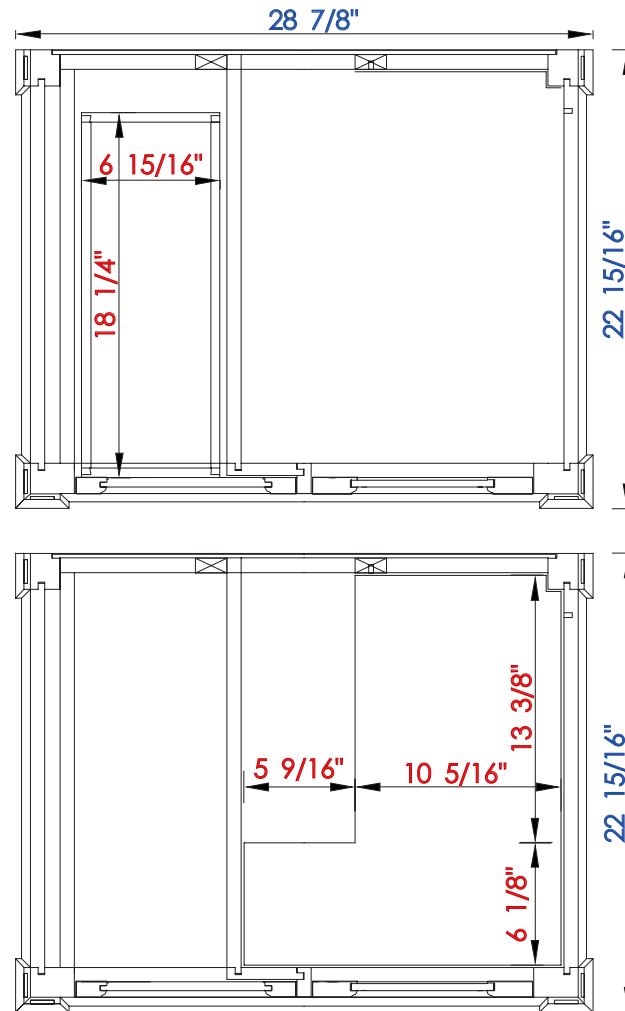
JAMES MARTIN



VANITIES

Brittany 30" Single Vanity

Diagrams with Dimensions  
page 02 of 03



NOTE ONE: Countertops are not shown in these diagrams. (Cabinet Only)

NOTE TWO: Internal Shelves(Shown) are designed to align with sinks in James Martin's Optional Countertops.

Customer's own countertops and sink may align differently, and modification may be required.

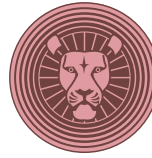
Please consult our website for Countertop Diagrams: [www.jamesmartinvanities.com](http://www.jamesmartinvanities.com)

30"

Item Number:

650-V30-BKO  
650-V30-BNM  
650-V30-CWH  
650-V30-UGR

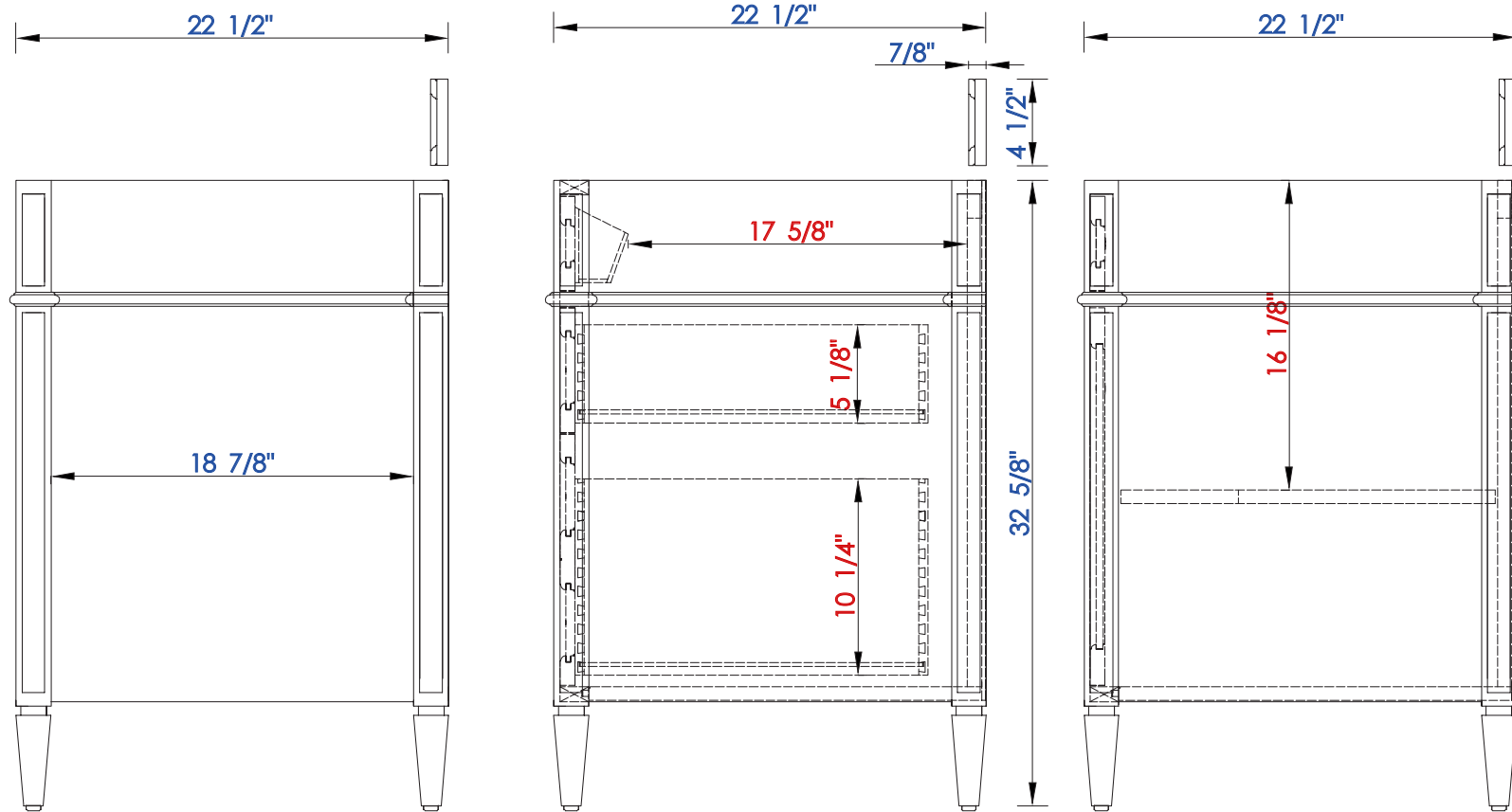
JAMES MARTIN



VANITIES

Brittany 30" Single Vanity

Diagrams with Dimensions  
page 03 of 03



NOTE ONE: Countertops are not shown in these diagrams. (Cabinet Only)

NOTE TWO: Wood Backsplash (Shown) is designed for the molding detail to align with sinks in James Martin's Optional Countertops.

Customer's own countertops and sinks may align differently, and modification may be required.

Please consult our website for Countertop Diagrams: [www.jamesmartinvanities.com](http://www.jamesmartinvanities.com)

762 mm

Item Number:

- 650-V30-BKO
- 650-V30-BNM
- 650-V30-CWH
- 650-V30-UGR

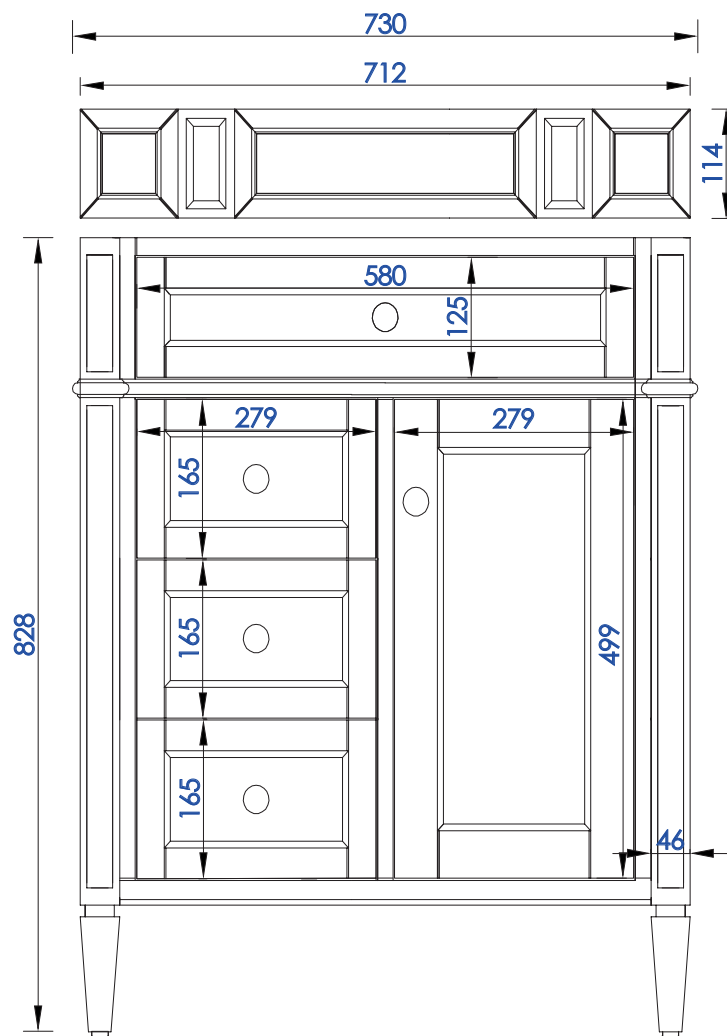
JAMES MARTIN



VANITIES

### Brittany 762mm Single Vanity

Diagrams with Dimensions  
page 01 of 03



NOTE ONE: Countertops are not shown in these diagrams. (Cabinet Only)

NOTE TWO: Wood Backsplash (Shown) is designed for the molding detail to align with sinks in James Martin's Optional Countertops.

Customer's own countertops and sinks may align differently, and modification may be required.

Please consult our website for Countertop Diagrams: [www.jamesmartinvanities.com](http://www.jamesmartinvanities.com)

762 mm

Item Number:

- 650-V30-BKO
- 650-V30-BNM
- 650-V30-CWH
- 650-V30-UGR

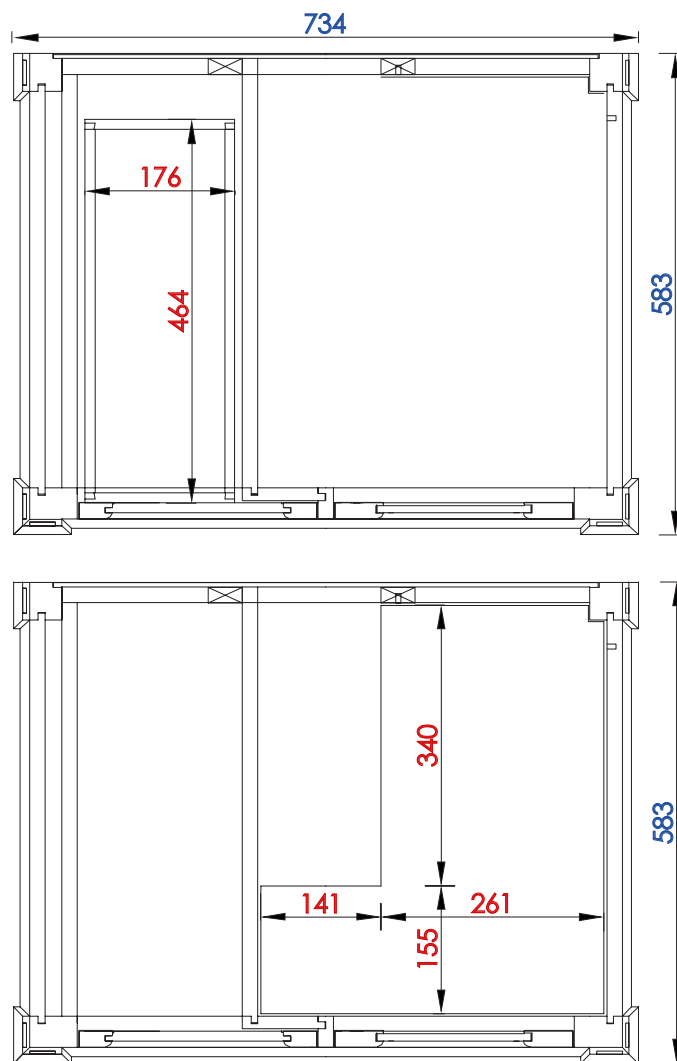
JAMES MARTIN



VANITIES

### Brittany 762mm Single Vanity

Diagrams with Dimensions  
page 02 of 03



NOTE ONE: Countertops are not shown in these diagrams. (Cabinet Only)

NOTE TWO: Internal Shelves(Shown) are designed to align with sinks in James Martin's Optional Countertops.

Customer's own countertops and sink may align differently, and modification may be required.

Please consult our website for Countertop Diagrams: [www.jamesmartinvanities.com](http://www.jamesmartinvanities.com)

762 mm

Item Number:

- 650-V30-BKO
- 650-V30-BNM
- 650-V30-CWH
- 650-V30-UGR

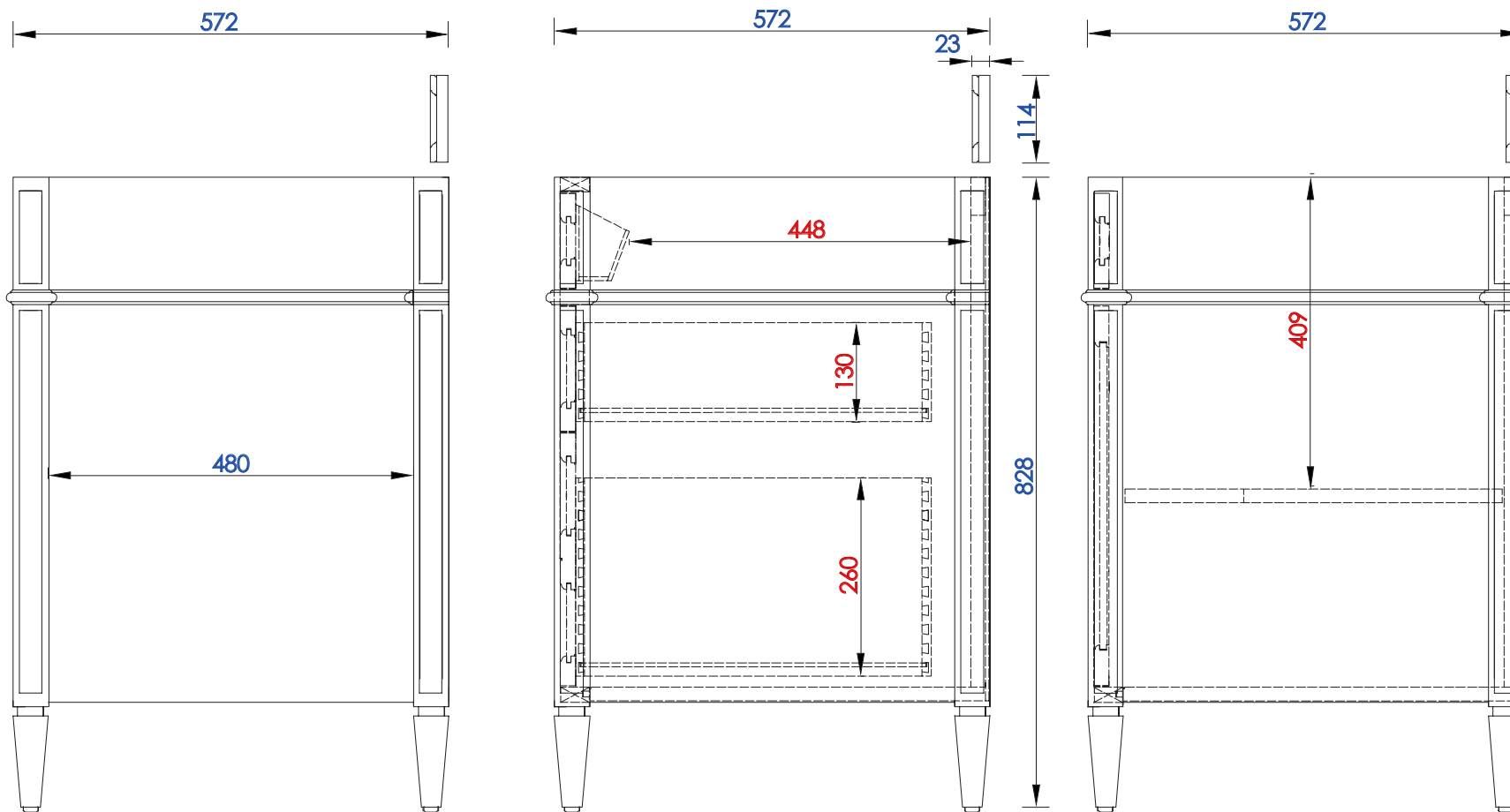
JAMES MARTIN



VANITIES

### Brittany 762mm Single Vanity

Diagrams with Dimensions  
page 03 of 03



**NOTE ONE:** Countertops are not shown in these diagrams. (Cabinet Only)

**NOTE TWO:** Wood Backsplash (Shown) is designed for the molding detail to align with sinks in James Martin's Optional Countertops.

Customer's own countertops and sinks may align differently, and modification may be required.

Please consult our website for Countertop Diagrams: [www.jamesmartinvanities.com](http://www.jamesmartinvanities.com)