

FIRMAN®

OWNER'S MANUAL PORTABLE GENERATOR



MODEL NUMBER
P05701

Rev Level:00

IMPORTANT: Read all safety precautions and instructions carefully before operating equipment.



Ensure engine is stopped and level before performing any maintenance or service.

Record product information to reference when ordering parts or obtaining warranty coverage.



**DO NOT RETURN TO
STORE!**



CALL US FIRST!
CUSTOMER HOTLINE
1-844-347-6261

FOR QUESTIONS OR SERVICE
INFORMATION

Serial Number: _____

Purchase Date: _____

P/N:357745450 Rev:02

Table of Contents

Introduction	1	Maintenance And Storage	19
Safety Precautions	2	Maintenance Schedule	19
Unpacking the Generator	6	Engine Maintenance	20
Parts Included	6	Change Engine Oil	20
Assembly	7	Air Filter Maintenance	20
Install the Wheel Kit	7	Spark Plug Maintenance	21
Install the Support Leg	7	Cleaning Fuel Strainer	21
Install the Handle	7	Inspect Muffler and Spark Arrester	21
Controls and Features	8	Generator Maintenance	22
Generator	8	Service and Storage	23
Control Panel	9	Trouble Shooting	24
Specifications	11	Parts Diagram and Parts List	25
Add Engine Oil	12	Generator Parts Diagram	25
Low Oil Shutdown	12	Engine Parts Diagram	26
Add Fuel	13	Parts List	27
Operation at High Altitude	13	Service Information	29
Grounding	14	Warranty	29
Connecting to a Building's Electrical System	14		
Operation	15		
Generator Location	15		
Surge Protection	15		
Starting the Generator	16		
Connecting Electrical Loads	17		
Stopping the Engine	17		
Low Oil Shutdown	18		
Do Not Overload Generator	18		

INTRODUCTION

Thank you for purchasing a FIRMAN generator.

This manual contains safety information to make you aware of the hazards and risks associated with generator products and how to avoid them. This generator is designed and intended only for supplying electrical power for operating compatible electrical lighting, appliances, tools and motor loads, and is not intended for any other purpose. It is important that you read and understand these instructions thoroughly before attempting to start or operate this equipment. **Save these original instructions for future reference.**

This manual covers operation and maintenance of the FIRMAN generators. All information in this publication is based on the latest production information available at the time of approval for printing. The manufacturer reserves the right to change, alter or other wise improve the generator and this documentation at any time without prior change.

Important Safety Information

The manufacturer cannot possibly anticipate every possible circumstance that might involve a hazard. The warnings in this manual and the tags and decals affixed to the unit are therefore not all-inclusive. If you use a procedure, work method or operating technique that the manufacturer does not specifically recommend you must satisfy yourself that it is safe for you and others. You must also make sure that the procedure work method or operating technique that you choose does not render the generator unsafe.

SAFETY INFORMATION



DANGER

DANGER indicates a potentially hazardous situation which, if not avoided, WILL result in death or serious injury.



WARNING

WARNING indicates a potentially hazardous situation which, if not avoided, could result in death or serious injury.



CAUTION

CAUTION indicates a potentially hazardous situation which, if not avoided, may result in minor or moderate personal injury, or property damage.



Toxic Fumes



Risk of Electric Shock



Fire Hazard



Explosion Hazard



Hot Surface.
Do Not Touch the Surface.



Rotating Parts Entanglement Hazard






Kickback



Operator's Manual

SAFETY PRECAUTIONS

⚠ DANGER		
Using a generator indoors CAN KILL YOU IN MINUTES. Generator exhaust contains carbon monoxide. This is a poison you cannot see or smell.		
		
NEVER use inside a home or garage, EVEN IF doors and windows are open.	Only use OUTSIDE and far away from windows, doors, and vents.	
Avoid other generator hazards. READ MANUAL BEFORE USE.		

⚠ WARNING

POISONOUS GAS HAZARD.



Engine exhaust contains carbon monoxide, a poisonous gas that could kill you in minutes. You **CANNOT** smell it, see it, or taste it. Even if you do not smell exhaust fumes, you could still be exposed to carbon monoxide gas.

- Operate this product **ONLY** outside far away from windows, doors and vents to reduce the risk of carbon monoxide gas from accumulating and potentially being drawn towards occupied spaces.
- Install battery-operated carbon monoxide alarms or plug-in carbon monoxide alarms with battery back-up according to the manufacturer's instructions. Smoke alarms cannot detect carbon monoxide gas.
- **DO NOT** run this product inside homes, garages, basements, crawlspaces, sheds, or other partially-enclosed spaces even if using fans or opening doors and windows for ventilation. Carbon monoxide can quickly build up in these spaces and can linger for hours, even after this product has shut off.
- **ALWAYS** place this product downwind and point the engine exhaust away from occupied spaces. If you start to feel sick, dizzy, or weak while using this product, shut it off and get to fresh air **RIGHT AWAY**. See a doctor. You may have carbon monoxide poisoning.

⚠ WARNING

The engine exhaust from this product contains chemicals known to the State of California to cause cancer, birth defects, or other reproductive harm.

⚠ WARNING

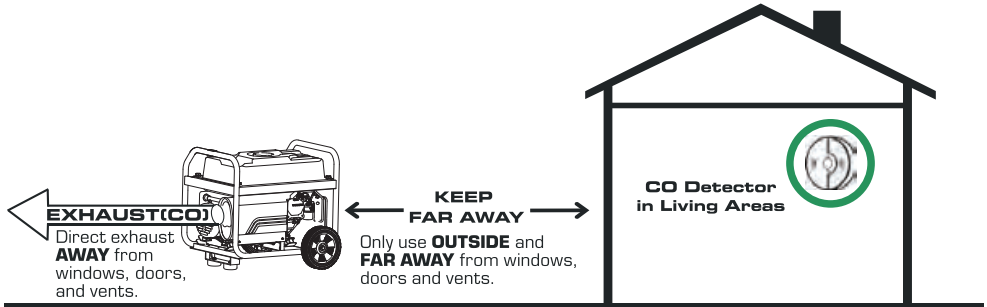
Certain components in this product and related accessories contain chemicals known to the State of California to cause cancer, birth defects or other reproductive harm. Wash hands after handling.

- If you start to feel sick, dizzy or weak while using the portable generator, you may have carbon monoxide poisoning. Get out side to fresh air immediately and call 911 for emergency medical attention. Very high levels of CO can rapidly cause victims to lose consciousness before they can rescue themselves. **DO NOT** attempt to shut off the generator before moving to fresh air. Entering an enclosed space where a generator is or has been running may put you at greater risk of CO poisoning.

CORRECT USAGE

Example location to reduce risk of carbon monoxide poisoning

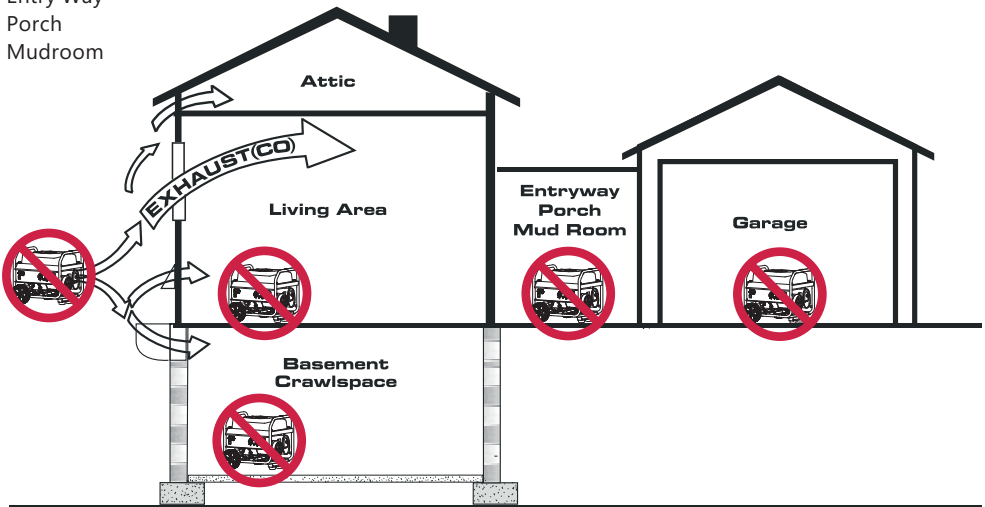
- ONLY use outside and downwind, far away from windows, doors and vents.
- Direct exhaust **AWAY** from windows, doors, and vents.



INCORRECT USAGE

Do not operate in any of the following locations:

- Near any door, window or vent
- Garage
- Basement
- Crawl Space
- Living Area
- Attic
- Entry Way
- Porch
- Mudroom



WARNING



Starter cord kickback (rapid retraction) will pull hand and arm toward engine faster than you can let go which could cause broken bones, fractures, bruises, or sprains resulting in serious injury.

- When starting engine, pull cord slowly until resistance is felt and then pull rapidly to avoid kickback.
- **NEVER** start or stop engine with electrical devices plugged in and turned on.

WARNING



Fuel and its vapors are extremely flammable and explosive which could cause burns, fire, or explosion resulting in death or serious injury and/or property damage.

WHEN ADDING OR DRAINING FUEL

- Turn generator engine OFF and let it cool at least 2 minutes before removing fuel cap. Loosen cap slowly to relieve pressure in tank.
- Fill or drain fuel tank outdoors.
- **DO NOT** overfill tank. Allow space for fuel expansion.
- If fuel spills, wait until it evaporates before starting engine.
- Keep fuel away from sparks, open flames, pilot lights, heat, and other ignition sources.
- Check fuel lines, tank, cap, and fittings frequently for cracks or leaks. Replace if necessary.
- **DO NOT** light a cigarette or smoke.

WHEN STARTING EQUIPMENT

- Ensure spark plug, muffler, fuel cap, and air cleaner are in place.
- **DO NOT** crank engine with spark plug removed.

WHEN OPERATING EQUIPMENT

- **DO NOT** operate this product inside any building, carport, porch, mobile equipment, marine applications, or enclosure.
- **DO NOT** tip engine or equipment at angle which causes fuel to spill.
- **DO NOT** stop engine by moving choke control to "Start" position.

WHEN TRANSPORTING, MOVING OR REPAIRING EQUIPMENT

- Transport/move/repair with fuel tank EMPTY or with fuel shutoff valve OFF.
- **DO NOT** tip engine or equipment at angle which causes fuel to spill.
- Disconnect spark plug wire.

WHEN STORING FUEL OR EQUIPMENT WITH FUEL IN TANK

- Store away from furnaces, stoves, water heaters, clothes dryers, or other appliances that have pilot light or other ignition source because they could ignite fuel vapors.

WARNING

- This generator does not meet U. S. Coast Guard Regulation 33CFR-183 and should not be used on marine applications.
- Failure to use the appropriate U. S. Coast Guard approved generator could result in death or serious injury and/or property damage.

WARNING



Generator voltage could cause electrical shock or burn resulting in death or serious injury.

- Use approved transfer equipment, suitable for the intended use, to prevent backfeed by isolating generator from electric utility workers.

- When using generator for backup power, notify utility company.
- Use a ground fault circuit interrupter (GFCI) in any damp or highly conductive area, such as metal decking or steel work.
- **DO NOT** touch bare wires or receptacles.
- **DO NOT** use generator with electrical cords which are worn, frayed, bare or otherwise damaged.
- **DO NOT** operate generator in the rain or wet weather.
- **DO NOT** handle generator or electrical cords while standing in water, while barefoot, or while hands or feet are wet.
- **DO NOT** allow unqualified persons or children to operate or service generator.

WARNING



Exhaust heat/gases could ignite combustibles, structures or damage fuel tank causing a fire, resulting in death or serious injury and/or property damage.

Contact with muffler area could cause burns resulting in serious injury.

- **DO NOT** touch hot parts and **AVOID** hot exhaust gases.
- Allow equipment to cool before touching.
- It is a violation of California Public Resource Code, Section 4442, to use or operate the engine on any forest-covered, brush-covered, or grass-covered land unless the exhaust system is equipped with a spark arrester, as defined in Section 4442, maintained in effective working order. Other states or federal jurisdictions may have similar laws. Contact the original equipment manufacturer, retailer, or dealer to obtain a spark arrester designed for the exhaust system installed on this engine.
- Replacement parts must be the same and installed in the same position as the original parts.

WARNING



Unintentional sparking could cause fire or electric shock resulting in death or serious injury.

WHEN ADJUSTING OR MAKING REPAIRS TO YOUR GENERATOR

- Disconnect the spark plug wire from the spark plug and place the wire where it cannot contact spark plug.

WHEN TESTING FOR ENGINE SPARK

- Use approved spark plug tester.
- **DO NOT** check for spark with spark plug removed.

WARNING



Starter and other rotating parts could entangle hands, hair, clothing, or accessories resulting in serious injury.

- **NEVER** operate generator without protective housing or covers.
- **DO NOT** wear loose clothing, jewelry or anything that could be caught in the starter or other rotating parts.
- Tie up long hair and remove jewelry.

CAUTION

Excessively high operating speeds could result in minor injury. Excessively low operating speeds impose a heavy load.

- **DO NOT** tamper with governor spring, links or other parts to increase engine speed. Generator supplies correct rated frequency and voltage when running at governed speed.
- **DO NOT** modify generator in any way.

NOTE:

Exceeding generators wattage/amperage capacity could damage generator and/or electrical devices connected to it.

- **DO NOT** exceed the generator's wattage amperage capacity.
- Start generator and let engine stabilize before connecting electrical loads.
- Connect electrical loads in OFF position, then turn ON for operation.
- Turn electrical loads OFF and disconnect from generator before stopping generator.

NOTE:

Improper treatment of generator could damage it and shorten its life.

- Use generator only for intended uses.
- If you have questions about intended use, ask dealer or contact local service center.
- Operate generator only on level surfaces.
- DO NOT expose generator to excessive moisture, dust, dirt, or corrosive vapors.
- DO NOT insert any objects through cooling slots.
- If connected devices overheat, turn them off and disconnect them from generator.
- Shut off generator if:
 - Electrical output is lost.
 - Equipment sparks, smokes, or emits flames.
 - Unit vibrates excessively.

1. Axle Pin	2
2. 10.0" in. Wheel	2
3. Flat Washer	2
4. Cotter Pin	2
5. Engine Oil(Bottle)	1
6. Oil Funnel	1
7. Wrench for Spark plug	1
8. Double Open wrench (10mm & 12mm)	2
9. Support Leg with Vibration Mounts	1
10. Flange Bolt (M8x16 for Support Leg)	2
11. Flange Lock Nut (M8)	4
12. Handle	1
13. Flange Bolt (M8x50 for Handle)	2
14. Manual	1
15. Quick Reference Guide	1

⚠ WARNING

Medical and Life Support Uses.

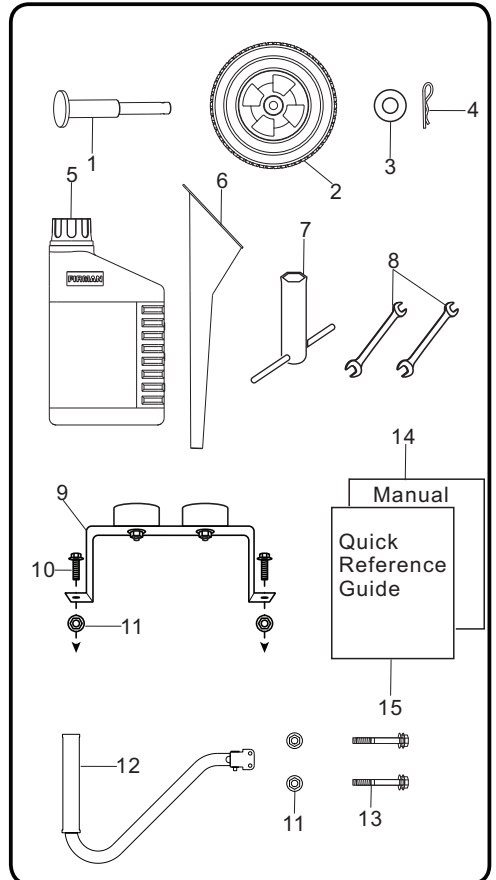
- In case of emergency, call 911 immediately.
- NEVER use this product to power life support devices or life support appliances.
- NEVER use this product to power medical devices or medical appliances.
- Inform your electricity provider immediately if you or anyone in your household depends on electrical equipment to live.
- Inform your electrical provider immediately if a loss of power would cause you or anyone in your household to experience a medical emergency.

UNPACKING THE GENERATOR

- Open carton and Remove packaging materials.
- Remove generator, accessories boxes, and literature from carton. If any items are missing or damaged, contact our product service department at 1-844-347-6261.

Parts Included

Your gasoline powered generator ships with the following parts:



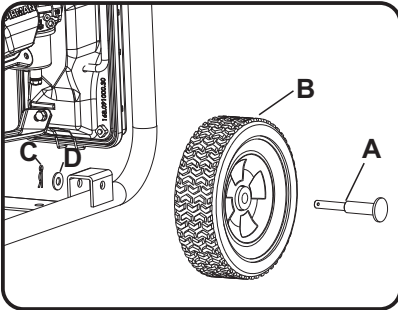
ASSEMBLY

The generator requires some assembly prior to usage. If problems arise when assembling the generator, call 1-844-347-6261.

Install the Wheel Kit

CAUTION

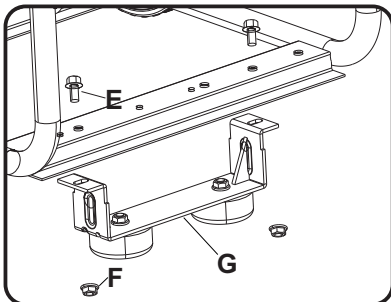
The wheel kit is not intended for over-the-road use.



1. Before adding wheels, tip the generator on its side.
2. Slide the axle pin **A** through the wheel **B**.
3. Slide the axle pin **A** through the mount point on the frame and flat washer **D**.
4. Secure the wheel and axle pin with the cotter pin **C**.
5. Repeat steps 2-4 to attach another wheel.

Install the Support Leg

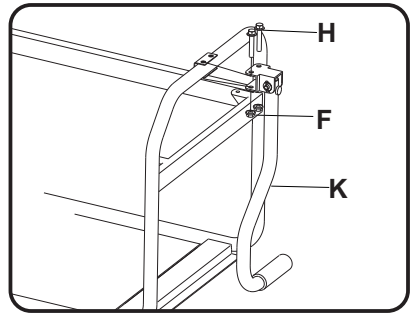
1. Attach the support leg **G** to the generator frame with flange bolts **E** (M8x16) and flange lock nuts **F** (M8).
2. Tip the generator slowly so that it rests on the wheels and support leg.
3. Tighten bolt **E** and nut **F** with provide wrenches.



Install the Handle

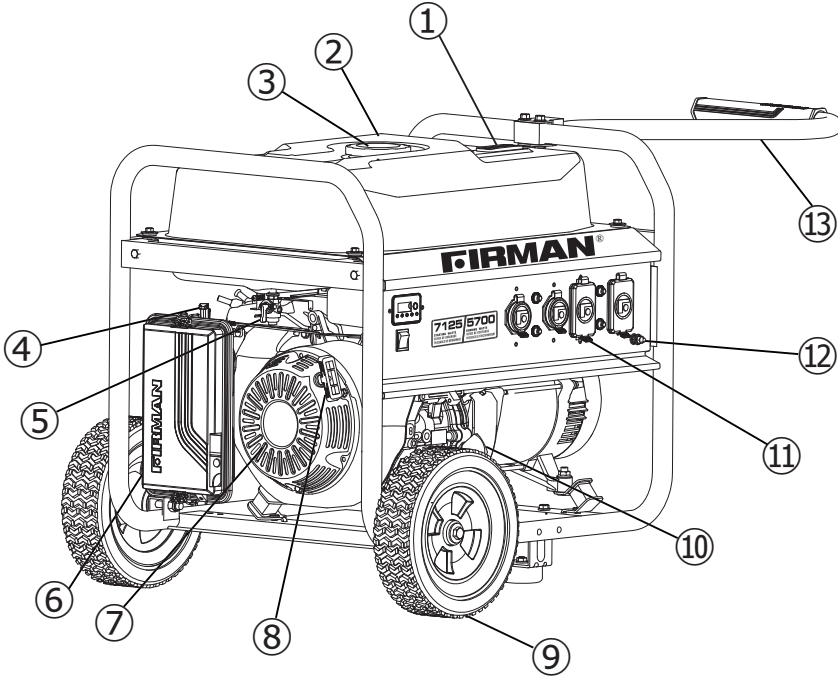
1. Place the handle **K** over the mounting channel on the frame.
2. Secure the handle to the frame using the two handle flange bolts **H** (M8x50).
3. Place a flange nut **F** (M8) on the end of each bolt and fasten securely with provided wrenches.

DO NOT over tighten the flange nuts.



CONTROLS AND FEATURES

Generator

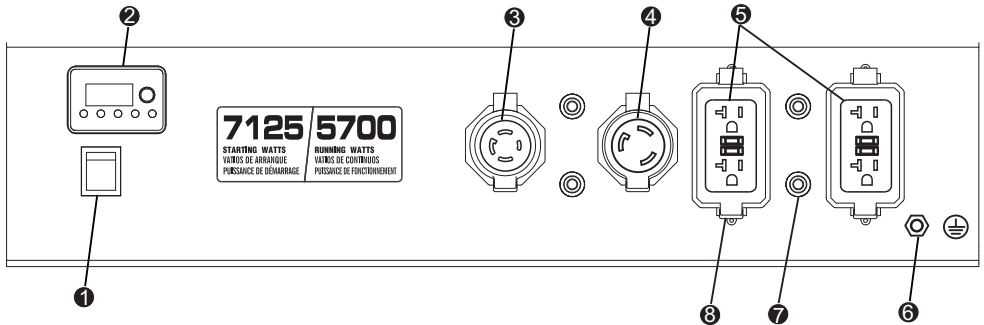


- 1- Fuel Gauge
- 2- 8.0 Gallon Capacity Fuel Tank
- 3- Fuel Cap
- 4- Choke Lever
- 5- Fuel Valve
- 6- Air Filter
- 7- 389cc FIRMAN OHV Engine
- 8- Recoil Starter

- 9- 10.0" Flat Free Wheel
- 10- Oil Filler Cap
- 11- Outlet Cover
- 12- Control Panel
- 13- Handle

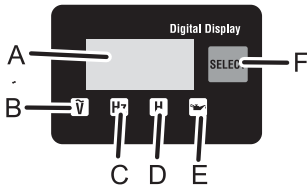
*We are always working to improve our products. Therefore, the enclosed product may differ slightly from the image on this page.

Control Panel



NOTE: Total power drawn from all receptacles must not exceed the name plate rating.

- ① **Engine Switch** – Flip the switch to the “ON(I)” position and pull the recoil starter to start the generator. Turn to the “OFF(O)” position to turn off the generator.
- ② **4-1 Data-Minder(Multi-Meter)** – Push the SELECT button to show the Voltage, Hertz and running hours. If the low oil indicator is lit, check the oil level.
- ③ **120V, 20A Duplex GFCI (Ground Fault Circuit Interrupter)** – (NEMA 5-20R) This receptacle is rated so that a total of 20 Amp may be drawn regardless of whether both halves or just one receptacle is used. Ground Fault Circuit Interrupter conforms to UL 943 and NEC requirements. This device protects you against hazardous electrical shock that may be caused if your body becomes a path through which electricity travels to reach ground. This could happen when you touch an appliance or cord that is “live” through faulty mechanism, damp or worn insulation, etc.



- A - Digital display
- B - AC voltage indicator
- C - Frequency indicator
- D - Hour indicator
- E - Low oil indicator
- F - Select button

- ④ **120/240V, 30A Twist-Lock** – (NEMA L14-30R) Maximum full load current may be drawn from this 120/240 Volt, 30 Amp receptacle.
- ⑤ **120V, 30A Twist-Lock** (NEMA L5-30R) 30 Amp current may be drawn from this 120 Volt receptacle.

- ⑥ **Ground Terminal** – Consult an electrician for local grounding regulations.
- ⑦ **Circuit Breakers** – The receptacles are protected by an AC circuit protector. If the generator is overloaded or an external short circuit occurs the circuit protector will trip. If this occurs, disconnect all electrical loads and try to determine the cause of the problem before attempting to use the generator again. If overloading causes the circuit protector to trip, reduce the load. **Note: Continuous tripping of the circuit protector may cause damage to generator or equipment.** The circuit protector may be reset by pushing the button of the protector.

- ⑧ **Outlet Cover** - Protect the receptacles from dust and debris.

120VAC, 20AMP GFCI RECEPTACLE

This unit is equipped with a ground fault circuit interrupter (GFCI). This device meets applicable federal, state and local codes .

A GFCI receptacle is different from conventional receptacles. In the event of a ground fault, a GFCI will trip and quickly stop the flow of electricity to prevent serious injury.

Definition: Instead of following its normal safe path, electricity passes through a persons body to reach the ground. For example, a defective appliance can cause a ground fault.

A GFCI receptacle does NOT protect against circuit overloads, short circuits, or shocks. For example, electric shock can still occur if a person touches charged electrical wires while standing on a non-conducting surface, such as a wood floor.

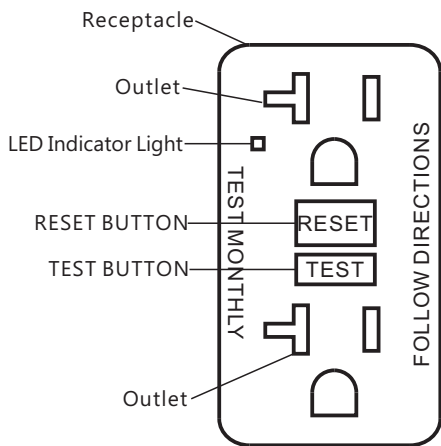
5. To restore the flow of electricity, press the **"RESET"** button on the front of the receptacle. If the GFCI does not perform in this manner, do not use the receptacle. Contact a local service dealer or costumer service.

6. This outlet is protected against overload by a 20A push-to-reset circuit breaker. Use the outlet to power 120V AC, single-phase, 60 Hz, electrical loads requiring up to a combined 2400 watts (2.4 kW) or 20 amps of current.

SELF-TEST OPERATION

A Self-Test GFCI receptacle has all the features of a conventional GFCI receptacle. In addition, this receptacle tests itself periodically to confirm the GFCI electronics are functional. The Indicator Light will be solid green when the GFCI is powered from Line side and working correctly.

Self-Test Indications: If the Indicator Light is solid orange or flashing red a problem may exist. Press the TEST button to trip the GFCI. If unable to Reset, replace the GFCI.



Testing the GFCI: Test the GFCI outlet every month as follows:

1. Plug a test lamp into the receptacle.
2. Start the generator, the test lamp should be on.
3. Press the "Test" button located on the front of the receptacle to trip the device.
4. This should stop the flow of electricity making the lamp shut off. The GFCI's indicator light comes off.

SPECIFICATIONS

Model	P05701
Starting Watts	7125
Running Watts	5700
Rated AC Voltage	120/240V
Rated Frequency	60Hz
Phase	Single
Voltage Regulator	AVR
Power Factor	1
Alternator Type	Brushed
Engine	FIRMAN
Engine Type	Single Cylinder, 4-Stroke OHV Air Cooled
Displacement	389cc
Low Oil Shutdown	Yes
Ignition System	Breakless Ignition Type, Flywheel Magneto
Starting System	Recoil
Fuel	Unleaded Automotive Gasoline
Capacity Fuel Tank	8.0 Gallon
Lubricating Oil Capacity	37.2 oz(1.1L)
Carburetor Type	Float
Air Cleaner	Polyurethane Type
P.T.O. Shaft Rotation	Counter Clockwise (Facing P.T.O.)
Oil Type	See "Add Engine Oil" Section
Spark Plug	TORCH F6RTC/NGK BPR6ES/CHAMPION RN9YC

AN IMPORTANT MESSAGE ABOUT TEMPERATURE:

Your Firman Power Equipment product is designed and rated for continuous operation at ambient temperatures up to 40°C (104°F). When your product is needed, your product may be operated at temperatures ranging from -15°C (5°F) to 50°C (122°F) for short periods. If the product is exposed to temperatures outside this range during storage, it should be brought back within this range before operation. In any event, the product must always be operated outdoors, in a well-ventilated area and away from doors, windows and other vents.

- When operated above 77°F(25°C) there may be a decrease in power.
- Maximum wattage and current are subject to and limited by such factors as fuel BTU content ambient temperature, altitude, engine condition and etc. Maximum power decreases about 3.5% for each 1,000 feet above sea level; and will also decrease about 1% for each 10°F(-12.2°C) above 60°F(16°C) ambient temperature.

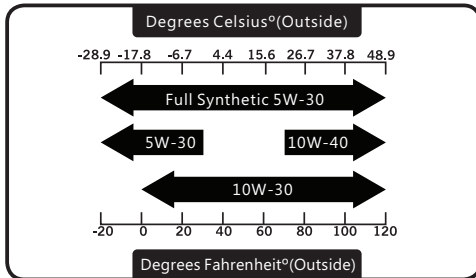
Add Engine Oil

CAUTION

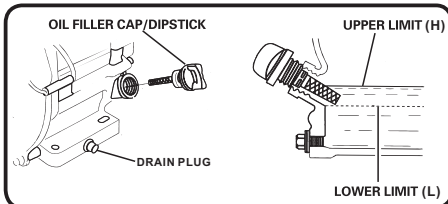
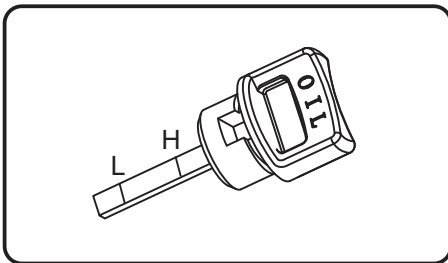
DO NOT attempt to crank or start the engine before it has been properly filled with the recommended type and amount of oil. Damage to the generator as a result of failure to follow these instructions will void your warranty.

NOTE:

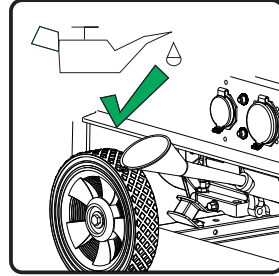
The recommended oil type is 10W-30 automotive oil. However outdoor temperatures will determine the space proper oil viscosity for the engine. Use the chart to select the best for the outdoor temperature range expected.



1. Place generator on a flat, level surface.
2. Clean area around oil fill and remove yellow oil fill cap/dipstick.
3. Wipe dipstick clean.



4. Using oil funnel, slowly pour contents of provided oil bottle into oil fill opening to the "H" mark on dipstick. Be careful do not overfill. Overfilling with oil could cause the engine to not start or hard starting.



5. Replace oil fill cap/dipstick and fully tighten.
6. Oil level should be checked prior to each use or at least every 8 hours of operation. Keep oil level maintained.

CAUTION

The engine is equipped with a low oil shut-off and will stop when the oil level in the crankcase falls below the threshold level.

NOTE:

We consider the first 5 hours of run time to be the break-in period for the unit. During the break in period stay at or below 50% of the running watt rating and vary the load occasionally to allow stator windings to heat and cool. Adjusting the load will also cause engine speed to vary and help seat piston rings.

Low Oil Shutdown

The unit is equipped with a low oil shutdown. If the oil level becomes lower than required, the sensor will activate a warning device or stop the engine.

If generator shuts off and the oil level is within specifications, check to see if generator is sitting at an angle that forces oil to shift. Place on an even surface to correct this. If engine fails to start, the oil level may not be sufficient to deactivate low oil level switch. Make sure the sump is completely full of oil.

Add Fuel

Fuel must meet these requirements:

- Clean, fresh, unleaded gasoline.
- Use regular UNLEADED gasoline with the generator engine with a minimum 87 octane / 87 AKI (91 RON).

For high altitude use, see "Operation at High Altitude".

- Do not use gasoline with more than 10% alcohol such as E85 or ethanol.

NOTE: Avoid generator damage.

Failure to follow Operator's Manual for fuel recommendations voids warranty.

- DO NOT use unapproved gasoline such as E85.
- DO NOT mix oil in gasoline.
- DO NOT modify engine to run on alternate fuels.

WARNING



Fuel and its vapors are extremely flammable and explosive which could cause burns, fire or explosion resulting in death, serious injury and/or property damage.

WHEN ADDING FUEL

- Fill fuel tank outdoors.



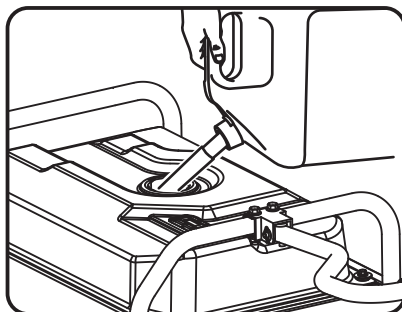
DO NOT overfill tank. Allow space for fuel expansion. If the tank is overfilled, fuel can overflow onto a hot engine and cause fire or explosion. Wipe up any spilled fuel immediately.

- If fuel spills, wait until it evaporates before starting engine.
- Keep fuel away from sparks, open flames, pilot lights, heat, and other ignition sources.
- Check fuel lines, tank, cap and fittings frequently for cracks or leaks. Replace if necessary.



DO NOT light a cigarette or smoke when filling the fuel tank.

1. Clean area around fuel fill cap, remove cap.
2. Slowly add unleaded fuel to fuel tank. Be careful not to fill above the red fuel level indicator. This allows adequate space for fuel expansion.
3. Install fuel cap and let any spilled fuel evaporate before starting engine or wipe up any spilled gasoline.



CAUTION

- Slowly add unleaded gasoline to fuel tank.
- Do not overfill tank.
- Do not fill above top of fuel screen. This will all expansion in hot weather and prevent overflow.



Operation at High Altitude

At altitudes over 5,000 feet (1524 meters), a minimum 85 octane / 85 AKI (89 RON) gasoline is acceptable.

The density of air at high altitude is lower than at sea level. Engine power is reduced as the air mass and air-fuel ratio decrease. Engine power and generator output will be reduced approximately 3.5% for every 1000 feet of elevation above sea level. This is a natural trend and cannot be changed by adjusting the engine. At high altitudes increased exhaust emissions can also result due to the increased enrichment of the air fuel ratio.

Other high altitude issues can include hard starting, increased fuel consumption and spark plug fouling. To alleviate high altitude issues other than the natural power loss, **FIRMAN** can provide a high altitude carburetor main jet. The alternative

main jet and installation instructions can be obtained by contacting Customer Support. Installation instructions are also available in the Technical Bulletin area of the FIRMAN internet site. The part number and recommended minimum altitude for the application of the high altitude carburetor main jet is listed in the table below.

	389cc	Altitude
Altitude main jet 1	357717002	3000-6000Feet
Altitude main jet 2	357717003	6000-8000Feet

WARNING

Operation using the alternative main jet at elevations lower than the recommended minimum altitude can damage the engine. For operation at lower elevations, the standard main jet must be used. Operating the engine with the wrong engine configuration at a given altitude may increase its emissions and decrease fuel efficiency and performance.

Grounding

The National Electric Code requires your generator must be properly connected to an appropriate ground to help prevent electric shock.

WARNING



Failure to properly ground the generator can result in electric shock.

A ground terminal connected to the frame of the generator has been provided on the control panel. For remote grounding, connect a length of heavy gauge (12 AWG minimum) copper wire between the generator ground terminal and a copper rod driven into the ground. We strongly recommend that you consult with a qualified electrician to ensure compliance with local electrical codes.

THERE IS A PERMANENT CONDUCTOR BETWEEN THE GENERATOR (STATOR WINDING) AND THE FRAME.

Connecting to a Building's Electrical System

Connections for standby power to a building's electrical system must be made by a qualified electrician. The connection must isolate the generator power from utility power or other alternative power sources and must comply with all applicable laws and electrical codes.

WARNING



Generator voltage could cause electrical shock or burn resulting in death or serious injury.

- Use approved transfer equipment to prevent backfeed by isolating generator from electric utility workers.
- When using generator for backup power, notify utility company.
- Use a ground fault circuit interrupter (GFCI) in any damp or highly conductive area, such as metal decking or steel work.
- DO NOT touch bare wires or receptacles.
- DO NOT use generator with electrical cords which are worn, frayed, bare or otherwise damaged.
- DO NOT operate generator in the rain or wet weather.
- DO NOT handle generator or electrical cords while standing in water, while barefoot, or while hands or feet are wet.
- DO NOT allow unqualified persons or children to operate or service generator.

OPERATION

Generator Location

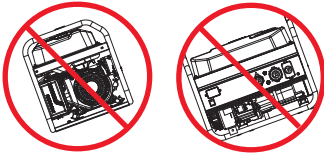
WARNING

Make sure you review each warning in order to prevent fire hazard.

- Keep area clear of inflammables or other hazardous materials.
- Select a site that is dry, well ventilated and protected from the weather.
- Keep exhaust pipe clear of foreign objects.
- Keep generator away from open flame.
- Keep generator on a stable and level surface.

CAUTION

Tilting can cause fuel spillage.



- Do not block generator air vents with paper or other material.

DANGER

Using a generator indoors **CAN KILL YOU IN MINUTES.**

Generator exhaust contains carbon monoxide. This is a poison you cannot see or smell.



NEVER use inside a home or garage, **EVEN IF** doors and windows are open.



Only use OUTSIDE and far away from windows, doors, and vents.

Avoid other generator hazards.
READ MANUAL BEFORE USE.

WARNING

POISONOUS GAS HAZARD.



Engine exhaust contains carbon monoxide, a poisonous gas that could kill you in minutes. You **CANNOT** smell it, see it, or taste it. Even if you do not smell exhaust fumes, you could still be exposed to carbon monoxide gas.

- Operate this product **ONLY** outside far away from windows, doors and vents to reduce the risk of carbon monoxide gas from accumulating and potentially being drawn towards occupied spaces.
- Install battery-operated carbon monoxide alarms or plug-in carbon monoxide alarms with battery back-up according to the manufacturer's instructions. Smoke alarms cannot detect carbon monoxide gas.
- **DO NOT** run this product inside homes, garages, basements, crawlspaces, sheds, or other partially-enclosed spaces even if using fans or opening doors and windows for ventilation. Carbon monoxide can quickly build up in these spaces and can linger for hours, even after this product has shut off.
- **ALWAYS** place this product downwind and point the engine exhaust away from occupied spaces. If you start to feel sick, dizzy, or weak while using this product, shut it off and get to fresh air **RIGHT AWAY**. See a doctor. You may have carbon monoxide poisoning.

Surge Protection

CAUTION

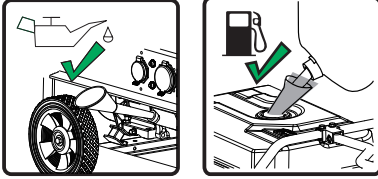
Voltage fluctuation may impair the proper functioning of sensitive electronic equipment.

Electronic devices, including computers and many programmable appliances use components that are designed to operate within a narrow voltage range and may be affected by momentary voltage fluctuations. While there is no way to prevent voltage fluctuations, you can take steps to protect sensitive electronic equipment.

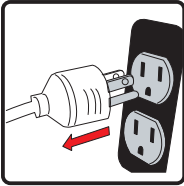
Install UL1449, CSA-listed, plug-in surge suppressors on the outlets feeding your sensitive equipment. Surge suppressors come in single- or multi-outlet styles. They're designed to protect against virtually all short-duration voltage fluctuations.

Starting the Generator

1. Before starting the generator, check for loose or missing parts and for any damage which may have occurred during shipment.
2. Check oil level and fuel.



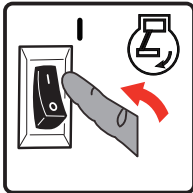
3. Disconnect all electrical loads from the generator. Never start or stop the generator with electrical devices plugged in or turned on.



4. Turn the fuel valve to the "ON" (I) position.



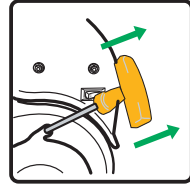
5. Flip the engine switch to the "ON" (I) position.



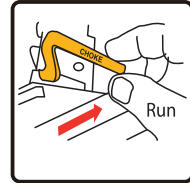
6. Move the choke lever to the "START" position.



7. Pull the starter cord slowly until resistance is felt and then pull rapidly.



8. Do not over-choke. As soon as engine starts and warms up, move the choke lever to the "RUN" position.



9. Allow generator to run at no load for few minutes upon each initial start-up to permit engine and generator to stabilize.

⚠ WARNING



Starter cord kickback (rapid retraction) will pull hand and arm toward engine faster than you can let go which could cause broken bones, fractures, bruises, or sprains resulting in serious injury.

When starting engine, pull cord slowly until resistance is felt and then pull rapidly to avoid kickback.

NOTE:

Keep choke lever in "START" position for only 1 pull of the recoil starter. After first pull, move choke lever to the "RUN" position for up to the next 3 pulls of the recoil starter. Too much choke leads to sparkplug fouling/engine flooding due to the lack of incoming air. This will cause the engine not to start.

NOTE:

If engine starts after 3 pulls but fails to run, or if unit shuts down during operation, make sure unit is on a level surface and check for proper oil level in crankcase. This unit may be equipped with a low oil protection device. If so, oil must be at proper level for engine to start.

Connecting Electrical Loads

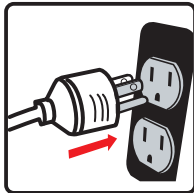
This unit has been pretested and adjusted to handle its full capacity. Before starting the generator, disconnect all load. Apply load only after generator is running. Voltage is regulated via the engine speed adjusted at the factory for correct output. Readjusting will void warranty.

CAUTION

When applying a load, do not exceed the maximum wattage rating of the generator when using one or more receptacles. Also, do not exceed the amperage rating of any one receptacle.

Do not apply heavy electrical load during break-in period (the first five hours of operations).

1. Let engine stabilize and warm up for a few minutes after starting.
2. Ensure circuit breaker on control panel is in on position.
3. Plug in and turn on the desired 120 or 240 Volt AC, single phase, 60Hz electrical loads. It is better to attach the item with largest load first.



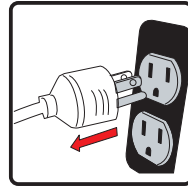
NOTE:

Connecting a generator to your electric utility company's power lines or to another power source may be against the law. In addition this action, if done incorrectly, could damage your generator and appliances and could cause serious injury or even death to you or a utility worker who may be working on nearby power lines. If you plan to run a portable electric generator during an outage, please notify your electric utility company immediately and remember to plug your appliances directly into the generator. Do not plug the generator into any electric outlet in your home. Doing so could create a connection to the utility company power lines. You are responsible for ensuring that your generator's electricity does not feed back into the electric utility power lines. If the generator will be connected to a building

electrical system, consult your local utility company or a qualified electrician. Connections must isolate generator power from utility power and must comply with all applicable laws and codes.

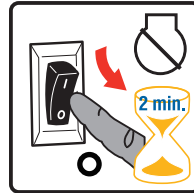
Stopping the Engine

1. Turn off and remove entire electrical loads. Never start or stop the generator with electrical devices plugged in or turned on.



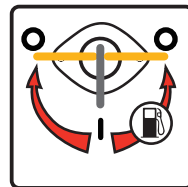
Let the generator run at no-load for two minutes to stabilize internal temperatures of the engine and generator.

2. Press the engine switch to the "OFF" (O) position.



Do not leave the generator until it has completely stopped.

3. Turn the fuel valve to the "OFF" (O) position.



If a cover is used, do not install until unit has cooled.

WARNING



Fuel and its vapors are extremely flammable and explosive which could cause burns, fire or explosion resulting in death, serious injury and/or property damage.

DO NOT stop engine by moving choke control to "START" position.

Important: Always ensure that the Fuel Valve and the Engine Switch are in the "OFF" position when the engine is not in use.

NOTE:

If the engine will not be used for a period of two weeks or longer, please see the Storage section for proper engine and fuel storage.

Low Oil Shutdown

If the engine oil drops below a preset level, an oil switch will stop the engine. Check oil level with dipstick.

If oil level is between LOW and HIGH mark on dipstick:

1. DO NOT try to restart the engine.
2. Contact an Authorized FIRMAN Service Dealer.
3. DO NOT operate engine until oil level is corrected.

If oil level is below LOW mark on dipstick:

1. Add oil to bring level to HIGH mark.
2. Restart engine and if the engine stops again a low oil condition may still exist. DO NOT try to restart the engine.
3. Contact an Authorized FIRMAN Service Dealer.
4. DO NOT operate engine until oil level is corrected.

Do Not Overload Generator

Overloading a generator in excess of its rated wattage capacity can result in damage to the generator and to connected electrical devices.

To prolong the life of your generator and attached devices, follow these steps to add electrical load:

1. Start the generator with no electrical load attached.
2. Allow the engine to run for several minutes to stabilize.
3. Plug in and turn on the first item. It is best to attach the item with the largest load first.
4. Allow the engine to stabilize.
5. Plug in and turn on the next item.
6. Allow the engine to stabilize.
7. Repeat steps 5-6 for each additional item.

MAINTENANCE AND STORAGE

MAINTENANCE SCHEDULE

ITEM	NOTES	Daily(Before operation)	Initial 25 hours	Every 50 hours	Every 100 hours (or annual)
Spark Plug	Check condition. Adjust gap and clean. Replace if necessary.				✓
Engine Oil	Check oil level.	✓			
	Replace.		✓		✓
Air Filter	Clean, replace if necessary.			✓	
Fuel Filter	Clean fuel filter and fuel tank strainer. Replace if necessary.				✓
Fuel Line	Check fuel hose for cracks or other damage. Replace if necessary.	✓			
Exhaust System	Check for leakage. Retighten or replace gasket if necessary.	✓			
	Check spark arrester screen. Clean/Replace if necessary.				✓
Carburetor	Check choke operation.	✓			
Starting System	Check recoil starter operation.	✓			
Fittings/ Fasteners	Check. Replace if necessary.				✓

General Recommendations

Regular maintenance will improve the performance and extend the life of the generator. See any authorized dealer for service.

The generator's warranty does not cover items that have been subjected to operator abuse or negligence. To receive full value from the warranty, the operator must maintain the generator as instructed in this manual.

Some adjustments will need to be made periodically to properly maintain your generator.

All service and adjustments should be made at least once each season. Follow the requirements in the Maintenance Schedule chart above.

Notice Once a year you should clean or replace the spark plug and replace the air filter. New spark plugs and clean air filter assure proper fuel-air mixture and help your engine run better and last longer.

ENGINE MAINTENANCE

To prevent accidental starting, remove and ground spark plug wire before performing any service.

Change Engine Oil

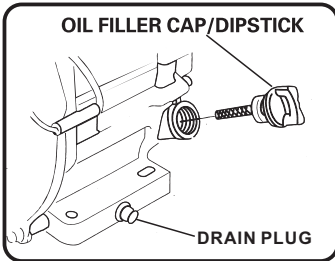
Change engine oil every 100 hours.
(for a new engine, change oil after 25 hours.)

If you are using your generator under extremely dirty or dusty conditions, or in extremely hot weather, change the oil more often.

CAUTION

Avoid prolonged or repeated skin contact with used motor oil.

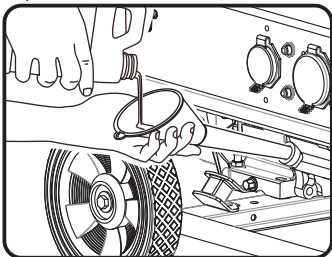
- Used motor oil has been shown to cause skin cancer in certain laboratory animals.
 - Thoroughly wash exposed areas with soap and water.
- (a) Drain oil by removing the drain plug and the oil filler cap while the engine is warm.



NOTE:

Please use a container to dispose of the oil at an approved recycling center.

(b) Reinstall the drain plug and fill the engine with oil until it reaches the HIGH(H) level on the oil filler cap.

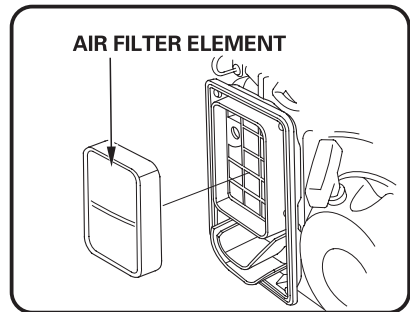
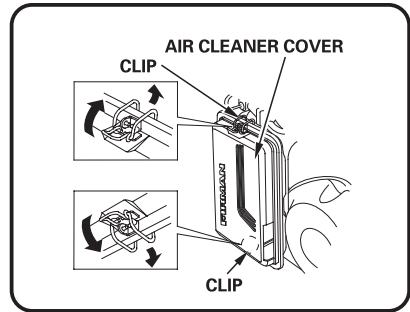


- Use fresh and high quality lubricating oil to the specified quantity.
If contaminated or deteriorated oil is used or the quantity of the engine oil is not sufficient, engine damage will result and its life will be greatly shortened.

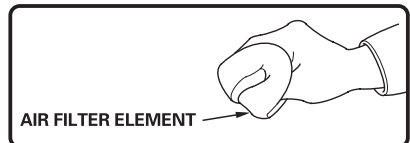
Air Filter Maintenance

Maintaining an air filter in proper condition is very important. Dirt induced through improperly installed, improperly serviced, or inadequate elements damages and wears out engines. Always keep the element clean.

(a) Take out the air cleaner, clean it well in kerosene and dry it.



(b) After wetting the element with clean engine oil squeeze it tight by hand.

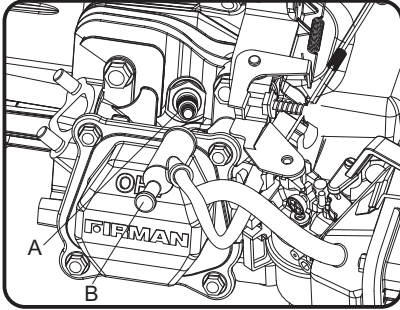


(c) Lastly, put the element in the case and install it securely.

Spark Plug Maintenance

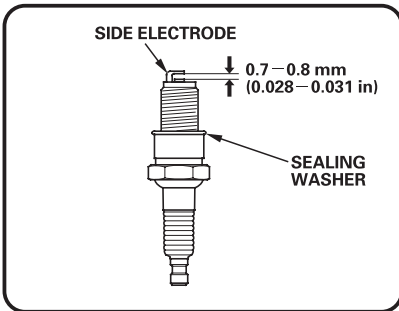
Changing the spark plug will help your engine to start easier and run better.

- Remove the spark plug cap.
- Remove spark plug using provided wrench.



A- Spark plug
B- Spark plug cap

- Inspect spark plug for damage and clean with a wire brush before reinstalling
- Adjust the electrode gap to 0.7 to 0.8 mm (0.028" to 0.031").
- Seat spark plug in position and thread by hand to prevent cross threading.
- Tighten plug with provided wrench and put the cap back on spark plug.

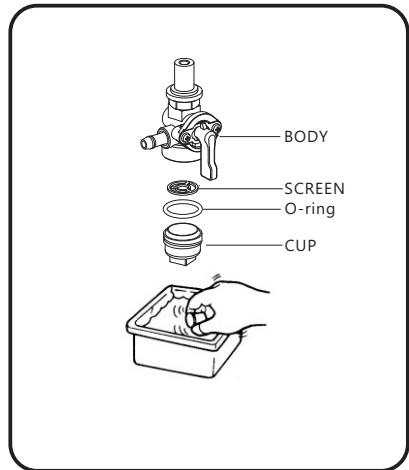


SPARK PLUG: TORCH F6RTC
NGK BPR6ES
CHAMPION RN9YC equivalent.

Cleaning Fuel Strainer

Dirt and water in the fuel are removed by the fuel strainer.

- Remove the strainer cup and throw away water and dirt.
- Clean the screens and strainer cup with gasoline.
- Tightly fasten the cup to main body, making sure to avoid fuel leak.



Inspect Muffler and Spark Arrester

Inspect the muffler for cracks, corrosion, or other damage. Remove the spark arrester, if equipped, and inspect for damage or carbon blockage. If replacement parts are required, make sure to use only original equipment replacement parts.

⚠ WARNING



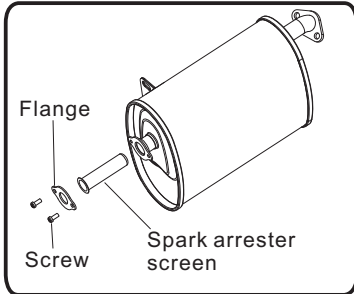
Exhaust heat/gases could ignite combustibles, structures or damage fuel tank causing a fire, resulting in death or serious injury and/or property. Contact with muffler area could cause burns resulting in serious injury.

- **DO NOT** touch hot parts and **AVOID** hot exhaust gases.
- Allow equipment to cool before touching.
- Keep at least 5 feet (1.5 m) of clearance on all sides of generator including overhead.
- Replacement parts must be the same and installed in the same position as the original parts.

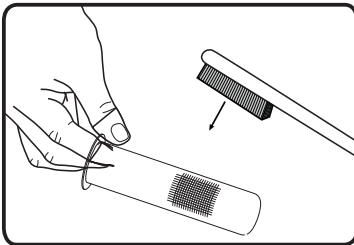
Clean or replace spark arrester as follows:

Depending on the type fuel used, the type and amount of lubricant used, and/or your operating conditions, the exhaust part and muffler may become blocked with carbon deposits. If you notice power loss, you may need to remove these deposits to restore performance.

1. Allow the engine to cool completely before servicing the spark arrester.
2. Remove the screws securing the spark arrester in place and the remove it from muffler.



3. Carefully remove the carbon deposits from the spark arrester screen with a wire brush.



4. Replace the spark arrester if it is damaged.
5. Position the spark arrester in the muffler and attach with the screws.

CAUTION

Failure to clean the spark arrester will result in degraded engine performance.

Generator Maintenance

Make certain that the generator is kept clean and stored properly. Only operate the unit on a flat, level surface in a clean, dry operating environment. **DO NOT** expose the unit to extreme conditions, excessive dust, dirt, moisture or corrosive vapours.

CAUTION

DO NOT use a garden hose to clean the generator. Water can enter the generator through the cooling slots and damage the generator windings.

Use a damp cloth to clean exterior surfaces of the generator.

Use a soft bristle brush to remove dirt and oil. Use an air compressor (25 PSI) to clear dirt and debris from the generator.

Inspect all air vents and cooling slots to ensure that they are clean and unobstructed.

Service and Storage

Infrequent Service

If the unit is used infrequently, difficult starting may result. To eliminate hard starting, follow these instructions:

1. Run the generator at least 30 minutes every month.
2. Run the generator, then close the fuel shut-off valve and allow the unit to run until the engine stops.
3. Move the engine switch to the "OFF" position.

Long Term Storage

When the generator set is not being operated or is being stored more than one month, follow these instructions:

1. Replenish engine oil to upper level.
2. Run the generator, then close the fuel shut-off valve and allow the unit to run until the engine stops.
3. Move the engine switch to the "OFF" position.
4. After the unit has cooled, drain gasoline from fuel tank, fuel line and carburetor.
5. Pour about one teaspoon of engine oil through the spark plug hole, pull the recoil starter several times and replace the plug. Then pull the starter until you feel the piston is on its compression stroke and leave it in that position. This closes both the intake and exhaust valves to prevent the inside of the cylinder from rusting.
6. Cover the unit and store in a clean, dry place that is well ventilated away from open flame or sparks.

NOTE: We recommend always using a fuel stabilizer. A fuel stabilizer will minimize the formulation of fuel gum deposits during storage. The fuel stabilizer can be added to the gasoline in the fuel tank, or into the gasoline in a storage container.

NEVER USE WATER TO CLEAN GENERATOR.

- Pull starter handle until resistance is felt, leaving handle in that position.
- Store generator in a well ventilated, low humidity area.

WARNING

Generator exhaust contains odourless and colourless carbon monoxide gas.

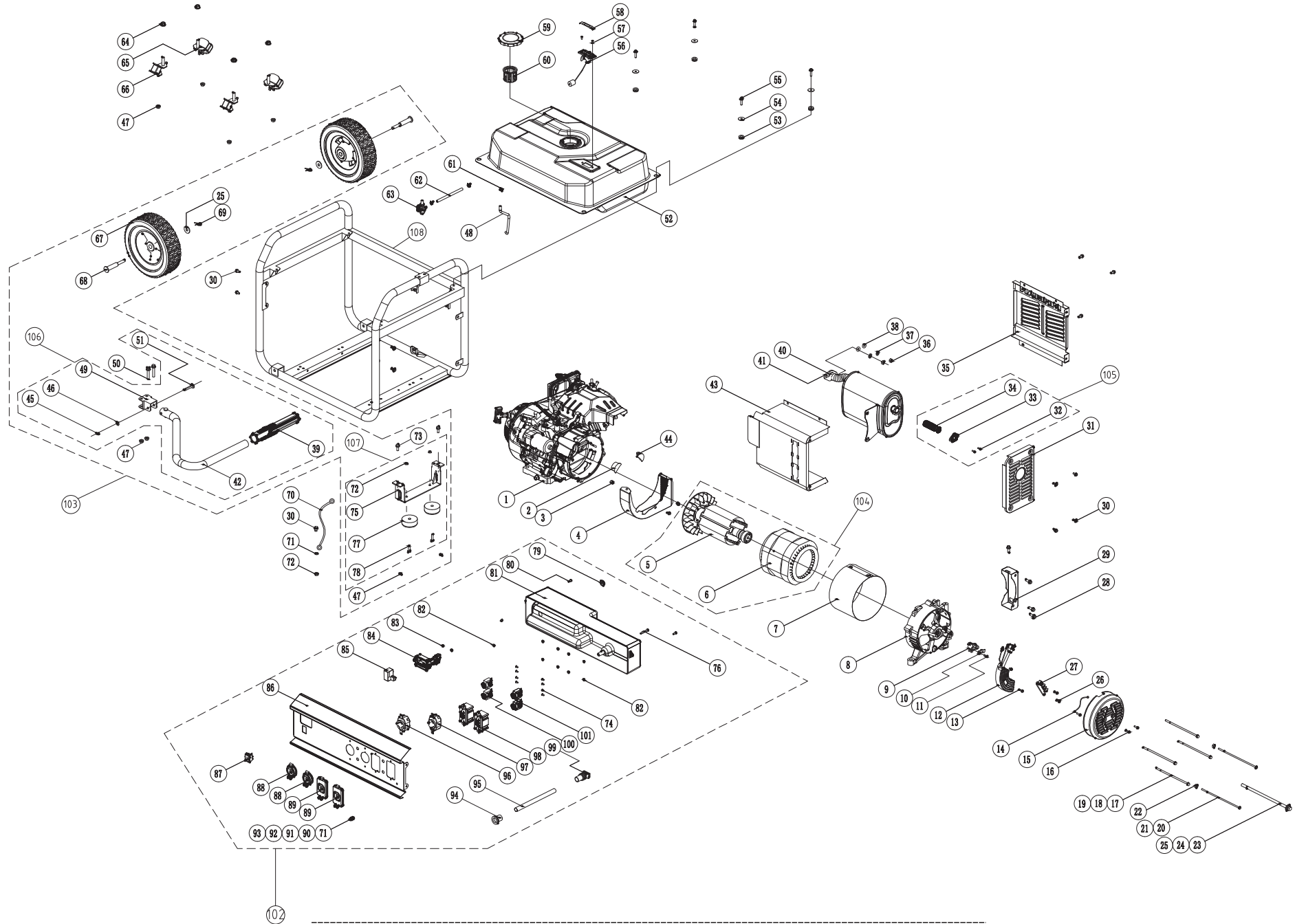
To avoid accidental or unintended ignition of your generator during periods of storage, the following precautions should be followed: When storing the generator for short or extended periods of time make sure that the Engine Switch and the Fuel Valve are set in the OFF position.

TROUBLE SHOOTING

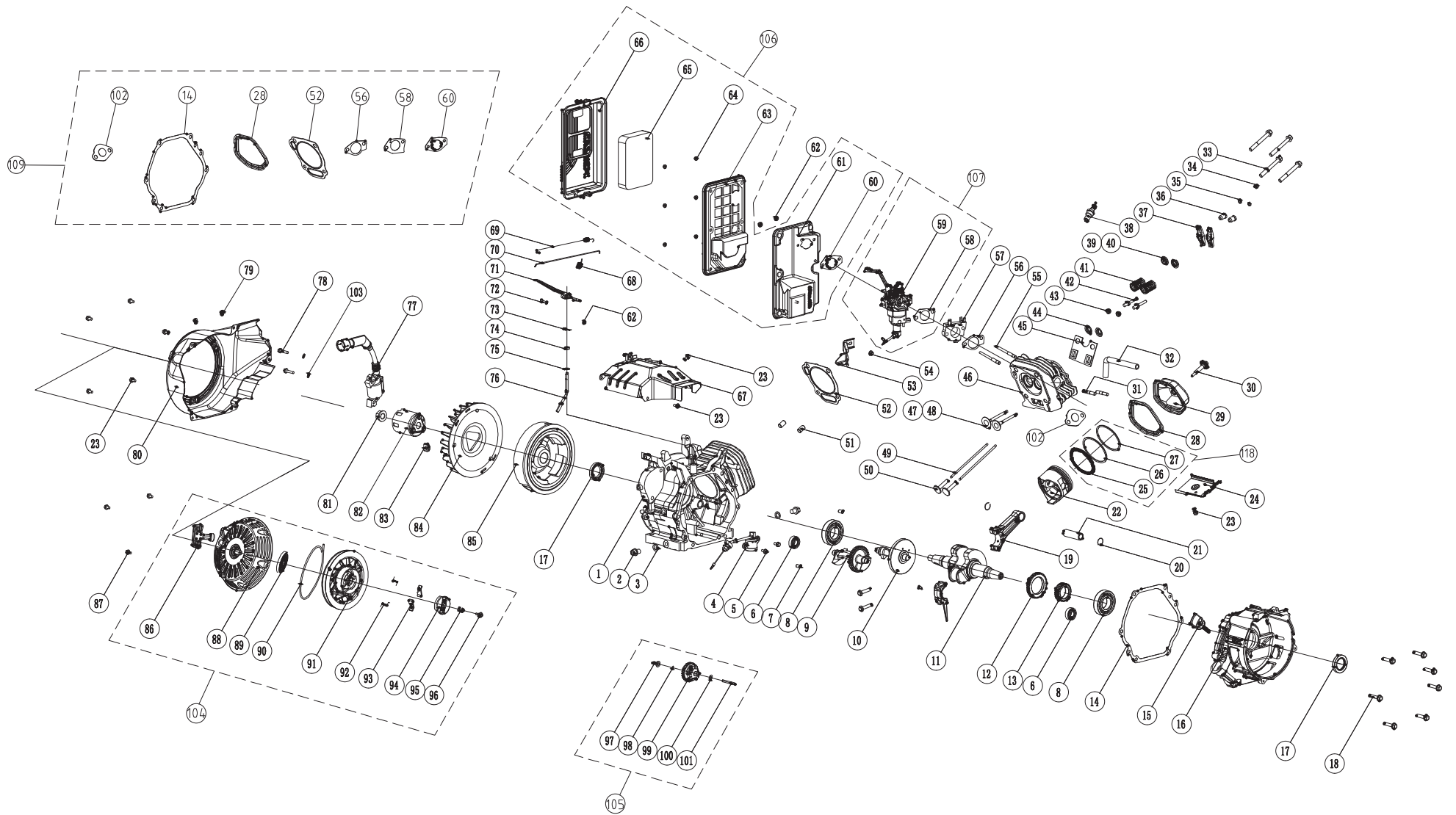
Problem	Cause	Correction
Engine is running, but no AC output is available.	<ol style="list-style-type: none"> 1. Circuit breaker is open. 2. Fault in generator. 3. Poor connection or defective cord set. 4. Connected device is bad. 	<ol style="list-style-type: none"> 1. Reset circuit breaker. 2. Contact authorized service facility. 3. Check and repair. 4. Connect another device that is in good condition.
Engine runs good at no-load but "bogs down" when loads are connected.	<ol style="list-style-type: none"> 1. Short circuit in a connected load. 2. Engine speed is too slow. 3. Generator is overloaded. 4. Shorted generator circuit. 5. Clogged or dirty fuel filter. 	<ol style="list-style-type: none"> 1. Disconnect shorted electrical load. 2. Contact authorized service facility. 3. See Don't Overload Generator 4. Contact authorized service facility. 5. Clean or replace fuel filter.
Engine will not start; starts and runs rough or shuts down when running.	<ol style="list-style-type: none"> 1. Engine switch set to OFF (O) position. 2. Fuel shutoff lever is in OFF (O) position. 3. Low oil level. 4. Dirty air cleaner. 5. Out of fuel. 6. Stale fuel. 7. Spark plug wire not connected to spark plug. 8. Bad spark plug. 9. Water in fuel. 10. Flooded. 11. Excessively rich fuel mixture. 12. Intake valve stuck open or closed. 13. Engine has lost compression. 14. Clogged or dirty fuel filter. 	<ol style="list-style-type: none"> 1. Set engine switch to ON (I) position. 2. Move fuel shutoff lever to ON (I) position. 3. Fill crankcase to proper level or place generator on level surface. 4. Clean or replace air cleaner. 5. Fill fuel tank. 6. Drain fuel tank and carburetor; fill with fresh fuel. 7. Connect wire to spark plug. 8. Replace spark plug. 9. Drain gas tank and carburetor; fill with fresh fuel. 10. Wait 5 minutes and re-crank engine. 11. Contact authorized service facility. 12. Contact authorized service facility. 13. Contact authorized service facility. 14. Clean or replace fuel filter.
Engine lacks power.	<ol style="list-style-type: none"> 1. Load is too high. 2. Dirty air filter. 3. Clogged or dirty fuel filter. 4. Clogged spark arrester. 	<ol style="list-style-type: none"> 1. Don't Overload Generator 2. Replace air filter. 3. Clean or replace fuel filter. 4. Clean or replace spark arrester.
Engine "hunts" or falters.	<ol style="list-style-type: none"> 1. Carburetor is running too rich or too lean. 2. Clogged or dirty fuel filter. 	<ol style="list-style-type: none"> 1. Contact authorized service facility. 2. Clean or replace fuel filter.
Engine shuts down when running.	<ol style="list-style-type: none"> 1. Out of fuel. 2. Dirty air cleaner. 3. Low oil level. 	<ol style="list-style-type: none"> 1. Fill fuel tank. 2. Clean or replace air cleaner. 3. Fill crankcase to proper level or place generator on level surface.

PARTS DIAGRAM AND PARTS LIST

P05701 PARTS DIAGRAM



FIRMAN 389cc Engine Parts Diagram



P05701 Parts List

NO.	Part Number	Description	Qty.
1	357713500	FIRMAN 389cc Engine	1
2	357713501	Rubber Cap B	1
3	336713528	Flange Bolt M6×8	3
4	357713502	Generator Wind Shield	1
5	357713503	Rotor Assy	1
6	357713504	Stator Assy	1
7	357713505	Stator Cover	1
8	357713506	Generator End Cover	1
9	357713507	Carbon Brush Assembly	1
10	336713525	Carbon Brush Holder	1
11	357713563	Bolt & washer Assemblies	1
12	357713508	AVR	1
13	336713519	Flg. Bolt M5×16	2
14	336713522	Ground Wire	1
15	357713509	Generator End Cover Cap	1
16	336713507	Flange Bolt M5×12	3
17	336713511	Flange Bolt M6×179	4
18	336713512	Lock Washer Ø6	4
19	336713513	Flat Washer Ø6	4
20	336713577	Nut M5	2
21	357713510	Side Cover Bolt M5×214	2
22	357713511	Lock Washer Ø5	2
23	357713512	Flange Bolt M10×265	1
24	357713513	Lock Washer Ø10	2
25	357713514	Flat Washer Ø10	3
26	336713520	Bolt & washer Assemblies	2
27	336713523	Terminal Block	1
28	336713531	Flange Bolt M8×20	4
29	357713515	Bracket,muff	1
30	336713515	Flange Bolt M6×12	12
31	357713516	Guard, Muff.,side	1
32	336713538	Screw&washer Assy M5×14	2
33	357713517	Holder,Spark Arrester	1
34	336713536	Arrester,Spark	1
35	357713518	Guard, Muff.,Front	1
36	336713534	Nut M8	2
37	336713509	Lock Washer Ø8	2
38	336713533	Flat Washer Ø8	2
39	357713519	Grip, Handle	1
40	357713520	Gskt.,ext.	1
41	357713521	Muff.,assy.	1
42	357713522	Handle	1
43	357713523	Guard,Muff.,Back	1
44	357713524	Rubber Cap	1
45	336713590	Cotter Pin	1
46	336713591	Flat Washer(ø8.2×ø17×0.8)	1
47	336713558	Nut M8	8
48	357713525	Formed Vapor Hose	1
49	357713526	Bracket, Handle	1
50	357713527	Flange Bolt M8×50	2
51	336713594	Pin, Handle	1
52	357713528	Fuel Tank Assy.	1
53	336713542	Grommet, Fuel Tank	4
54	336713543	Buffer Washer	4

NO.	Part Number	Description	Qty.
55	336713544	Flange Bolt M6×20	4
56	357713529	Fuel Gauge Assy.	1
57	336713546	Screw M5×10	2
58	336713547	Fuel Gauge Display	1
59	336713549	Fuel Tank Cap Comp.	1
60	336713548	Fuel Filter, Wire Mesh	1
61	336713540	Clamp Ø8×6	3
62	357713530	Hose,Fuel	1
63	336713551	Fuel Valve	1
64	357713531	Nut M10	4
65	357713532	Isolator B	2
66	357713533	Isolator A	2
67	357713534	Wheel	2
68	357713535	Axle Pin	2
69	357713536	Cotter Pin	2
70	336713514	Ground Wire	1
71	336713516	Star Washer Ø6	1
72	336713517	Nut M6	3
73	336713559	Flange Bolt M8×16	2
74	336713569	Screw&washer Assy M4×8	8
75	357713538	Support Leg	1
76	336713589	Screw&washer Assy M5×38	1
77	336713557	Rubber, Support	2
78	336713561	Flange Bolt M6×25	2
79	336713564	Grommet	1
80	336713565	Screw M5×14	2
81	357713539	Control Box	1
82	336713568	Nut M4	9
83	336713567	Nut M3	2
84	336713570	Multi Meter	1
85	336713620	Module	1
86	357713540	Control Panel	1
87	336713572	Engine Switch	1
88	336713573	Outlet Cover L5-30R	2
89	357713541	Outlet Cover 5-20R GFCI	2
90	357713542	Flg. Bolt M6×22(ground)	1
91	357713543	Nut M6(ground)	2
92	336713512	Lock Washer Ø6	2
93	357713544	Flat Washer Ø6	2
94	357713545	Grommet	1
95	357713546	Sleeve	1
96	336713601	Receptacle L14-30R	1
97	336713583	Receptacle L5-30R	1
98	357713547	Receptacle 5-20R Duplex GFCI	2
99	357713548	Grommet	1
100	336713586	Circuit Breaker Amp 24A	2
101	336713585	Circuit Breaker Amp 20A	2
102	357413500	Control Panel Assy.	1
103	357413501	Portability Kit	1
104	357413502	Rotor And Stator Set	1
105	357413503	Spark Arrester Kit	1
106	357413505	Handle Assembly	1
107	357413506	Support Leg Assembly	1
108	357713561	Frame	1

FIRMAN 389cc Engine Parts List

NO.	Part Number	Description	Qty.
1	357723587	Crankcase Subassembly.	1
2	357723501	Bolt, Drain Plug	2
3	357723502	Washer,Drain Bolt	2
4	357723503	Sensor, Engine Oil	1
5	357723504	Flg. Bolt M6×15	2
6	357723505	Bearing	2
7	336723501	Locating Pins	2
8	357723506	Bearing	2
9	357723507	Balance Shaft	1
10	357723508	Camshaft Assy.	1
11	357723509	Crankshaft	1
12	357723510	Gear,crank Shaft	1
13	357723511	Gear,drive	1
14	357723512	Gasket, Crankcase	1
15	357723513	Oil Dipstick Assy	1
16	357723514	Cover,Crankcase	1
17	357723515	Seal, Oil	2
18	357723516	Flg. Bolt M8×40	7
19	357723517	Rod, Connecting	1
20	357723518	Clip, Piston Pin	2
21	357723519	Pin, Piston	1
22	357723520	Piston	1
23	336723503	Flg. Bolt M6×12	7
24	357723521	Air Guide Lower	1
25	357723522	Ring Set, Oil	1
26	357723523	Ring, The Second	1
27	357723524	Ring, The First	1
28	357723525	Gasket, Cylinder Head Cover	1
29	357723526	Cover Subassembly, Cylinder Head	1
30	357723527	Bolt	1
31	357723528	Exhaust Valves Stud Bolt	2
32	357723529	Breather Tube	1
33	357723530	Flg. Bolt M10×80	4
34	357723531	Rotator, Valve	1
35	336723528	Nut, Valve Lock	2
36	336723529	Nut Valve Adjusting	2
37	357723532	Rocker, Valve	2
38	336723556	Spark Plug	1
39	357723533	Retainer, Intake Valve	1
40	357723534	Retainer, Exhaust Valve	1
41	357723535	Spring, valve	2
42	336723537	Bolt, Valve Adjusting	2
43	357723536	Oil Seal, valve	2
44	357723537	Retainer, Valve	2
45	357723538	Plate Subassembly, Lifter Stopper	1
46	357723539	Head Subassembly, Cylinder	1
47	357723540	Valve, In. take	1
48	357723541	Valve, Exhaust	1
49	357723542	Push Rod	2
50	357723543	Tappet, Valve	2
51	357723544	Locating Pins(φ12×20)	2
52	357723545	Gasket, Cylinder Head	1
53	357723546	Air Cleaner Holder	1
54	357723547	Nut M6	1
55	357723548	Stud, Intake	2
56	357723549	Gskt., Insulator	1

NO.	Part Number	Description	Qty.
57	357723550	Plate, Carburetor Insulator	1
58	357723551	Gasket, Carburetor	1
59	357723558	Carburetor	1
60	357723554	Gasket, Air Cleaner	1
61	357723555	Elbow, Air Cleaner	1
62	336723555	Nut M6	3
63	357723556	Clapboard	1
64	357723557	Nut M5	6
65	357723558	Element, Air Cleaner	1
66	357723559	Cover, Air Cleaner	1
67	357723560	Wind Guide, Top	1
68	357723561	Spring, Governor	1
69	357723562	Spring, Throttle Valve Returning	1
70	357723563	Rod, Governor	1
71	357723564	Arm, Governor	1
72	336723567	Bolt, Governor Arm	1
73	357723565	Pin, Shaft	1
74	357723566	Seal, Oil	1
75	336723564	Rocker Shim	1
76	357723567	Shaft, Governor Arm	1
77	357723568	Ignition Coil	1
78	357723569	Flg. Bolt M6×29	2
79	336723606	Wire Clip	2
80	357723570	Fan Cover Comp	1
81	357723571	Nut, Shaft	1
82	357723572	Pulley, Starter	1
83	336723612	Sheath, Wire	1
84	357723573	Cooling Fan	1
85	357723589	Flywheel Comp	1
86	357723577	Grip, Starter	1
87	357723578	Flg. Bolt M6×8	3
88	357723579	Case Comp.,recoil Starter	1
89	357723580	Spring, Starter Return	1
90	357723581	Cord	1
91	357723582	Pulley, Recoil Starter	1
92	336723589	Spring, Patchet	2
93	336723590	Patchet, Starter	2
94	336723591	Pawl Guide	1
95	336723592	Clip Sprg.,Pawl Guide	1
96	336723593	Screw,Pawl Guide	1
97	357723584	Bushing, Governor Gear	1
98	336723597	Clip, Governor Gear	1
99	357723585	Gear, Governor	1
100	336723595	Inner Washer, gear	1
101	357723586	Gov., gear Shaft	1
102	357713520	Gskt., ext.	1
103	336723615	Lock Washer	2
104	357423500	Recoil Starter Set	1
105	357423501	Governing Gear Set	1
106	357423502	Air Cleaner Set	1
107	357423506	Carburetor Set	1
108	357423504	Piston Rings Set	1
109	357423507	Gasket Set	1

SERVICE INFORMATION

CONTACT THE FIRMAN PRODUCT SERVICE DEPARTMENT AT 1-844-347-6261

or at www.firmangenerators.com
to obtain warranty service
information or to order
replacement parts or
accessories.

HOW TO ORDER REPLACEMENT PARTS

Even quality built equipment such as the electric generator you have purchased might need occasional replacement parts to maintain it in good condition over the years. To order replacement parts, please give the following information:

1. Model No. ,Rev. Level and Serial No. and all specifications shown on the Model No./Serial No. plate.
2. Parts number or numbers as shown in the Parts List section.
3. A brief description of the trouble with the generator.

REGISTER YOUR PRODUCT

Register your Firman generator online at www.firmangenerators.com

WARRANTY

FIRMAN Three (3) Year Limited Warranty

Warranty Qualifications

FIRMAN GENERATOR will register the warranty upon receipt of your Warranty Registration Card and a copy of your sales receipt from one of FIRMAN's retail locations as proof of purchase. Please submit your warranty registration and your proof of purchase within ten (10) days of the date of purchase.

Repair/Replacement Warranty

FIRMAN warrants to the original purchaser that the mechanical and electrical components will be free of defects in material and workmanship for a period of one (1) year (parts and labor) and three (3) years (parts) from the original date of purchase 90 days [parts and labor] and 180 days [parts] for commercial & industrial use. Transportation charges on product submitted for repair or replacement under this warranty are the sole responsibility of the purchaser. This warranty only applies to the original purchaser and is not transferable.

Do Not Return the Unit to the Place of Purchase

Contact the FIRMAN Service Center and FIRMAN will troubleshoot any issue via phone or e-mail. If the problem is not corrected by this method, FIRMAN will, at its option, authorize evaluation, repair or replacement of the defective part or component at a FIRMAN Service Center. FIRMAN will provide you with a case number for warranty service. Please keep it for future reference. Repairs or replacements without prior authorization, or at an unauthorized repair facility, will not be covered by this warranty.

Warranty Exclusions

This warranty does not cover the following repairs and equipment:

Normal Wear

Your product needs periodic parts and service to perform well. This warranty does not cover repair when normal use has exhausted the life of a part or the equipment as a whole.

Installation, Use and Maintenance

This warranty will not apply to parts and/or labor if your product is deemed to have been misused, neglected, involved in an accident, abused, loaded beyond the generator's limits, modified, installed improperly or connected incorrectly to any electrical component.

Normal maintenance is not covered by this warranty.

Other Exclusions

This warranty excludes:

- cosmetic defects such as paint, decals, etc.
- wear items
- accessory parts
- failures due to acts of God and other force majeure events beyond the manufacturer's control
- problems caused by parts that are not original FIRMAN parts

Limits of Implied Warranty and Consequential Damage

FIRMAN disclaims any obligation to cover any loss of time, use of this product, freight, or any incidental or consequential claim by anyone from using this product. THIS WARRANTY IS IN LIEU OF ALL OTHER WARRANTIES, EXPRESS OR IMPLIED, INCLUDING WARRANTIES OF MERCHANTABILITY OR FITNESS FOR A PARTICULAR PURPOSE.

A unit provided as an exchange will be subject to the warranty of the original unit. The length of the warranty governing the exchanged unit will remain calculated by reference to the purchase date of the original unit.

This warranty gives you certain legal rights which may change from state to state. Your state may also have other rights you may be entitled to that are not listed within this warranty.

Contact Information

You may contact FIRMAN at:

Address

Firman Power Equipment Inc.
Attn: Customer Service
14131 N Rio Vista Blvd Suite 9
Peoria, AZ 85381
www.firmangenerators.com

We are FIRMAN POWER - And we are here for you.
Customer Service Desk - 1-844-347-6261(844-FIRMAN1)
6am PST(9am EST) until 8pm EST(5pm PST)
Technical Service Desk - 1-844-347-6261(844-FIRMAN1)
6am PST(9am EST) until 8pm EST(5pm PST)
24/7 Tech Support - 1-844-347-6261(844-FIRMAN1)

FIRMAN POWER EQUIPMENT INC. Emission Control System Warranty

CALIFORNIA AND FEDERAL EXHAUST AND EVAPORATIVE EMISSIONS CONTROL WARRANTY STATEMENT GASOLINE ENGINES

YOUR WARRANTY RIGHTS AND OBLIGATIONS

The California Air Resources Board, US Environmental Protection Agency ("US EPA") and FIRMAN POWER EQUIPMENT INC. (FIRMAN) are pleased to explain the exhaust and evaporative emissions control systems warranty on your 2016-2017 or later Small Off-Road Engine ("SORE") and engine powered equipment as applicable. In California and the USA, SORE and engine powered equipment must be designed, built and equipped to meet California as applicable. In California and the USA, SORE and engine powered equipment must be designed, built and equipped to meet California and US EPA stringent anti-smog standards. FIRMAN must warrant the emissions control systems on your SORE and engine powered equipment for the period listed below provided there has been no abuse, neglect or improper maintenance of your SORE or engine powered equipment. Your exhaust emission control systems may include parts such as carburetors, fuel-injection systems, the ignition system, and catalytic converters. Also included may be an evaporative emission control system which may include fuel tanks, fuel lines, fuel caps, valves, canisters, filters, vapor hoses, clamps, connectors, belts and other associated components. For engines less than or equal to 80 cc, only the fuel tank is subject to the evaporative emission control warranty requirements of this section (California only).

OWNER'S WARRANTY RESPONSIBILITIES:

As the SORE or engine powered equipment owner, you are responsible for the performance of the required maintenance listed in your owner's manual. FIRMAN recommends that you retain all receipts covering maintenance on your SORE or engine powered equipment, but FIRMAN cannot deny warranty solely for the lack of receipts.

As the SORE or engine powered equipment owner, you should however be aware that FIRMAN may deny you warranty coverage if your SORE or engine powered equipment or a part has failed due to abuse, neglect, improper maintenance or unapproved modifications.

You are responsible for presenting your SORE or engine powered equipment to a FIRMAN distribution or service center as soon as a problem exists. The warranty repairs should be completed in a reasonable amount of time, not to exceed 30 days. If you have a question regarding your warranty coverage, you should contact FIRMAN at 1-844-347-6261.

GENERAL EMISSIONS WARRANTY COVERAGE

This emission control system is warranted for three years. The warranty period begins on the date the engine or equipment is delivered to an ultimate purchaser. FIRMAN warrants to the ultimate purchaser and each subsequent purchaser that the engine is:

Designed, built, and equipped so as to conform with all applicable regulations adopted by the Air Resources Board and US EPA; and Free from defects in materials and workmanship that cause the failure of a warranted part to be identical in all material respects to the part as described in the engine manufacturers application for certification.

The warranty on emissions-related parts is as follows:

- (1) Any warranted part that is not scheduled for replacement as required maintenance in the owner's manual supplied, is warranted for the warranty period stated above. If any such part fails during the period of warranty coverage, the part will be repaired or replaced by FIRMAN at no charge to the owner. Any such part repaired or replaced under the warranty will be warranted for the remaining warranty period.
- (2) Any warranted part that is scheduled only for regular inspection in the owner's manual supplied, is warranted for the warranty period stated above. Any such part repaired or replaced under warranty will be warranted for the remaining warranty period.
- (3) Any warranted part that is scheduled for replacement as required maintenance in the owner's manual supplied, is warranted for the period of time prior to the first scheduled replacement point for that part. If the part fails prior to the first scheduled replacement, the part will be repaired or replaced by FIRMAN at no charge to the owner. Any such part repaired or replaced under warranty will be warranted for the remainder of the period prior to the first scheduled replacement point for the part.
- (4) Repair or replacement of any warranted part under the warranty must be performed at no charge to the owner at a warranty station.
- (5) Notwithstanding the provisions of Subsection (4) above, warranty services or repairs must be provided by FIRMAN that are franchised to service the subject engines.
- (6) The owner must not be charged for diagnostic labor that leads to the determination that a warranted part is in fact defective, provided that such diagnostic work is performed at a warranty station.
- (7) FIRMAN is liable for damages to other engine components proximately caused by a failure under warranty of any warranted part.
- (8) Throughout the emissions warranty period defined in Subsection (b)(2), FIRMAN will maintain a supply of warranted parts sufficient to meet the expected demand for such parts.
- (9) Any replacement part may be used in the performance of any warranty maintenance or repairs and must be provided without charge to the owner. Such use will not reduce the warranty obligations of the manufacturer.
- (10) Add-on or modified parts that are not exempted by the Air Resources Board may not be used. The use of any non-exempted add-on or modified parts by the ultimate purchaser will be grounds for disallowing a warranty claim.

The manufacturer will not be liable to warrant failures of warranted parts caused by the use of a non-exempted add-on or modified part.

PARTS COVERED BY WARRANTY

Listed below are the parts (if equipped) covered by the Federal and California Emission Control Systems Warranty. Some parts listed below may require scheduled maintenance and are warranted up to the first scheduled replacement point for that part.

1. Ignition system including: - Spark plug - Ignition coil	4. Air induction system including: - Intake pipe/manifold - Air cleaner
2. Fuel metering system: - Fuel tank - Fuel cap - Fuel line and related fittings/clamps - Carburetor assembly including internal parts and gaskets	5. Crankcase breather assembly including: - Breather connection tube
3. Catalytic muffler assembly including: - Exhaust manifold - Catalytic converter - Muffler gasket - pulse valve	6. Fuel tank evaporative emission control system including: - Purge valves - Carbon canister - Vapor hoses and fitting/clamps

Limitations

This Emission Control Systems Warranty shall not cover any of the following:

- (a) Consequential damages such as loss of time, inconvenience, loss of use of the engine or equipment, etc.
- (b) Diagnosis and inspection fees that do not result in eligible warranty service being performed.

FIRMAN POWER EQUIPMENT INC.

Firman Power Equipment Inc.
14131 N Rio Vista Blvd Suite 9
Peoria, AZ 85381
www.firmangenerators.com

FIRMAN®

MANUAL PARA EL PROPIETARIO DEL GENERADOR PORTÁTIL



MODELO N°
P05701

Nivel rev:00

IMPORTANTE: Lea detenidamente todas las instrucciones y precauciones de seguridad antes de operar con el equipo.



Asegúrese de que el motor está parado y nivelado antes de realizar ningún mantenimiento o servicio.

Guarde la información del producto como referencia de consulta al realizar pedidos de piezas u obtener la cobertura de la garantía.



**NO LO DEVUELVA A
LA TIENDA!**



LLÁMENOS PRIMERO!
TELÉFONO DE ATENCIÓN AL CLIENTE
1-844-347-6261

PARA CONSULTAS O INFORMACIÓN
DEL SERVICIO

Número de serie: _____

Fecha de compra: _____

P/N:336745450 Rev:02

Índice de Contenido

Introducción	1	Mantenimiento Y Almacenamiento	19
Precauciones De Seguridad	2	Programa de Mantenimiento	19
Desempaquetar El Generador	6	Mantenimiento del Motor	20
Piezas Incluidas	6	Cambiar El Aceite Del Motor	20
Montaje	7	Mantenimiento del Filtro De Aire	20
Instalar El Equipo De Ruedas	7	Mantenimiento de La Bujía	21
Instalar La Pata De Apoyo	7	Limpieza del Filtro de Carburante	21
Instalar La Manivela	7	Inspeccionar El Silenciador Y El	
Controles Y Características	8	Apagachispas	21
Generador	8	Mantenimiento del Generador	22
Panel De Control	9	Servicio Y Almacenamiento	23
Especificaciones	11	Solucion de Problemas	24
Añadir Aceite Al Motor	12	Diagrama de Las Piezas Y Lista de Piezas . 25	
Apagado Por Bajo Nivel De Aceite	12	Diagrama de Las Piezas(Generador)	25
Añadir Combustible	13	Diagrama de Las Piezas(Motor)	26
Funcionamiento A Gran Altitud	13	Lista de Piezas	27
Toma de Tierra	14	Información de Servicio	29
Sistema Electrico De Conexion a un		Garantía	29
Edificio	14		
Funcionamiento	15		
Ubicación del Generador	15		
Protección Contra Sobrecargas	15		
Poner En Marcha El Generador	16		
Conexión de Cargas Eléctricas	17		
Parada del Motor	17		
Desconexión Por Nivel de Aceite Bajo	18		
No Sobrecargue El Generador	18		

INTRODUCCIÓN

Muchas gracias por comprar el generador FIRMAN.

Este manual contiene información de seguridad para que usted tome conciencia de los peligros y riesgos asociados a los productos electrógenos y para saber cómo puede evitarlos. Este generador está diseñado y previsto solo para suministrar energía eléctrica para operar con iluminación, aparatos, herramientas y cargas de motor compatibles, y no está previsto para ningún otro propósito. Es importante que usted lea y entienda completamente estas instrucciones antes de intentar empezar a operar con este equipo.

Guarde estas instrucciones originales para consultas futuras.

Este manual incluye el funcionamiento y el mantenimiento de los generadores FIRMAN. Toda información incluida en esta publicación está basada en la información de producción más actualizada disponible en el momento de la aprobación para impresión. El fabricante se reserva el derecho a modificar, alterar o, de otro modo, mejorar el generador y esta documentación en cualquier momento sin ningún cambio previo.

Información de Seguridad Importante

El fabricante no puede anticipar con posibilidad todas las circunstancias posibles que puedan implicar un peligro. Es decir, las advertencias en este manual y las etiquetas y pegatinas adheridas en la unidad no incluyen todas las posibilidades. Si usted sigue un procedimiento, un método de trabajo o una técnica de funcionamiento que el fabricante no recomienda específicamente, deberá confiar usted mismo de que ello es seguro para usted y para otros. Usted también debe asegurarse de que el método de trabajo y proceso o técnica de funcionamiento que elija no le aporta peligrosidad al generador.

INFORMACIÓN DE SEGURIDAD



PELIGRO

PELIGRO indica una situación potencialmente peligrosa que, si no se evita, **RESULTARÁ** en muerte o lesión grave.



ADVERTENCIA

ADVERTENCIA indica una situación potencialmente peligrosa que, si no se evita, podría resultar en muerte o lesión grave.



PRECAUCIÓN

PRECAUCIÓN indica una situación potencialmente peligrosa que, si no se evita, podría resultar en una lesión humana menor o moderada, o en daños en la propiedad.



Gases tóxicos



Riesgo de descarga eléctrica



Peligro de incendio



Peligro de explosión



Superficie caliente.
No tocar la superficie.



Peligro de entrelazamiento
entre las piezas en rotación






Retroceso



Manual del Operario

SAFETY PRECAUTIONS

 PELIGRO	
Utilizar un generador en el interior PUEDE MATARLE EN CUESTIÓN DE MINUTOS. El tubo de escape del generador contiene monóxido de carbono. Se trata de un gas tóxico que no se ve ni se huele.	
	
NUNCA lo use en el interior de una casa o de un garaje, INCLUSO SI las puertas o las ventanas están abiertas.	Utilizar solo EN EL EXTERIOR y lejos de ventanas, puertas y conductos de ventilación.
Evitar otros peligros del generador. LEA EL MANUAL ANTES DE USAR.	

ADVERTENCIA

PELIGRO DE GAS TÓXICO



El tubo de escape del motor contiene monóxido de carbono, un gas tóxico que podría matarle en cuestión de minutos. Usted **NO PUEDE** olerlo, verlo ni notarlo al gusto. Incluso si usted no huele el gas del tubo de escape, podría seguir estando expuesto al gas del monóxido de carbono.

- Utilizar este producto **SOLO** en el exterior y lejos de ventanas, puertas y conductos de ventilación para reducir el riesgo de que el gas monóxido de carbono se acumule y sea conducido potencialmente hacia espacios ocupados.
- Instale alarmas de monóxido de carbono a batería o alarmas de monóxido de carbono con enchufe y con batería de seguridad según las instrucciones del fabricante. Las alarmas de humo no pueden detectar el gas de monóxido de carbono.
- **NO** haga funcionar este producto dentro de casas, garajes, sótanos, sótanos de poca altura, cobertizos u otros espacios parcialmente cerrados, aunque tenga ventiladores o puertas y ventanas abiertas para ventilar. El monóxido de carbono puede aumentar rápidamente en estos espacios y puede permanecer durante horas, incluso una vez apagado este producto.

- **SIEMPRE** coloque este producto en la dirección del viento y situando el tubo de escape del motor lejos de espacios ocupados. Si se empieza a encontrar mal, mareado o débil durante la utilización de este producto, apáguelo y salga a tomar aire fresco **INMEDIATAMENTE**. Visite a un médico. Usted podría haberse intoxicado por monóxido de carbono.

ADVERTENCIA

El tubo de escape del motor de este producto contiene sustancias químicas que según el Estado de California son conocidas por causar cáncer, malformaciones congénitas u otros daños reproductivos.

ADVERTENCIA

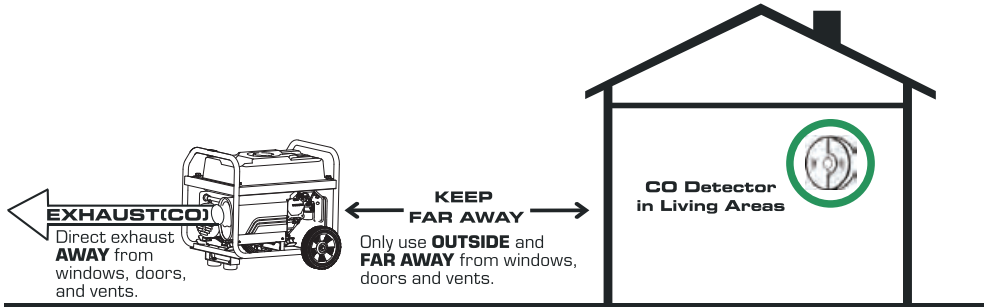
Ciertos componentes en este producto y accesorios relacionados contienen sustancias químicas que según el Estado de California son conocidas por causar cáncer, malformaciones congénitas u otros daños reproductivos. Lávese las manos antes de su manipulación.

- Si se empieza a encontrar mal, mareado o débil durante el uso del generador portátil, podría haberse intoxicado por monóxido de carbono. Salga a tomar aire fresco inmediatamente y llame al 911 para recibir atención médica de emergencia. Niveles muy altos de CO podrían provocar que las víctimas perdieran el conocimiento antes de poderse salvar. **NO** intente apagar el generador antes de salir a tomar aire fresco. Entrar en espacios cerrados donde un generador está o ha estado funcionando podría podenerle en un mayor riesgo de intoxicación por CO.

USO CORRECTO

Ubicación ejemplar para reducir los riesgos de intoxicación por monóxido de carbono

- ISOLO usarse en el exterior y en la dirección del viento, lejos de ventanas, puertas y conductos de ventilación.
- Direccionar el tubo de escape lejos de espacios ocupados.



USO INCORRECTO

No utilizar en ninguno de los lugares siguientes:

Cerca de una puerta, ventana o conducto de ventilación

Garaje

Sótano

Sótano de poca altura

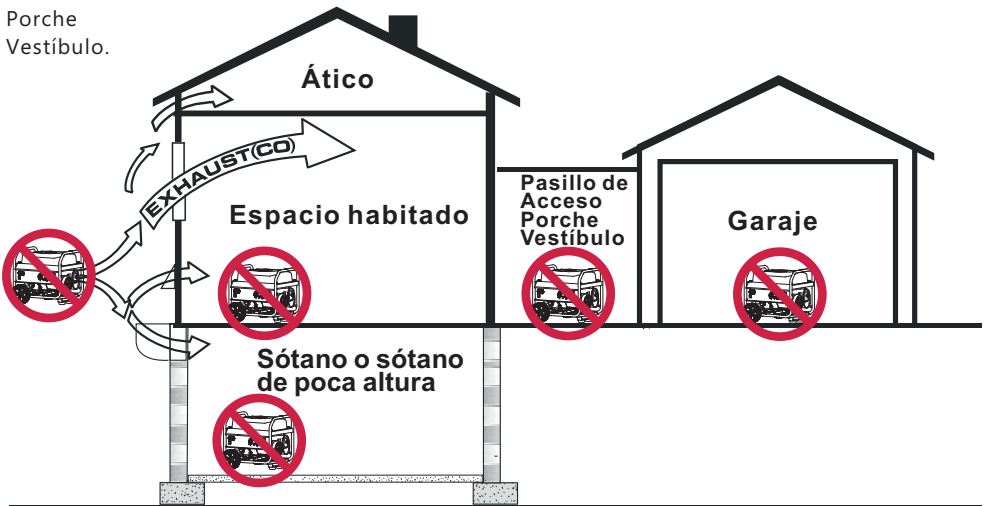
Espacio habitado

Ático

Pasillo de acceso

Porche

Vestíbulo.



⚠️ ADVERTENCIA



El retroceso del cable de arranque (retracción rápida) estirará la mano y el brazo hacia el motor muy rápido y antes de que usted lo pueda soltar, lo cuál podría causar huesos rotos, fracturas, moratones o esguinces, resultando en una grave herida.

- Cuando vaya a poner en marcha el motor, estire el cable poco a poco hasta que note resistencia, y entonces estire rápidamente para evitar el retroceso.
- **NUNCA** ponga en marcha o apague el motor con aparatos eléctricos enchufados y encendidos.

⚠️ ADVERTENCIA



El combustible y su vapor son extremadamente inflamables y explosivos, y podrían provocar quemaduras, incendios o explosiones resultando en muerte o heridas graves, y en daños en la propiedad.

AÑADIR O VACIAR COMBUSTIBLE

- Apague el motor y déjelo enfriar durante al menos 2 minutos antes de quitar el tapón del combustible. Afloje el tapón lentamente para atenuar la presión del depósito. Fill or drain fuel tank outdoors.
- Rellene o vacíe el depósito de combustible en un lugar exterior.
- **NO** llene demasiado el depósito. Deje espacio para la expansión del combustible.
- Si se vierte combustible espere hasta que se evapore antes de poner el motor en marcha.
- Mantenga el combustible lejos de chispas, llamas abiertas, luces piloto, calor y otras fuentes de ignición.
- Revise frecuentemente las líneas, el depósito, el tapón y el equipamiento del combustible y compruebe que no haya grietas o escapes. Reemplázelo si es necesario.
- **NO** encienda un cigarrillo ni fume.

PONER EN MARCHA EL EQUIPO

- Asegúrese de que la bujía, el silenciador, el tapón del combustible y el limpiador de aire están en su sitio.
- **NO** gire el motor con la bujía quitada.

PONER EL EQUIPO EN FUNCIONAMIENTO

- **NO** ponga en funcionamiento este producto dentro de un edificio, garaje abierto, porche, equipamiento móvil, aplicaciones marinas o recintos cerrados.
- **NO** incline el motor o el equipo hacia un ángulo que pueda hacer verter combustible.
- **NO** apague el motor girando el mando del estárter hacia la posición "Start" ("Encender")

TRANSPORTAR, MOVER O REPARAR EL EQUIPO

- Transportar/mover/ reparar con el depósito de combustible VACÍO o con la válvula de interrupción de combustible apagada (OFF).
- **NO** incline el motor o el equipo hacia un ángulo que podría hacer verter combustible.
- Desconecte el cable de la bujía.

ALMACENAJE DE COMBUSTIBLE O DEL EQUIPO CON COMBUSTIBLE EN EL DEPÓSITO

- Almacenar lejos de hornos, estufas, calentadores de agua, secadoras de ropa, u otros aparatos que puedan tener una luz piloto u otras fuentes de ignición, ya que podrían prender fuego al vapor del combustible.

⚠️ ADVERTENCIA

- Este generador no cumple con el Reglamento de la Guarda Costera de los EUA 33CFR-183, y no debería utilizarse en aplicaciones marinas.
- La utilización de generadores no homologados por la Guarda Costera de los EUA, podría resultar en muerte o en heridas graves y/o daños de la propiedad.

⚠️ ADVERTENCIA



El voltaje del generador podría causar descargas eléctricas o quemadas resultando en muerte o heridas graves.

- Utilice el equipo de transferencia homologado, y adaptado para el uso intencionado, con tal de prevenir retroalimentación por separar el generador de los operarios eléctricos.

- Cuando utilice el generador como energía de reserva, notifique a la empresa eléctrica.
- **No** usar un interruptor de circuito con falla a tierra (GFCI de las siglas en inglés) en ningún área húmeda o altamente conductora, como entablados de metal u obras de acero.
- **NO** tocar cables o receptáculos pelados.
- **NO** utilizar el generador con cuerdas eléctricas que estén gastadas, peladas o dañadas de algún modo.
- **NO** hacer funcionar el generador bajo la lluvia o con un clima húmedo.
- **NO** manipular el generador o cables eléctricos si se está encima del agua, con los pies descalzos o con las manos o los pies mojados.
- **NO** permitir a personal no calificado o niños que operen o sirvan el generador.

ADVERTENCIA



El calor/gases del tubo de escape podrían prender fuego a combustibles, estructuras o depósito de combustible dañado, provocando un incendio y resultando en muerte o heridas graves y/o daños en la propiedad.

El contacto con el área del silenciador podría encenderse y resultar en daños graves.

- **NO** tocar las partes calientes y EVITAR los gases calientes del tubo de escape.
- Dejar que el equipo se enfríe antes de tocarlo.
- Se considera violación del Código de Recursos Públicos de California, Sección 4442, utilizar u operar el motor en cualquier terreno cubierto de árboles, de arbustos o de hierba, excepto si el sistema de escape está equipado con un parachispas, tal y como se describe en la Sección 4442, mantenido en perfecto funcionamiento. Otros estados o jurisdicciones federales pueden tener leyes similares. Contacte con el fabricante original, minorista, o distribuidor del equipo para obtener un parachispas diseñado para el sistema de escape instalado en este motor.
- El recambio de las piezas debe ser el mismo y estar instalado en la misma posición que las piezas originales.

ADVERTENCIA



Chispas no intencionadas podrían provocar un incendio o una descarga eléctrica, resultando en muerte o heridas graves.

AJUSTAR O HACER REPARACIONES A SU GENERADOR

- Desconecte el cable de la bujía de la bujía y coloque el cable donde no pueda haber contacto con la bujía.

HACER PRUEBAS PARA LAS CHISPAS DEL MOTOR

- Utilice un tester para bujías apto
- **NO** revise si hay chispas cuando la bujía esté retirada.

ADVERTENCIA



El interruptor de encendido y otras partes giratorias podrían enredarse con manos, pelo, ropa u otros accesorios, resultando en heridas graves.

- **NUNCA** haga funcionar el generador sin cubierta o sin tapas protectoras.
- **NO** lleve ropa holgada, joyas o nada que pueda atascarse en el interruptor de encendido o en otras partes giratorias.
- Átese los cabellos largos y quítese las joyas.

PRECAUCIÓN

Velocidades de funcionamiento excesivamente altas podrían resultar en heridas menores. Velocidades de funcionamiento excesivamente bajas obligan a una carga pesada.

- **NO** altere el muelle gobernador, los enlaces u otras partes para incrementar la velocidad del motor. El generador suministra una frecuencia y voltajes correctamente evaluados cuando funcionan a una velocidad gobernada.
- **NO** modifique el generador de ninguna manera.

NOTA:

Exceder la capacidad de potencia eléctrica/amperaje de los generadores podría dañar el generador y/o los dispositivos eléctricos conectados a él.

- **NO** exceda la capacidad de amperaje y potencia eléctrica del generador.
- Encienda el generador y deje que el motor se estabilice antes de conectar las cargas eléctricas.
- Conecte las cargas eléctricas en la posición de apagado (OFF), y luego enciéndalo (ON) para ponerlo en funcionamiento.
- Apague (OFF) las cargas eléctricas y desconéctelas del generador antes de interrumpir el generador.

NOTA:

Un trato inapropiado del generador podría dañarlo y acortarle la vida.

- Utilice el generador solo para usos intencionados.
- Si usted tiene dudas sobre el uso intencionado, pregunte al distribuidor o al centro de servicios locales.
- Haga funcionar el generador solo en superficies niveladas.
- **NO** esponga el generador a excesiva humedad, polvo, suciedad o vapores corrosivos.
- **NO** inserte objetos por las ranuras de refrigeración.
- Si los dispositivos conectados se calientan, apáguelos y desconéctelos del generador.
- Apague el generador si:
 - la potencia de salida eléctrica se ha perdido;
 - el equipo suelta chispas, humo o emite llamas;
 - la unidad vibra excesivamente.

⚠ ADVERTENCIA

Usos para soporte médico y vital.

- En caso de emergencia, llame inmediatamente al 911.
- **NUNCA** use este producto para aparatos de potencia para soporte vital o electrodomésticos de soporte vital.
- **NUNCA** use este producto para aparatos médicos de potencia o electrodomésticos médicos.
- Informe a su proveedor eléctrico inmediatamente si usted o alguien en su hogar depende de un equipo eléctrico para vivir.
- Informe a su proveedor eléctrico inmediatamente si una pérdida de potencia provocaría que usted o alguien en su hogar experimentase una emergencia médica.

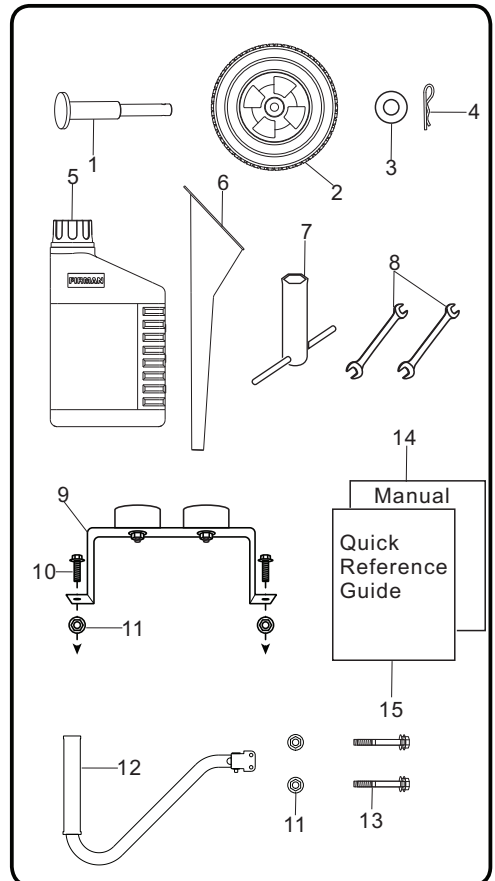
DESEMPAQUETAR EL GENERADOR

- Abra la caja y retire los materiales del embalaje.
- Retire de la caja el generador, las cajas de los accesorios, y el libro. Si falta algún material o está dañado, contacte con nuestro departamento de servicio de producto al 1-844-347-6261.

Piezas incluidas

Su generador de potencia de gasolina se envía con las siguientes piezas:

1. Sujetador del eje 2
2. Rueda de 10.0" pulgadas 2
3. Arandela plana 2
4. Chaveta 2
5. Aceite 1
6. Embudo del aceite 1
7. Llave inglesa para la bujía. 1
8. Llave en dos (10mm & 12mm). 2
9. Pata de apoyo con soportes de vibración . . 1
10. Tornillo para brida 2
(M8 x 16 para Pata de apoyo) 2
11. Contratuerca para brida (M8) 4
12. Manivela. 1
13. Tornillo para brida (M8x50 para manivela) . 2
14. Manual. 1
15. Guia de referencia rapida 1



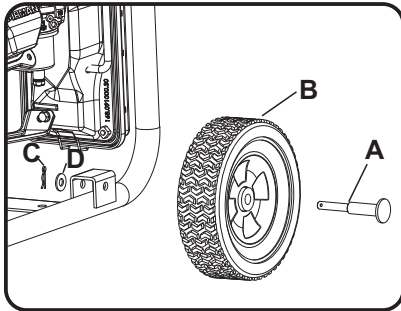
MONTAJE

El generador requiere un cierto montaje antes de su uso. Si surgiera algún problema durante el montaje del generador, llame al 1-844-347-6261.

Instalar el Equipo de Ruedas

PRECAUCIÓN

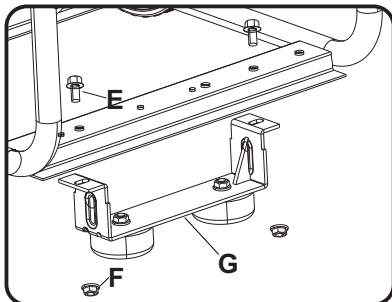
El equipo de ruedas no está previsto para un uso en carretera.



1. Antes de añadir las ruedas, gire el generador hacia un lado.
2. Deslice el sujetador del eje **A** a través de la rueda.
3. Deslice el sujetador del eje **A** a través del punto de montaje en el marco y la arandela **D**.
4. Asegure bien la rueda y el sujetador del eje con la chaveta **C**.
5. Repita los pasos 2-4 para adjuntar la otra rueda.

Instalar la Pata de Apoyo

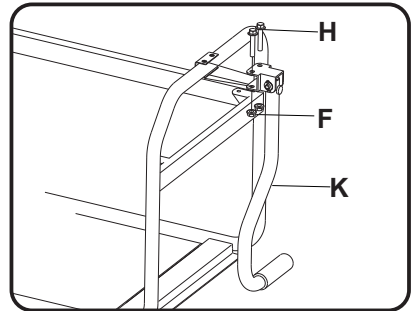
1. Adjunte la pata de apoyo **G** al marco del generador con los tornillos para brida **E** (M8x16) y las contratuercas para brida **F** (M8).
2. Incline lentamente el generador para que se apoye sobre las ruedas y sobre la pata de apoyo.
3. Ajuste el tornillo **E** y la tuerca **F** con las llaves facilitadas.



Instalar la Manivela

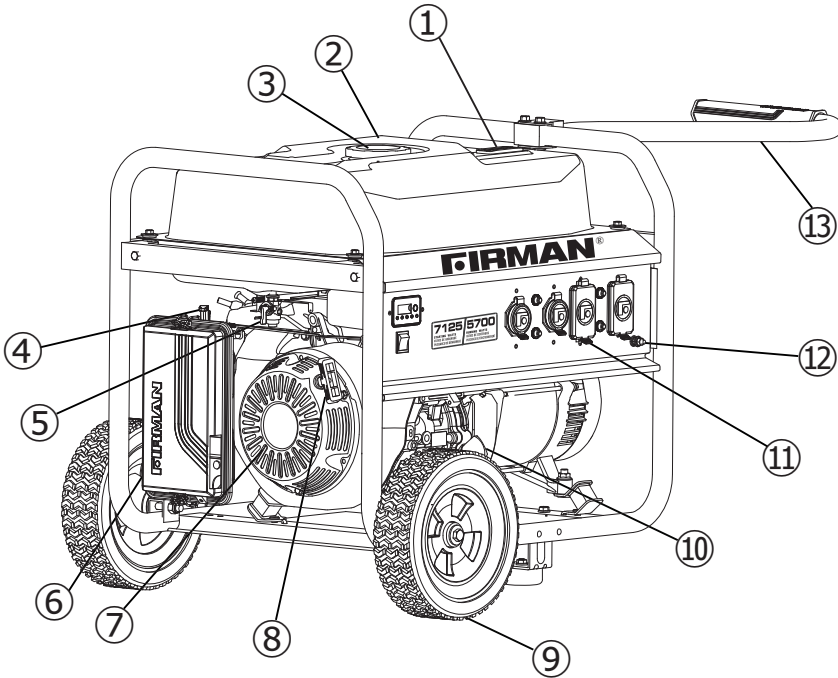
1. Coloque la manivela **K** encima del canal de montaje en el marco.
2. Asegure bien la manivela al marco con la ayuda de dos tornillos para brida para la manivela **H** (M8x50).
3. Coloque una tuerca para brida **F** (M8) en el extremo de cada tornillo y ajústelo con seguridad con las llaves facilitadas.

NO apriete demasiado las tuercas para brida.



CONTROLES Y CARACTERÍSTICAS

Generador

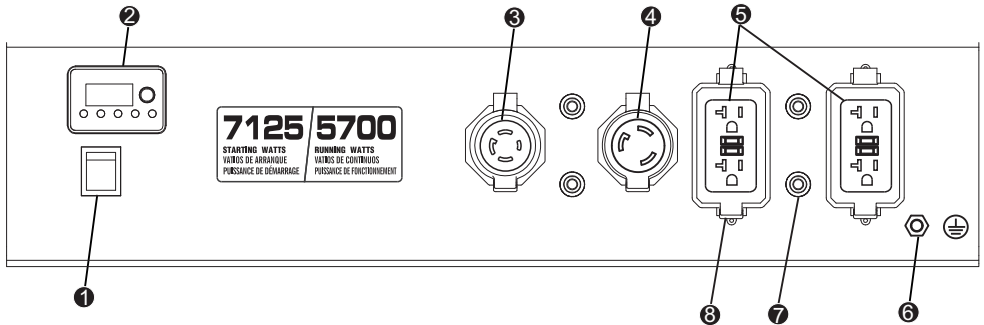


- 1-Medidor de combustible
- 2-Depósito de combustible con capacidad para 8.0galones
- 3-Tapón del combustible
- 4-Palanca del obturador
- 5-Válvula de combustible
- 6-Filtro de aire
- 7-Motor FIRMAN OHV 389cc
- 8-Interruptor de encendido de retroceso

- 9-Rueda libre y plana 10.0"
- 10-Tapón del depósito de aceite
- 11-Cubierta de salida
- 12-Panel de control
- 13-Manivela

*Estamos siempre trabajando para mejorar nuestros productos. Por lo tanto, los productos puede diferir ligeramente de la imagen en esta página.

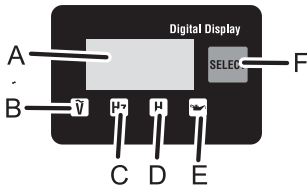
Control Panel



NOTA: La potencia total recogida desde todos los receptáculos no debe ser superior a la potencia de la placa de identificación.

- ❶ **Interruptor del motor** – Voltee el interruptor hacia la posición “ON” y estire el interruptor de encendido de retroceso para encender el generador. Voltee hacia la posición “OFF” para apagar el generador.
- ❷ **Medidor multi-monitor** – Pulse el botón SELECT para mostrar el Voltaje, los Hertz y las horas de funcionamiento. Si el indicador de bajo nivel de aceite está encendido, revise el nivel de aceite.
- ❸ **120V 20a GFCI Dúplex, Tipo Auto-test Versión** - (NEMA 5-20R) 20 Amps de corriente podrían recibirse en el receptáculo. Sin embargo, la potencia total debería mantenerse según la que se indica en la placa de identificación.

Ground Fault Circuit Interruptor cumple con UL 943 y NEC requisitos. Este dispositivo le protege contra descargas eléctricas peligrosas que pueden ser causados si su cuerpo se convierte en un camino a través del cual la electricidad viaja para llegar a tierra. Esto podría suceder cuando usted toca un aparato o el cable que está “vivo” a través del mecanismo defectuoso, aislamiento húmedo o desgastado, etc.



- A - Pantalla digital
- B - Indicador de tensión de CA
- C - Indicador de frecuencia
- D - Indicador horario
- E - Alerta de lubricante bajo
- F - Botón de selección

- ❹ **120/240V, 30A Twist-Lock** – (NEMA L14-30R) La corriente máxima de carga completa puede extraerse de este 120/240 voltios, 30 Amperios.
- ❺ **120V, 30A Cierre de Giro** (NEMA L5-30R) 30 Amperios de corriente se puede extraer de este 120 voltios receptáculo.
- ❻ **Terminal de tierra** – Consulte con un electricista acerca del reglamento sobre tomas de tierra locales.
- ❼ **Disyuntores** – Los receptáculos están protegidos por un protector de circuito de corriente alterna. Si el generador está sobrecargado o sucede un cortocircuito externo, el protector de circuito se activará. Si esto ocurre, desconecte todas las cargas eléctricas e intente determinar la causa del problema antes de intentar utilizar de nuevo el generador. Si la sobrecarga es la causante de que se active el protector de circuito, reduzca la carga.
Nota: Una activación continuada del protector de circuito podría causar daños al generador o al equipo. El protector de circuito puede ser reiniciado pulsando el botón del protector.
- ❽ **Cubierta de salida** – Proteja los receptáculos del polvo y de los escombros.

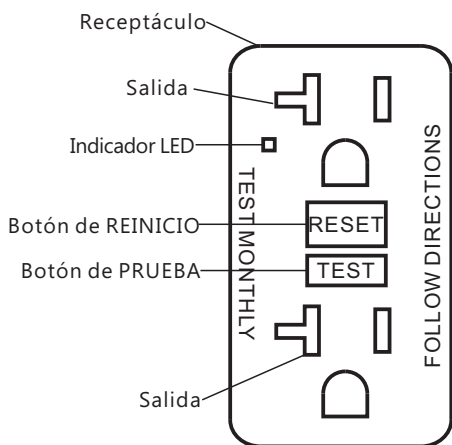
RECEPTÁCULO GFCI DE 120 VAC, 20 AMP

Esta unidad está equipada con un interruptor de circuito por falla de tierra (GFCI) Este dispositivo cumple los codigos locales, federales y estatales aplicables .

Un receptáculo GFCI es diferente a los receptáculos convencionales. En el caso de una falla de tierra, un GFCI se activará y detendrá rápidamente el flujo de electricidad para evitar danos serios.

Definición: En lugar de seguir su ruta normal segura, la electricidad pasa a través del cuerpo de las personas para llegar a tierra. Por ejemplo, un dispositivo defectuoso puede causar una falla de tierra.

Un receptáculo GFCI NO protege contra sobrecargas del circuito, cortocircuitos, o descargas. Por ejemplo, todavía puede ocurrir una descarga eléctrica si una persona toca cables cargados eléctricamente mientras está parado sobre una superficie no conductiva, como un piso de madera.



Probando el GFCI Pruebe la toma GFCI cada mes de la siguiente manera:

1. Enchufe una lámpara de prueba en el receptáculo.
2. Arranque el generador, la lámpara de prueba debe encenderse.
3. Presione el botón de "Test" ubicado al frente del receptáculo para activar el dispositivo.

4. Esto debe detener el flujo de electricidad haciendo que la lámpara se apague. La luz indicadora GFCI vienen apagado.

5. Para restaurar el flujo de electricidad, presione el botón "Reset" frente al receptáculo. Si el GFCI no se comporta de esta manera, no use el receptáculo. Contacte a algun concesionario de servicio local.

6. La toma está protegida contra sobrecargas por un interruptor de circuito de presionar para reiniciar de 20A. Use la toma para alimentar cargas eléctricas de 120 volts, monofásicas de 60 Ha que requieran hasta una potencia combinada de 2,400 vatios (2.4 Kw) o 20 amperios de corriente.

FUNCIONAMIENTO AUTO PRUEBA

Un receptáculo de autocomprobación GFCI tiene todas las características de un receptáculo GFCI convencional. En adición,este propio receptáculo pruebas periódicamente para confirmar la electrónica GFCI son funcionales. El estado Luz indicadora será verde cuando el GFCI es alimentado desde el lado de línea y funcionando correctamente.

Indicaciones Auto-Prueba: Si la luz de estado Indicador es Rojo o sólido naranja parpadeante puede existir un problema. oprima el botón TEST para desconectar el GFCI. Si no se puede restablecer,sustituir el GFCI.

SPECIFICATIONS

Modelo	P05701
Vatios de encendido	7125
Vatios en funcionamiento	5700
Voltaje de CA catalogado	120/240V
Frecuencia catalogada	60Hz
Fase	Fase única
Regulador de voltaje	AVR
Factor de potencia	1
Tipo de alternador	Con Cepillo
Motor	FIRMAN
Tipo de motor	Cilindro único, 4-tiempos OHV Enfriamiento por Aire
Cilindrada	389cc
Apagado por nivel de aceite bajo	Yes
Sistema de encendido	Tipo de Encendido sin Ruptor, Flywheel Magneto
Sistema de arranque	Por Retroceso
Fuel Combustible	Gasolina Automotora sin Plomo
Capacidad del depósito para combustible	8.0 Gallon
Capacidad del Aceite lubricante	37.2 oz(1.1L)
Tipo de carburador	Flotador
Filtro de aire	Tipo Poliuretano
Rotación de eje PTO (Toma de Fuerza)	Contar en el sentido de las agujas del reloj (frente a la Toma de Fuerza)
Tipo de aceite	Ver Sección "Añadir Aceite al Motor"
Bujía	TORCH F6RTC/NGK BPR6ES/CHAMPION RN9YC

MENSAJE IMPORTANTE SOBRE LA TEMPERATURA:

Su Equipo de Potencia Firman está diseñado y catalogado para operaciones continuadas a una temperatura ambiente hasta los 40°C (104°F). Cuando sea necesario, su producto podría operar a temperaturas entre los -15°C (5°F) y los 50°C (122°F) por períodos cortos. Si el producto se expone a temperaturas fuera de este alcance durante el almacenamiento, se debería volver a su alcance de temperatura antes de ponerlo en funcionamiento. En cualquier situación, el producto debe hacerse funcionar siempre en el exterior, en un área bien ventilada y lejos de puertas, ventanas y otros conductos de ventilación.

- Cuando se hace funcionar con temperaturas superiores a los 77°F (25°C) podría haber una disminución de la potencia.
- El vatiaje y la corriente máximas están sujetos a y limitados por factores tales como el combustible, contenido de BTU, temperatura ambiente, altitud, condiciones del motor, etc. La potencia máxima disminuirá alrededor de un 3,5% por cada 1000 pies sobre el nivel del mar; y también disminuirá alrededor de un 1% por cada 10°F (-12,2°C) sobre 60°F (16°) de temperatura ambiente.

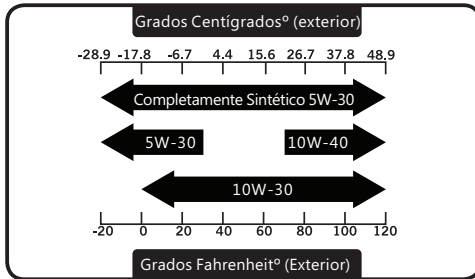
AÑDIR ACEITE AL MOTOR

⚠ PRECAUCIÓN

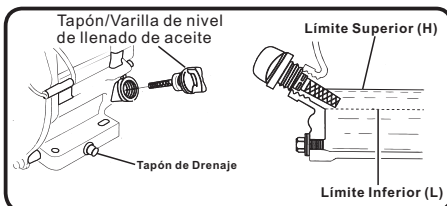
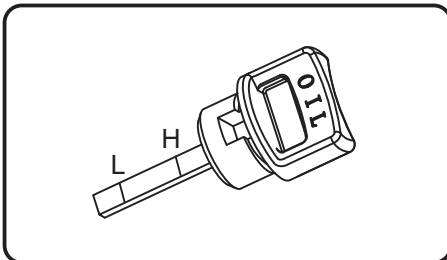
NO intente arrancar o encender el motor antes de que se haya llenado adecuadamente con el tipo y cantidad de aceite recomendados. Cualquier daño al generador como resultado de no haber seguido estas instrucciones invalidará su garantía.

NOTE:

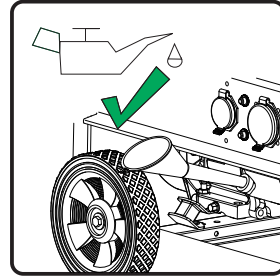
El tipo de aceite recomendado es el aceite automotor 10W-30. Sin embargo, la temperatura exterior determinará la viscosidad adecuada del aceite para el motor. Use la siguiente tabla para seleccionar el mejor para el alcance de temperatura exterior esperado.



1. Ponga el generador en una superficie llana y nivelada.
2. Limpie el área alrededor del llenado de aceite y retire el tapón/varilla de nivel de color amarillo de llenado de aceite.
3. Pásele un trapo a la varilla de nivel.



4. Con la ayuda de un embudo para aceite, vaya vertiendo el contenido de la botella de aceite proporcionada en la apertura de llenado de aceite hasta llegar a la marca "H" de la varilla de nivel. Tenga cuidado de no llenarlo demasiado. Llenarlo demasiado podría provocar que el motor no arranque o arranque con dificultades.



5. Vuelva a poner el tapón/varilla de nivel y asegúrelo completamente.
6. El nivel de aceite debería ser revisado antes de cada uso o al menos cada 8 horas de funcionamiento. Realice un buen mantenimiento del nivel de aceite.

⚠ PRECAUCIÓN

El motor está equipado con un sistema de apagado por bajo nivel de aceite, por lo tanto, se apagará cuando el nivel de aceite en el cárter descienda por debajo del umbral.

NOTA:

Consideramos que las 5 primeras horas de funcionamiento son el período de rodaje para la unidad. Durante el período de rodaje, mantenga el ratio de vatios durante el funcionamiento al 50% o por debajo, y cambie la carga ocasionalmente para permitir que las bobinas del estátor se calienten y se enfríen.

Apagado por Bajo Nivel de Aceite

Esta unidad está equipada con un sistema de apagado por bajo nivel de aceite. Si el nivel de aceite pasa a ser inferior al nivel requerido, el sensor activará un dispositivo de advertencia o parará el motor.

Si el generador se apaga y el nivel de aceite está dentro de las especificaciones, compruebe que el generador esté colocado en un ángulo que permita que el aceite se mueva. Colóquelo en una superficie uniforme para corregirlo. Si el motor no se enciende, podría ser que el nivel de aceite no sea suficiente para desactivar el interruptor del nivel bajo de aceite. Asegúrese de que el cárter está completamente lleno de aceite.

AÑADIR COMBUSTIBLE

El combustible debe cumplir con los siguientes requisitos:

- Gasolina limpia, nueva, y sin plomo.
- Utilice gasolina SIN PLOMO regular con el motor del generador con un mínimo de 87 octanos /87 AKI (91 RON). Para un uso a gran altitud, lea "Funcionamiento a gran altitud".
- **No** use gasolina con más de un 10% de alcohol como E85 o etanol.

NOTA: Evitar daños al generador.

No seguir o no seguir correctamente las recomendaciones para combustible del Manual del Operador invalidará la garantía.

- **NO** usar gasolina no aprobada, como la E85.
- **NO** mezclar aceite en la gasolina.
- **NO** modificar el motor para que funcione con combustibles alternados.

ADVERTENCIA



El combustible y su vapor son extremadamente inflamables y explosivos, y podrían provocar quemaduras, incendios o explosiones resultando en muerte, o heridas graves y/o daños en la propiedad.

AÑADIR COMBUSTIBLE

- Rellene el depósito de combustible en el exterior.

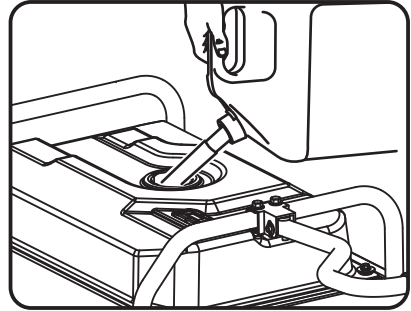


NO llene demasiado el depósito. Deje espacio para la expansión del combustible. Si el depósito está demasiado lleno, el combustible puede derramarse encima de un motor caliente y provocar un incendio o explosión. Limpie cualquier resto de combustible derramado inmediatamente.

- Si el combustible se derrama, espere hasta que se haya evaporado antes de encender el motor.
- Mantenga el combustible lejos de chispas, llamas abiertas, luces piloto, calor y otras fuentes de ignición.
- Revise frecuentemente las líneas, el depósito, el tapón y los accesorios del combustible y compruebe que no haya grietas o escapes. Reemplácelo si es necesario.



1. Limpie el área alrededor del tapón de llenado de combustible, retire el tapón.
2. Añada lentamente combustible sin plomo al depósito de combustible. Tenga cuidado de no llenar por encima del indicador de nivel de color rojo. Esto le permite adecuar el espacio para la expansión del combustible.
3. Ponga el tapón de combustible y espere a que cualquier resto de combustible derramado se evapore antes de arrancar el motor, o limpie cualquier resto de gasolina derramado.



PRECAUCIÓN

- Añada lentamente gasolina sin plomo al depósito de combustible.
- No llene demasiado el depósito.
- No llene el depósito por encima de la parte superior de la pantalla del combustible. Esto se expandirá cuando haga mucho calor y previene que se desborde.



Operation at High Altitude

A altitudes de más de 5000 pies (1524 metros), es aceptable gasolina de 85 octanos mínimo / 85 AKI (89 RON).

La densidad del aire a grandes altitudes es más baja que al nivel del mar. La potencia del motor se reduce a medida que la masa del aire y el índice aire-combustible disminuyen.

La potencia del motor y la salida del generador se reducirán aproximadamente un 3,5% por cada 1000 pies de elevación por encima del nivel del mar. Ésta es una tendencia natural que no puede modificarse ajustando el motor. A grandes altitudes las emisiones del tubo de escape aumentadas también pueden ocurrir a causa del enriquecimiento aumentado del índice de combustible en el aire.

Entre otros problemas causados por gran altitud también se pueden dar: dificultad en el arranque, aumento del consumo de combustible y ensuciamiento de la bujía. Para paliar problemas por la gran altitud, además de la pérdida de potencia natural, FIRMAN puede facilitar un reactor principal de carburador de gran altitud.

El reactor principal alternativo y las instrucciones de instalación se pueden obtener contactando con el Servicio al Cliente. Las instrucciones de instalación también están disponibles en el apartado del Boletín Técnico en la página web de FIRMAN. El número de la pieza y la altitud mínima recomendada para el uso del reactor principal de carburador de gran altitud lo encontrará en la tabla que hay a continuación.

	389cc	Altitud
Reactor principal de Altitud 1	357717002	3000-6000Pies
Reactor principal de Altitud 2	357717003	6000-8000Pies

ADVERTENCIA

Un funcionamiento usando el reactor principal alternativo a alturas inferiores a la altitud mínima recomendada podría dañar el motor. Para operaciones a alturas inferiores, se debe usar el reactor principal estándar. Hacer funcionar el motor con la configuración de motor errónea a una altitud dada, puede aumentar sus emisiones y disminuir el rendimiento y resultado del combustible.

Toma de Tierra

El Código Eléctrico Nacional requiere que su generador esté correctamente conectado a una toma de tierra adecuada para ayudar a prevenir una descarga eléctrica.

ADVERTENCIA



Un fallo en la toma de tierra del generador podría resultar en una descarga eléctrica.

En el panel de control se proporciona una terminal de toma de tierra conectada al marco del generador. Para una toma de tierra apartada, conecte la longitud de un cable de cobre de calibre grueso (mínimo 12 AWG) entre la terminal de toma de tierra del generador y una vara de cobre que conduzca a la tierra. Le recomendamos encarecidamente que consulte con un electricista calificado para garantizar el cumplimiento con los códigos eléctricos locales.

HAY UN CONDUCTOR PERMANENTE ENTRE EL GENERADOR (BOBINA DEL ESTÁTOR) Y EL MARCO.

Conectar al Sistema Eléctrico del Edificio

Las conexiones para la potencia de reserva al sistema eléctrico de un edificio deben ser realizadas por un electricista calificado. La conexión debe aislar la potencia del generador de la potencia de los servicios públicos o de otras fuentes de potencia alternativas, y debe cumplir con todas las leyes y códigos eléctricos aplicables.

ADVERTENCIA



El voltaje del generador podría causar descargas eléctricas o incendios resultando en muerte o heridas graves.

- Use un equipo de transferencia homologado, con tal de prevenir retroalimentación por separar el generador de los operarios eléctricos.
- Cuando utilice el generador como energía de reserva, notifíquelo a la empresa eléctrica.
- No usar un interruptor de circuito con falla a tierra (GFCI de las siglas en inglés) en ningún área húmeda o altamente conductora, como entablados de metal u obras de acero.
- NO tocar cables o receptáculos pelados.
- NO usar el generador con cables eléctricos que estén gastados, desgastados, pelados o dañados de algún modo.
- NO hacer funcionar el generador bajo la lluvia o con mucha humedad.
- NO manipular el generador o los cables eléctricos si está de pie encima del agua, con los pies descalzos o cuando las manos o los pies estén mojados.
- NO permita a personas no calificadas o a niños hacer funcionar o servir el generador.

FUNCIONAMIENTO

Ubicación del Generador

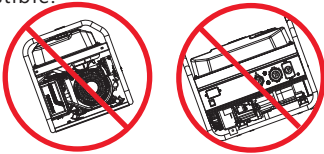
⚠ ADVERTENCIA

Asegúrese de repasar todas las advertencias para prevenir riesgo de incendio.

- Mantenga el área alejada de materiales inflamables u otros materiales peligrosos.
- Escoja un lugar seco, bien ventilado y protegido de la intemperie.
- Mantenga el tubo de escape alejado de objetos extraños.
- Mantenga el generador lejos de llamas abiertas.
- Mantenga el generador encima de una superficie estable y nivelada.

⚠ PRECAUCIÓN

Inclinarlo podría causar derramamiento de combustible.



- No bloquee el conducto de ventilación del generador con papel u otro material.

⚠ PELIGRO	
Utilizar un generador en el interior PUEDE MATARLE EN CUESTIÓN DE MINUTOS. El tubo de escape del generador contiene monóxido de carbono. Se trata de un gas tóxico que no se ve ni se huele.	
NUNCA lo use en el interior de una casa o de un garaje, INCLUSO SI las puertas o las ventanas están abiertas.	Utilizar solo en EL EXTERIOR y lejos de ventanas, puertas y conductos de ventilación.
Evitar otros peligros del generador. LEA EL MANUAL ANTES DE USAR.	

⚠ ADVERTENCIA

PELIGRO POR GAS TÓXICO



El tubo de escape del motor contiene monóxido de carbono, un gas tóxico que podría causarle la muerte en cuestión de minutos. NO PUEDE olerlo, verlo, o notarlo al gusto. Incluso si usted no huele gases de escape, podría estar expuesto al gas de monóxido de carbono de todas formas.

- Utilizar este producto **SOLO** en el exterior y lejos de ventanas, puertas y conductos de ventilación para reducir el riesgo de que el gas monóxido de carbono se acumule y sea conducido potencialmente hacia espacios ocupados.
- Instale alarmas de monóxido de carbono a batería o alarmas de monóxido de carbono con enchufe y con batería de seguridad según las instrucciones del fabricante. Las alarmas de humo no pueden detectar el gas de monóxido de carbono.
- NO haga funcionar este producto dentro de casas, garajes, sótanos, sótanos de poca altura, cobertizos u otros espacios parcialmente cerrados, aunque tenga ventiladores o puertas y ventanas abiertas para ventilar. El monóxido de carbono puede aumentar rápidamente en estos espacios y puede permanecer durante horas, incluso una vez apagado este producto.
- SIEMPRE coloque este producto en la dirección del viento y situando el tubo de escape del motor lejos de espacios ocupados. Si se empieza a encontrar mal, mareado o débil durante la utilización de este producto, apáguelo y salga a tomar aire fresco INMEDIATAMENTE. Visite a un médico. Usted podría haberse intoxicado por monóxido de carbono.

Protección contra Sobrecargas

⚠ PRECAUCIÓN

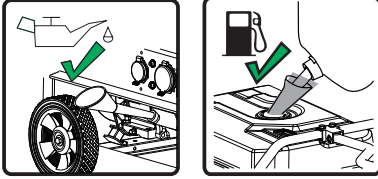
La fluctuación del voltaje podría perjudicar un correcto funcionamiento de equipos electrónicos sensibles.

Los dispositivos electrónicos, incluyendo ordenadores y muchos aparatos programables utilizan componentes que están diseñados para operar con un rango de voltaje reducido, y podrían verse afectados por fluctuaciones de voltaje momentáneas. Si no hay ningún método para prevenir fluctuaciones de voltaje, puede tomar medidas para proteger los equipos electrónicos sensibles.

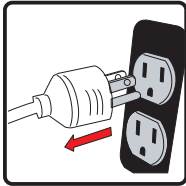
Instale supresores de sobrecarga UL 1449, listados por la CSA, para enchufar a las tomas de corriente de forma que alimenten su equipo sensible. Los supresores de sobrecarga vienen o bien en un formato único o de varias tomas de corriente. Están diseñados para proteger contra prácticamente todas las fluctuaciones de voltaje de duración corta.

Starting the Generator

1. Antes de arrancar el generador, compruebe que no haya partes sueltas, que falten o algún tipo de daño ocasionado durante el envío.
2. Compruebe el nivel de aceite y carburante.



3. Desconecte toda carga eléctrica del generador. Nunca arranque o pare el generador si hay dispositivos eléctricos enchufados o conectados.



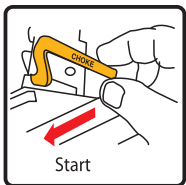
4. Ponga la válvula del carburante en posición "ON(I)".



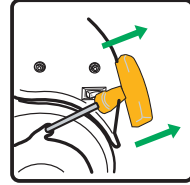
5. Gire el interruptor del motor hacia la posición "ON(I)".



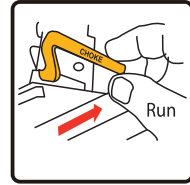
6. Mueva la palanca del estrangulador hacia la posición "START".



7. Tire lentamente de la cuerda de arranque hasta que note resistencia, luego tira rápidamente.



8. No lo sobre-estrangule. Tan pronto como arranque el motor y se caliente, mueva la palanca del estrangulador hacia la posición "RUN".



9. Deje que el generador funcione sin carga durante cinco minutos en cada arranque inicial para que el generador se estabilice.

⚠ ADVERTENCIA



El retroceso del cable de arranque (retracción rápida) estirará la mano y el brazo hacia el motor muy rápido y antes de que usted lo pueda soltar, lo cuál podría causar huesos rotos, fracturas, moratones o esguinces, resultando en heridas graves..

Cuando arranque el motor, tire lentamente de la cuerda hasta que note resistencia y luego tire rápidamente para evitar el retroceso.

NOTA:

Mantenga la palanca del estrangulador en posición "START" por sólo un tirón del arrancador de retroceso. Tras el primer tirón, mueva la palanca del estrangulador a la posición "RUN" para los 3 tirones siguientes del arrancador de retroceso. Estrangularlo demasiado lleva a un ensuciamiento de la bujía/inundación del motor debido a la falta de entrada de aire. Eso hará que no arranque el motor.

NOTA:

Si el motor arranca tras 3 tirones pero no llega a ponerse en marcha, o si la unidad se apaga durante el funcionamiento, asegúrese de que la unidad esté en una superficie plana y compruebe que el nivel de aceite sea correcto en la caja del cárter. Puede que esta unidad esté equipada con un dispositivo de protección en caso de nivel bajo de aceite. De ser así, el aceite debe estar al nivel adecuado para que arranque el motor.

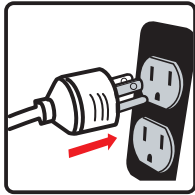
Conexión de Cargas Eléctricas

Esta unidad ha sido testada y ajustada para soportar su capacidad máxima. Antes de arrancar el generador, desconecte todas las cargas. Aplique las cargas sólo cuando el generador ya esté funcionando. El voltaje se regula mediante la velocidad del motor que se ajusta en fábrica para conseguir un rendimiento correcto. Los reajustes anulan la garantía.

⚠ PRECAUCIÓN

Cuando se aplique una carga, no exceda la potencia máxima del generador cuando use uno o más receptáculos. Asimismo, no exceda el emperaje de ninguno de los receptáculos. No aplique cargas eléctricas pesadas durante el período de rodaje inicial (las dos o tres primeras horas de operaciones).

1. Deje que el motor se estabilice y se caliente durante unos minutos tras el arranque.
2. Asegúrese de que el cortacircuitos en el panel de control está en posición "on".
3. Enchufe y encienda las cargas eléctricas deseadas de 120 y 240 voltios AC, fase única, 60Hz.

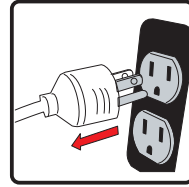


NOTA:

Conectar un generador al tendido de su empresa de electricidad o a otra fuente de energía puede estar en contra de la ley. Además esta acción, si no se hace correctamente, puede dañar su generador y aparatos y le podría provocar heridas graves o incluso la muerte a usted o a un usuario de la empresa que pueda estar trabajando cerca del tendido. Si planea utilizar un generador eléctrico durante un apagón, por favor notifíquelo a su empresa eléctrica inmediatamente y recuerde enchufar sus aparatos directamente al generador. No enchufe el generador a ninguna toma eléctrica en su casa. Eso podría crear una conexión al tendido de la empresa eléctrica. Es su responsabilidad asegurar que su generador eléctrico no se retroalimenta de las líneas eléctricas del servicio público. Si el generador estará conectado a un sistema eléctrico de un edificio, consulte a su compañía local de servicios públicos o a un electricista calificado. Las conexiones deben aislar la energía del generador de la energía de la red y deben cumplir con todas las leyes y códigos aplicables.

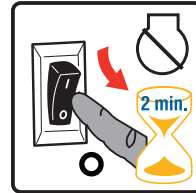
Parada del Motor

1. Retire las cargas eléctricas enteras. Nunca arranque o pare el generador si hay dispositivos eléctricos enchufados o conectados.



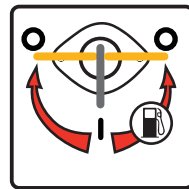
Deje que el generador funcione sin carga unos minutos para estabilizar las temperaturas internas del motor y el generador.

2. Mueva la válvula de carburante hacia la posición "OFF(O)".



Deje que funcione el motor hasta que la falta de combustible lo pare. Este proceso a menudo lleva unos minutos.

3. Pulse el interruptor del motor a la posición "OFF(O)".



Si se utiliza una cubierta, no la intale hasta que la unidad se haya enfriado.

⚠ ADVERTENCIA



El carburante y sus vapores son extremadamente inflamables y explosivos, lo cual podría ocasionar quemaduras, fuego o explosiones causando la muerte, heridas graves y/o daños en la propiedad.

NO pare el motor poniendo el control del estrangulador en posición "START"

Importante: Asegure siempre que la Válvula del Carburante y el Interruptor del Motor estén en posición "OFF" cuando el motor no esté en uso.

NOTA:

Si el motor no se utiliza durante un periodo de dos semanas o más, por favor vea la sección de Almacenamiento para un almacenamiento adecuado del motor y el carburante.

Desconexión por Nivel de Aceite Bajo

Si el nivel de aceite del motor baja del nivel preestablecido, un interruptor del aceite parará el motor. Compruebe el nivel del aceite con una varilla medidora.

Si el nivel de aceite está entre la marca de LOW y HIGH en la varilla medidora:

- 1.NO intente arrancar el motor.
- 2.Contacte con un Servicio Distribuidor autorizado de FIRMAN.
- 3.NO utilice el motor hasta que el nivel de aceite sea correcto.

Si el nivel de aceite está por debajo de la marca LOW en la varilla medidora:

- 1.Añada aceite hasta llegar al nivel de la marca HIGH.
- 2.Reinicie el motor y si el motor se para de nuevo puede que aún exista una condición de aceite bajo. NO intente arrancar el motor de nuevo.
- 3.Contacte con un servicio de Distribución autorizado FIRMAN.
- 4.NO utilice el motor hasta que el nivel de aceite sea correcto.

No Sobrecargue el Generador

Sobrecargar el generador por encima de su capacidad de potencia nominal puede causar daños en el generador y a los dispositivos eléctricos conectados.

Para prolongar la vida de su generador y los dispositivos conectados, siga estos pasos para añadir carga eléctrica:

1. Arranque el generador sin cargas eléctricas conectadas.
2. Permita que el motor funcione durante unos minutos para que se estabilice.
3. Enchufe y encienda el primer dispositivo. Es mejor conectar primero el dispositivo con la mayor carga.
4. Permita que se estabilice el motor.
5. Enchufe y encienda el siguiente dispositivo.
6. Permita que el motor se estabilice.
7. Repita los pasos 5-6 para cada dispositivo adicional.

MANTENIMIENTO Y ALMACENAMIENTO

PROGRAMA DE MANTENIMIENTO

ITEM	OBSERVACIONES	A diario (Antes de usar)	Primeras 25 horas	Cada 50 horas	Cada 100 horas (o anualmente)
Bujía	Comprobar el estado. Ajustar la separación y limpiar. Cambiar si es necesario.				✓
Aceite del motor	Comprobar el nivel de aceite.	✓			
	Reemplazar.		✓		✓
Filtro de aire	Limpiar, reemplazar si es necesario.			✓	
Filtro de Carburante	Limpiar el filtro de carburante y el colador del depósito de combustible.				✓
Línea de combustible	Comprobar que no haya grietas u otros daños en la manguera de carburante. Reemplazar si es necesario.	✓			
Sistema de escape	Comprobar que no haya fugas. Volver a ajustar o reemplazar la junta si es necesario.	✓			
	Revisar la rejilla del apagachispas. Limpiar/Reemplazar si es necesario.				✓
Carburador	Revisar el funcionamiento del estárter.	✓			
Sistema de arrancado	Comprobar el funcionamiento del arrancador de retroceso.	✓			
Accesorios /Cierres	Revisar. Reemplazar si es necesario.				✓

Recomendaciones Generales

Un mantenimiento regular mejorará el rendimiento y prolongará la vida del generador. Busque el servicio de cualquier distribuidor autorizado.

La garantía del generador no cubre las piezas que hayan sido sometidas a abuso o negligencia por parte del operador. Para recibir el valor total de la garantía, el operador debe mantener el generador como se indica en el manual.

Algunos ajustes deberán llevarse a cabo periódicamente para mantener su generador adecuadamente. Todo servicio y ajustes deberían llevarse a cabo por lo menos una vez por temporada. Siga los requisitos en el Programa de Mantenimiento del cuadro de arriba.

Aviso: Una vez al año debería limpiar o reemplazar la bujía y reemplazar el filtro de aire. Las bujías nuevas y los filtros de aire limpios aseguran una mezcla de carburante y aire adecuada y ayudan a su motor a funcionar mejor y más tiempo.

MANTENIMIENTO DEL MOTOR

Para evitar el arrancado accidental, quite y ponga en el suelo el cable de la bujía antes de realizar cualquier servicio.

Cambiar el Aceite del Motor

Cambie el aceite del motor cada 100 horas.

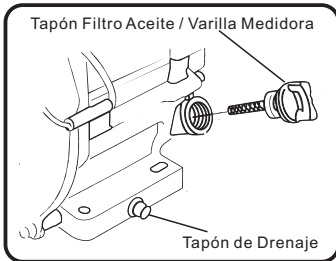
(para motores nuevos, cambie el aceite cada 25 horas.)

Si utiliza su generador bajo condiciones de suciedad o polvo extremo, o bajo calor extremo, cambie el aceite más a menudo.

⚠ PRECAUCIÓN

Evite el contacto prolongado o repetitivo con la piel con el aceite de motor.

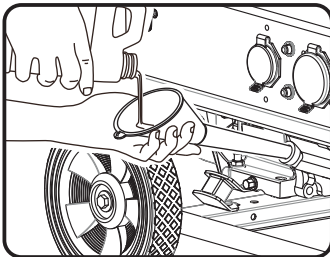
- Se ha comprobado que el aceite de motor usado causa cáncer en ciertos animales de laboratorio.
 - Lave bien las zonas expuestas con agua y jabón.
- (a) Vacíe el aceite quitando el tapón de drenaje y el tapón de llenado de aceite mientras el motor está caliente.



NOTA:

Por favor utilice un contenedor para vaciar el aceite usado para proteger el medio ambiente.

(b) Vuelva a instalar el tapón de drenaje y a llenar el motor con aceite hasta que alcance el nivel ALTO(H) del tapón del depósito de aceite.

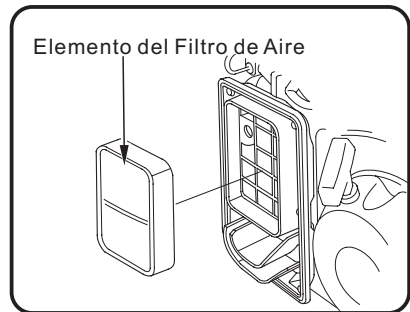
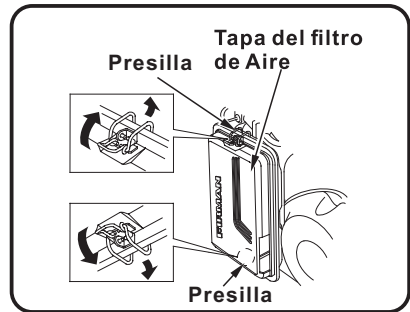


- Utilice lubricante nuevo y de alta calidad en la cantidad especificada.
- Si se utiliza aceite contaminado o deteriorado o si la cantidad del aceite del motor no es suficiente, el motor será dañado y se acortará su vida.

Mantenimiento del Filtro de Aire

Mantener el filtro de aire en condiciones adecuadas es muy importante. La suciedad inducida mediante instalación incorrecta, servicio incorrecto, o elementos inadecuados daña y desgasta los motores. Mantenga siempre los elementos limpios.

- (a) Saque el filtro de aire, límpielo bien con queroseno y séquelo.



- (b) Después de mojar el elemento con aceite de motor limpio, apriételo con fuerza con la mano.

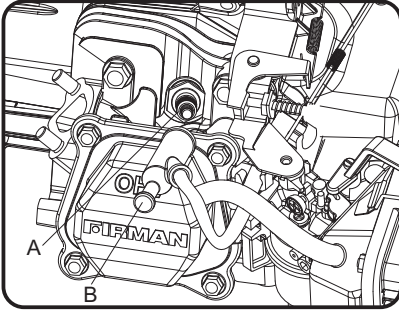


- (c) Finalmente, ponga el elemento en la caja y instálelo de forma segura.

Mantenimiento de La Bujía

Cambiar la bujía hará que su motor arranque con más facilidad y funcione mejor.

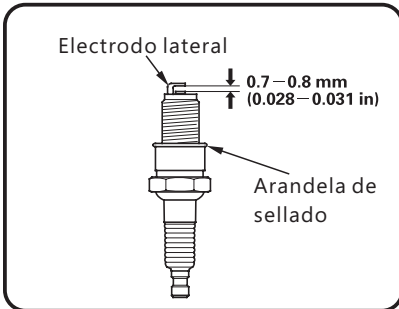
- Quite el tapón de la bujía.
- Quite el tapón de la bujía con la llave proporcionada.



A- Bujía

B- Tapón de la bujía

- Inspeccione la bujía en busca de daños y límpiela con un cepillo de alambre antes de reinstalarla.
- Ajuste la distancia entre electrodos a 0.7 a 0.8mm (0.028" a 0.031").
- Ponga la bujía en posición y enrosque a mano para prevenir el enroscado cruzado.
- Apriete el tapón con la llave proporcionada y ponga la tapa en la bujía.

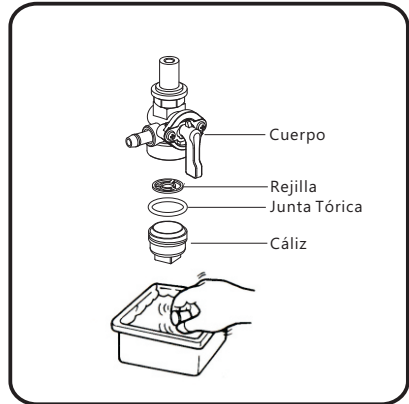


BUJÍA: TORCH F6RTC
NGK BPR6ES
CHAMPION RN9YC equivalente.

LIMPIEZA DEL FILTRO DE CARBURANTE

Suciedad y agua en el carburante se eliminan mediante el filtro de carburante.

- Quite el cáliz del filtro y tire el agua y la suciedad.
- Limpie las rejillas y el cáliz del carburante con gasolina.
- Ajuste bien el cáliz al cuerpo principal, asegurándose que se evita cualquier fuga de carburante.



Inspeccionar el Silenciador Y el Apagachispas

Inspeccione el silenciador en busca de grietas, corrosión u otros daños. Quite el apagachispas, si está instalado, e inspeccione en busca de daños u obstrucción de carbono. Si se necesitan piezas de repuesto, asegúrese de que sólo usa piezas de repuesto del equipamiento original.

⚠️ ADVERTENCIA



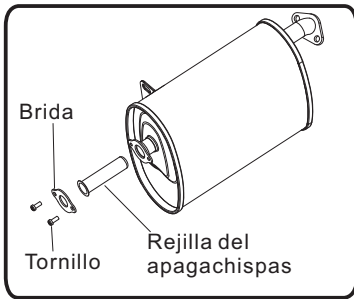
El calor y los gases de escape podrían encender materiales combustibles, estructuras o dañar el depósito de carburante provocando un incendio, causando la muerte o heridas graves y/o daños en la propiedad. El contacto con la zona del silenciador podría provocar quemaduras causando heridas graves.

- NO toque las parts calientes y EVITE los gases calientes de escape.
- Deje que el equipamiento se enfríe antes de tocarlo.
- Mantenga por lo menos 1.5m de espacio libre alrededor del generador incluyendo la parte de arriba.
- Los repuestos deben ser iguales e instalarse en la misma posición que las piezas originales.

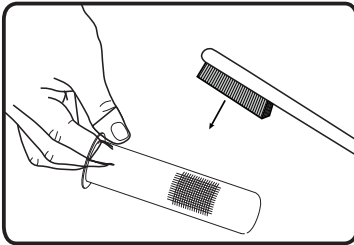
Limpiar o reemplazar el apagachispas de la siguiente manera:

Dependiendo del tipo de carburante utilizado, el tipo y cantidad de lubricante, y/o condiciones operativas, la pieza del tubo de escape y el silenciador pueden bloquearse con restos de carbón. Si nota una pérdida de energía, podría tener que quitar los restos para recuperar el rendimiento.

1. Deje que el motor se enfríe completamente antes de dar servicio al apagachispas.
2. Quite los tornillos fijando bien el apagachispas en su sitio y luego sáquelo del silenciador.



3. Retire cuidadosamente los restos de carbono de la rejilla del apagachispas con un cepillo de alambre.



4. Reemplace el apagachispas si está dañado.
5. Posicione el apagachispas en el silenciador y adjúntelo con los tornillos.

⚠ PRECAUCIÓN

Si no se limpia el apagachispas, el rendimiento del motor se degradará.

MANTENIMIENTO DEL GENERADOR

Asegúrese de que el generador se mantiene limpio y almacenado correctamente. Haga funcionar la unidad sólo en una superficie plana y nivelada en un ambiente operativo limpio y seco. **NO** exponga la unidad a condiciones extremas, polvo excesivo, suciedad, humedad o vapores corrosivos.

⚠ PRECAUCIÓN

NO utilice una manguera de jardín para limpiar el generador. El agua podría entrar en el generador a través de las ranuras de refrigeración y dañar las bobinas del generador.

Utilice un paño húmedo para limpiar las superficies exteriores del generador.

Use un cepillo de púas suaves para eliminar la suciedad y el aceite. Use un compresor de aire (25 PSI) para despejar la suciedad y los desechos del generador.

Revise todos los orificios y ranuras de refrigeración para asegurar que están limpias y despejadas.

SERVICIO Y ALMACENAMIENTO

SERVICIO INFRECUENTE

Si la unidad se utiliza de forma infrecuente, podría resultar en un encendido dificultoso. Para eliminar el encendido dificultoso, siga las siguientes instrucciones:

1. Encienda el generador al menos 30 minutos cada mes.
2. Encienda el generador, entonces apague la válvula de cierre de combustible y deje funcionar la unidad hasta que pare el motor.
3. Ponga el interruptor del motor en posición "OFF" (apagado).

ALMACENAMIENTO DE LARGO PLAZO

Cuando el conjunto del generador no ha sido utilizado o ha estado almacenado durante más de un mes, siga las siguientes instrucciones:

1. Rellene el aceite del motor hasta el nivel superior.
2. Ponga en marcha el generador, cierre la válvula de cierre de combustible y deje funcionar la unidad hasta que pare el motor.
3. Ponga el interruptor del motor en posición "OFF" (apagado).
4. Cuando la unidad se haya enfriado, vacíe la gasolina del depósito de combustible, de la línea del combustible y del carburador.
5. Vierta el contenido aproximado de una cucharita de café de aceite del motor a través del agujero de la bujía, y estire el interruptor de arranque de retroceso varias veces, y sustituya el interruptor. Entonces, estire el interruptor de arranque hasta que note que el pistón está en su tiempo de compresión, y déjelo en esta posición. Ésto cerrará las válvulas de entrada y de salida y previene que el cilindro interior se oxide.
6. Cubra la unidad y almacénela en un lugar limpio y seco, que esté bien ventilado y lejos de llamas abiertas o chispas.

NOTA:

Le recomendamos que utilice siempre un estabilizador de combustible. Un estabilizador de combustible minimizará la formulación de restos de goma de combustible durante el almacenamiento. El estabilizador de combustible se puede añadir a la gasolina en el depósito de

combustible, o bien a la gasolina dentro de un contenedor de almacenamiento.

NUNCA USE AGUA PARA LIMPIAR EL GENERADOR

- Estire la manivela de arranque hasta que note resistencia, y deje la manivela en esta posición.
- Almacene el generador en un área bien ventilada y con poca humedad.

ADVERTENCIA

El tubo de escape del generador contiene gas de monóxido de carbono inodoro e incoloro.

Para evitar encendidos accidentados o no intencionados de su generador durante períodos de almacenamiento, deberá seguir las siguientes instrucciones:

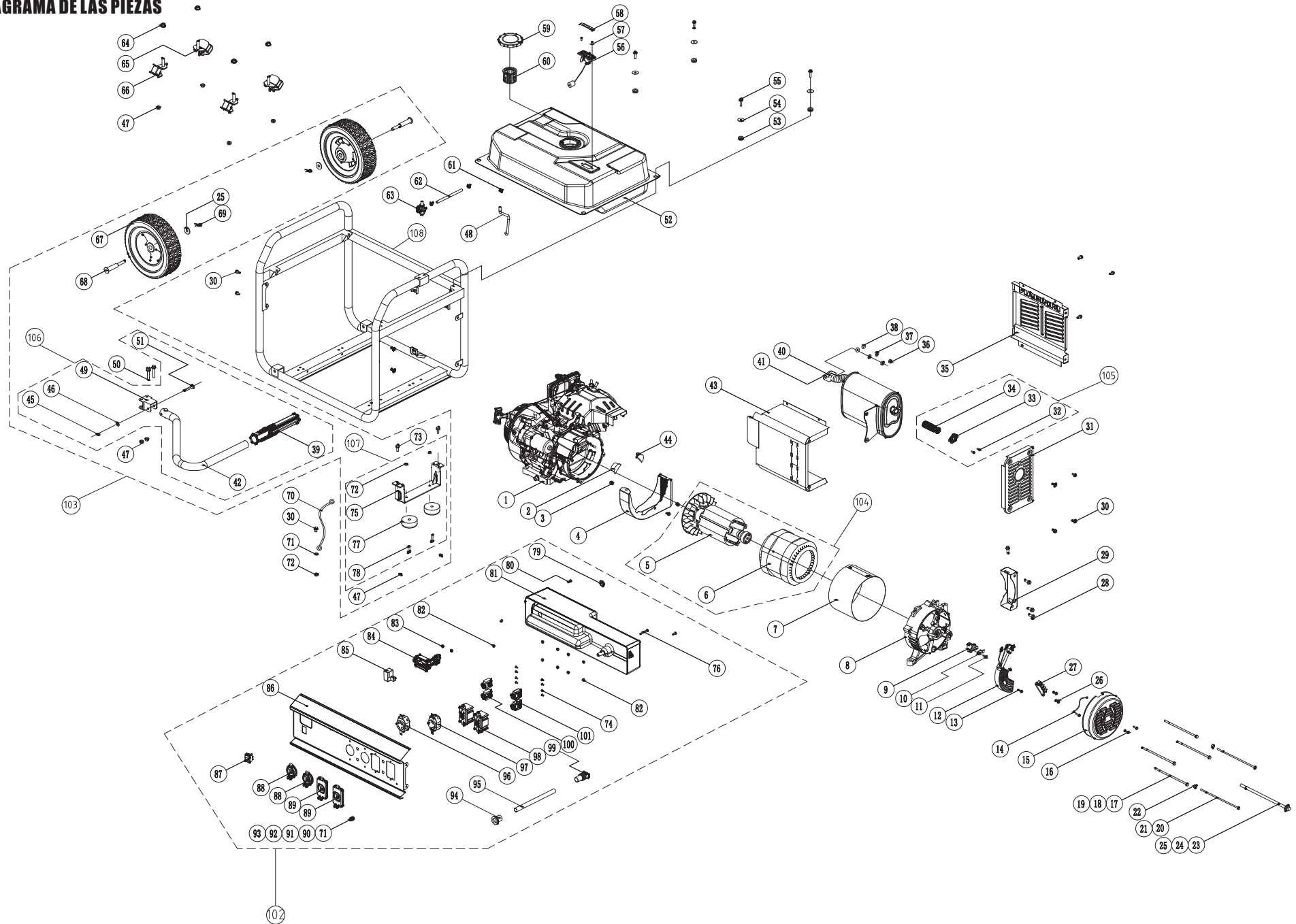
Durante el almacenamiento del generador para períodos de tiempo tanto cortos como prolongados, asegúrese de que el interruptor del motor y la válvula del combustible están en la posición OFF (apagado).

LOCALIZACIÓN Y RESOLUCIÓN DE PROBLEMAS

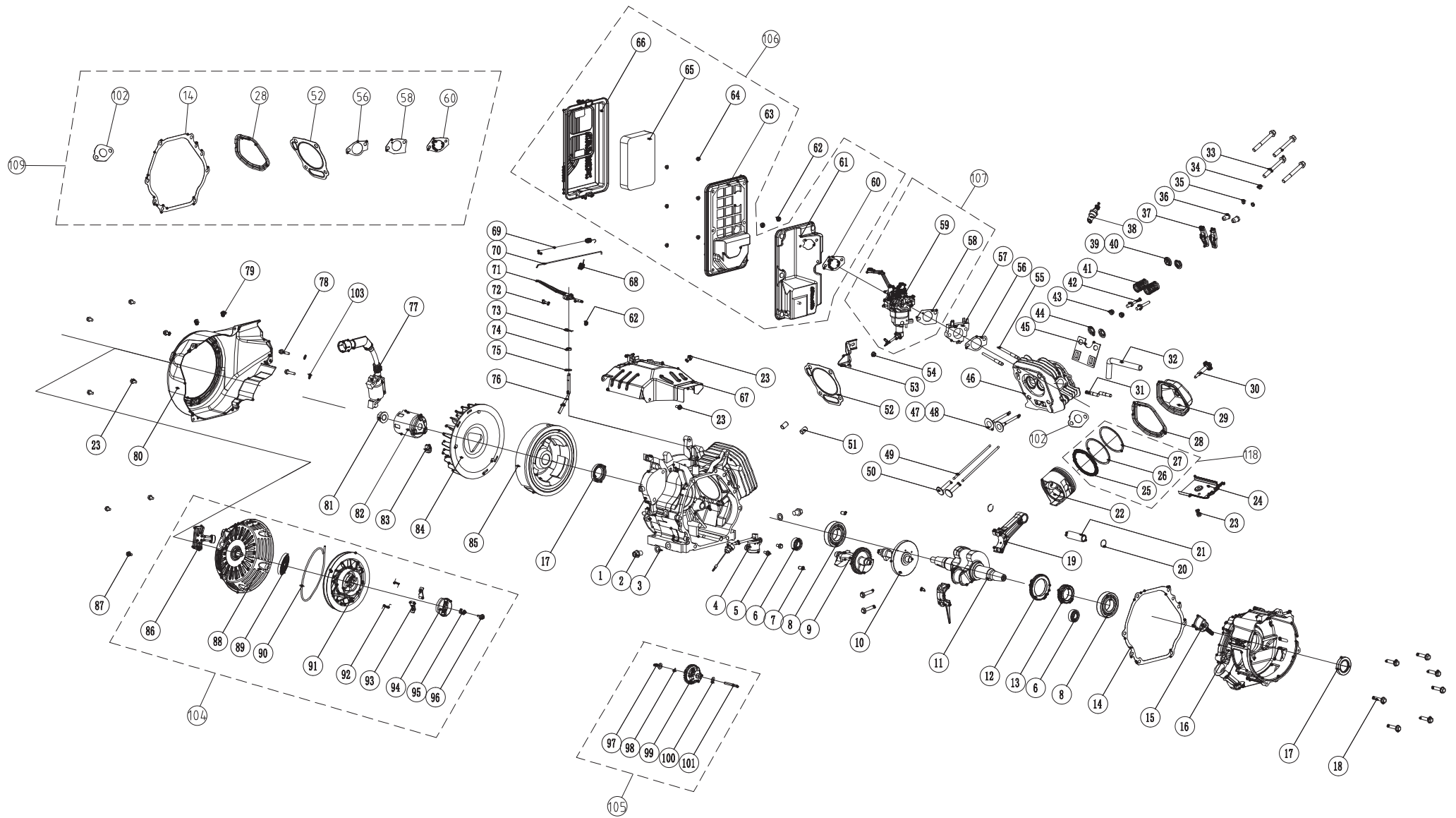
Problema	Motivo	Corrección
El motor funciona, pero no hay ninguna salida de CA disponible.	<ol style="list-style-type: none"> 1. El cortacircuitos está abierto. 2. Desperfecto en el generador. 3. Mala conexión o conjunto de cuerdas defectuoso. 4. El dispositivo está mal conectado. 	<ol style="list-style-type: none"> 1. Reinicie el cortacircuitos. 2. Contacte con instalación de servicio autorizado. 3. Revise y repare. 4. Conéctelo a otro dispositivo que esté en buenas condiciones.
El motor funciona bien sin carga pero funciona con dificultades cuando las cargas están conectadas.	<ol style="list-style-type: none"> 1. Cortocircuito en una carga conectada. 2. La velocidad del motor es demasiado lenta. 3. El generador está sobrecargado. 4. El circuito del generador se ha cortado. 5. El filtro del combustible está obstruido o sucio. 	<ol style="list-style-type: none"> 1. Desconecte la carga eléctrica cortada. 2. Contacte con servicio de instalación autorizado. 3. Lea el apartado "No sobrecargue el generador". 4. Contacte con instalación de servicio autorizado. 5. Limpie o reemplace el filtro de combustible.
El motor no se enciende; se enciende y funciona de forma irregular o se apaga cuando está en funcionamiento	<ol style="list-style-type: none"> 1.El interruptor del motor está en posición OFF (O). 2.La palanca de interrupción de combustible está en posición OFF (O). 3.Nivel bajo de aceite. 4.Filtro de aire sucio. 5.Sin combustible. 6.Combustible obsoleto. 7.El cable de la bujía no está conectado a la bujía. 8.Bujía en mal estado. 9.Agua en el combustible. 10.Inundado. 11.Mezcla de combustible demasiado abundante. 12.La válvula de entrada está atascada, abierta o cerrada. 13.El motor ha perdido compresión 14.Filtro obstruido o sucio. 	<ol style="list-style-type: none"> 1. Ponga el interruptor del motor en posición ON (I). 2. Ponga la palanca de interrupción de combustible en posición ON (I). 3. Llene el cárter hasta el nivel adecuado o ponga el generador en una superficie nivelada. 4. Limpie o reemplace el filtro de aire. 5. Llene el depósito de combustible. 6. Vacíe el depósito del combustible y el carburador; llénelo con combustible nuevo. 7. Conecte el cable a la bujía. 8. Reemplace la bujía. 9. Vacíe el depósito del gas y carburador; llénelo con combustible limpio. 10. Espere 5 minutos y vuelva a darle a la manivela del motor. 11. Contacte con instalación de servicio autorizado. 12. Contacte con instalación de servicio autorizado 13. Contacte con instalación de servicio autorizado 14. Limpie o reemplace el filtro de combustible.
El motor tiene poca potencia.	<ol style="list-style-type: none"> 1. La carga es demasiado alta. 2. El filtro de aire está sucio 3. El filtro de combustible está obstruido o sucio. 4. El parachispas está obstruido. 	<ol style="list-style-type: none"> 1. No sobrecargue el generador. 2. Cambie el filtro de aire. 3. Limpie o cambie el filtro de combustible. 4. Limpie o cambie el parachispas.
El motor "se mueve" o se tambalea.	<ol style="list-style-type: none"> 1. El carburador está funcionando con demasiada abundancia o demasiado poca. 2. El filtro del combustible está obstruido o sucio. 	<ol style="list-style-type: none"> 1. Contacte con instalación de servicio autorizado. 2. Limpie o cambie el filtro de combustible.
El motor se apaga cuando está en funcionamiento.	<ol style="list-style-type: none"> 1. Sin combustible. 2. El filtro de aire está sucio. 3. Nivel de aceite bajo. 	<ol style="list-style-type: none"> 1. Llene el depósito de combustible 2. Limpie o cambie el filtro de aire Llene el cárter hasta el nivel adecuado o ponga el generador en una superficie nivelada

DIAGRAMA DE LAS PIEZAS Y LISTA DE PIEZAS

P5701 DIAGRAMA DE LAS PIEZAS



FIRMAN 389cc Motor DIAGRAMA DE LAS PIEZAS



PO5701 LISTA DE PIEZAS

NO.	Part Number	Description	Qty.
1	357713500	FIRMAN 389cc Engine	1
2	357713501	Enchufe De La Cubierta Frontal Del Motor	1
3	336713528	Tornillo M6x8	3
4	357713502	Escudo De Viento Generador	1
5	357713503	Montaje Del Rotor	1
6	357713504	Montaje Del Estátor	1
7	357713505	Lámina De Hierro Externa	1
8	357713506	Cubierta Trasera Del Motor	1
9	357713507	Montaje De Cepillo De Carbono	1
10	336713525	Placa A Presión De Cepillo De Carbono	1
11	357713563	Ensamblaje De Tornillos Y Arandelas Hexagonales M5x16	1
12	357713508	AVR	1
13	336713519	Tornillo M5x16	2
14	336713522	Cable A Tierra	1
15	357713509	Tapa De La Cubierta Trasera Del Motor	1
16	336713507	Tornillo M5x12	3
17	336713511	Tornillo M6x179	4
18	336713512	Arandela De Muelle Estándar Ø6	4
19	336713513	Arandela Plana Ø6	4
20	336713577	Tuerca De Cabeza Hexagonal De Tipo 2, M5	2
21	357713510	Tornillo M5 × 214	2
22	357713511	Arandela De Muelle Estándar Ø5	2
23	357713512	Tornillo M10x265	1
24	357713513	Arandela De Muelle Estándar Ø10	2
25	357713514	Arandela Grande Ø10	3
26	336713520	M5x16	2
27	336713523	Terminal De Cableado	1
28	336713531	Tornillo M8x20	4
29	357713515	Soporte, Silenciador	1
30	336713515	Tornillo M6x12	12
31	357713516	Protector, Silenciador., Lateral	1
32	336713538	M5x14	2
33	357713517	Placa A Presión Del Extintor De Chispas	1
34	336713536	Extintor De Chispas	1
35	357713518	Protector, Silenciador., frente	1
36	336713534	Tuerca M8	2
37	336713509	Arandela De Muelle Estándar Ø8	2
38	336713533	Arandela Pequeña Ø8	2
39	357713519	Cubierta De La Manivela	1
40	357713520	Junta Del Tubo De Escape	1
41	357713521	Ensamblaje Del Silenciador	1
42	357713522	Manivela	1
43	357713523	Protector, Silenciador., Frente	1
44	357713524	Enchufe De La Cubierta Frontal Del Motor	1
45	336713590	Clavija Elástica	1
46	336713591	Arandela (ø8.2×ø17×0.8)	1
47	336713558	Tuerca M8	8
48	357713525	Manguera	1
49	357713526	Soporte De La Manivela	1
50	357713527	Tornillo M8x50	2
51	336713594	Clavija De La Manivela	1
52	357713528	Ensamblaje Del Depósito De Combustible	1
53	336713542	Amortiguador Del Depósito De Combustible	4
54	336713543	Junta Del Anillo Amortiguador Del Depósito De Combustible	4

NO.	Part Number	Description	Qty.
55	336713544	Tornillos M6x20	4
56	357713529	Monitor Del Nivel De Aceite	1
57	336713546	Tornillo M5x10	2
58	336713547	Panel De Visualización Del Nivel De Combustible	1
59	336713549	Montaje Del Tapón Del Depósito De Combustible	1
60	336713548	Montaje De La Red Del Filtro De Combustible	1
61	336713540	Abrazadera Ø8×6	3
62	357713530	Manguera De Combustible	1
63	336713551	Montaje De La Válvula De Entrada Y Salida Del Combustible	1
64	357713531	Tuerca M10	4
65	357713532	Montaje De Amortiguador De Impactos II	2
66	357713533	Montaje De Amortiguador De Impactos I	2
67	357713534	Rueda	2
68	357713535	Montaje Del Eje	2
69	357713536	Clavija De Cierre	2
70	336713514	Cable A Tierra	1
71	336713516	Arandela Dentada Externa Ø6	1
72	336713517	Tuerca M6	3
73	336713559	Tornillo Hexagonal M8x16	2
74	336713569	M4x8	8
75	357713538	Pata De Soporte	1
76	336713589	M5x38	1
77	336713557	Montaje De Soporte De Goma	2
78	336713561	Tornillo Hexagonal M6x25	2
79	336713564	Tubo De Goma Para La Manguera De Ventilación	1
80	336713565	Tornillos M5x14	2
81	357713539	Cubierta Trasera Del Panel De Control	1
82	336713568	Tuerca De Cabeza Hexagonal De Bloqueo M4	9
83	336713567	Tuerca De Cabeza Hexagonal De Bloqueo M3	2
84	336713570	Multi Metro	1
85	336713620	Módulo	1
86	357713540	Montaje Del Panel De Control	1
87	357713572	Interrupor Del Motor	1
88	336713573	Cubierta Hermética L5-30r	2
89	357713541	Cubierta Hermética Gfci	2
90	357713542	Perno M6 × 22	1
91	357713543	Tuerca De Cabeza Hexagonal De Tipo 2, M6	2
92	336713512	Arandela De Muelle Estándar Ø6	2
93	357713544	Arandela Pequeña Ø6	2
94	357713545	Enchufe	1
95	357713546	Tubria De Ajuste	1
96	336713601	Toma De Corriente L14-30R	1
97	336713583	Toma De Corriente L5-30R	1
98	357713547	Toma De Corriente GFCl	2
99	357713548	Enchufe	1
100	336713586	Disyuntor 30A	2
101	336713585	Disyuntor 20A	2
102	357413500	Montaje Del Panel De Control	1
103	357413501	Paquete De Accesorios	1
104	357413502	Set Del Rótor Y Estátor	1
105	357413503	Montaje De La Red De Extinción	1
106	357413505	Conjunto De Empuñadura	1
107	357413506	Conjunto De Pata De Apoyo	1
108	357713561	Cuadro	

FIRMAN 389cc Motor LISTA DE PIEZAS

NO.	Part Number	Description	Qty.
1	357723587	Caja Del Cigüeñal	1
2	357723501	Tornillo Para Drenaje De Aceite	2
3	357723502	Arandela De Tornillo Para Drenaje De Aceite	2
4	357723503	Sensor Del Nivel De Aceite	1
5	357723504	Tornillos M6×15	2
6	357723505	Soportes	2
7	336723501	Clavijas De Posicionamiento Ø9×14	2
8	357723506	Soportes	2
9	357723507	Balance Del Eje	1
10	357723508	Montaje Del Árbol De Levas	1
11	357723509	Cigüeñal	1
12	357723510	Engranaje, Cigüeñal	1
13	357723511	Engranaje De Sincronización	1
14	357723512	Junta Del Cártér	1
15	357723513	Ensamblaje De La Varilla De Medición De Aceite	1
16	357723514	Tapa Del Cártér	1
17	357723515	Sello Del Aceite 35×52×8	2
18	357723516	Tornillos M8x40	7
19	357723517	Montaje De La Varilla	1
20	357723518	Aro De Pistón De Retención De La Clavija	2
21	357723519	Clavija De Pistón	1
22	357723520	Pistón	1
23	336723503	Tornillos M6x12	7
24	357723521	Tapa Del Aire De Bajo Diferencial	1
25	357723522	Aro De Aceite	1
26	357723523	Aro De Pistón Del Segundo Canal	1
27	357723524	Aro De Pistón Del Primer Canal	1
28	357723525	Junta De La Válvula De La Culata	1
29	357723526	Ensamblaje De La Válvula Del Cilindro	1
30	357723527	Tornillo	1
31	357723528	Perno De Tornillo De La Válvula De Escape	2
32	357723529	Manguera De Ventilación	1
33	357723530	Tornillos M10x80	4
34	357723531	Tapa De La Válvula De Escape	1
35	336723528	Contratuercas	2
36	336723529	Tuerca De Ajuste	2
37	357723532	Balancín De Válvula	2
38	336723556	Bujía	1
39	357723533	Base De La Válvula De Entrada De Aire	1
40	357723534	Base De La Válvula De Escape	1
41	357723535	Muelle De La Válvula	2
42	336723537	Tornillo Del Eje Del Balancín	2
43	357723536	Sello Del Aceite De La Válvula	2
44	357723537	Retenedor, Válvula	2
45	357723538	Placa Guía De La Barra De Presión	1
46	357723539	Montaje De La Culata	1
47	357723540	Válvula De Entrada De Aire	1
48	357723541	Válvula De Escape De Aire	1
49	357723542	Barra De Presión	2
50	357723543	Cruceta De Válvula	2
51	357723544	Clavijas De Posicionamiento Ø12×20	2
52	357723545	Material Acolchado De La Culata	1
53	357723546	Filtro De Aire Titular	1
54	357723547	Tuercas M6	1
55	357723548	Perno De Tornillo De La Entrada De Aire	2
56	357723549	Junta De La Base De Aislamiento Térmico	1

NO.	Part Number	Description	Qty.
57	357723550	Base De Aislamiento Térmico Del Carburador	1
58	357723551	Junta Del Carburador	1
59	357723588	Carburador	1
60	357723554	Junta Del Filtro De Aire	1
61	357723555	Montaje De La Base Del Filtro De Aire	1
62	336723555	Tuercas M6	3
63	357723556	Tablilla	1
64	357723557	Tuercas M5	6
65	357723558	Elemento De Filtro	1
66	357723559	Tapa Del Filtro De Aire	1
67	357723560	Guía De Viento, Top	1
68	357723561	Muelle Regulador	1
69	357723562	Resorte Regulador	1
70	357723563	Palanca Reguladora	1
71	357723564	Brazo De Regulación	1
72	336723567	Perno De Regulación	1
73	357723565	Clavija Elástica	1
74	357723566	Sello Del Aceite 6×14×5	1
75	336723564	Junta Del Balancín	1
76	357723567	Balancín	1
77	357723568	Conjunto De Ignición	1
78	357723569	Tornillos M6x29	2
79	336723606	Abrazadera (188 Φ6)	2
80	357723570	Montaje De La Cubierta Del Ventilador	1
81	357723571	Tuerca M16 × 1.5	1
82	357723572	Polea De Inicio	1
83	336723612	Set De Cubiertas	1
84	357723573	Ventilador De Refrigeración	1
85	357723589	Montaje Del Volante	1
86	357723577	Manivela	1
87	357723578	Tornillos M6x8	3
88	357723579	Montaje De La Cubierta De Encendido	1
89	357723580	Muelle De Retorno	1
90	357723581	Cordón	1
91	357723582	Placa Del Cordón	1
92	336723589	Muelle De Ajuste	2
93	336723590	Rueda Dentada	2
94	336723591	Placa A Presión	1
95	336723592	Muelle De La Placa A Presión	1
96	336723593	Tornillos De La Placa A Presión	1
97	357723584	Set De Ejes De Engranaje Regulador	1
98	336723597	Muelle De Clavija Del Eje Del Engranaje Regulador	1
99	357723585	Montaje Del Engranaje Regulador	1
100	336723595	Empaque Interior Del Engranaje Regulador	1
101	357723586	Eje Del Engranaje Regulador	1
102	357713520	Junta Del Tubo De Escape	1
103	336723615	Arandela De Muelle Estándar Ø6	2
104	357423500	Equipo De Montaje Del Inicio Por Tracción,	1
105	357423501	Montaje Del Regulador	1
106	357423502	Montaje Del Filtro De Aire	1
107	357423503	Montaje Del Carburador	1
108	357423504	Ensamblaje De Aros De Pistón	1
109	357423507	Ensamblaje De La Placa De Apoyo	1

INFORMACIÓN DE SERVICIO

**CONTACTE CON
EL DEPARTAMENTO
DE SERVICIO DE PRODUCTO
DE FIRMAN EN
1-844-347-6261**

o en www.firmangenerators.com
para obtener información sobre
el servicio de garantía o para
pedir piezas de repuesto
o accesorios.

CÓMO PEDIR PIEZAS DE REPUESTO

Incluso equipamiento de calidad como el generador eléctrico que acaba de adquirir puede necesitar piezas de repuesto ocasionalmente, para mantenerlo en buenas condiciones a lo largo de los años. Para pedir piezas de repuesto, por favor proporcione la siguiente información:

1. Modelo No. , Rev. Nivel y No. de Serie y todas las especificaciones que aparecen en la placa del No. de Modelo/ No. de Serie.
2. El Número o números de las piezas en la sección Lista de piezas.
3. Una breve descripción de la problemática con el generador.

REGISTRE SU PRODUCTO

Registre online su generador Firman en
www.firmangenerators.com

GARANTÍA

Garantía Limitada de Tres (3) Años FIRMAN

Calificaciones de Garantía

El GENERADOR FIRMAN registrará la garantía cuando reciba su Carta de Registro de Garantía y una copia de su recibo de compra de uno de los puntos de venta FIRMAN como comprobante de compra. Envíe su registro de garantía y el comprobante de compra en un plazo de diez (10) días tras la fecha de compra.

Garantía de Reparación/Repuesto

FIRMAN garantiza al comprador original que los componentes mecánicos y eléctricos estarán libres de defectos en los materiales y fabricación durante el periodo de un (1) año (piezas y mano de obra) y tres (3) años (piezas) desde la fecha original de compra 90 días [piezas y mano de obra] y 180 días [piezas] para uso comercial & industrial. Los gastos de transporte de productos presentados para su reparación o repuesto bajo esta garantía son responsabilidad exclusiva del comprador. Esta garantía sólo se aplica al comprador original y no es transferible.

No Devuelva la Unidad al Lugar de Compra

Póngase en contacto con el Centro de Servicio FIRMAN y FIRMAN diagnosticará cualquier problema por teléfono o correo electrónico.

Si con este método no se soluciona el problema, FIRMAN podrá, a su elección, autorizar la evaluación, reparación o repuesto de la pieza o componente defectuosos en un Centro de Servicio FIRMAN. FIRMAN le proporcionará un número de caso para el servicio de garantía. Por favor, consérvelo para consultarlo en el futuro. Las reparaciones o repuestos sin autorización previa, o en un centro de reparación no autorizado, no serán cubiertos por esta garantía.

Exclusiones de La Garantía

Esta garantía no cubre las reparaciones y equipos siguientes:

Desgaste Normal

Su producto necesita periódicamente repuestos y servicio para un buen desempeño. Esta garantía no cubre la reparación cuando el uso normal haya agotado la vida útil de una parte o del equipo en su conjunto.

Instalación, Uso y Mantenimiento

Esta garantía no se aplicará a las partes y / o mano de obra si su producto se considera que ha sido mal utilizado, descuidado, involucrado en un accidente, abusado, cargado más allá de los límites del generador, modificado, instalado incorrectamente o mal conectado a cualquier componente eléctrico. El mantenimiento normal no está cubierto por esta garantía.

Otras Exclusiones

Esta garantía excluye:

- Defectos cosméticos como la pintura, etiquetas, etc.,
- Desgaste de objetos
- Piezas accesorias,
- Fallos debido a hechos fortuitos y a otros acontecimientos de fuerza mayor que escapan al control del fabricante,
- Problemas causados por piezas que no son originales de FIRMAN.

Límites de La Garantía Implícita y Daños Consecuentes

FIRMAN se exime de cualquier obligación de cubrir toda pérdida de tiempo, el uso de este producto, flete, o cualquier reclamo incidental o consecuente por parte de cualquier usuario de este producto. ESTA GARANTÍA TOMA EL LUGAR DE CUALQUIER OTRA GARANTÍA, EXPRESA O IMPLÍCITA, INCLUYENDO LAS GARANTÍAS DE COMERCIALIZACIÓN O IDONEIDAD PARA UN PROPÓSITO PARTICULAR.

Una unidad proporcionada como un intercambio estará sujeta a la garantía de la unidad original. La longitud de la garantía de la unidad de intercambio se seguirá calculando en función de la fecha de compra de la unidad original.

Esta garantía le otorga ciertos derechos legales que pueden variar de estado a estado. Su estado puede que también tenga otros derechos a los que pueda acogerse y que no se mencionan en esta garantía.

Información de Contacto

Puede contactar FIRMAN en:

Dirección

Firman Power Equipment
Attn: Customer Service
14131 N Rio Vista Blvd Suite 9
Peoria, AZ 85381
www.firmangenerators.com

Somos FIRMAN el poder - y estamos aquí para usted.
Oficina de servicio al cliente - 1-844-347-6261 (844-firman1)
6 AM PST (9am est) hasta las 8pm EST (5PM PST)
Servicio tecnico escritorio - 1-844-347-6261 (844-firman1)
6 AM PST (9am est) hasta las 8pm EST (5PM PST)
24 / 7 Tech Support - 1-844-347-6261 (844-firman1)

FIRMAN POWER EQUIPMENT INC.

Garantía Del Sistema De Control De Emisiones

DECLARACIÓN DE GARANTÍA FEDERAL Y CALIFORNIANA SOBRE EL CONTROL DE EMISIONES DE ESCAPE Y EVAPORACIÓN MOTORES DE GASOLINA

SUS DERECHOS Y OBLIGACIONES DE GARANTÍA

La Junta de Recursos del Aire de California, Agencia de Protección Ambiental de EE.UU. ("US EPA") y FIRMAN POWER EQUIPMENT INC.(FIRMAN) se complacen en explicar la garantía del sistema de control de emisiones por evaporación y escape en el 2016-2017 o el posterior Motor Off-Road pequeño ("SORE") y el motor del equipo accionado según corresponda. En California y los EE.UU., SORE y los equipos accionados por motor deben fabricarse y equiparse para cumplir con California según corresponda. En California y EE.UU., SORE y los equipos accionados por motor deben diseñarse, fabricarse y equiparse para cumplir con los altos estándares anti-contaminación de California y EPA Estados Unidos. FIRMAN debe garantizar el sistema de control de emisiones a su SORE y equipo accionado por motor durante el periodo listado abajo siempre que no haya habido abuso, negligencia o mantenimiento inapropiado con su SORE o equipo accionado por motor. Su sistema de control de emisiones de escape pueden incluir piezas como carburadores, sistemas de inyección de combustible, el sistema de encendido, y los convertidores catalíticos. También puede incluir un sistema de control de emisiones por evaporación que puede incluir depósitos de combustible, líneas de combustible, las tapas de combustible, válvulas, latas, filtros, mangueras de vapor, abrazaderas, conectores, cinturones y otros componentes asociados. Para motores menores o iguales a 80 cc, sólo el depósito de combustible está sujeto a los requisitos de la garantía de control de emisiones por evaporación de esta sección (California solamente).

RESPONSABILIDADES DE GARANTÍA DE LOS PROPIETARIOS:

Como propietario de SORE o un equipo accionado por motor, es responsable del rendimiento del mantenimiento requerido listado en su manual del propietario. FIRMAN recomienda que guarde todos los recibos de mantenimiento del SORE o equipo accionado por motor, aunque FIRMAN no puede denegar la garantía sólo por falta de recibos.

Como propietario de SORE o un equipo accionado por motor, debería saber que FIRMAN puede denegar la cobertura de garantía si su SORE o equipo accionado por motor o una pieza ha fallado debido al abuso, negligencia, mantenimiento inapropiado o modificaciones no aprobadas.

Es su responsabilidad presentar su SORE o equipo accionado por motor a un centro de servicio o distribución FIRMAN tan pronto como el problema surja. Las reparaciones de garantía deberían completarse en un periodo de tiempo razonable, que no exceda los 30 días. Si tiene alguna pregunta referente a la cobertura de garantía, debería contactar con FIRMAN al 1-844-347-6261.

COBERTURA DE GARANTÍA DE EMISIONES GENERALES

Este sistema de control de emisiones está justificada por tres años. El periodo de garantía empieza el día que el motor o equipo es entregado al comprador final. FIRMAN garantiza al comprador final y a cada subsecuente comprador que el motor está: Diseñado, fabricado, y equipado para cumplir con todas las regulaciones aplicables adoptadas por la Junta de Recursos de Aire y EPA (Agencia de Protección Ambiental de Estados Unidos); y libre de defectos en materiales y mano de obra que causen el fallo de una pieza garantizada que debe ser idéntica con referencia a todos los materiales así como la pieza descrita en la petición de certificación de fabricantes de motores.

La garantía de piezas relacionadas con las emisiones es la siguiente:

- 1) Cualquier pieza en garantía que no esté previsto cambiar como parte del mantenimiento requerido en el manual del propietario facilitado, está bajo garantía durante el periodo de garantía indicado más arriba. Si alguna pieza falla durante el periodo de la cobertura de la garantía, esta pieza será reparada o reemplazada por FIRMAN sin cargos para el propietario. Cualquier parte reparada o reemplazada bajo garantía permanecerá en garantía para el periodo restante que dure la garantía. Cualquier pieza en garantía que solamente esté prevista para recibir una inspección regular según el manual del propietario facilitado, estará en garantía durante el periodo de garantía indicado más arriba. Cualquier parte reparada o reemplazada bajo garantía permanecerá en garantía para el periodo restante que dure la garantía.
- 2) Cualquier pieza en garantía que esté previsto cambiar como parte del mantenimiento especificado en el manual del propietario facilitado, está bajo garantía durante el periodo de tiempo anterior al primer punto de repuesto para esta pieza. Si la pieza falla antes del primer repuesto previsto, la pieza será reparada o reemplazada por FIRMAN sin cargos para el propietario. Cualquier pieza reparada o reemplazada bajo garantía permanecerá en garantía por el periodo de tiempo restante antes del primer punto de repuesto para esta pieza.
- 3) Reparar o reemplazar cualquier parte en garantía bajo garantía debe realizarse sin cargos para el propietario en un centro del servicio técnico de la garantía.
- 4) A pesar de las provisiones de la Subsección (4) de más arriba, los servicios o reparaciones de la garantía deben estar proporcionados por FIRMAN, que serán franquiciados para dar servicio a los motores en cuestión.
- 5) Al propietario no se le debe cobrar por las tareas de diagnóstico que lleguen a determinar que la pieza en garantía está, en realidad, defectuosa, siempre y cuando este diagnóstico se lleve a cabo en un centro del servicio técnico de la garantía.
- 6) FIRMAN se hace responsable de los daños ocasionados a otros componentes de motor que sean causa inmediata de un fallo bajo el periodo de garantía de cualquier pieza en garantía.
- 7) A lo largo del periodo de la garantía de las emisiones descrito en la subsección (b)(2), FIRMAN seguirá manteniendo un suministro de las piezas en garantía adecuadas para cumplir con la demanda esperada de estas piezas.
- 8) Cualquier pieza de repuesto que deba ser usada durante cualquier mantenimiento o reparación bajo garantía, será proporcionada sin cargos para el propietario. Dicho uso no reducirá las obligaciones de la garantía del fabricante.

9) Las piezas añadidas o modificadas que no estén exentas por el Air Resources Board (Agencia de Protección Ambiental de California) no deberán utilizarse. El uso de cualquier pieza añadida o modificada que no esté exenta por el último comprador tendrá fundamento para serle denegada la petición de garantía.

El fabricante no se hará responsable de fallos en la garantía de piezas en garantía causados por el uso de piezas añadidas o modificadas no exentas.

PIEZAS CUBIERTAS POR LA GARANTÍA

A continuación se listan las piezas (si están provistas) cubiertas por la Garantía de Sistemas de Control de Emisiones Federales y de California. Algunas piezas en la lista siguiente podrían requerir un mantenimiento programado y están bajo garantía hasta el primer punto de repuesto previsto para dicha pieza.

1. Sistema de encendido, incluyendo: -Bujía -Bobina de encendido	4. Sistema de inducción por aire, incluyendo: -Tubería de entrada/colector -Filtro de aire
2. Sistema medidor de combustible: -Depósito de combustible -Tapón del combustible -Línea de combustible y accesorios/tornillos relacionados	5. Ensamblaje del respiradero del cárter, incluyendo: -Tubo de conexión del respiradero
3. Ensamblaje del silenciador catalítico, incluyendo: -Colector del escape -Convertidor catalítico -Junta del silenciador -Válvula de tensión	6. Sistema de control de las emisiones de evaporación del depósito de combustible, incluyendo: -Válvulas de purga -Contenedor de carbono -Mangueras de vapor y accesorios/tornillos

Limitaciones

La presente Garantía de los Sistemas de Control de las emisiones no debe cubrir las siguientes cuestiones:

- (a) Daños emergentes como pérdida de tiempo, molestias, pérdida del uso del motor o equipo, etc.
- (b) Los cargos por diagnóstico e inspección que no den como resultado un servicio calificado cubierto por la garantía.

FIRMAN POWER EQUIPMENT INC.

Firman Power Equipment Inc.
14131 N Rio Vista Blvd Suite 9
Peoria, AZ 85381
www.firmangenerators.com