

LED Indoor Luminaires
Track Mount
120VAC / 60Hz

Safety Precautions

- Read all safety precautions and installation instructions carefully before installing or servicing this fixture. Failure to comply with these instructions could result in potentially fatal electric shock and/or property damage.
- It is recommended that a qualified electrician perform all wiring. This fixture must be wired in accordance with all national and local electrical codes.
- Do not handle any energized fixture or attempt to energize any fixture with wet hands or while standing on a wet or damp surface or in water.
- This fixture is designed for use in a 120VAC, 60Hz fused circuit, compatible with Triac dimmers.
- To reduce the risk of electrical shock, and to assure proper operation, this fixture must be adequately grounded. To accomplish proper grounding, there must be a separate ground wire (green) contact between this fixture and the ground connection of your main power supply panel.
- This fixture is intended to be used for general indoor lighting in dry locations, mounted to a track system at least 7 feet above the floor.
- Disclaimer
 Changes or modifications not expressly approved by the party responsible for compliance could void the user's authority to operate the equipment. NOTE: This equipment has been tested and found to comply with the limits for a Class B digital device, pursuant to Part 15 of the FCC Rules and Canadian ICES-005 (B) / NMB-005 (B). These limits are designed to provide reasonable protection against harmful interference in a residential installation. This equipment generates uses and can radiate radio frequency energy and, if not installed and used in accordance with the instructions, may cause harmful interference to radio communications. However, there is no guarantee that interference will not occur in a particular installation. If this equipment does cause harmful interference to radio or television reception, which can be determined by turning the equipment off and on, the user is encouraged to try to correct the interference by one or more of the following measures:
 - Reorient or relocate the receiver antenna.
 - Increase the separation between the equipment and receiver.
 - Connect the equipment into an outlet on a circuit different from that to which the receiver is connected.
 - Consult with the dealer or an experienced radio/TV technician for help.

Any modifications to this fixture may void the warranty and interfere with the safe operation of the luminaire.

Operation is subject to the following two conditions: (1) this device may not cause interference, and (2) this device must accept any interference, including interference that may cause undesired operation of the device.

ASSEMBLY INSTRUCTIONS

Step 1 - Preparing for installation.

- Disconnect electrical power at fuse or circuit breaker box before installing or servicing any part of this fixture.
- Carefully remove track head from the carton.

Step 2 – Installing the rack head.

- Find the location of where track head will be mounted to the track system.
- Insert the top portion of the track head adapter into the slot of the track section.
- Hold with one hand and use other hand to slightly pull down the adapter's locking tab and rotate track head 90degree clockwise then release to engage locking tab to secure it to the track.
- Adjust track head to any desire position.

Step 3 - Restore power at fuse or circuit breaker box.

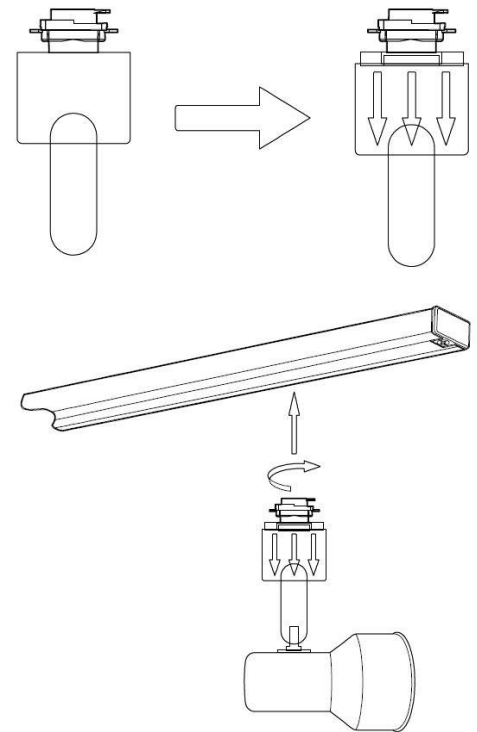
Dimmer Compatibility

Product can be dimmed down to 10% of full scale using a standard two-wire dimmer.

<u>Brand</u>	<u>Model #</u>
Leviton	DSL06-ILZ, IPL06-10Z, 6672, 6674
Lutron	PD-6WCL, CTCL-153P, TGCL-153P, MACL-153M

Track System Compatibility

Hampton Bay	16033KIT-BK
Hampton Bay	16033KIT-WH
Halo by Eaton	"L" Series Track Kit
WAC Lighting	"H" Series Track Kit
WEN HUI Enterprise	"L" Series Track Kit
Evolution Lighting	"HBT" Series Track Kit



Limited Factory Warranty

This product is manufactured by AFX Inc. AFX warrants this fixture is free from defects in materials and workmanship when installed and used under normal operating conditions for a period of 5 years from date of purchase. This warranty covers all component parts and extends only to replacement of defective fixture or components; it does not cover failure due to improper installation, misuse, mishandling or damage incurred in transit. For questions, please call AFX at 1-800-873-2326.

8061101 R1

Exclusively Distributed By:
 HD Supply Facilities Maintenance, Ltd.
 Atlanta, GA 30339
 © 2018
 Made in China

To Reorder:
 1-800-431-3000
 hdsupplysolutions.com