

Freezer FFFC22M6QW

Manual Defrost
22 Cu. Ft. Chest



Product Dimensions

Height (Including Lid)	35"
Width	73-1/4"
Depth	27-1/2"

More Easy-To-Use Features

Power-On Indicator Light

Know at a glance that your freezer is working.

Defrost Water Drain

Use the drain to conveniently remove water during defrosting.

Color-Coordinated Handle

Lock with Pop-Out Key

The freezer key automatically ejects after locking the door so you won't leave it in the door.

Adjustable Temperature Control

Select the correct temperature for your needs.

Available in:



White
(W)

Signature Features

SpaceWise® Organization System

Our SpaceWise® Organization System offers organizational solutions you can customize to fit your needs like our sliding plastic baskets with color-coordinated clips, dividers and pizza basket.

SpaceWise® Adjustable Baskets with Color-Coordinated Clips

Take organization to the next level with our heavy-duty adjustable plastic baskets with color-coordinated clips that snap-on and can be used to organize items by categories or purchase date so items are much easier to find.

Bright LED Lighting

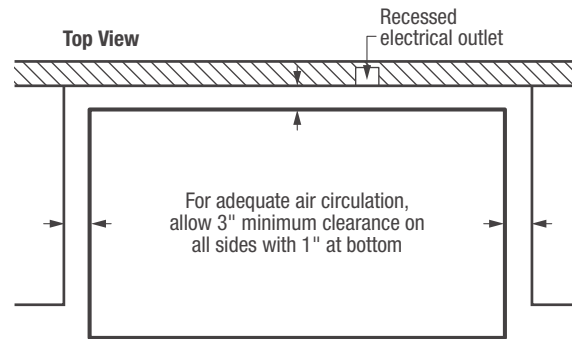
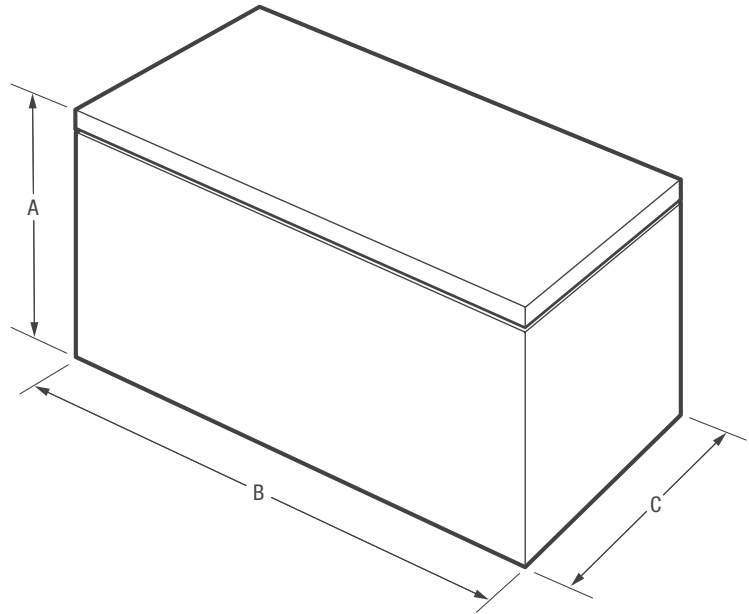
Our bright LED lighting makes it easy to see what's inside.

Built with American Pride

Appliances that are high-performing, more accessible, and more innovative than ever—designed, built, and engineered in the U.S.A.

Features	
Defrost	Manual
Adjustable Temperature Control	Yes
Interior Lighting	LED
SpaceWise® Sliding Plastic Baskets with Color-Coordinated Clips	1- Small Hanging Basket 1- Large Hanging Basket 1- Shallow Basket 1- Deep Basket
SpaceWise® Adjustable Dividers	Yes
Food Organization System	Yes
Defrost Water Drain	Yes
Lid Handle	Yes
Lock with Pop-Out Key	Yes
Power-On Light	Yes
Certifications	
CSA Rating	Household
Specifications	
Total Capacity (Cu. Ft.)	21.6
Annual Energy (kWH)	383
Annual Energy Cost (.12/kWH)	46
Power Supply Connection Location	Bottom Rear
Voltage Rating	115V/60Hz/5A
Connected Load (kW rating) @ 115 Volts ¹	.6
Amps @ 115 Volts	5
Minimum Circuit Required (Amps)	15
Shipping Weight (Approx.)	217 Lbs.

¹An electrical supply with grounded three-prong receptacle is required. The power supply circuit must be installed in accordance with current edition of National Electrical Code (NFPA 70) and local codes & ordinances.

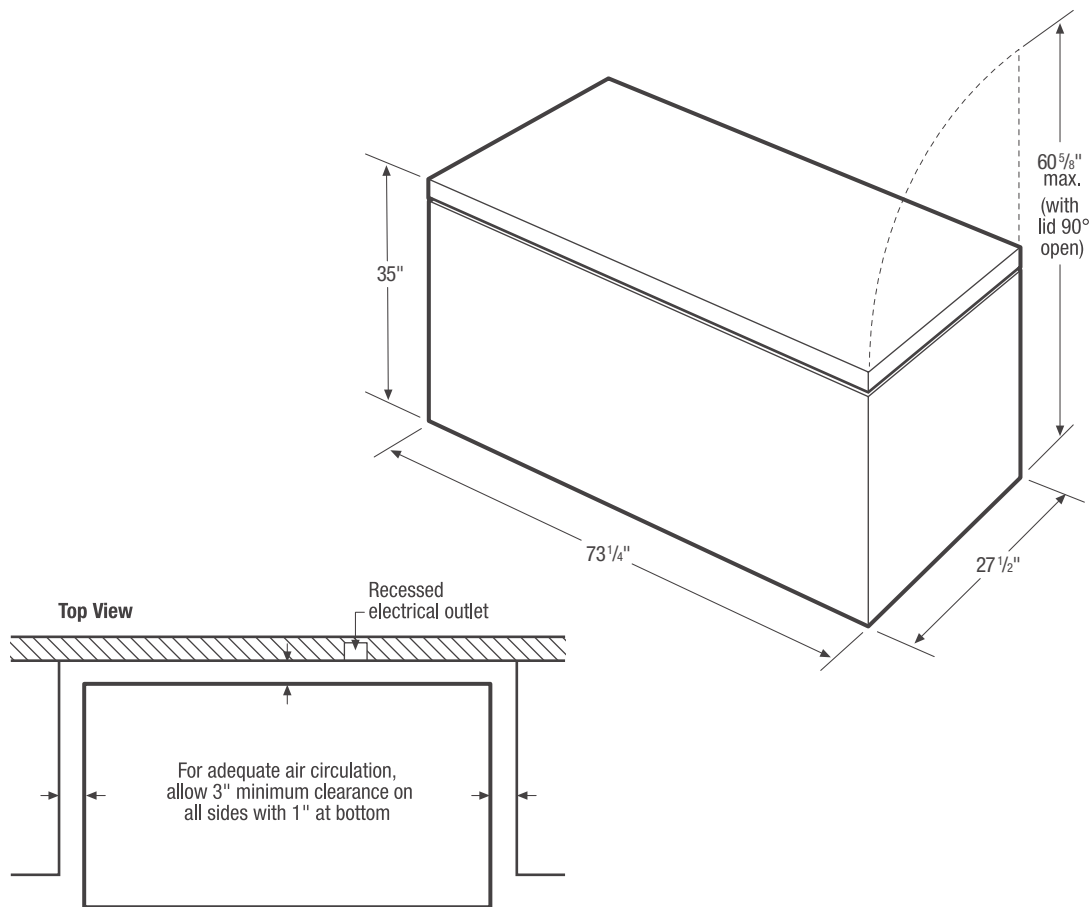


NOTE: For planning purposes only. Always consult local and national electric codes. Refer to Product Installation Guide for detailed installation instructions on the web at frigidaire.com.



Product Dimensions	
A - Height (Including Lid)	35"
B - Width	73-1/4"
C - Depth	27-1/2"
Height with Lid Open 90°	60-5/8"

Accessories information available on the web at frigidaire.com



Chest Freezer Specifications

- Product Shipping Weight (approx.) - 217 Lbs.
- An electrical supply with grounded three-prong receptacle is required. The power supply circuit must be installed in accordance with current edition of *National Electrical Code (NFPA 70)* and local codes & ordinances.
- Voltage Rating - 115V / 60 Hz / 5 Amps
- Connected Load (kW Rating) @ 115 Volts = 0.6 kW
- Amps @ 115 Volts = 5 Amps
- Always consult local and national electric codes.
- For adequate air circulation, allow 3" minimum clearance on all sides with 1" at bottom.

- Locate where surrounding air temperature will not exceed 110°F, to ensure optimum performance. (Temperatures 32°F and below will NOT affect operation.)
- All bottom corners of unit MUST rest firmly on solid level surface of hard material, same height as flooring. Surface must be strong and stable enough to support unit when fully loaded.
- Equipped with adjustable leveling legs to ensure unit is level, which is required in order to function properly.

Note: For planning purposes only. Refer to *Product Installation Guide* on the web at frigidaire.com for detailed instructions.