

# 4 DC

## RANCHO BASE CABINET

MODEL 90625 CAPPUCCINO

### NEED ASSISTANCE ?

Call 4D CONCEPTS directly for parts or assembly assistance.

Individual stores do not stock parts

Call our Toll-free number 5 days a week except holidays:

Monday through Friday 8.00am to 5.00pm

Pacific Standard Time

[www.4dconceptsusa.com](http://www.4dconceptsusa.com)

**1-888-310-4DCO or 1-888-310 4326**

IMPORTANT: Before calling please have the model number and the packing code number ready for our customer service representatives. You will find the model number printed on the carton label and the packing code printed in black ink on the side of the carton.

Model        90625        Packing code

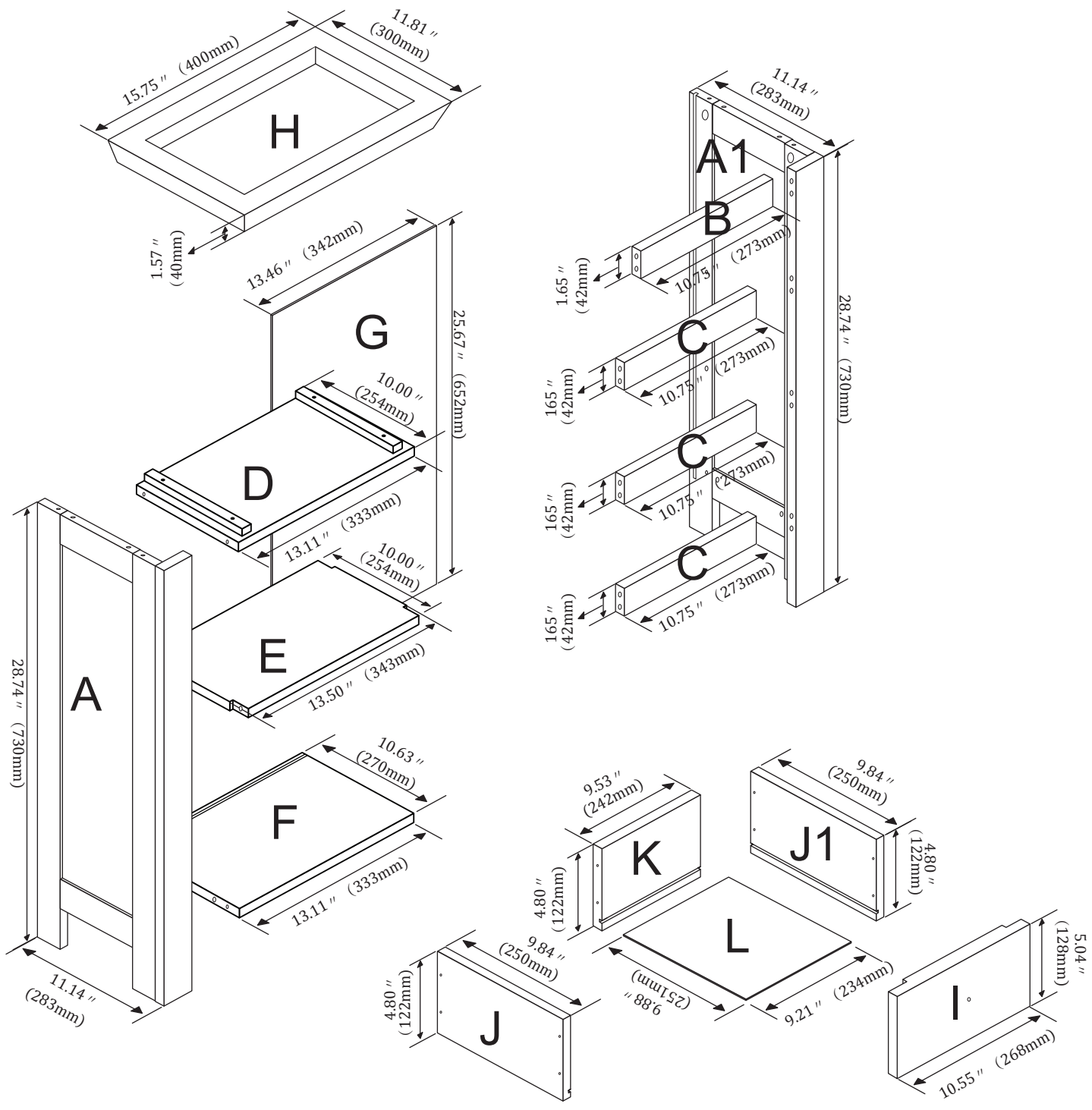
It is important that you retain the model number and the packing code along with the original receipt of purchase for future reference

Made in China

WITH EVERY PURCHASE FROM 4D CONCEPTS, YOU ARE HELPING TO CREATE BUSINESS SOLUTIONS TO POVERTY.

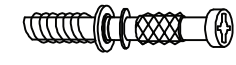
**MEDA** Find out how  
[www.meda.org/4D](http://www.meda.org/4D)

Please note that the units must be assembled completely in order for the drawers to open and close correctly



4 x 30MM

M x 8



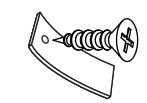
7 x 39MM

O x 12



12 x 10MM

O2 x 8



3.5 x 12MM

Q x 1



4 x 25MM

S x 1

WALL FIXINGS x 1 BAG

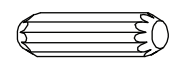


N x 4



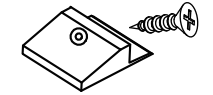
15 x 12MM

O1 x 4



6 x 30MM

P x 28



3 x 18MM

R x 6

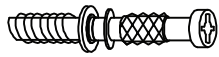
**T**  
 x 2  
 3.5 x 14MM x 2

**T1**  
 x 2  
 x 2  
 6 x 30MM x 2  
 4 x 35MM x 2

# 1.



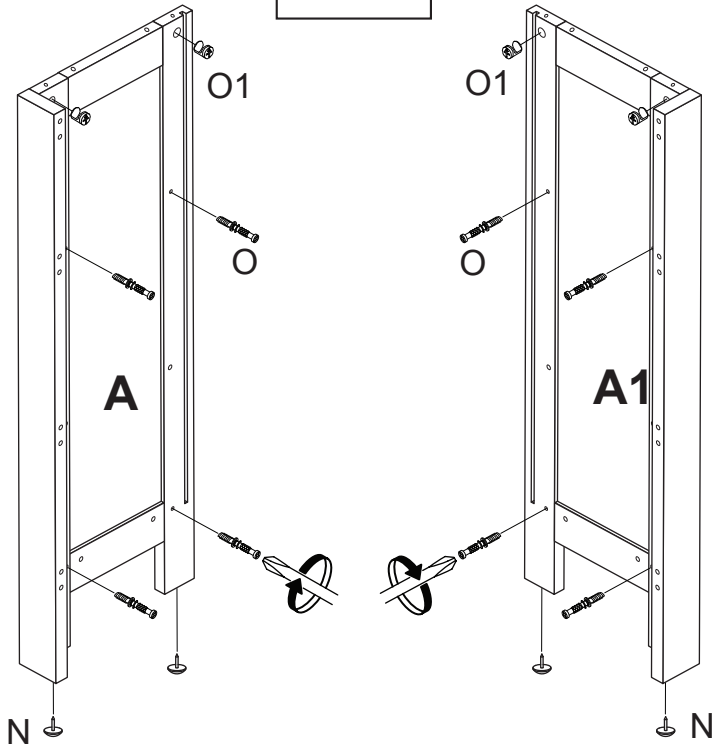
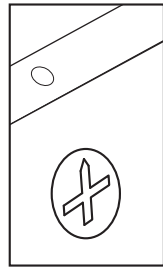
N x 4



O x 8



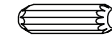
O1 x 4



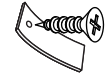
# 2.



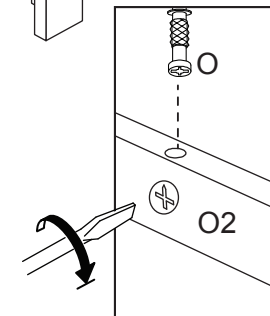
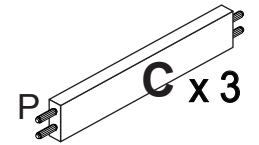
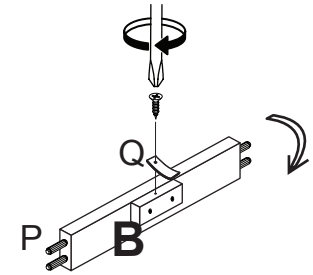
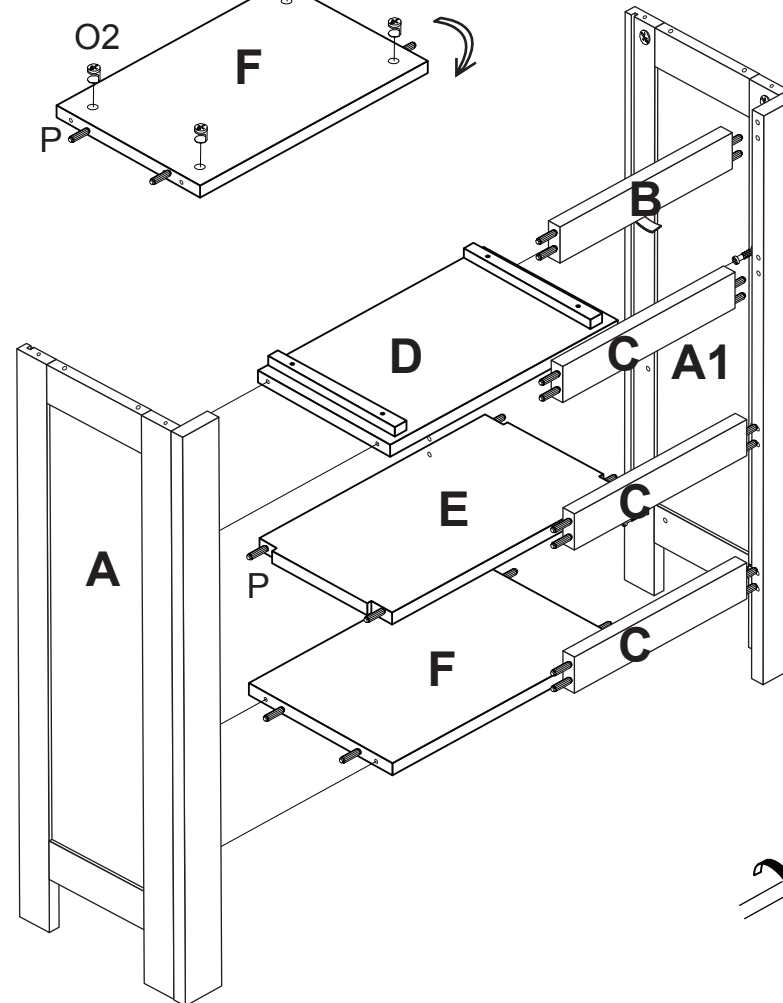
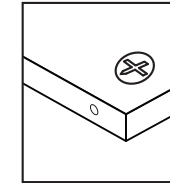
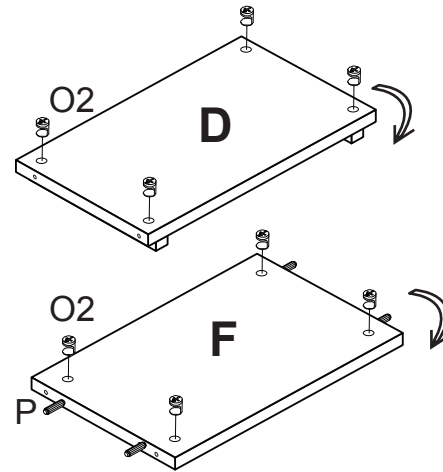
O2 x 8



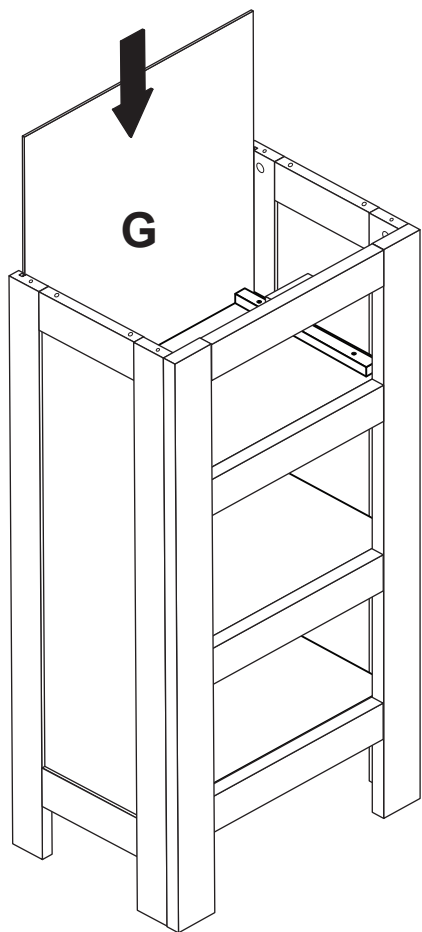
P x 24



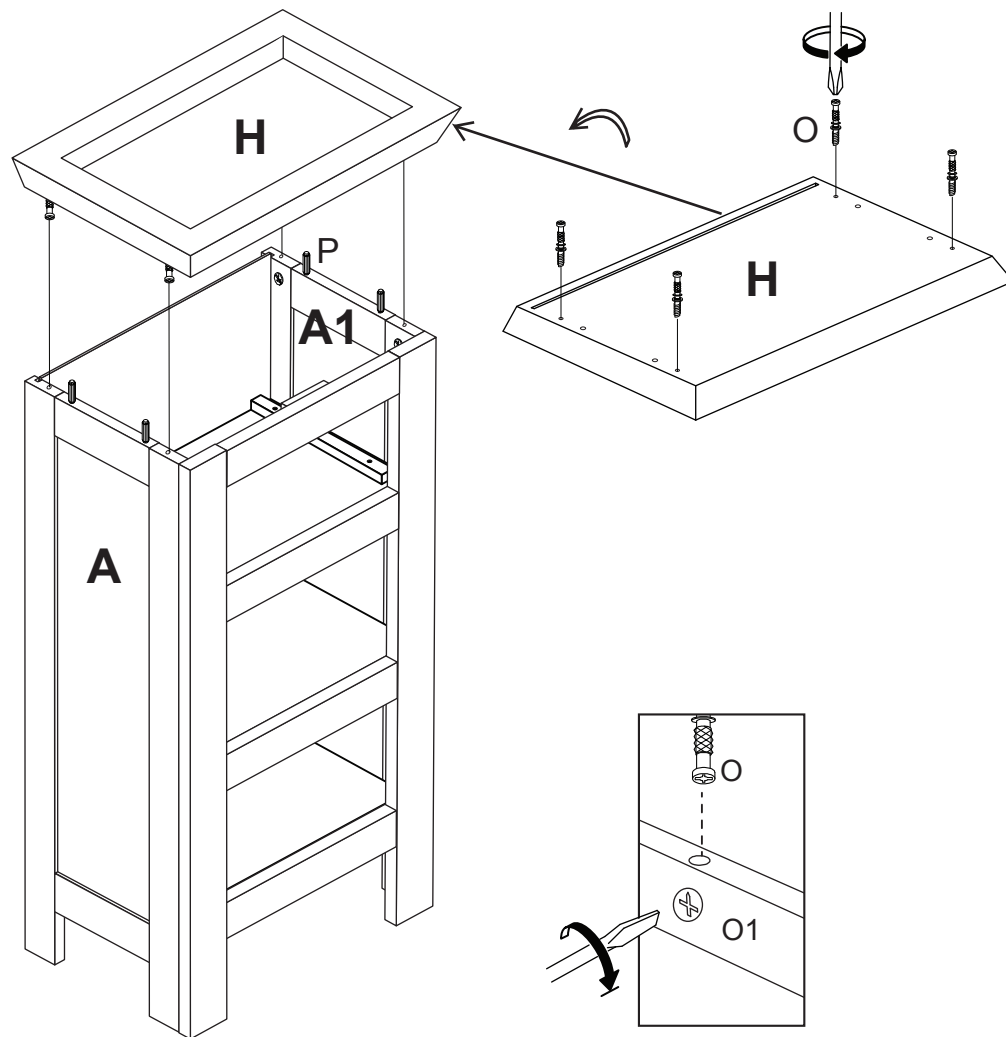
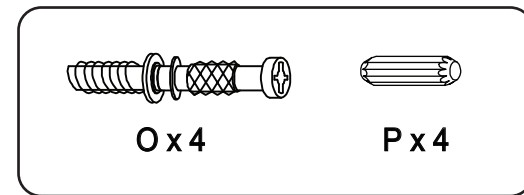
Q x 1



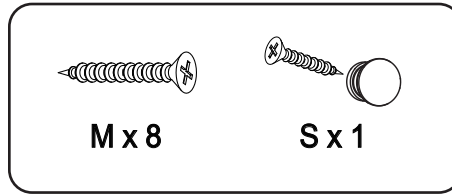
3.



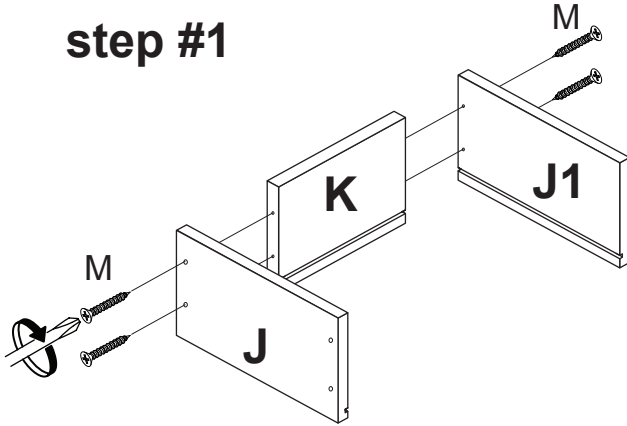
4.



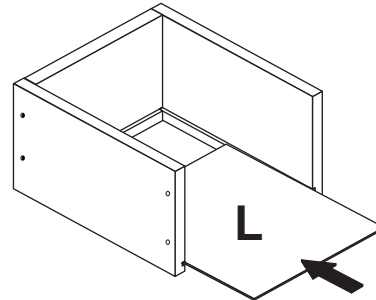
5.



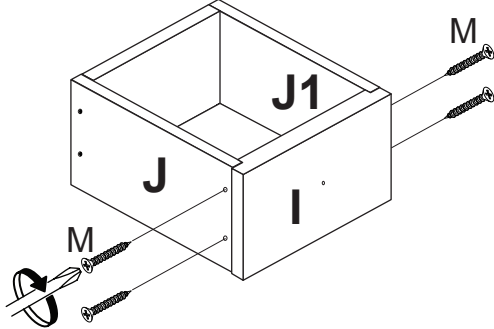
step #1



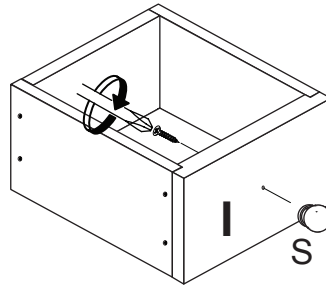
step #2



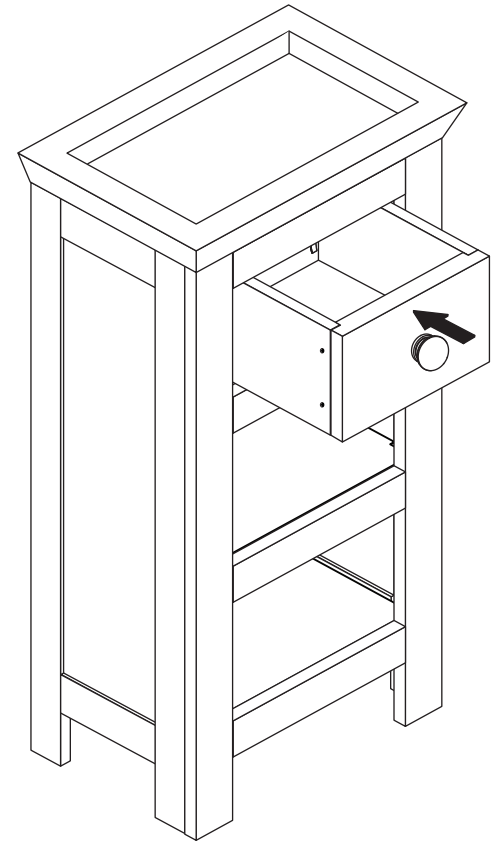
step #3



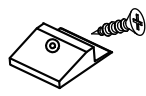
step #4



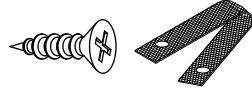
6.



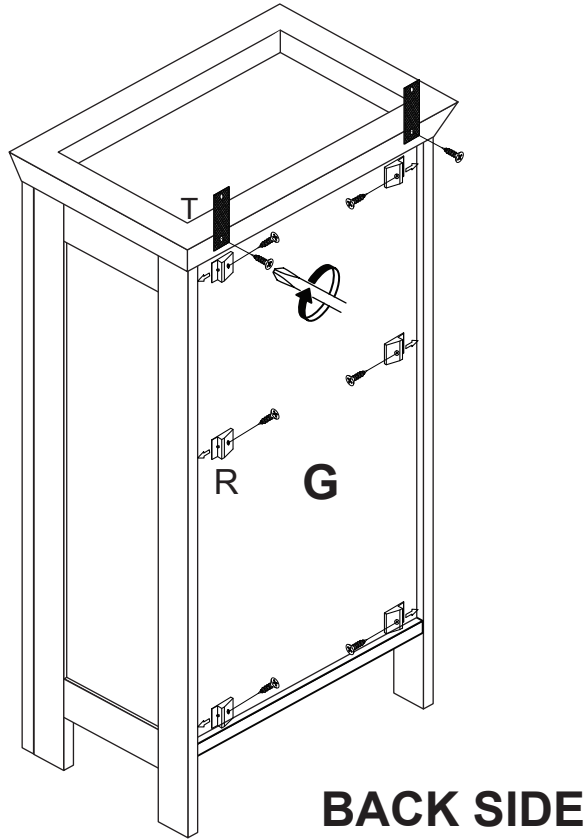
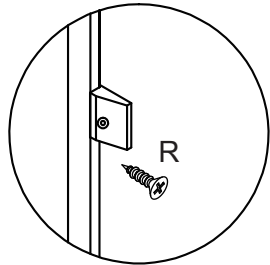
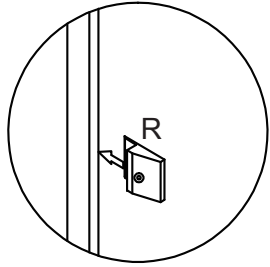
7.



R x 6



T x 2



8.



T1 x 2

