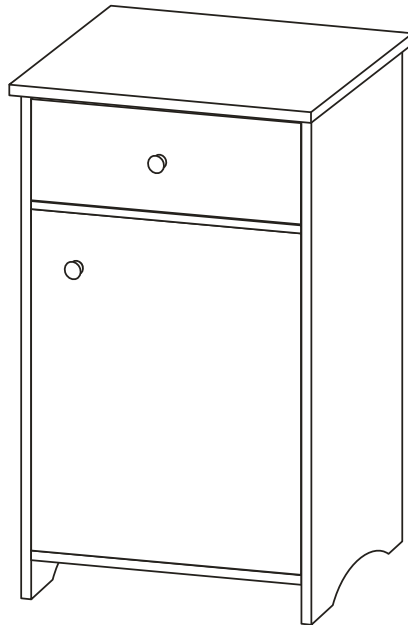




ASSEMBLY INSTRUCTIONS



RiverRidge® MEDORD SINGLE DOOR FLOOR CABINET

ITEM# 06-102 WHITE

ITEM# 06-103 ESPRESSO

ADULT ASSEMBLY REQUIRED

This product requires assembly by an adult because of small parts. Care should be taken in unpacking and assembling this item to keep small parts away from children.

WARNING  SEE FULL WARNING ON PAGE 2

Young children can be seriously injured or killed if furniture tips over. Don't use this item for a TV stand or place heavy objects on top of item. Always use angle-braces or anchors to secure furniture to the wall.

Send requests for missing or damaged parts by email to: customer.service@ssi-rr.com or call toll free 1-(844)-223-5201 or order parts on line at www.riverridgehome.com

THIS CABINET WILL HOLD UP TO 25 POUNDS PER SHELF OR A TOTAL OF 75 POUNDS. DO NOT LOAD EACH SHELF WITH MORE THAN 25 POUNDS OR 75 POUNDS TOTAL WEIGHT. IF OVERLOADED WITH MORE THAN 25 POUNDS PER SHELF OR 75 POUNDS TOTAL WEIGHT, CABINET MAY TIP FROM WALL AND CAUSE SERIOUS INJURY OR DEATH.

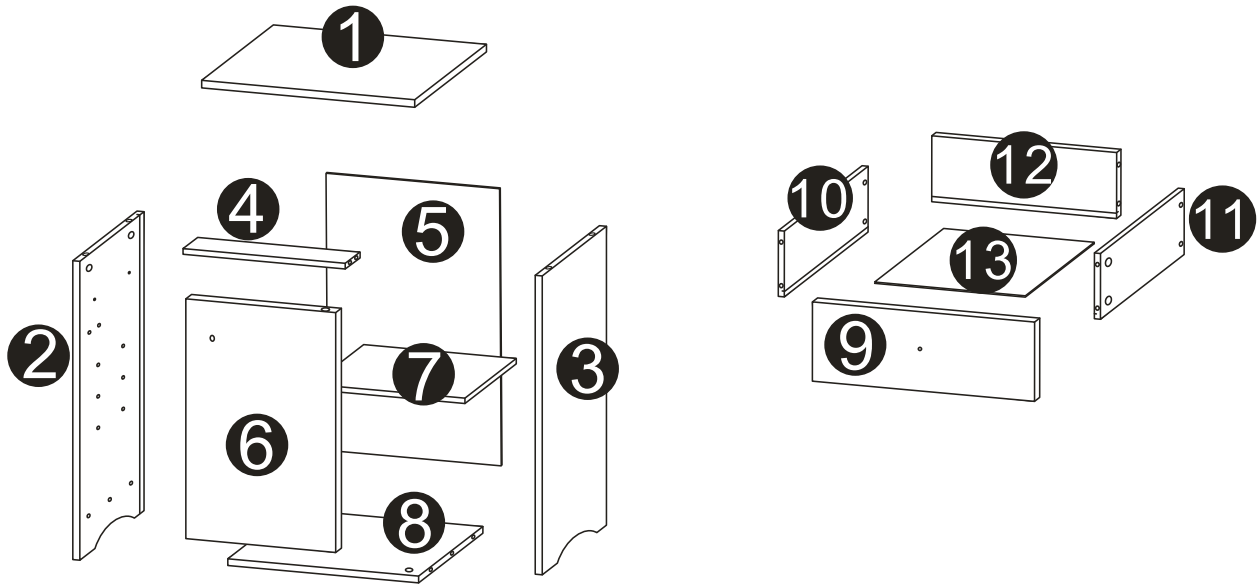


WARNING











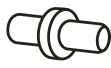

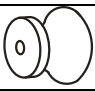



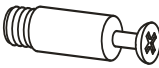




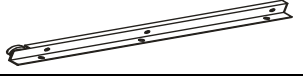

SERIOUS OR FATAL INJURIES CAN OCCUR FROM FURNITURE TIP-OVER. TO HELP PREVENT TIP-OVER:

- **Always use tip over restraints and/or wall anchors to secure furniture to the wall**
- **Place heaviest items in the lowest drawers/bins or shelves**
- **Do not set TV's or other heavy objects on the top of this product**
- **Never allow children to climb or hang on to the drawers/bins, doors or shelves of furniture**
- **Never open more than one drawer at a time or defeat or remove any drawer interlock system**

PARTS LIST

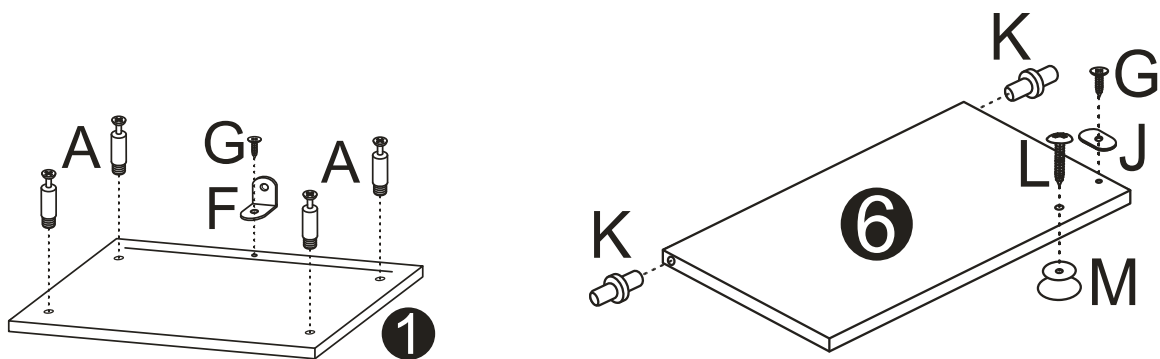


NO	QTY	DESCRIPTION
1	1PC	TOP BOARD
2	1PC	LEFT SIDE PANEL
3	1PC	RIGHT SIDE PANEL
4	1PC	CROSS BAR
5	1PC	BACK BOARD
6	1PC	DOOR
7	1PC	ADJUSTABLE SHELF
8	1PC	BOTTOM BOARD
9	1PC	DRAWER FRONT BOARD
10	1PC	DRAWER LEFT SIDE PANEL
11	1PC	DRAWER RIGHT SIDE PANEL
12	1PC	DRAWER BACK BOARD
13	1PC	DRAWER BOTTOM BOARD

NO	PARTS	QTY	DESCRIPTION
A		10PCS	CAM BOLT 5x35mm
B		10PCS	CAM LOCK 15x10mm
C		4PCS	WOOD DOWEL
D		1PC	MAGNET
E		6PCS	SCREW 3x14mm
F		2PCS	METAL BRACKET
G		2PCS	SCREW 3x10mm
H		4PCS	SHELF HOLDER
I		5PCS	SCREW 4x35mm
J		1PC	MAGNET PLATE
K		2PCS	DOOR PIN
L		2PCS	SCREW 4x25mm
M		2PCS	KNOB
N		1PC	PLASTIC LOCK STRIP
O		1PC	PLASTIC ANCHOR
P		4PCS	PLASTIC BRACKET
Q		4PCS	CAM BOLT 5x25mm
R		4PCS	CAM LOCK 12x10mm
S		8PCS	SCREW 3x12mm
T		1PC	DRAWER SLIDER (ATTACH TO LEFT SIDE PANEL)
U		1PC	DRAWER SLIDER (ATTACH TO RIGHT SIDE PANEL)
V		1PC	DRAWER SLIDER (ATTACH TO DRAWER RIGHT SIDE PANEL)
W		1PC	DRAWER SLIDER (ATTACH TO DRAWER LEFT SIDE PANEL)

TOOLS NEEDED FOR ASSEMBLY: FLAT & PHILLIPS SCREWDRIVER (NOT INCLUDED)
THE USE OF POWER SCREWDRIVER IS NOT RECOMMENDED FOR ASSEMBLY
TOOL NEEDED FOR SECURING TO WALL: POWER DRILL (NOT INCLUDED)

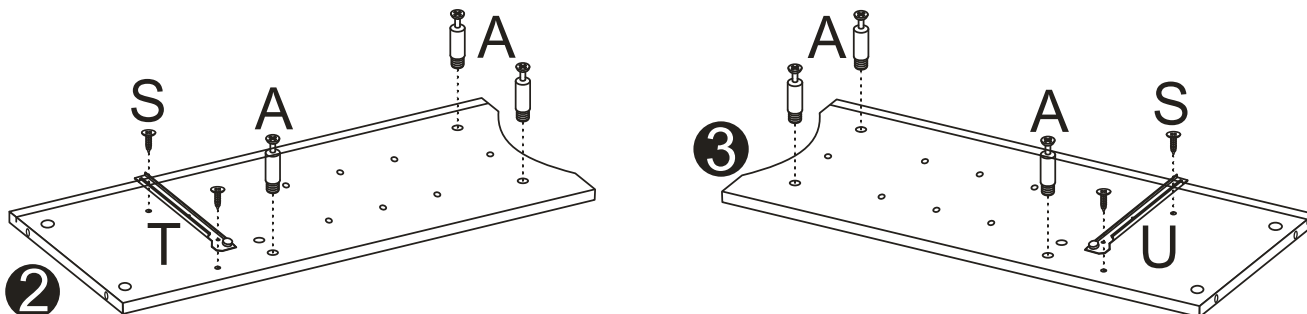
STEP 1



STEP 1

1. Screw 4 cam bolts (A) into pre-threaded holes on top board (1).
2. Attach 1 metal bracket (F) to top board (1) by inserting 1 screw (G) through hole on metal bracket (F) and tighten to top board (1).
3. Attach magnet plate (J) to door (6) by inserting 1 screw (G) through hole on magnet plate (J) and tighten to door (6)
4. Attach 1 knob (M) to door (6) by inserting 1 screw (L) through hole on door (6) and tighten to knob (M).
5. Insert 2 door pins (K) into holes on door (6).

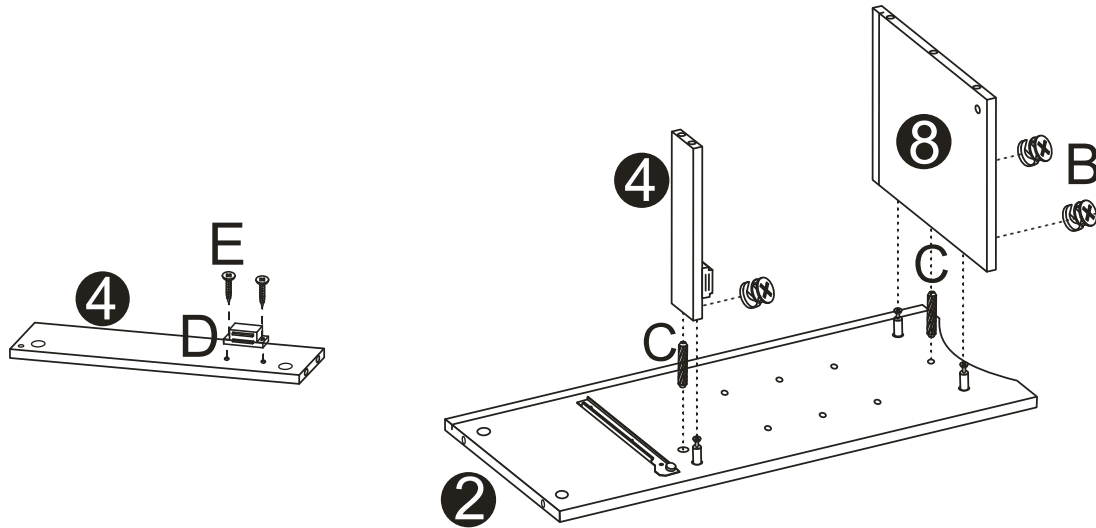
STEP 2



STEP 2

1. Screw 3 cam bolts (A) into pre-threaded holes on left side panel (2).
2. Attach drawer slider (T) to left side panel (2) by inserting 2 screws (S) through screw holes on drawer slider (T) and tighten to left side panel (2).
3. Screw 3 cam bolts (A) into pre-threaded holes on right side panel (3).
4. Attach drawer slider (U) to right side panel (3) by inserting 2 screws (S) through screw holes on drawer slider (U) and tighten to right side panel (3).

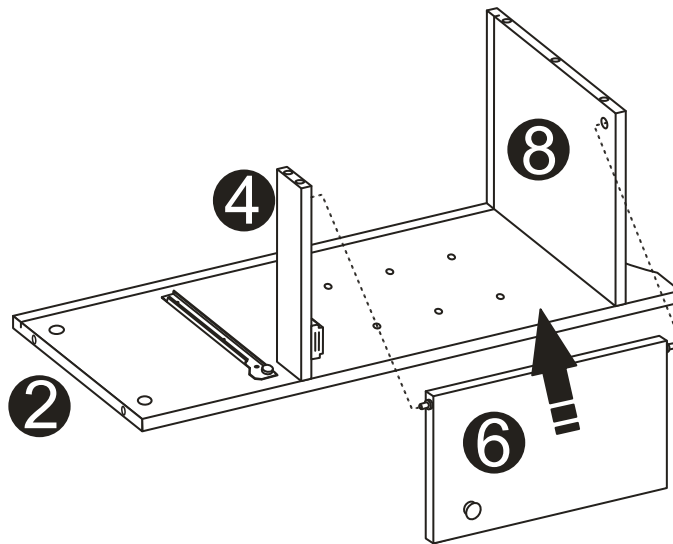
STEP 3



STEP 3

1. Attach magnet (D) to cross bar (4) by inserting 2 screws (E) through holes on magnet (D) and tighten to cross bar (4).
2. Insert 2 wood dowels (C) into wood dowel holes on left side panel (2).
3. Attach cross bar (4) and bottom board (8) to left side panel (2) by inserting wood dowels (C) into wood dowel holes on cross bar (4) and bottom board (8).
4. Insert 3 cam locks (B) into cam lock holes on cross bar (4) and bottom board (8), then rotate clockwise to secure cam bolts in place.

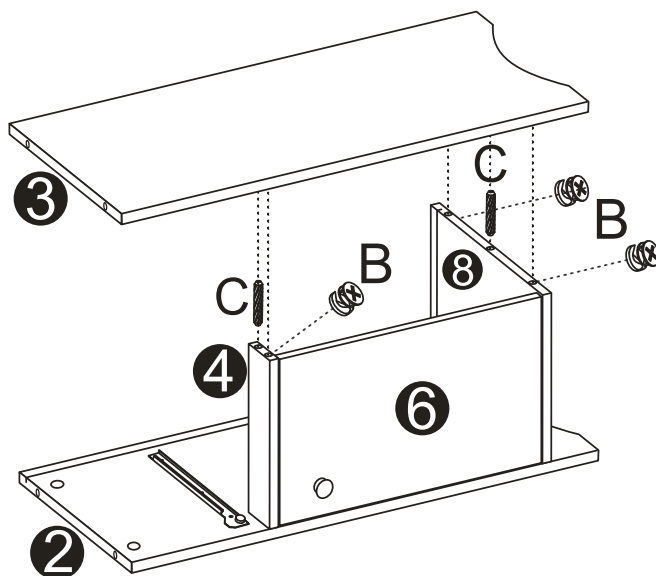
STEP 4



STEP 4

1. Attach door (6) to cross bar (4) and bottom board (8) by inserting door pin (K) into door pin holes on cross bar (4) and bottom board (8).

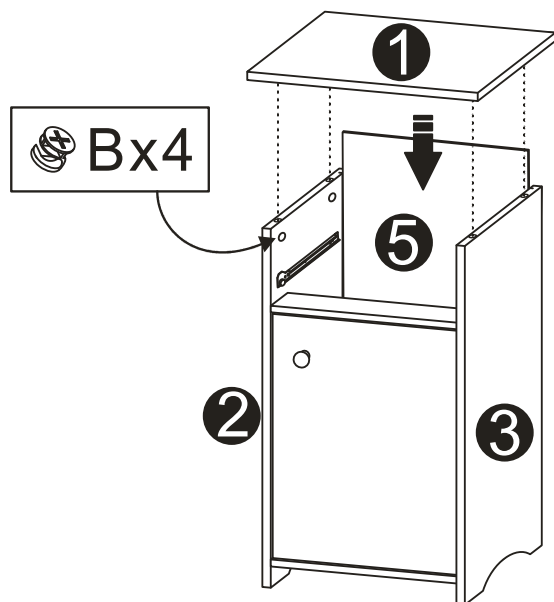
STEP 5



STEP 5

1. Insert 2 wood dowels (C) into wood dowel holes on cross bar (4) and bottom board (8).
2. Attach right side panel (3) to cross bar (4) and bottom board (8) by inserting wood dowels (C) into wood dowel holes on right side panel (3).
3. Insert 3 cam locks (B) into cam lock holes on cross bar (4) and bottom board (8), then rotate clockwise to secure cam bolts in place.

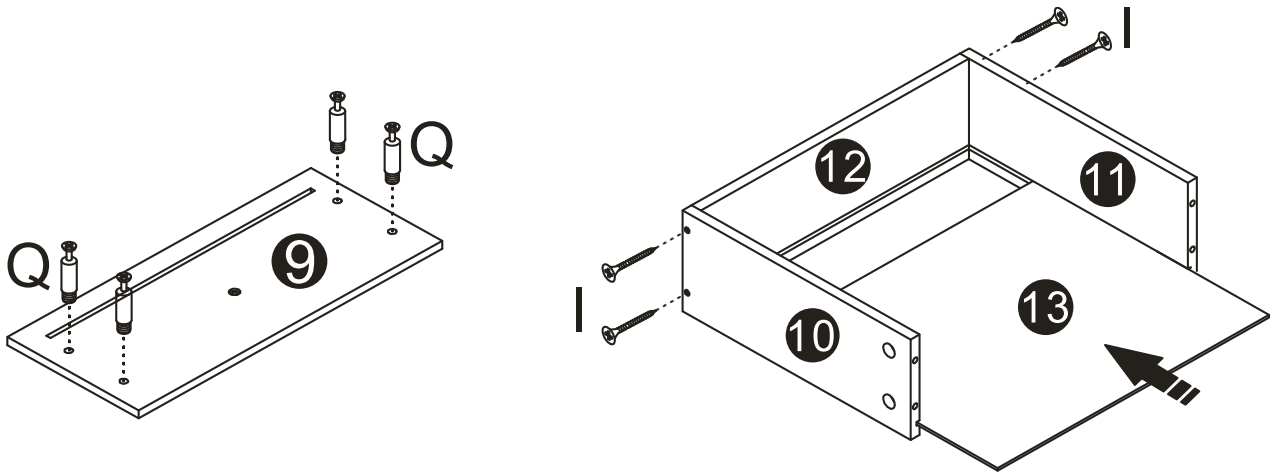
STEP 6



STEP 6

1. Slide back board (5) into grooves on left side panel (2), right side panel (3) and bottom board (8).
2. Attach top board (1) to left side panel (2), right side panel (3) and back board (5) by aligning groove on top board (1) with back board (5) and inserting cam bolts (A) into cam lock holes on left side panel (2) and right side panel (3).
3. Insert 4 cam locks (B) into cam lock holes on left side panel (2) and right side panel (3), then rotate clockwise to secure cam bolts in place.

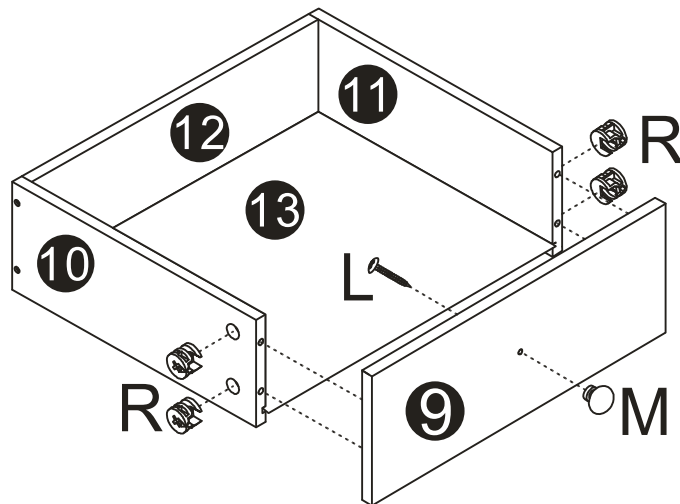
STEP 7



STEP 7

1. Screw 4 cam bolts (Q) into pre-threaded holes on drawer front board (9).
2. Attach drawer left side panel (10) and drawer right side panel (11) to drawer back board (12) by inserting 4 screws (I) through holes on drawer left side panel (10) and drawer right side panel (11), then tighten to drawer back board (12).
3. Slide drawer bottom board (13) into grooves on drawer left side panel (10), drawer right side panel (11) and drawer back board (12).

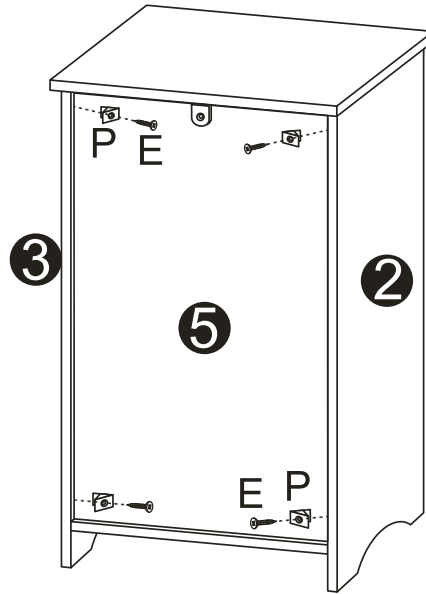
STEP 8



STEP 8

1. Attach drawer front board (9) to drawer left side panel (10), drawer right side panel (11) and drawer bottom board (13) by inserting cam bolts (Q) into cam lock holes on drawer left side panel (10) and drawer right side panel (11).
2. Insert 4 cam locks (R) into cam lock holes on drawer left side panel (10) and drawer right side panel (11) and rotate clockwise to secure cam bolts in place.
3. Attach knob (M) to drawer front board (9) by inserting 1 screw (L) through hole on drawer front board (9) and tighten to knob (M).

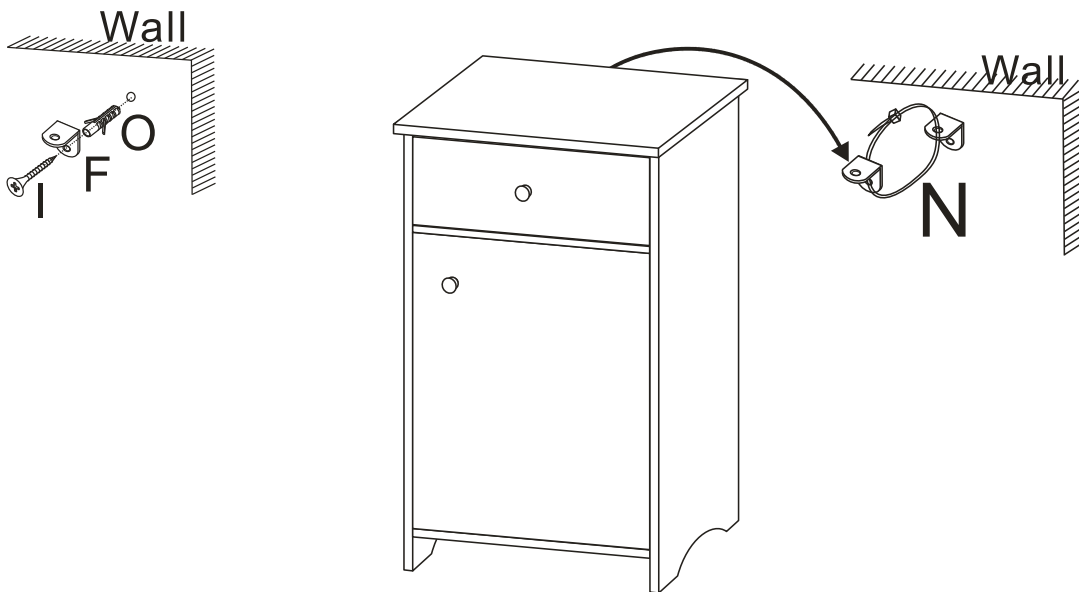
STEP 11



STEP 11

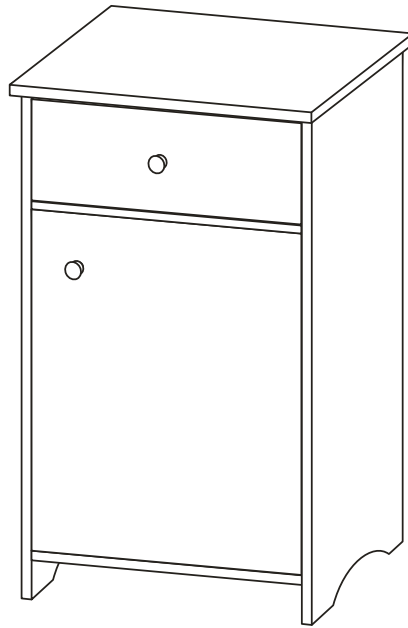
1. Attach 4 brackets (P) to back of cabinet by inserting 4 screws (E) through holes on brackets (P) and tighten to cabinet.

STEP 12




STEP 12

1. Place drawing with hole position on wall in desired location and drill 1 hole through the hole position on the drawing.
2. Insert plastic anchor (O) into hole on wall and attach metal bracket (F) to plastic anchor (O) by inserting 1 screw (I) through hole on metal bracket (F) and tighten to plastic anchor (O).
3. Place cabinet against wall to align brackets and insert Plastic lock strip (N) through metal bracket (F) on cabinet and metal bracket (F) on wall.
4. Fasten plastic lock strip (N) to secure 2 metal brackets together firmly.



ENJOY YOUR NEW RiverRidge® CABINET NOW!

Attention Adults: Cabinet should be checked periodically for damage or loose screws/parts. Take appropriate action necessary to correct hazards such as tightening of screws and taking any damaged parts away from children.

Warning  **Please make sure your item is secured to the wall, per assembly instructions.**

Thank you for purchasing this RiverRidge® Home Products item. We hope you enjoy it and consider purchasing other RiverRidge® items.

Send requests for missing or damaged parts by email to: customer.service@ssi-rr.com or call toll free 1-(844)-223-5201 or order parts on line at www.riverridgehome.com

RiverRidge® is a registered trademark of Sourcing Solutions, Inc., Hudson, WI 54016.

