



# GRANDIO

G R E E N H O U S E S

2015 GRANDIO ELITE 8x12, 8x16, 8x20, 8x24 KIT MANUAL  
INCLUDES INSTRUCTIONS FOR BACK DOOR TRANSFORMATION



Grandio Elite 8x24 Shown In Image

## GREENHOUSE USER MANUAL

© 2013 Grandio Greenhouses, Backyard Living Source Inc. All rights reserved  
2015 Manual Edition Extendable Greenhouses



Dear Valued Customer,

We would like to congratulate you on your new Grandio Greenhouse purchase. We are confident that you have made the right decision in choosing Grandio. Our greenhouses are made with high quality aluminium and polycarbonate and will last for many garden seasons to come.

Please take the time to carefully read this instruction manual for an easier and more enjoyable assembly experience.

Cheers!

Grandio Greenhouses

Save this owner's manual for future reference and if you need our help.

**CONTACT OUR CUSTOMER SERVICE**

**DEPARTMENT at:  
1-866-448-8231**

Hours: 8:30a.m.-5:00p.m. Monday through  
Friday (Mountain Standard Time)

**Backyard Living Source  
9543 W. Emerald St., Suite 101  
Boise, ID 83704**

**[www.grandiogreenhouses.com](http://www.grandiogreenhouses.com)**

**IMPORTANT! PLEASE READ BEFORE BEGINNING ASSEMBLY**

**Before you begin, take time to complete this check list. ✓**

- Take inventory of all parts using the parts list at the back of this manual on pages 67-76. The base kit parts list is at the front on page 12 and 13. The back door transformation kit parts list is on page 77.
- Be cautious where you place the polycarbonate panels as they will burn grass or plants if left on top of them in direct sunlight. Note that clear film side of panels should always face the sun and white film side faces inside greenhouse. Panels may scratch easily so be careful what you clean them with.
- Plan out when and where you are going to place the greenhouse, we recommend that you place it in an area that will receive direct sunlight and will be protected from the wind as much as possible
- It will take at least (2) people to put the greenhouse together.
- Before your build, make sure you are allowed to build it! Consult all building codes, as well as City or Municipality ordinances and HOA's, as you may need a permit or documentation before you build.
- Contact your insurance company to make sure your Grandio Greenhouse will be covered on your policy.
- Call your local utilities companies before digging.
- Do not attempt to begin construction on a windy day.
- Your greenhouse should be built on a flat level surface allowing for drainage.
- Read this entire manual to get familiar with all pieces and parts prior to beginning assembly. Follow the steps outlined in the order presented!



## IMPORTANT! SAFETY INSTRUCTIONS



### FAILURE TO FOLLOW THESE WARNINGS MAY RESULT IN SERIOUS INJURY OR PROPERTY DAMAGE AND WILL VOID WARRANTY.

To ensure safety, do not attempt to assemble this product without following the instructions carefully. Check entire box and inside all packing material for parts and/or additional instruction materials. **Before beginning assembly, read the instructions and identify all parts using the hardware identifier and parts list on pages 67-76. Complete assembly and proper usage are essential to reduce the risk of accident or injury when using your Grandio Greenhouse.**

**CAUTION: Do not leave polycarbonate panels laying on grass or leave in the sun or extreme heat, keep in a cool dry place until they are to be installed!!** (May cause burning to plants or grass if left directly on top of them, also may damage panels due to the protective film adhering to panels.) Panels may scratch easily. **Do Not** use solvent cleaners.

- Each of the polycarbonate panels have a transparent film side that should always face the sun, and a white film side which faces inside. The clear side has a UV coating and we recommend marking a small "x" on a corner of each panel to determine which side has the UV Coating as you cannot visually determine with your eye in the case of future disassembly.
- Due to shipping, the grooves of some of the aluminum profiles may be too small to insert into the polycarbonate sheet, you may carefully use a screwdriver to pry the framework open so the polycarbonate sheet can be inserted smoothly.
- Do not use or store hot objects such as grills, blow torches, welding equipment, etc. in or near your greenhouse.
- Do not allow children or pets to play in greenhouse or in the set up area until assembly is complete.
- If using a ladder during assembly, use extreme caution.
- A clean level surface is essential to maintaining the solid integrity of the structure, Install the base correctly as described in manual. Please anchor the greenhouse down to a firm and level base.

#### TOOLS YOU WILL NEED FOR ASSEMBLY

- |                            |                           |                                |
|----------------------------|---------------------------|--------------------------------|
| • <b>Tape Measure</b>      | • <b>2 Step Ladders</b>   | • <b>Safety Glasses</b>        |
| • <b>Level</b>             | • <b>Work Gloves</b>      | • <b>Drill</b>                 |
| • <b>Carpenter Square</b>  | • <b>Permanent Marker</b> | • <b>Knee Pads</b>             |
| • <b>At Least 2 Adults</b> | • <b>Masking Tape</b>     | • <b>Folding Utility Table</b> |



When you see this icon pay special attention to the helpful tips we have provided that will make installation more efficient.



# GRANDIO<sup>®</sup>

G R E E N H O U S E S

## ASSEMBLY INSTRUCTION STEPS

### PREPARE FOR ASSEMBLY

### STEP ONE: BASE ASSEMBLY

### STEP TWO: FRONT ASSEMBLY

### STEP THREE: BACK ASSEMBLY

### STEP FOUR: MIDDLE ASSEMBLY

### STEP FIVE: EXTENSION ASSEMBLY

### STEP SIX: DOOR ASSEMBLY

### STEP SEVEN: INTERIOR ROOF SUPPORTS

Introduction.....	1
Safety Instructions.....	2
Prepare For Assembly.....	4
Box Configurations .....	5
Diagrams of Assembled Grandio Elite Sizes	
8x8, 8x12, 8x16, 8x20, 8x24.....	6-10
Base Kit Assembly Information.....	11
Base Kit Parts Lists.....	12-13
8x12 Base Kit.....	14
8x16 Base Kit.....	15
8x20 Base Kit.....	16
8x24 Base Kit.....	17
Base Kit Assembly and Installation.....	18
Front Wall Assembly.....	21-26
Back Wall Assembly.....	27-32
Middle Assembly.....	33-38
Extension Assembly.....	39-46
8x20 and 8x24 Extension Assembly.....	47-50
Extension Assembly Continued.....	51-59
Door Assembly.....	60-65
Interior Roof Supports.....	66
GRA-ELI-8A Parts List.....	67-69
GRA-ELI-8P Parts List.....	70
GRA-ELI-4X Parts List.....	71-73
GRA-ELI-8XA Parts List.....	74-75
GRA-ELI-8XP Parts List.....	76
GRA-ELI-BD Parts List.....	77
Warranty.....	78

# PREPARE FOR GREENHOUSE ASSEMBLY

## ⚠ IMPORTANT: BASE KIT ASSEMBLY & GREENHOUSE PLACEMENT ⚠

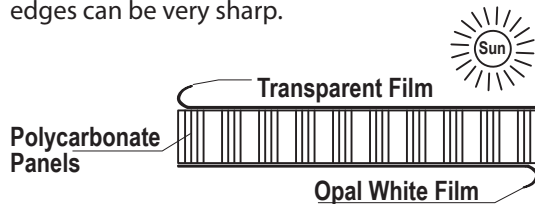
Before assembling your new greenhouse, a proper foundation must be prepared. A number of anchoring options are acceptable, based on wind and ground conditions in your area.

Pre-read pages 11-20 for base kit assembly information.

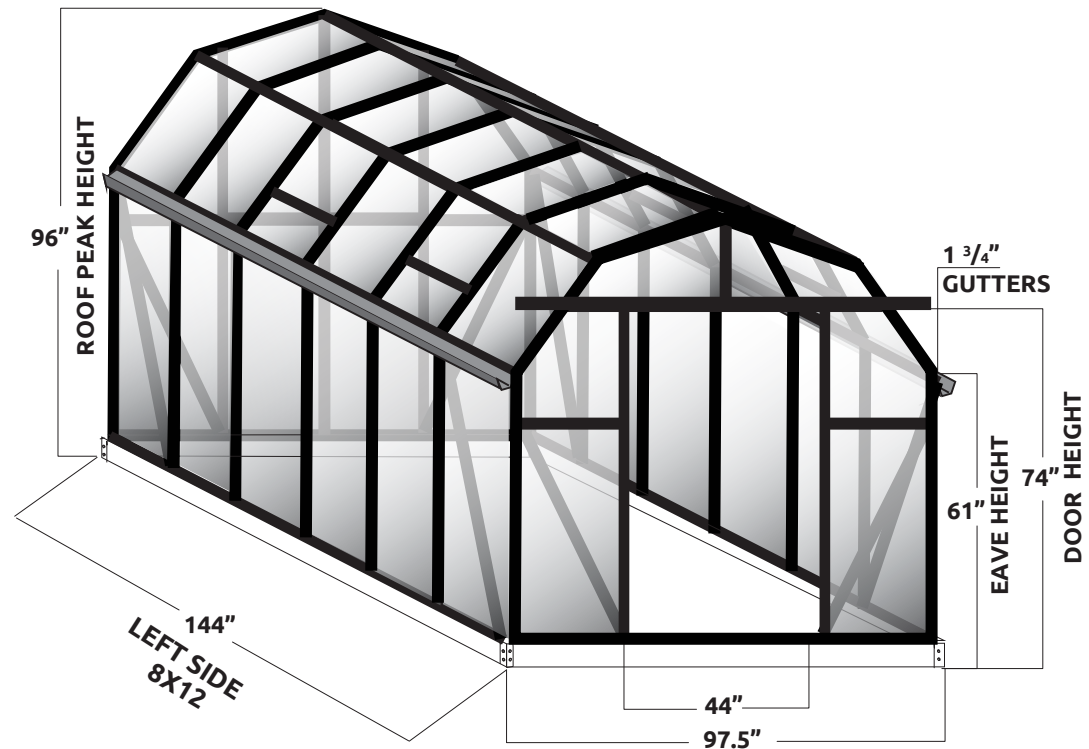
Go to [www.grandiogreenhouses.com](http://www.grandiogreenhouses.com) for foundation ideas and tour our online learning center for tips, tricks and videos for putting your greenhouse together.

## ⚠ IMPORTANT: POLYCARBONATE PANELS ⚠

The UV-Protected side is covered with transparent film and must face toward the sun. The side covered in white film will always face the interior of the greenhouse. We suggest you peel all film off completely prior to assembly and use a permanent marker to place a small "X" on the lower right corner of each panel on the transparent side that faces the sun, each panel has a sticker labeling the panel number and this side always faces the sun or outward as well. **DO NOT REMOVE LABELS UNTIL YOU INSTALL PANELS.** The "X" is suggested in case you dis-assemble your greenhouse in the future so you may identify which side has the UV coating. Always use gloves when handling the polycarbonate panels as the edges can be very sharp.



## 8X12 GRANDIO ELITE BARN STYLE GREENHOUSE DIMENSIONS

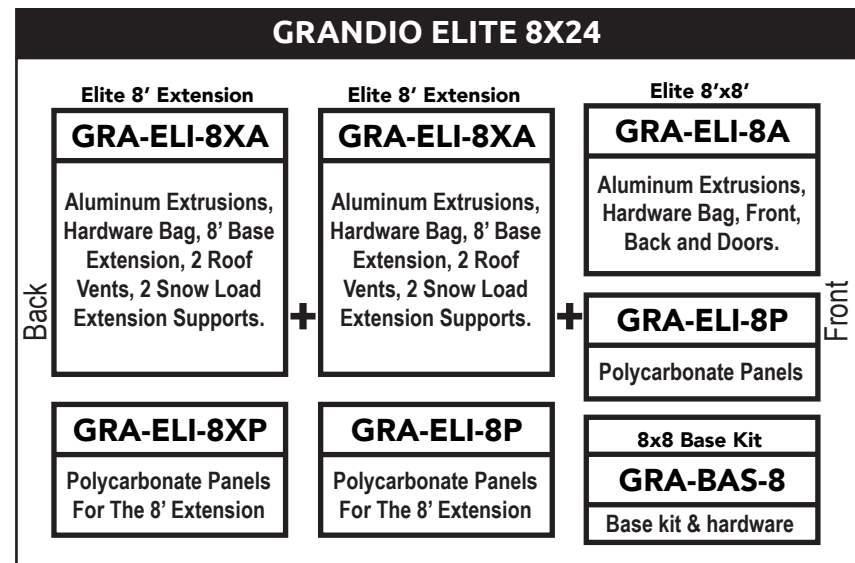
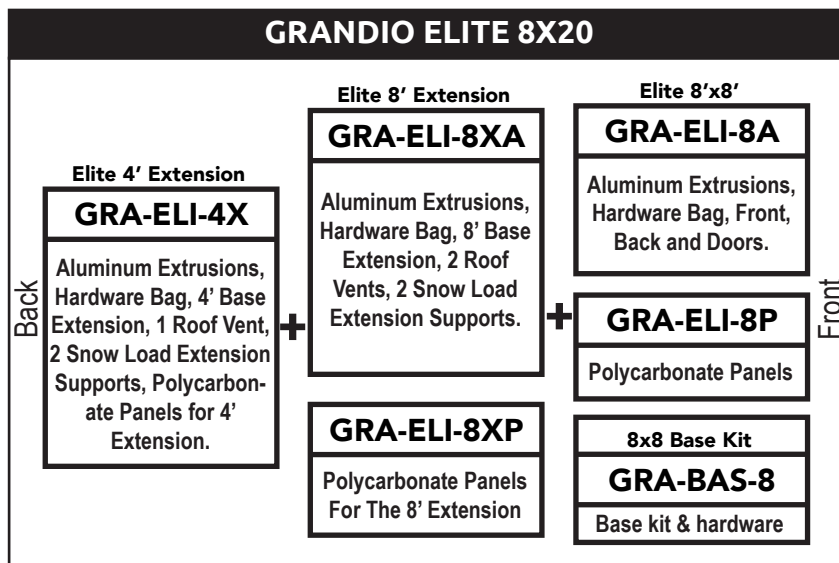
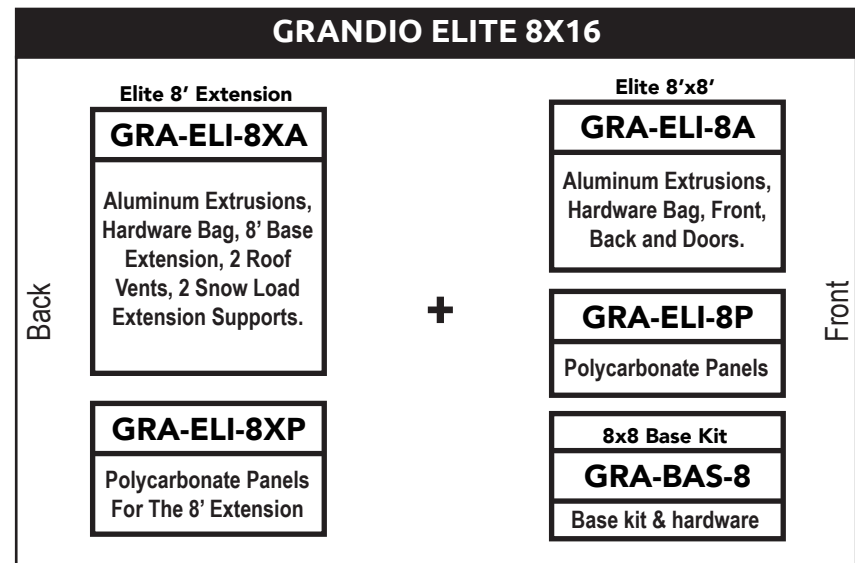
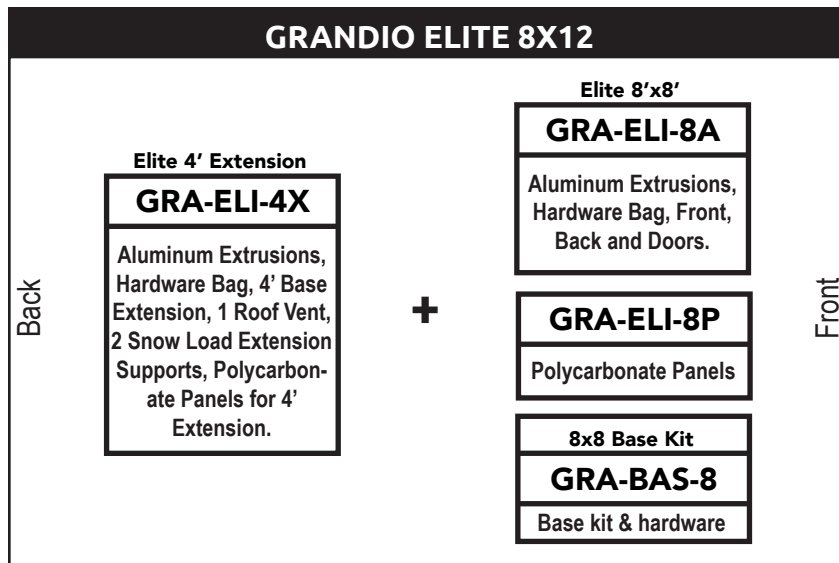


**\*SEE BASE KIT ASSEMBLY SECTION FOR ALL GREENHOUSE BASE DIMENSIONS ON PAGES 14-17.**

# EXTENSION KIT BOX CONFIGURATIONS

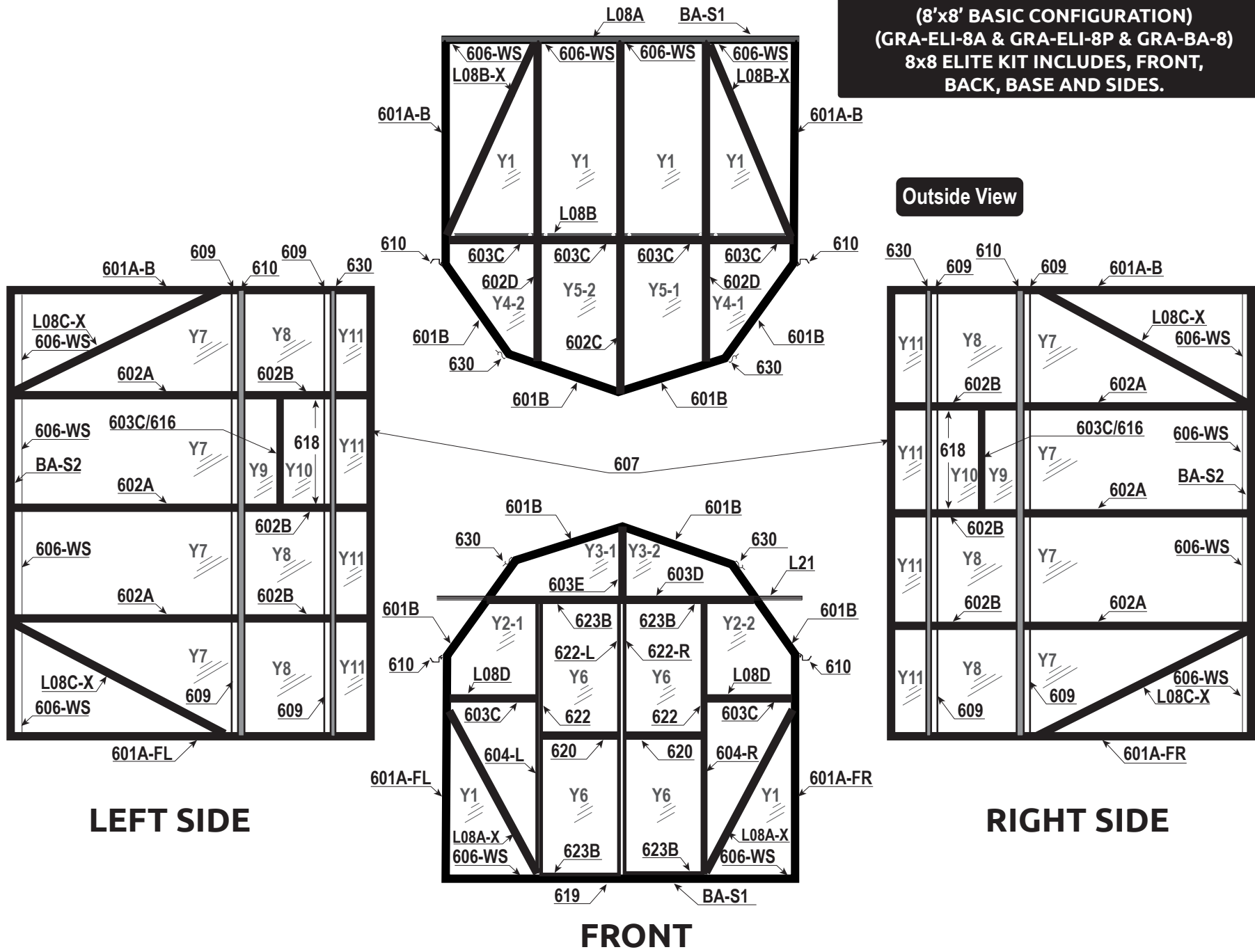
We recommend that you lay all of your boxes out as shown below for an organized assembly. Locate your greenhouse size and situate near your assembly site. We suggest you lay the parts out on a tarp so you do not lose items in the grass or dirt near your building site.

\*See the reference diagrams on pages 6-10 for more information about how the parts will go together and what makes up each section for the assembly. If building a back door you will follow the instructions in the manual, the parts for the transformation are in box **GRA-ELI-BD**.



# BACK

**DIAGRAM SHOWS THE ASSEMBLED  
(8'x8' BASIC CONFIGURATION)  
(GRA-ELI-8A & GRA-ELI-8P & GRA-BA-8)  
8x8 ELITE KIT INCLUDES, FRONT,  
BACK, BASE AND SIDES.**



## Outside View

## LEFT SIDE

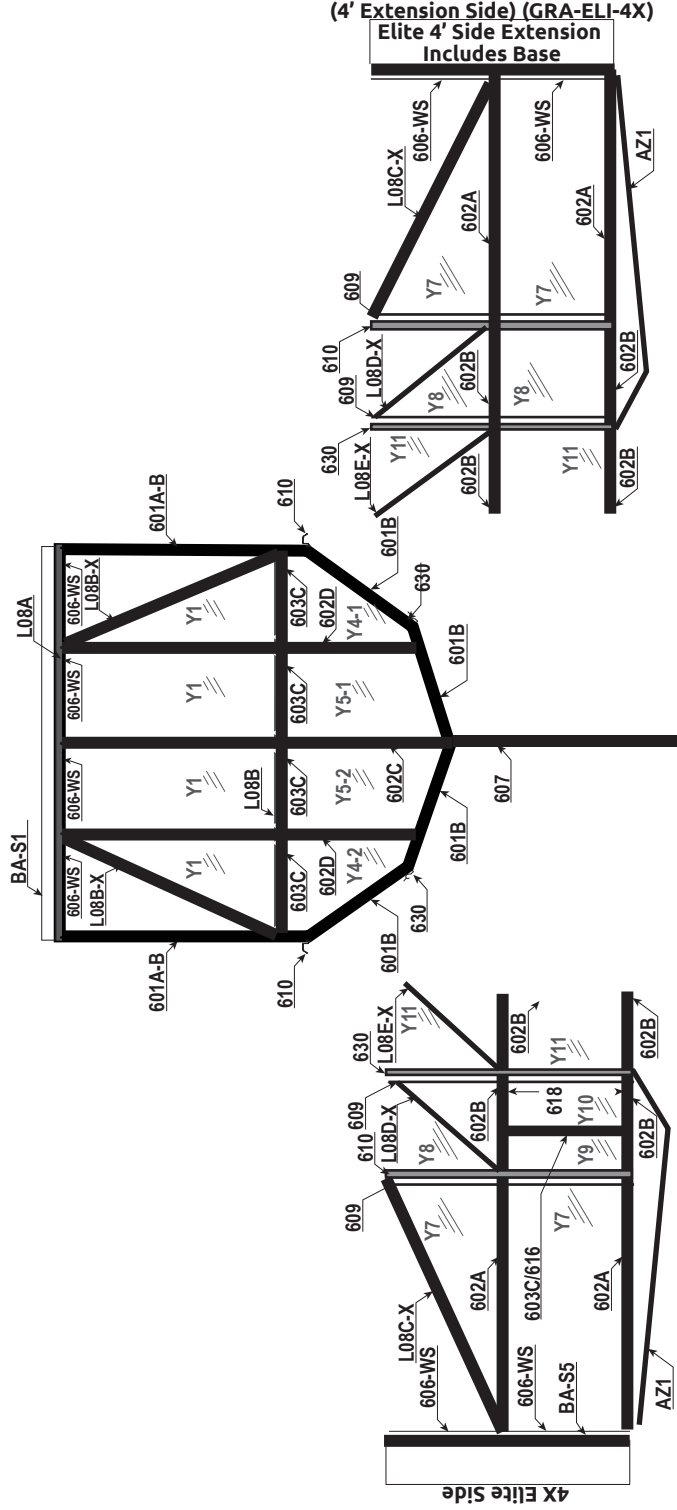
## RIGHT SIDE

# FRONT



**BACK**

In boxes GRA-ELI-8A and GRA-ELI-8P, the base for 8x8 is all in GRA-BAS-8.

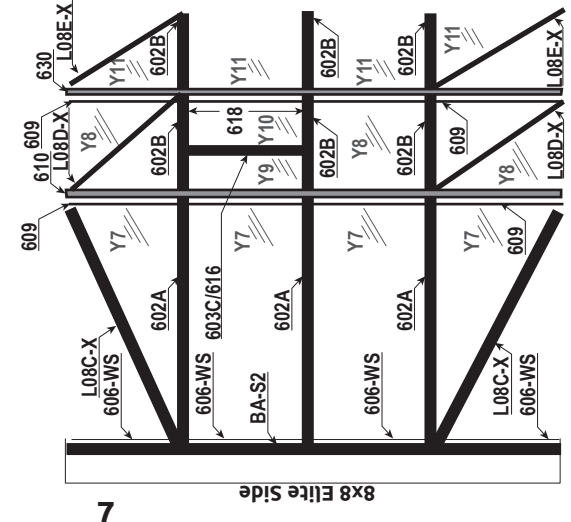


(4' Extension Side) (GRA-ELI-4X)  
Elite 4' Side Extension Includes Base

(8'x8' Original Kit) (GRA-ELI-8A & GRA-ELI-8P & GRA-BA-8)  
8x8 Elite Includes Front, Back, Base, and Sides

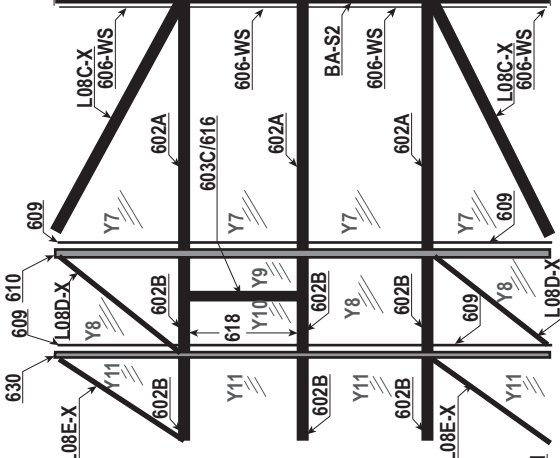
**DIAGRAM SHOWS THE ASSEMBLED 8X12 GRANDIO ELITE THE BOX CONFIGURATION IS AN ELITE 8X8 PLUS AN 4 FOOT EXTENSION KIT**

**Outside View**



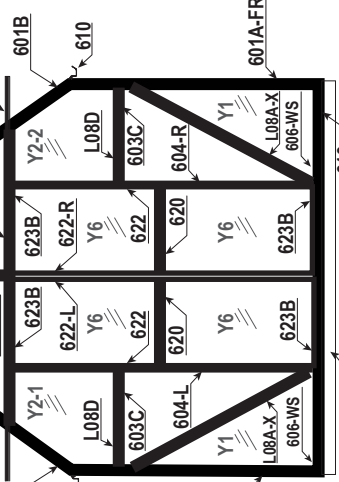
**LEFT SIDE**

In boxes GRA-ELI-8A and GRA-ELI-8P, the base for 8x8 is all in GRA-BAS-8.



**RIGHT SIDE**

In boxes GRA-ELI-8A and GRA-ELI-8P, the base for 8x8 is all in GRA-BAS-8.



**FRONT**

In boxes GRA-ELI-8A and GRA-ELI-8P, the base for 8x8 is all in GRA-BAS-8.



**BACK**

In boxes GRA-ELI-8A and GRA-ELI-8P, the base for 8x8 is all in GRA-BAS-8.

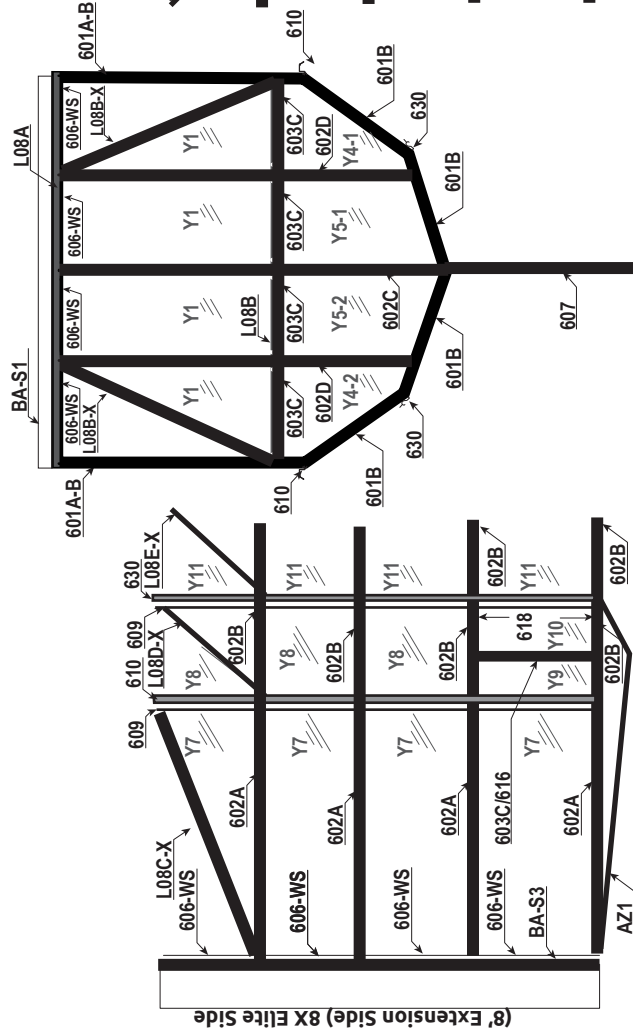
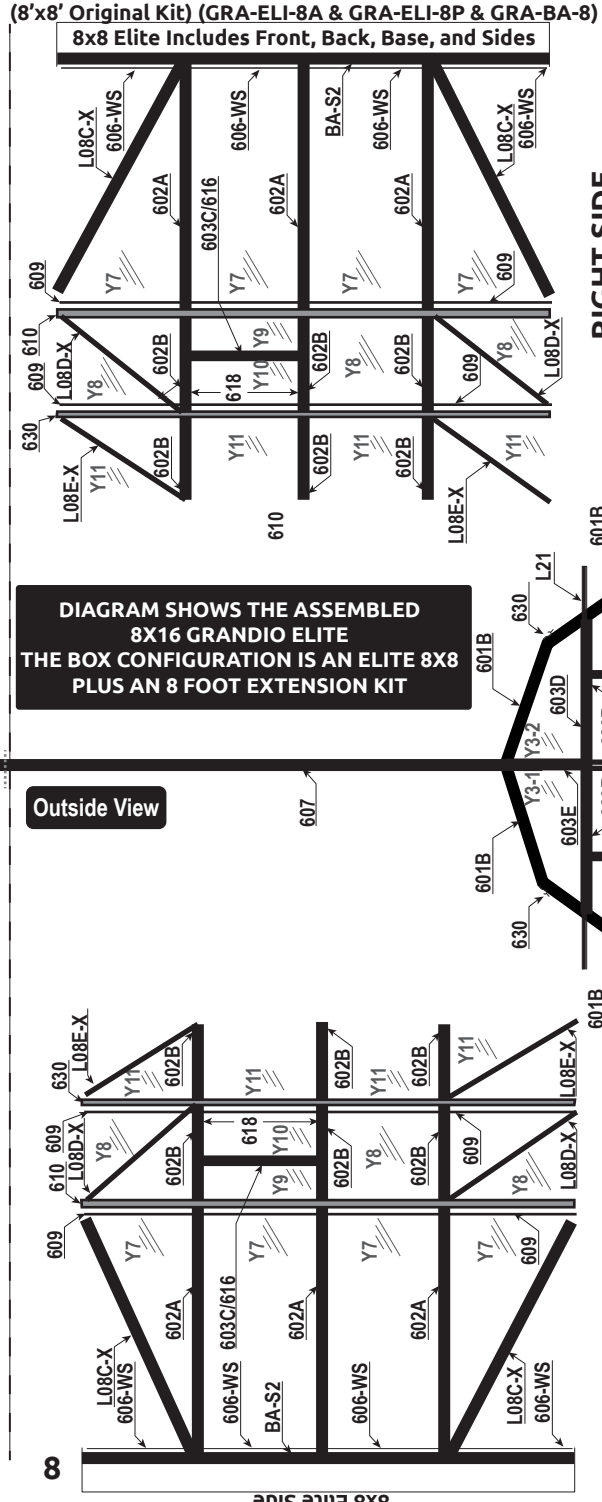


DIAGRAM SHOWS THE ASSEMBLED 8X16 GRANDIO ELITE THE BOX CONFIGURATION IS AN ELITE 8X8 PLUS AN 8 FOOT EXTENSION KIT

**Outside View**



**RIGHT SIDE**

In boxes GRA-ELI-8A and GRA-ELI-8P, the base for 8x8 is all in GRA-BAS-8.

**LEFT SIDE**

In boxes GRA-ELI-8A and GRA-ELI-8P, the base for 8x8 is all in GRA-BAS-8.

**FRONT**

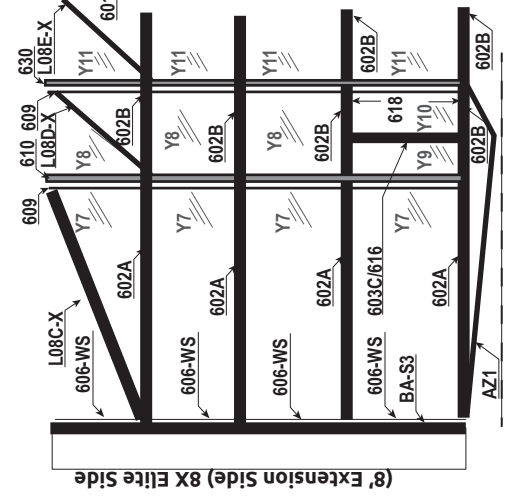
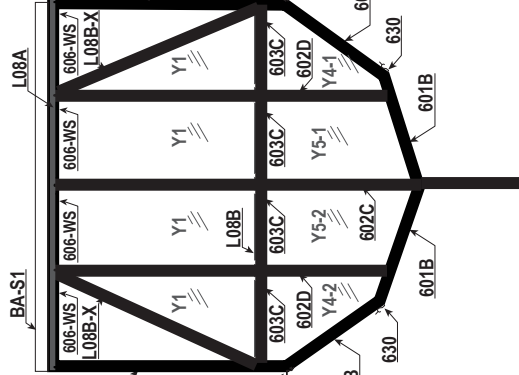
In boxes GRA-ELI-8A and GRA-ELI-8P, the base for 8x8 is all in GRA-BAS-8.

8



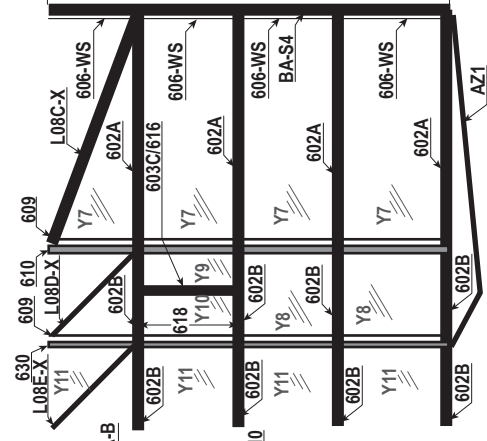
**BACK**

In boxes GRA-ELI-8A and GRA-ELI-8P, the base for 8x8 is all in GRA-BAS-8.

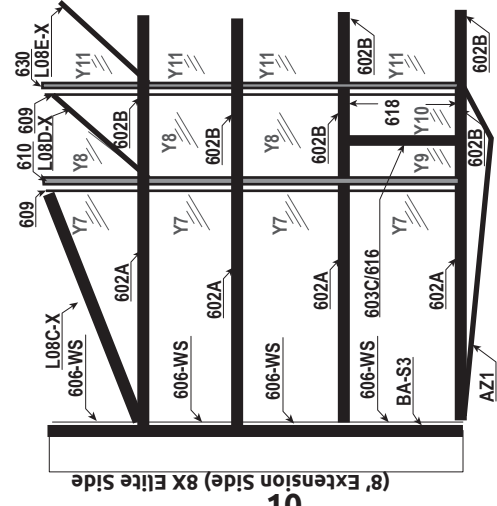


**(8' Extension Side) (GRA-ELI-8XA & GRA-ELI-8XP)**

Elite 8' Side Extension includes Base

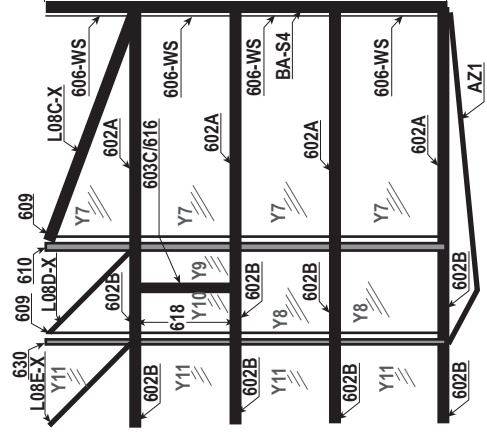


**Outside View**



**(8' Extension Side) (GRA-ELI-8XA & GRA-ELI-8XP)**

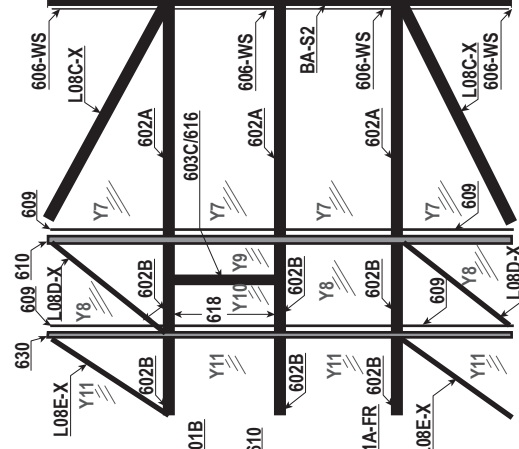
Elite 8' Side Extension includes Base



**DIAGRAM SHOWS THE ASSEMBLED 8X24 GRANDIO ELITE THE BOX CONFIGURATION IS AN ELITE 8X8 PLUS (2) 8 FOOT EXTENSION KITS**

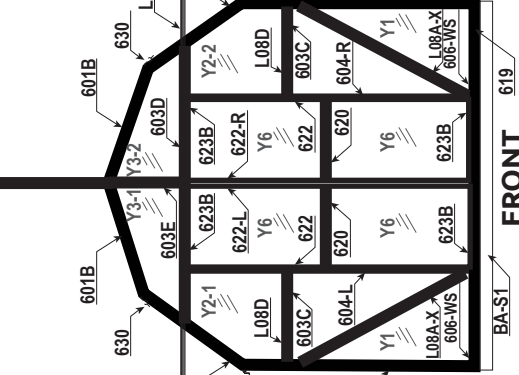
**(8'x8' Original Kit) (GRA-ELI-8A & GRA-ELI-8P & GRA-BA-8)**

8x8 Elite Includes Front, Back, Base, and Sides



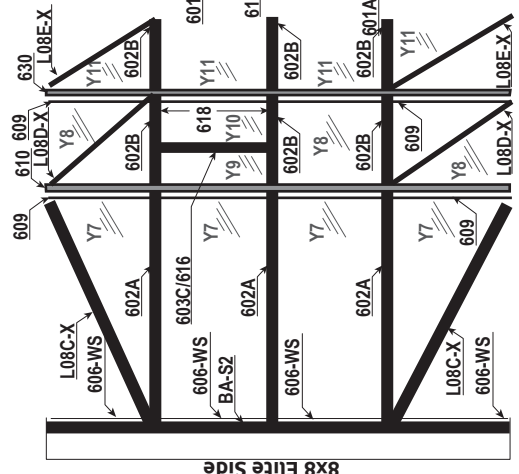
**RIGHT SIDE**

In boxes GRA-ELI-8A and GRA-ELI-8P, the base for 8x8 is all in GRA-BAS-8.



**FRONT**

In boxes GRA-ELI-8A and GRA-ELI-8P, the base for 8x8 is all in GRA-BAS-8.



**LEFT SIDE**

In boxes GRA-ELI-8A and GRA-ELI-8P, the base for 8x8 is all in GRA-BAS-8.

# BASE KIT ASSEMBLY INSTRUCTIONS

## **Pre-Plan The Placement Of Your Structure**

Allow enough room to get a wheel barrow in and around your structure.

Be sure the orientation will allow for proper drainage in and around your greenhouse.

It is recommended that you place your greenhouse in an area of your property that receives the most sunlight but is also somewhat protected by trees, fencing or your home for wind protection and also to keep the temperature up during early spring and late fall.

The best placement depends on the features of your property, it is suggested in most scenarios to have your greenhouse face South on its broadest side and to have the door face East or West depending on typical wind directions in your area. Do not worry if your orientation will not allow for the placement to be as suggested, as a greenhouse that is facing North is better than no greenhouse at all.

Avoid building your greenhouse at the base of a slope as these are often frost pockets where cold air collects, this will not be good for your greenhouse in keeping the temperature up inside.

**Extreme Wind Conditions:** If you live in a windy location there is no way to build a 100% storm safe greenhouse, but there are a number of things you can do to minimize the chance of damage. Ensure that the base is level and square, be sure all panels are tightly in place and that all aluminum extrusions are tight. The main problem is usually that wind gets into the greenhouse and the pressure pushes a panel out and then the force of the wind on the interior causes more damage. It is best if you are expecting an extreme weather event that you disable any auto roof vents and make sure all doors and windows are closed and locked shut. Also you may need to build a wind break for extreme condition areas where wind is constant and extreme.

It is ideal for your greenhouse to have water, electricity and even gas plumbed into place before construction. This will make watering plants and keeping the temperature and air circulation to the max efficiency.

**See pages 19 and 20 for installation methods below**

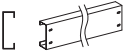

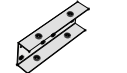
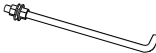
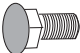

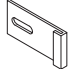
**For Cement Base Installation:** We suggest you use wedge style concrete anchoring bolts to secure your structure.

**For Deck Base Installation:** We recommend you use a set of anchoring bolts to secure your structure.

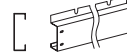

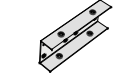
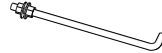

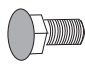

**For Earth Installation:** We recommend you use the anchoring system provided and bury corner posts into the ground and seal into place with quickrete.

# BASE KIT PARTS LIST

**(GRA-BA-8) BASE AND ACCESSORY PACKING LIST  
PARTS WILL BE FOUND IN (GRA-BAS-8) BOX**

GRAPHIC	PART NAME	SIZE/LOCATION	QUANTITY
	BA-S1	97 3/8 in / 2474 mm	2
	BA-S2	94/4 in / 2394 mm	2
	BA-C3	5 7/16 in 138 mm	4
	BA-A1	9 13/16 in / 250 mm	4
	BA-S03	M6*14	28
	BA-M03	NUT	28
	W05	CLIPS	9


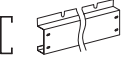
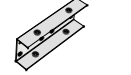
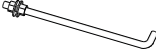

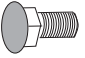

**(GRA-BA-4X) BASE AND ACCESSORY PACKING LIST  
PARTS WILL BE FOUND IN (GRA-ELI-4X) BOX**

GRAPHIC	PART NAME	SIZE/LOCATION	QUANTITY
	BA-S5	46 3/4 in / 1187 mm	1
	BA-S6	46 3/4 in / 1187 mm	1
	BA-C4	8 7/16 in / 214 mm	2
	BA-A1	9 13/16 in / 250 mm	2
	BA-S10	1/2 x 3/4	2
	BA-S03	M6*14	16
	BA-M03	NUT	16

PARTS LIST FOR BASE KIT

# BASE KIT PARTS LIST

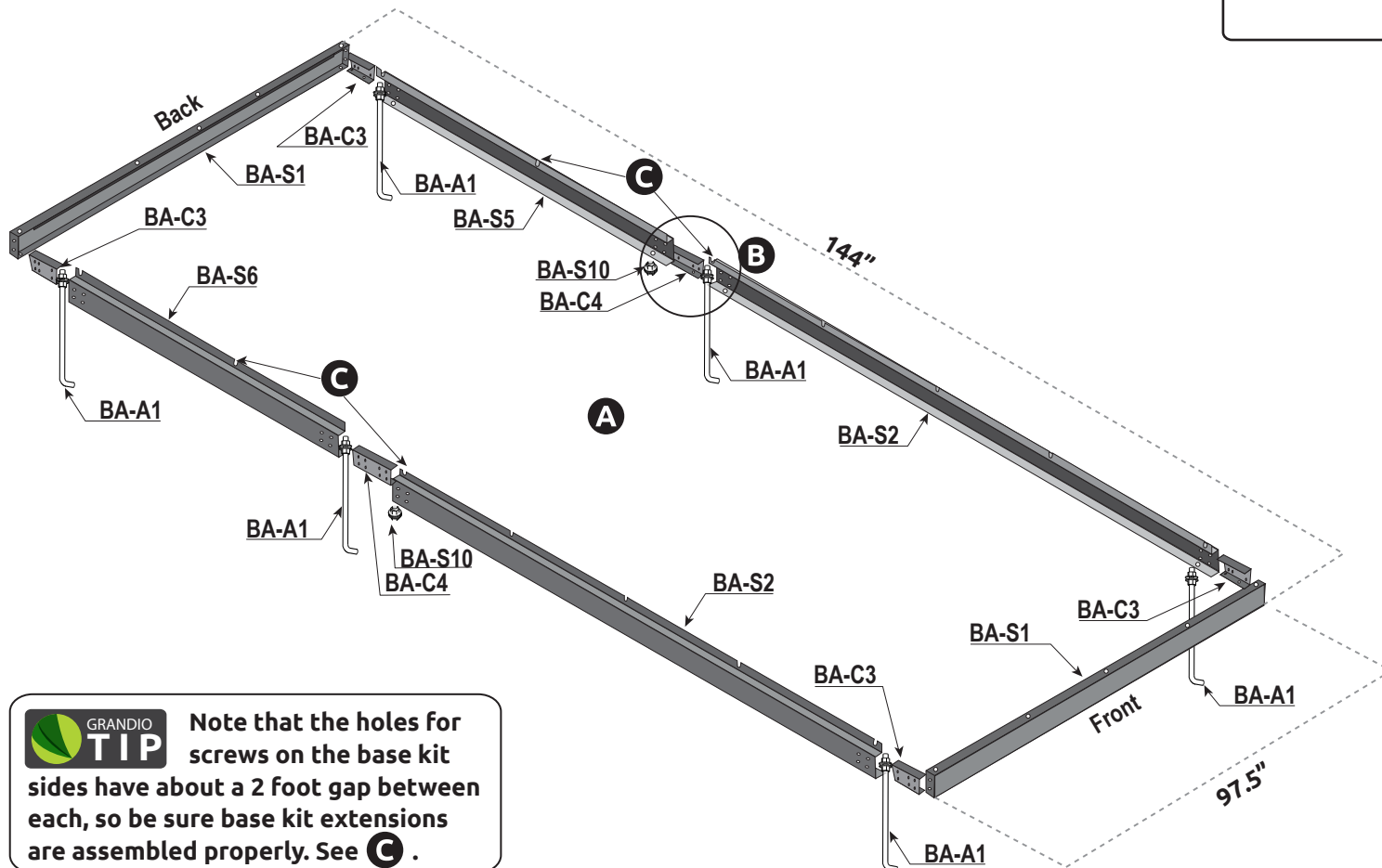
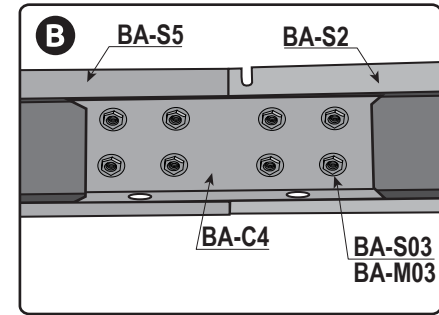
(GRA-BA-8X) BASE AND ACCESSORY PACKING LIST  
PARTS WILL BE FOUND IN (GRA-ELI-8XA) BOX

GRAPHIC	PART NAME	SIZE/LOCATION	QUANTITY
	BA-S3	93 7/16 in / 2374 mm	1
	BA-S4	93 7/16 in / 2374 mm	1
	BA-C4	8 7/16 in / 214 mm	2
	BA-A1	9 13/16 in / 250 mm	2
	BA-S10	1/2 X 3/4	2
	BA-S03	M6*14	16
	BA-M03	NUT	16

# 8x12 BASE KIT ASSEMBLY INSTRUCTIONS (GRA-BA-8) AND (GRA-BA-4X)

**1.1** Layout all base kit pieces to prepare for assembly. Note that one **BA-S1** will be at the front and one **BA-S1** will be at the back and the **BA-S2**'s will be on the sides attaching to the front **BA-S1**. The **BA-S5** and **BA-S6** will attach to the back **BA-S1**, see diagram **A**.

**1.2** Attach the **BA-S2** to the **BA-S5** with the **BA-C4** using the **BA-S03** and **BA-M03**. See **B**. Repeat for other side connecting the **BA-S6** and the **BA-S2**.  
Go to page 18 for the next step.



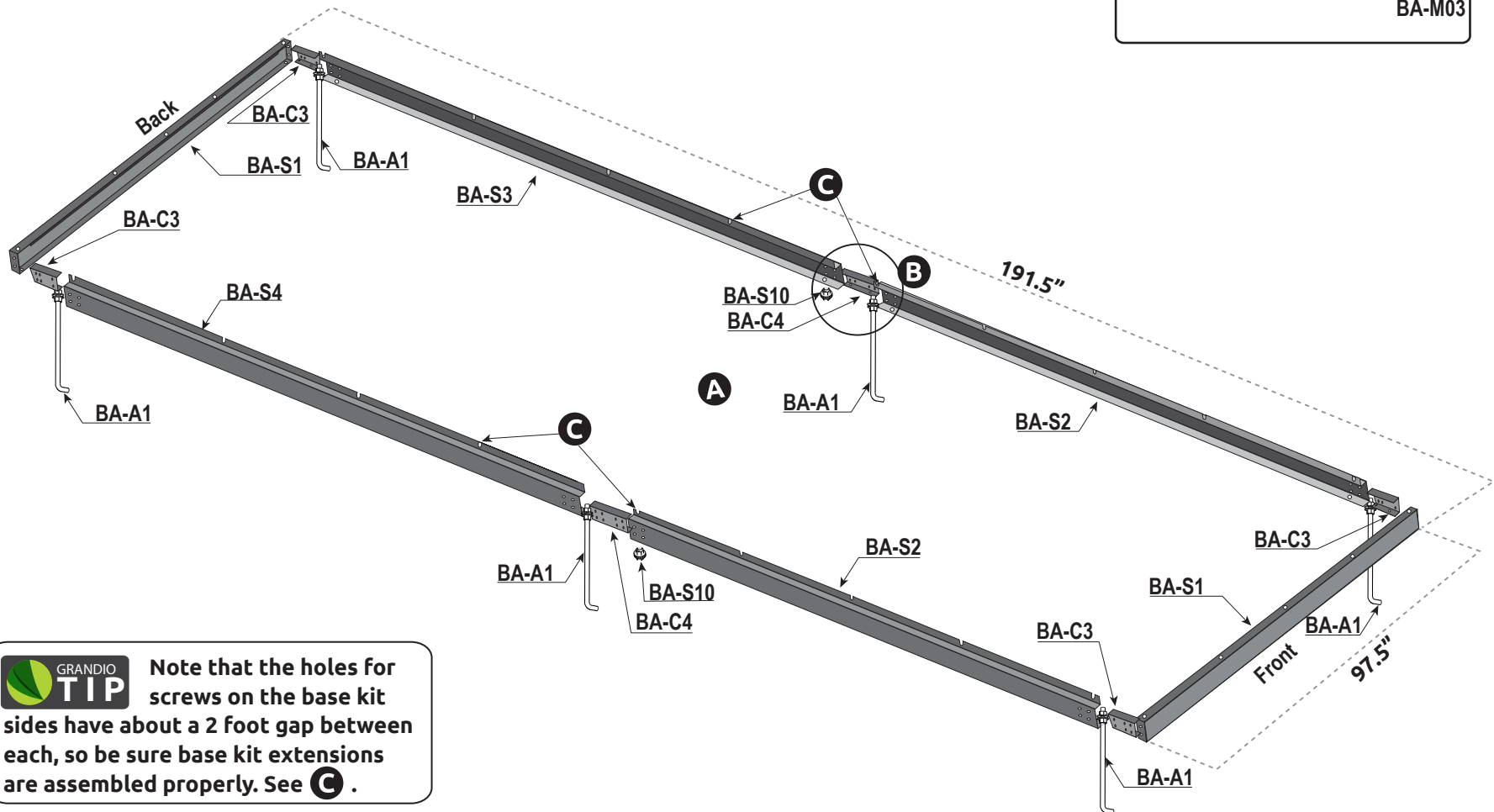
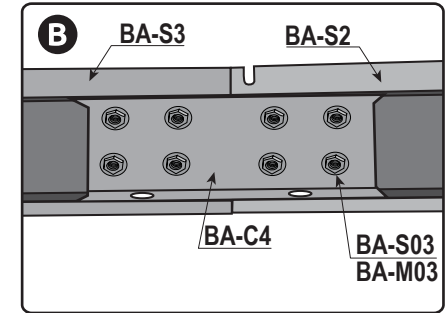
**GRANDIO TIP** Note that the holes for screws on the base kit sides have about a 2 foot gap between each, so be sure base kit extensions are assembled properly. See **C**.



# 8x16 BASE KIT ASSEMBLY INSTRUCTIONS (GRA-BA-8) AND (GRA-BA-8X)

**1.3** Layout all base kit pieces to prepare for assembly. Note that one **BA-S1** will be at the front and **BA-S1** will be at the back and the **BA-S2's** will be on the sides attaching to the front **BA-S1**. The **BA-S3** and **BA-S4** will attach to the back **BA-S1**. See diagram **A**.

**1.4** Attach the **BA-S2** to the **BA-S3** with the **BA-C4** using the **BA-S03** and **BA-M03**. See **B**. Repeat for other side connecting the **BA-S4** and the **BA-S2**.  
Go to page 18 for the next step.



**STEP ONE**



**Note that the holes for screws on the base kit sides have about a 2 foot gap between each, so be sure base kit extensions are assembled properly. See **C**.**

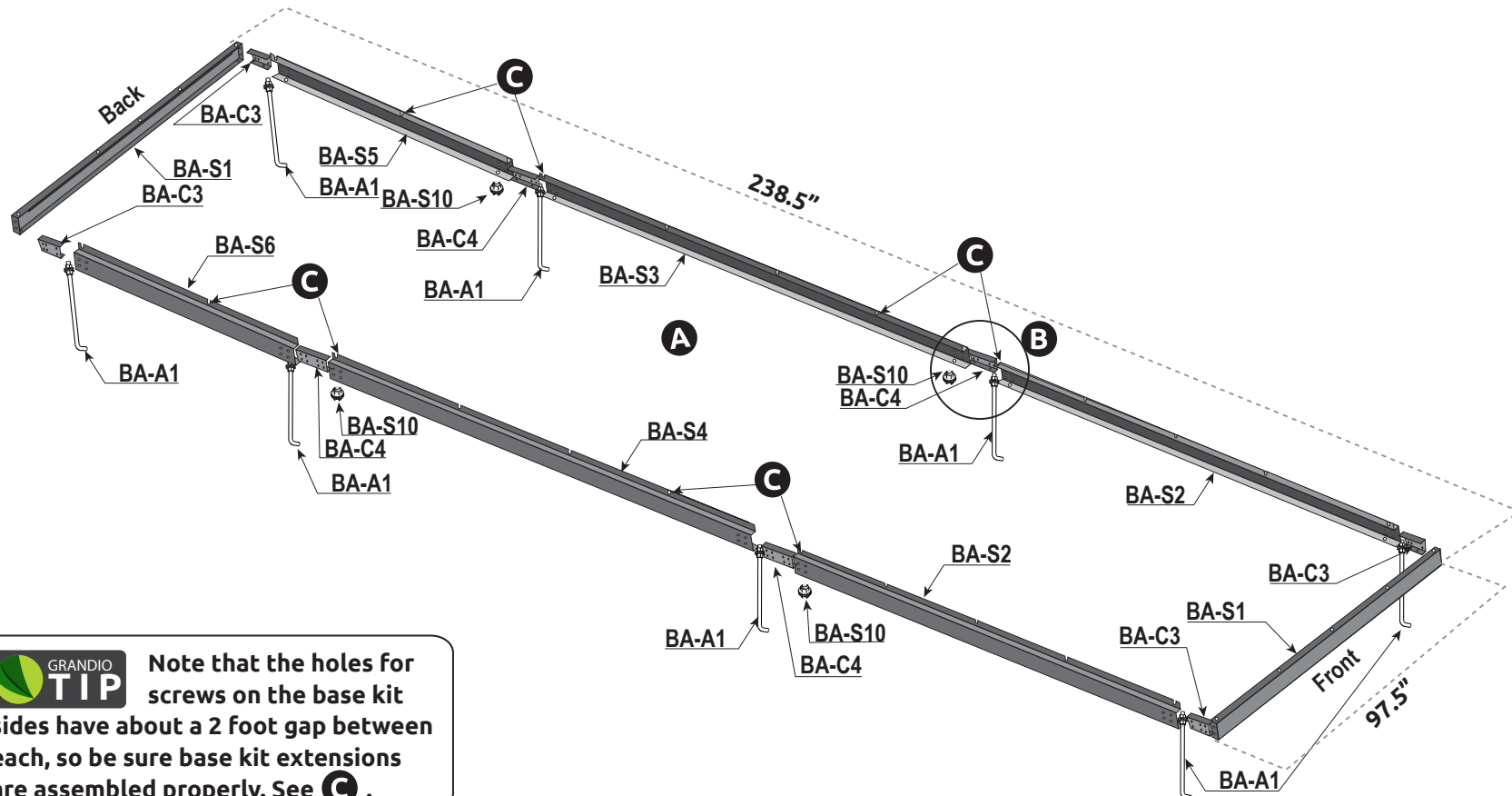
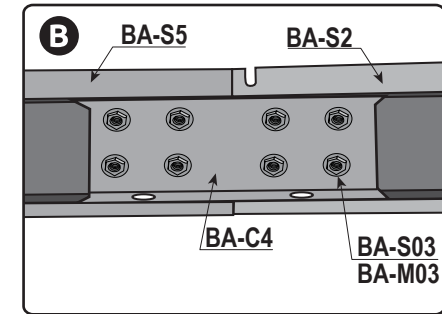
# 8x20 BASE KIT ASSEMBLY INSTRUCTIONS

## (GRA-BA-8) AND (GRA-BA-8X) AND (GRA-BA-4X)

**1.5** Layout all base kit pieces to prepare for assembly. Note that one **BA-S1** will be at the front and one **BA-S1** will be at the back and the **BA-S2**'s will be on the sides attaching to the front **BA-S1**. The **BA-S5** and **BA-S6** will attach to the back **BA-S1**. See diagram **A**.

**1.6** Attach the **BA-S2** to the **BA-S3** with the **BA-C4** using the **BA-S03** and **BA-M03**. See **B**. Repeat for other side connecting the **BA-S4** and the **BA-S2**, then **BA-S3** to **BA-S5** and **BA-S4** to **BA-S6**.

Go to page 18 for the next step.



Note that the holes for screws on the base kit sides have about a 2 foot gap between each, so be sure base kit extensions are assembled properly. See **C**.

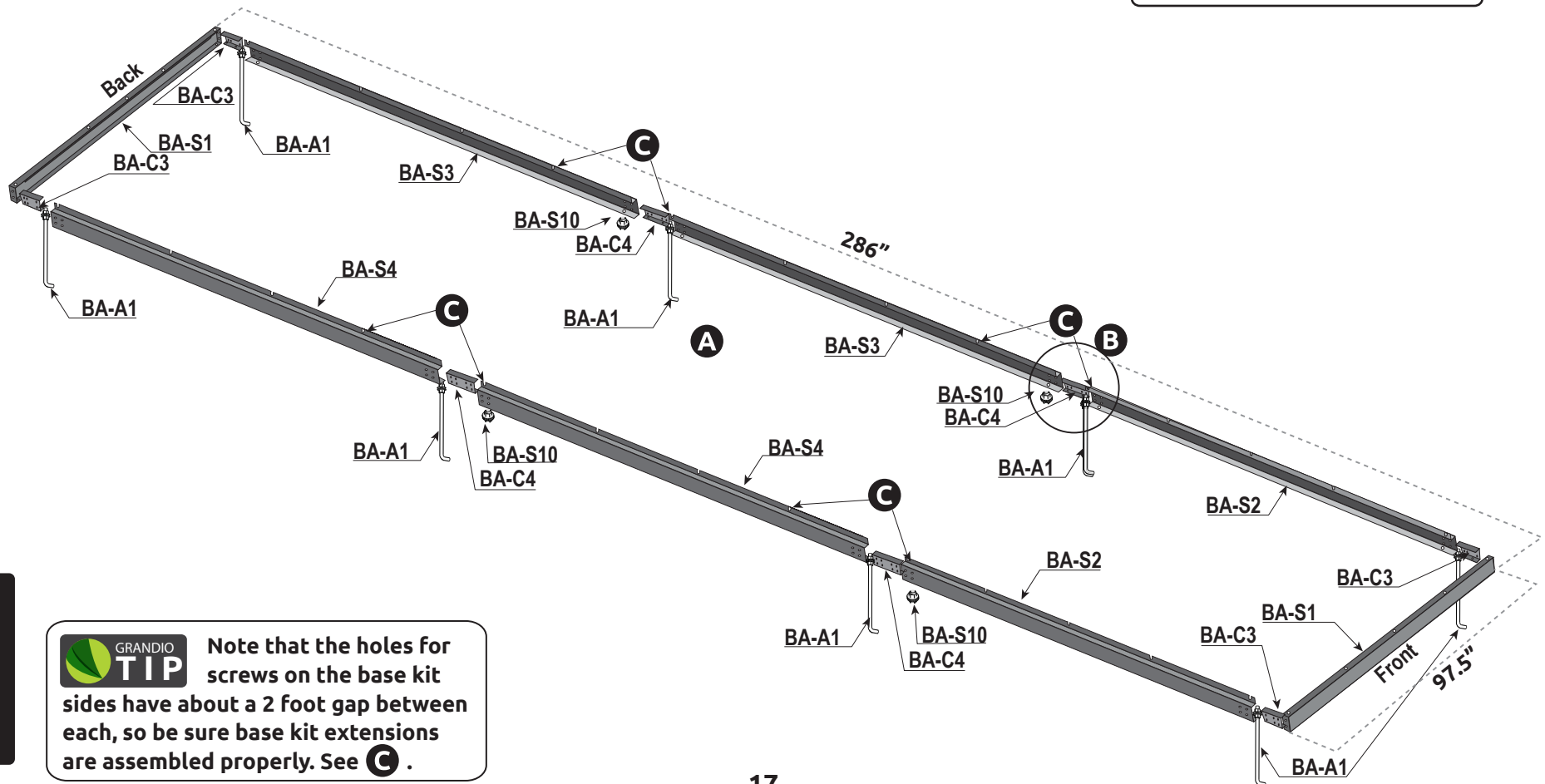
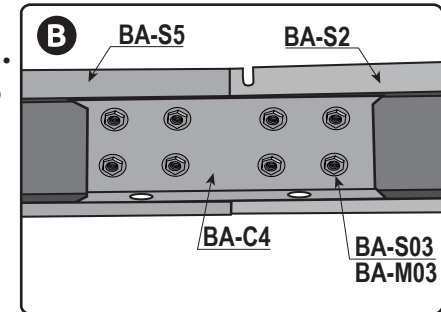
# 8x24 BASE KIT ASSEMBLY INSTRUCTIONS

## (GRA-BA-8) AND (GRA-BA-8X) AND (GRA-BA-8X)

**1.7** Layout all base kit pieces to prepare for assembly. Note that one **BA-S1** will be at the front and one **BA-S1** will be at the back and the **BA-S2**'s will be on the sides attaching to front **BA-S1**. The **BA-S3** and **BA-S4** will attach to the back **BA-S1**. The **BA-S3** will attach to the other **BA-S3** and **BA-S4** will attach to the other **BA-S4**. See diagram **A**.

**1.8** Attach the **BA-S2** to the **BA-S3** with the **BA-C4** using the **BA-S03** and **BA-M03**. See **B**. Repeat for other side connecting the **BA-S4** and the **BA-S2**, and then the **BA-S3** to the **BA-S3**, and then the **BA-S4** to the **BA-S4**.

Go to page 18 for the next step.



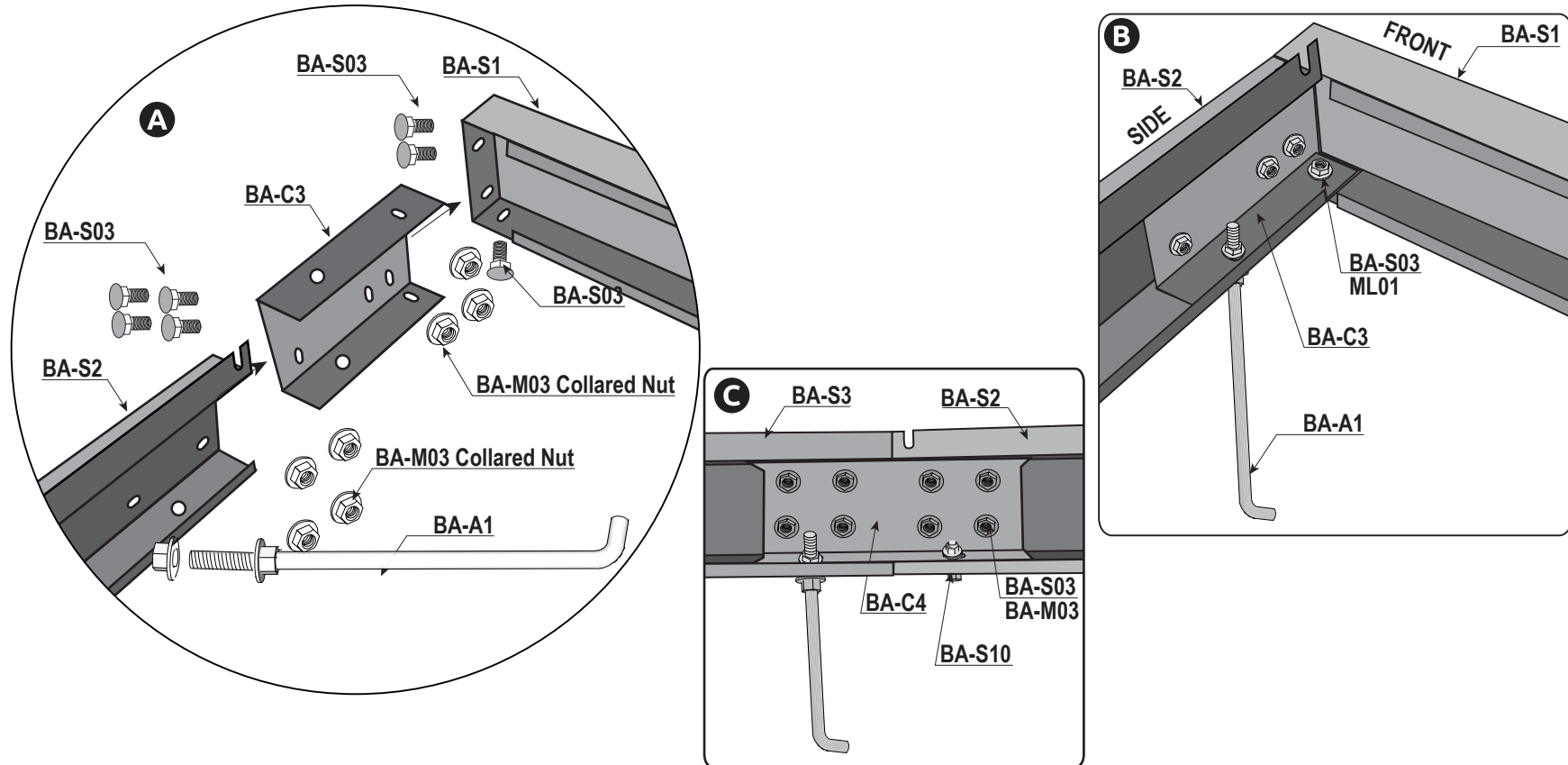
Note that the holes for screws on the base kit sides have about a 2 foot gap between each, so be sure base kit extensions are assembled properly. See **C**.

# BASE KIT ASSEMBLY INSTRUCTIONS

**1.9** Slide the **BA-C3** into the **BA-S1**, slide the **BA-S2** into the **BA-C3**, align the holes and push together to an even and tight position and use the **BA-S03** Bolt and **BA-M03** Collard Nut combo, tighten the collard nut on the inside of the base kit using the 10mm wrench. Repeat this process on all corners. See **A** and **B**.

Note: **BA-S1** will be the front and back, while the **BA-S2**'s will be the sides of your greenhouse base.

**1.10 For Ground Installation only** Insert the **BA-S03** and the **BA-A1** into the holes at the bottom side of the corners of the base, the nut will be tightened on the inside of base. You will install the **BA-A1** and the **BA-S10** in the middle where the extensions meet see **C**. If you are mounting your base kit to a flat mount surface like a deck or cement pad discard the **BA-S10** and **BA-A1**, you will need to purchase a fastener for your installation surface.



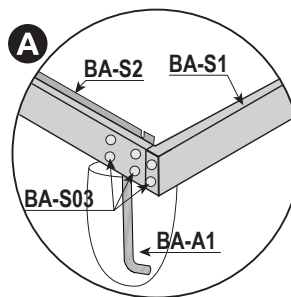
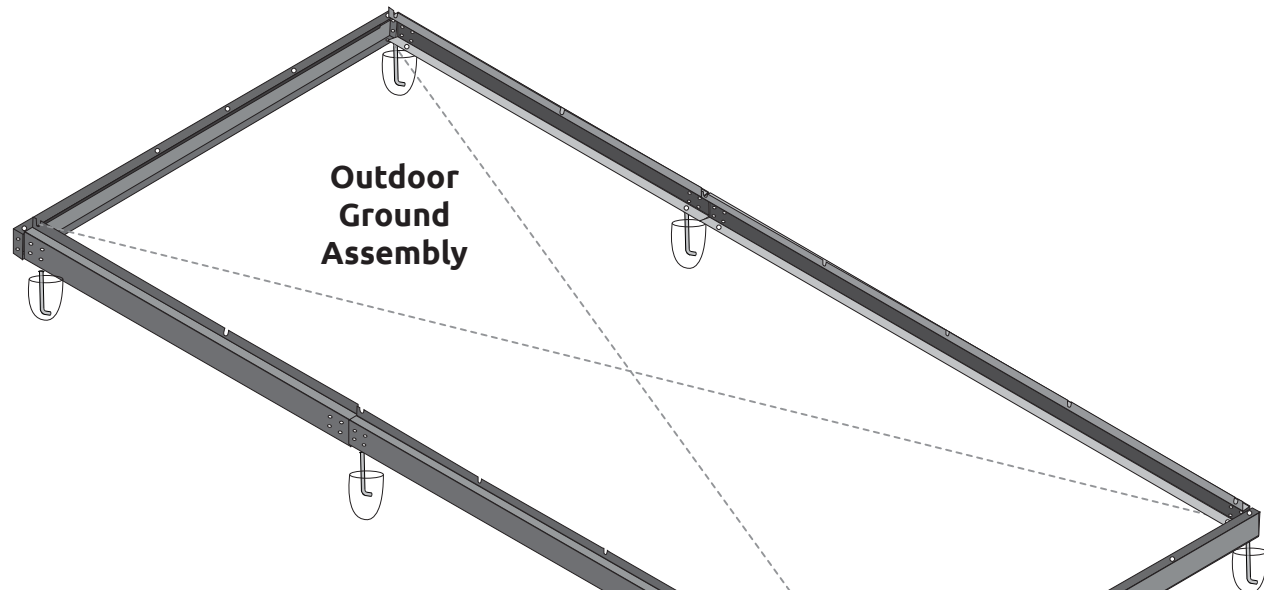
# BASE KIT GROUND INSTALLATION

**\*\*BASE MUST BE LEVEL & SQUARE,  
FOUNDATION MUST BE PROPERLY ANCHORED PRIOR TO GREENHOUSE ASSEMBLY**

## 1.11 BA-A1 must be buried in ground. See **A**.

Dig holes to bury the BA-A1's, you determine size and depth for your location.

**We recommend you use:** Quikrete fast setting concrete to anchor base. Follow the directions on the package.



**A** **BA-A1** \* Must be inserted into the ground, and secured with concrete.



**GRANDIO TIP**

Make sure base is squared and level before setting anchor into concrete. Use a measuring tape to ensure all corners are the same. Use level on all four sides.

**STEP ONE**

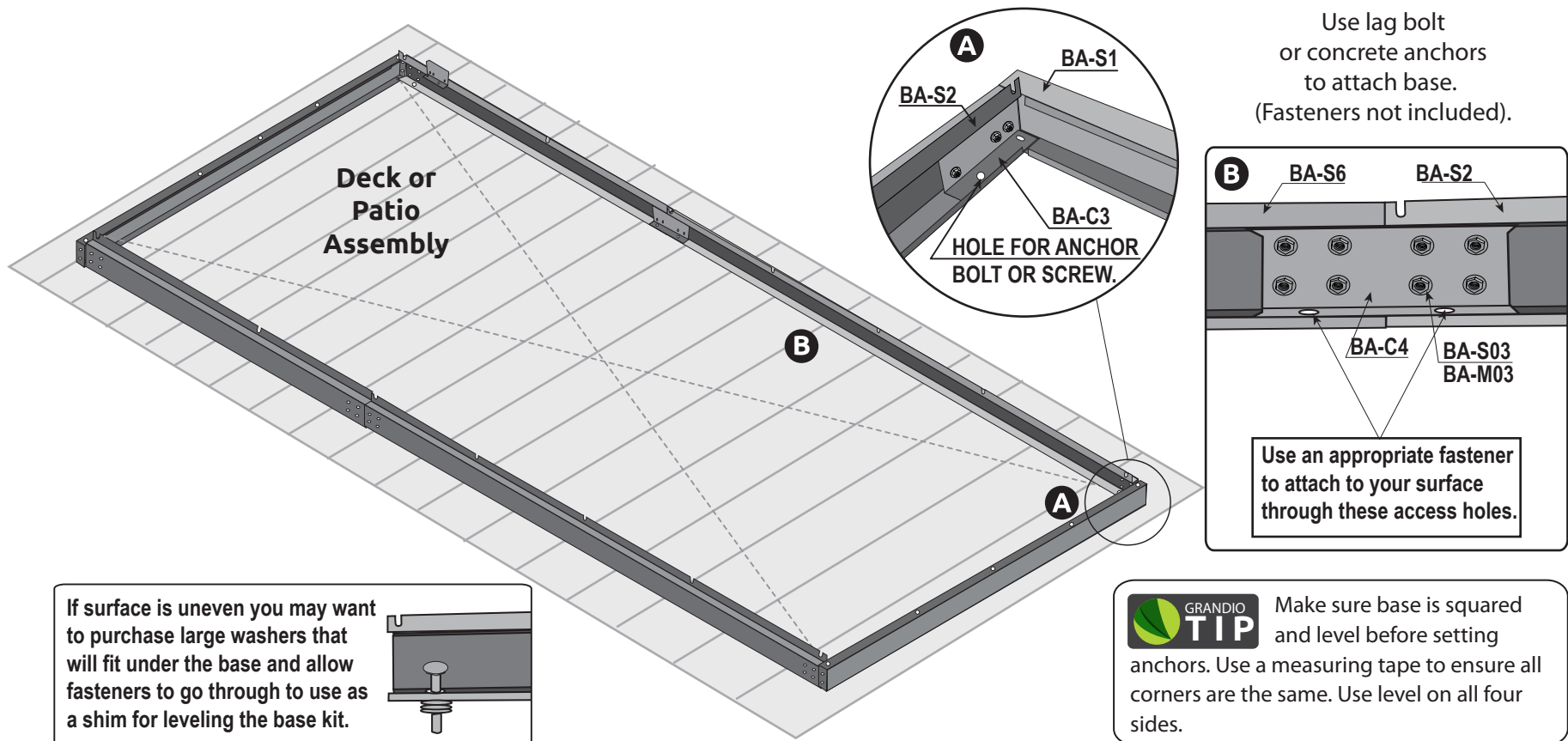
# BASE KIT DECK INSTALLATION

**\*\*BASE MUST BE LEVEL & SQUARE,  
FOUNDATION MUST BE PROPERLY ANCHORED PRIOR TO GREENHOUSE ASSEMBLY**

**1.12 Holes are present in base kit for anchoring bolts see **A** and **B**.**

You determine and acquire proper fastener prior to installation for your surface.

**Discard the BA-A1 and BA-S10 for deck or cement pad installation.**



# FRONT FRAME ASSEMBLY INSTRUCTIONS

ALWAYS ASSEMBLE FRONT HORIZONTAL

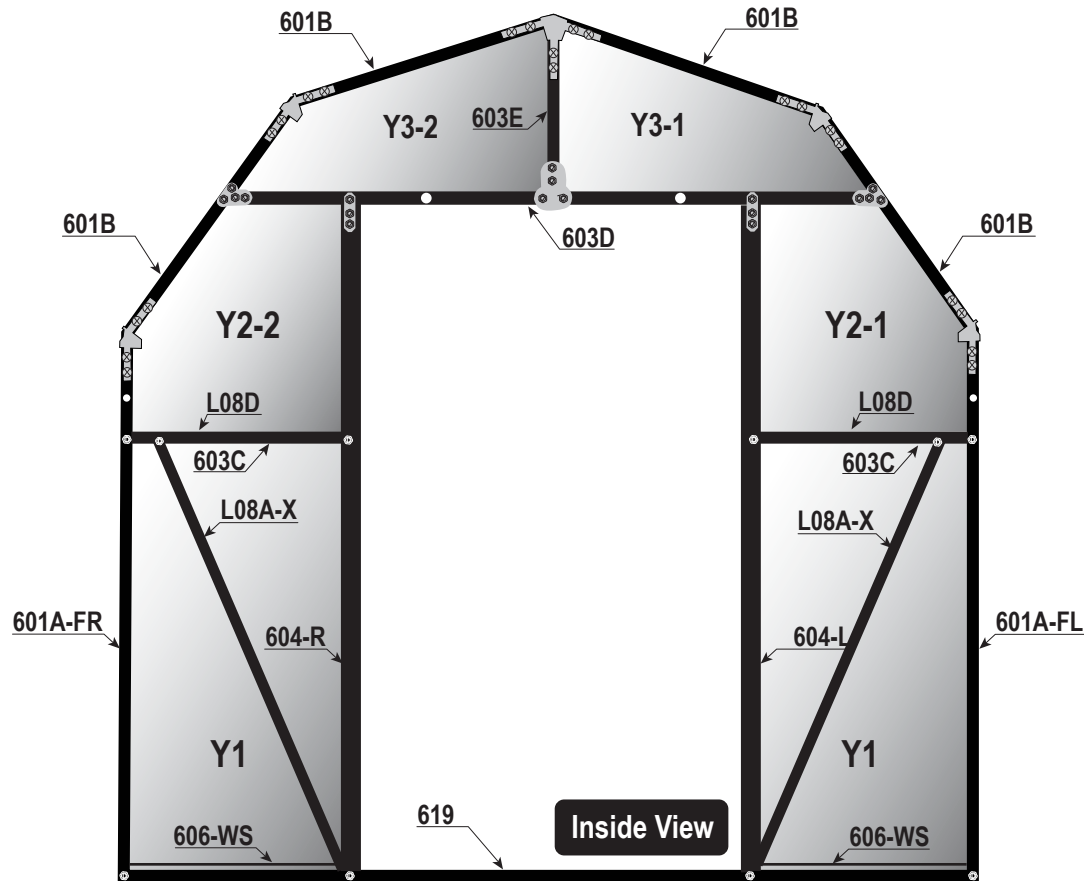
This picture shows the inside view of front section fully assembled.

All parts for front assembly will be found in box GRA-ELI-8A and GRA-ELI-8P.

We recommend that you assemble the front on a tarp.

\* If you purchased the Back Door Transformation kit you will repeat this section for your back wall using parts found in GRA-ELI-8A & GRA-ELI-BD boxes.

If you want to purchase the Back Door Transformation kit call 1-866-448-8231.

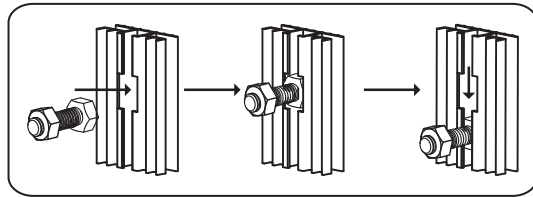


STEP TWO

**GRANDIO TIP** We recommend watching our how to assembly videos with tricks and tips for easier assembly and installation of your Grandio Greenhouse at: [www.grandiogreenhouses.com](http://www.grandiogreenhouses.com)

**GRANDIO TIP** Lay flat on ground to assemble the front frame of your greenhouse. If possible try to find a shady area protected from the wind. Panels can burn grass and plants if in direct light.

**GRANDIO TIP BOLT INSTALLATION TIP:** Locate all nuts and bolts, pre thread and place in the groove of the extrusion to make installation easier. Move up or down for exact placement.





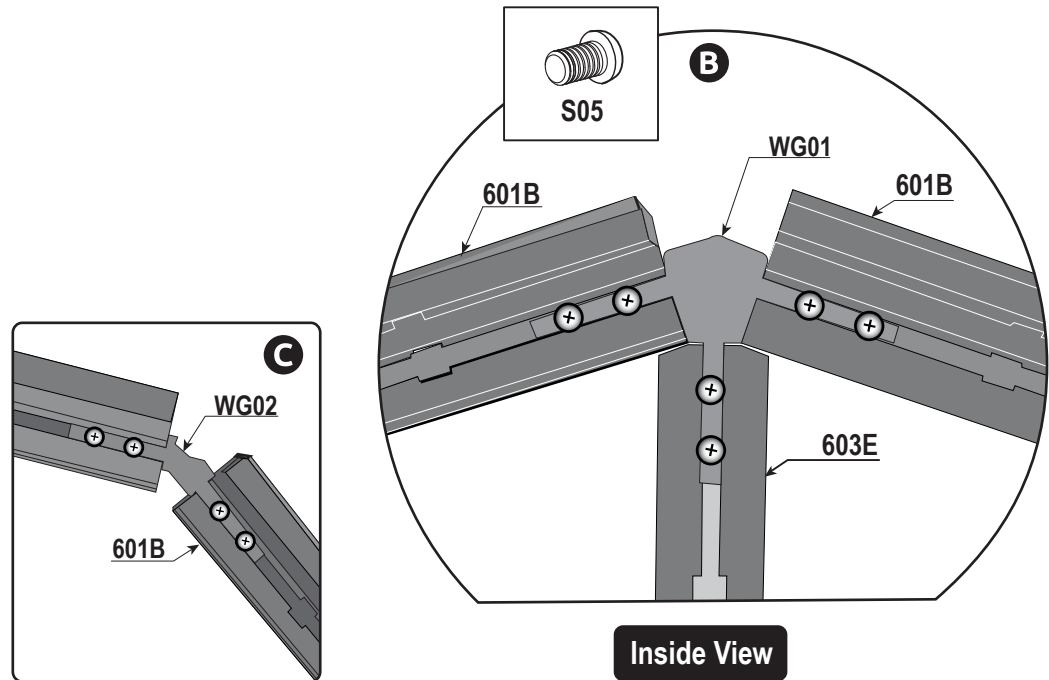
# FRONT FRAME ASSEMBLY CONTINUED

## ALWAYS ASSEMBLE FRONT HORIZONTAL

**2.1** Prethread all **S05** screws into the **WG01** and **WG02's** for ease of installation, see **A** only turn **S05** a few turns.

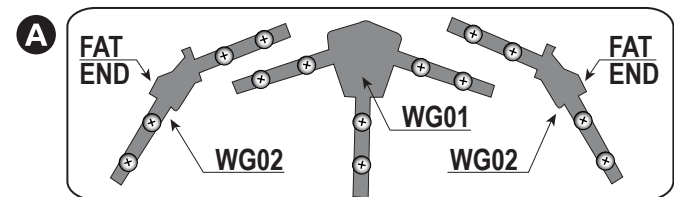
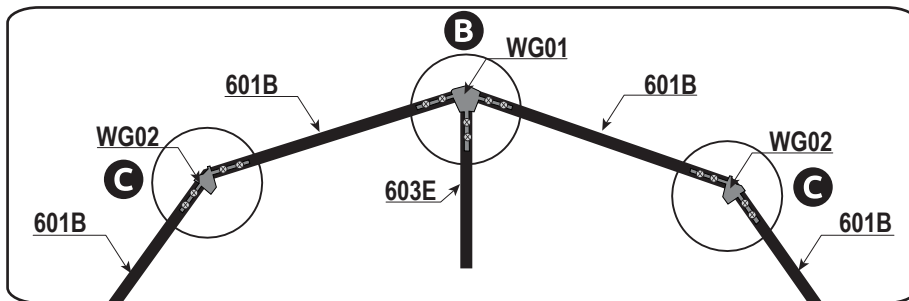
**2.2** Use **WG01** bracket to attach the (2) **601B's** together with the **603E**, secure parts with the **S05** screws provided see **B**. The **WG01** will slide into the groove of the **601B's**, and also slide into the groove of the **603E**, screw head will remain outside channel.

**2.3** Install **WG02's** into (2) **601B's** then tighten **S05** screws when extrusions are completely tight see **C**. Note: the fat end of the **WG02** will always be on the bottom side see **A**.



**▲ IMPORTANT: Use only S05 Screws, other screws may damage frame. ▲**

**GRANDIO TIP** **PRETHREAD SCREWS TIP:** Locate all **WG01**, **WG02**, and **S05** screws, pre thread these to make installation easier. Note that the fat end on the **WG02** will always face downward.



**STEP TWO**

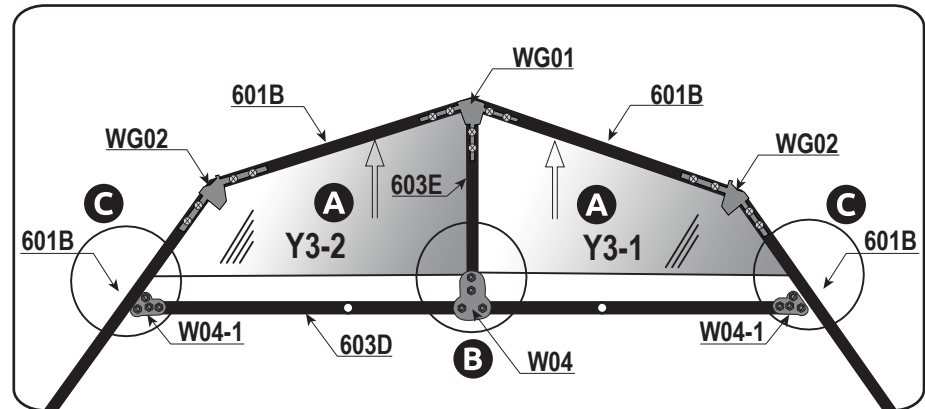
# FRONT FRAME ASSEMBLY CONTINUED

## ALWAYS ASSEMBLE FRONT HORIZONTAL

**2.4** Insert polycarbonate panels **Y3-2** and **Y3-1** into place as shown in **(A)**.

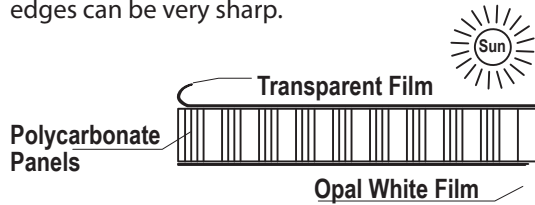
**2.5** Attach **603E** and **603D** with **W04** and **S04/ML01** fasteners as shown in **(B)**.

**2.6** Attach the **603D** to the **601B**'s using the **W04-1**'s with the **S04/ML01** fasteners on both sides as shown in **(C)**.

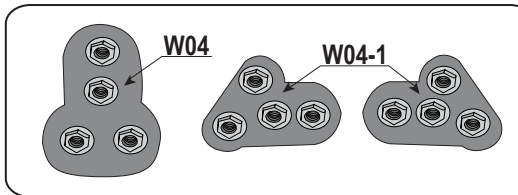
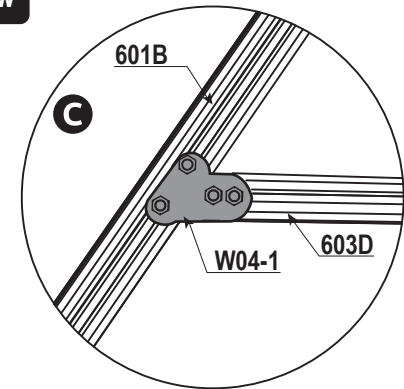
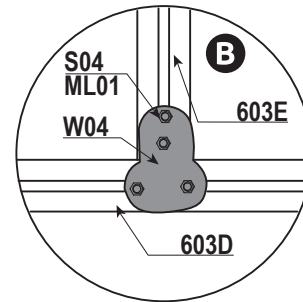


### ⚠ IMPORTANT: POLYCARBONATE PANELS ⚠

The UV-Protected side is covered with transparent film and must face toward the sun. The side covered in white film will always face the interior of the greenhouse. We suggest you peel all film off completely prior to assembly and use a permanent marker to place a small "X" on the lower right corner of each panel on the transparent side that faces the sun, each panel has a sticker labeling the panel number and this side always faces the sun or outward as well. **DO NOT REMOVE LABELS UNTIL YOU INSTALL PANELS.** The "X" is suggested in case you dis-assemble your greenhouse in the future so you may identify which side has the UV coating. Always use gloves when handling the polycarbonate panels as the edges can be very sharp.



### Inside View



### BOLT INSTALLATION TIP:

Locate **ML01/S04** nuts and screws, loosely pre thread into the **W04** and **W04-1**'s and place in the groove of the extrusion to make installation easier.

# FRONT FRAME ASSEMBLY CONTINUED

## ALWAYS ASSEMBLE FRONT HORIZONTAL

**2.7** View diagrams and attach the (2) **604's** and (2) **601A's** to the **619**. Note the orientation of the **604's**, there are 4 different **601A's** (2) for the front and (2) for the back with different hole placements. The large holes should be at the top and facing forward on the front frame assembly. See diagram on this page. The **601-FR** and the **601-FL** will have a hole at the top side and will face forward.

**A** shows where the corner pieces attach to **619**.

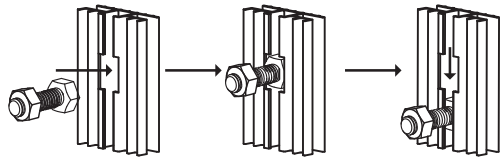
**B** shows where the door frame attaches to the **619**.

\*If assembling the back door you will need to drill 1/4 inch holes in **601-B's** to match the front wall, these holes should face the ground during assembly.

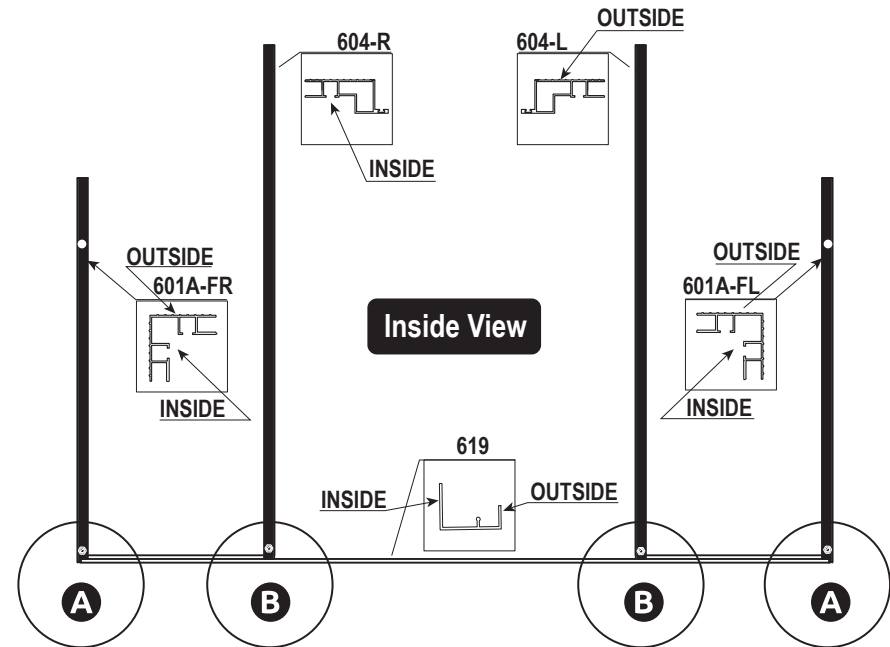


### BOLT INSTALLATION TIP:

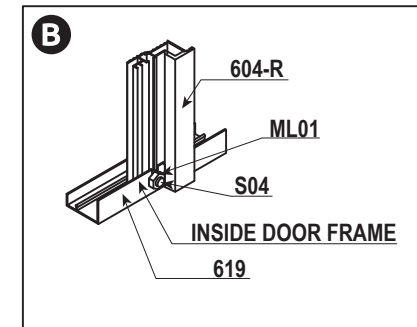
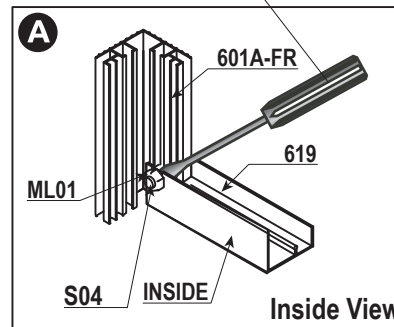
Locate all nuts and bolts, pre thread and place in the groove of the extrusion to make installation easier. Move up or down for exact placement.



Make sure the hole on the **601A-FL** and **601A-FR** face to the front of greenhouse for future install of the **L21** and **L28** bracket that holds the door header in place.



**TIP:** If necessary you may use a screwdriver to wedge behind the bolt head. This prevents bolt from falling into the track.



STEP TWO

# FRONT FRAME ASSEMBLY CONTINUED

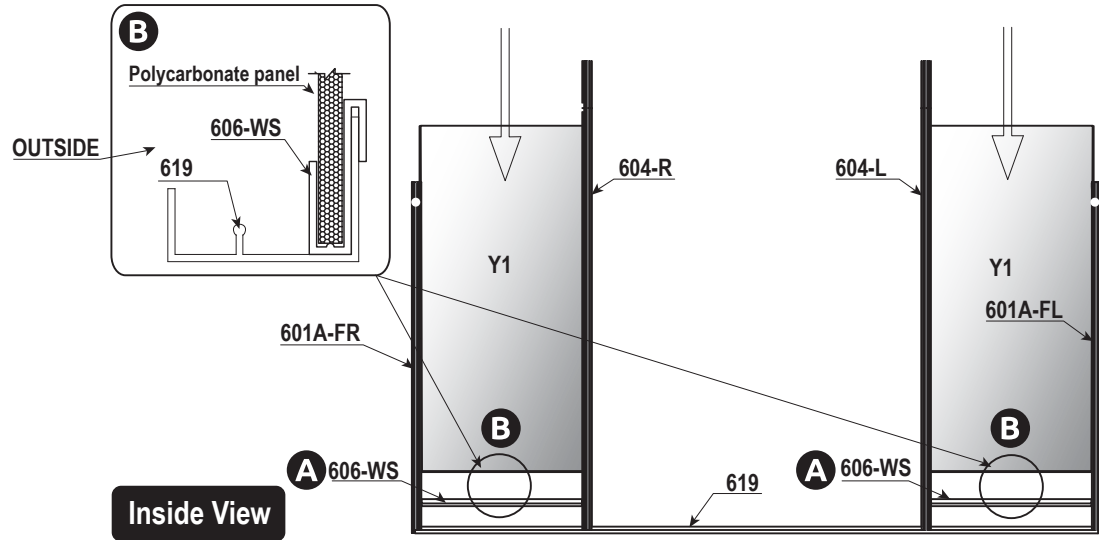
ALWAYS ASSEMBLE FRONT HORIZONTAL

**2.8** Attach **606-WS** to **619**, this will hold the polycarbonate panels in place. If it seems too tight slide fingers or nut driver along edges, gently stretching the **606-WS** to allow room for panels to fit **A**.

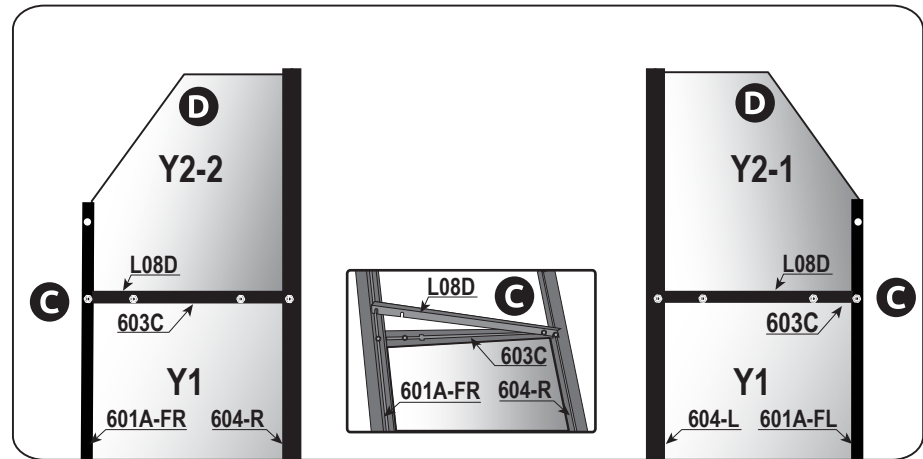
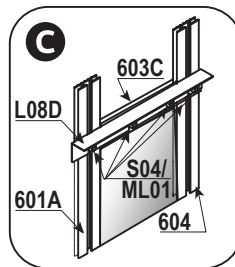
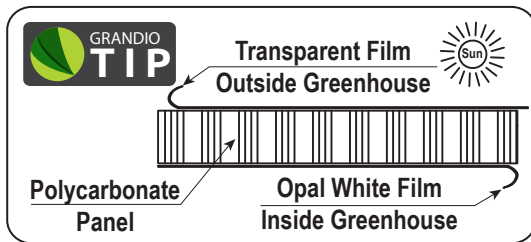
**2.9** Insert **Y1** polycarbonate panels into place, make sure **Y1**'s slide completely into **606-WS** as shown in **B**.

**2.10** Set (2) **603C**'s atop the **Y1** panels, then attach (2) **L08D**'s to the **603C**'s, **601A**'s and **604**'s using **S04/ML01** fasteners, make sure it is snug with the tops of the **Y1** panels, then tighten fasteners. See **C**.

**2.11** Insert the **Y2-2** and **Y2-1** polycarbonate panels as shown in **D**.



STEP TWO

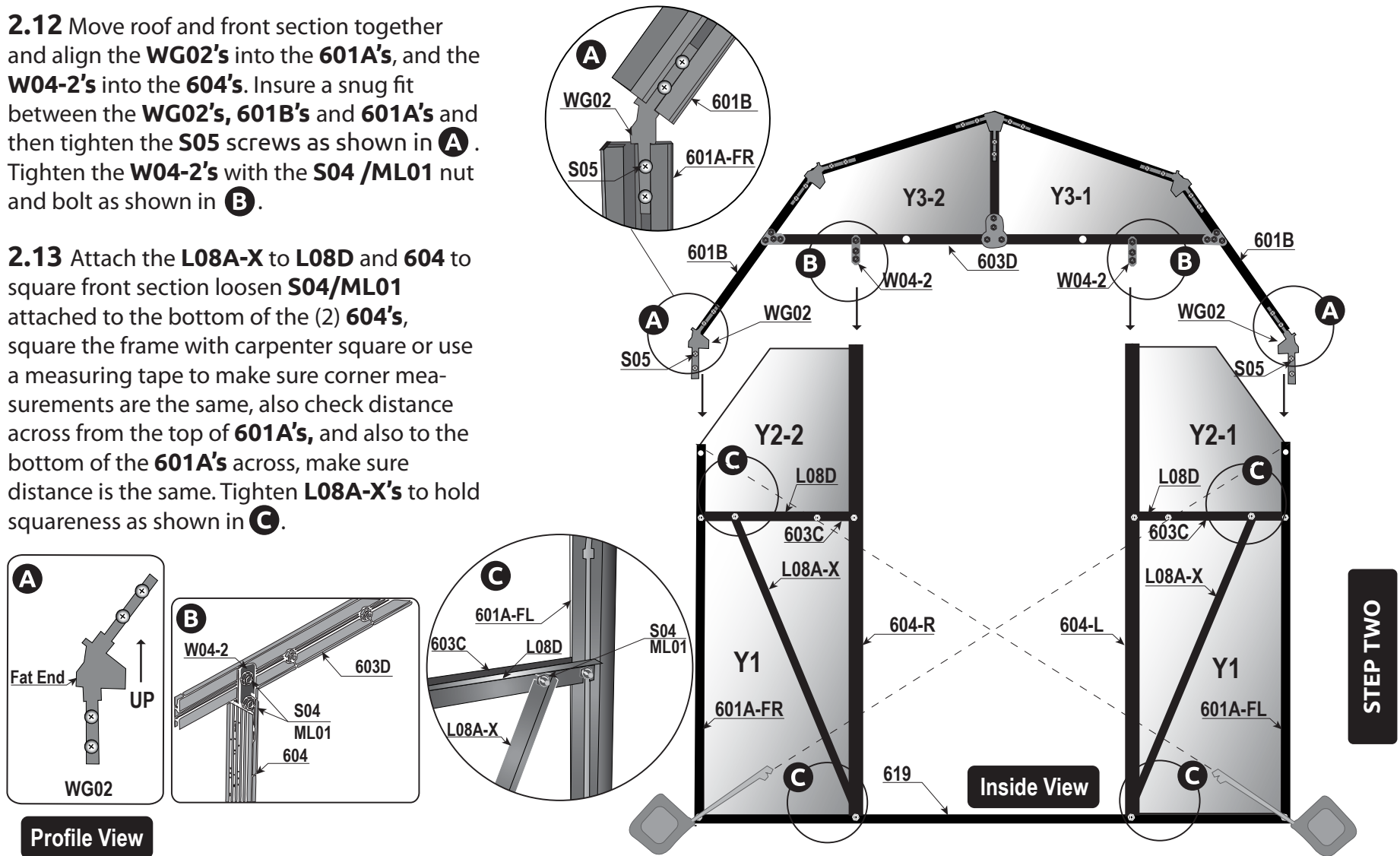


# FRONT FRAME ASSEMBLY CONTINUED

## ALWAYS ASSEMBLE FRONT HORIZONTAL

**2.12** Move roof and front section together and align the **WG02's** into the **601A's**, and the **W04-2's** into the **604's**. Insure a snug fit between the **WG02's**, **601B's** and **601A's** and then tighten the **S05** screws as shown in **(A)**. Tighten the **W04-2's** with the **S04 /ML01** nut and bolt as shown in **(B)**.

**2.13** Attach the **L08A-X** to **L08D** and **604** to square front section loosen **S04/ML01** attached to the bottom of the (2) **604's**, square the frame with carpenter square or use a measuring tape to make sure corner measurements are the same, also check distance across from the top of **601A's**, and also to the bottom of the **601A's** across, make sure distance is the same. Tighten **L08A-X's** to hold squareness as shown in **(C)**.

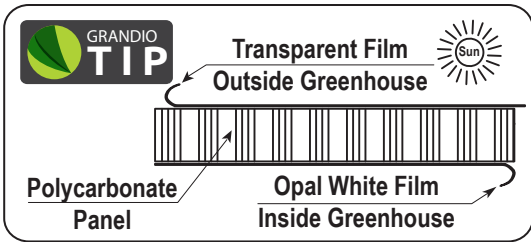


# BACK ASSEMBLY INSTRUCTIONS

ALWAYS ASSEMBLE BACK HORIZONTAL

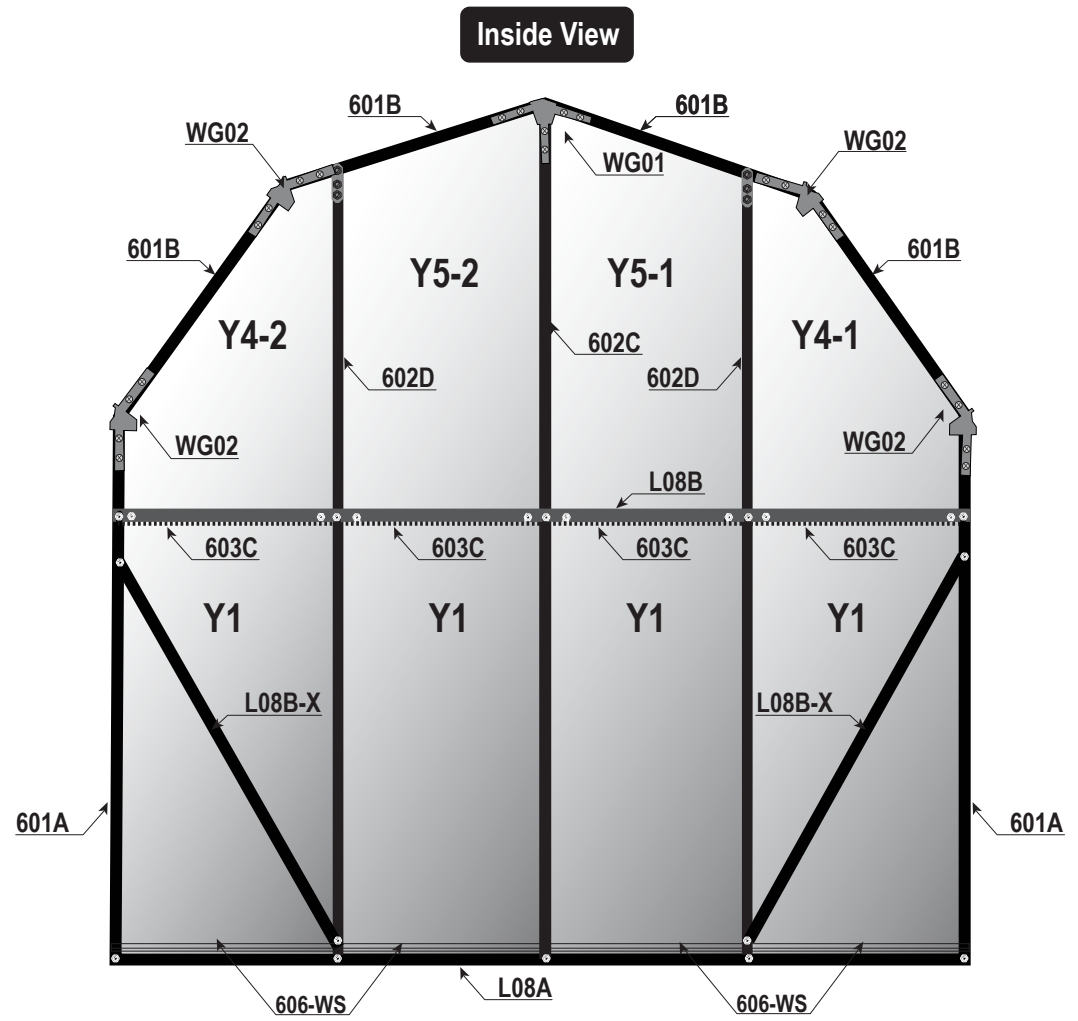
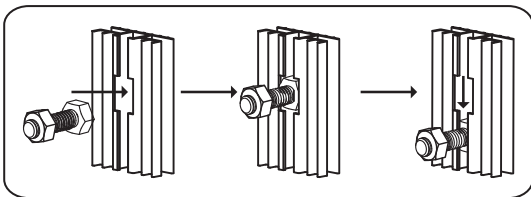
This image shows the inside view of the back wall assembly.  
 All parts for back assembly will be found in box GRA-ELI-8A and GRA-ELI-8P.  
 We recommend that you assemble the back wall on a tarp.  
 \* If you are using the Back Door Transformation Kit you will skip this section.

STEP THREE



**GRANDIO TIP** Make sure the UV coated side of the panel faces outward as indicated on the panels. Avoid placing the polycarbonate panels in the sun or near plants until fully assembled.

**GRANDIO TIP BOLT INSTALLATION TIP:** Locate all nuts and bolts, pre thread and place in the groove of the extrusion to make installation easier. Move up or down for exact placement.



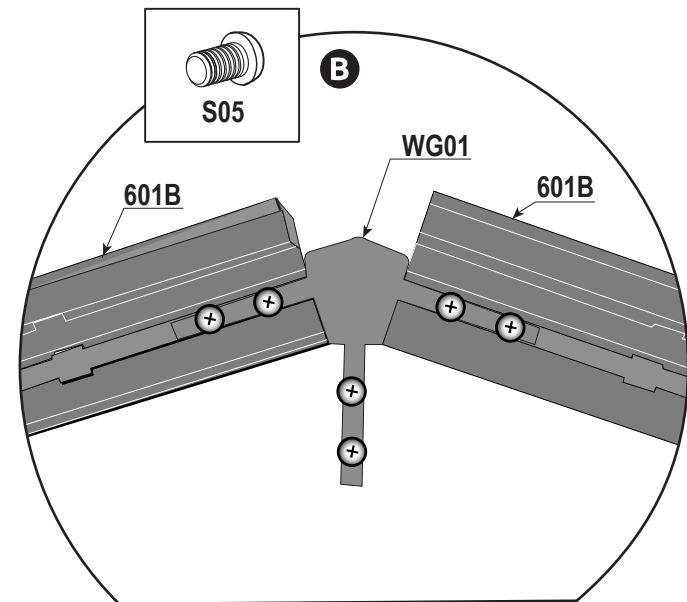
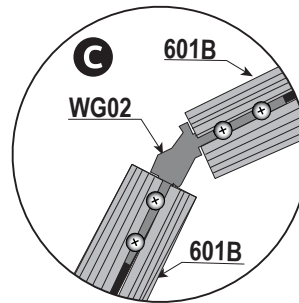
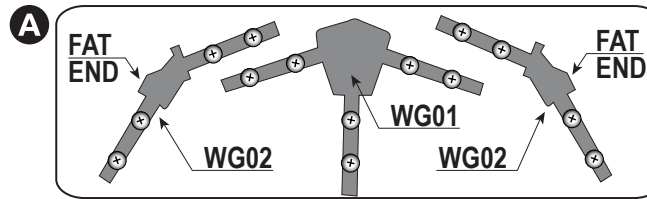
# BACK CONTINUED

## ALWAYS ASSEMBLE BACK HORIZONTAL

**3.1** Prethread all **S05** screws into the **WG01** and **WG02**, see **A**.

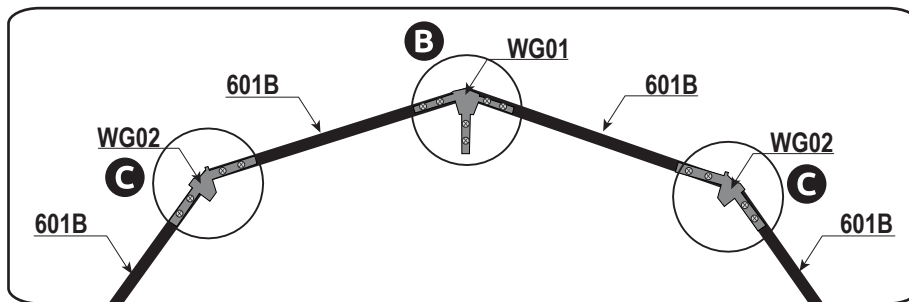
**3.2** Use the **WG01** bracket to attach the (2) **601B**'s together, secure parts by sliding the **WG01** into the **601B**'s as shown in diagram **B**.

**3.3** Install **WG02**'s to connect (2) **601B**'s when firmly placed between the extrusions tighten the **S05** screws, see **C**.



STEP THREE

**⚠ IMPORTANT: Be careful moving or you may bend bracket. ⚠**



Inside View

**GRANDIO TIP** **PRETHREAD SCREWS TIP:** Locate all **WG01**, **WG02**, and **S05** screws, loosely pre thread these to make installation easier. Note that the fat end on the **WG02** will always face down.



# BACK CONTINUED

ALWAYS ASSEMBLE BACK HORIZONTAL

**3.4** Attach (2) **601A-B's** to **L08A** using **S04/ML01** fastener as shown in diagram **A**.

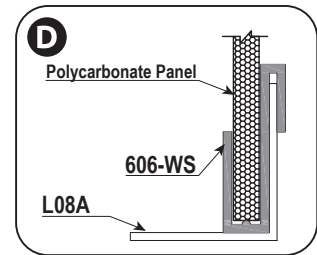
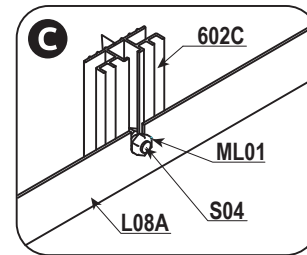
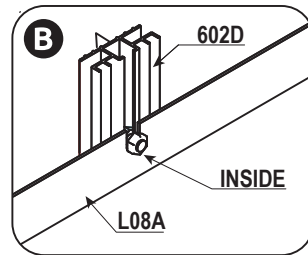
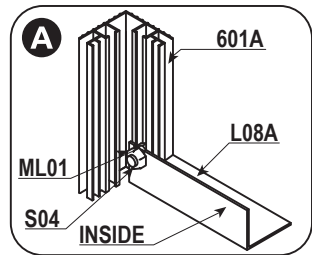
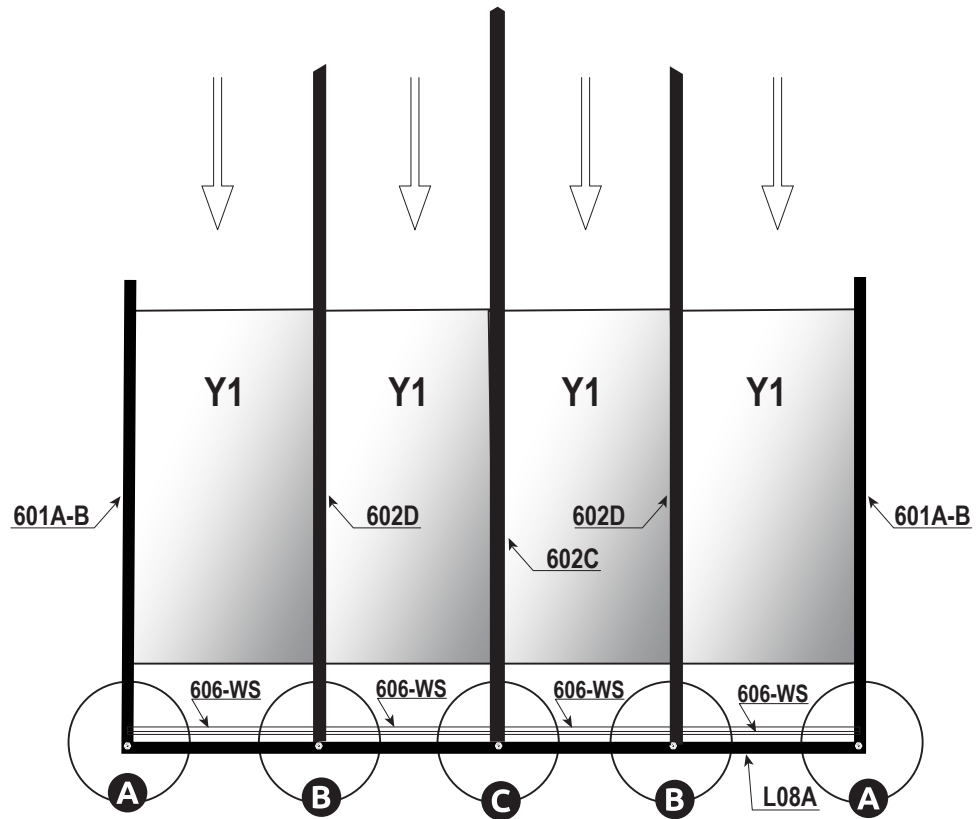
Attach (2) **602D's** to **L08A** using **S04/ML01** fasteners as shown in diagram **B**.

Attach **602C** to **L08A** using **S04/ML01** fastener as shown in diagram **C**.

**3.5** Attach the (4) **606-WS's** to the **L08A** as shown in **D**.

**3.6** Insert the **Y1** polycarbonate panels into the grooves of **601A**, **602D** and **602C**. Make sure **Y1** panels are inserted into **606-WS** as shown in **D**. You may need to use a screwdriver to gently open the **606-WS** to fit the polycarbonate panels into the groove of **606-WS**.

STEP THREE



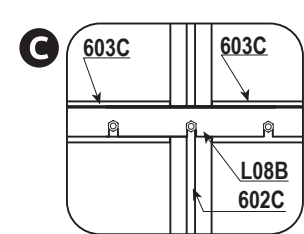
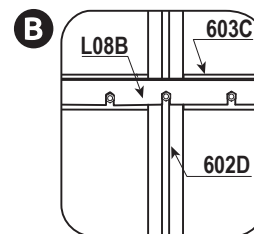
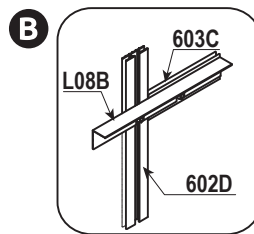
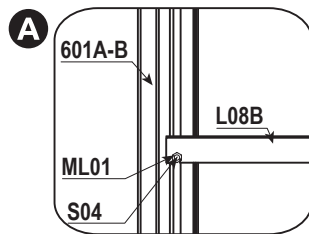
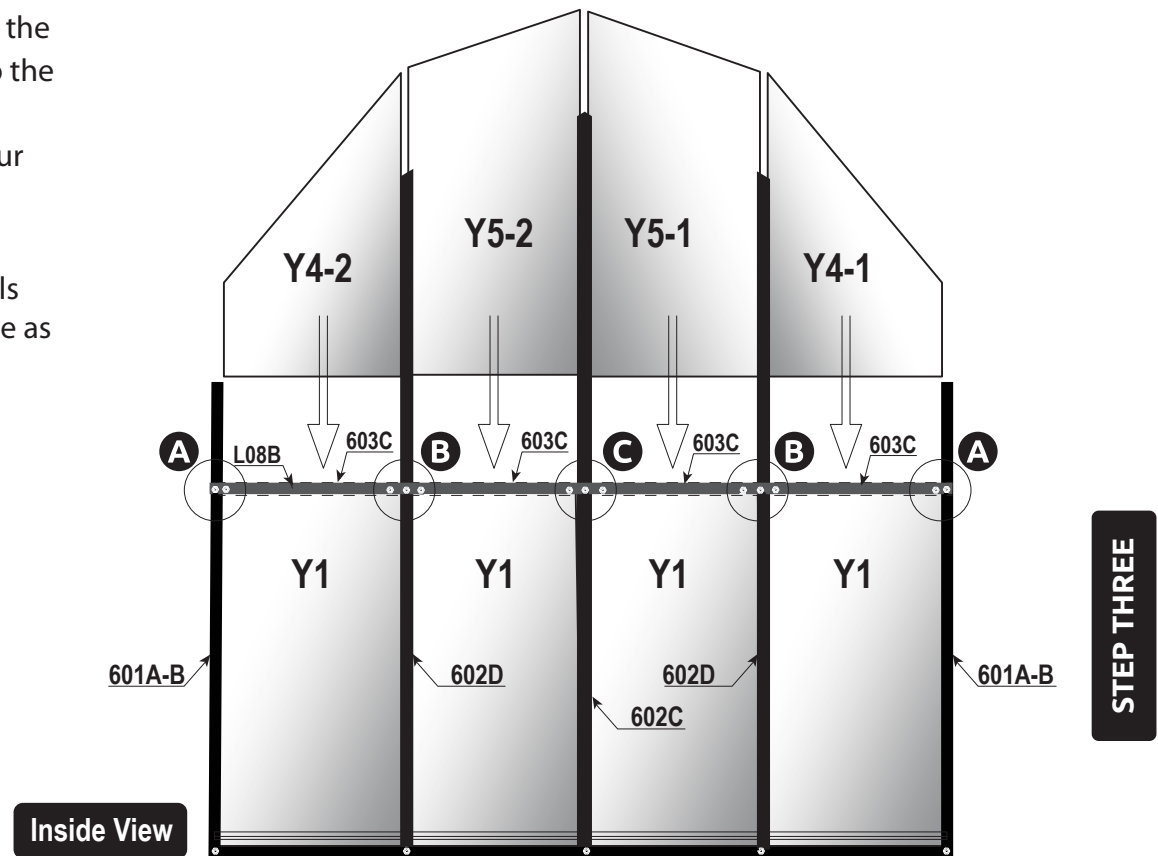
# BACK CONTINUED

ALWAYS ASSEMBLE BACK HORIZONTAL

**3.7** Set (4) **603C**'s atop each **Y-1** panel, then align the pre threaded **S04-ML01** fasteners in each **603C** to the **L08B** and to each **601A-B**, **602D** and the **602C**.

When aligned tighten the middle first and work your way outward. See diagrams **A**, **B**, **C**.

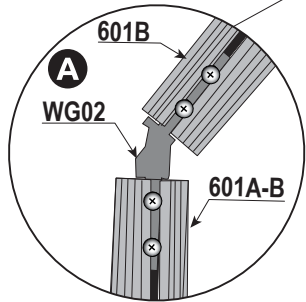
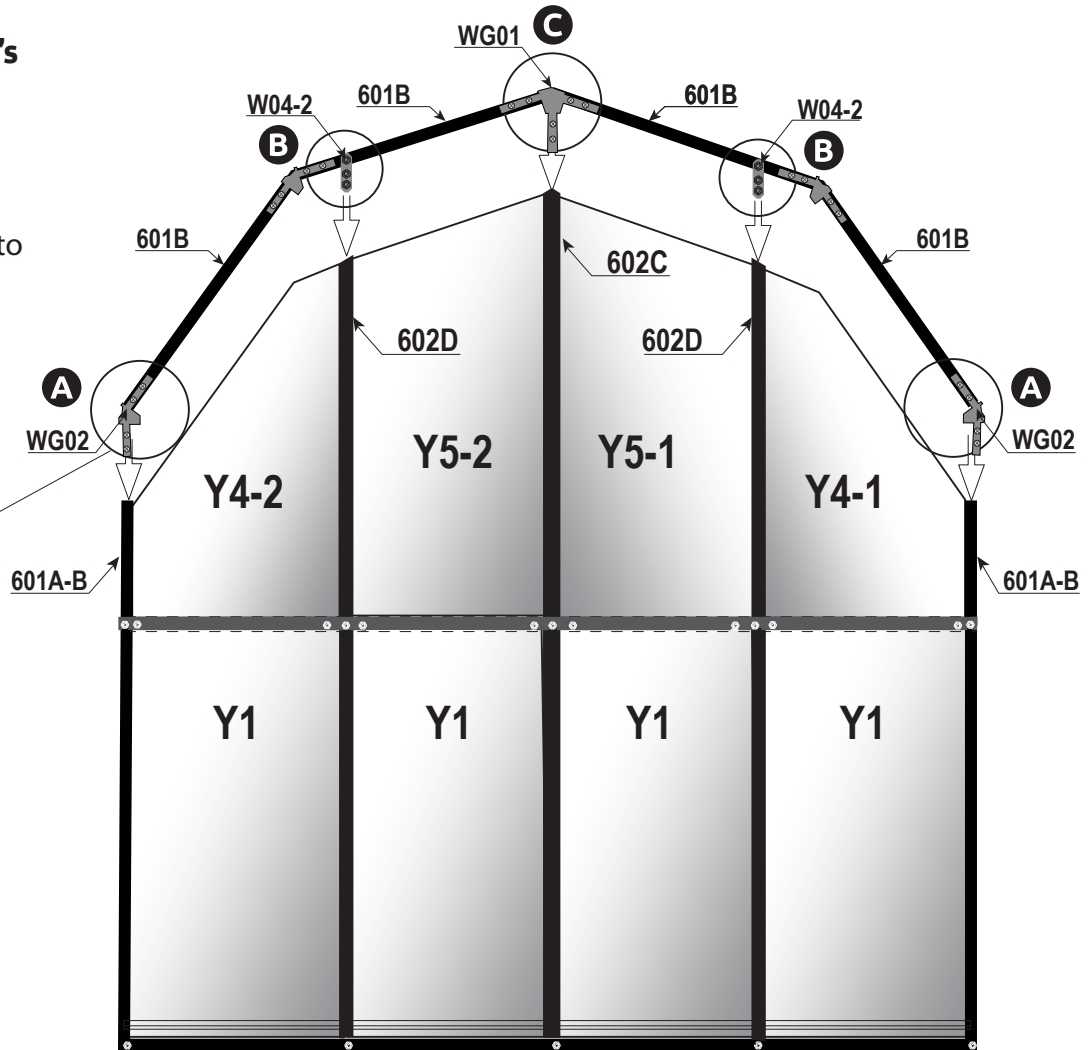
**3.8** Insert the **Y5-1** and **Y5-2** polycarbonate panels into place. Then insert the **Y4-1** and **Y4-2** into place as shown in the diagram.



# BACK CONTINUED

ALWAYS ASSEMBLE BACK HORIZONTAL

**3.9** Pre thread the **S05** screws on **WG01**, **WG02**'s and the **S04/ML01 W04-2**'s brackets and place into appropriate extrusion see **A**, **B** and **C**. Align **WG02**'s into **601A**'s, the **W04-2**'s into **602D**'s, and the **WG01** into the **602C**. When all members are snug tighten all fasteners to lock into place.



STEP THREE

**GRANDIO TIP** **BOLT INSTALLATION TIP:** Locate all nuts and bolts, pre thread and place in the groove of the extrusion to make installation easier. Move up or down for exact placement.

Inside View

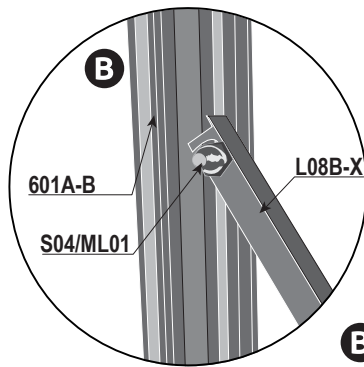
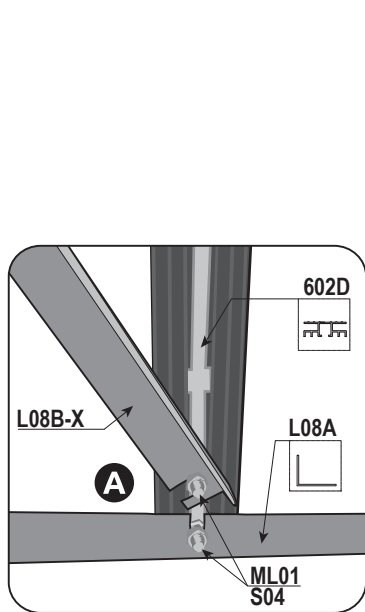
# BACK CONTINUED

ALWAYS ASSEMBLE BACK HORIZONTAL

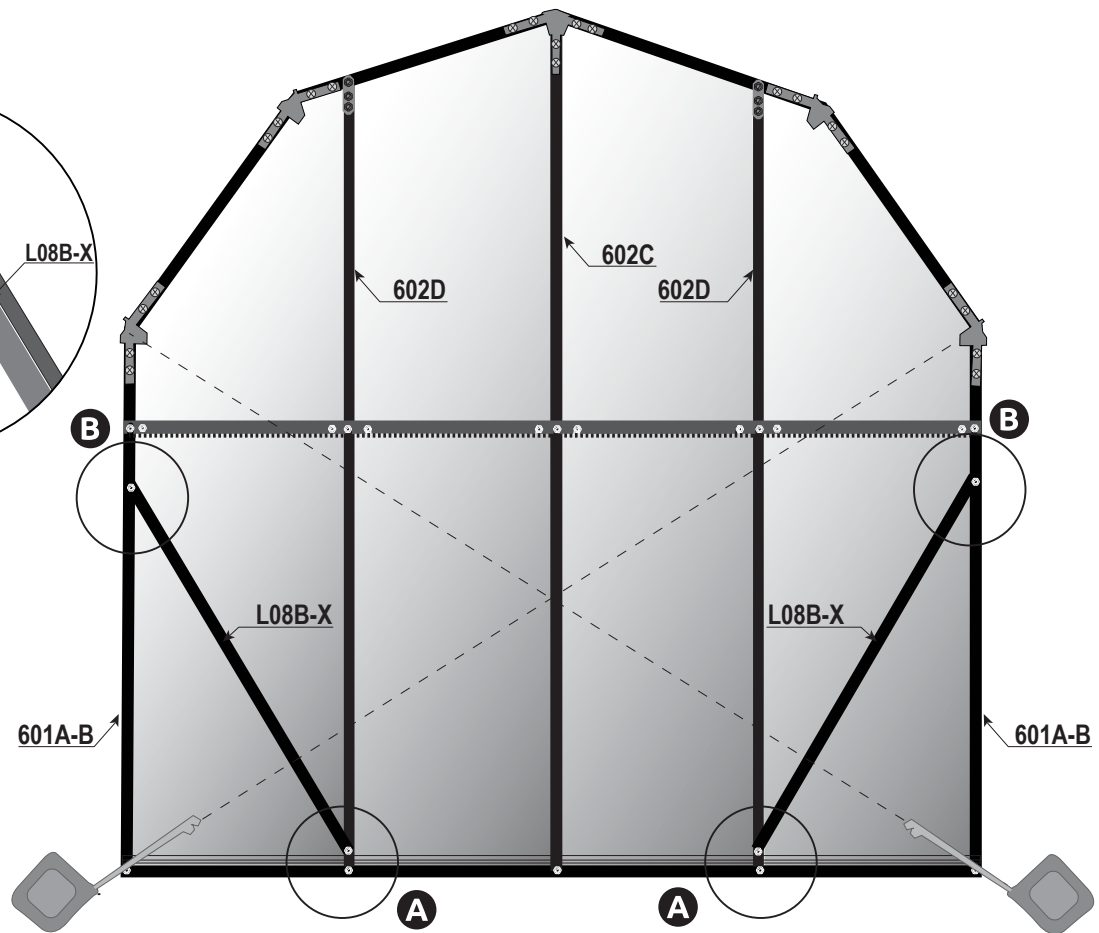
## 3.10

**A.** Attach (2) **L08B-X's** to (2) **602D's** and **L08A** with **S04/ML01** as shown in **(A)**.

**B.** Attach (2) **L08B-X's** to the (2) **601A-B's** with fasteners as shown in **(B)**.



Inside View



STEP THREE



**GRANDIO TIP** Square by loosening bolts attached to the tops of the **L08B-X**, use measuring tape to make sure corners to corner measures the same.

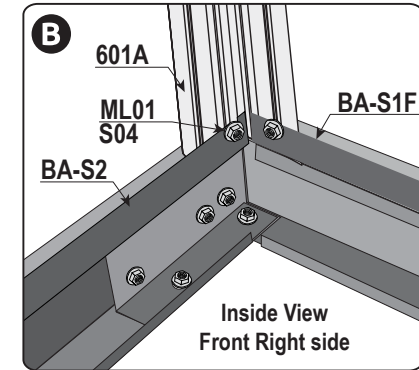
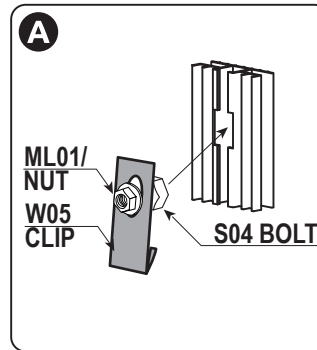
# MIDDLE ASSEMBLY INSTRUCTIONS

**Warning:** The person(s) holding the front or back sections vertical must continue to do so until the **L08C-X** angle supports are attached securely to the front and base as shown in step 4.5. Failure to hold front vertical will cause the front to fall and damage the base kit, front framing etc. Damage caused by improper installation is not warrantable.

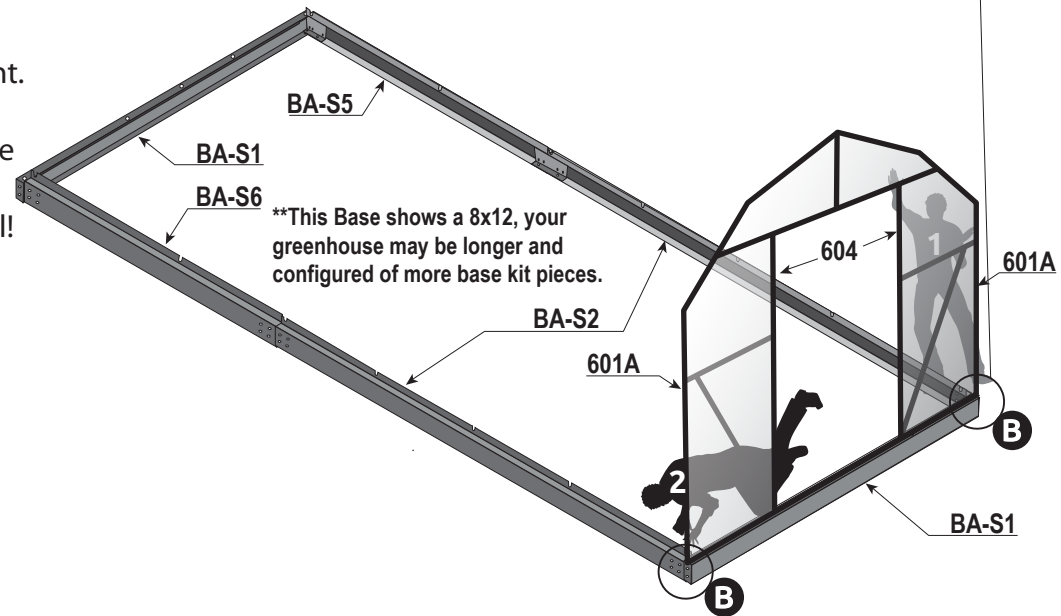
**STEP FOUR**

If building a greenhouse with a front and back door you will repeat steps 4.1-4.5 for attaching both front and back walls of the greenhouse.

**4.1** We recommend pre threading all (9) **W05** clips with the nut and bolt combos now. See **A** note the bolt head will always slide into the extrusion, **W05** clips will be used in step 4.5.



**4.2** With no less than 2 people place the pre assembled front section on top of the base kit front. Have person **(1)** hold the front vertically while the other attaches the front section **601A's** to the base using **S04/ML01** fasteners as shown in **B**. Person **(1)** must continue to hold the front wall!

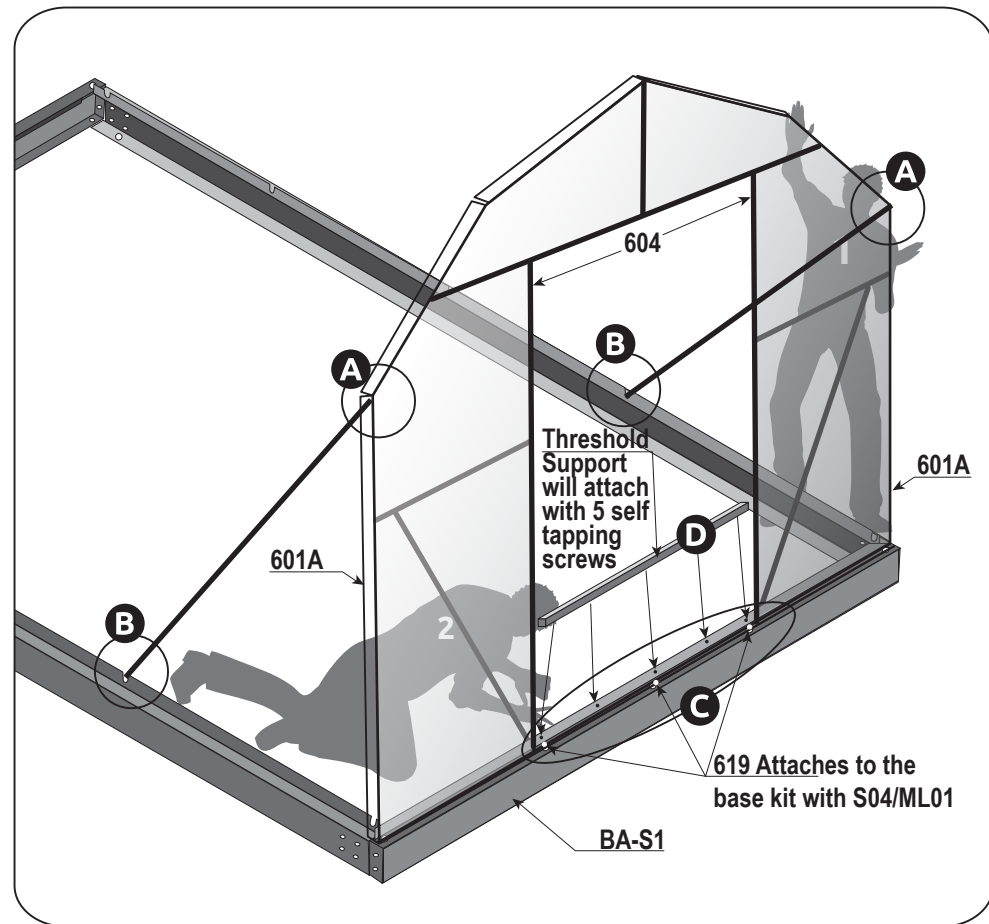
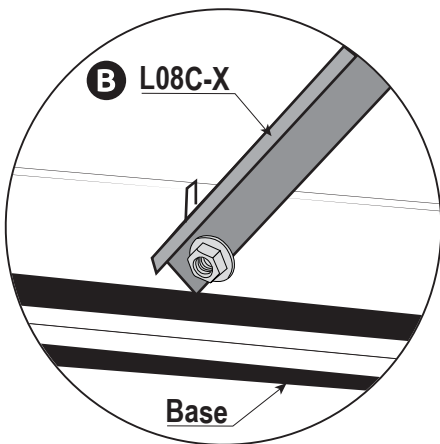
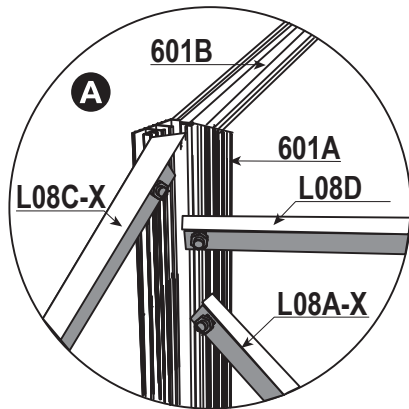


**GRANDIO TIP** You will need a minimum of (2) people to complete the middle assembly of your greenhouse. The more people the merrier at this stage of assembly.

# MIDDLE ASSEMBLY CONTINUED

**4.3** Attach **L08C-X** to **601A** and the **BA-S2** with **S04/ML01** on both sides as shown in **A** and **B** with the nut and bolt combos.

**4.4** Attach the front section **619** to the base using (3) **S04/ML01** fasteners as shown in **C**, then attach the threshold support to the inside of the **619** with (5) self tapping screws included in the package, see **D**.

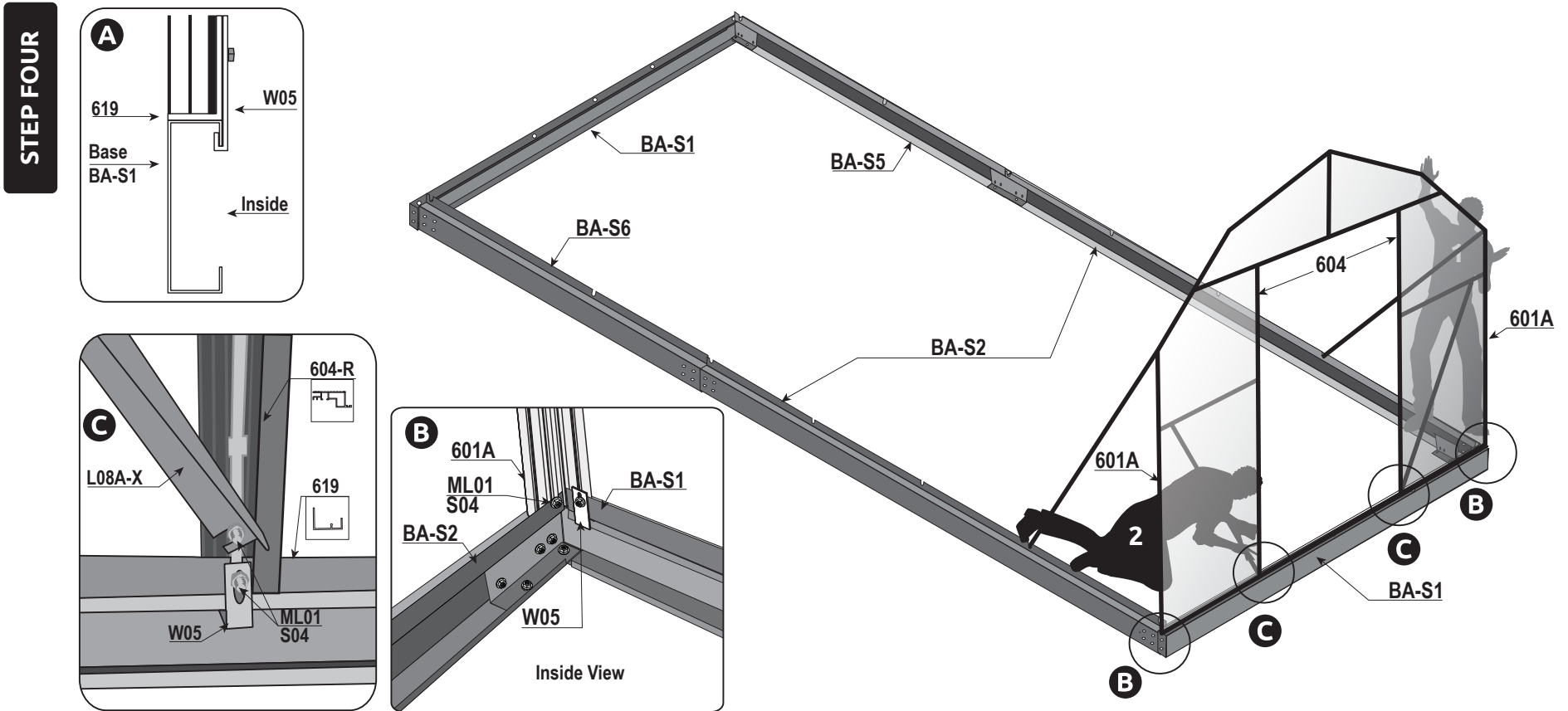


STEP FOUR

# MIDDLE ASSEMBLY CONTINUED

**4.5** Have person (1) continue to hold the front vertically while the other attaches the front section to the base with **W05/S04/ML01** fasteners as shown in **A** , **B** and **C** . The (4) **W05** clips will catch the under edge of the front base kit and then slide upward attaching to the bottom of the **601A**'s and the **604**'s. You will slide the bolt into the extrusion, slide it down to catch the edge of the base kit, then slide up and hold up as high as it will go and then tighten the **ML01** nut, note you will have to switch out the combo that was originally used to the **W05** Clip.

If you are using the **Back Door Transformation** kit you will repeat steps 4.1-4.5 to install the **Back Door Wall**.





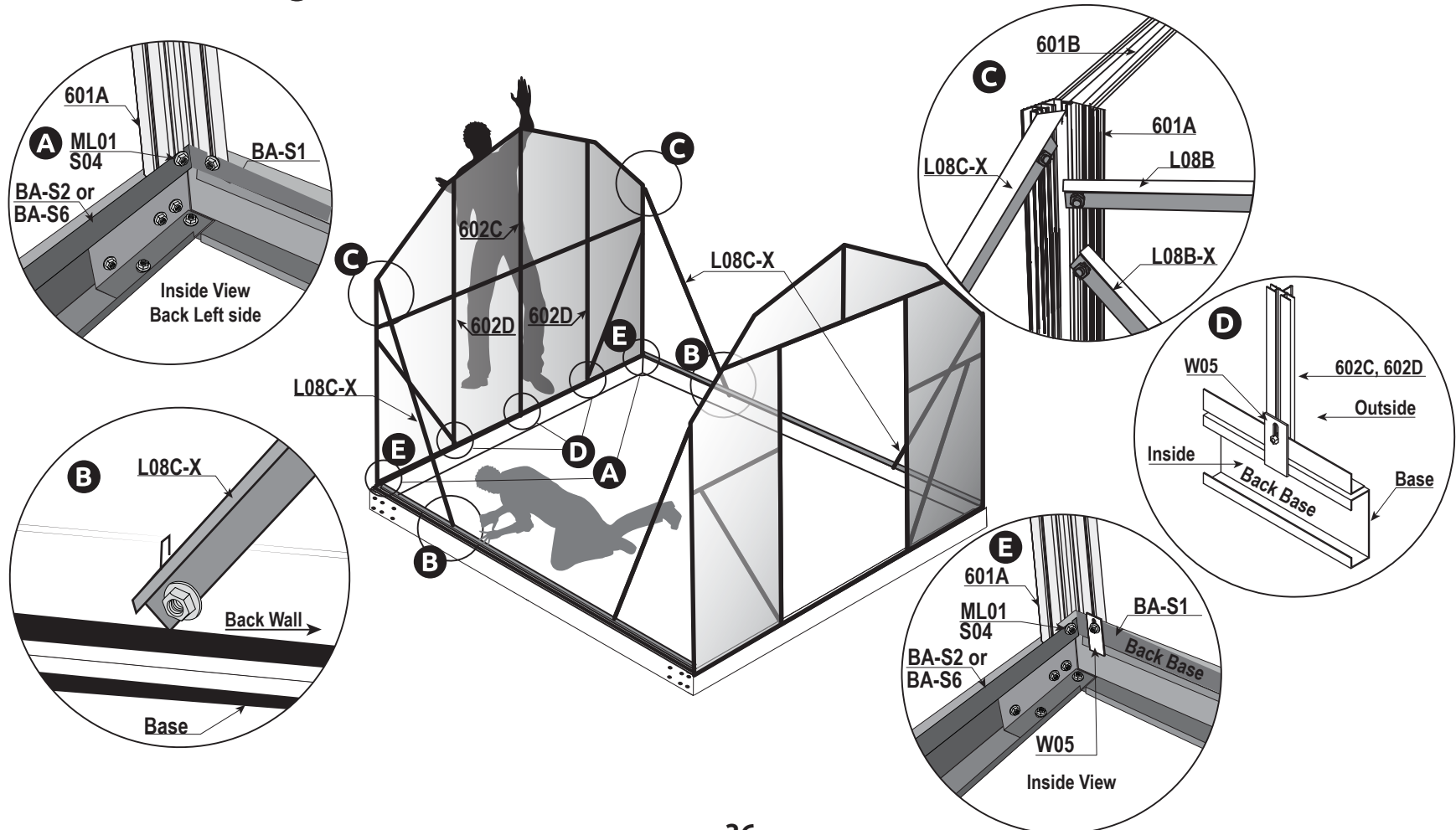
# MIDDLE ASSEMBLY CONTINUED

If you are using the Back Door Transformation kit you will repeat steps 4.1-4.5 to install the Back Door Wall, then skip ahead to step 4.9.

**4.6** Attach back wall **601A's** with back base corners using **S04/ML01** on both sides as shown in **(A)**.

**4.7** Attach bottom of **L08C-X** to rear section of base kit with **S04/ML01**, as shown in **(B)**. Attach the **L08C-X** to the **601A** as shown in **(C)**, make sure the **S04/ML01** combos are tight.

**4.8** Use the (5) remaining **W05** clips to attach the backwall where the **601A's** meet the corner of the base as shown in **(D)**, and where **602D's**, and the **602C** meet the **BA-S1B** see **(D)**. Then use **W05 Clip** combos to attach the corner **601A's** to the base kit as shown in **(E)**, you will have to switch out the combo that was originally used to the **W05 Clip**.



STEP FOUR

# MIDDLE ASSEMBLY CONTINUED

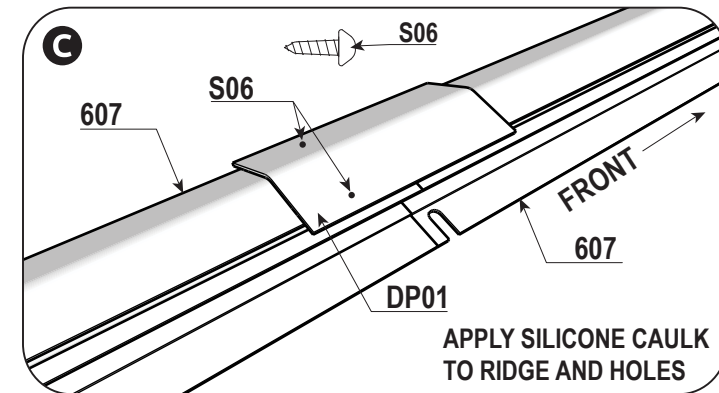
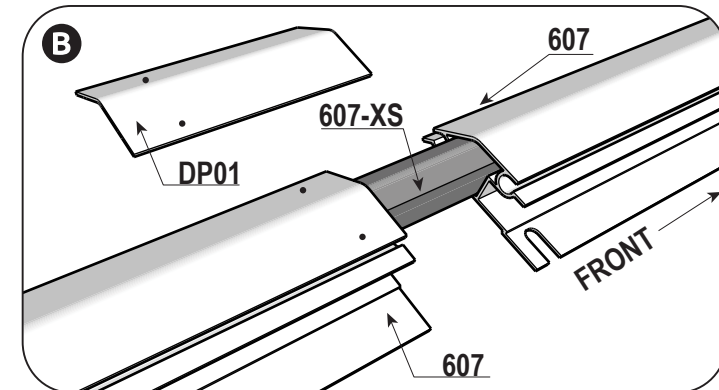
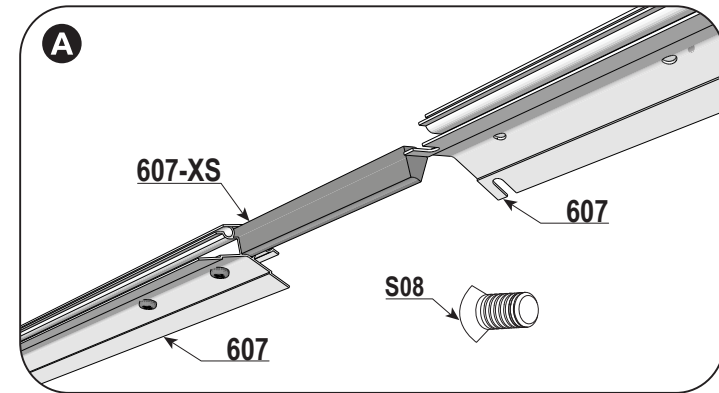
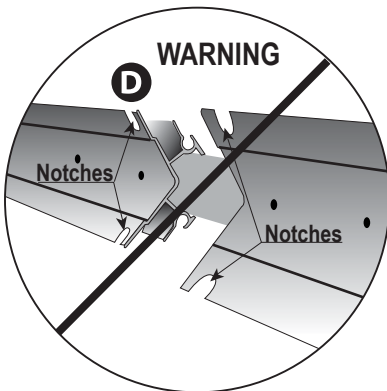
**4.9** Attach the **607** to **607 extension** with the **607-XS** and the (4) **S08** screws provided see **A**, **B**. The **S08** screws are to be installed on the inside as shown in diagram **A**. Wait to tighten the screws all at one time when both sections are aligned correctly, apply even pressure while tightening.

**4.10** Apply a bead of silicone to the seam where the **607's** meet and to the holes where the **S06** screws will attach the **DP01** to the **607** ridge. See **C**. Immediately align the **DP01** apply a small amount of silicone to the holes on the exterior of **DP01** then insert the **S06** screws.

STEP FOUR

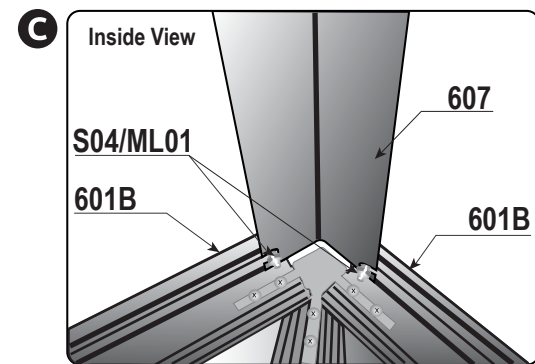
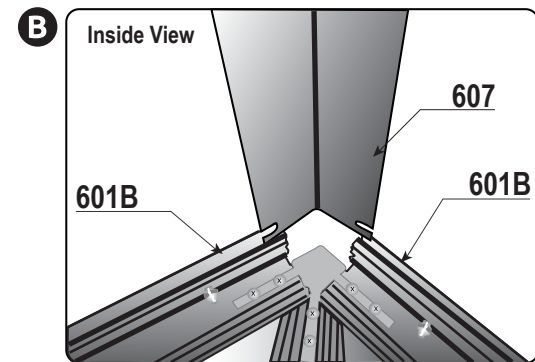
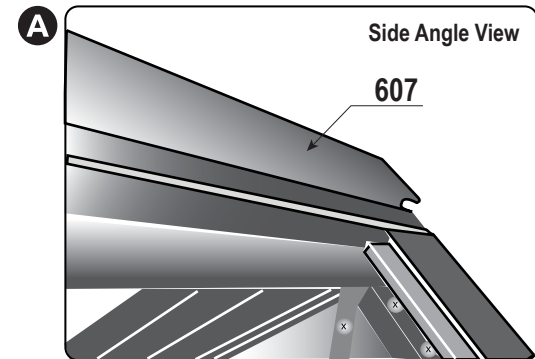
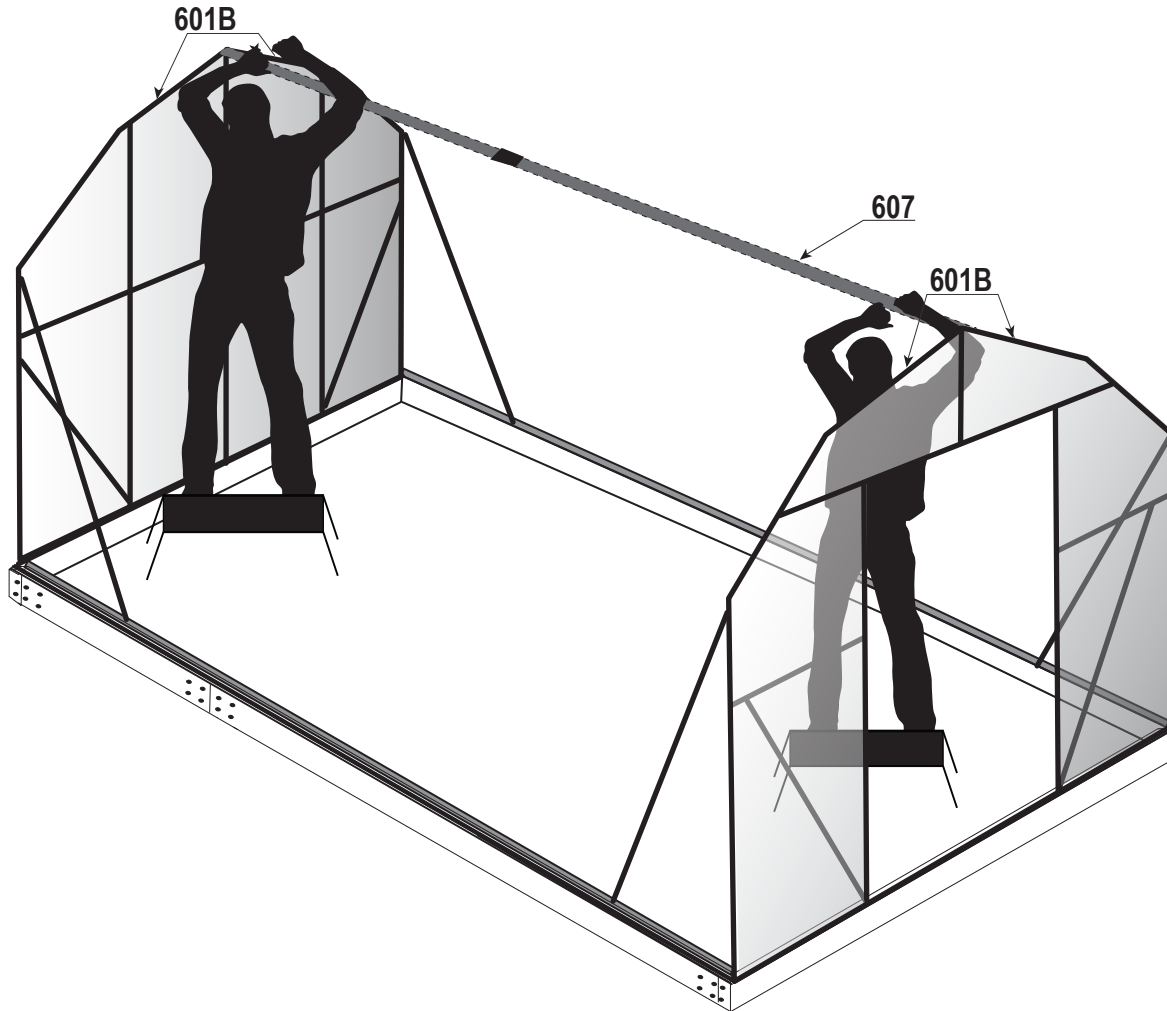
## For 8x20 and 8x24 Grandio Elite Assembly

Repeat these steps if you are building an 8x20 or 8x24 with your last extension box, note it is best to connect 8x8, then 8X, then an 4X if assembling an 8x20. Note that the notches shown in **D** should be spaced every 2 feet, none should be right next to each other.



# MIDDLE ASSEMBLY CONTINUED

**4.11** With 2 people, attach the ridge to front and back by sliding into place as shown in **A** and **B**, using **S04/ML01** fasteners attach the **607** to the **601B**'s. See **C** for how the final orientation should be.



STEP FOUR

# EXTENSION ASSEMBLY INSTRUCTIONS

## STEP FIVE

**Warning:** You will need a minimum of 2 people to complete this section, you will not be able to stop assembly until page 45. Note that if you are assembling an 8x20 or an 8x24 greenhouse you will proceed thru the 2nd extension assembly instructions. Damage caused by improper installation is not warrantable. It will be helpful to prepare and lay each section and necessary parts out prior to beginning this sections actual assembly, pre reading will make this section much easier.

**Warning:** This section will take about 30 minutes so be prepared to finish as there is not a stopping point until page 45 for an 8x12 or 8x16 Greenhouse, or for an 8x20 or 8x24 Greenhouse page 50. Note it may be helpful to have a few more people at this point the more the merrier.



**BOLT INSTALLATION TIP:**

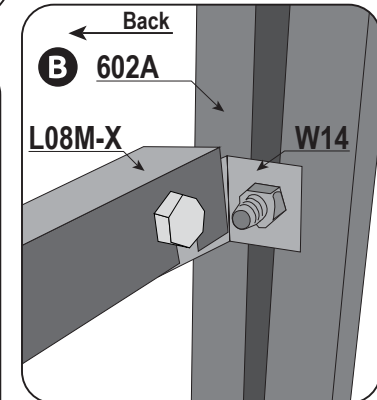
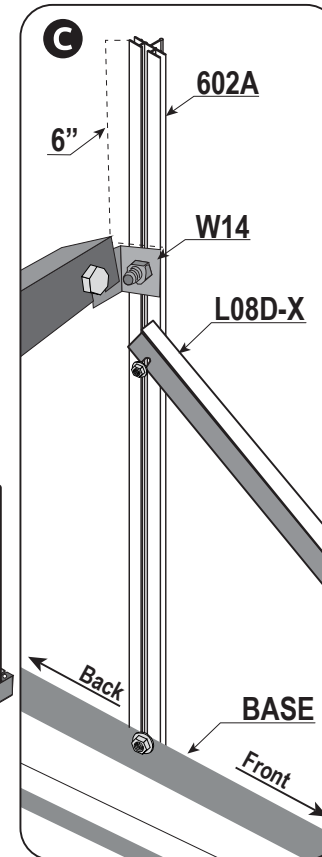
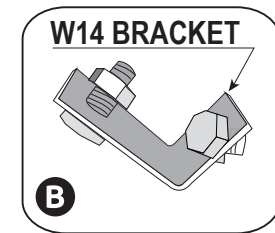
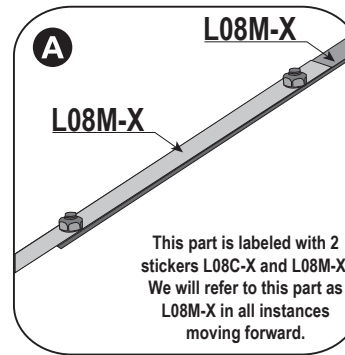
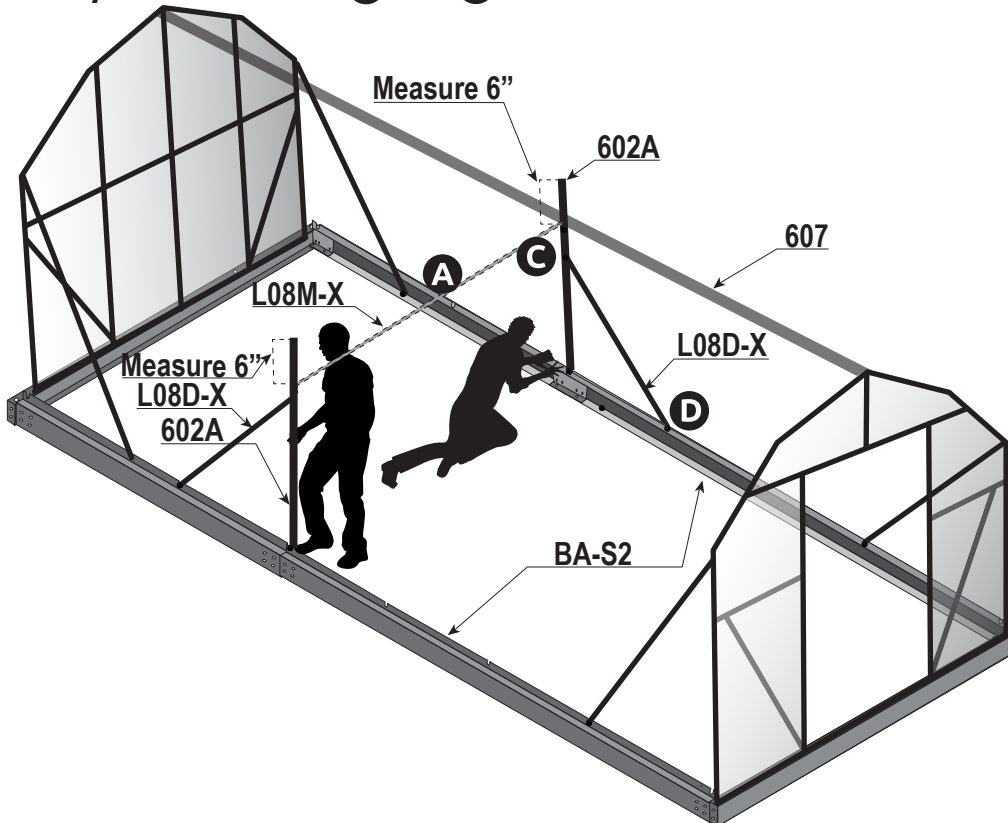
Locate about 30 nuts and bolts and pre thread for easiest installation.

# EXTENSION ASSEMBLY INSTRUCTIONS

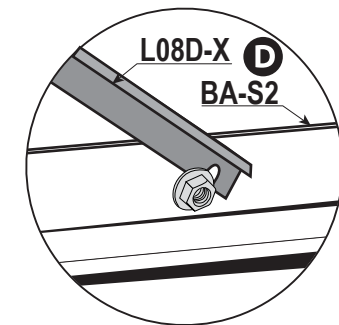
**5.1** Connect the (2) braces labeled **L08M-X / L08C-X** together with the nut and bolt combo **S04/ML01** see **(A)**. The combined **L08M-X's** should measure about **94 1/2"** when connected together.

**5.2** Attach the **602A** to the base with a nut and bolt combo where the extension kits meet on the base kit, with other person holding the **602A** in place. Measure down **6"** from the top of the **602A** to attach the **W14** bracket to the **602A** on both sides with the **S04/ML01**. See **(B)** and **(C)**. Attach the assembled **L08M-X's** to the **W14** as shown in **(B)** and **(C)**.

**5.3** Attach (2) **L08D-X's** to the **602A** and to the base using the **ML01/S04** Combos. See **(C)** and **(D)**.



IMPORTANT TO HAVE THE L08M-X FACE THE BACK AS SHOWN



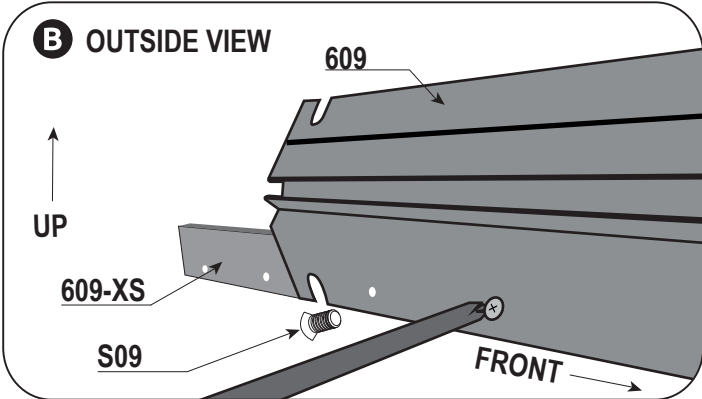
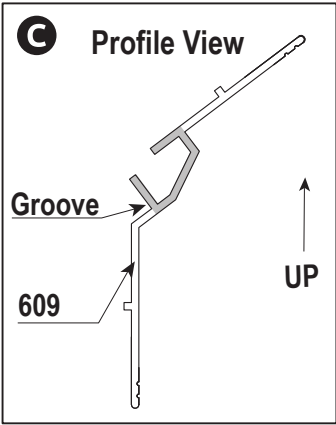
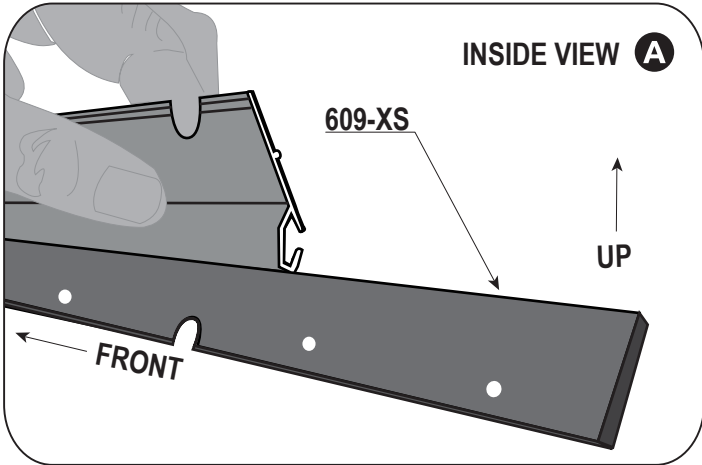
STEP FIVE

# EXTENSION ASSEMBLY INSTRUCTIONS

STEP FIVE

5.4 Attach the **609-XS** to **609** with the (2) **S09** screws provided see **A**. The **S09** screws are to be installed from the outside of the **609**, see **B**.

Pay special attention to the orientation of the **609**, make sure the correct side faces down, see **C**.



# EXTENSION ASSEMBLY INSTRUCTIONS

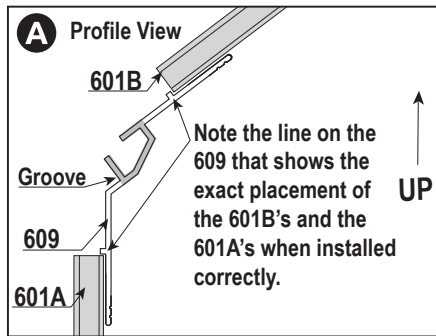
**5.5** With 2 people proceed to install 609 in this order, note that 609 must be installed with groove side down see **A**.

**1.** With one person holding the **609** level and in position have the other person loosen the top of the **L08C-X** and let it fall free, attach the **609** to the **601B** using **S04/ML01** (nut and bolt). See **B** and **C**.

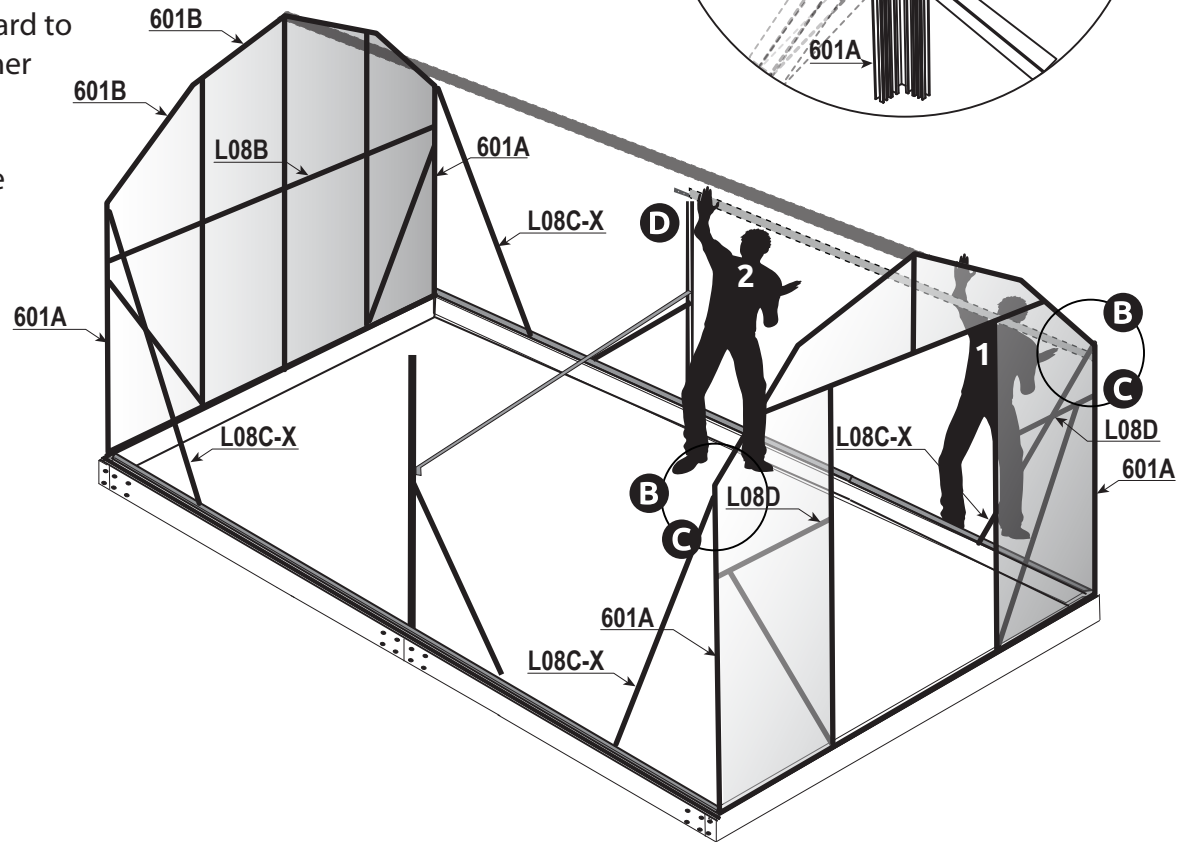
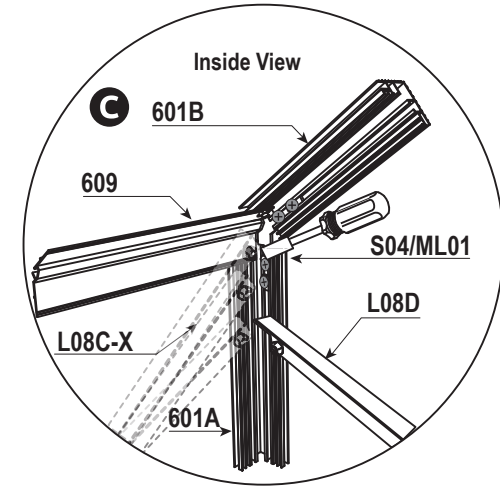
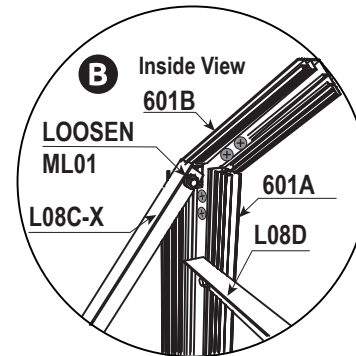
**2.** Now move the loosened **S04/ML01** (nut and bolt) currently attached to the **L08C-X** upward to secure the **609**, **601A-F** and **L08C-X** together as shown in **C**.

**3.** Have assistant keep holding at the middle section **D**. Turn to next page for detailed installation.

**STEP FIVE**



**GRANDIO TIP** You will need a minimum of (2) people to complete the middle assembly of your greenhouse. The more people the merrier at this stage of assembly.



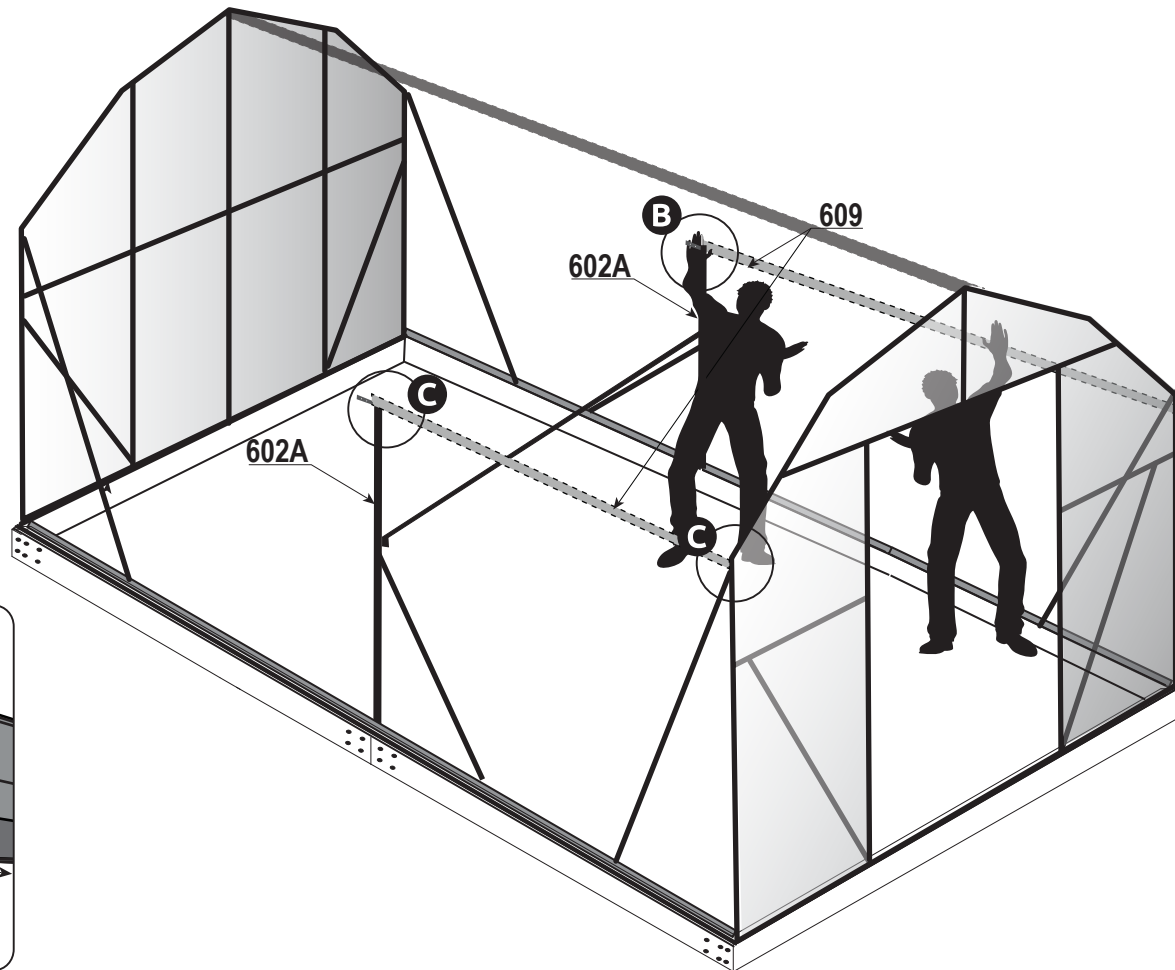
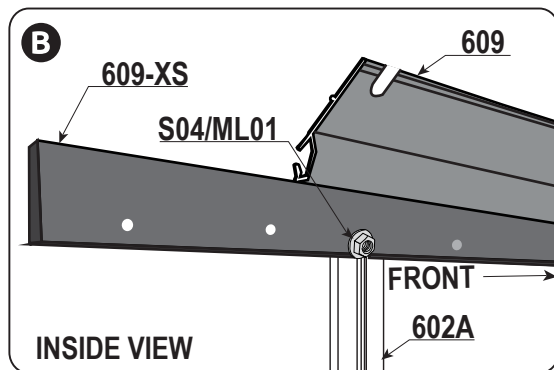
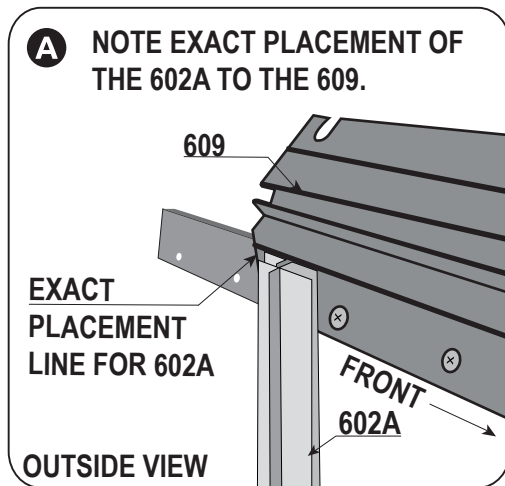


# EXTENSION ASSEMBLY INSTRUCTIONS

STEP FIVE

4. Note the top of **602A** should touch the line on the **609** for exact placement, see **A**. Attach the **609** to the **602A** with the **S04/ML01** nut and bolt combos see diagram **B**.

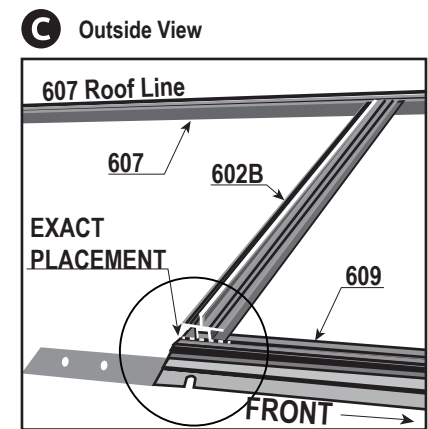
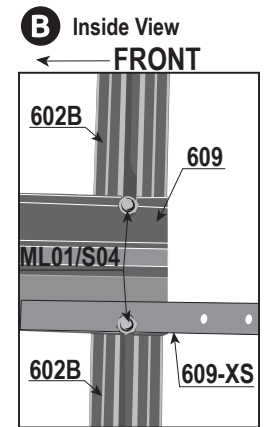
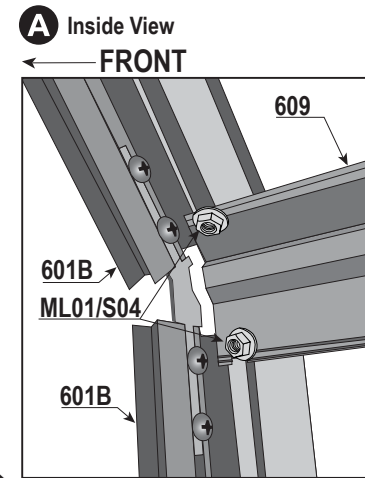
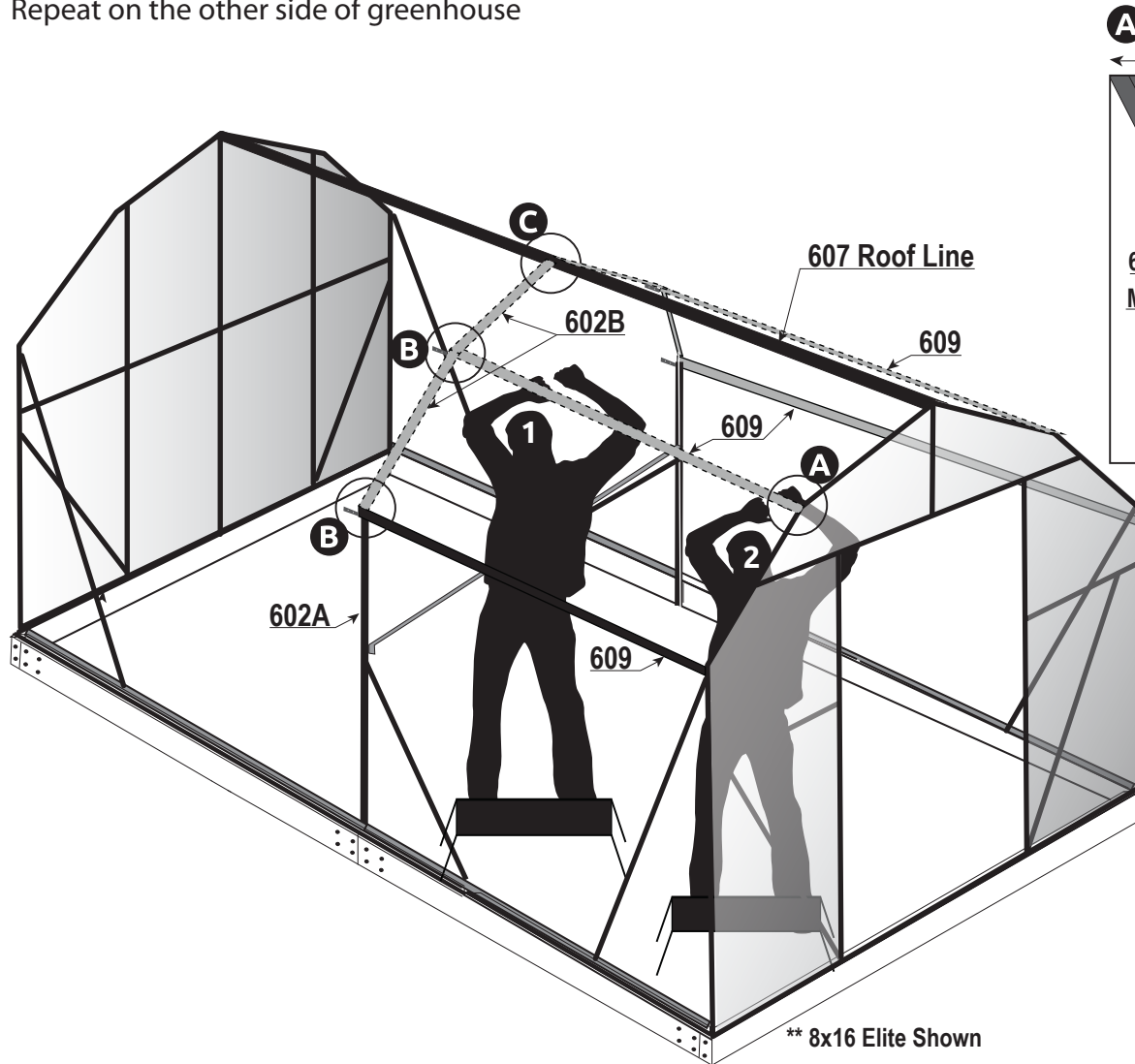
5. Repeat steps 1-4 on the other side see **C**.



# EXTENSION ASSEMBLY INSTRUCTIONS

**5.6** Moving up to the midroof **609**, with person 1 holding the **609** in place person 2 will attach the **609** to the front of the greenhouse to the **601B**'s, see **A**. Person 1 will continue holding the **609**.

**5.7** Person 2 will attach the **602B** to the **609**'s see **B**. Attach one more **602B** between the **609** and **607**, see **C**. Repeat on the other side of greenhouse



**STEP FIVE**

# EXTENSION ASSEMBLY INSTRUCTIONS

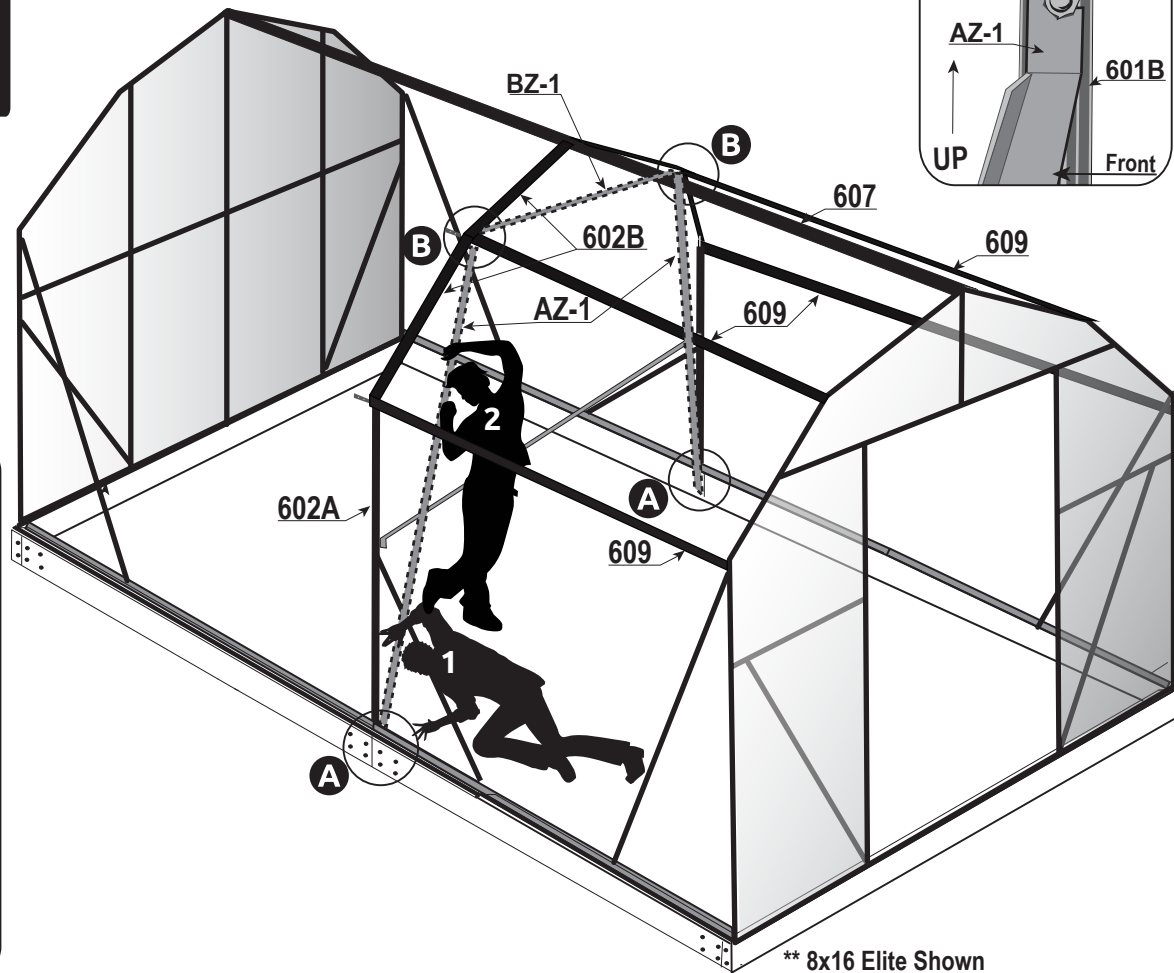
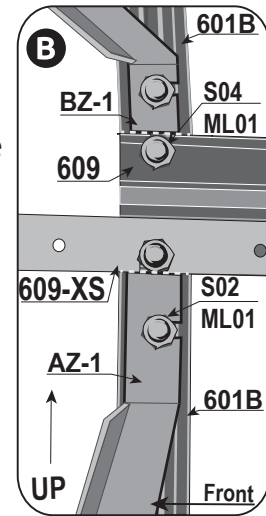
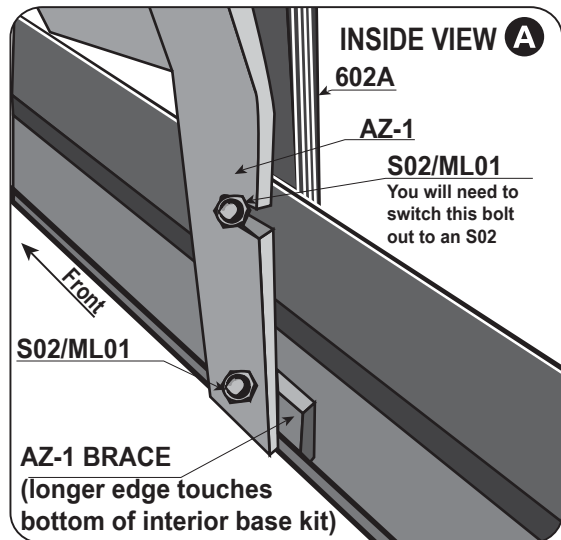
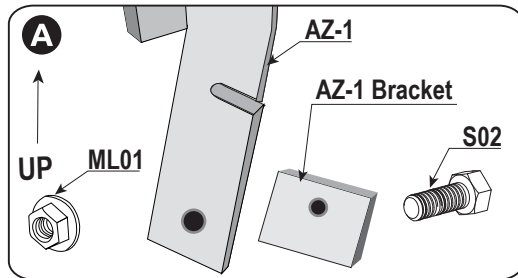
**5.8** With two people attach the **AZ-1** to the base and the lower **602A**, see **A**. Next attach the upper end to the mid roof line touching the **609** see **B** for exact placement. Install on both sides of the greenhouse where the extension seams meet using the **S02/ML01** combo.

**5.9** Install the **BZ-1** to the upper mid roof, to act as the support to the peak of the roof as shown between the (2) **602B**'s. Note the exact placement of the edge of the **BZ-1** should touch the top edge of the **609** see **B**.

STEP FIVE

## AFTER COMPLETING STEP 5.9

**IF YOUR GREENHOUSE IS AN 8X12 OR 8X16 SKIP TO PAGE 51. IF YOURS IS AN 8X20 OR 8X24 PROCEED ON TO THE NEXT PAGE.**



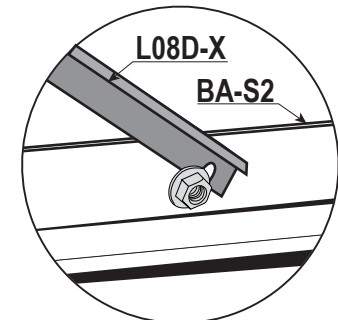
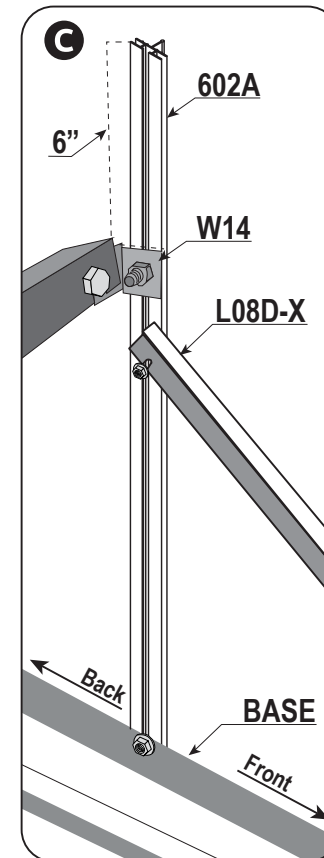
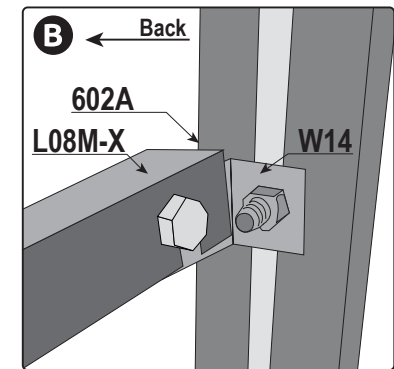
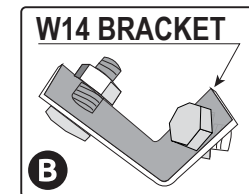
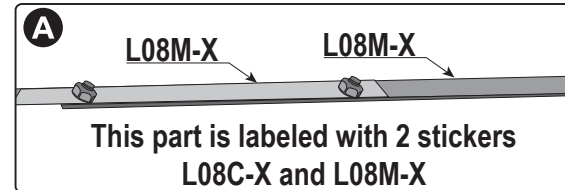
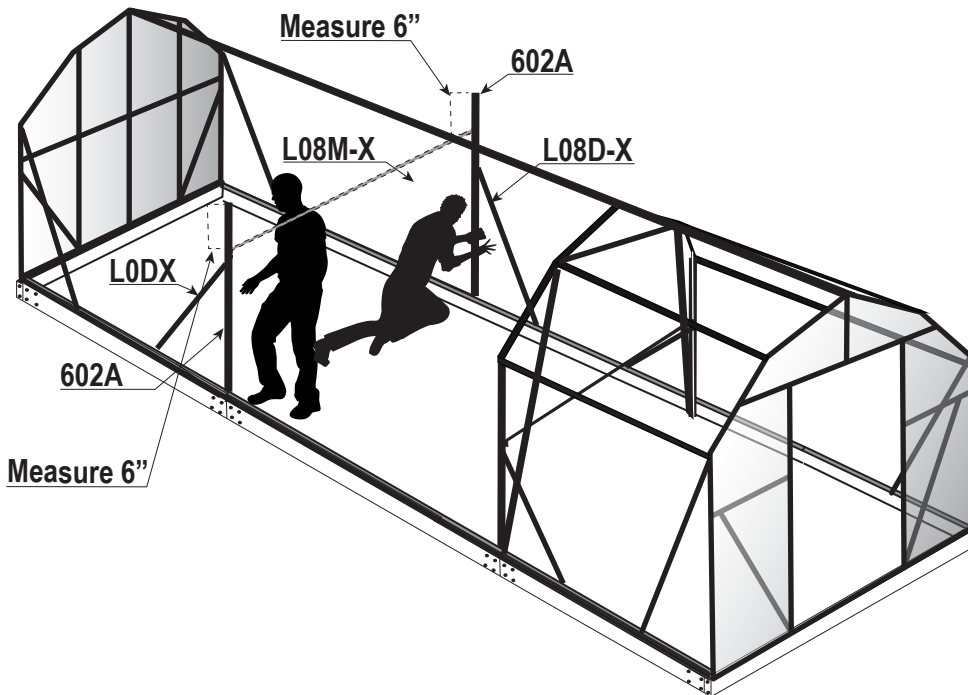
# 2nd EXTENSION ASSEMBLY INSTRUCTIONS

CONTINUE FOR 8X20 AND 8X24 ONLY / FOR 8X12 AND 8X16 SKIP AHEAD TO PAGE 51 OR STEP 5.19

**5.10** Connect the (2) braces labeled **L08M-X / L08C-X** together with the nut and bolt combo **S04/ML01** see **(A)**. The combined **L08M-X's** should measure about **94 1/2"** when connected together.

**5.11** Attach the **602A** to the base with a nut and bolt combo. Measure down **6"** from the top of the **602A** to attach the **W14** bracket to the **602A** on both sides with the **S04/ML01**. See **(B)** and **(C)**. Attach the assembled **L08M-X's** to the **W14** as shown in **(B)** and **(C)**.

**5.12** Attach (2) of the **L08D-X** supports to the **602A** and to the base using the **ML01/S04** Combos. See **(C)** and **(D)**.



STEP FIVE

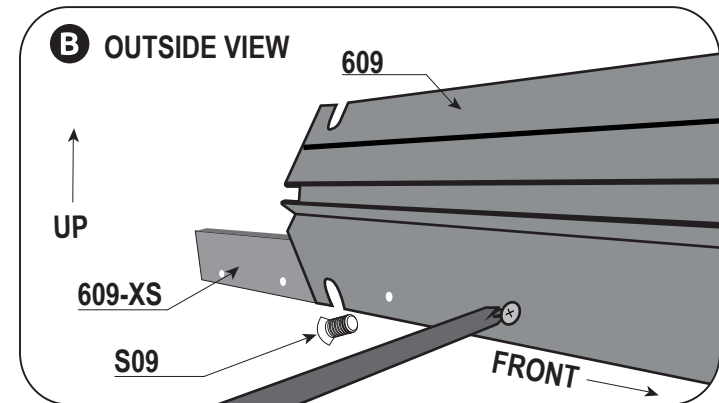
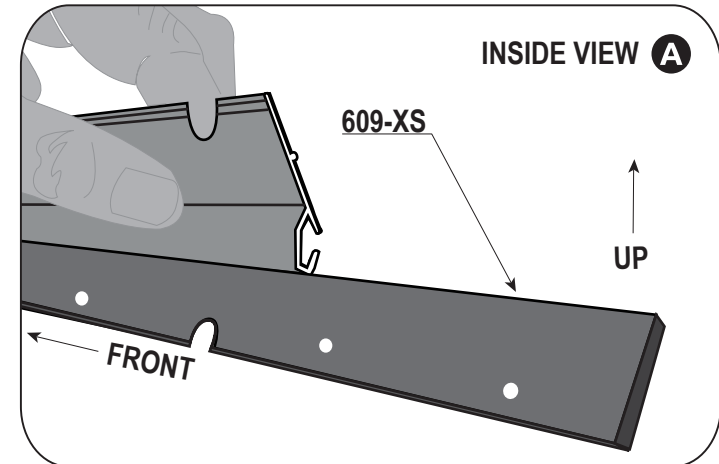
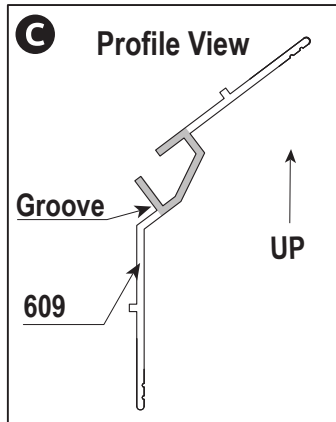
# 2nd EXTENSION ASSEMBLY INSTRUCTIONS

CONTINUE FOR 8X20 AND 8X24 ONLY / FOR 8X12 AND 8X16 SKIP AHEAD TO PAGE 51 OR STEP 5.19

## STEP FIVE

**5.13** Attach the **609-X** to **609** with the (2) **S09** screws provided see **A**. The **S09** screws are to be installed from the outside of the **609**, see **B**.

Pay special attention to the orientation of the **609**, make sure the correct side faces down, see **C**.

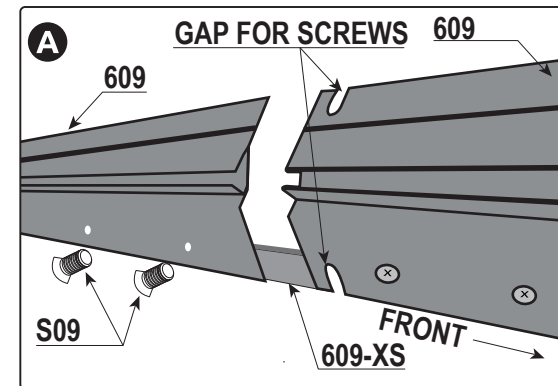


# 2nd EXTENSION ASSEMBLY INSTRUCTIONS

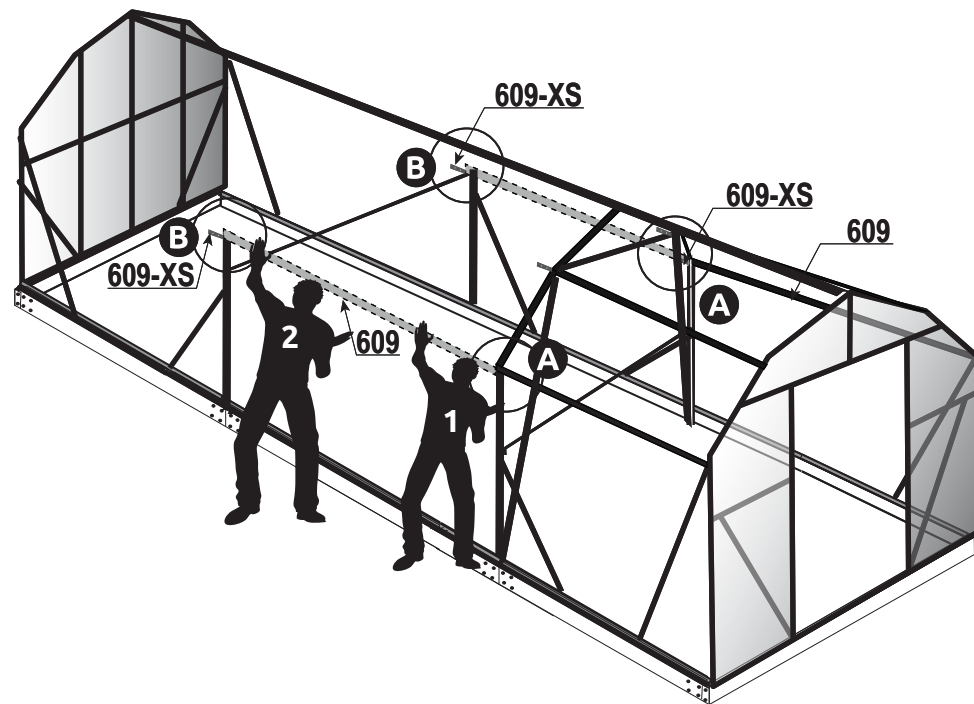
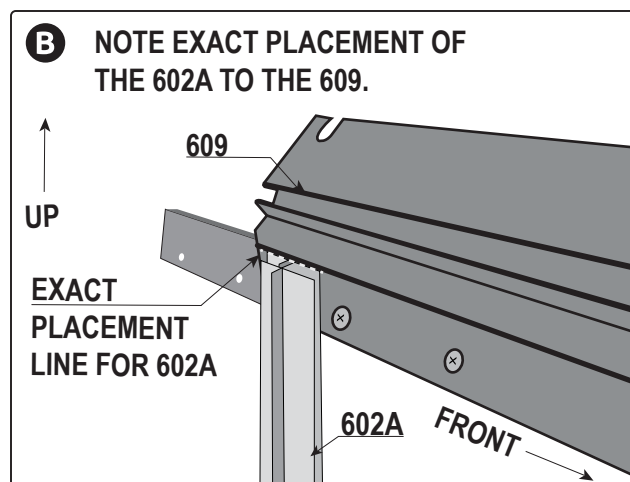
**CONTINUE FOR 8X20 AND 8X24 ONLY / FOR 8X12 AND 8X16 SKIP AHEAD TO PAGE 51 OR STEP 5.19**

**5.14 With 2 people proceed to install 609 extension at the eave or lower mid roof in this order.**

1. With one person holding the **609** level and in position have the other person attach the **609** to other end of the **609-XS** as shown in **A**.
2. With one person holding the **609** level and in position have the other person attach the **609** to the **602A** using **S04/ML01**. See **B**.
3. Repeat steps 1. and 2. on other side of the greenhouse.



**STEP FIVE**



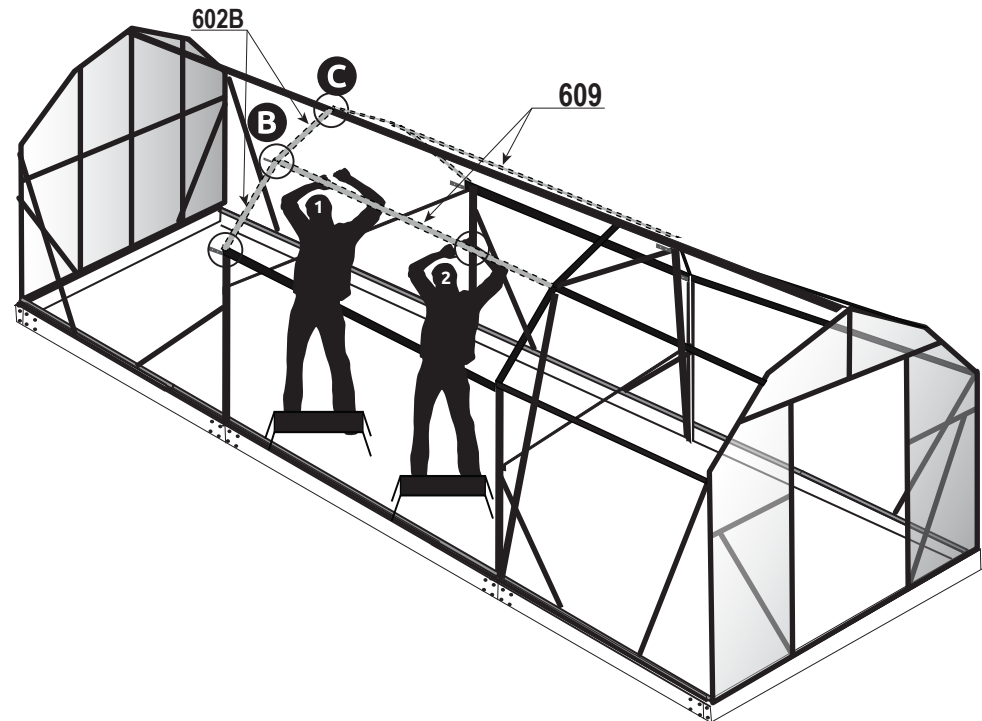
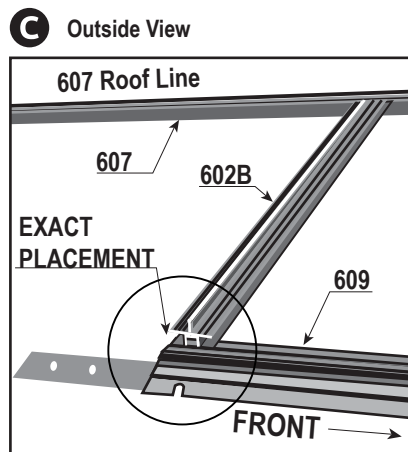
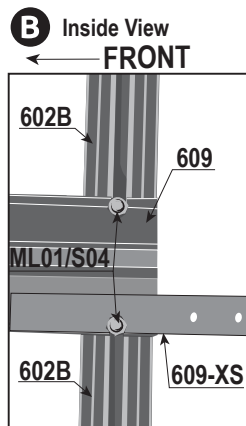
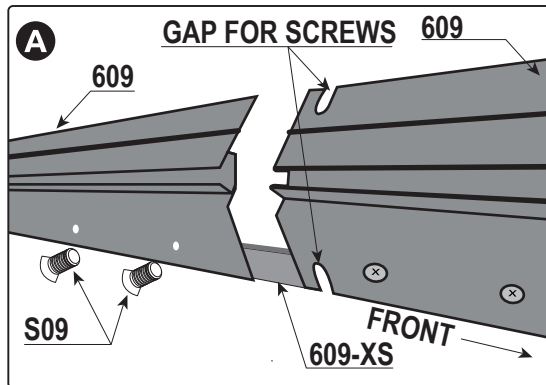
# 2nd EXTENSION ASSEMBLY INSTRUCTIONS

CONTINUE FOR 8X20 AND 8X24 ONLY / FOR 8X12 AND 8X16 SKIP AHEAD TO PAGE 51 OR STEP 5.19

STEP FIVE

**5.15** With person 1 holding the **609** in place person 2 will attach the **609** to the **609-XS** with the (2) **S09's** screws to the upper mid roof see **A**. Person 1 will continue holding the **609**.

**5.16** Person 2 will attach the **602B** to the two **609's** with (2) **S04/ML01** (nuts and bolts) see **B**. Attach one more **602B** between the **609** and **607** with (2) **S04/ML01** (nuts and bolts), see **C**. Repeat both steps on the other side of greenhouse.



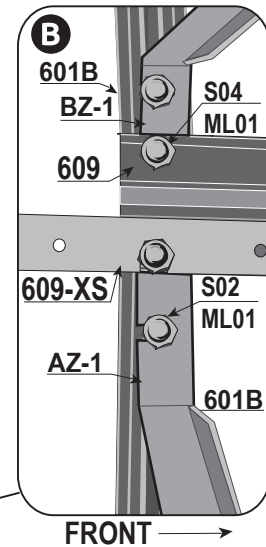
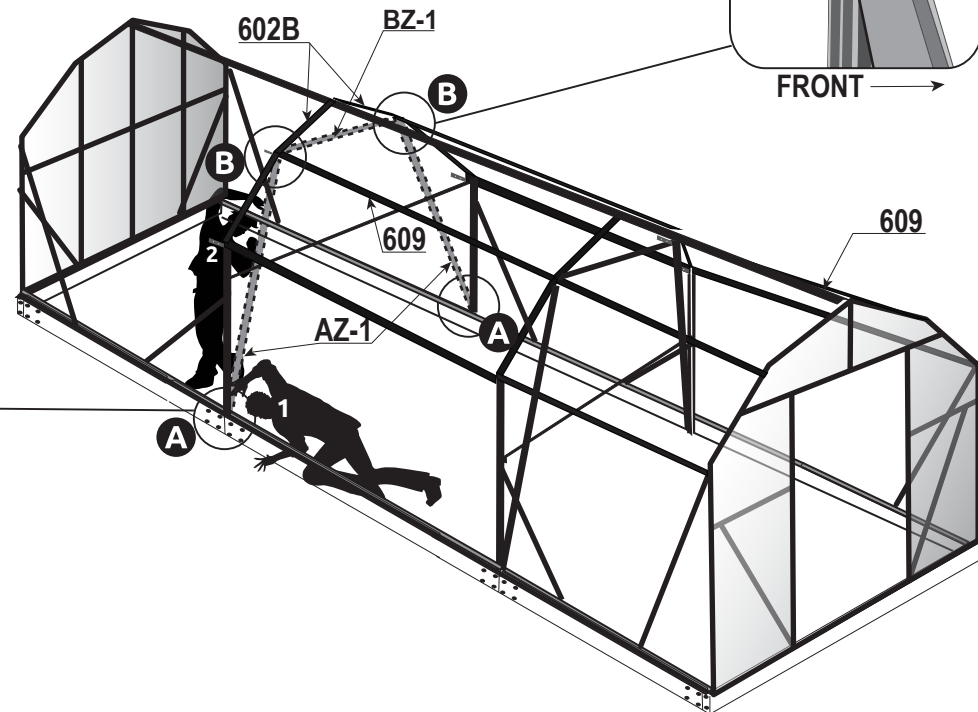
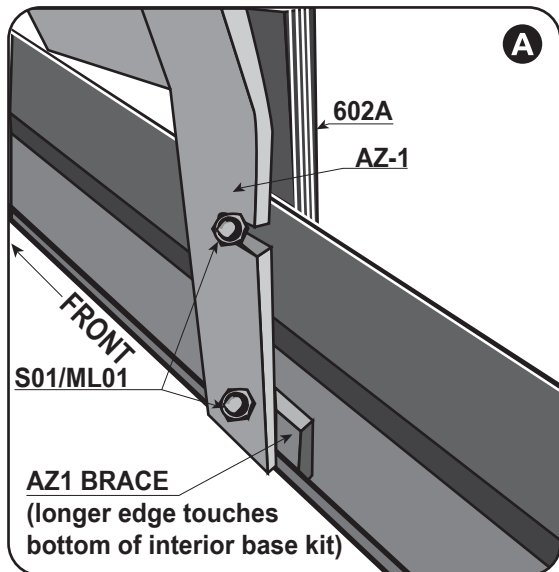


# 2nd EXTENSION ASSEMBLY INSTRUCTIONS

CONTINUE FOR 8X20 AND 8X24 ONLY / FOR 8X12 AND 8X16 SKIP AHEAD TO PAGE 51 OR STEP 5.19

**5.17** With two people attach the **AZ-1** to the base and the lower **602A**, see **A**. Then attach the upper end to the mid roof line touching the **609** see **B** for exact placement. Install on both sides of the greenhouse where the extension seams meet using the **S02/ML01** combo.

**5.18** Install the **BZ-1** to the upper mid roof, to act as the support to the peak of the roof as shown between the (2) **602B**'s. Note the exact placement of the edge of the **BZ-1** should touch the top edge of the **609** see **B**.



STEP FIVE

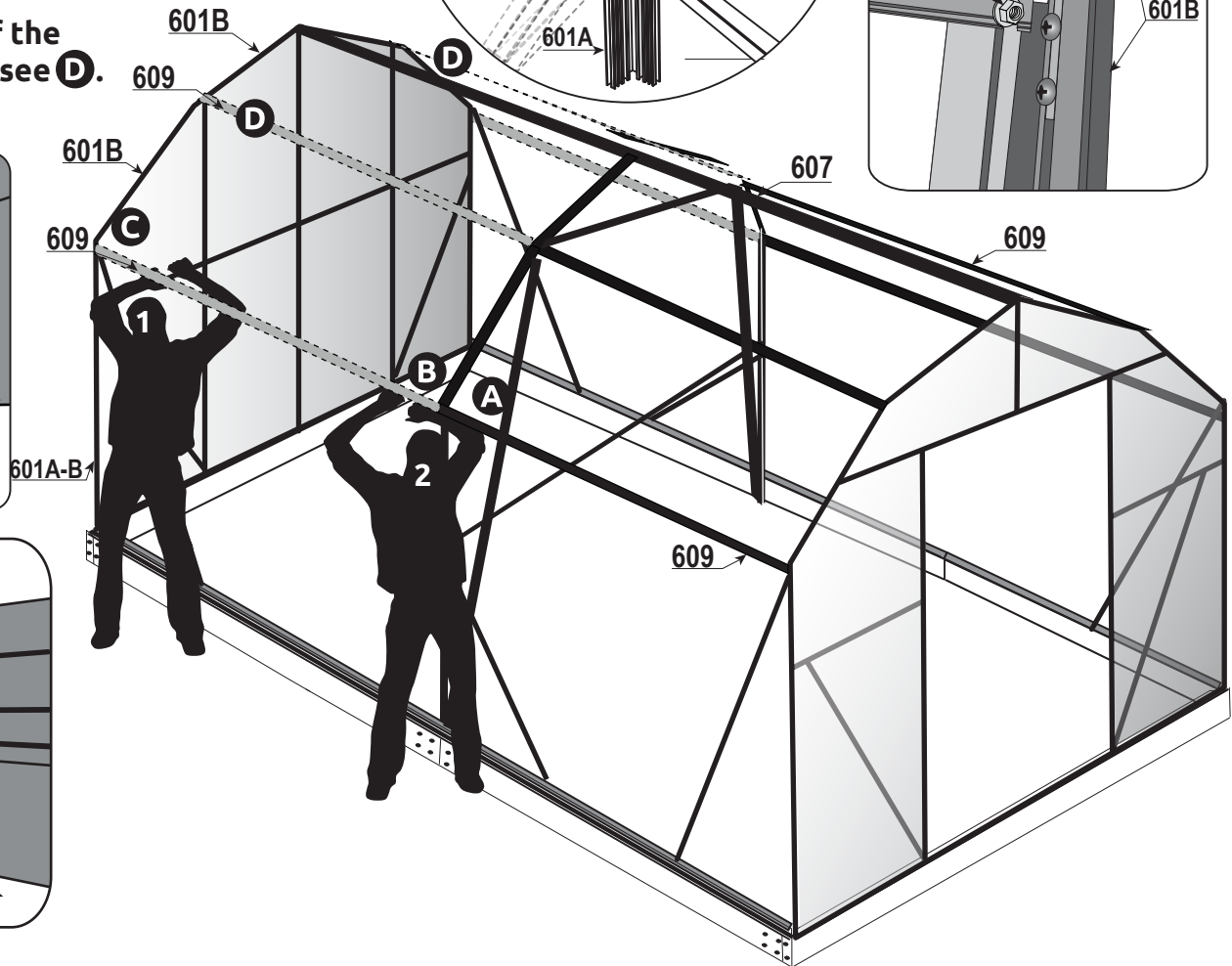
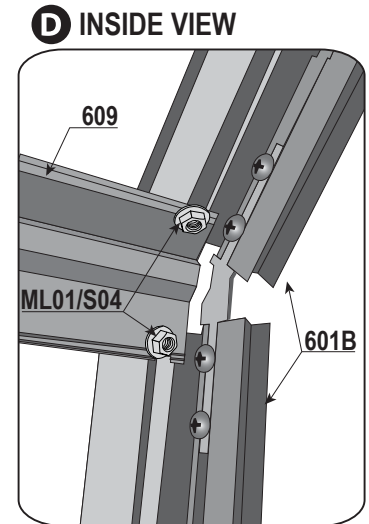
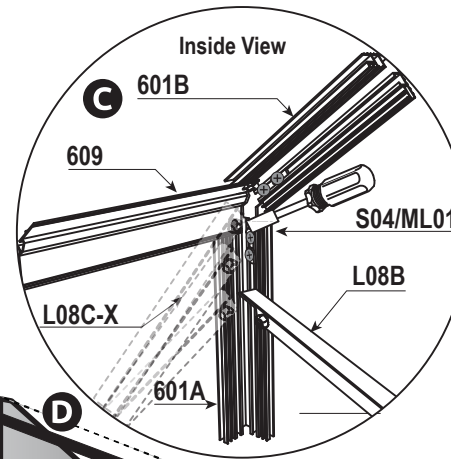
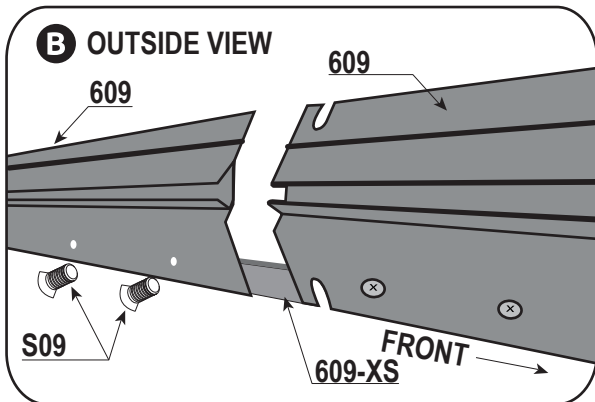
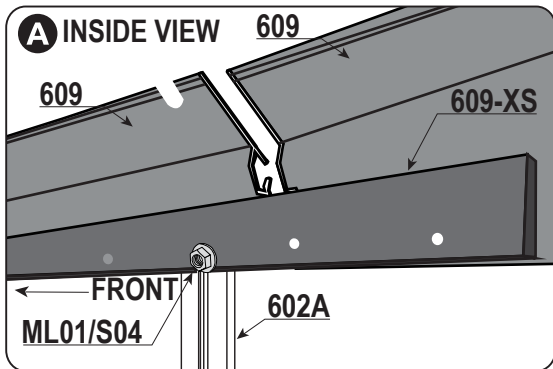
# MIDDLE BACK ASSEMBLY INSTRUCTIONS

STEP FIVE

**5.19** With two people attach the **609** extension to **609-XS** with the (2) **S09** screws provided see **A** and **B**.

**5.20** With person 2 still holding in place have person 1 loosen the **L08C-X** nut and bolt combo, allow to fall out of place, then align the **609** into place with the **601B** and **601A**, see **C**. Use a **S04/ML01** combo to attach the **609** to the **601B**, then slide the nut and bolt combo attached to the **L08C-X** into place to secure the **609** between the **601A** and the **L08C-X**.

Repeat these steps on other side of the greenhouse, and then mid roof line see **D**.



# MIDDLE ASSEMBLY INSTRUCTIONS CONTINUED

**5.21** Before you attach the **602A's** to the sides of the greenhouse you will need to loosen the **ML01** (nut) attached to the **L08C-X** and the base. See diagram **C**. Remove and set aside the **L08D-X** supports.

**1.** Once the bottom of one **L08C-X** is loosened set the **602A** onto the bolt of the **L08C-X**. Be sure the **602A** is aligned and sitting flush on top of the base kit. See **C** for reference.

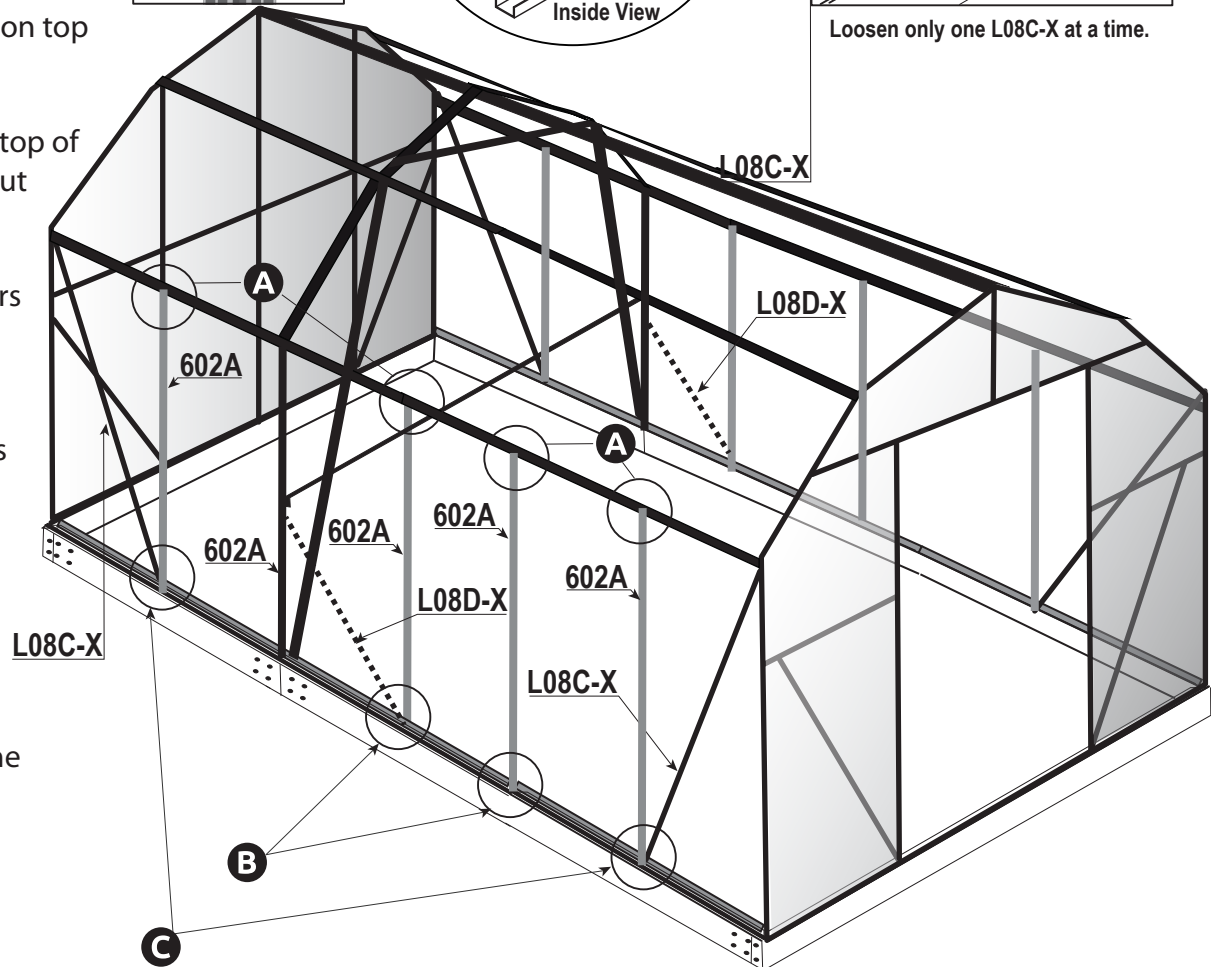
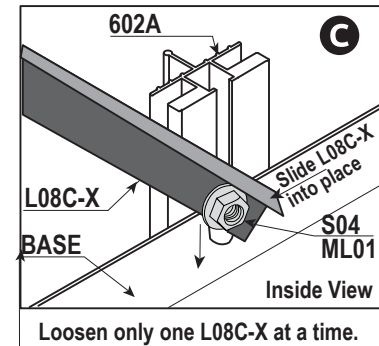
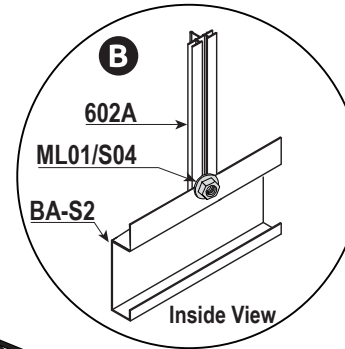
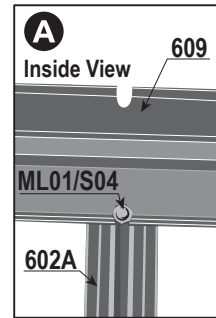
**2.** Hold the **602A** in place and attach the top of the **602A** to the **609** using **S04/ML01** (nut and bolt). As shown in **A**.

**3.** Repeat steps **1.** and **2.** on all four corners where the **L08C-X**'s meet the base kit.

**4.** Now attach the bottom of **602A** to the **Base** using a **S04/ML01** (nut and bolt) as shown in **B**, and to the **609** with an **S04/ML01** combo as is shown in **A**.

**5.** Repeat step **4.** on all places where a **602A** should go. You may reference diagrams at front for your exact size.

**Note:** Where the **L08C-X** reattaches to the **BASE** and the **602A** be sure to secure them tightly see **C**.



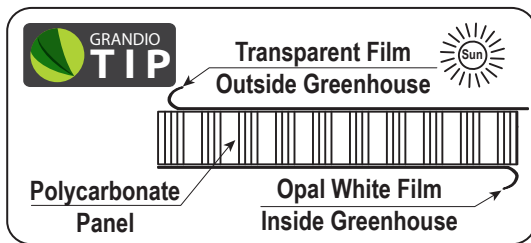
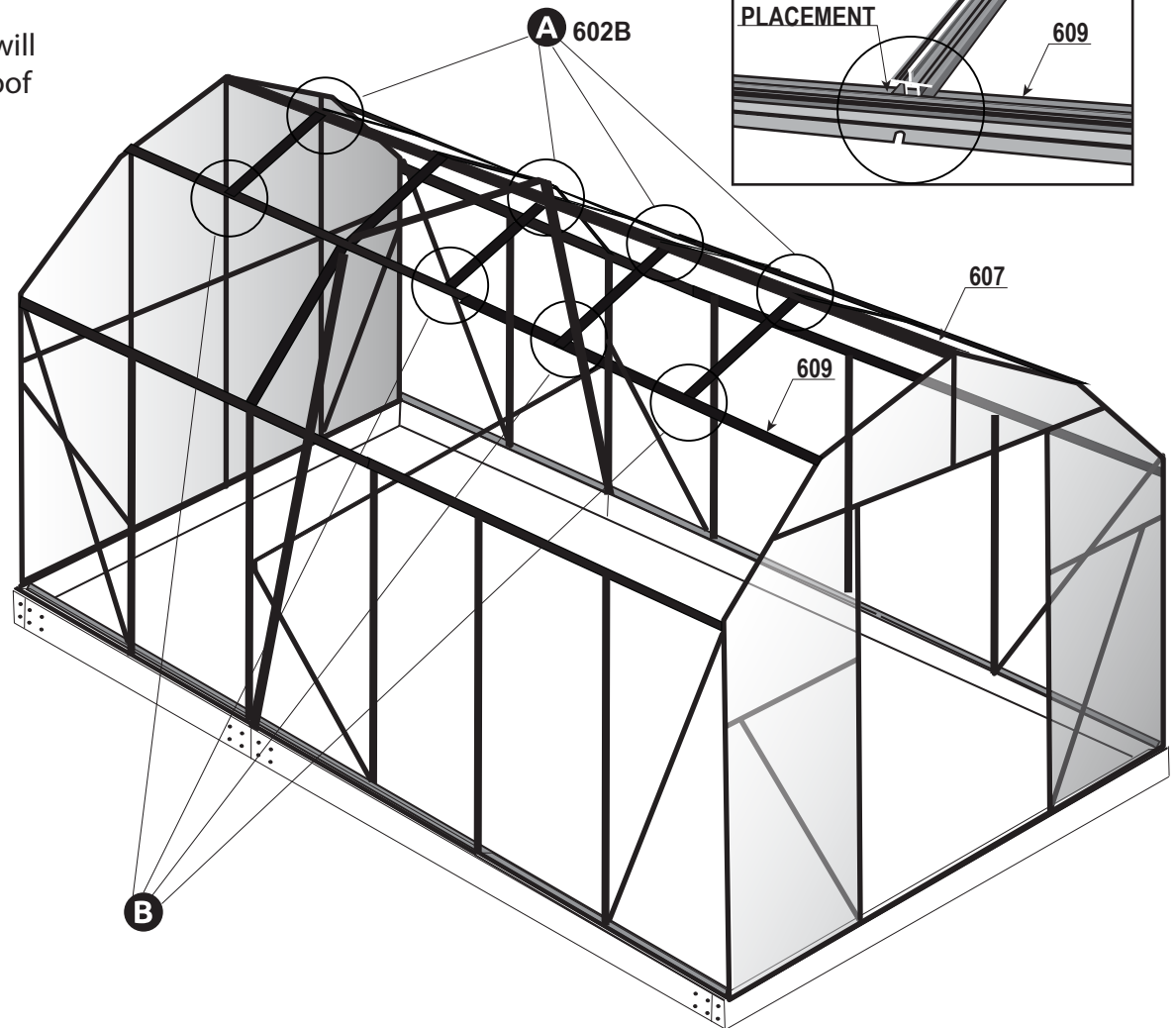
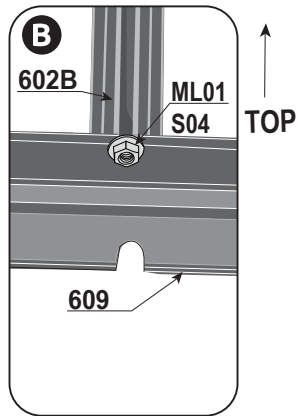
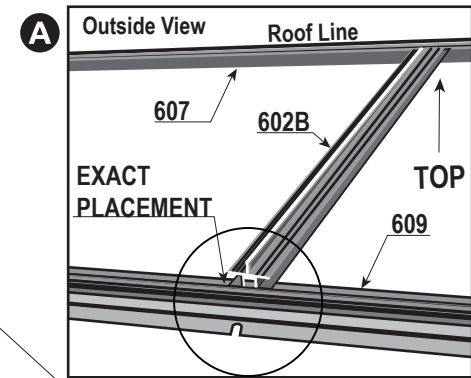
**STEP FIVE**

# MIDDLE ASSEMBLY INSTRUCTIONS CONTINUED

STEP FIVE

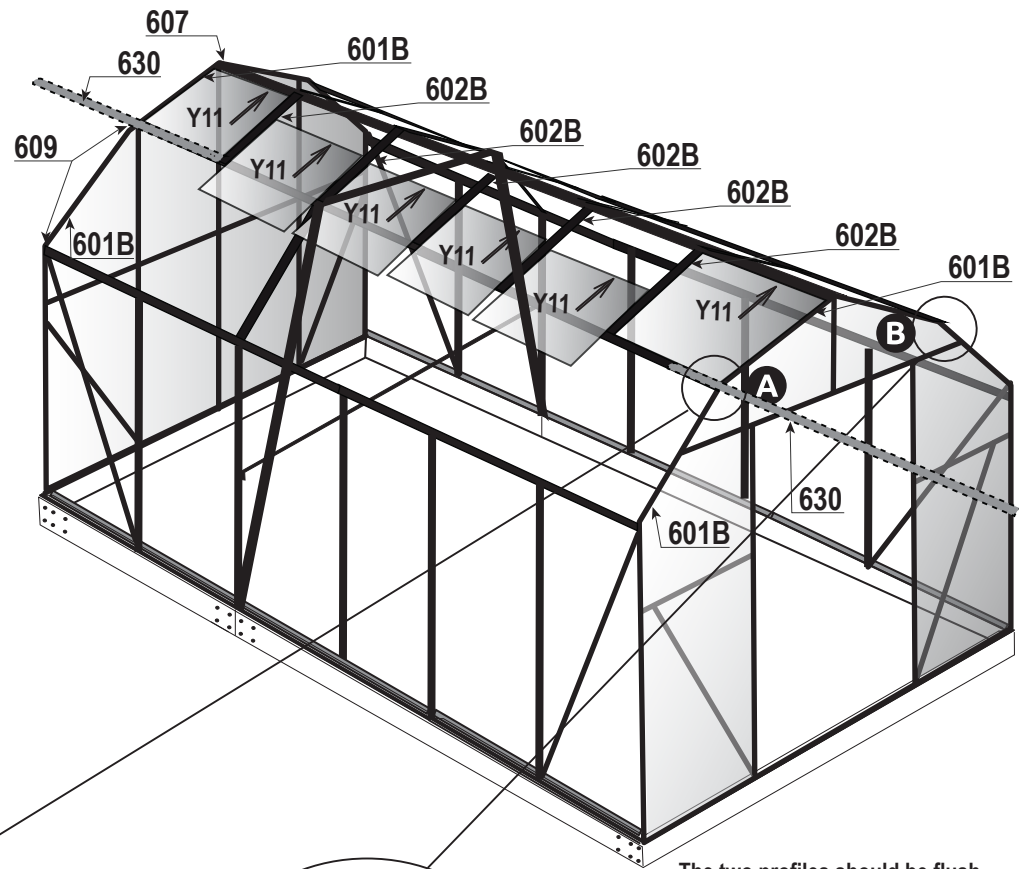
**5.22** Install only the upper roof line **602B's** between the **607** and the **609** along the entire upper roof line with **S04/ML01** (nut and bolt). See **A** and **B**. Repeat on other side of roof section.

**Do Not** attach lower roof **602B's** yet, they will get in your way when installing the upper roof panels and roof vents.

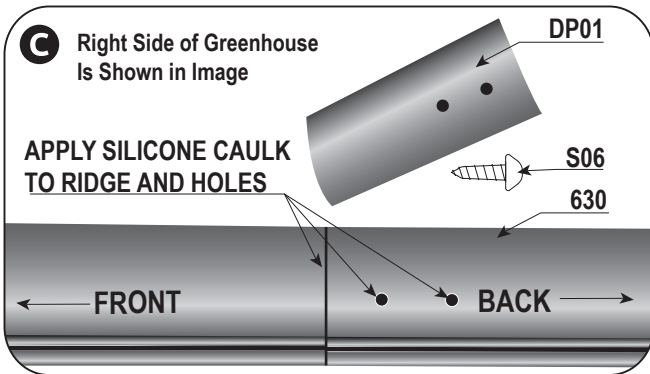


# MIDDLE ASSEMBLY INSTRUCTIONS CONTINUED

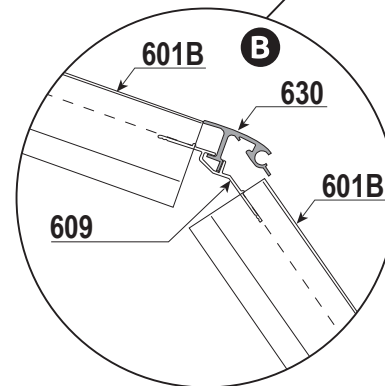
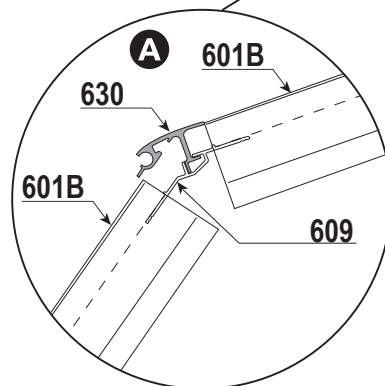
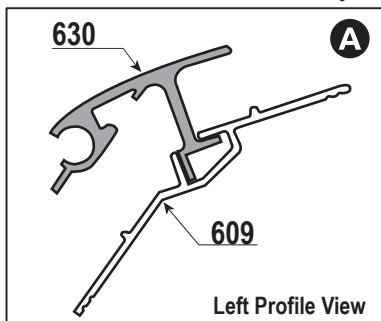
**5.23** Insert **Y11** panels to upper roof section then slide the **630** into the groove of the upper **609** as shown to hold **Y11**'s in place. See **A** and **B**. Note that you may need to loosen the bottoms of some of the **602B**'s to slide the **630**'s into place as the fit is very tight. Check that all nut and bolt combos are tightened again after installation of **630**'s. Note that there is a **630** in the extension box(s), make sure you install so the screw holes on the **630**'s align for the **DP03** to attach. Once the **630**'s are aligned apply a streak of silicone to the seam of the **630**'s, then align the **DP03** with the holes and affix into place with the **S06** screws provided. See **C**.



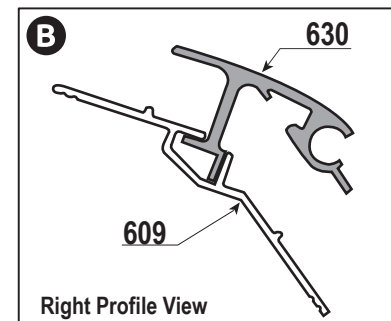
STEP FIVE



The two profiles should be flush at ends when installed correctly.



The two profiles should be flush at ends when installed correctly.



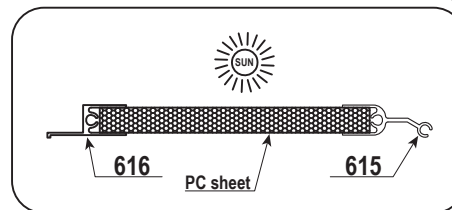
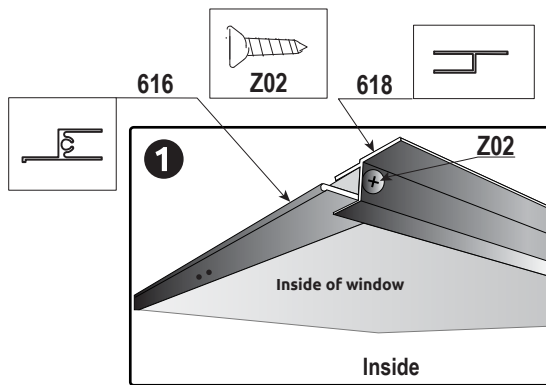
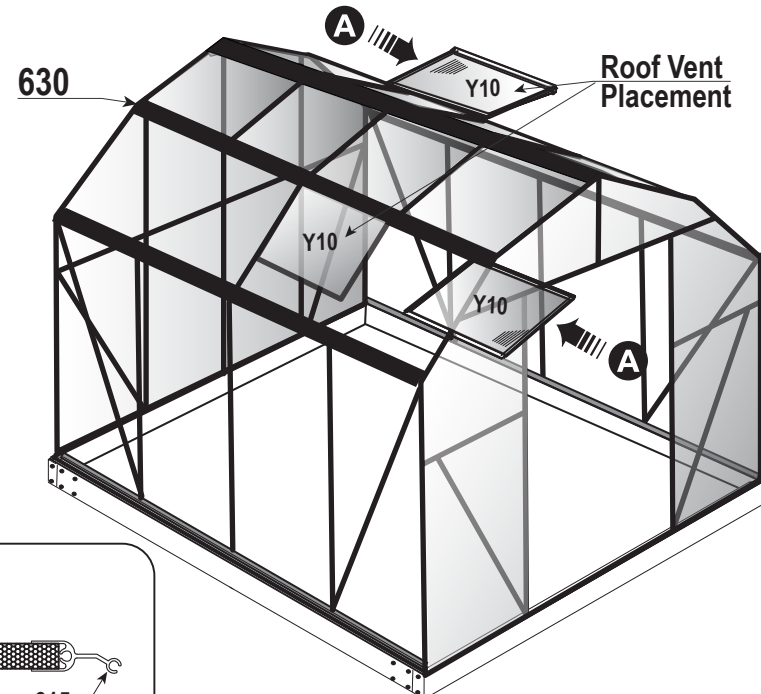


# MIDDLE ASSEMBLY INSTRUCTIONS CONTINUED

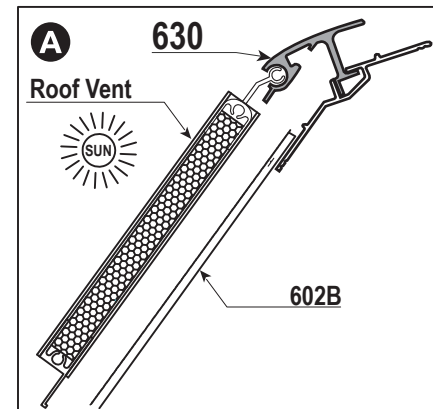
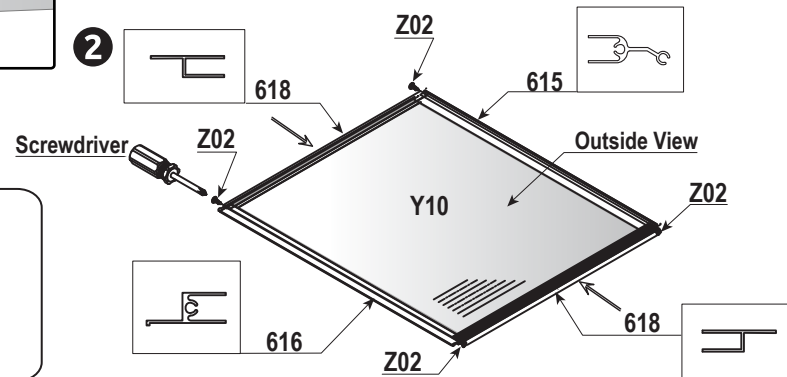
**STEP FIVE**

**5.24** Assemble the roof window vents as shown below in **1** and **2**, using the **Z02** screws attach the **615**, **616**, and **618**'s with the **Y10** panel as shown, be careful not to strip the screw heads. Pay attention to the **Y10** panel, as the stickers must face the sun.

**5.25** Insert assembled window into the end of the ridge of **630** and slide into position. See **A**. Window positions are your discretion however, must be in the middle for support, do not place nearest the front or back as you will need a **602B** support to keep in window vent in place. Place directly across from each other for best cross draft ventilation, see **A** for optional placement.



**Note Correct Orientation**



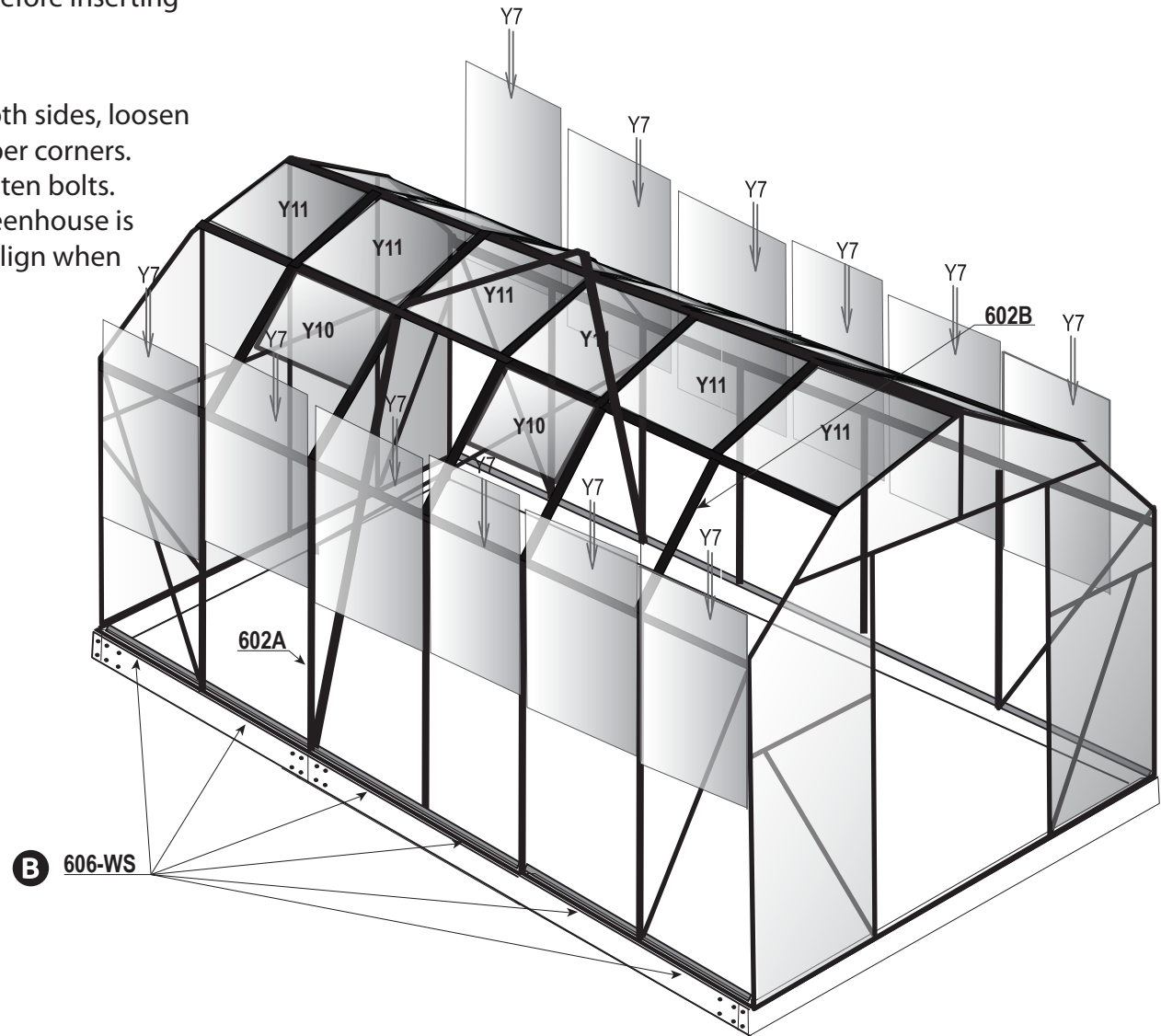
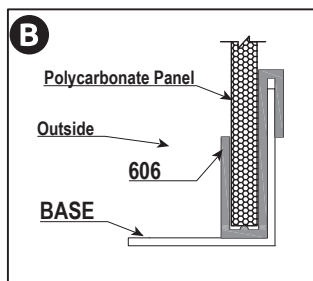
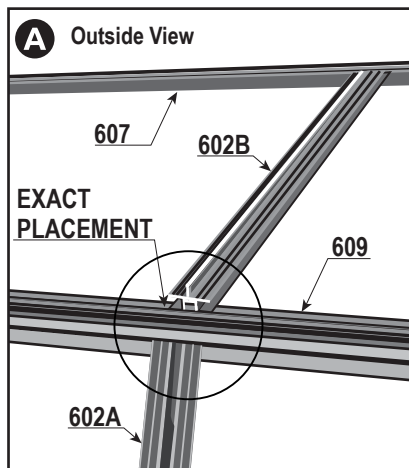
**GRANDIO TIP** Place roof windows in desired location before attaching all **602B**'s. Note and 8x12 has 3 windows, an 8x16 has 4 windows, an 8x20 has 5 windows and 8x24 has 6 windows.

# MIDDLE ASSEMBLY INSTRUCTIONS CONTINUED

**5.26** Attach all remaining **602B's** between the **609's**, after all roof vents are positioned see **A**.

**5.27** Install plastic strip **606-WS** before inserting polycarbonate sheet **Y7's**, see **B**.

**5.28** After **Y7's** are installed on both sides, loosen bolts attached to **L08C-X** in all upper corners. Using a level, adjust **602A** and tighten bolts. Repeat in every corner until the greenhouse is level or plumb. The top edges of **Y7's** will align when greenhouse is level or plumb.



STEP FIVE



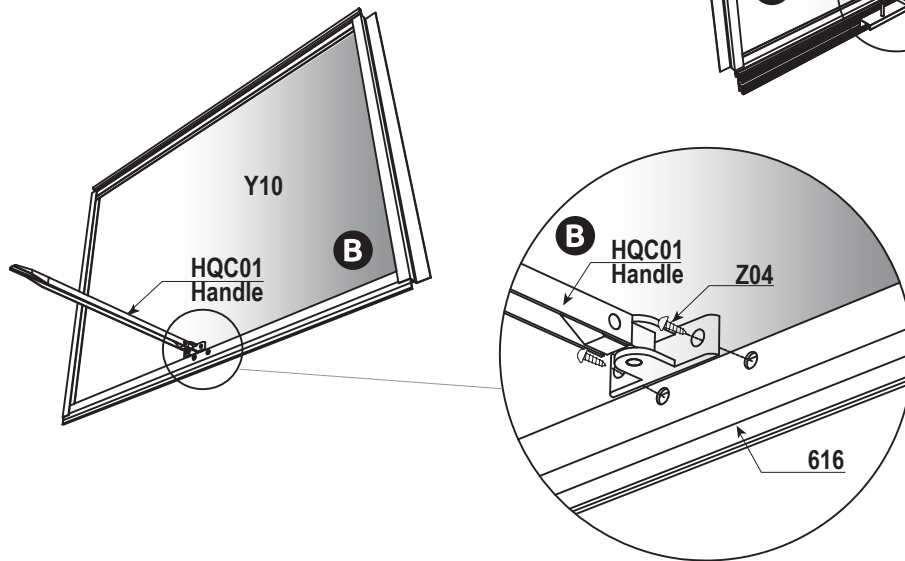
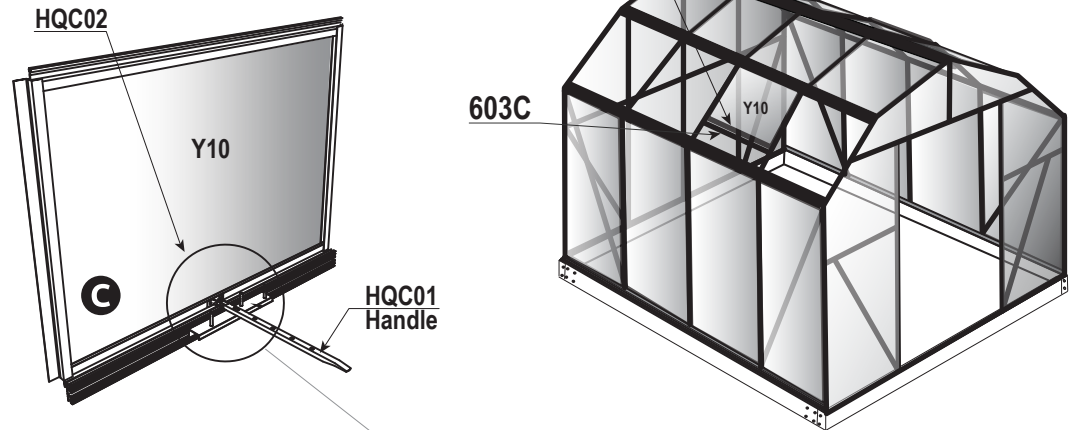
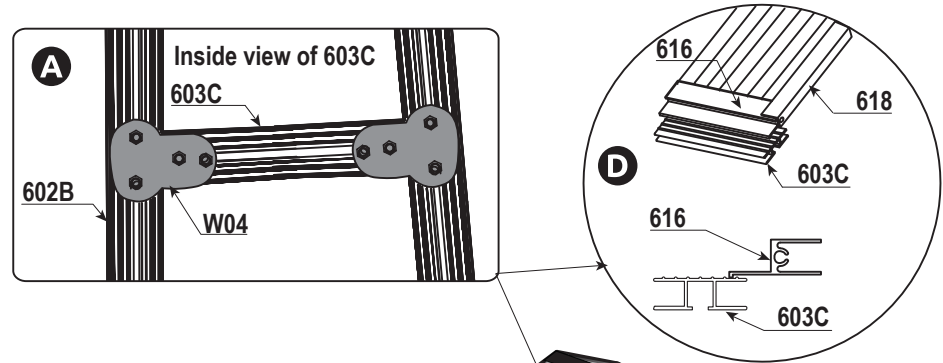
# MIDDLE ASSEMBLY INSTRUCTIONS CONTINUED

STEP FIVE

**5.29** To ensure there is no gap in roof vent position **603C** as shown in **D**. Connect **603C** to middle of **602B**'s using **W04** bracket as shown in **A**.

**5.30** Attach **HQC01** to **616** with the **Z04** screws see **B**, close roof vent and attach the handle onto **HQC02** middle pin (the first two holes of the handle to the second and third pins of **HQC02**). Then attach **HQC02** into **603C**'s track with **S04/ML01** (nuts and bolts), see **C**.

**Note:** If you are installing automatic roof vent openers follow those directions for correct installation. SAVE MANUAL HARDWARE FOR WINTER SWITCHOUT.

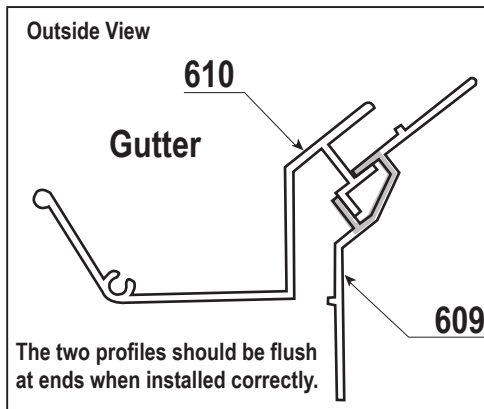
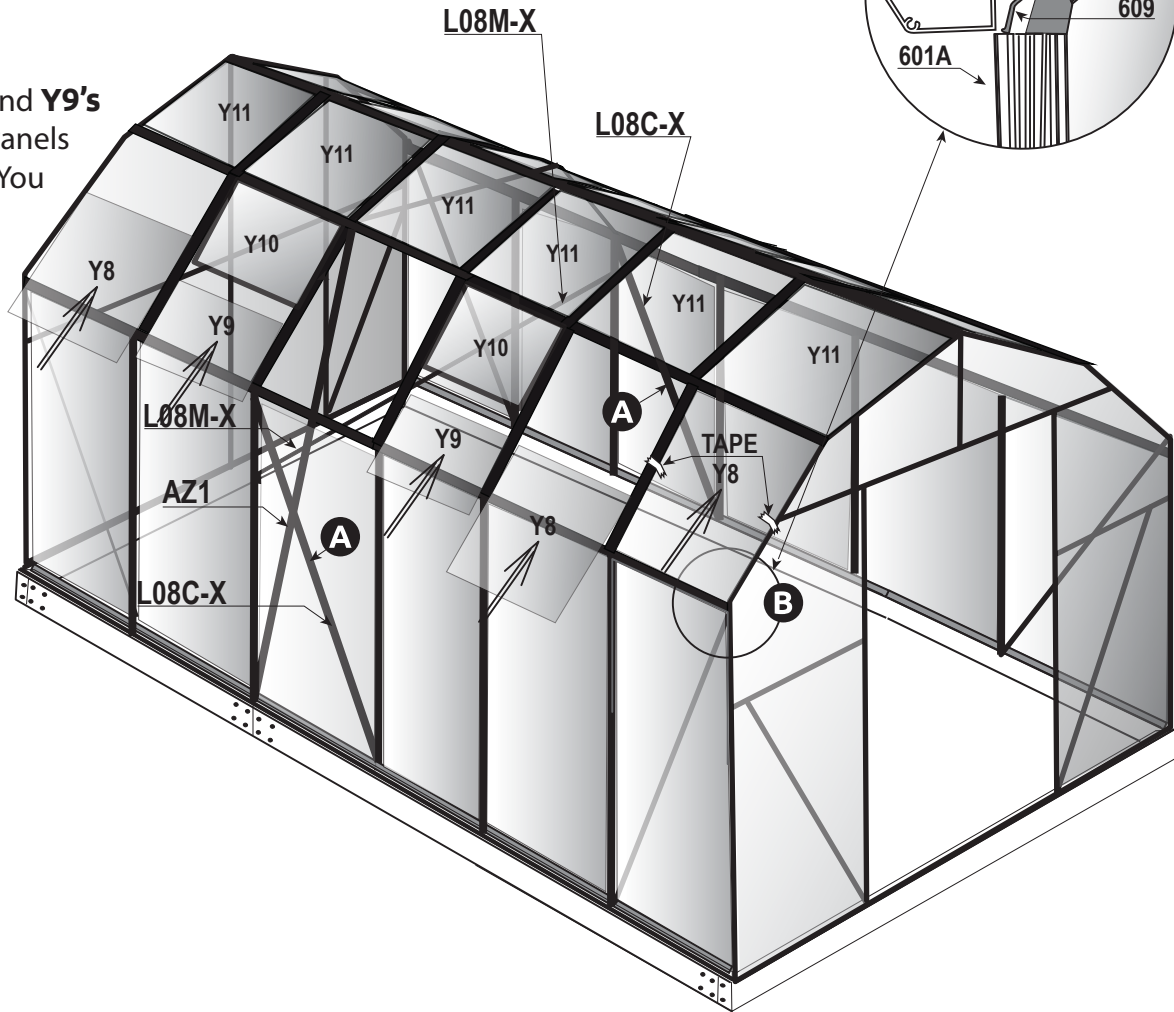
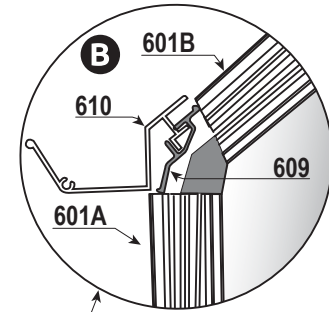


# MIDDLE ASSEMBLY INSTRUCTIONS CONTINUED

**5.31** Remove the **L08M-X** support combo, take apart and use as **L08C-X** now and install on the sides of the **AZ1** extension brace, as shown in **A**. Note that the **L08C-X** and **L08M-X** have been labeled with both stickers in this instance as this part has 2 uses. Save the hardware and **W14** bracket for possible future use or hang inside as a plant hanger clip.

**5.32** Insert polycarbonate sheets **Y8's** and **Y9's** into the lower roof of your greenhouse. Panels may slide out before gutters are in place. You may want to place a piece of tape on the panel to prevent sliding as shown in the diagram once the panels are in place.

**5.33** Slide **610 Gutters** into **609's** groove as shown in diagram **B**. Repeat on both sides. Note the orientation of the gutters, the extension gutters will be at the back and the holes should align with gutter down spout hole see next page.



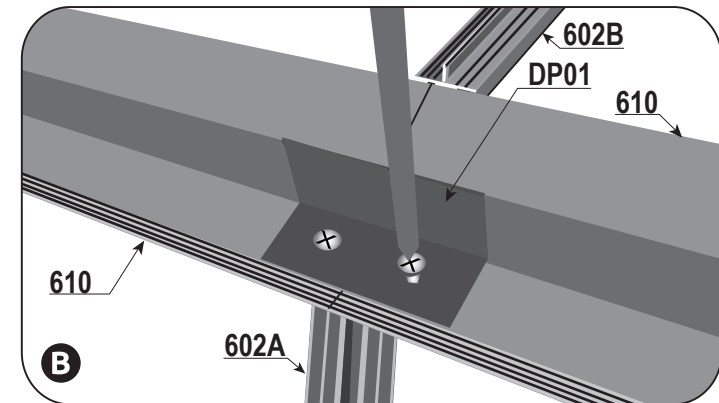
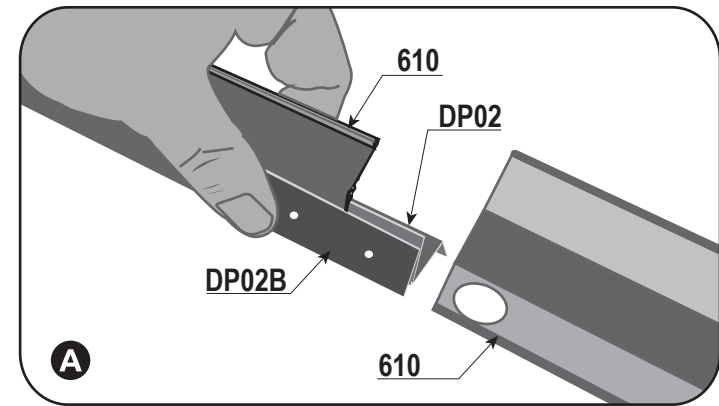
STEP FIVE

# MIDDLE ASSEMBLY INSTRUCTIONS CONTINUED

## STEP FIVE

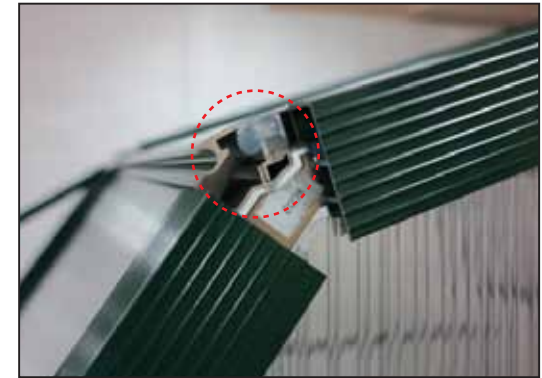
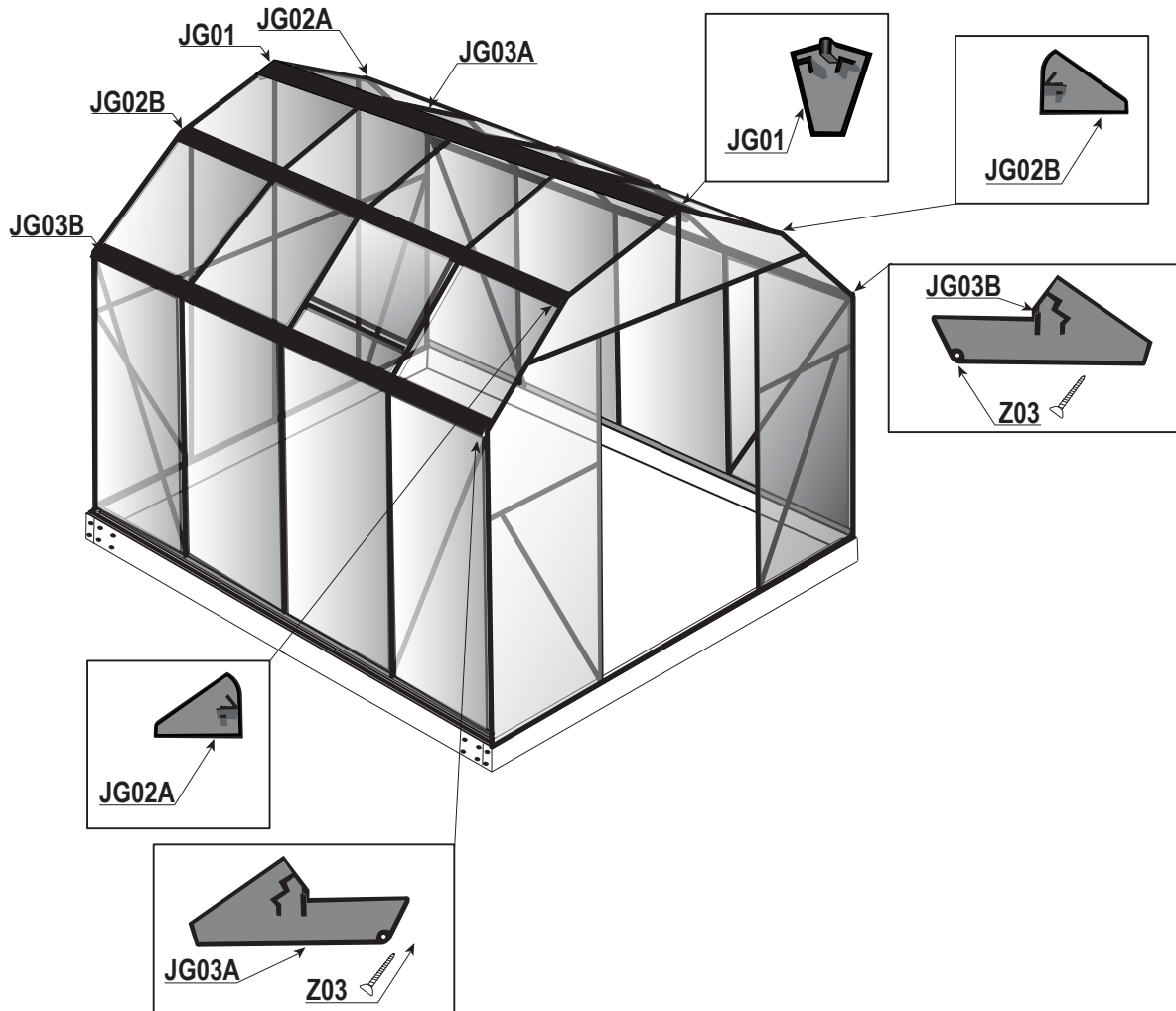
**5.34** Apply a small amount of the silicone caulk to the seam where the **610** gutters meet, then attach the **DP02** on the inside of the gutter and the **DP02B** will slide under the gutter and will rest above the **602A**. Apply silicone to the holes where the **S07** screws will attach the **610** gutters to the **DP02** and **DP02B**. Note the **DP02B** has pre-tapped holes to accept the screws and hold tight. See diagram **A** and **B**.

Repeat these steps to assemble the additional set(s) for both sides of your greenhouse.  
Remove the tape from the panels you may have used to hold in place.

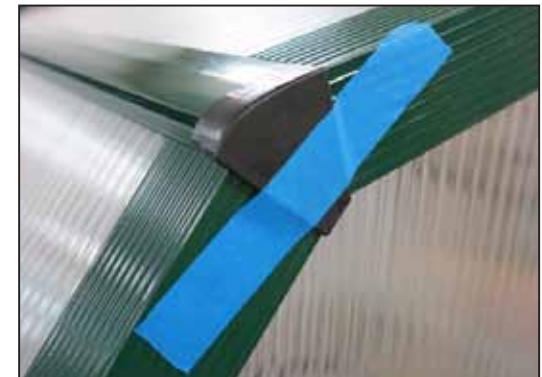


# MIDDLE ASSEMBLY INSTRUCTIONS CONTINUED

**5.34** Attach **JG01**, **JG02A**, **JG02B**, **JG03A** and **JG03B** end caps to the ridge, midroof and gutters on both front and back as shown below. Squeeze a small amount of rubberized silicone into the ends of ridge, mid roof, and gutters to secure pressure fit end caps, as shown in the images to the right. Use **Z03** screws to attach the **JG03A** and **JG03B** endcaps along with the silicone adhesive.



The two profiles should be flush at ends when installed correctly.



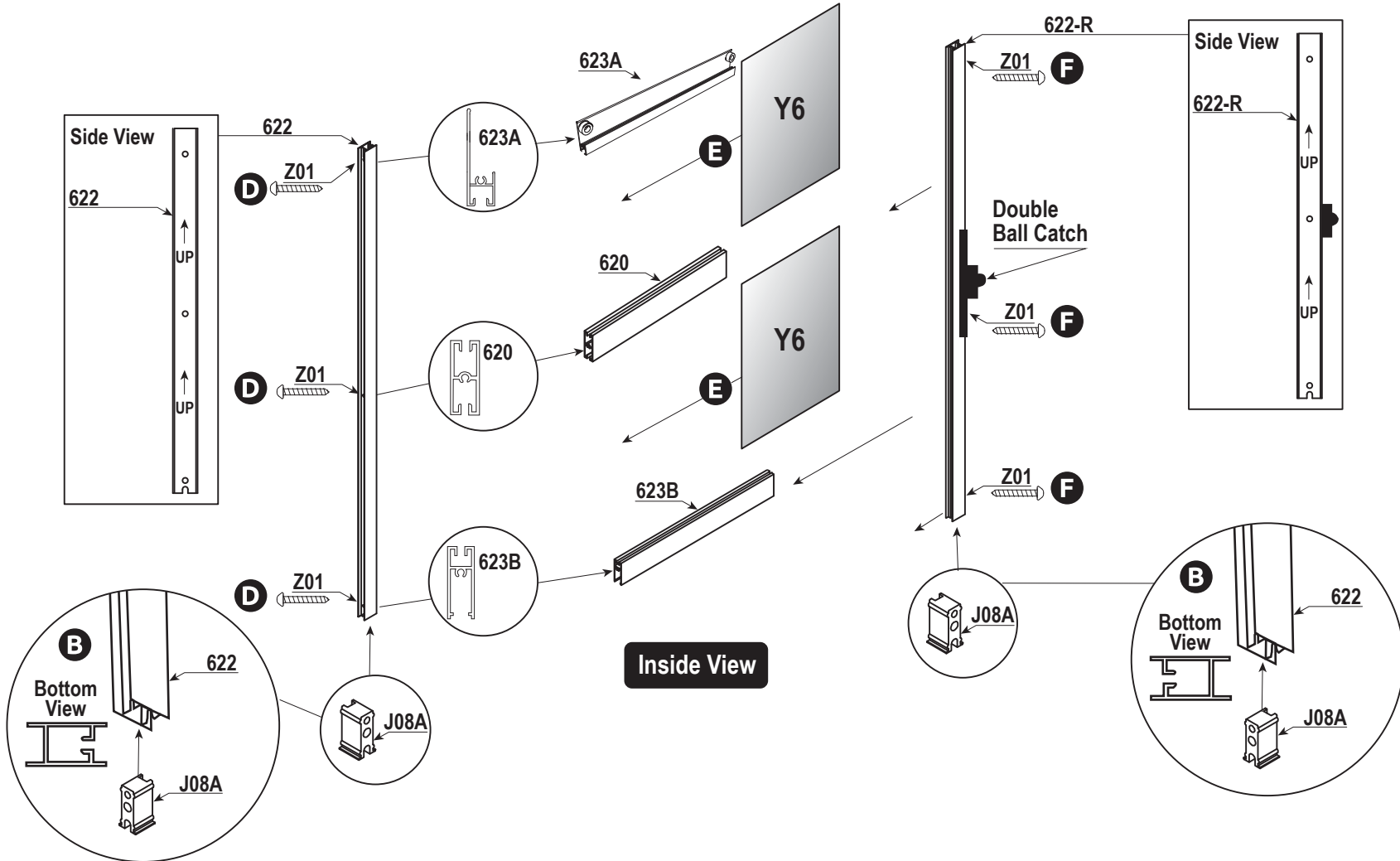
STEP FIVE

# DOOR ASSEMBLY DIAGRAM

This image shows the inside view of Right Door Assembly.  
 All parts for door assembly will be found in box GRA-ELI-8A and GRA-ELI-8P.

Use the #2 head Phillips Screw Driver for installation.

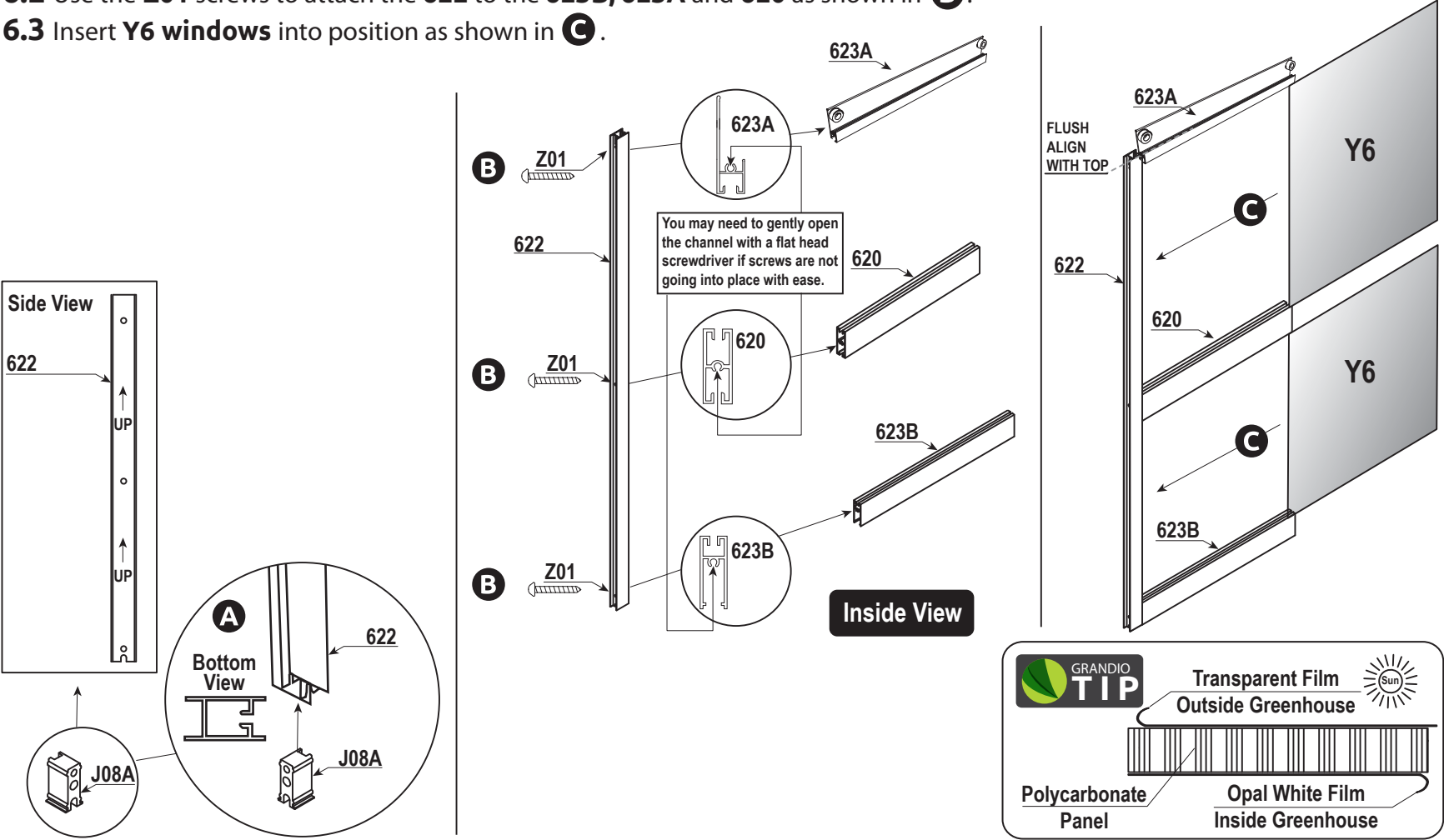
If you are using the Back Door Transformation kit you will repeat steps 6.1-6.11 to install the Back Door, these parts will be found in box GRA-ELI-BD.



# DOOR ASSEMBLY

We recommend you lay out all parts for both doors to make sure they match up correctly for hanging. Double check the orientation of what is inside versus outside and how the doors will hang on page 63-67. Make sure window panels face the right direction to the sun and note that the panels have predrilled holes for the handles to attach later and these need to be aligned with the lock mechanisms. This will save you from assembling the wrong way. Be careful not to strip the phillips heads when assembling.

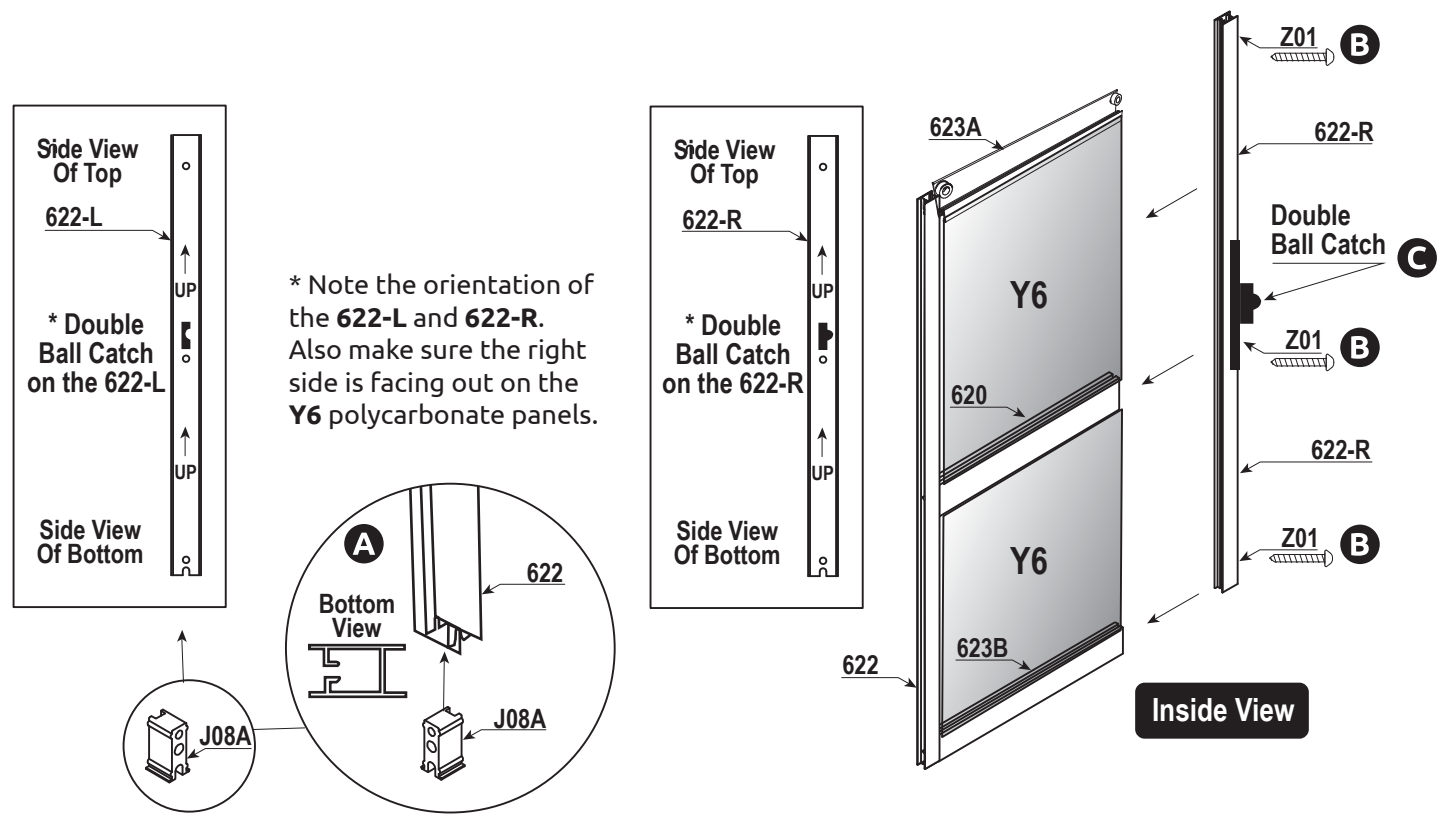
- 6.1** Insert **J08A** into the bottom of the **622**, note the bottom groove is smaller than the top groove of **622**, see **(A)**.
- 6.2** Use the **Z01** screws to attach the **622** to the **623B**, **623A** and **620** as shown in **(B)**.
- 6.3** Insert **Y6 windows** into position as shown in **(C)**.





# DOOR ASSEMBLY CONTINUED

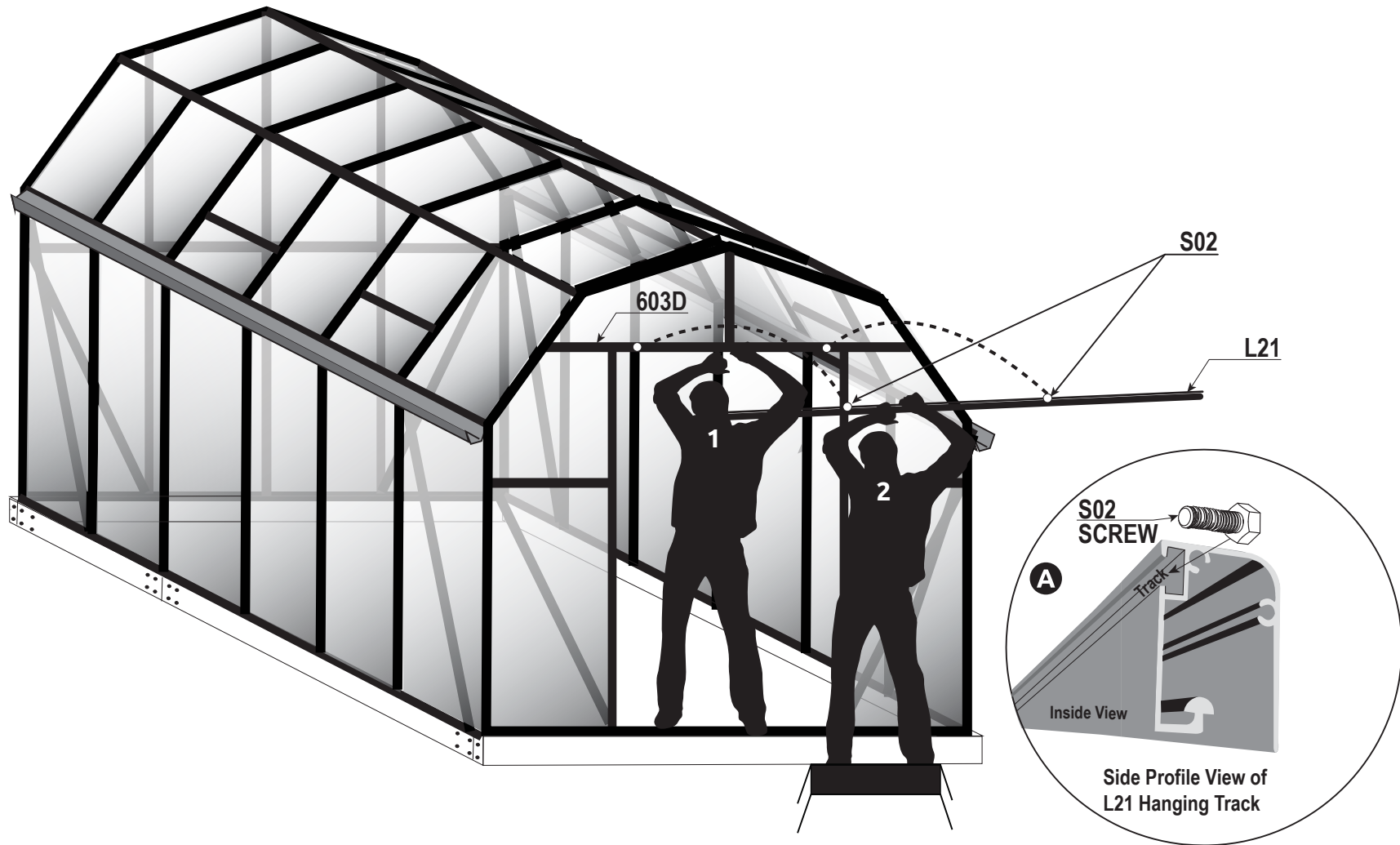
- 6.4** Insert **J08A** into the bottom of the **622-R** and **622-L**, note the bottom has a groove see **A**.
- 6.5** Attach the **622-L** to the **623B**, **623A** and **620** using the **Z01** screws as shown in **B**.
- 6.6** Follow the same instructions for the other door making sure that the **622-L** and **622-R** with the double ball catch match up so doors will latch closed and slide properly **C**.





# DOOR INSTALLATION

**6.7** Slide the (2) **S02** bolts down the track of the **L21** see **A**, align with the holes on the **603D** door header. With one person inside the greenhouse line up hanging door track **L21** with door header **603D**, move bolts on **L21** to line up with bolt holes on door header **603D**. From the inside hand tighten the **ML01** nut while the person outside is holding the **L21** in position, you will now center on the front of the greenhouse and tighten the **S02/ML01** combo.

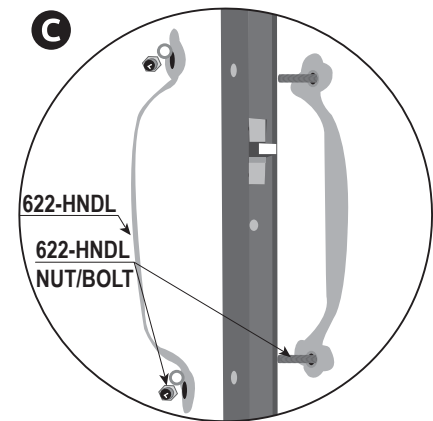
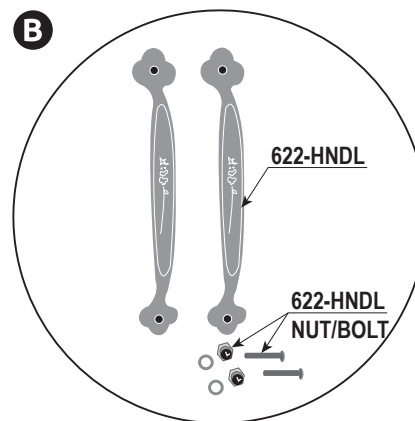
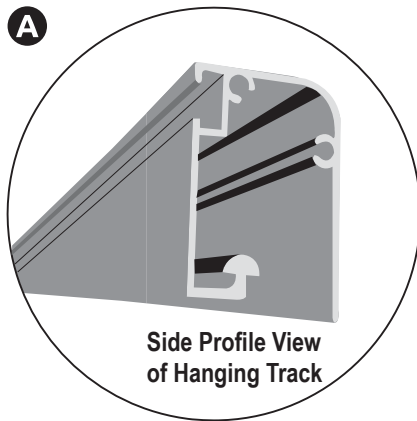
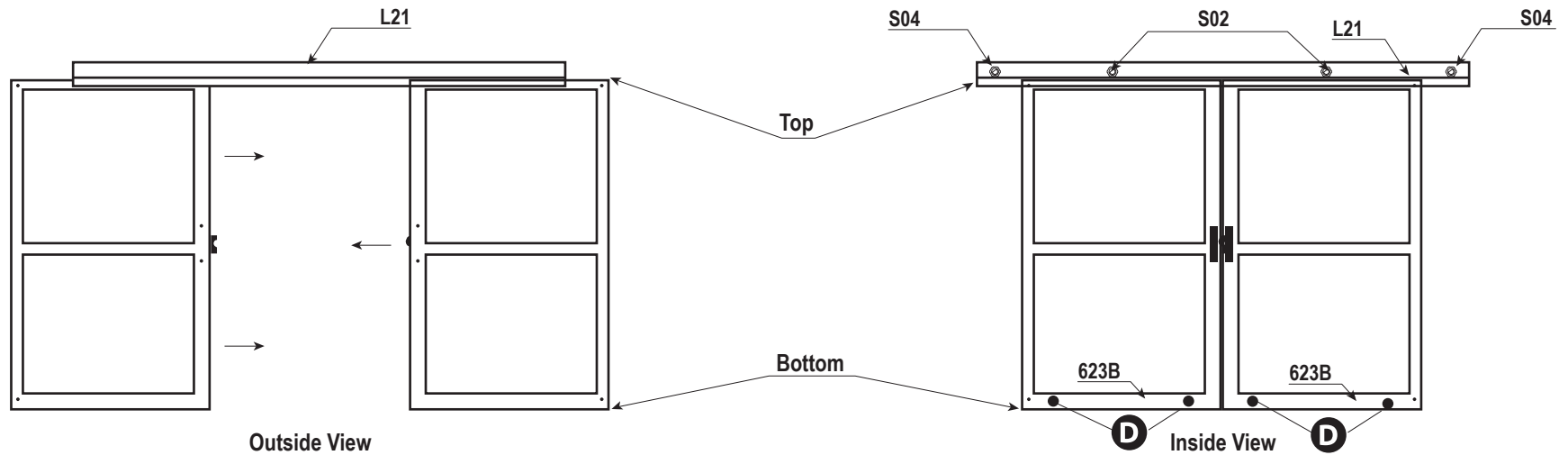


# DOOR INSTALLATION

**6.8** Separately slide the top of the doors in the left and right side of **L21**, see diagram **A**, until they latch in the middle.

**6.9** Attach the door handles **622-HNDL** to both doors using the **622-HNDL-NUT/BOLT** provided to both doors as shown below in **B**, and **C**.

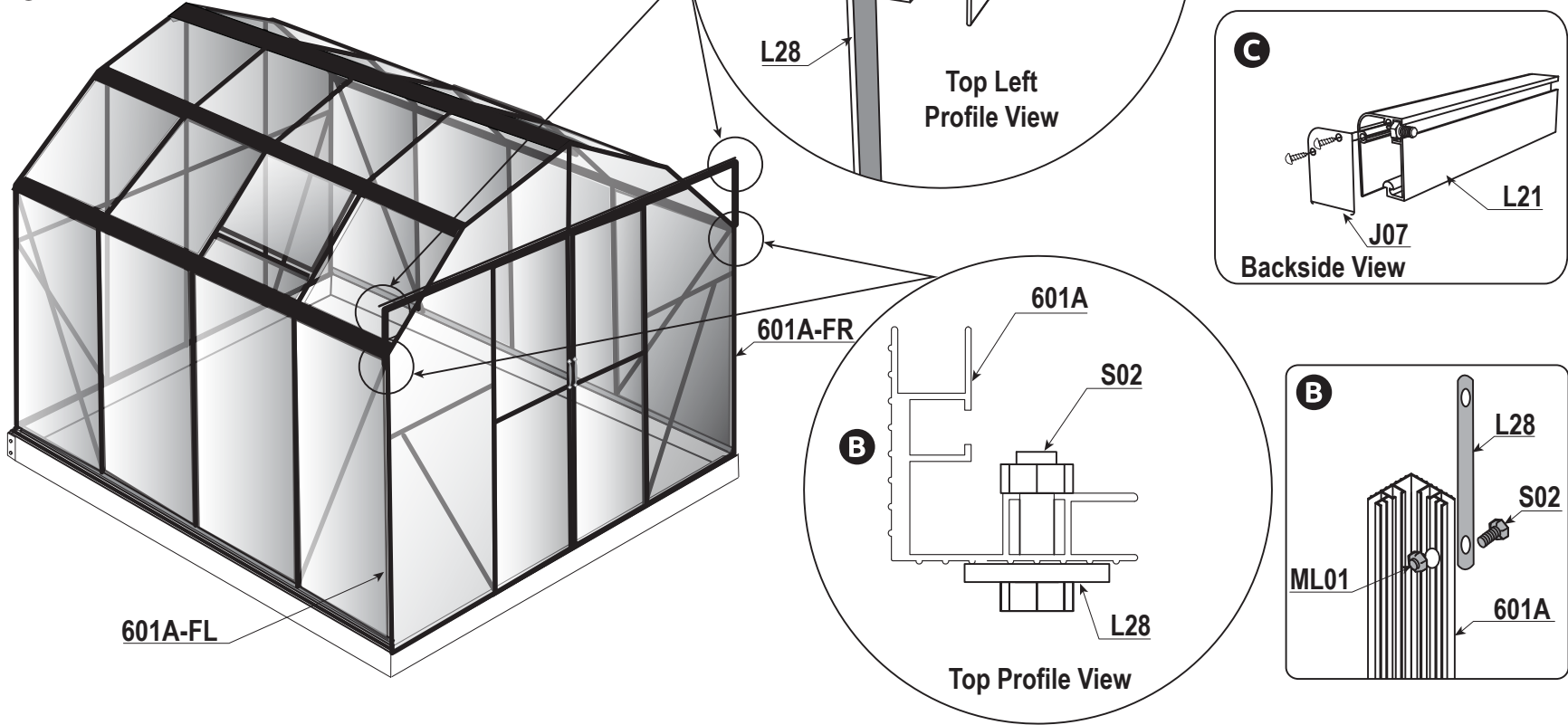
\*\*We included some felt dots in your Grandio Welcome Kit, please apply to the inside bottom edge of the **623B** as shown in **D**, these felt dots will make your doors fit snug and slide smoothly.



# DOOR INSTALLATION

**6.10** Attach **L28** to **L21** with **S04/ML01**, and **L28** to **601A** with **S02/ML01** as shown below in diagram **A** and **B**. Check that the **L21** and **L28**'s are square. Attach (2) **J07** to the ends of **L21** see **C**. The **L28** should align square to the **601A**.

**6.11** Check that the door locks are snug, you may adjust them with screwdriver if needed as they can be tightened or loosened.



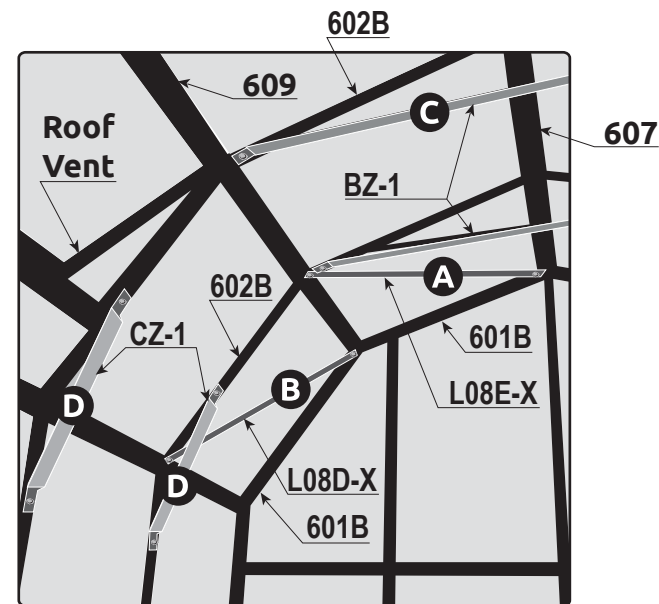
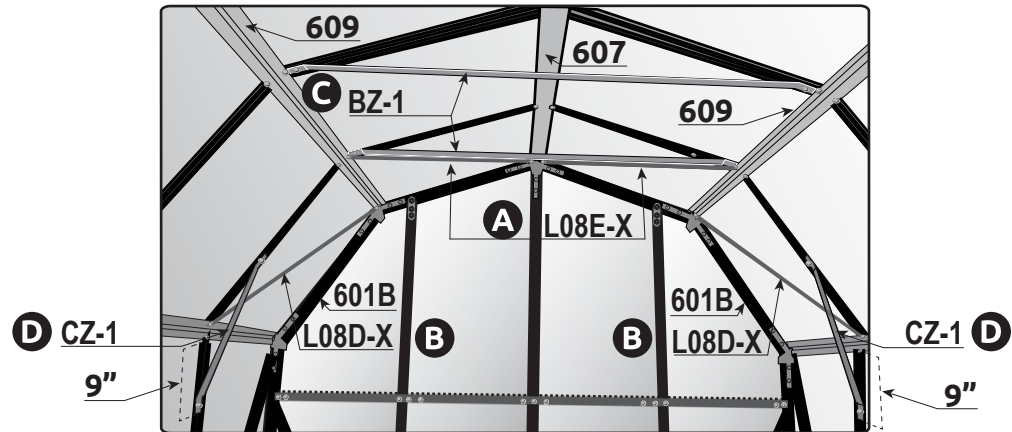
# INTERIOR ROOF SUPPORT ASSEMBLY

**7.1** Attach the **L08E-X** to the upper roof section as shown with **S04/ML01** fasteners already in place where the **607** meets the **601B**, and the **609** and the **602B** meet see **A**, repeat this on the front section of the greenhouse, and where extensions meet at the **AZ-1**.

**7.2** Attach the **L08D-X** to the rear lower roof section where **S04/ML01** fasteners are already in place where the **609** and the **602B** meet, and the **609** and the **601B** meet see **B**, repeat on the front section, and where the extensions meet the **AZ-1**.

**7.3** Attach the **BZ-1**'s to the roof line as shown in diagram **C** with the **S04/ML01**. The edge of the **BZ-1** should meet up to the edge of **609** exactly.

**7.4** Use **CZ-1**'s to support the interior wall at the eave using the **S04/ML01**. See diagram **D**. We suggest that you measure down **9"** and mark it with a pencil so the base of the **CZ-1** will meet there.




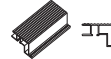




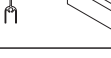



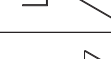
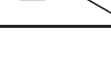
STEP SEVEN

You may remove all stickers now with Goo Gone remover if needed.

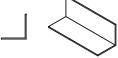
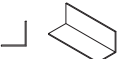
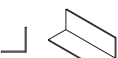
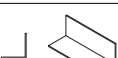
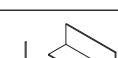
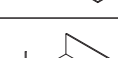

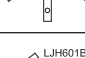
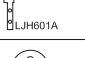
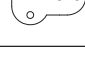
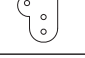
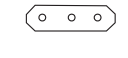
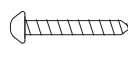
**Congratulations You Did It!!**

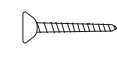


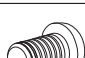







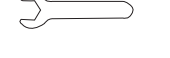

## (GRA-ELI-8A) 8x8 GRANDIO ELITE ALUMINUM PACKING LIST

GRAPHIC	PART NAME	SIZE/LOCATION	QUANTITY
	601A-B	56 9/16 in / 1437 mm BACK CORNERS	2
	601A-FL	56 9/16 in / 1437 mm FRONT LEFT CORNER	1
	601A-FR	56 9/16 in / 1437 mm FRONT RIGHT CORNER	1
	601B	29 7/16 in / 748 mm CORNER ROOF	8
	602A	56 9/16 in / 1437 mm	6
	602B	29 7/16 in / 748 mm	12
	602C	90 1/2 in / 2299 mm	1
	602D-R	83 1/4 in / 2115 mm	1
	602D-L	83 1/4 in / 2115 mm	1
	603C	21 7/8 in / 555 mm	8
	603D	72 3/16 in / 1833 mm	1
	603E	18 1/4 in / 463 mm	1
	619 PACK THRESHOLD BAR AND SCREW	94 1/4 in / 2394 mm	1




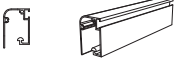
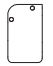



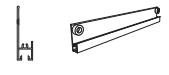
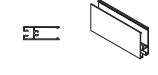
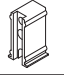
GRAPHIC	PART NAME	SIZE/LOCATION	QUANTITY
	604-R	70 3/4 in / 1797 mm FRONT RIGHT	1
	604-L	70 3/4 in / 1797 mm FRONT LEFT	1
	607	94 1/4 in / 2394 mm	1
	606-WS	21 3/4 in / 553 mm	14
	609	94 1/4 in / 2394 mm	4
	610	94 3/8 in / 2397 mm	2
	615	22 3/4 in / 578 mm	2
	616	22 3/4 in / 578 mm	2
	618	19 11/16 in / 500 mm	4
	630	94 3/8 in / 2397 mm	2
	L08A NOTE THESE ARE PACKED TOGETHER	94 1/4 in / 2394 mm	1
	L08B	94 1/4 in / 2394 mm	1

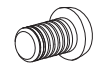



### (GRA-ELI-8A) 8x8 GRANDIO ELITE ALUMINUM PACKING LIST

GRAPHIC	PART NAME	SIZE/LOCATION	QUANTITY
	L08D	24 3/16 in / 614 mm	2
	L08A-X	52 1/4 in / 1327 mm	2
	L08B-X	51 3/16 in / 1300 mm	2
	L08C-X	61 1/32 in / 1550 mm	4
	L08D-X	37 13/16 in / 960 mm	4
	L08E-X	38 11/16 in / 957 mm	4
	WG01	FRONT & BACK	2
	WG02	FRONT & BACK	8
	W04	ROOF LINE	5
	W04-1	BACK WALL	2
	W04-2	CONNECTOR	4
	Z01	M4*30 SCREWS FOR DOORS	13
	Z02	M4.6*16 SCREWS FOR ROOF VENTS	9

GRAPHIC	PART NAME	SIZE/LOCATION	QUANTITY
	Z03	M3*25	4
	S02	M6*20	6
	ML01/S04	M6*14	150
	S05	M6*10 SCREWS FOR WG01 AND WG02	45
	Z04, S04/ML01	ROOF VENT HARDWARE	4
	HQC01	ROOF VENT ARM	2
	HQC02	ROOF VENT LATCH	2
	L28	19 9/16 in / 497 mm	2
	W11	SCREW DRIVER	1
	W13	MULTI-DRIVER	1
	W16	10 MM NUT DRIVER	1
	BZ-1	56 1/2 in / 1435 mm	3
	CZ-1	23 5/8 in / 600 mm	6

**(GRA-ELI-8A) 8'x8' GRANDIO ELITE ALUMINUM PACKING LIST**
















GRAPHIC	PART NAME	SIZE/LOCATION	QUANTITY
	622-HNDL	DOOR HANDLES	4
	622-HNDL NUT/BOLT	DOOR HARDWARE	4
	620	21 7/16 in / 545 mm	2
	L21	95 1/2 in / 2425 mm	1
	J07	L21 END CAP	2
	622	69 11/16 in / 1770 mm	2
	622-L	69 11/16 in / 1770 mm	1
	622-R	69 11/16 in / 1770 mm	1
	623A	21 7/16 in / 545 mm	2
	623B	21 7/16 in / 545 mm	2
	J08A	DOORS	4

GRAPHIC	PART NAME	SIZE/LOCATION	QUANTITY
	S10	M6*16 ATTACHES 619 TO BASE	10
	JG01	RIDGE END CAP	2
	JG02 A/B	MID ROOF END CAP	2/2
	JG03 A/B	GUTTER END CAP	2/2

PARTS LIST FOR GRA-ELI-8A



## (GRA-ELI-8P) 8'x8' ELITE PANEL BOX PACKING LIST

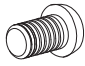


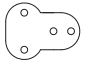
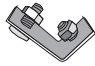


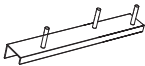

GRAPHIC	NAME	SIZE/LOCATION	WIDTH	HEIGHT 1	HEIGHT 2	QTY
	Y1	FRONT & BACK PANEL	22 3/4 in / 578 mm	47 5/16 in / 1202 mm		6
	Y2-1	FRONT PANEL	22 3/4 in / 578 mm	9 1/16 in / 230 mm	23 in / 585 mm	1
	Y2-2	FRONT PANEL	22 3/4 in / 578 mm	23 in / 585 mm	9 1/16 in / 230 mm	1
	Y3-1	FRONT PANEL	35 1/2 in / 902 mm	9 15/16 in / 252 mm	19 1/8 in / 486 mm	1
	Y3-2	FRONT PANEL	35 1/2 in / 902 mm	19 1/8 in / 486 mm	9 15/16 in / 252 mm	1
	Y4-1	BACK PANEL	22 3/4 in / 578 mm	9 1/16 in / 230 mm	35 3/16 in / 894 mm	1
	Y4-2	BACK PANEL	22 3/4 in / 578 mm	35 3/16 in / 894 mm	9 1/16 in / 230 mm	1
	Y5-1	BACK PANEL	22 3/4 in / 578 mm	35 7/16 in / 900 mm	42 13/16 in / 1087 mm	1
	Y5-2	BACK PANEL	22 3/4 in / 578 mm	42 13/16 in / 1087 mm	35 7/16 in / 900 mm	1
	Y6	DOOR PANEL	22 3/4 in / 578 mm	34 in / 864 mm		4
	Y7	SIDE WALL PANEL	22 3/4 in / 578 mm	57 in / 1447 mm		8
	Y8	ROOF PANEL	22 3/4 in / 578 mm	30 5/8 in / 778 mm		6
	Y9	UNDER ROOF VENT	22 3/4 in / 578 mm	8 7/8 in / 225 mm		2
	Y10	ROOF VENT PANEL	22 3/4 in / 578 mm	19 1/8 in / 486 mm		2
	Y11	ROOF PANEL	22 3/4 in / 578 mm	30 3/8 in / 772 mm		8

## (GRA-ELI-4X) ELITE 4' EXTENSION ALUMINUM PACKING LIST






GRAPHIC	PART NAME	SIZE/LOCATION	QUANTITY
	602A	56 9/16 in / 1437 mm	4
	602B	29 7/16 in / 748 mm	8
	603C	21 7/8 in / 555 mm	1
	L08C-X / L08M-X	61 in / 1550 mm	2
	L08D-X	37 13/16 in / 960 mm	2
	L08E-X	37 11/16 in / 957 mm	2
	607	46 3/4 in / 1187 mm	1
	607-XS	ROOF CONNECTOR	1
	DP01	ROOF CONNECTOR	1
	609	46 3/4 in / 1187 mm	4
	609-XS	EAVE CONNECTOR	4
	DP03	630 CONNECTOR	2
	606-WS	21 3/4 in / 553 mm	4

GRAPHIC	PART NAME	SIZE/LOCATION	QUANTITY
	610	46 3/4 in / 1187 mm	2
	DP02	GUTTER BRACKET	2
	DP02B	GUTTER BRACKET	2
	630	46 3/4 in / 1187 mm	2
	615	22 3/4 in / 578 mm	1
	616	22 3/4 in / 578 mm	1
	618	19 11/16 in / 500 mm	1
	AZ-1, S02/ML01	86 1/4 in / 2190 mm EXTENSION SUPPORT	2
	BZ-1	56 1/2 in / 1435 mm ROOF SUPPORT	2
	CZ-1	23 5/8 in / 600 mm EAVE SUPPORT	2
	Z02	5X12 MM SCREWS FOR ROOF VENT	5
	S04 / ML01	M6*14	50
	S06	4*10 ATTACHES DP01 TO 607	3

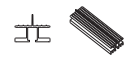
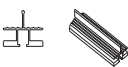
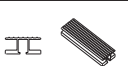
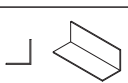
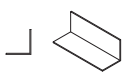
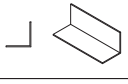

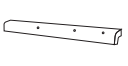

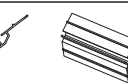


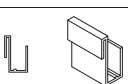
**(GRA-ELI-4X) ELITE 4' EXTENSION ALUMINUM PACKING LIST**




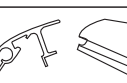

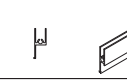
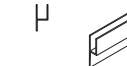
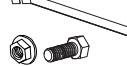

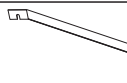


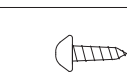
GRAPHIC	PART NAME	SIZE/LOCATION	QUANTITY
	S07	M5*8 SCREW FOR DP02 AND DP02B	5
	S08	M6*16 ATTACHES 607-XS TO 607	5
	S09	M4*6 ATTACHES 609-XS TO 609	20
	W04	CONNECTOR FOR 603C	2
	W14	L08M-X BRACKET	2
	W15	LARGE WASHER NOT FOR USE IN THIS UNIT	2
	HQC01	ROOF VENT ARM	1
	HQC02	ROOF VENT LATCH	1
	Z04, S04/ML01	ROOF VENT HARDWARE	4 EACH

### 4X ELITE 4' EXTENSION PANEL BOX PACKING LIST

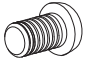
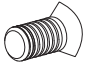
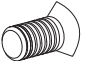
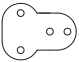



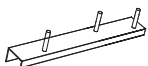

GRAPHIC	NAME	SIZE/LOCATION	WIDTH	HEIGHT 1	HEIGHT 2	QTY
	Y7	SIDE WALL PANEL	22 3/4 in / 578 mm	57 in / 1447 mm		4
	Y8	ROOF PANEL	22 3/4 in / 578 mm	30 5/8 in / 778 mm		3
	Y9	UNDER ROOF VENT	22 3/4 in / 578 mm	8 7/8 in / 225 mm		2
	Y10	ROOF VENT PANEL	22 3/4 in / 578 mm	19 1/8 in / 486 mm		1
	Y11	ROOF PANEL	22 3/4 in / 578 mm	30 3/8 in / 772 mm		4

## (GRA-ELI-8XA) ELITE 8' EXTENSION ALUMINUM PACKING LIST


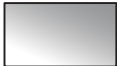



GRAPHIC	PART NAME	SIZE/LOCATION	QUANTITY
	602A	56 9/16 in / 1437 mm	8
	602B	29 7/16 in / 748 mm	16
	603C	21 7/8 in / 555 mm	2
	L08C-X / L08M-X	61 in / 1550 mm	2
	L08D-X	37 13/16 in / 960 mm	2
	L08E-X	37 11/16 in / 957 mm	2
	607	93 7/16 in / 2374 mm	1
	607-XS	ROOF CONNECTOR	1
	DP01	ROOF CONNECTOR	1
	609	93 7/16 in / 2374 mm	4
	609-XS	EAVE CONNECTOR	4
	DP03	630 CONNECTOR CAP	2
	606-WS	21 3/4 in / 553 mm	8

GRAPHIC	PART NAME	SIZE/LOCATION	QUANTITY
	610	94 1/4 in / 2374 mm	2
	DP02	GUTTER BRACKET	2
	DP02B	GUTTER BRACKET	2
	630	93 7/16 in / 2374 mm	2
	615	22 3/4 in / 578 mm	2
	616	22 3/4 in / 578 mm	2
	618	19 11/16 in / 500 mm	4
	AZ-1	86 1/4 in / 2190 mm EXTENSION SUPPORT	2
	BZ-1	56 1/2 in / 1435 mm ROOF SUPPORTS	4
	CZ-1	23 5/8 in / 600 mm EAVE SUPPORTS	6
	Z02	M4.6*16 SCREWS FOR ROOF VENTS	9
	S04 / ML01	M6*14	90
	S06	M4*10 ATTACHES DP01 TO 607	3

## (GRA-ELI-8XA) 8X GRANDIO ELITE ALUMINUM PACKING LIST



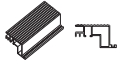
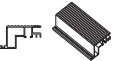
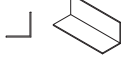





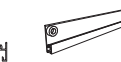

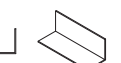
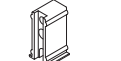

GRAPHIC	PART NAME	SIZE/LOCATION	QUANTITY
	S07	M5*8 SCREW FOR DP02 AND DP02B	5
	S08	M6*16 ATTACHES 607-XS TO 607	5
	S09	M4*6 ATTACHES 609-XS TO 609	20
	W04	CONNECTOR FOR 603C	4
	W14	L08M-X BRACKET	2
	W15	LARGE WASHER NOT USED IN THE UNIT	2
	HQC01	ROOF VENT ARM	2
	HQC02	ROOF VENT LATCH	2
	Z04, S04/ML01	ROOF VENT HARDWARE	4

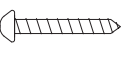

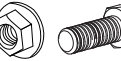
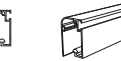

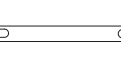


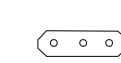





**(GRA-ELI-8XP) GRANDIO ELITE 8 EXTENSION PANEL BOX PACKING LIST**

GRAPHIC	NAME	SIZE/LOCATION	WIDTH	HEIGHT 1	HEIGHT 2	QTY
	Y7	SIDE WALL PANEL	22 3/4 in / 578 mm	57 in / 1447 mm		8
	Y8	ROOF PANEL	22 3/4 in / 578 mm	30 5/8 in / 778 mm		6
	Y9	UNDER ROOF VENT	22 3/4 in / 578 mm	8 7/8 in / 225 mm		2
	Y10	ROOF VENT PANEL	22 3/4 in / 578 mm	19 1/8 in / 486 mm		2
	Y11	ROOF PANEL	22 3/4 in / 578 mm	30 3/8 in / 772 mm		8



## (GRA-ELI-BD) GRANDIO ELITE BACKDOOR PACKING LIST

GRAPHIC	PART NAME	SIZE/LOCATION	QUANTITY
	603D	72 3/16 in / 1833 mm BACK WALL	1
	603E	18 1/4 in / 463 mm BACK WALL	1
	604R	70 3/4 in / 1797 mm FRONT RIGHT DOOR	1
	604L	70 3/4 in / 1797 mm FRONT LEFT DOOR	1
	L08D	24 3/16 in / 614 mm	2
	619	94 1/4 in / 2394 mm	1
	622	69 11/16 in / 1770 mm	2
	622R	69 11/16 in / 1770 mm	1
	622L	69 11/16 in / 1770 mm	1
	620	21 7/16 in / 545 mm	2
	623A	21 7/16 in / 545 mm	2
	623B	21 7/16 in / 545 mm FRONT RIGHT	2
	L08A-X	52 1/4 in / 1327 mm CROSS SUPPORT	2
	J08A	DOOR	4
	622-DOOR HANDLES	DOOR HANDLES	4

GRAPHIC	PART NAME	SIZE/LOCATION	QUANTITY
	Z01	M4*30 SCREWS FOR DOORS	13
	ML01/S04	M6*10	35
	ML01/S02	M6*20	4
	L21	95 1/2 in / 2425 mm	1
	J07	L21 ENDCAP	2
	L28	19 9/16 in / 497 mm FRONT RIGHT	2
	W04	CONNECTOR BRACKET	1
	W04-1	FRAME CONNECTOR	2
	W04-2	FRAME CONNECTOR	2
	Y3-1	UPPER ROOF PANEL	1
	Y3-2	UPPER ROOF PANEL	1
	Y2-1	BACK WALL SIDE	1
	Y2-2	BACK WALL SIDE	1
	Y6	DOOR PANELS	4

PARTS LIST FOR GRA-ELI-BD

# Grandio Greenhouse Limited Lifetime Warranty

- 1.** Grandio Greenhouses are warranted to the original purchaser to be free from defects in material or workmanship for ten years from the date of original retail purchase on all plastic panels. Additionally the aluminium frame is warranted for life. The word “defects” is defined as imperfections that impair the use of the product.
- 2.** Defects resulting from misuse, abuse or negligence will void this warranty. This warranty does not cover defects due to improper installation, alteration of accident. This warranty does not cover damage caused by vandalism, rusting, “acts of nature” or any other event beyond the control of the manufacturer.
- 3.** This warranty is nontransferable and is expressly limited to the repair or replacement of defective product if the product is defective within the terms of this warranty, Grandio Greenhouses will repair or replace defective parts at no cost to the purchaser. Shipping charges to and from the factory or distribution center are not covered and are the responsibility of the purchaser. Labor charges and related expenses for removal, installation or replacement of the greenhouse or its components are not covered under this warranty.
- 4.** This warranty does not cover scratching or scuffing of the product that may result from normal usage. In addition, defects resulting from intentional damage, negligence, unreasonable use will void this warranty.
- 5.** Liability for incidental or consequential damages is excluded to the extent permitted by law. While every attempt is made to embody the highest degree of safety in all equipment, freedom from injury cannot be guaranteed. The user assumes all risk of injury resulting from the use of this product. All merchandise is sold on this condition, and no representative of the company may waive or change this policy.
- 6.** This product is not intended for institutional or commercial use; Grandio Greenhouses does not assume any liability for such use.
- 7.** This warranty is expressly in lieu of all other warranties, expressed or implied, including warranties of merchantability for use to extent permitted by Federal and State Law. Neither Grandio Greenhouses nor any representative assumes any other liability in connection with this product. This warranty gives you specific legal rights, and you may also have other rights that vary from state to state.





# GRANDIO

G R E E N H O U S E S

**2015 Grandio Elite 8x12, 8x16, 8x20 & 8x24 Models**

**GREENHOUSE USER MANUAL  
KEEP IN A SAFE PLACE FOR REFERENCE**

CONTACT US IF YOU NEED HELP  
OR  
HAVE MISSING OR DAMAGED PARTS

**GRANDIOGREENHOUSES.COM**

**BACKYARD LIVING SOURCE, INC.  
9543 W. EMERALD ST., SUITE 101  
BOISE, ID 83704  
1-866-448-8231**