



OUTDOOR CHARCOAL GRILL

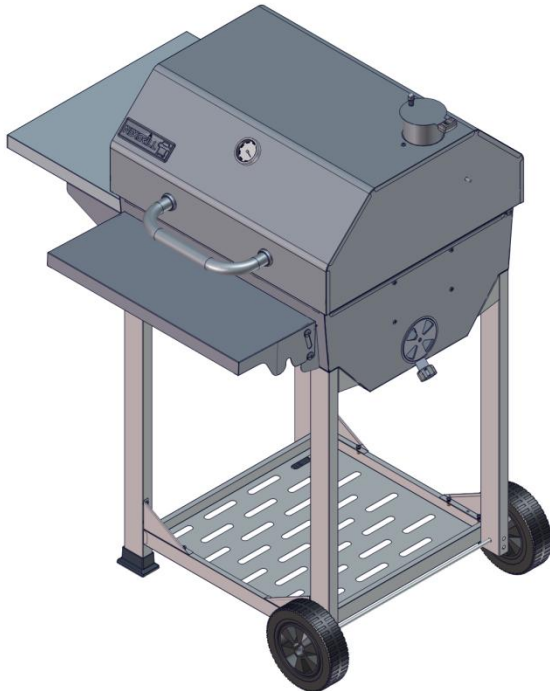
MODEL #810-0025 Pages 1-27

PARRILLA DE CARBÓN PARA EXTERIORES

MODELO #810-0025 Páginas 28-52

GRIL À CHARBON EXTÉRIEUR

MODÈLE# 810-0025 Pages 53-77



State of California Proposition 65 Warnings:

WARNING: This product contains one or more chemicals known to the State of California to cause cancer.

WARNING: This product contains one or more chemicals known to the State of California to cause birth defects or other reproductive harm.

In the State of Massachusetts, the following installation instructions apply:

- Installations and repairs must be performed by a qualified or licensed contractor, plumber, or gasfitter qualified or licensed by the State of Massachusetts.
- If using a ball valve, it shall be a T-handle type.
- A flexible gas connector, when used, must not exceed 3 feet.

SERIAL # _____ MFG. DATE _____ PURCHASE DATE: _____

- **This instructions manual contains important information necessary for the proper assembly and safe use of the appliance.**
- **Read and follow all warnings and instructions before assembling and using the appliance.**
- **Keep this manual for future reference.**



Questions, problems, missing parts? Before returning to your retailer, call our customer service department at U.S.A:1-800-913-8999, 8 a.m.-5 p.m., PST, Monday-Friday.

- **El presente manual de instrucciones contiene información importante que lo ayudará a armar el dispositivo correctamente y a utilizarlo de manera segura.**
- **Antes de armar y utilizar el dispositivo, lea y siga todas las advertencias e instrucciones.**
- **Conserve el presente manual para consultas futuras.**
- **Ce manuel d'instructions contient d'importantes informations essentielles à un assemblage approprié et sécuritaire de l'appareil.**
- **Lire et respecter tous les avertissements et toutes les instructions avant l'assemblage et l'utilisation de l'appareil.**
- **Conserver ce manuel à titre de référence ultérieure.**



Des questions, des problèmes, des pièces manquantes? Avant de retourner l'article au détaillant, communiquez avec le service à la clientèle au U.S.A:1-800-913-8999, entre 8 h et 18 h HNP, du lundi au vendredi et entre 8 h et 12 h, le samedi. Assurez-vous d'avoir votre numéro de série en main. Ce numéro se situe à l'intérieur de la porte avant de votre barbecue.



¿Consultas, problemas, piezas que faltan? Antes de regresar al vendedor, comuníquese con nuestro departamento de Servicio al Cliente llamando al **U.S.A:1-800-913-8999, de 8 a.m. a 6 p.m. de lunes a viernes; y de 8 a.m. a 12 p. m. los sábados.** Asegúrese de tener disponible el número de serie, que se encuentra en la parte interna de la puerta frontal de su parrilla.

Safety Instruction	3	Assembly Instructions	12
Hardware Contents	5	Lighting Instruction	23
Package parts list	7	Operating and Cooking instructions.	24
Exploded View	10	Proper care & maintenance	26
Part List	11	Ordering parts	26
		Limited warranty	27

Safety Instruction

⚠ ATTENTION: This barbecue will become very hot while in use. Do not move it during operation. Do not use indoors.

⚠ CAUTION: Do not use spirit, petrol or comparable fluids for lighting or re-lighting!
WARNING: Keep children and pets away.

⚠ WARNING
Do not burn more than **7 lbs** of charcoal in this unit at one time.
Keep a fire extinguisher nearby at all times.
This grill is for outdoor use only, in well-ventilated areas.
The use of alcohol, prescription or non-prescription drugs may impair the user's ability to properly assemble and safely operate this unit.
Use caution when lifting and moving the unit to avoid back strain or back injury. Two people are recommended to lift or move the unit. Do not move the unit while it is in use. **DO NOT** operate the unit near or under flammable or combustible materials such as decks, porches or carports. A minimum clearance of 36 in. (92cm) is required from all combustible materials. **DO NOT** operate the unit under overhead construction or combustible materials.

⚠ WARNING

This product is not to be used as a heater.

Operate the unit on a stable, level, non-flammable surface such as asphalt, concrete or solid ground. DO NOT operate the unit on flammable material such as carpet or a wood deck.

Use caution when assembling and operating this unit to avoid cuts and scrapes from edges.

DO NOT use this product in a manner other than its intended purpose. It is NOT intended for commercial use. It is not intended to be installed or used in or on a recreational vehicle and/or boats.

DO NOT Store this unit near gasoline or other combustible liquids or where other combustible vapors may be present.

DO NOT store or operate this product in an area accessible to children or pets. Store this unit in a dry, protected location.

DO NOT leave the unit unattended while in use.

DO NOT leave hot ashes unattended until the grill cools completely.

DO NOT move the unit while in use or while ashes are still hot. Allow the unit to cool completely before moving or storing.

NEVER use gasoline or other highly volatile fluids as a starter.

Always wait for any charcoal flames to subside before placing food on cooking grid.

Dispose of cold ashes by wrapping them in a heavy-duty aluminum foil and placing in a noncombustible container. Make sure that there are no other combustible materials in or near the container.

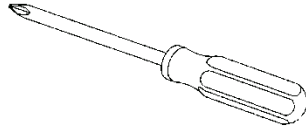
Allow the unit to cool completely before conducting any routine cleaning or maintenance.

⚠ Failure to comply with these instructions could result in a fire or explosion that could cause serious bodily injury, death, or property damage.

⚠ Combustion by products produced when using this product contain chemicals known to the States of California to cause cancer, birth defects, or other reproductive harm.

⚠ Your grill will be very hot. Never lean over the cooking area while using your grill. Do not touch cooking surfaces, grill housing, lid or any other grill parts while the grill is in operation, or until the charcoal grill has cooled down after use.

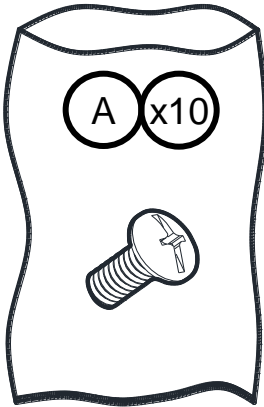
TOOLS NEEDED



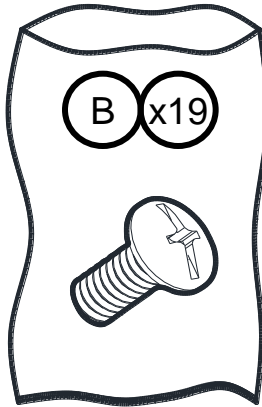
Some parts come with Screws pre-installed.
Loosen and tighten for final assembly.

Hardware package list

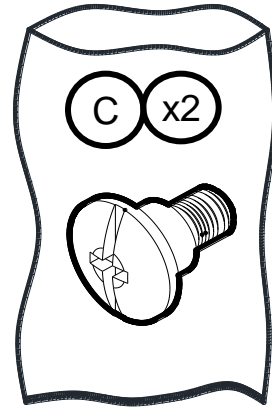
Truss head screw
5/32 " x 6 mm



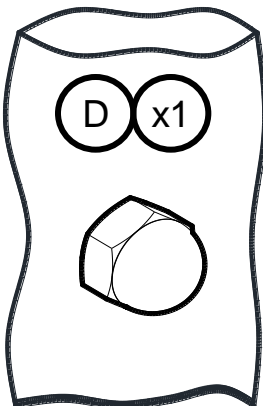
Truss head screw
1/4"x15mm



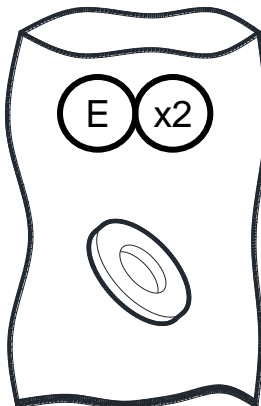
Stage screw A
1/4"



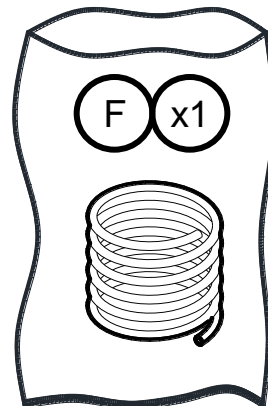
Nut A
1/4"



Flat washer
M8

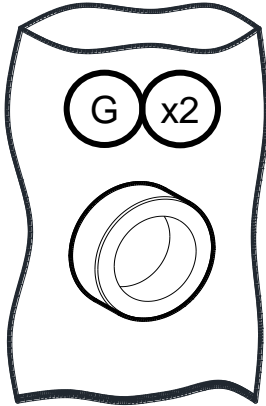


Chimney lid spring

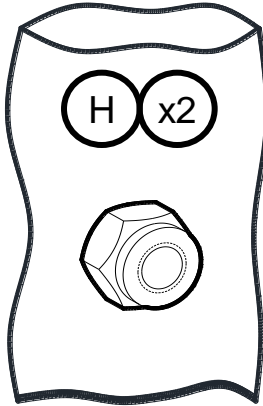


Hardware package list

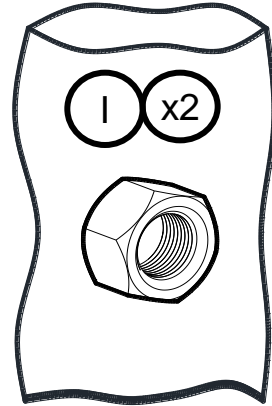
Wheel axle cap



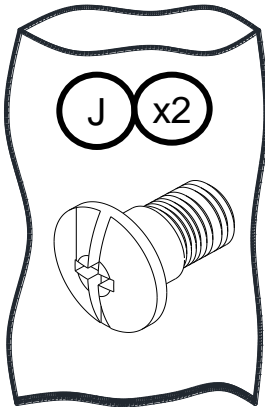
Damping nut
5/16 "



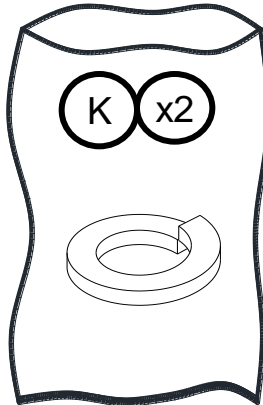
Nut B
1/4 "



Stage screw B
1/4 "

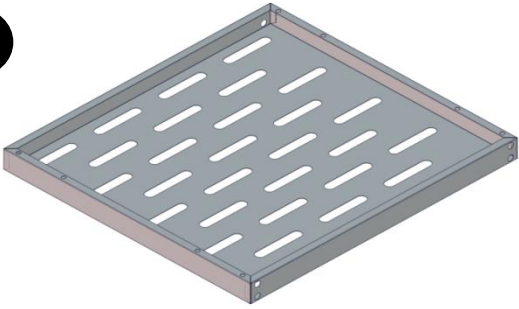


Spring washer
M8

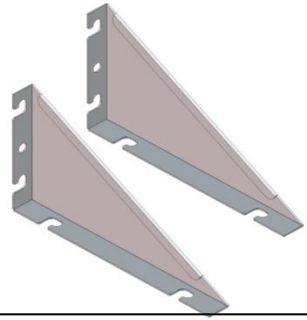


Package parts List

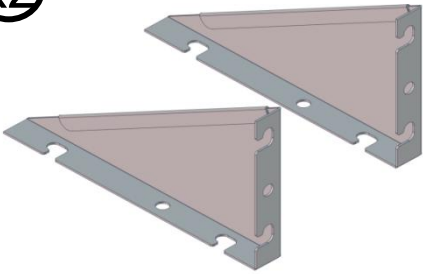
1



2 (x2)



3 (x2)



4



5



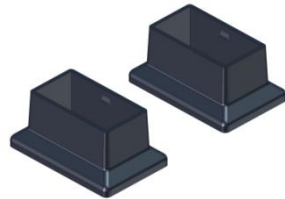
6



7



8 (x2)



9 (x2)

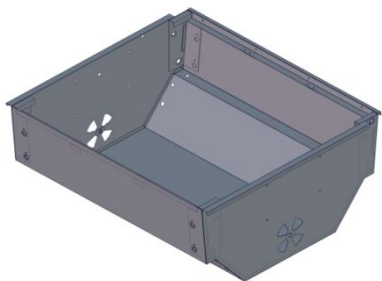


10



Package parts List

11



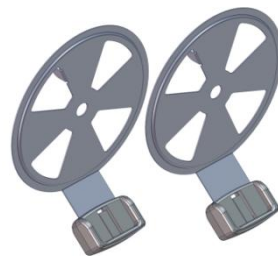
12 (x2)



13 (x2)



14 (x2)



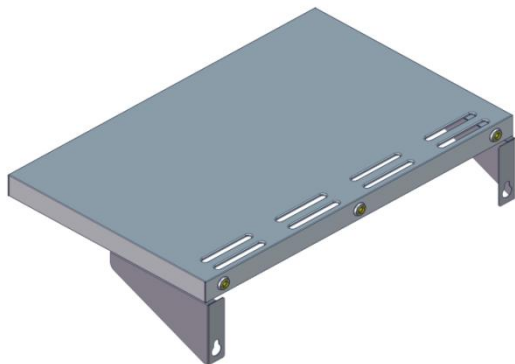
15



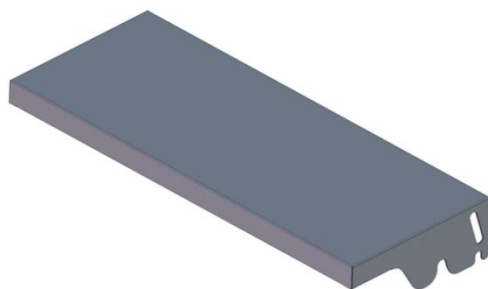
16



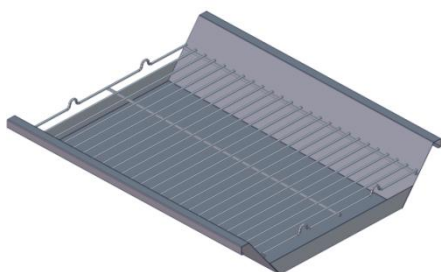
17



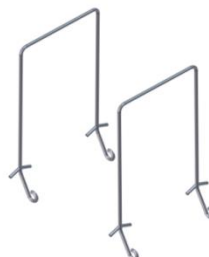
18



19

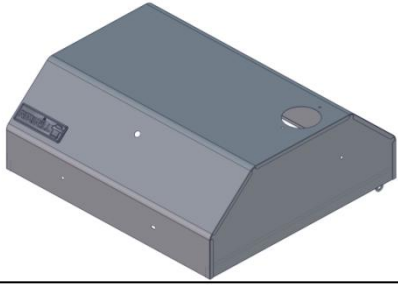


20 (x2)

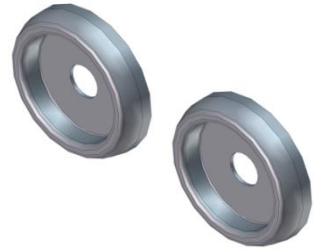


Package parts List

21



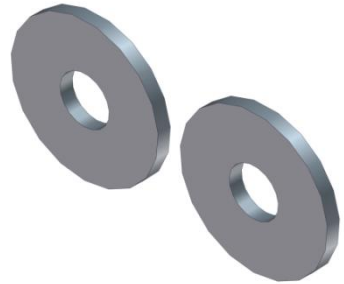
22 (x2)



23



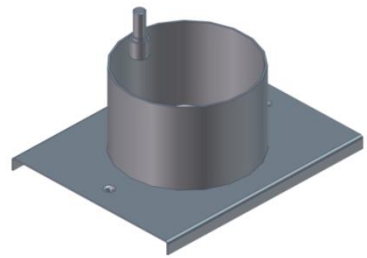
24 (x2)



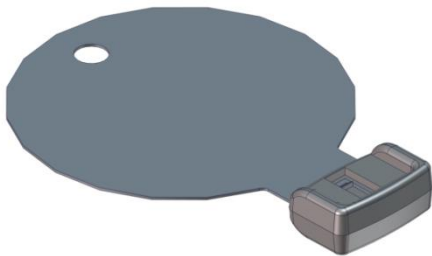
25



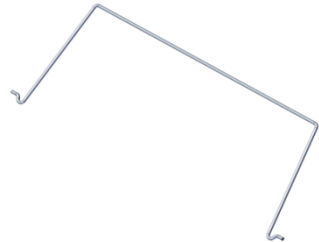
26



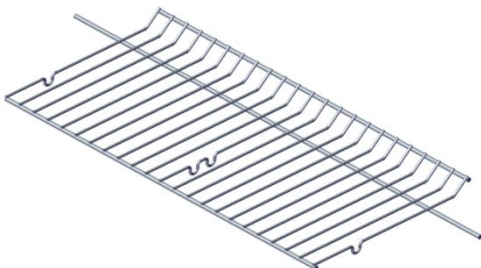
27



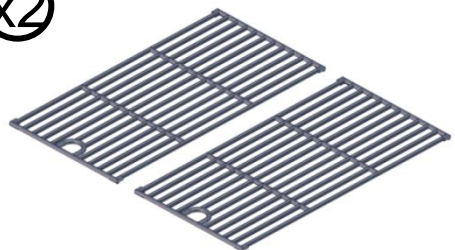
28

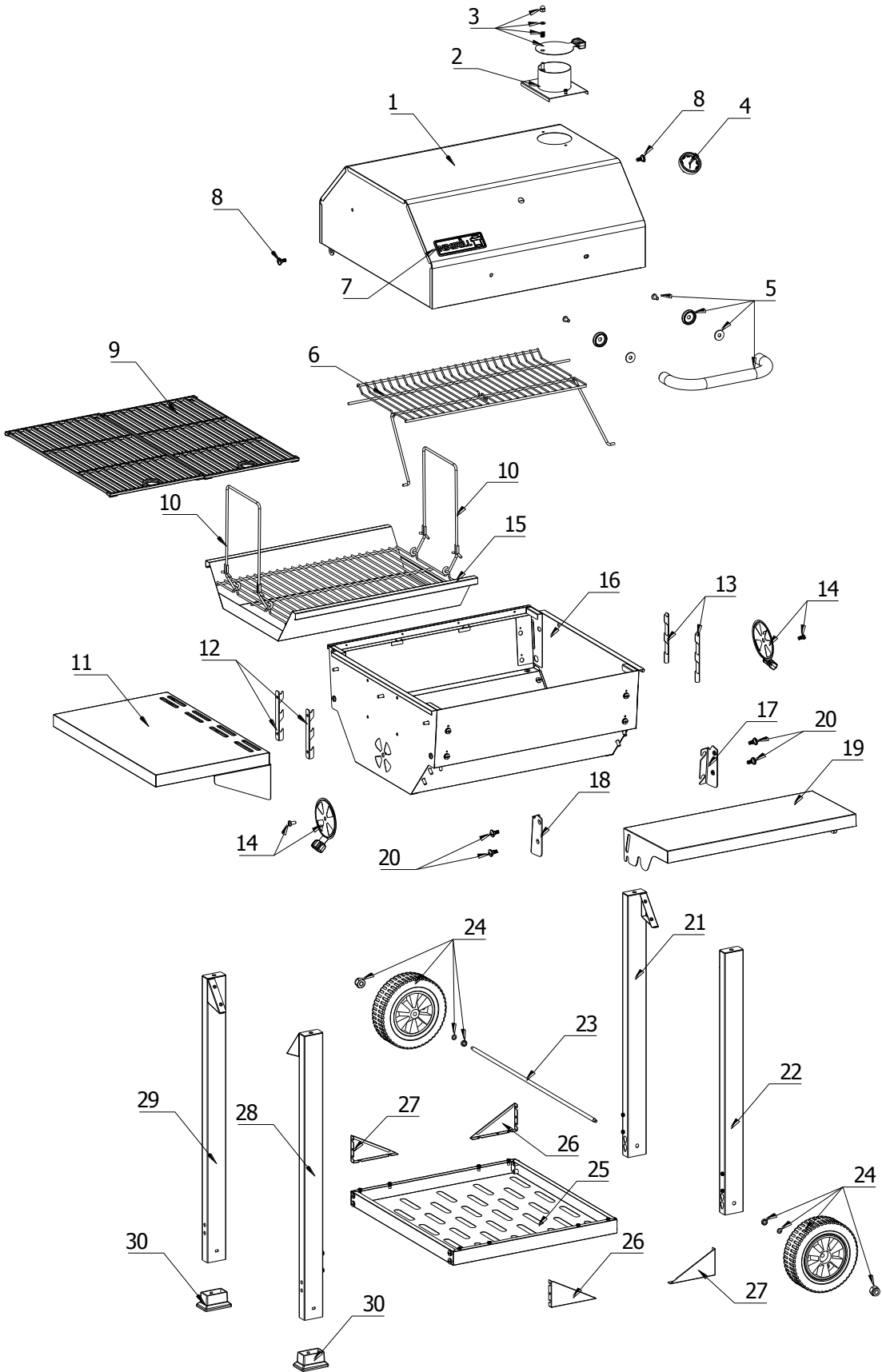


29



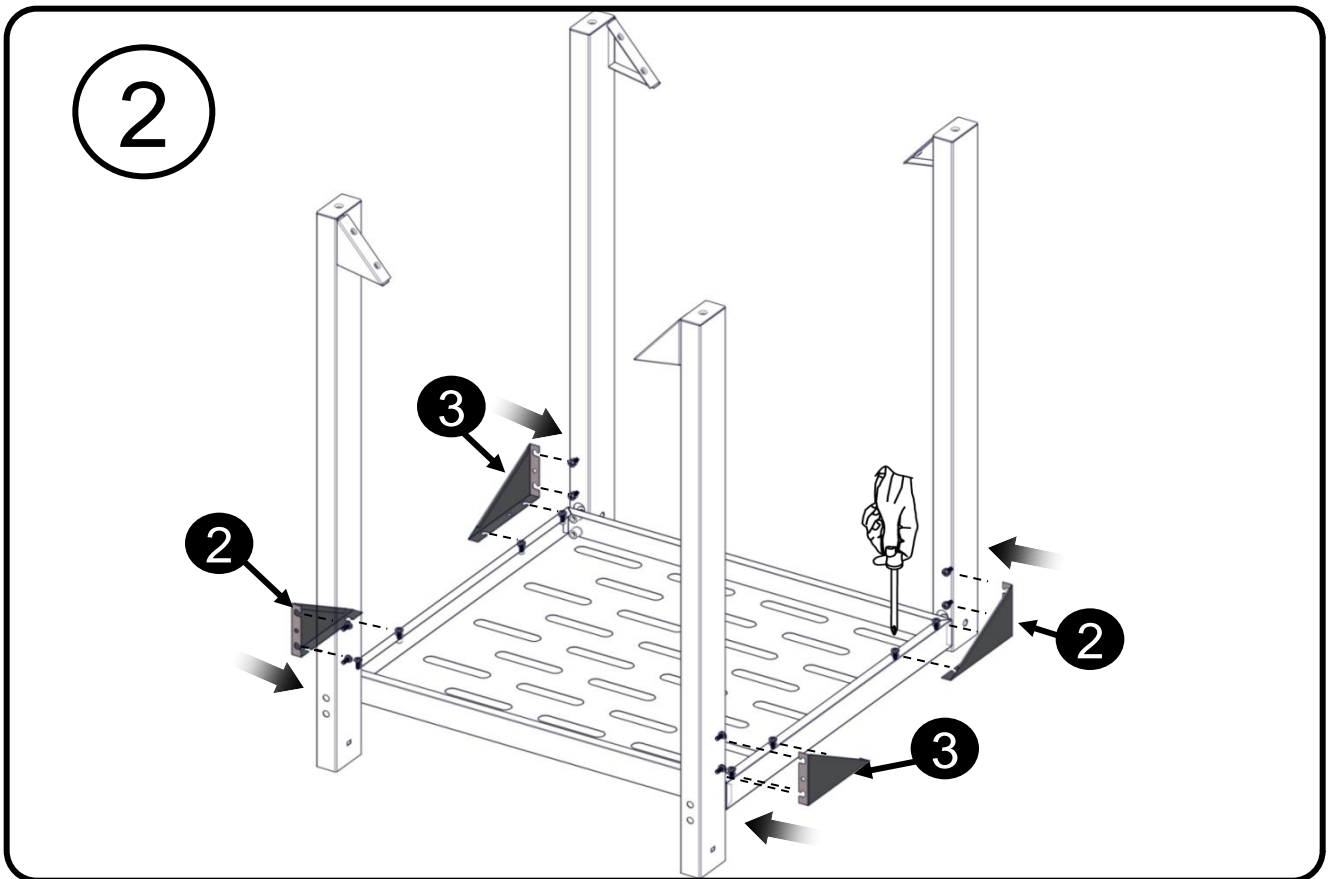
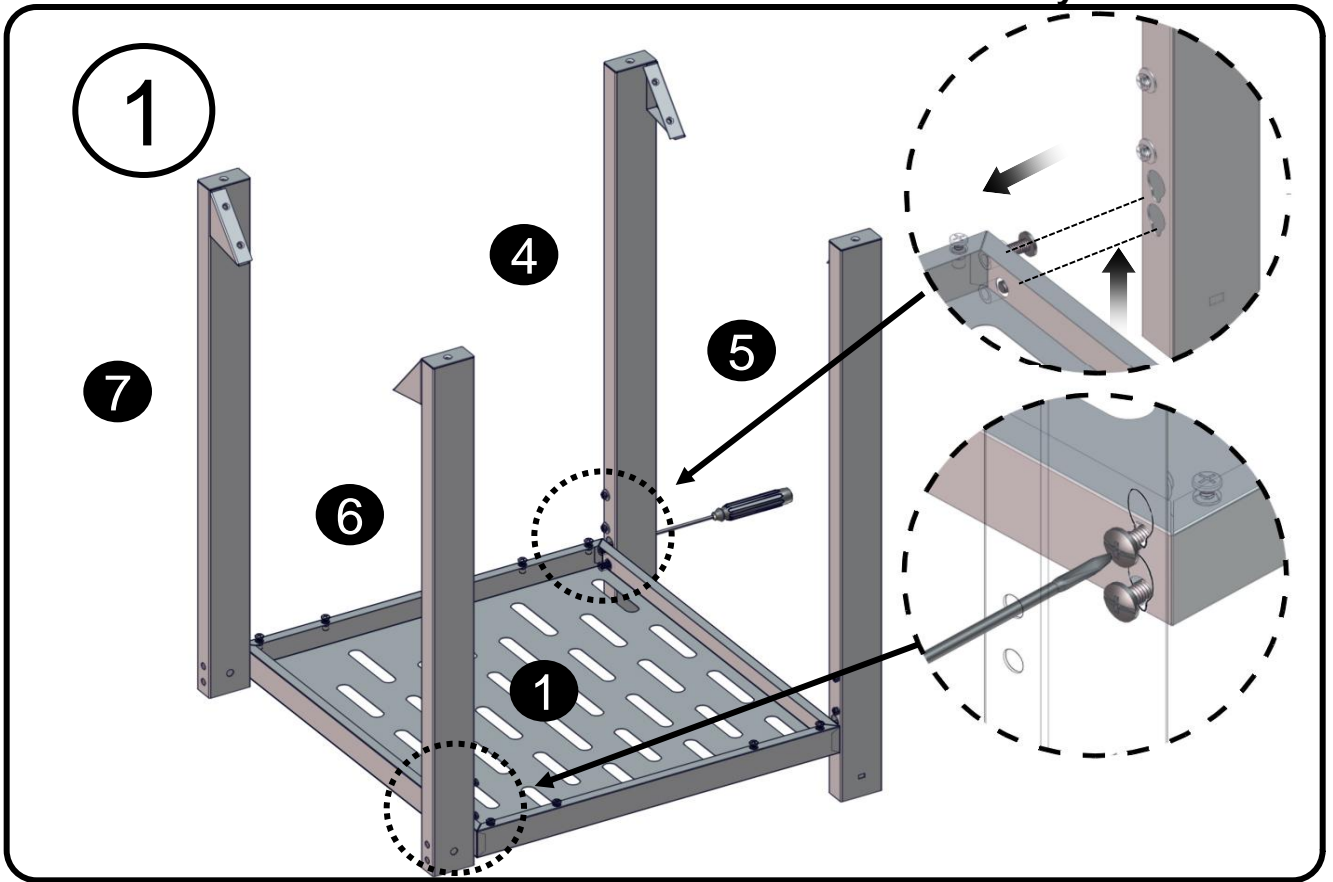
30 (x2)

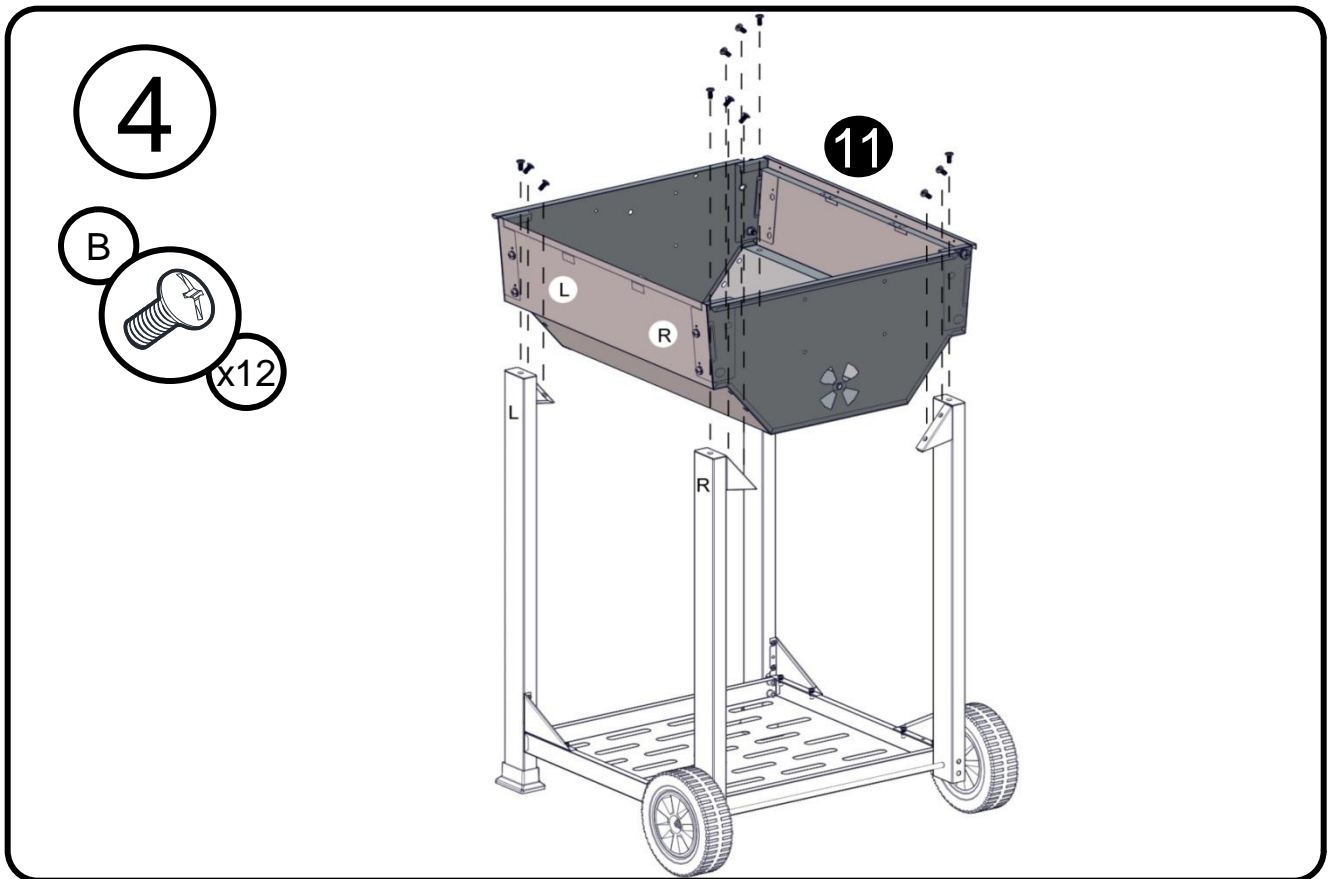
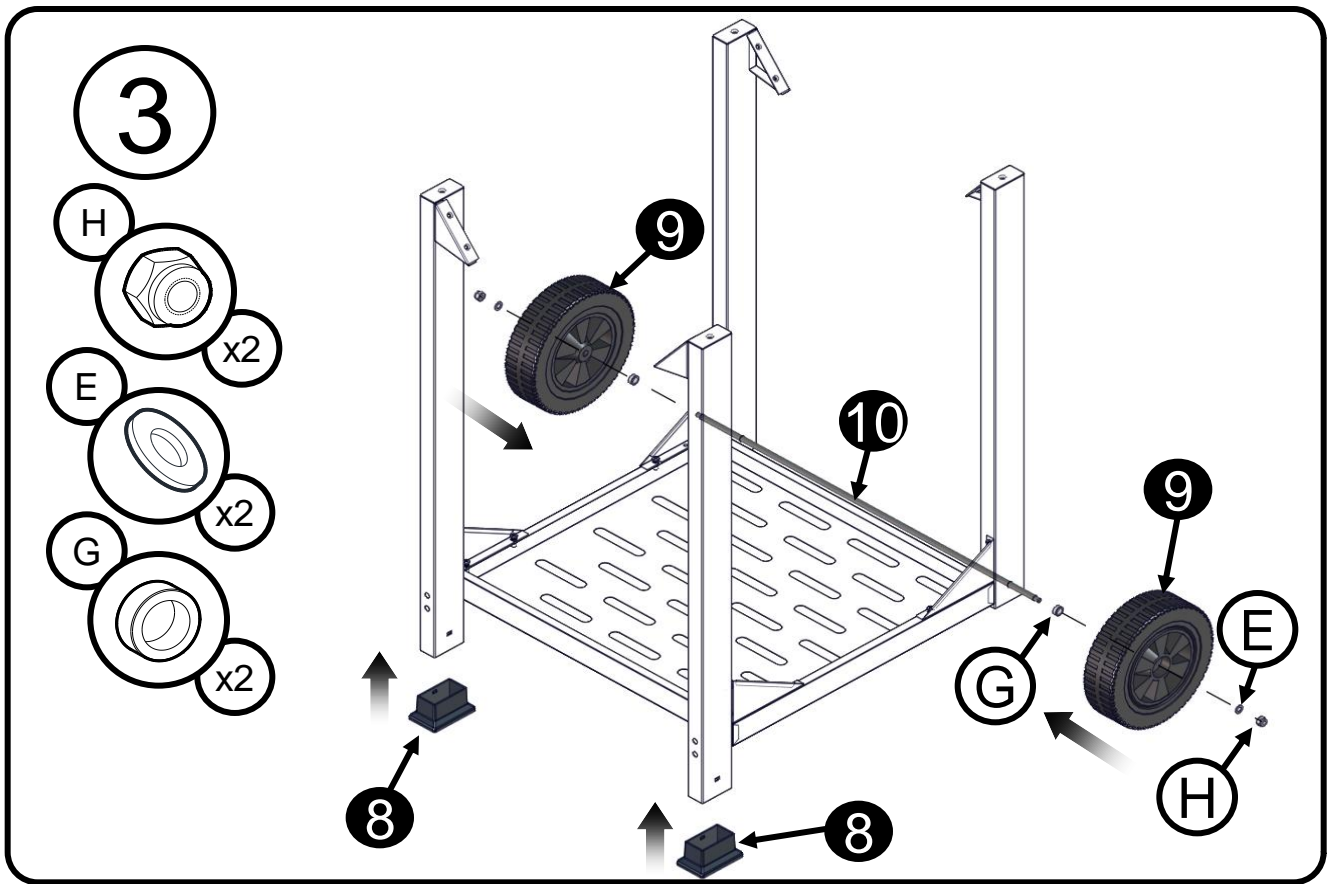


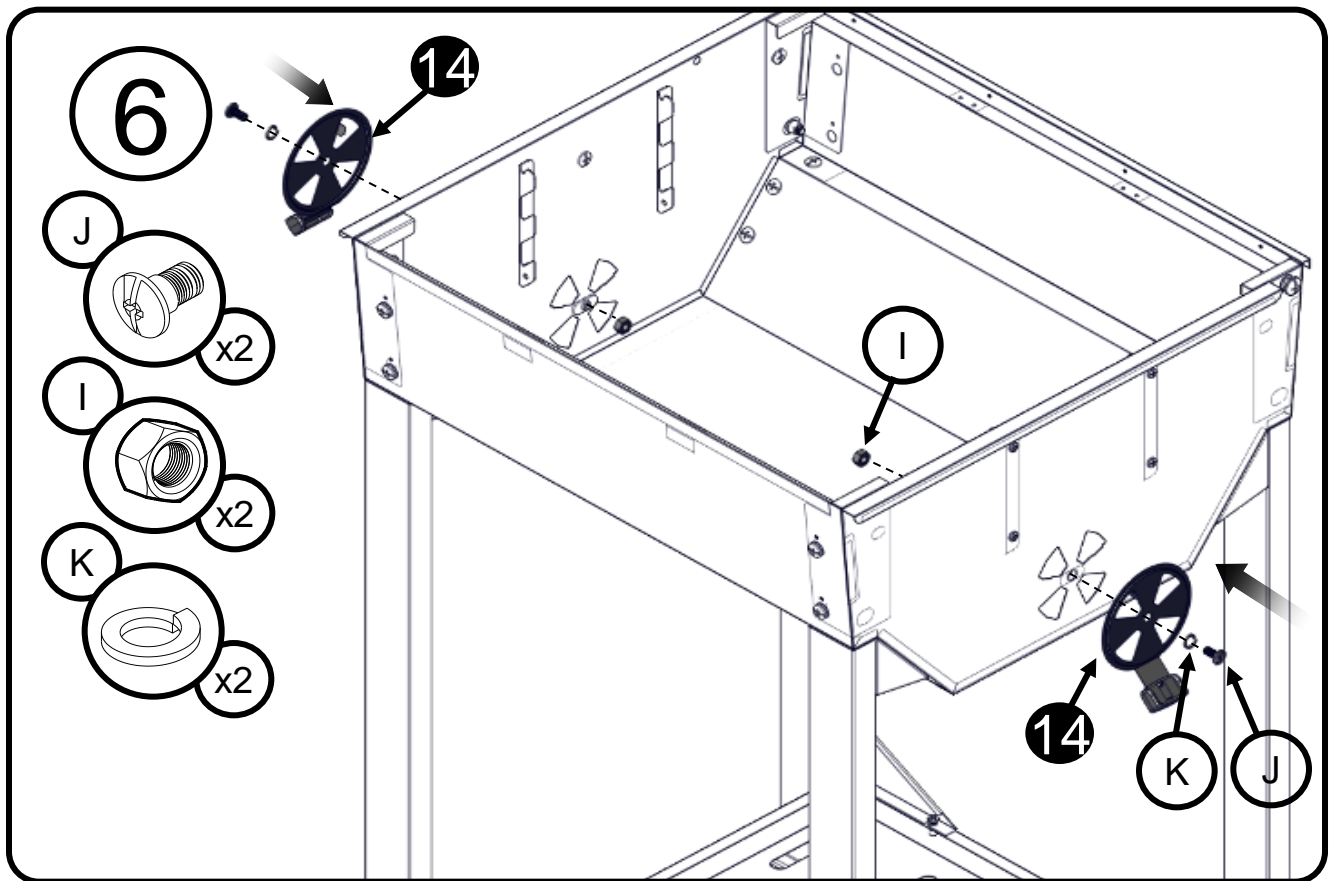
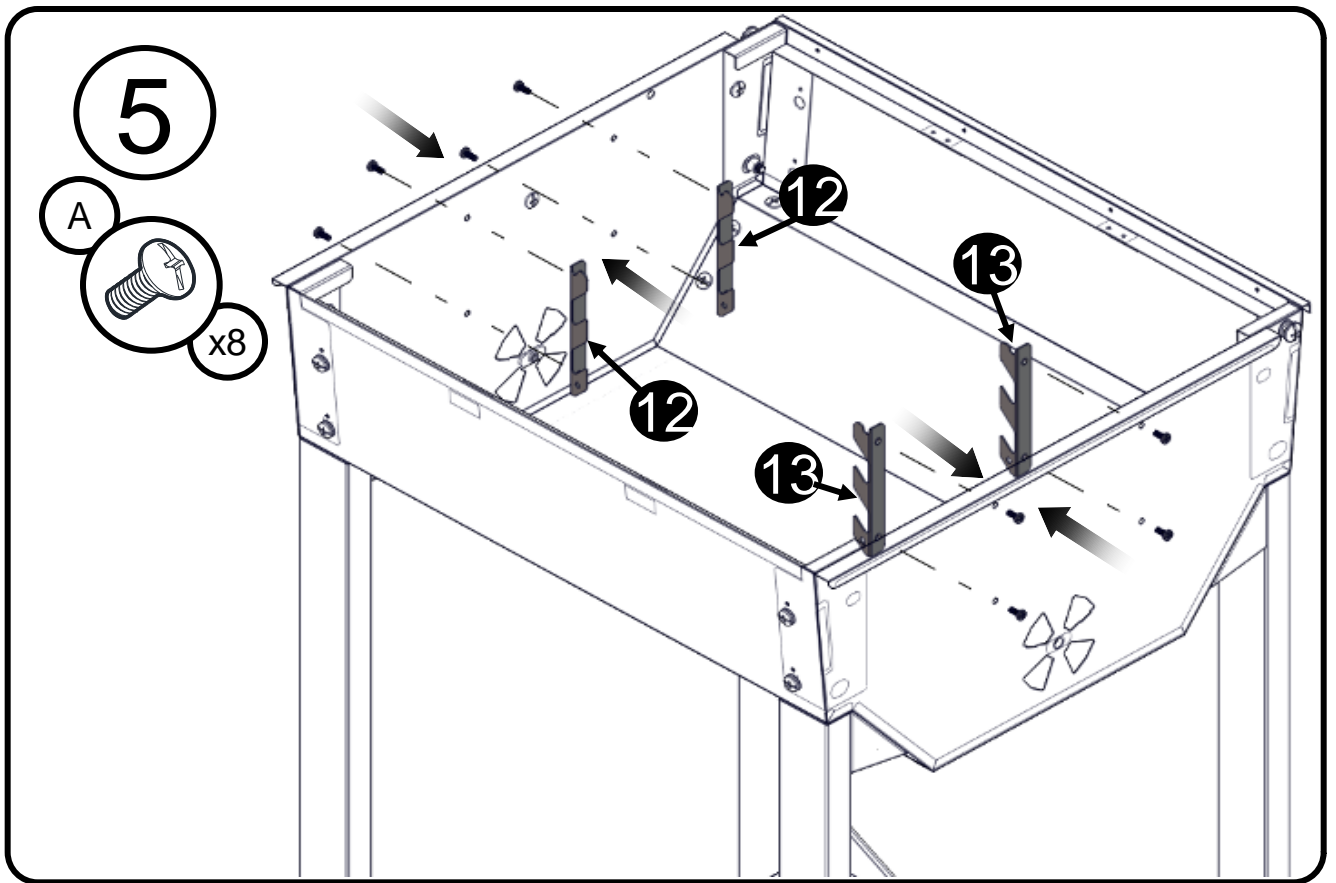


Part List

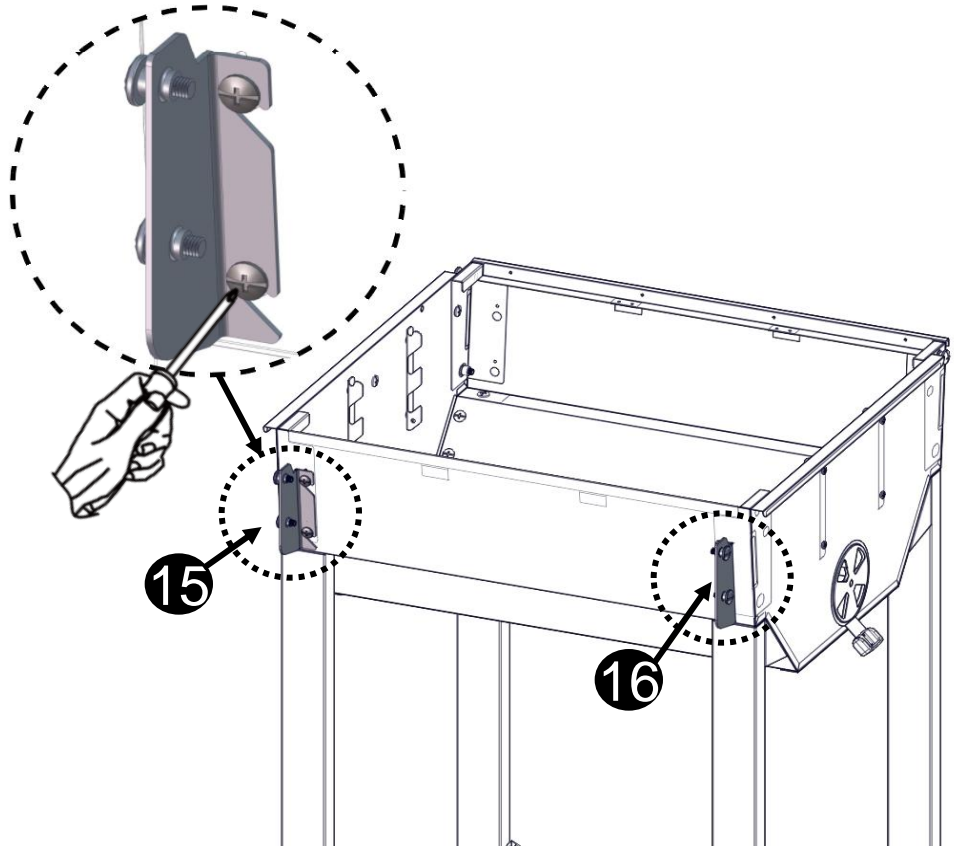
No.	Part (Description)	Warranty coverage	QTY	No.	Part (Description)	Warranty coverage	QTY
1	Main lid	1	1	16	Charcoal bowl assembly	Non-replaceable	1
2	Charcoal Chimney	1	1	17	Front shelf support bracket, right	1	1
3	Chimney lid	1	1	18	Front shelf support bracket, left	1	1
4	Temperature gauge	1	1	19	Front shelf	1	1
5	Main lid handle assembly	1	1	20	Side shelf stage screw	1	4
6	Warming rack	1	1	21	Cart leg rear, right	1	1
7	Logo	1	1	22	Cart leg front, right	1	1
8	Main lid screw	1	2	23	Wheel axle	1	1
9	Cooking grid with hole	1	2	24	Wheel	1	2
10	Charcoal tray hook	1	2	25	Bottom panel	1	1
11	Side shelf, left	1	1	26	Triangle bracket, A	1	2
12	Charcoal tray support bracket, left	1	2	27	Triangle bracket, B	1	2
13	Charcoal tray support bracket, right	1	2	28	Cart leg front, left	1	1
14	Ventilation adjustment bracket	1	2	29	Cart leg rear, left	1	1
15	Charcoal tray	1	1	30	Cart caster insert	1	2
					Manual		1
					Hardware pack		1



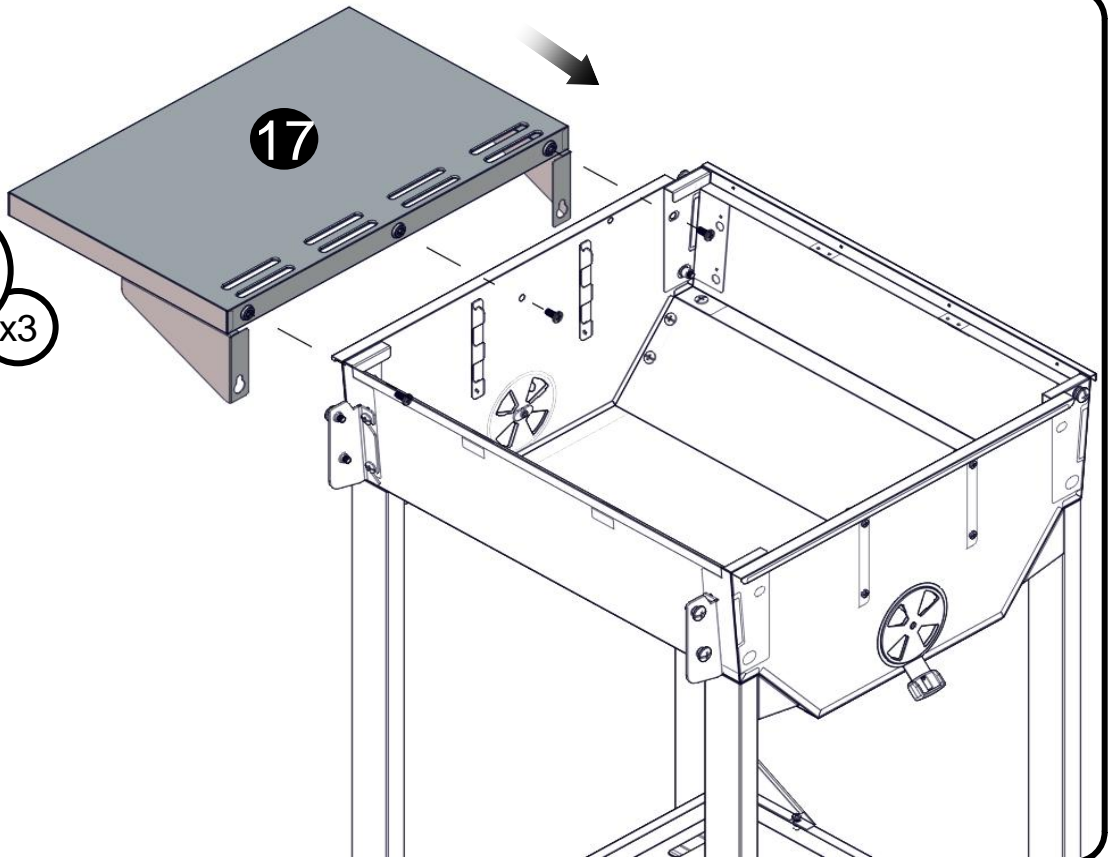
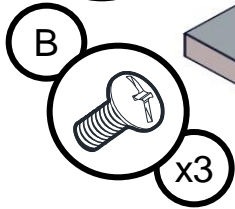


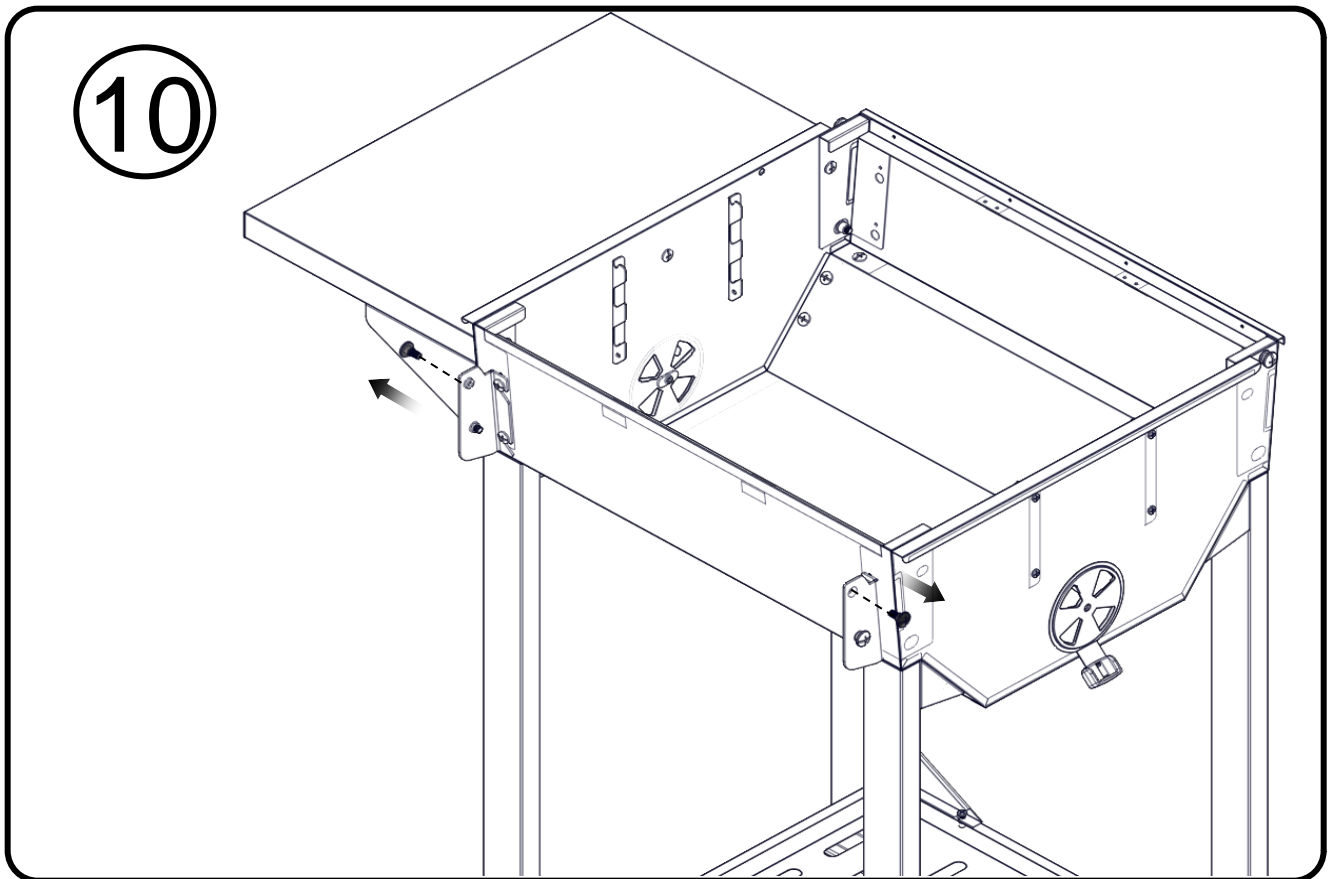
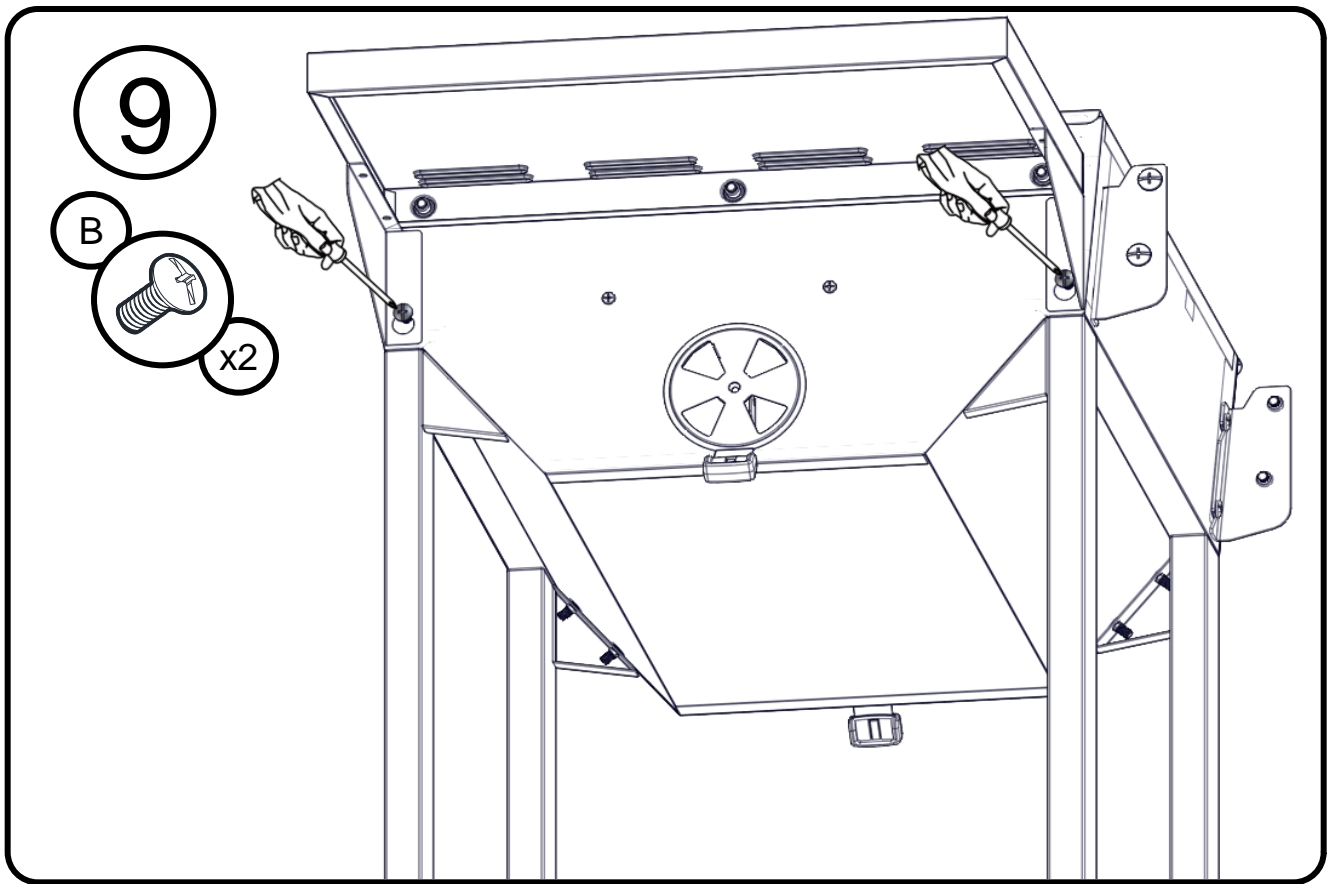


7

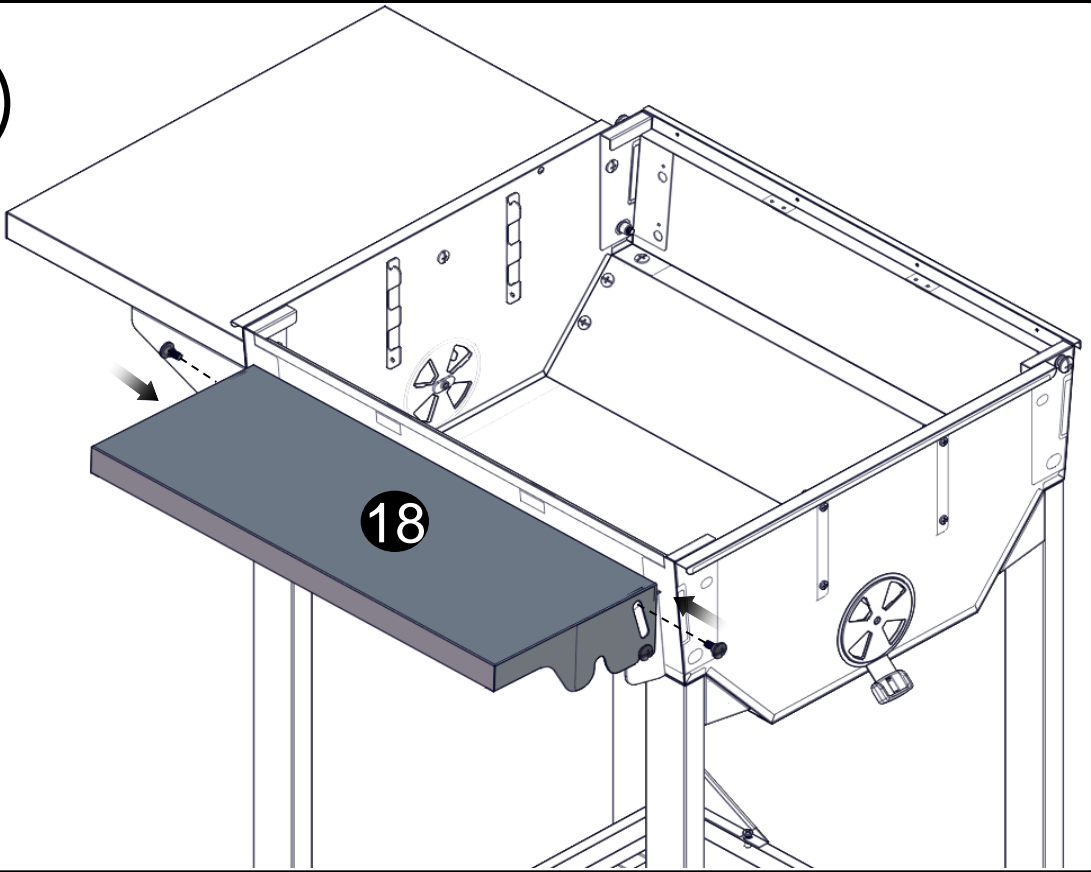


8

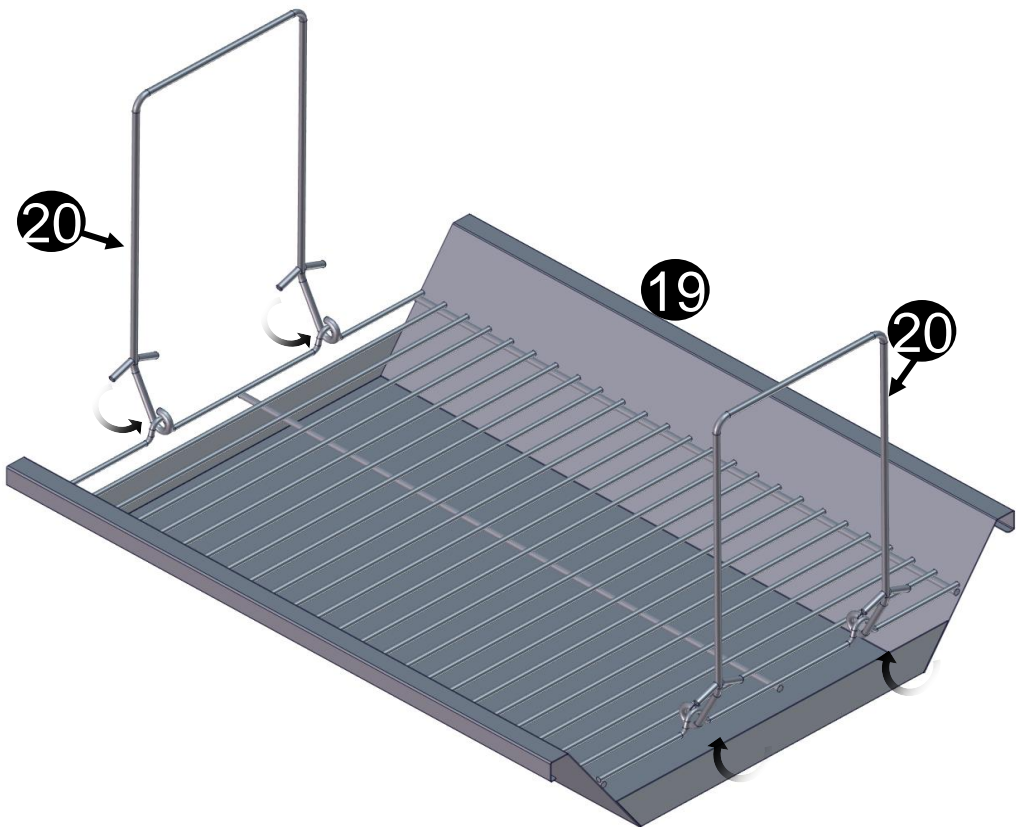




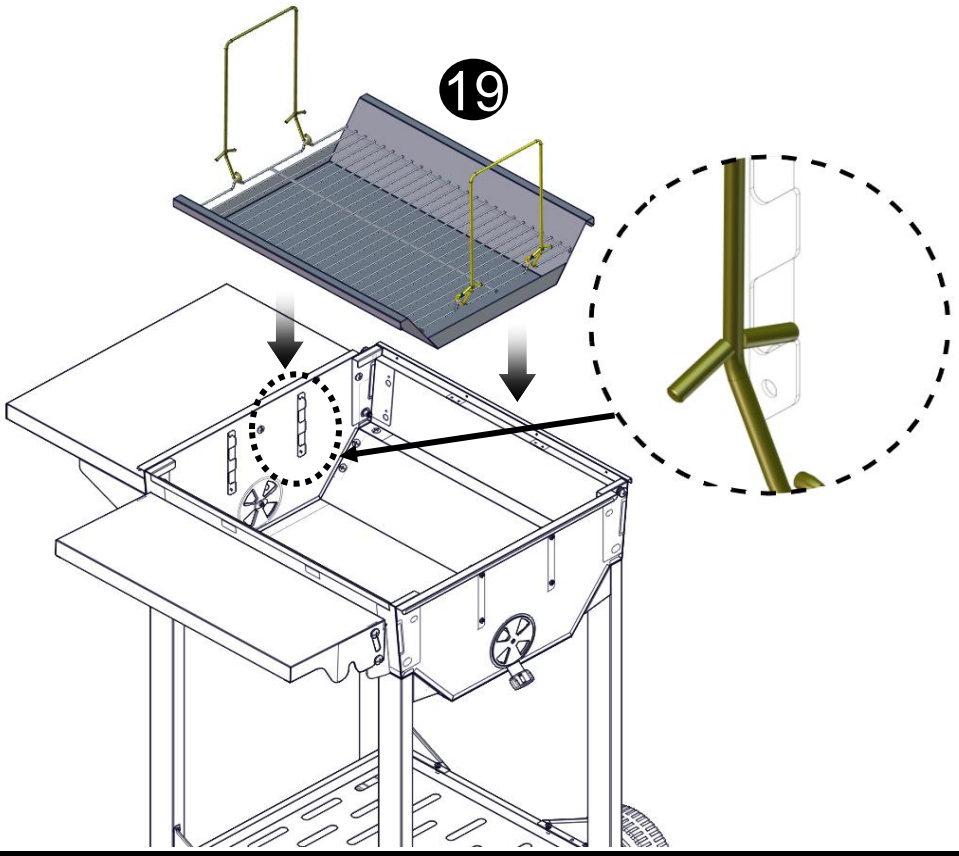
11



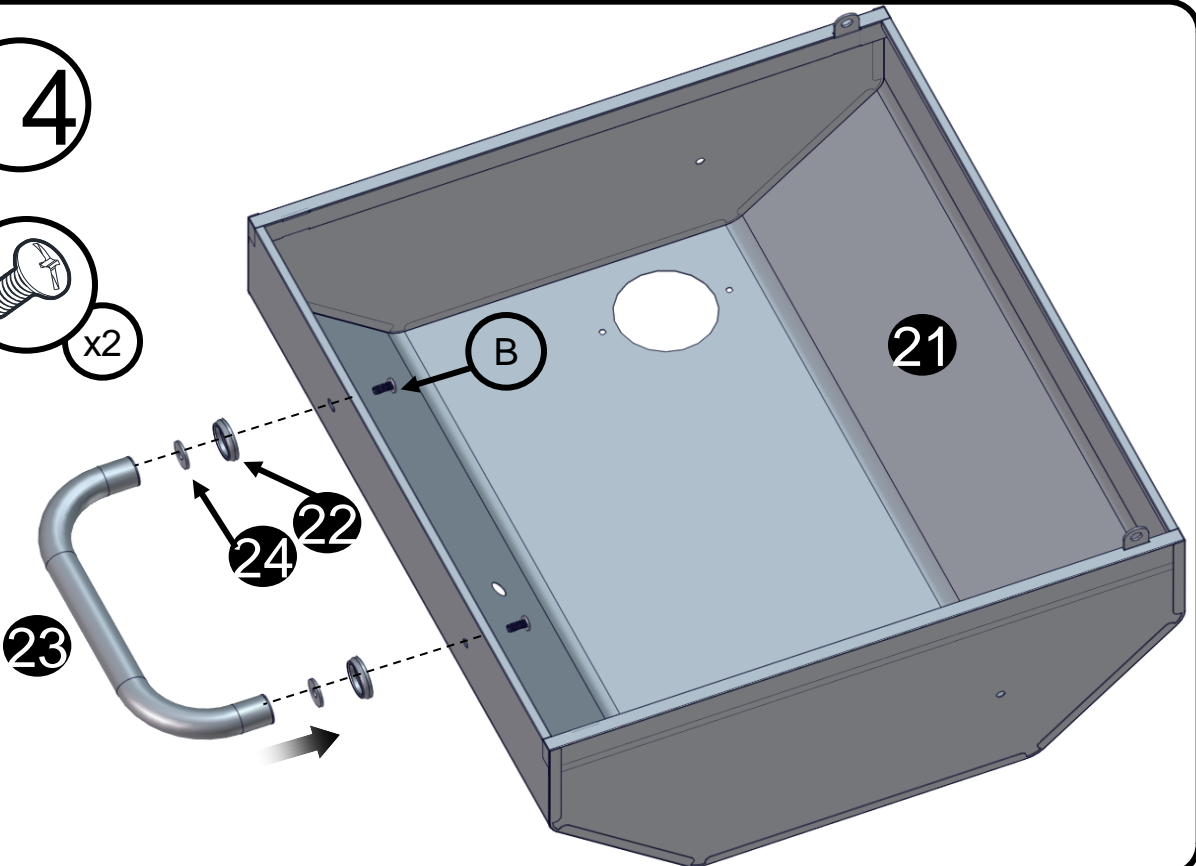
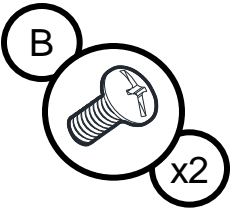
12



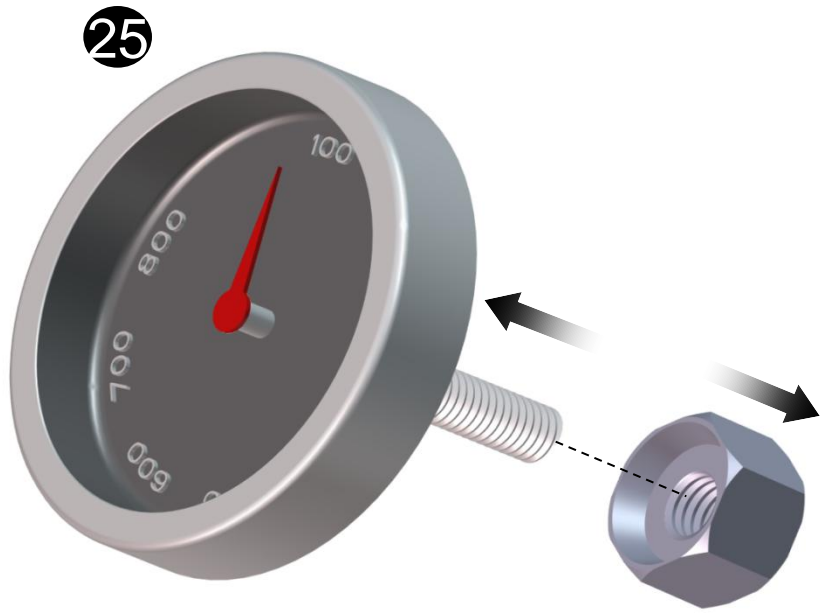
13



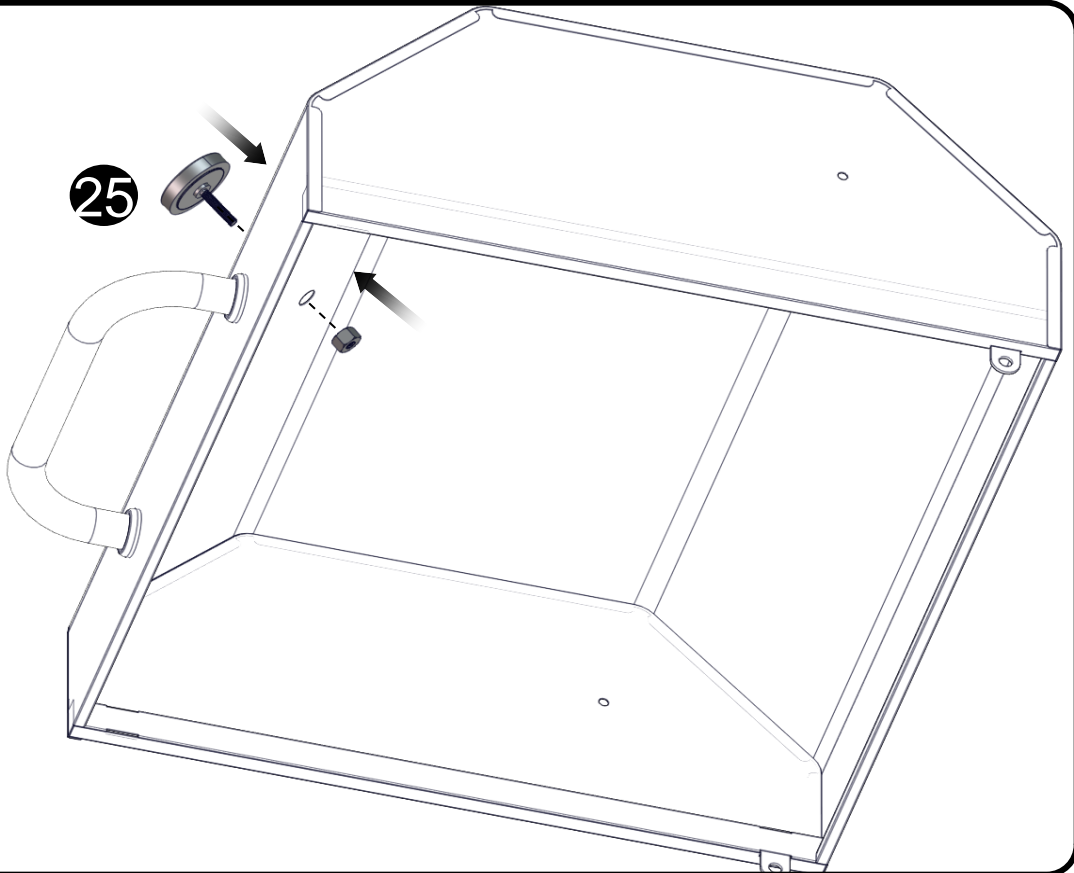
14

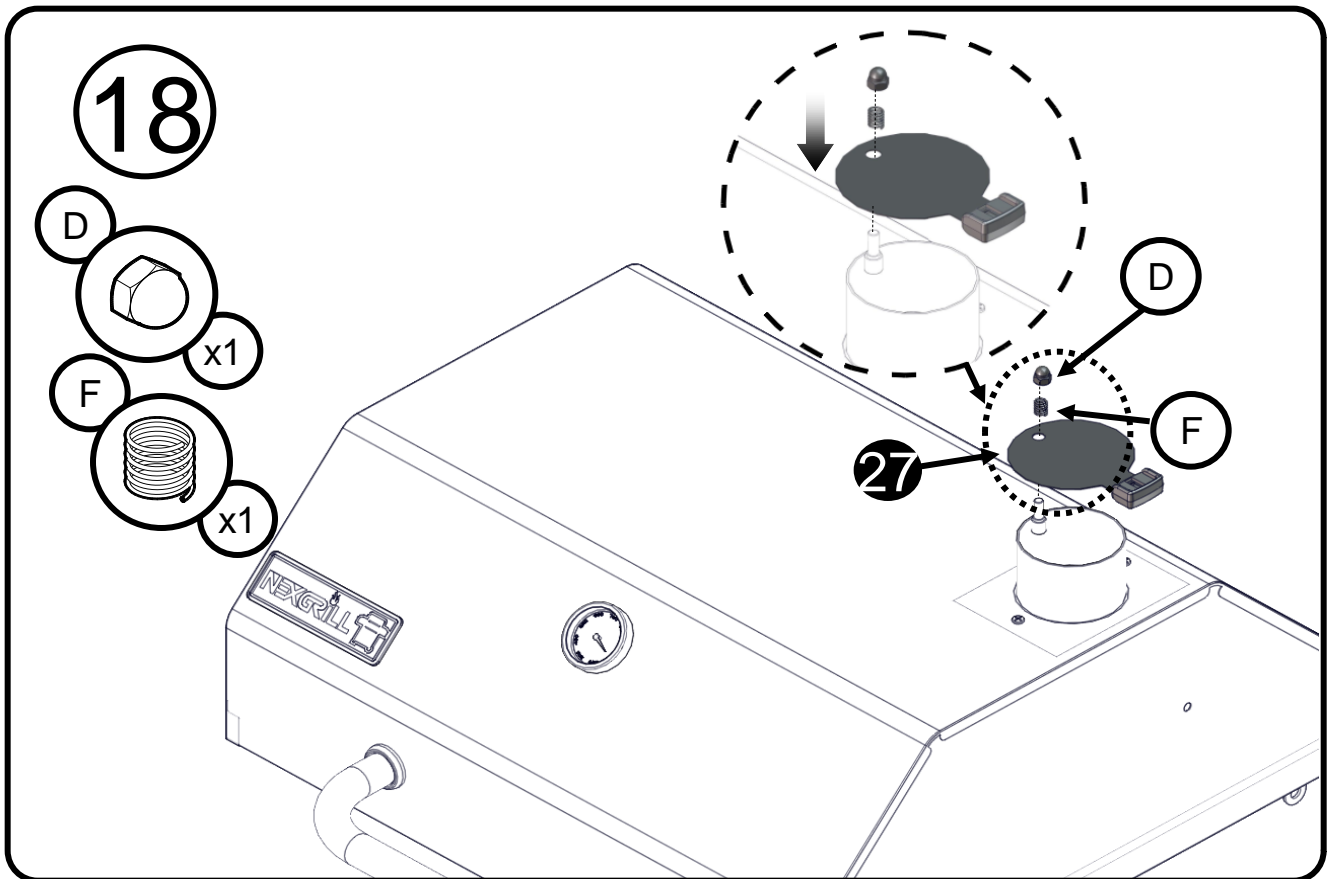
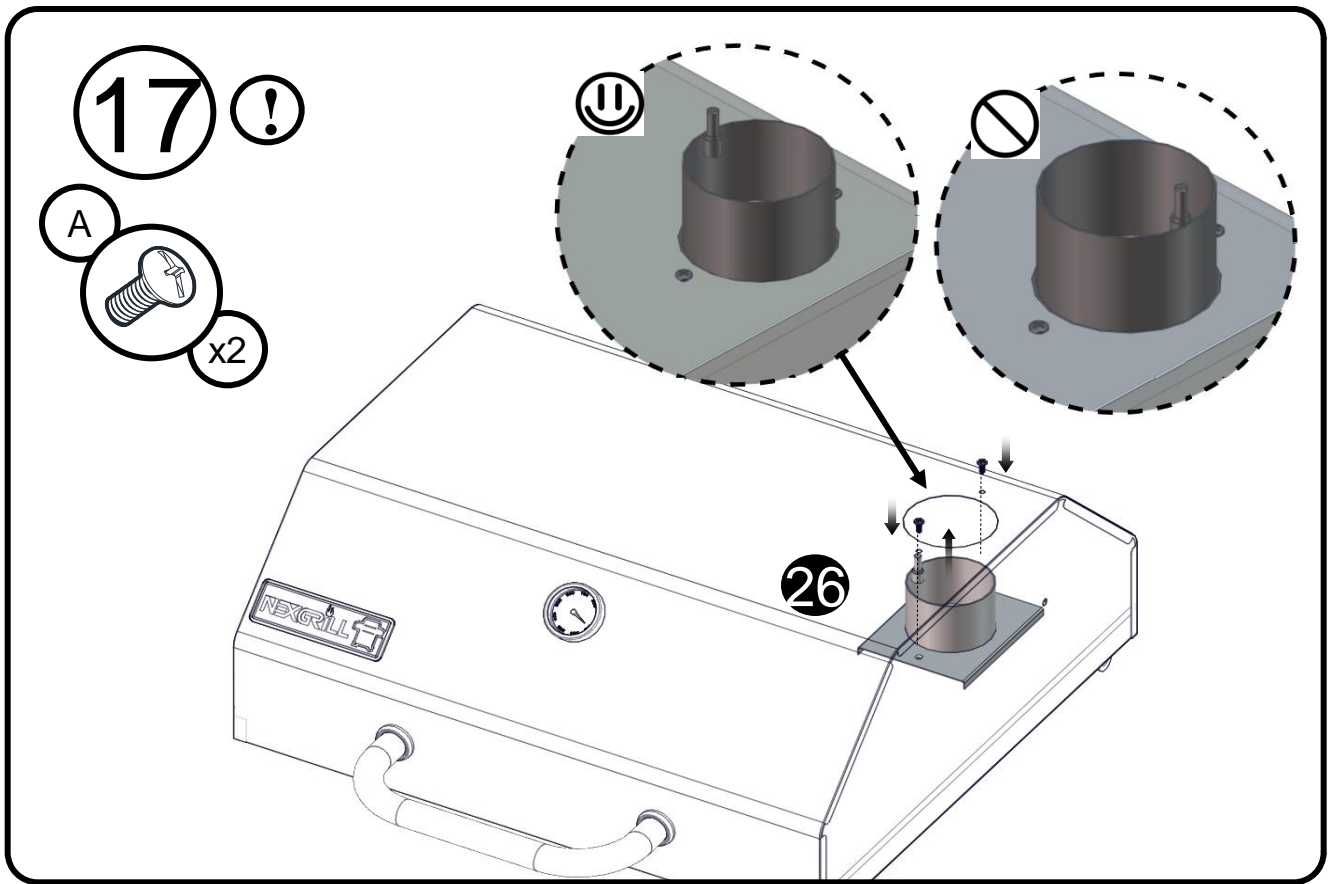


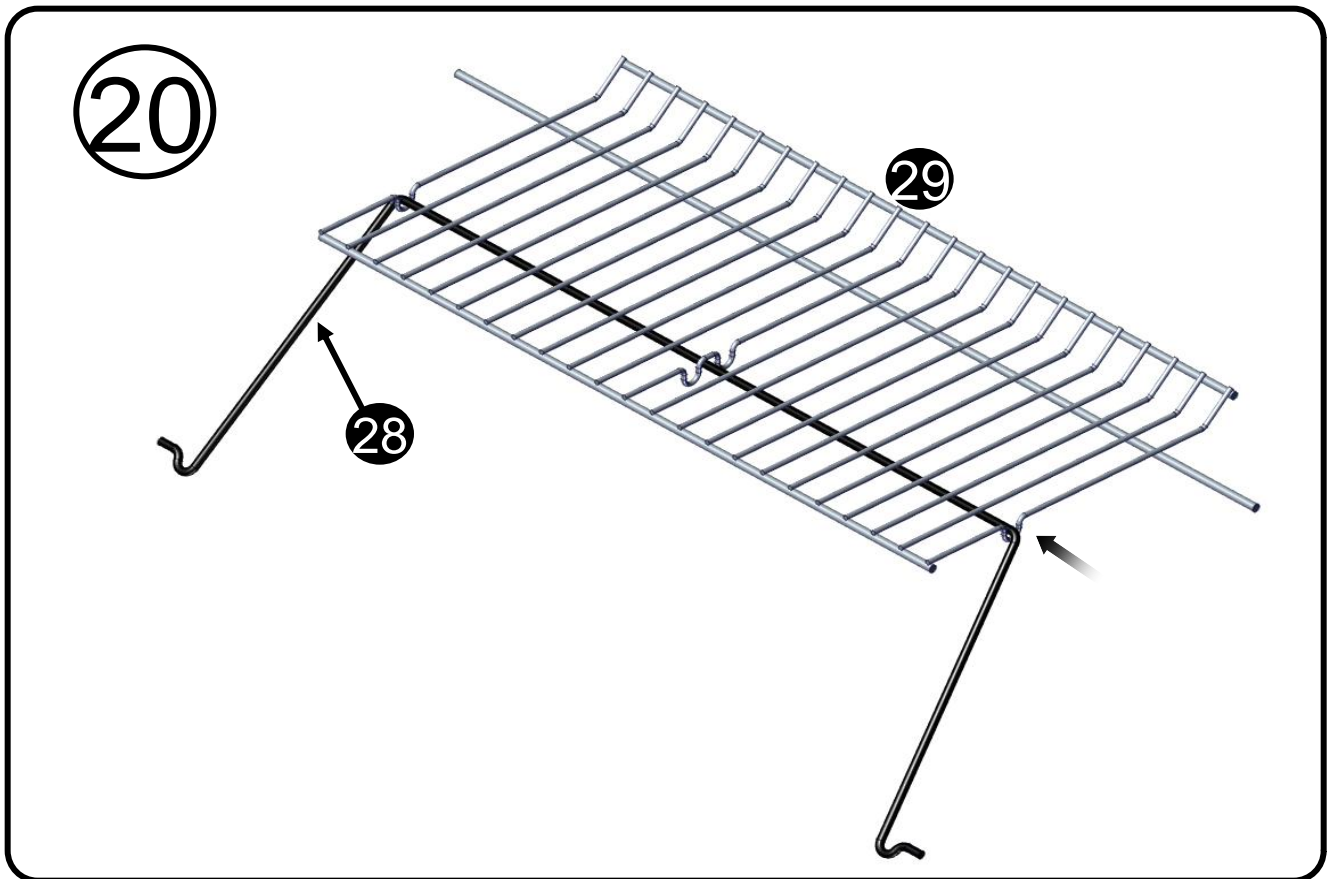
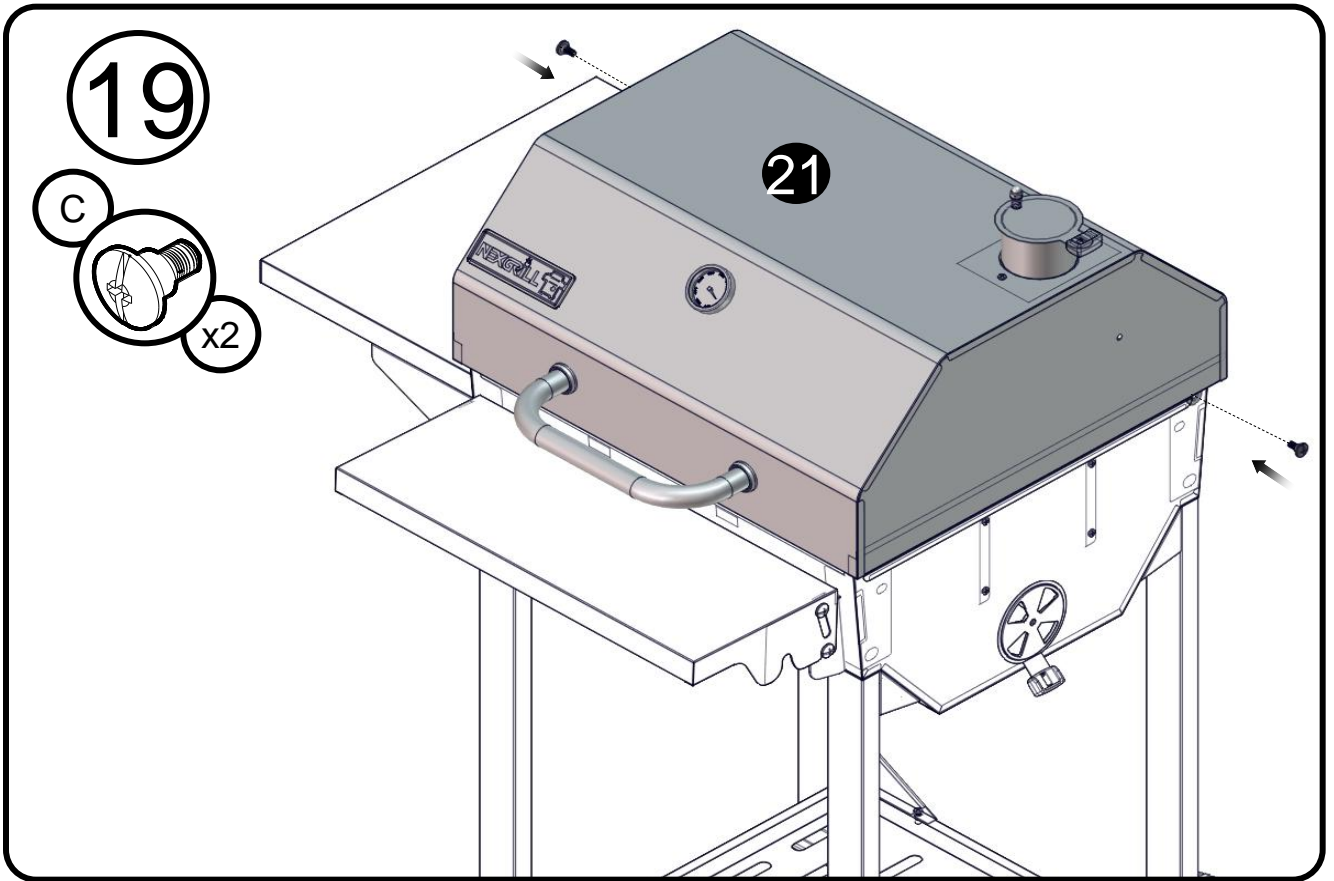
15



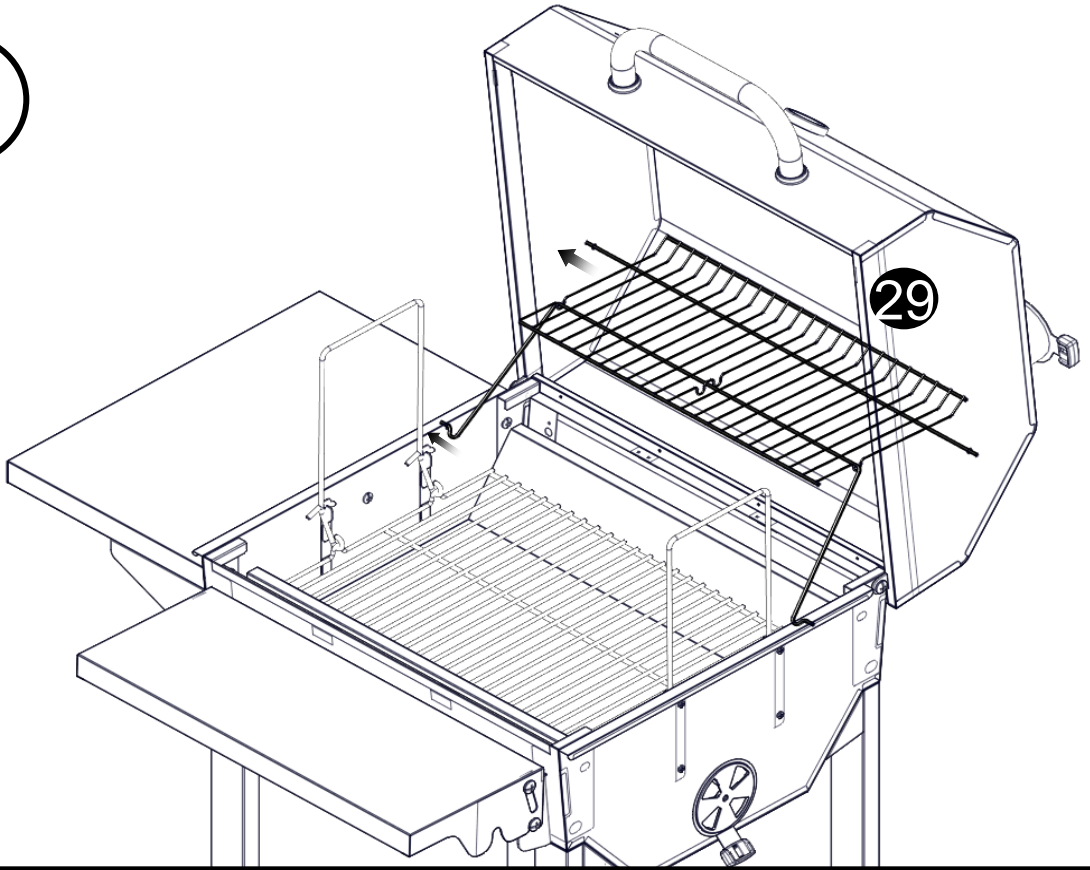
16



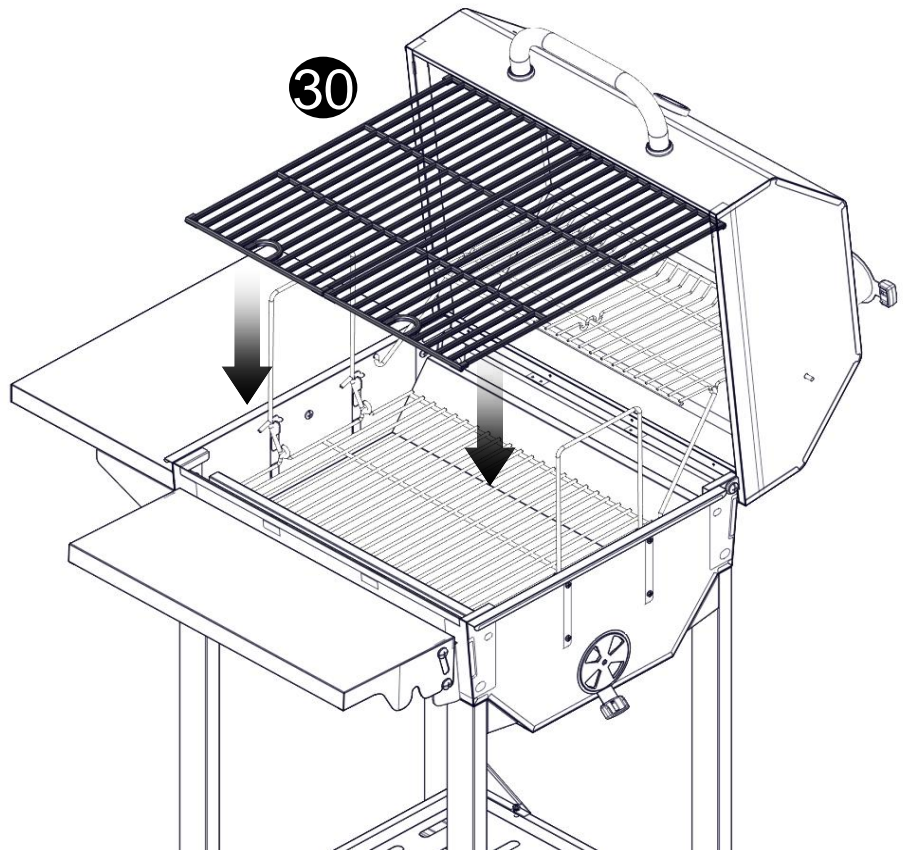




21



22



⚠ READ ALL SAFETY WARNINGS AND INSTRUCTIONS CAREFULLY BEFORE OPERATING YOUR GRILL.

Charcoal Lighting instructions:

1. Open grill lid.
2. Lift the charcoal tray hook to adjust charcoal pan to middle height position.
3. Pour regular charcoal briquettes, not exceeding 7 pounds into charcoal pan and arrange into a pile. Make sure charcoal does not go above the Charcoal Grid.
4. Light charcoal briquettes.
5. Adjust the charcoal tray hook to low position. Wait for charcoal flames to subside.
6. Once briquettes are glowing, use the charcoal tray hook to adjust charcoal pan to desired cooking position.

ADJUSTING TEMPERATURE

To control the cooking temperature, shift the ventilation adjustment bracket at the left and right side panels to open and close the ventilation. To increase temperature, open the ventilation. To decrease temperature, close the ventilation.

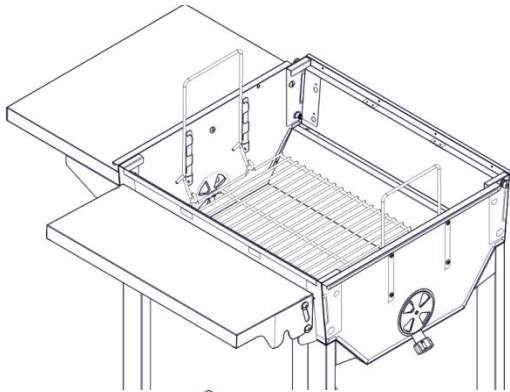
NOTE: The temperature should not exceed 650° F, The temperature can be checked using the temperature gauge on the grill lid.

⚠ WARNING

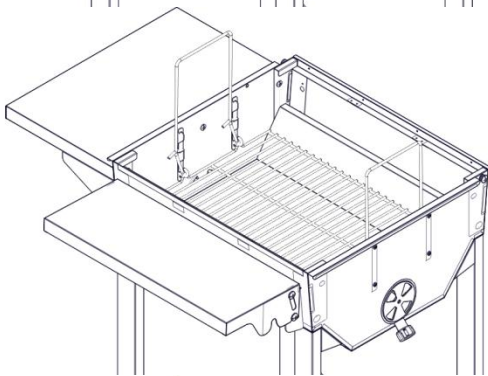
Always wear oven mitts/glovers when adjusting cooking levels to protect your hands from burn.

⚠ WARNING

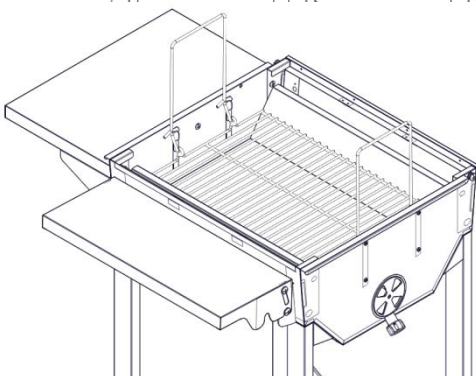
Do not use grill without charcoal ash drawer in place. DO NOT attempt to remove charcoal ash tray while drawer contains hot coals.



Low Level



Middle Level



High Level

Operating Tips

When the grill is completely cooled, use a glove to remove Charcoal Grid to add charcoal to the Charcoal Pan.

Charcoal Tray Hook Operation

By lifting the charcoal tray hook, the charcoal pan can be raised or lowered to adjust the cooking heat at any time during cooking. Raising the pan increases direct heat. Lowering the pan reduces direct heat. Raise the tray after unit has cooled down completely to make it easier to brush left over ash into the ash tray. Do not raise the tray higher than halfway when fully loaded with fresh charcoal.

Ventilation Adjustment Bracket Operation

To adjust ventilation, move the ventilation adjustment bracket to the right or left.

 **READ ALL SAFETY WARNINGS AND INSTRUCTIONS CAREFULLY BEFORE OPERATING YOUR GRILL.**

Grilling/Searing

1. Follow the instructions below carefully to build a fire. You may use charcoal and /or wood as fuel in the Professional Grill (See “Adding Charcoal/Wood During Cooking” section of this manual).



WARNING:

Never use charcoal that has been pre-treated with lighter fluid. Use only a high grade plain charcoal or charcoal wood mixture.

If using a Charcoal Chimney Starter, follow all manufacturer’s warnings and instructions regarding the use of their product. Start with 7 pounds of charcoal. This should be enough charcoal to cook with, once the curing process has been completed. Pull the air ventilator to the left halfway. When charcoal is burning strong, carefully place hot coals in center of charcoal pan.



WARNING:

DO NOT use grill without charcoal ash tray in place. DO NOT attempt to remove charcoal ash tray while tray contains hot coals.

NOTE: To extend the life of your grill, make sure that hot coals and wood do not touch the walls of grill.

IF USING CHARCOAL CHIMNEY STARTER, PROCEED TO STEP 4

If you choose to use charcoal lighting fluid, ONLY use charcoal lighting fluid approved for lighting charcoal. Do not use gasoline, kerosene, alcohol or other flammable material for lighting charcoal. Follow all manufacturer’s warnings and instructions regarding the use of their product. Start with 7 pounds of charcoal. Placed the charcoal in center of charcoal pan.

2. Saturate charcoal with lighting fluid. With lid open wait 2 to 3 minutes to allow lighting fluid to soak into charcoal. Store charcoal lighting fluid safely away from the grill.

3. With grill lid open, stand back and carefully light charcoal and allow to burn covered with a lighting ash (approximately 20 minutes).



WARNING:

Charcoal lighting fluid must be allowed to completely burn off prior to closing grill lid (approximately 20 minutes). Failure to do this could trap fumes from charcoal lighting fluid in grill and may result in a flash-fire or explosion when lid is opened.

4. Place cooking grill on grill support lips. Use charcoal pan to desired cooking level.



WARNING:

Always wear oven mitts/gloves when adjusting cooking levels to protect your hands from burns.

5. Place food on cooking grill and close grill lid. By closing the front air ventilation more, the burning intensity is slowed. Always use a meat thermometer to ensure food is fully cooked before removing from grill.

6. Allow grill to cool completely, then follow instructions in the "After-Use Safety" and "Proper Care & Maintenance" section of this manual.

Regulating Heat

To increase heat, more charcoal may be needed or an adjustment to charcoal height. Follow instructions in "Adding Charcoal During Cooking" section of this manual.

To maintain the temperature, more charcoal may need to be added or an adjustment may be necessary during the cooking cycle to charcoal height.

Add Charcoal/Wood During Cooking

Additional charcoal and/or wood may be required to maintain or increase cooking temperature.

1. Stand back and carefully open grill lid. Use caution since flames can flare-up when fresh air suddenly comes in contact with fire.



WARNING:

Wear protective gloves or oven mitts when adjusting cooking grill or charcoal pan height.

2. Wearing oven mitts/gloves, use charcoal pan handle to adjust the charcoal pan to the low position. Remove the food from cooking grid, then remove the cooking grid.

3. Stand back a safe distance and use long cooking tongs to lightly brush aside ashes on hot coals. Use cooking tongs to add charcoal and/or wood to charcoal pan, being careful not to stir-up ashes and sparks. If necessary, use your charcoal chimney starter to light additional charcoal and/or wood and add to existing fire.



WARNING:

Never add charcoal lighting fluid to hot or even warm coals as flashback may occur causing severe burns.

4. When the charcoal is burning strong again, wear oven mitts/gloves and carefully return charcoal pan to desired cooking level.

5. Close the grill lid and door. Allow food to continue cooking.

After-Use Safety



WARNING:

- ◆ Always allow grill and all components to cool completely before handling.
- ◆ Never leave coals and ashes in grill unattended. Make sure coals and ashes are completely extinguished before removing.
- ◆ Before grill can be left unattended, remaining coals and ashes must be removed from grill. Use caution to protect yourself and property. Place remaining coals and ashes in a non-combustible metal container and completely saturate with water. Allow coals and water to remain in metal container 24 hours prior to disposing.
- ◆ Extinguished coals and ashes should be placed a safe distance from all structures and combustible materials.
- ◆ With a garden hose, completely wet surface beneath and around the grill to extinguish any ashes, coals or embers which may have fallen during the cooking or cleaning process.
- ◆ Cover and store grill in a protected area away from children and pets.

- ◆ To protect your grill from excessive rust, the unit must be properly cleaned and covered at all times when not in use.
- ◆ Wash cooking grill and charcoal grate with hot, soapy water, rinse well and dry.
- ◆ Clean inside and outside of grill by wiping off with a damp cloth. Apply a light coat of vegetable oil or vegetable oil spray to the interior surface to prevent rusting. Do not coat charcoal tray or charcoal ash tray.
- ◆ If rust appears on the exterior surface of your grill, clean and buff the affected area with steel wool or fine grit emery cloth, Touch-up with a good quality high-temperature resistant paint.
- ◆ Never apply paint to the interior surface. Rust spots on the interior surface can be buffed, cleaned, then lightly coated with vegetable oil or vegetable oil spray to minimize rusting.

Ordering Parts

HOW TO ORDER REPLACEMENT PARTS

To make sure you obtain the correct replacement part (s) for your gas grill, please refer to the parts list on pages **10-11**. The following information is required to assure getting the correct part. Please note the shipping cost for the delivery of any replacement parts will be at your cost.

- Gas grills model number (see data sticker on grill).
- Part number of replacement part needed.
- Description of replacement part needed.
- Quantity of parts needed.

To obtain replacement parts, contact **our customer service** hotline **U.S.A:1-800-913-8999**.

IMPORTANT

Use only factory authorized parts. The use of any part that is not factory authorized can be dangerous. This will also void your warranty.

Keep this assembly and operating instruction manual for convenient referral, and for replacement parts ordering.

LIMITED WARRANTY (Model # 810-0025)

The manufacturer warrants to the original consumer-purchaser only that this product (*Model #810-0025*) shall be free from defects in workmanship and materials after correct assembly and under normal and reasonable home use for the periods indicated below beginning on the date of purchase. The manufacturer reserves the right to require photographic evidence of damage, or that defective parts be returned, postage and/or freight pre-paid by the consumer, for review and examination.

•**ALL PARTS:** 1 year *LIMITED* warranty (Includes, but not limited to frame, housing, cart, control panel) **Does not cover chipping, scratching, cracking surface corrosion, or rust.*

Upon consumer supplying proof of purchase as provided herein, Manufacturer will repair or replace the parts which are proven defective during the applicable warranty period. Parts required to complete such repair or replacement shall be free of charge to you except for shipping costs, as long as the purchaser is within the warranty period from the original date of purchase. The original consumer-purchaser will be responsible for all shipping charges of parts replaced under the terms of this limited warranty. This limited warranty is applicable in the United States and Canada only, is only available to the original owner of the product and is *not transferable*. Manufacturer requires reasonable proof of your date of purchase. Therefore, you should retain your sales receipt and/or invoice. If the unit was received as a gift, please ask the gift-giver to send in the receipt on your behalf, to the below address. Defective or missing parts subject to this limited warranty will not be replaced without registration or proof of purchase. This limited warranty applies to the functionality of the product **ONLY** and does not cover cosmetic issues such as scratches, dents, corruptions or discoloring by heat, abrasive and chemical cleaners or any tools used in the assembly or installation of the appliance, surface rust, or the discoloration of stainless steel surfaces. Surface rust, corrosion, or powder paint chipping on metal parts that does not affect the structural integrity of the product is not considered a defect in workmanship or material and is not covered by this warranty. This limited warranty will not reimburse you for the cost of any inconvenience, food, personal injury or property damage. If an original replacement part is not available, a comparable replacement part will be sent. You will be responsible for all shipping charges of parts replaced under the terms of this limited warranty.

MANUFACTURER WILL NOT PAY FOR:

- Service calls to your home.
- Repairs when your product is used for other than normal, single-family household or residential use.
- Damage resulting from accident, alteration, misuse, lack of maintenance/cleaning, abuse, fire, flood, acts of God, improper installation, and installation not in accordance with electrical or plumbing codes or misuse of product..
- Any food loss due to product failures.
- Replacement parts or repair labor costs for units operated outside the United States or Canada.
- Pickup and delivery of your product.
- Postage fees or photo processing fees for photos sent in as documentation.
- Repairs to parts or systems resulting from unauthorized modifications made to the product.
- The removal and/or reinstallation of your product.
- Shipping cost, standard or expedited, for warranty/non warranty and replacement parts.

DISCLAIMER OF IMPLIED WARRANTIES: LIMITATION OF REMEDIES

Repair or replacement of defective parts is your exclusive remedy under the terms of this limited warranty. Manufacturer will not be responsible for any consequential or incidental damages arising from the breach of either this limited warranty or any applicable implied warranty, or for failure or damage resulting from acts of God, improper care and maintenance, grease fire, accident, alteration, replacement of parts by anyone other than manufacturer, misuse, transportation, commercial use, abuse, hostile environments (inclement weather, acts of nature, animal tampering), improper installation or installation not in accordance with local codes or printed manufacturer instructions.

THIS LIMITED WARRANTY IS THE SOLE EXPRESS WARRANTY GIVEN BY THE MANUFACTURER. NO PRODUCT PERFORMANCE SPECIFICATION OR DESCRIPTION WHEREVER APPEARING IS WARRANTED BY MANUFACTURER EXCEPT TO THE EXTENT SET FORTH IN THIS LIMITED WARRANTY. ANY IMPLIED WARRANTY PROTECTION ARISING UNDER THE LAWS OF ANY STATE, INCLUDING IMPLIED WARRANTY OF MERCHANTABILITY OR FITNESS FOR A PARTICULAR PURPOSE OR USE, IS HEREBY LIMITED IN DURATION TO THE DURATION OF THIS LIMITED WARRANTY.

Neither dealers nor the retail establishment selling this product has any authority to make any additional warranties or to promise remedies in addition to or inconsistent with those stated above. Manufacturer's maximum liability, in any event, shall not exceed the documented purchase price of the product paid by the original consumer. This warranty only applies to units purchased from an authorized retailer and or re-seller. **NOTE:** Some states do not allow an exclusion or limitation of incidental or consequential damages, so some of the above limitations or exclusions may not apply to you; this limited warranty gives you specific legal rights as set for herein. You may also have other rights which vary from state to state.

If you wish to obtain performance of any obligation under this limited warranty, you should write to:

Nexgrill Customer Relations
14050 Laurelwood Pl
Chino, CA 91710

All consumer returns, parts orders, general questions, and troubleshooting assistance can be acquired by calling U.S.A.:1-800-913-8999

Instrucciones de seguridad.	28	Instrucciones de ensamblaje	37
Componentes	30	Instrucciones de encendido	48
Lista de piezas del paquete	32	Instrucciones de operación y cocción	49
Vista en detalle	35	Cuidado y mantenimiento apropiados	50
Lista de partes	36	Ordenar repuestos	51
		Garantía limitada	52

Instrucciones de seguridad

⚠ ATENCIÓN: Este asador puede ponerse muy caliente cuando se usa. No lo mueva mientras esté en funcionamiento. No utilizar en lugares cerrados.

⚠ PRECAUCIÓN: ¡No use alcohol, gasolina o líquidos semejantes para encender o reencender la parrilla!
ADVERTENCIA: Mantenga alejados a niños y mascotas.

⚠ ADVERTENCIA

No queme más de **7** libras de carbón en esta unidad de una sola vez.
Siempre tenga un extinguidor de fuego cerca.
La parrilla es sólo para uso al aire libre, en áreas bien ventiladas.
El consumo de alcohol o fármacos prescritos o no prescritos puede reducir la capacidad del usuario para armar esta unidad correctamente y para utilizarla de manera segura.
Tenga cuidado al levantar o al mover la unidad para así evitar lesiones o daño en la espalda.
Es aconsejable que sean dos personas las que levanten o muevan la unidad. No mueva la unidad mientras esté en uso.
NO utilice la unidad cerca o debajo de materiales inflamables o combustibles tales como cubiertas, porches o cocheras. Se requiere un espacio mínimo de 36 pulgadas (92 cm) de cualquier material combustible. NO utilice esta unidad sobre construcciones o materiales combustibles.

Advertencias de la Proposición 65 del estado de California:

ADVERTENCIA: Este producto contiene una o más sustancias químicas identificadas por el estado de California como causantes de cáncer.

ADVERTENCIA: Este producto contiene una o más sustancias químicas identificadas por el estado de California como causantes de defectos congénitos o algún otro tipo de daños en la función reproductora.

En el estado de Massachusetts se aplican las siguientes instrucciones de instalación:

- Las instalaciones y reparaciones se deben efectuar por un contratista, plomero o gasista calificado o licenciado por el estado de Massachusetts.
- Si se usa una válvula de bola, debe ser un tipo de manigueta T.
- Si se usa un conector de gas flexible no debe exceder de 3 pies.

ADVERTENCIA

Este producto no debe utilizarse como calentador.

Utilice esta unidad sobre una superficie estable, plana y no inflamable, tal como asfalto, concreto o suelo sólido. NO utilice esta unidad sobre un material inflamable tal como una alfombra o piso de madera.

Tenga cuidado al armar y al utilizar esta unidad para no cortarse ni rasparse con los bordes. NO utilice este producto con otro fin que no sea aquel para el que fue diseñado. El presente producto no tiene un fin comercial. No debe instalarse o utilizarse dentro o sobre vehículos y/o barcos recreacionales.

NO guarde esta unidad cerca de gasolina o de cualquier otro líquido combustible o donde puedan haber otros vapores combustibles.

NO guarde ni utilice este producto en lugares a los que tengan acceso niños o mascotas.

Guarde esta unidad en un lugar seco y protegido.

NO descuide la unidad mientras la esté utilizando.

PRESTE ATENCIÓN a las cenizas calientes hasta que la parrilla se haya enfriado por completo.

NO mueva la unidad mientras la esté utilizando o mientras las cenizas aún estén calientes.


Antes de mover o guardar la unidad, espere a que se enfríe por completo.


JAMÁS utilice combustible u otros fluidos altamente volátiles para encender el fuego.


Antes de colocar alimentos sobre la rejilla de cocción, espere a que se hayan apagado todas las llamas del carbón.

Para deshacerse de las cenizas frías, envuélvalas en papel de aluminio fuerte y colóquelas en un cesto no combustible. Asegúrese de que no haya otros materiales combustibles dentro o cerca del cesto.

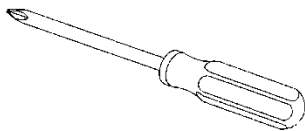
Antes de limpiar o realizarle el mantenimiento a la unidad, déjela enfriar por completo.

 **En caso de que estas instrucciones no se cumplieran, ello podría dar como resultado un incendio o una explosión que podría causar lesiones corporales graves, la muerte o daños a la propiedad.**

 **La combustión de productos que se realiza al utilizar este dispositivo libera químicos que provocan cáncer, defectos de nacimiento u otros daños en la reproducción, y el Estado de California está al tanto de esto.**

 **Su parrilla llegará a tener una temperatura muy elevada. Nunca se incline sobre el área de cocción mientras use la parrilla. No toque las superficies de cocción, la carcasa de la parrilla, la tapa o cualquier otra pieza de la parrilla mientras esta esté operando o hasta que la parrilla de carbón se haya enfriado luego de usarla.**

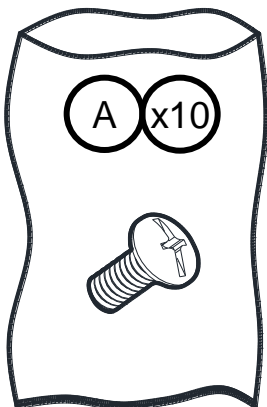
Herramientas necesarias



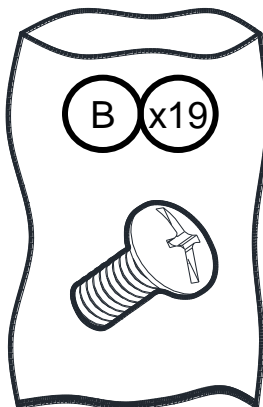
Algunas partes vienen con los tornillos pre instalados.
Afloje y apriete para el ensamble final.

Lista de tornillos del paquete

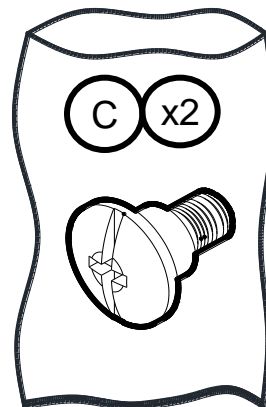
Tornillos de cabeza reforzada con la arandela 5/32" * 6 mm



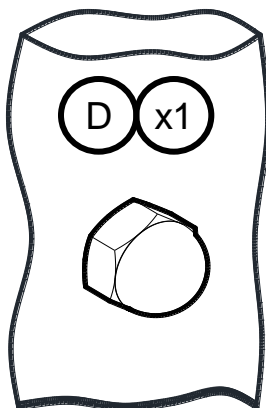
Tornillos de cabeza reforzada con la arandela 1/4" * 15mm



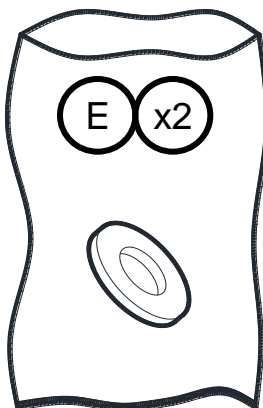
Tornillo tira fondo A



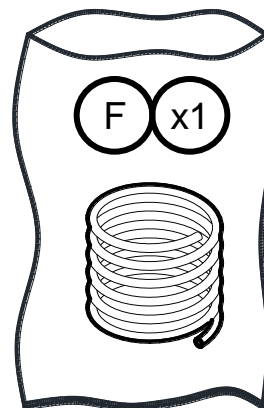
Tuerca A 1/4"



Arandela plana M8

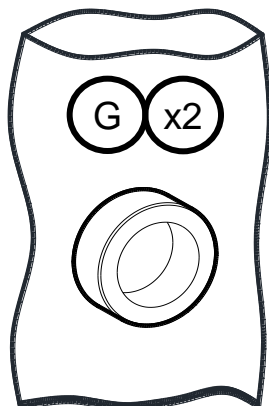


Resorte de la tapa de la chimenea

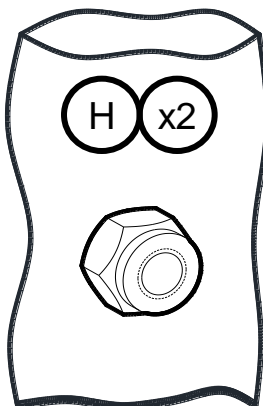


Lista de tornillos del paquete

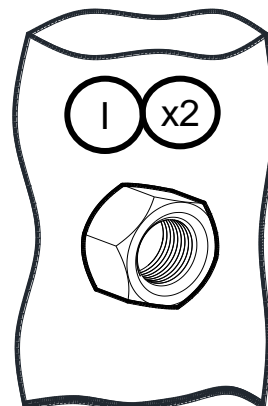
Tapa del eje de la
rueda



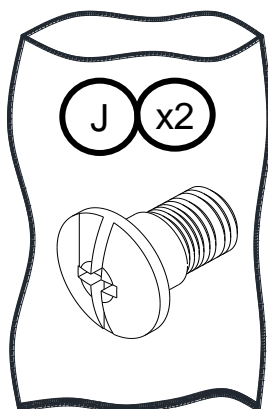
Tuerca
amortiguadora
de 5/16"



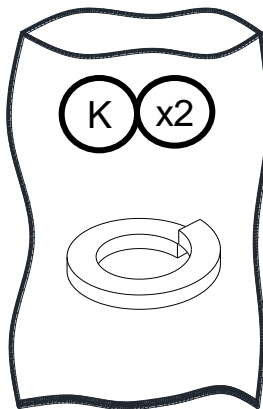
Tuerca B
1/4"



Tornillo tira fondo B
1/4"

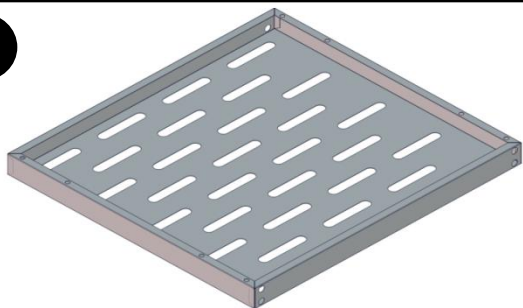


Arandela
elástica M8

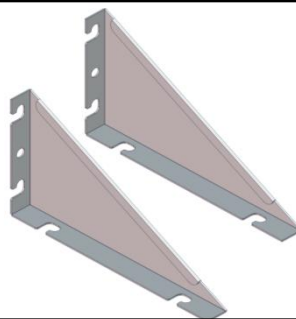


Lista de piezas del paquete

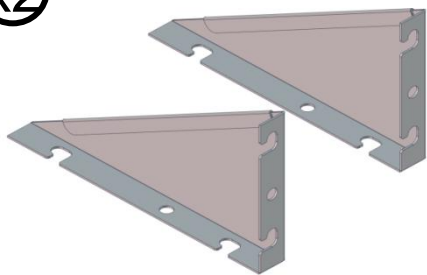
1



2 (x2)



3 (x2)



4



5



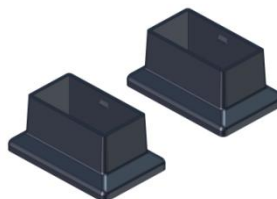
6



7



8 (x2)



9 (x2)

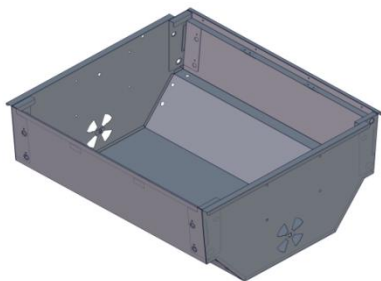


10



Lista de piezas del paquete

11



12 (x2)



13 (x2)



14 (x2)



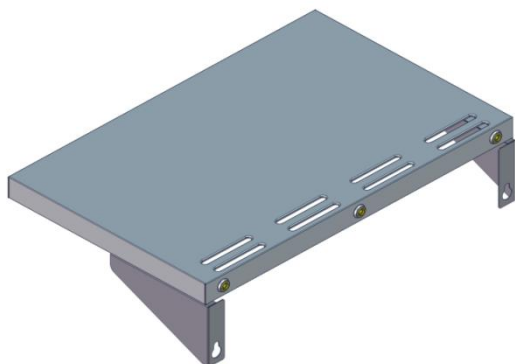
15



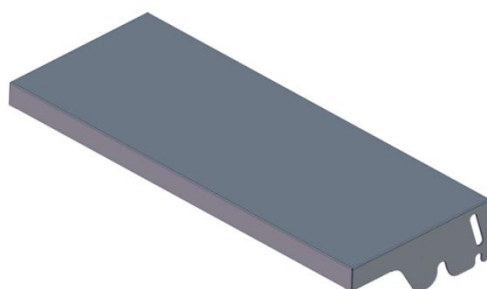
16



17



18



19

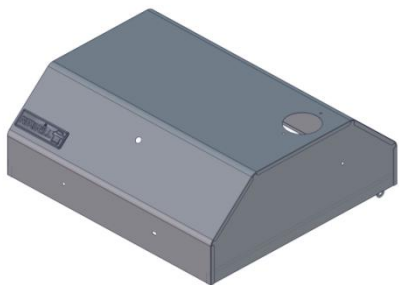


20 (x2)



Lista de piezas del paquete

21



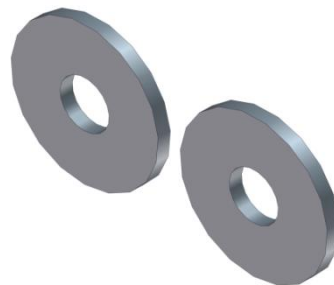
22 (x2)



23



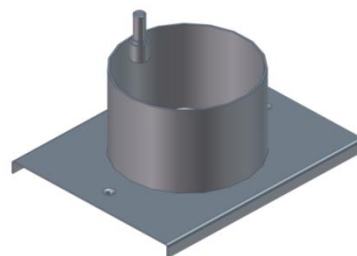
24 (x2)



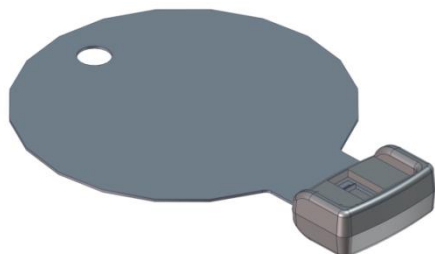
25



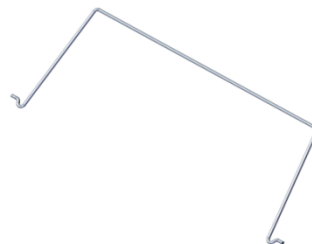
26



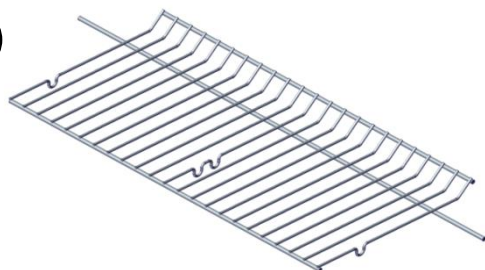
27



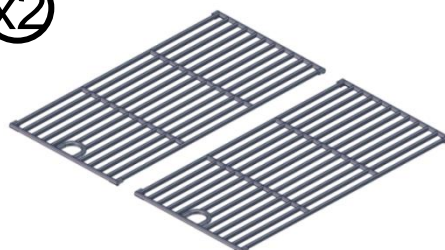
28

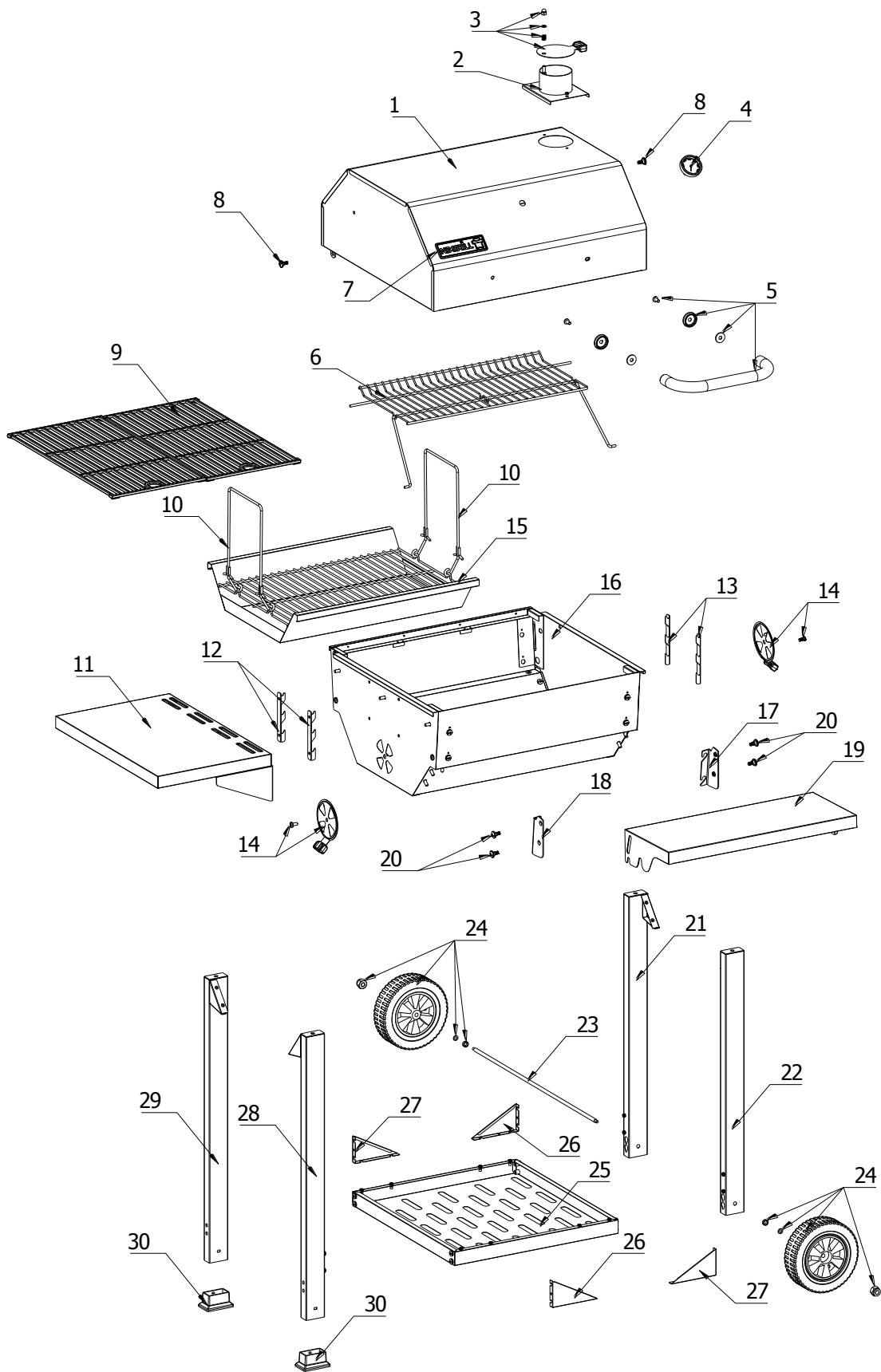


29



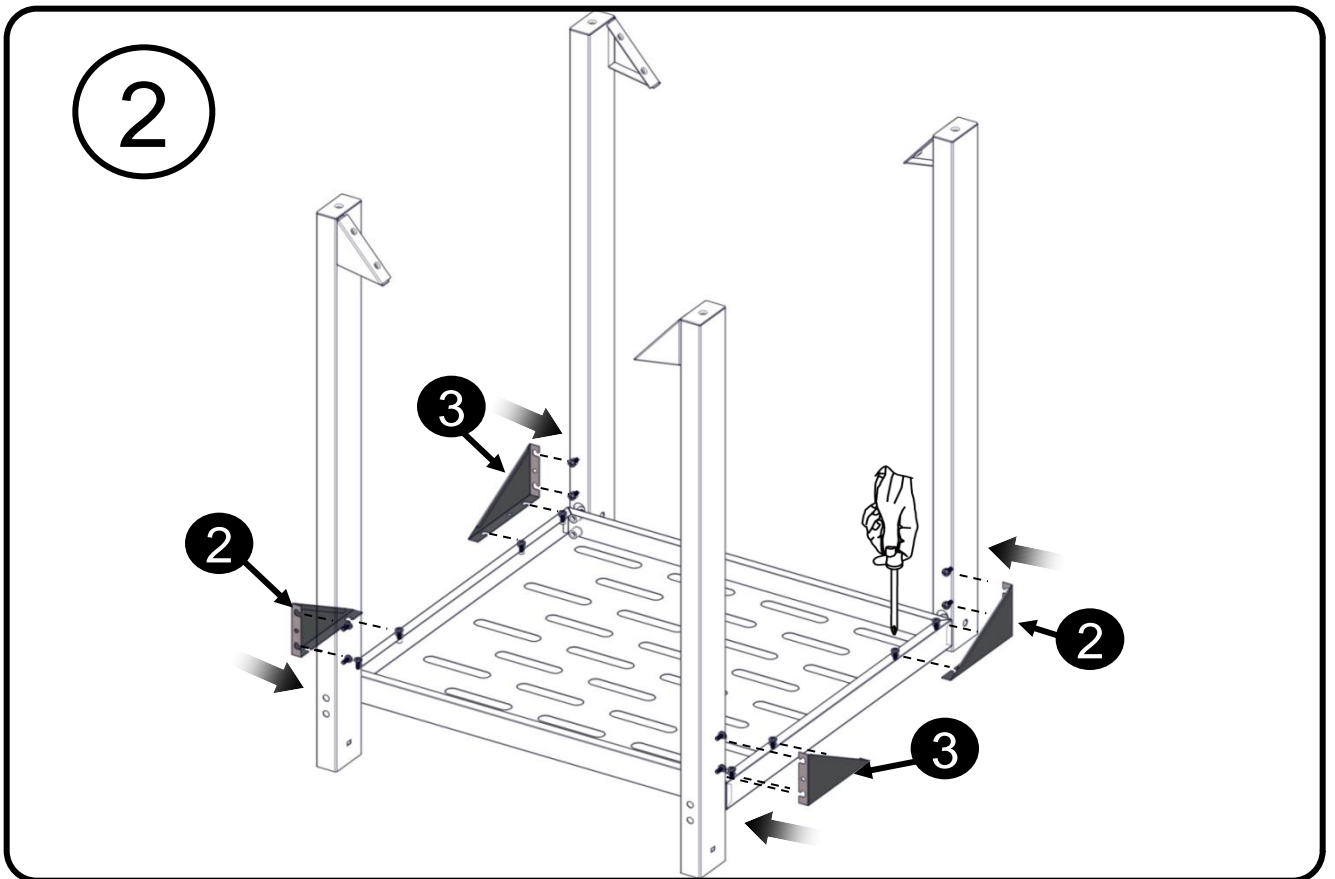
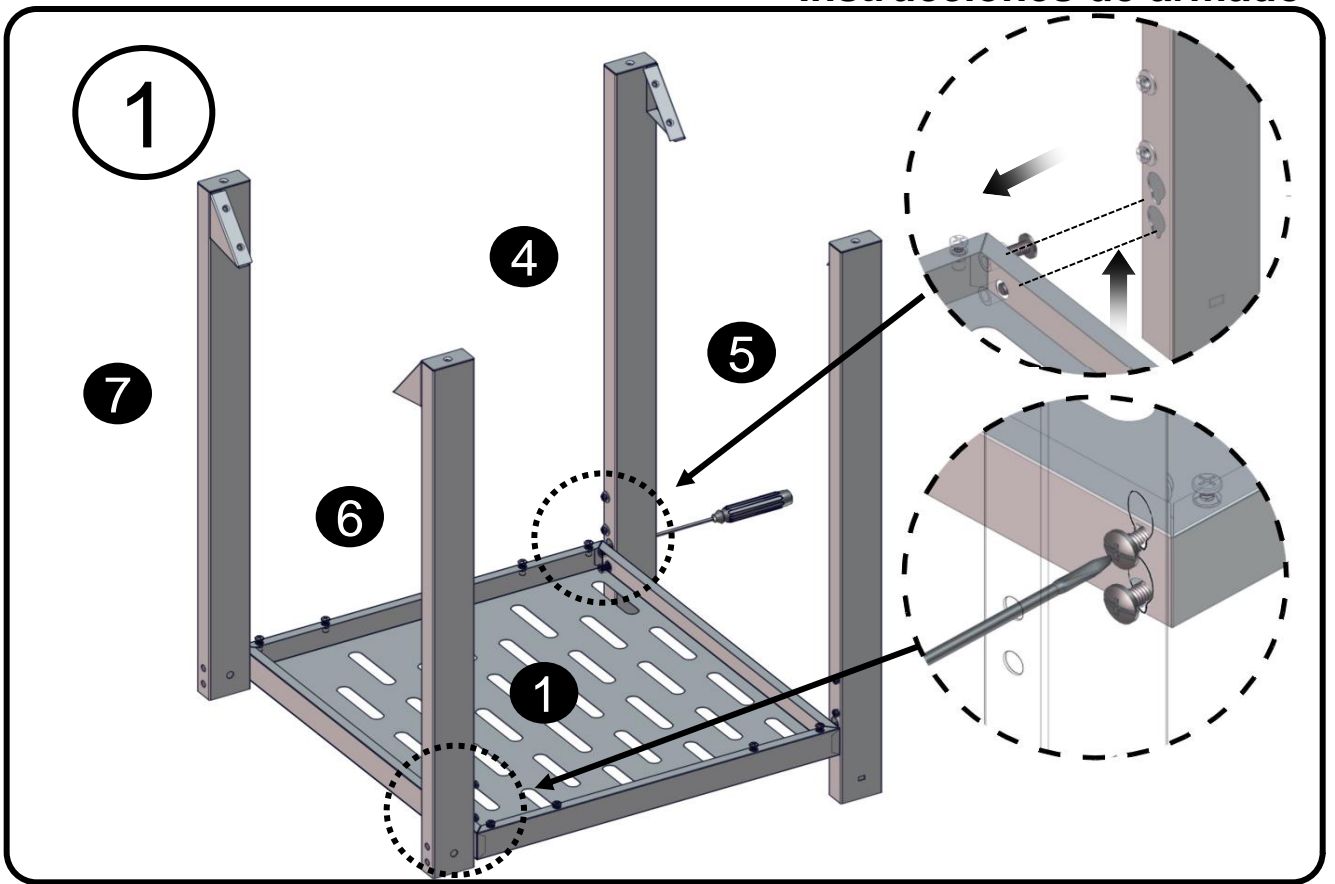
30 (x2)

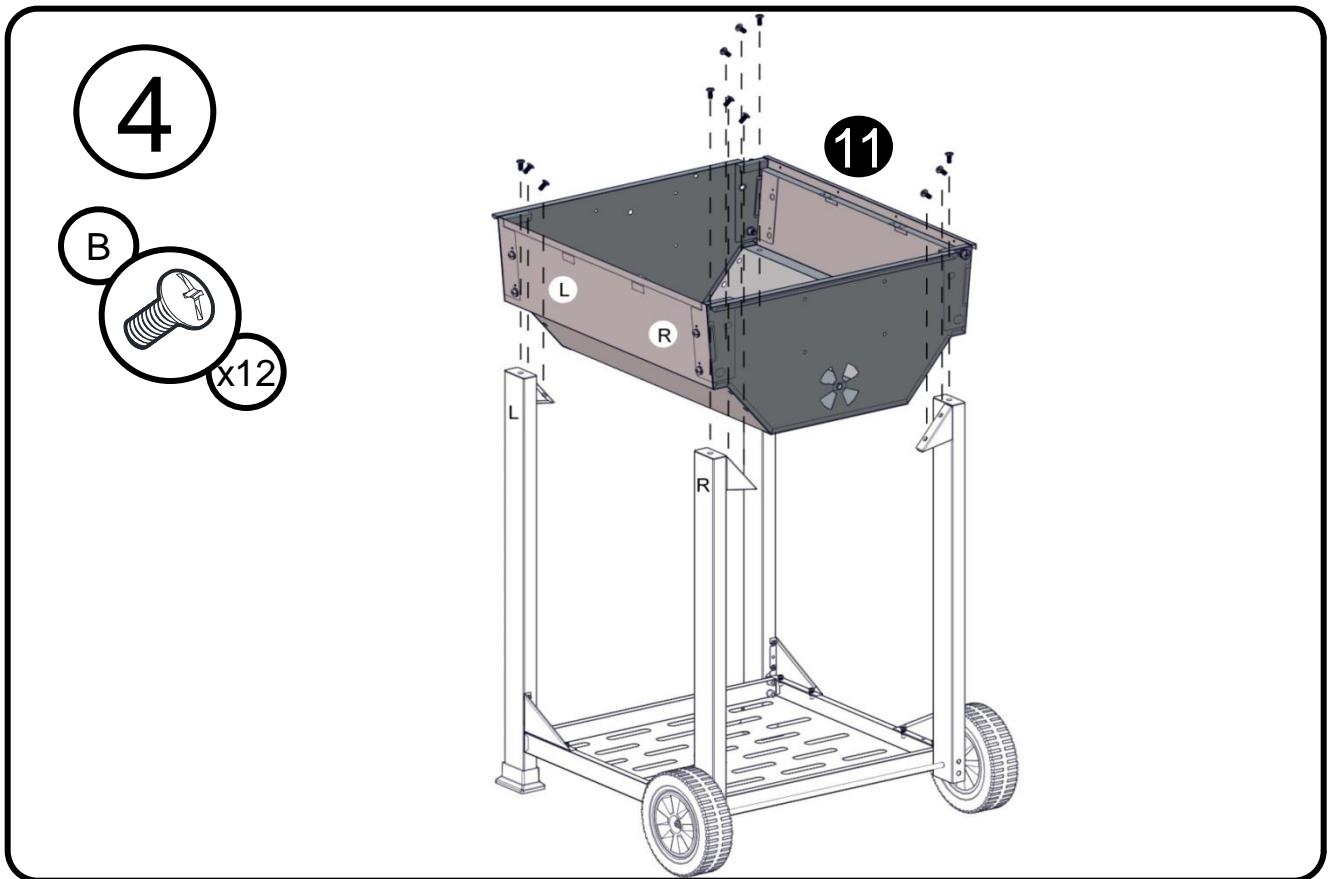
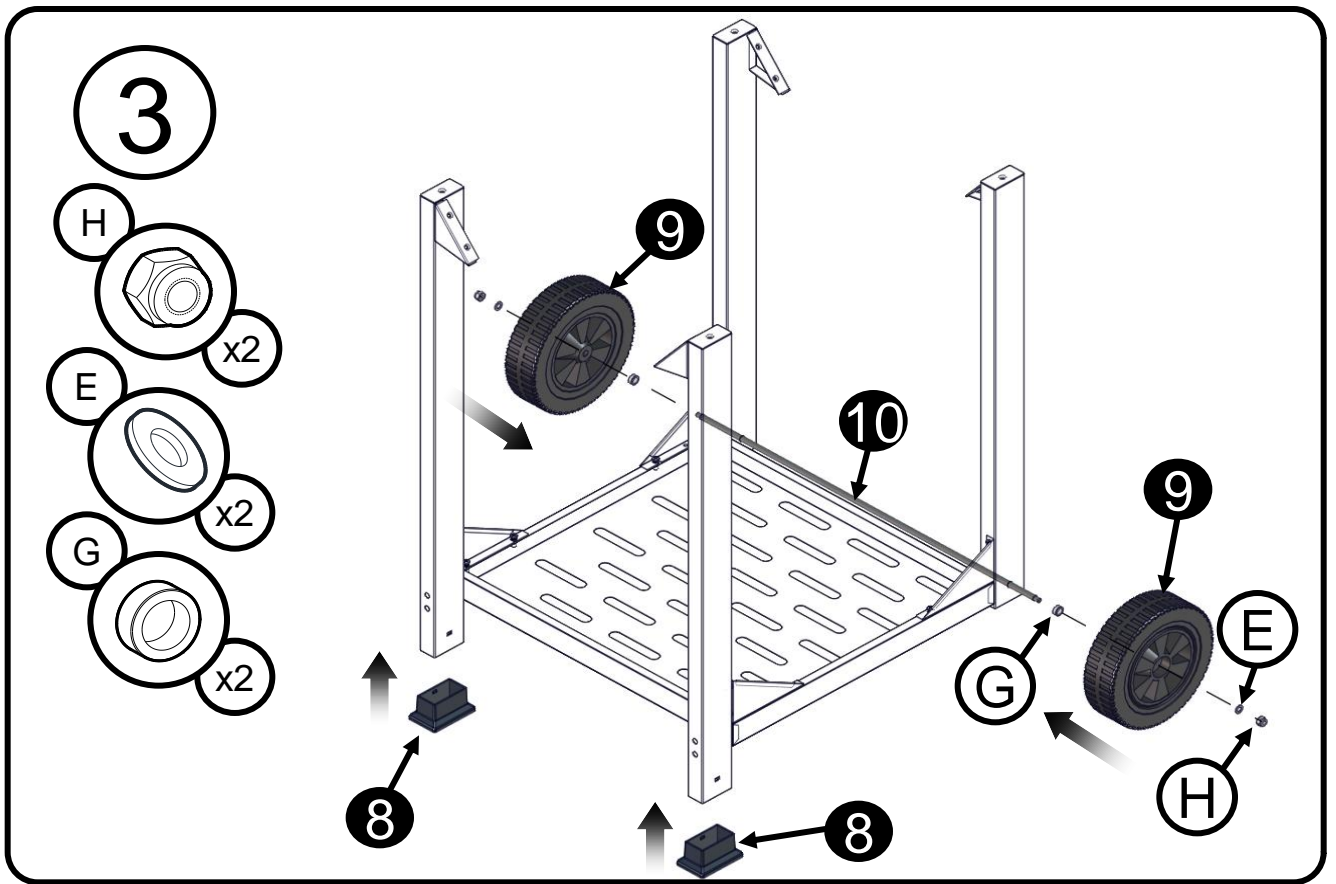


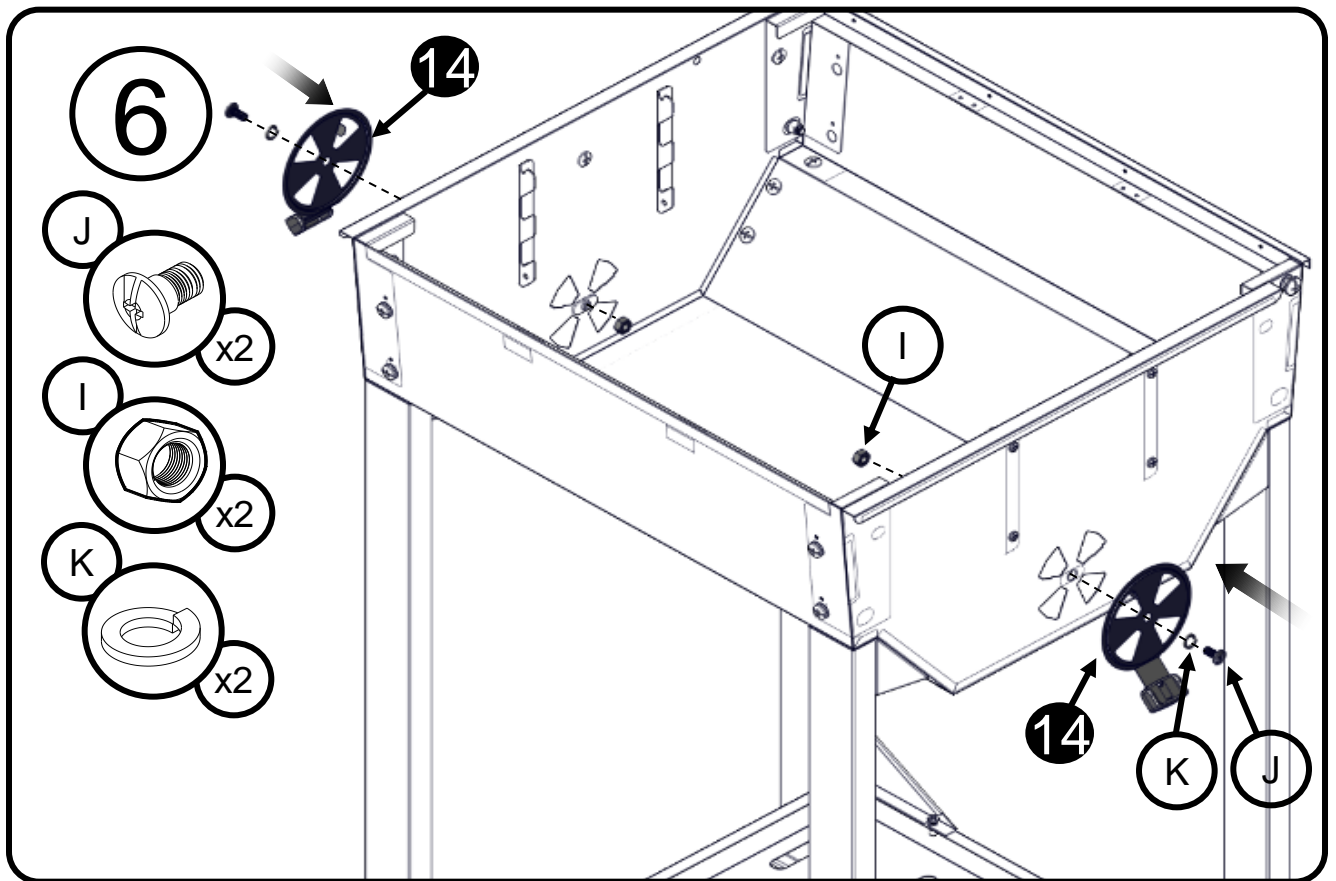
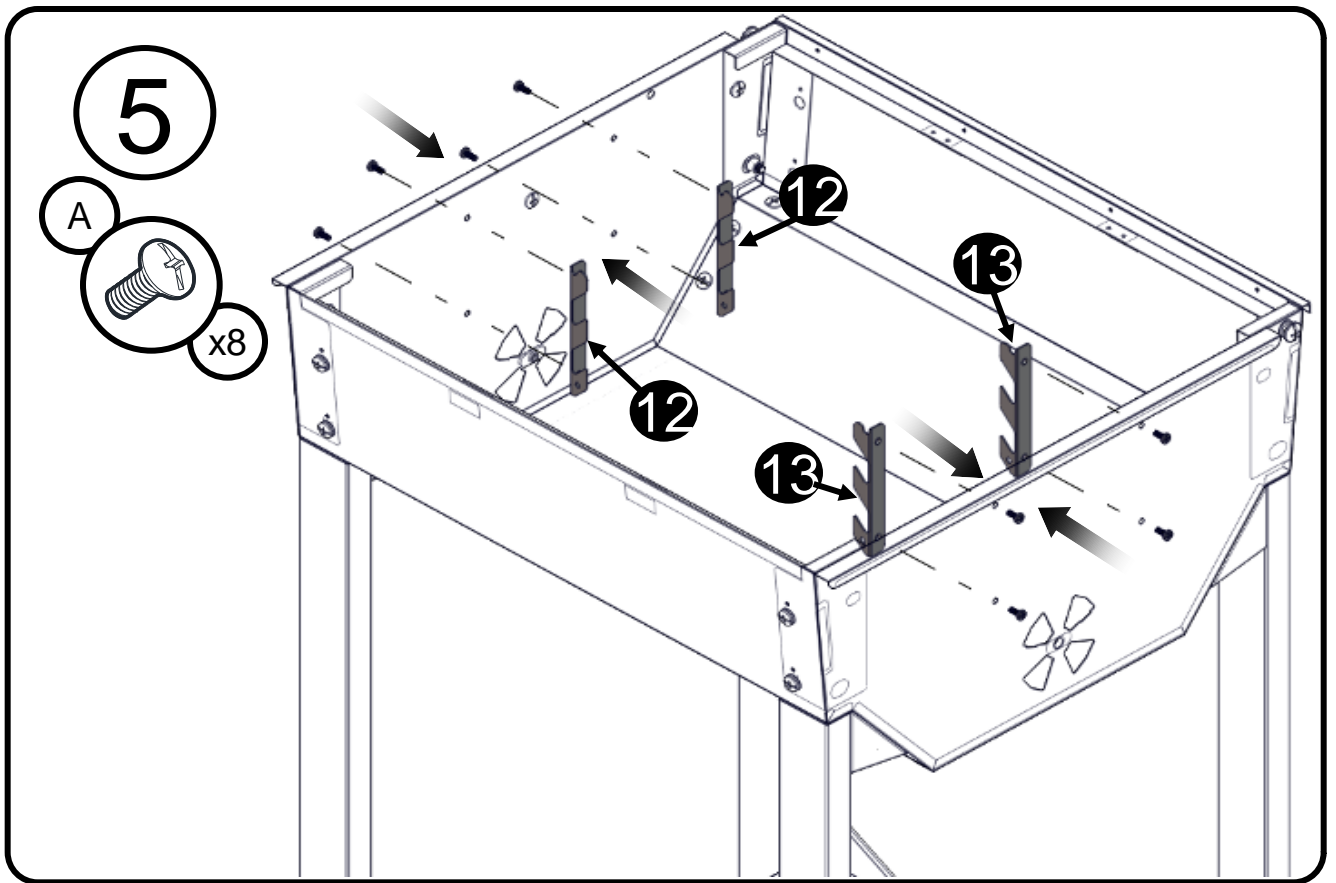


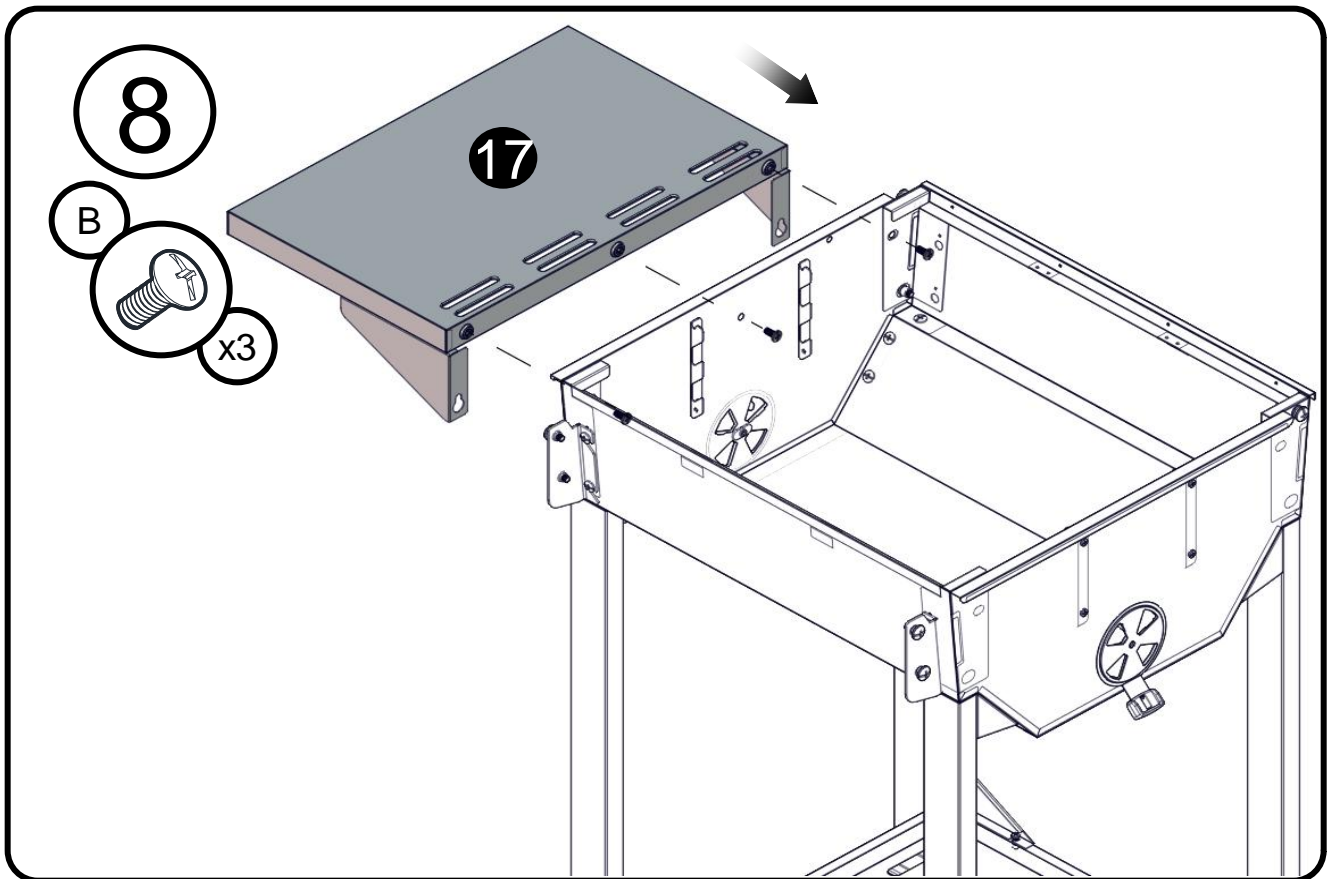
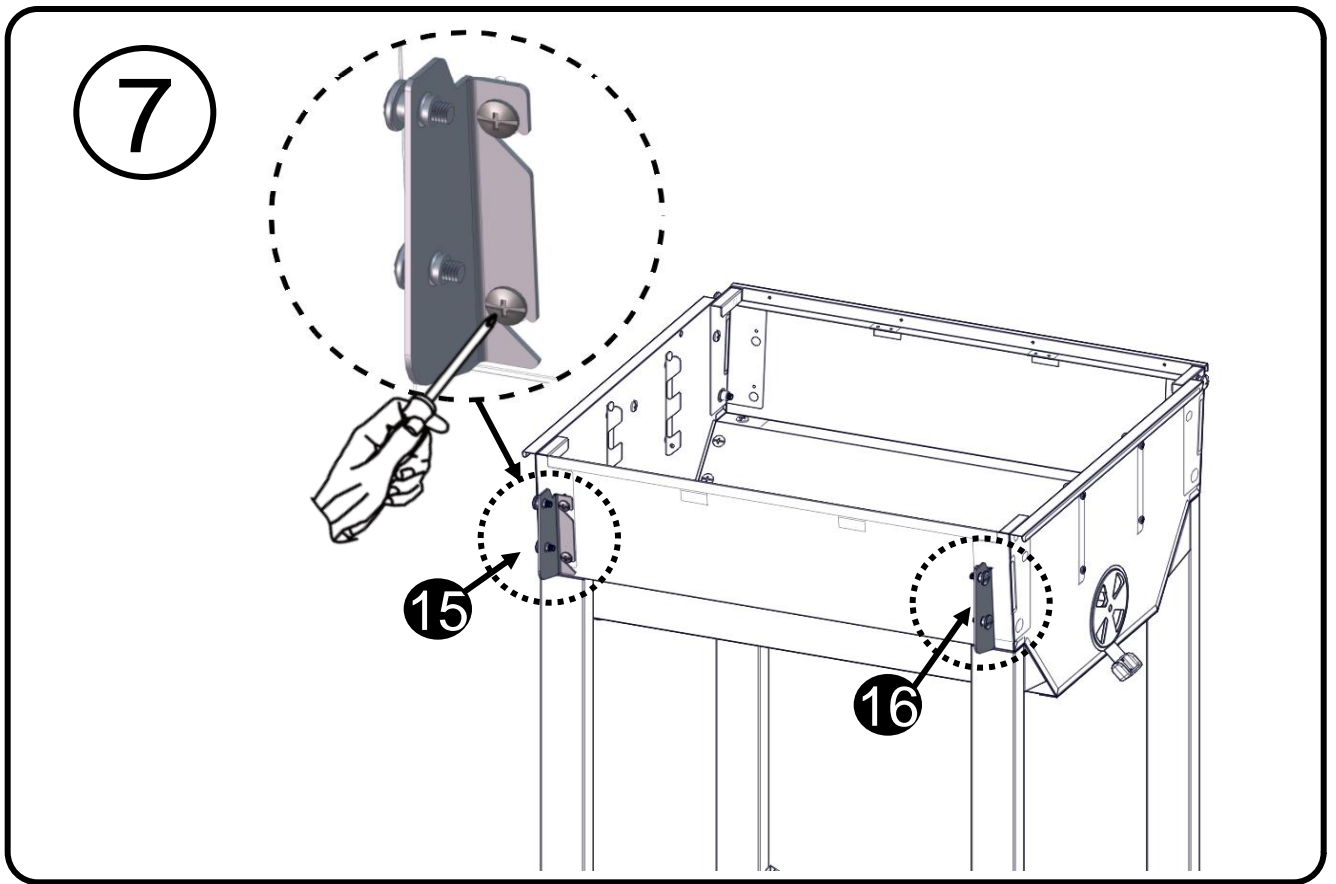
Lista de partes

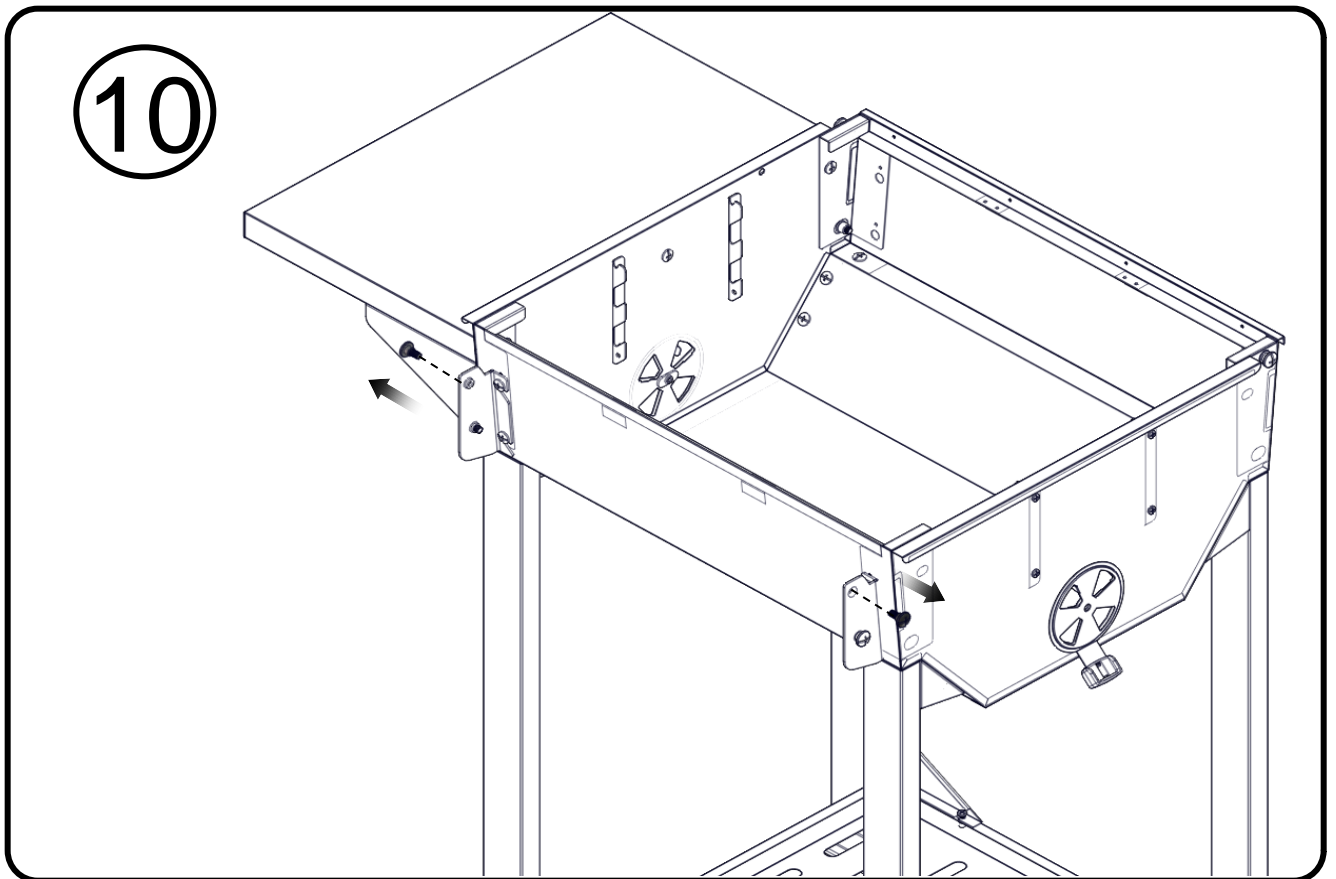
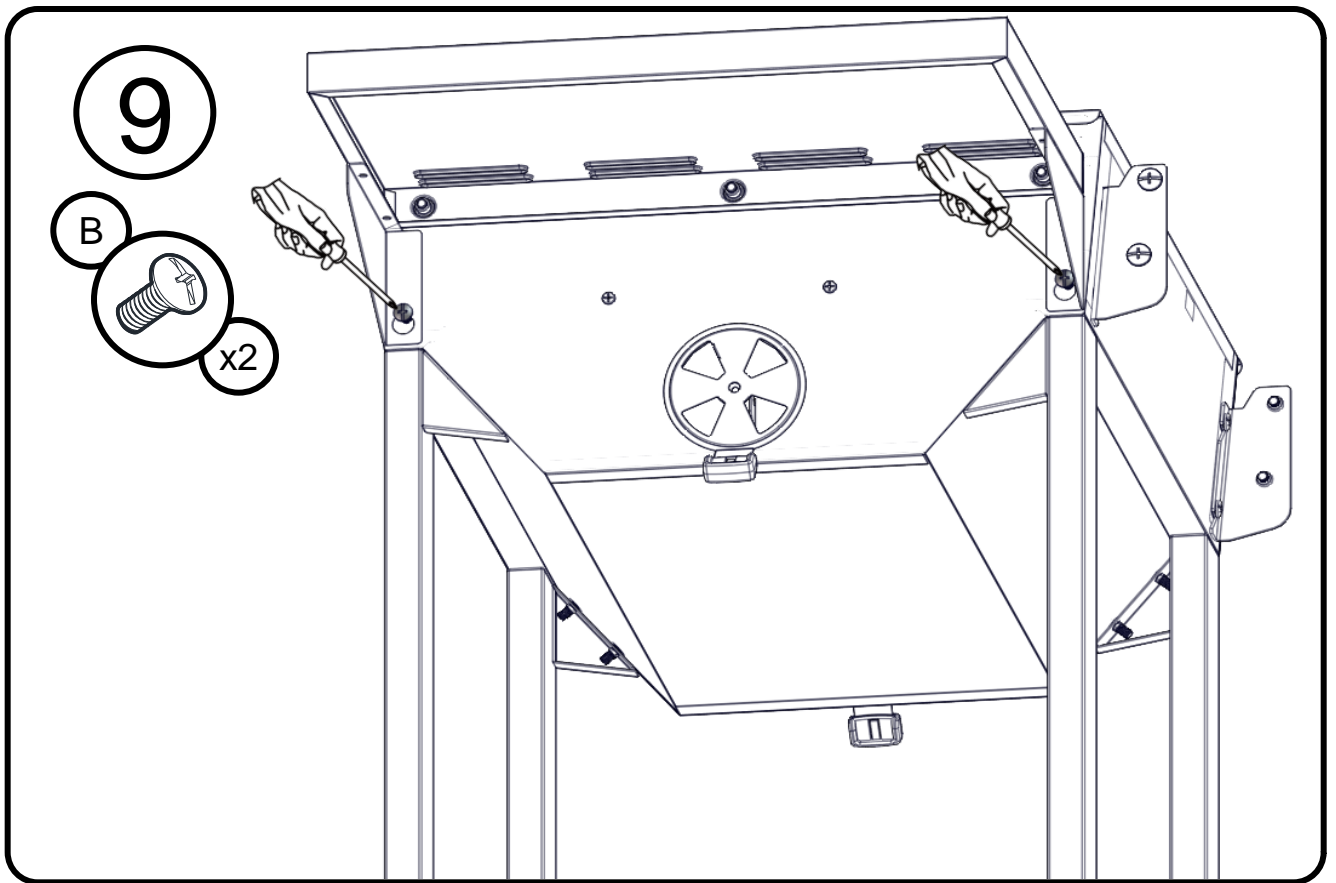
No.	Pieza (Descripción)	Garantía cobertura	CANT	No.	Pieza (Descripción)	Garantía cobertura	CANT.
1	Tapa principal	1	1	16	Embudo de carbón ensamble	No reemplazable	1
2	Chimenea de carbón	1	1	17	Abrazadera del soporte del estante frontal, lado derecho	1	1
3	Tapa de la chimenea	1	1	18	Abrazadera del soporte del estante frontal, lado izquierdo	1	1
4	Medidor de temperatura	1	1	19	Estante frontal	1	1
5	Conjunto principal del mango de la tapa	1	1	20	Tornillo tira fondo del estante lateral	1	4
6	Plataforma calentadora	1	1	21	Pata trasera derecha del carro	1	1
7	Logotipo	1	1	22	Pata delantera derecha del carro	1	1
8	Tornillo de la tapa Principal	1	2	23	Eje de la rueda	1	1
9	Rejilla de cocción con agujero	1	2	24	Rueda	1	2
10	Gancho de la bandeja para carbón	1	2	25	Panel inferior	1	1
11	Estante lateral izquierdo	1	1	26	Abrazadera triangular A	1	2
12	Soporte de la bandeja de carbón Abrazadera izquierda	1	2	27	Abrazadera triangular B	1	2
13	Soporte de la bandeja de carbón Abrazadera derecha	1	2	28	Pata delantera izquierda del carro	1	1
14	Abrazadera de ajuste de la ventilación	1	2	29	Pata trasera izquierda del carro	1	1
15	Bandeja para carbón	1	1	30	Inserción de la rueda giratoria del carro	1	2
					Manual		1
					Paquete de equipos		1



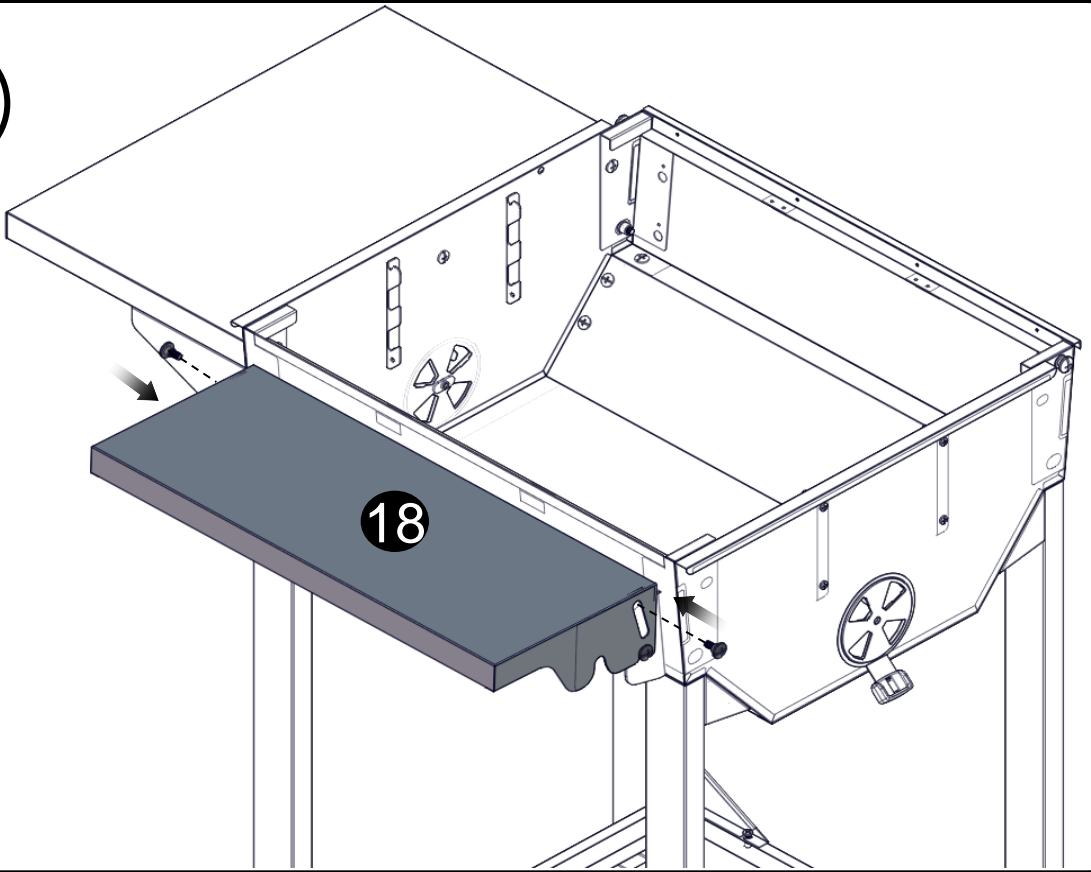




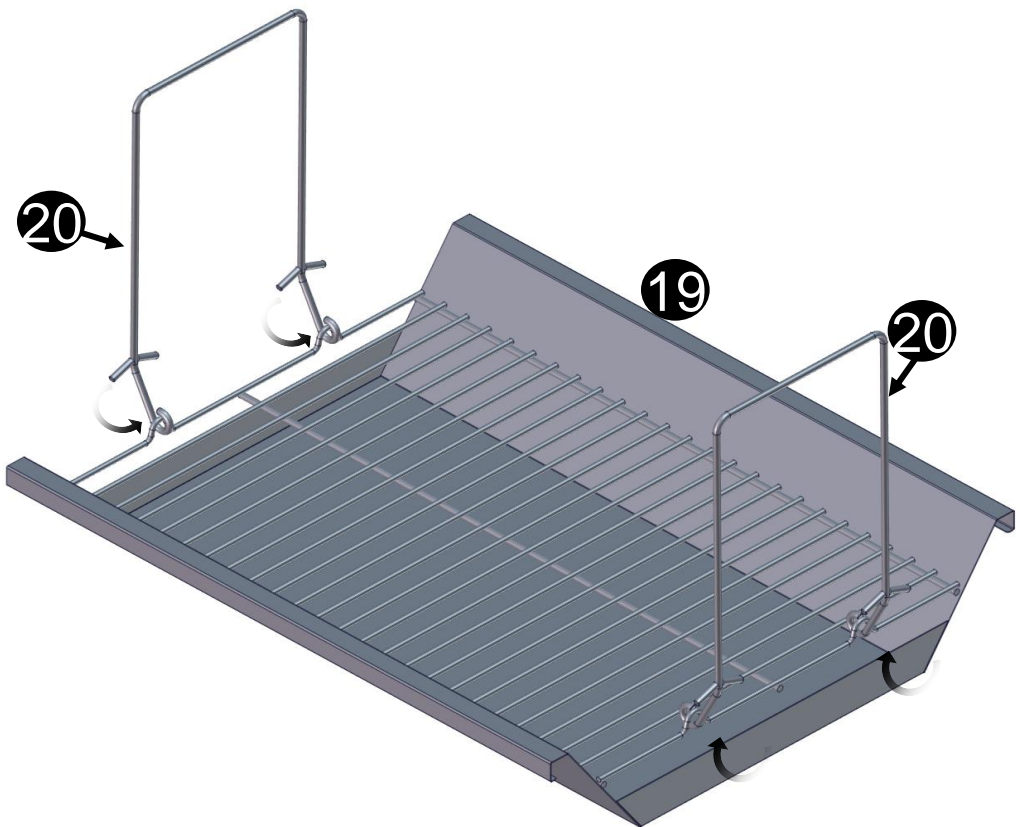




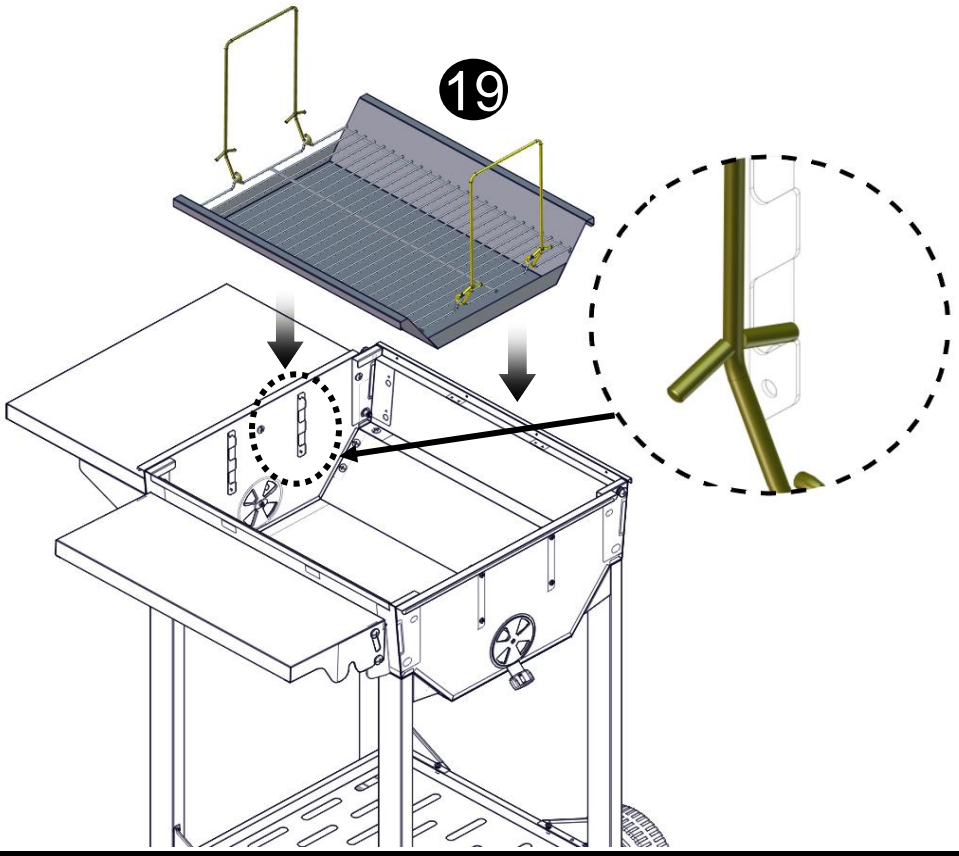
11



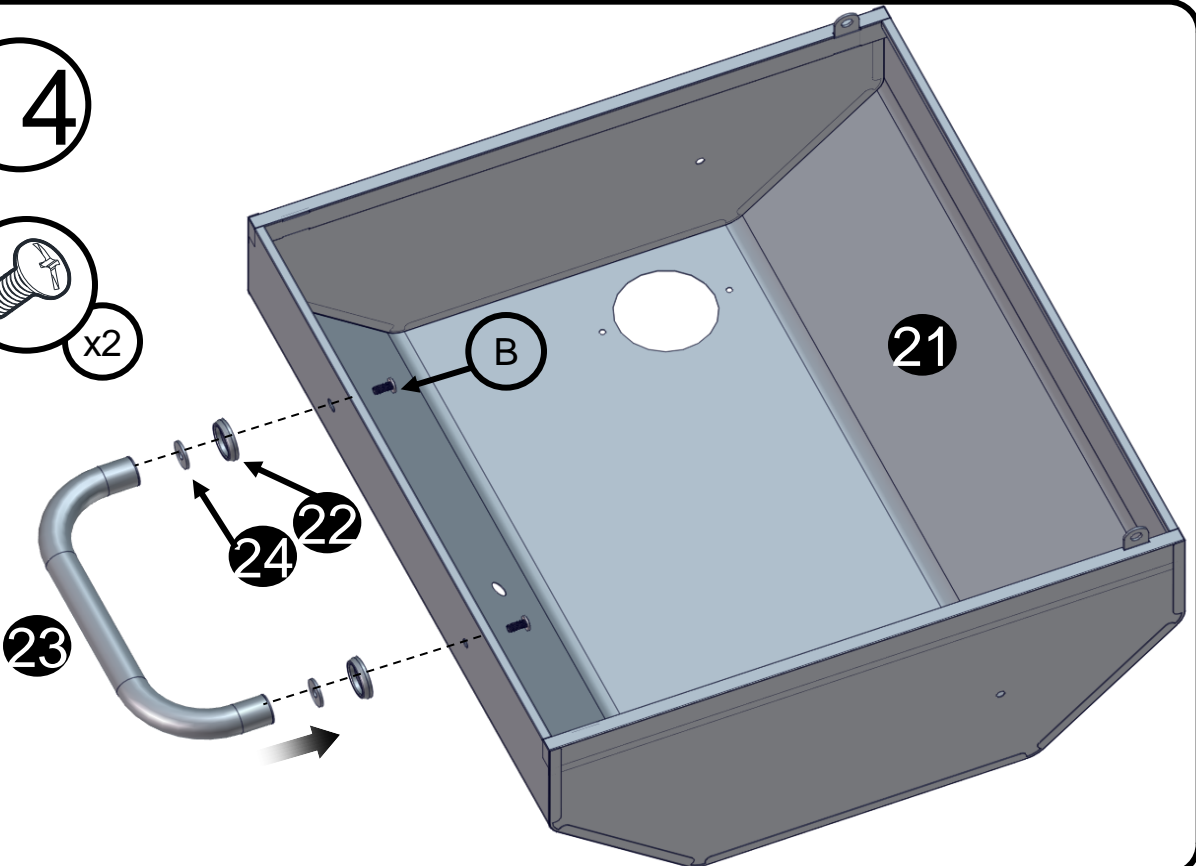
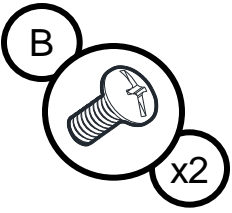
12



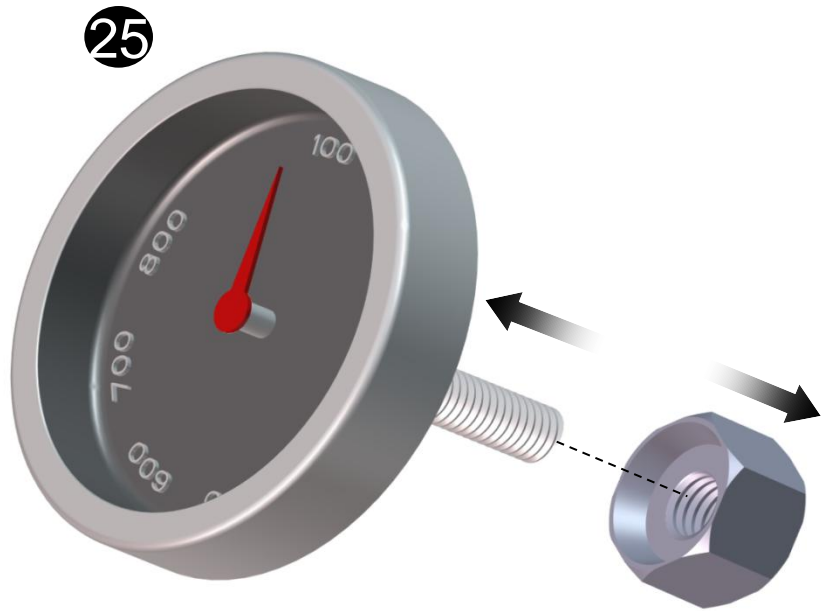
13



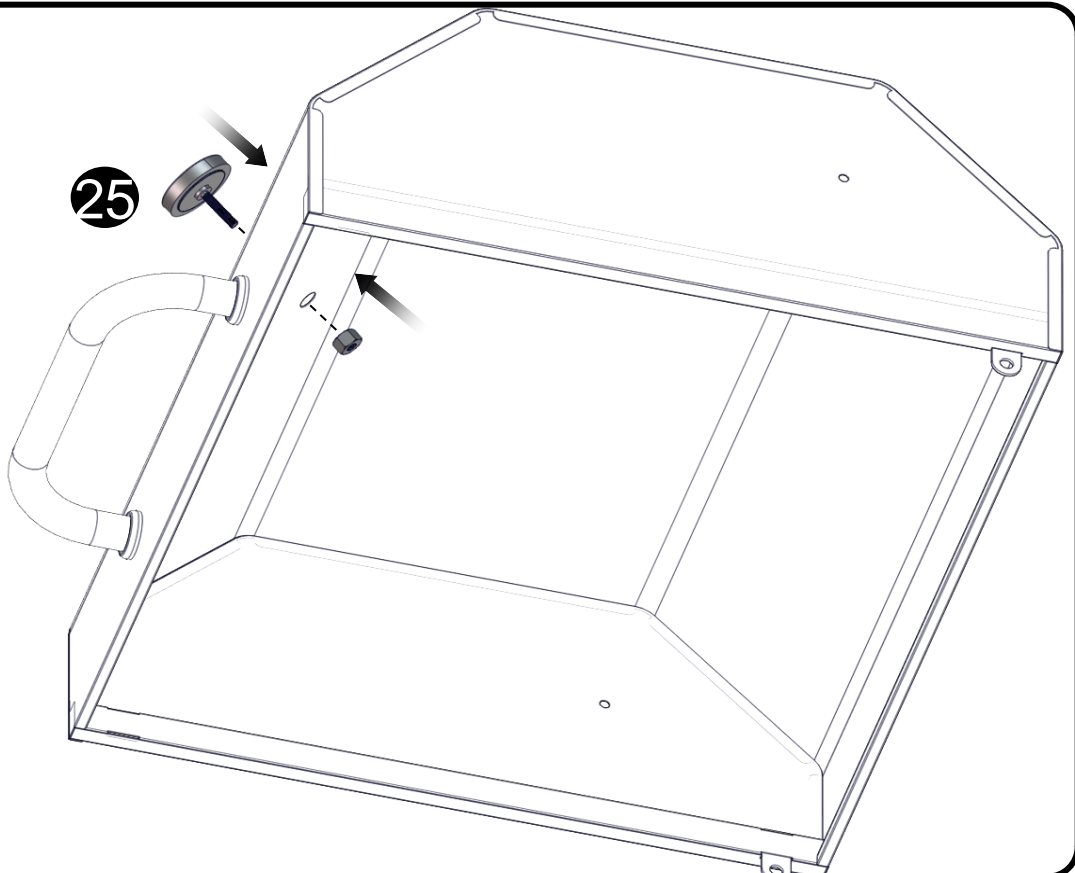
14

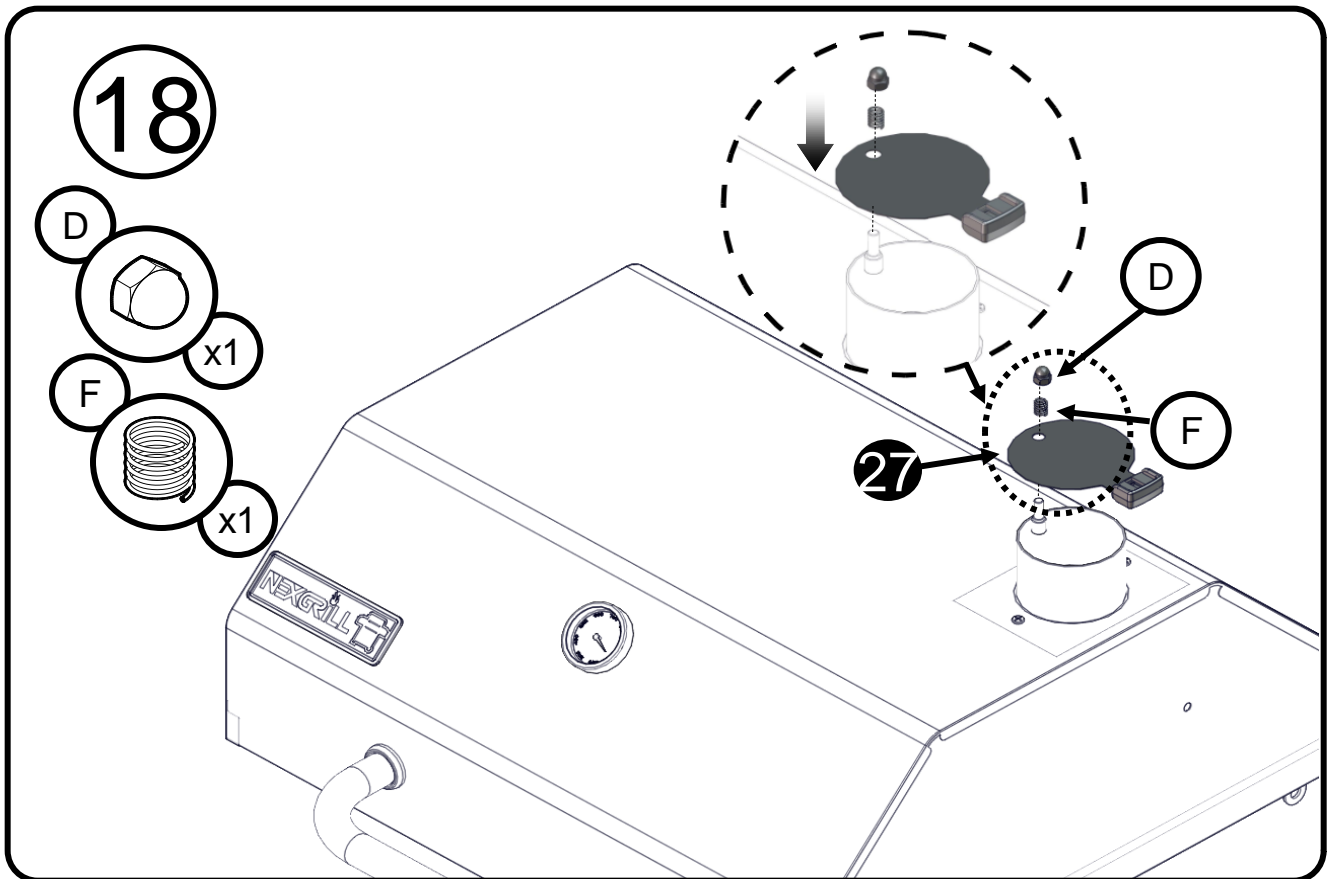
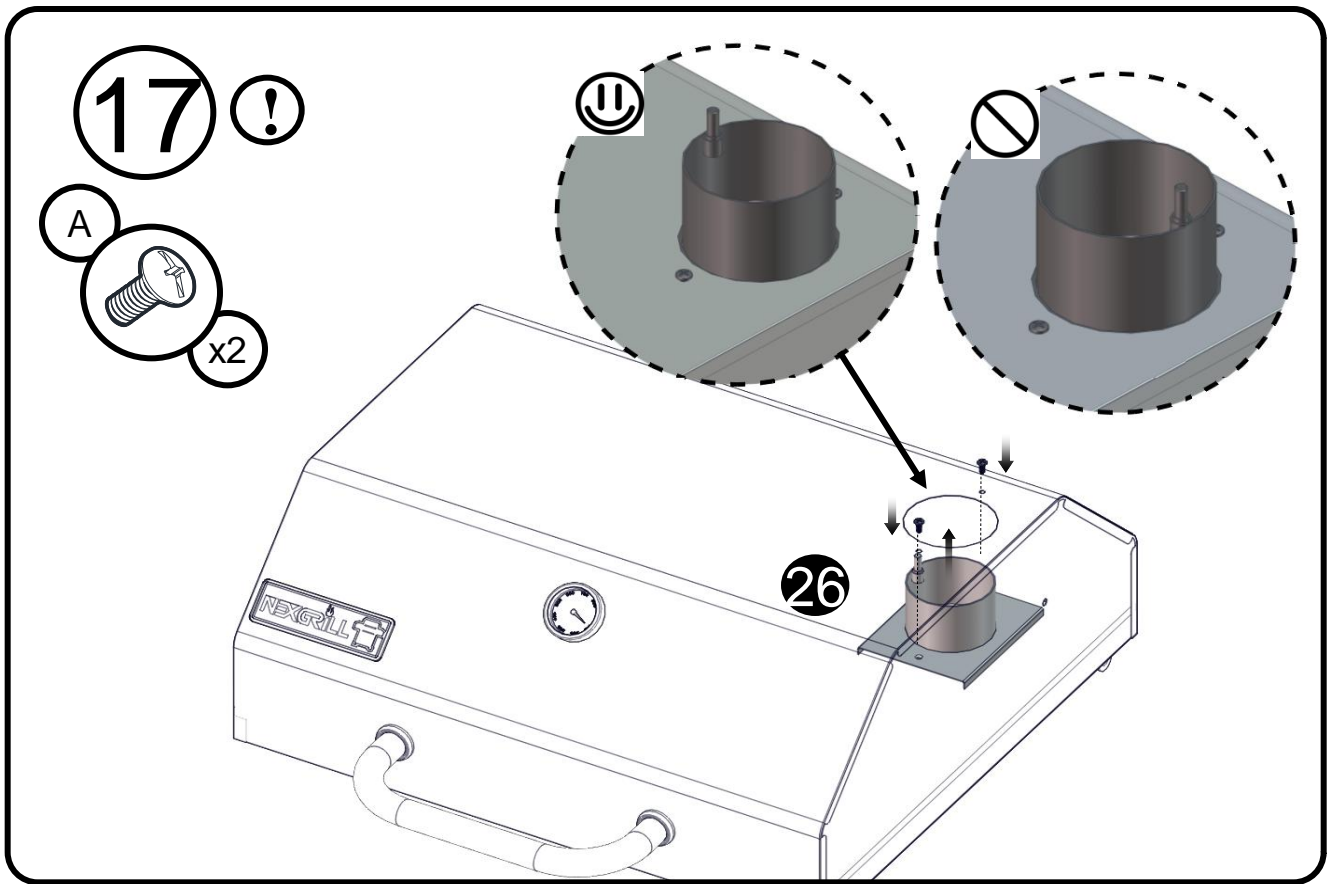


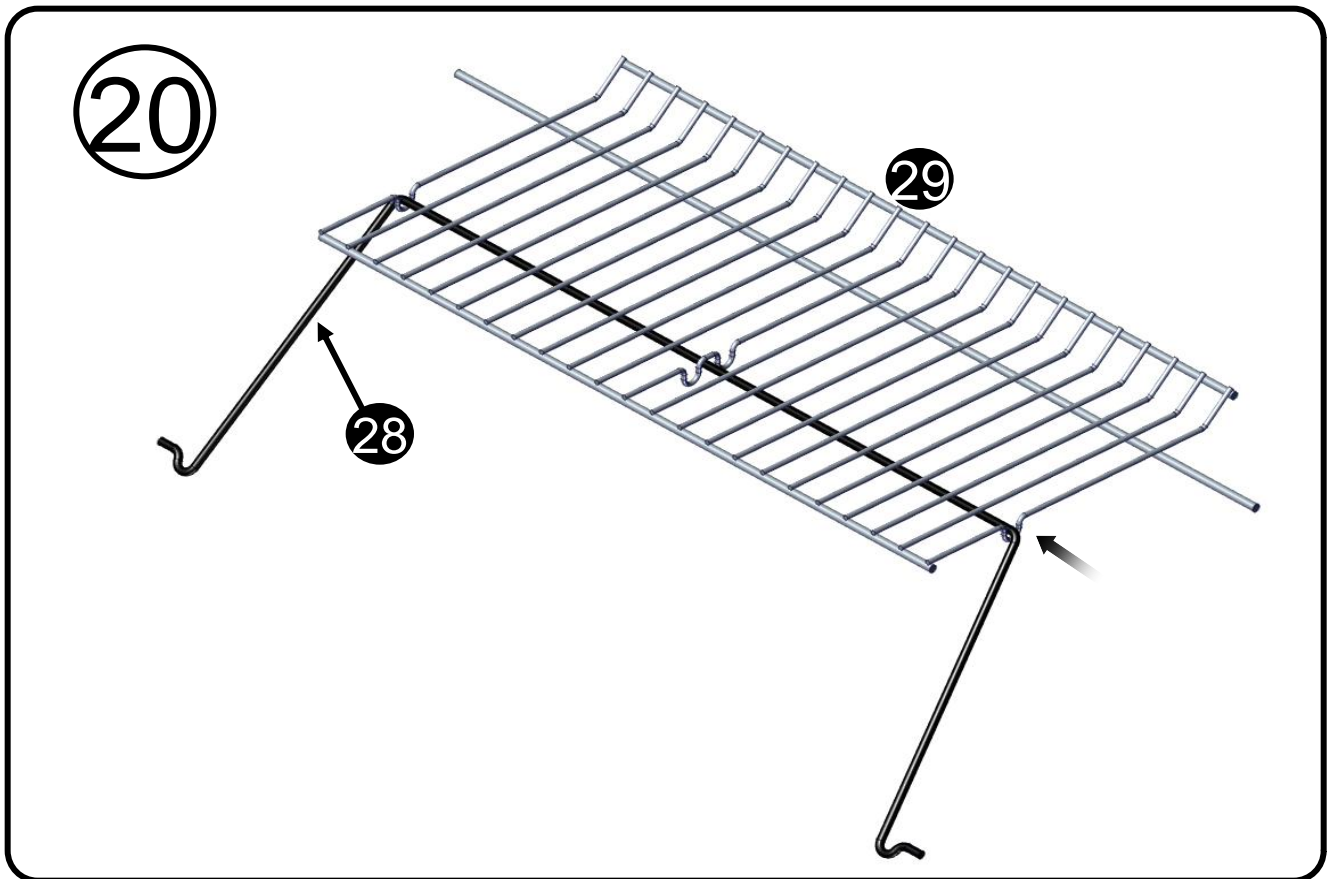
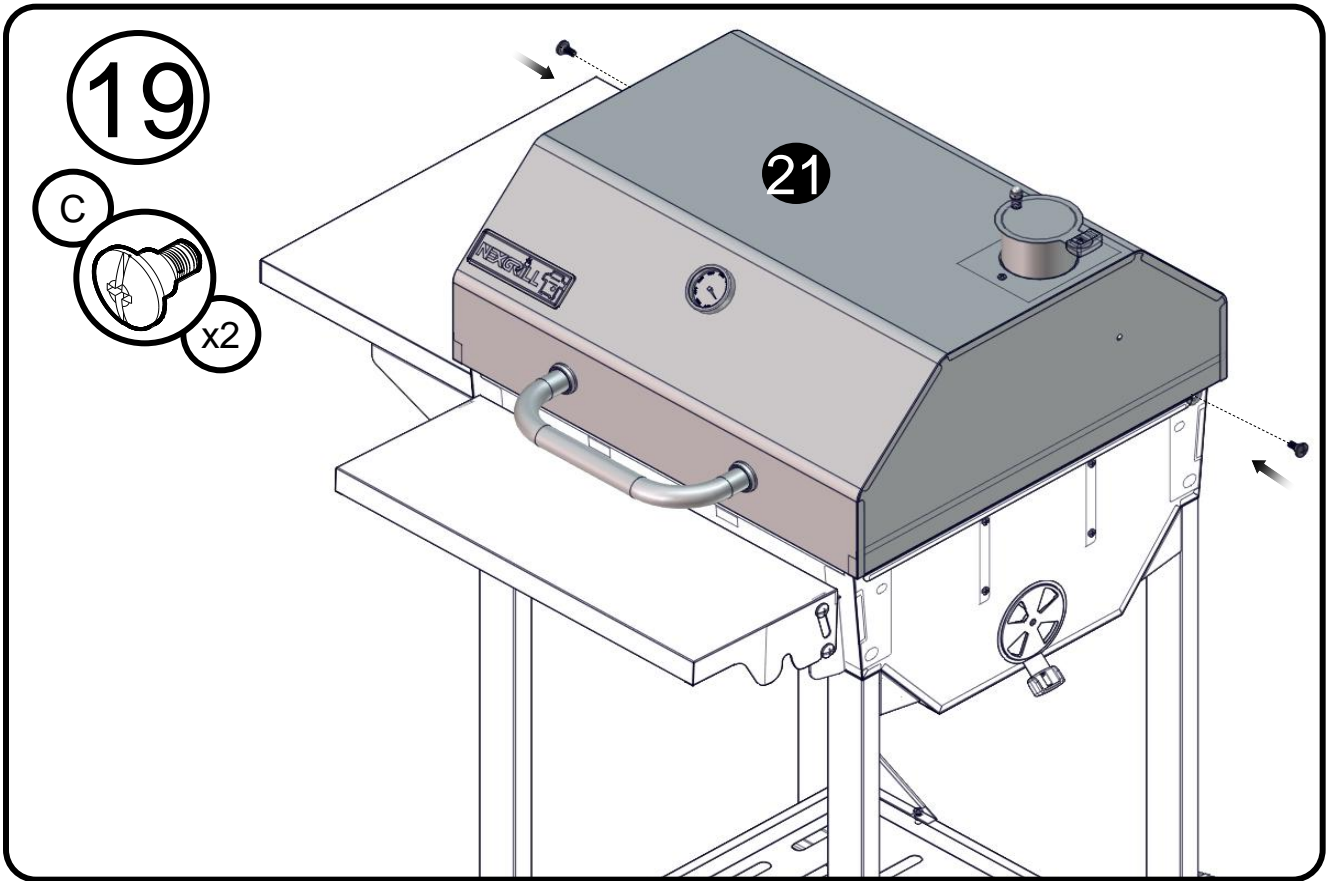
15



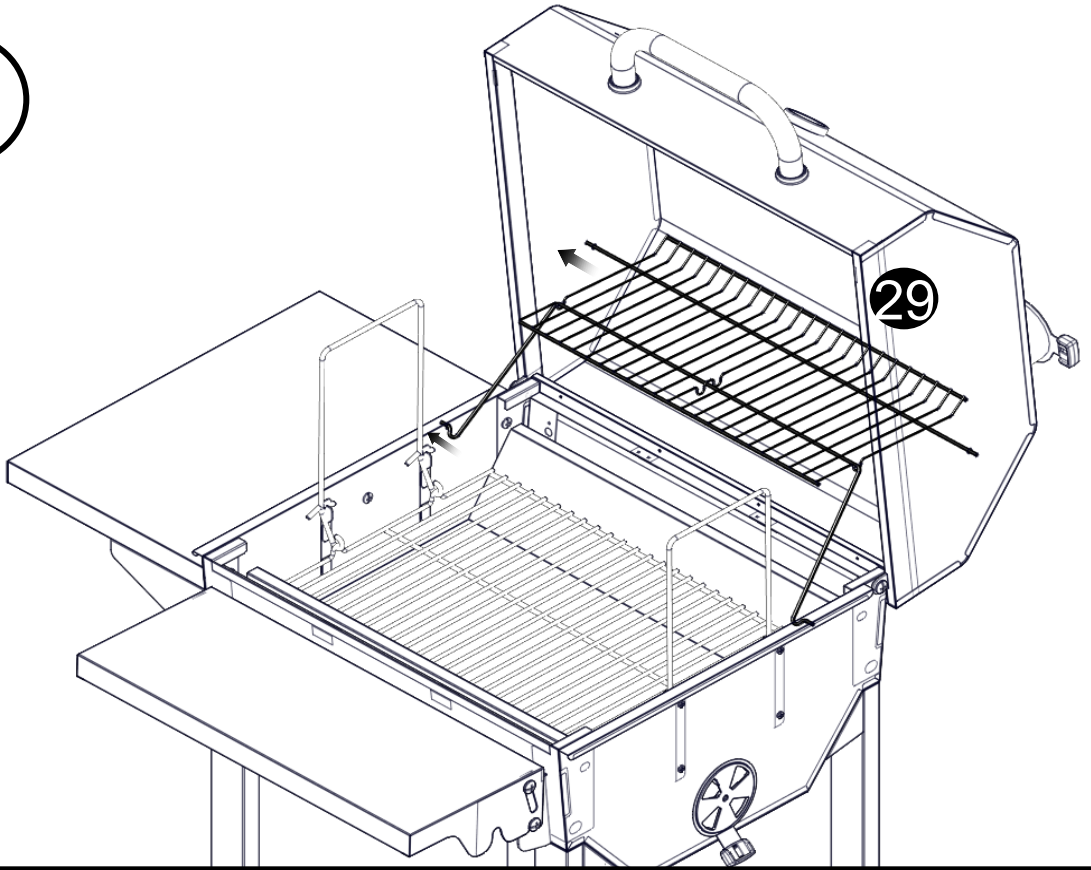
16



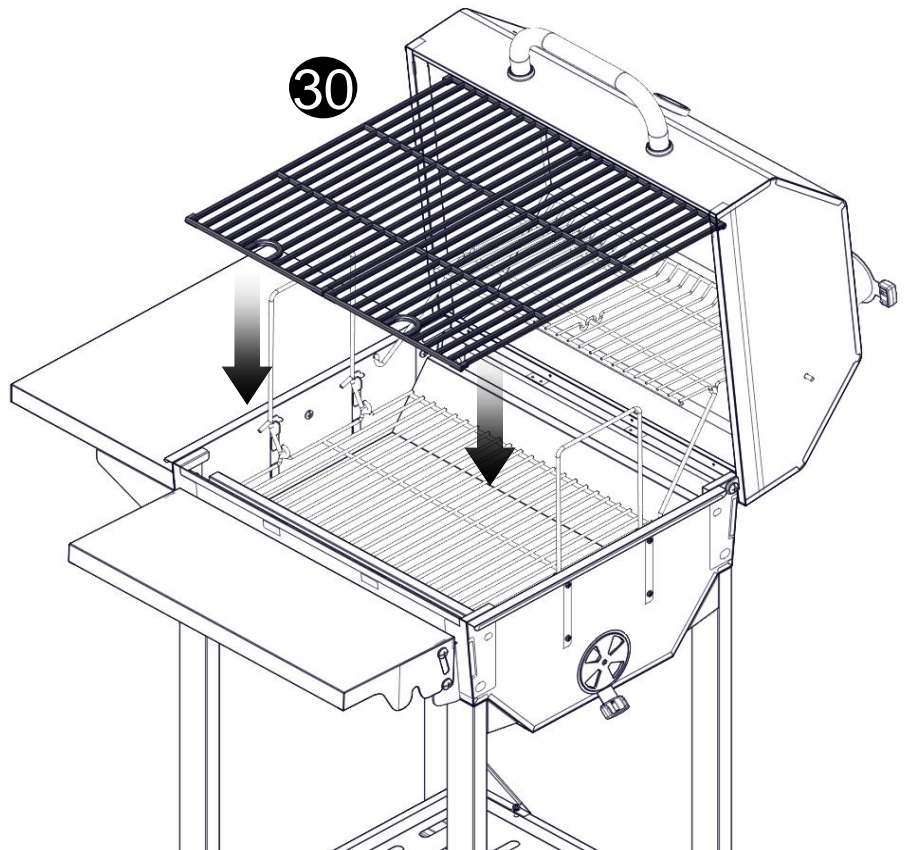




21



22



⚠ LEA CUIDADOSAMENTE TODAS LAS ADVERTENCIAS E INSTRUCCIONES DE SEGURIDAD ANTES DE OPERAR SU PARRILLA.

Instrucciones para el encendido del carbón:

1. Abra la tapa de la parrilla.
2. Levante el gancho de la bandeja para carbón para ajustarla en la posición intermedia.
3. Coloque briquetas de carbón de tamaño similar en la bandeja y haga una pila. No coloque más de 7 libras de carbón. Asegúrese de que el carbón no sobrepase la rejilla.
4. Encienda las briquetas de carbón.
5. Ajuste el gancho de la bandeja para carbón en la posición baja. Espere hasta que se apaguen las llamas del carbón.
6. Una vez que las briquetas se hayan convertido en brasas, gire la manivela para ajustar gancho de la bandeja para carbón a la posición de cocción deseada. a la posición de cocción deseada.

CÓMO AJUSTAR LA TEMPERATURA

Para controlar la temperatura de cocción, gire la abrazadera de ajuste de la ventilación de ventilación al frente del asador para abrir y cerrar la ventilación. Para elevar la temperatura, abra la ventilación. Para reducir la temperatura, cierre la ventilación.

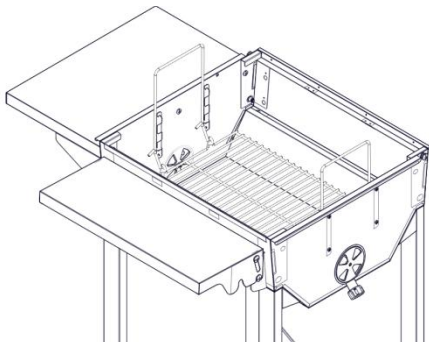
NOTA: La temperatura no debe exceder los 650° F (343° C). Puede controlar la temperatura con el indicador de temperatura que se encuentra en la tapa de la parrilla.

⚠ ADVERTENCIA

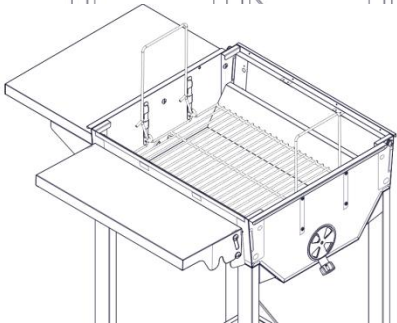
Siempre utilice mitones/guantes cuando ajuste los niveles de cocción para proteger sus manos de quemaduras.

⚠ ADVERTENCIA

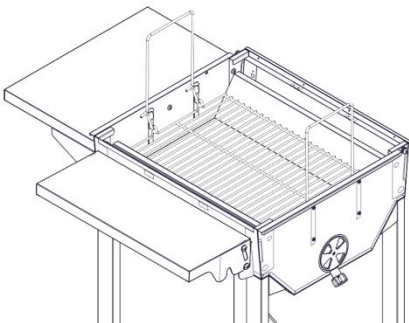
No utilice la parrilla sin el cajón de cenizas en su lugar. NO intente retirar la bandeja de cenizas mientras esta contiene carbón caliente.



Nivel bajo



Nivel medio



Nivel alto

Consejos para la utilización de la parrilla

Una vez que la parrilla se haya enfriado por completo, utilice un guante para retirar la rejilla de la parrilla a carbón y agregar carbón en la bandeja.

Funcionamiento del gancho de la bandeja para carbón

Con el gancho de la bandeja para carbón puede levantarse o bajarse en cualquier momento de la cocción para ajustar el calor que se desea. Si eleva la charola aumenta el calor directo. Si baja la charola se reduce el calor directo. Levante la bandeja una vez que la unidad se haya enfriado por completo para que así sea más fácil poner las cenizas en la bandeja para cenizas. No levante la bandeja más de la mitad cuando esté totalmente llena con carbón fresco.

Funcionamiento de la abrazadera de ajuste de la ventilación

Para ajustar la ventilación, gire la abrazadera de ajuste de la ventilación a la izquierda o a la derecha.

 **LEA CUIDADOSAMENTE TODAS LAS ADVERTENCIAS E INSTRUCCIONES DE SEGURIDAD ANTES DE OPERAR SU PARRILLA.**

Asado / Marcado

1. Siga cuidadosamente las instrucciones a continuación para encender el fuego. Usted puede utilizar carbón y/o madera como combustible en la Parrilla Profesional (Ver la sección "Añadir carbón/madera durante la cocción" de este manual).

ADVERTENCIA:

Nunca utilice carbón que haya sido pretratado con fluido para encendedores. Utilice sólo carbón de alto grado o una mezcla de carbón y madera.

Si está utilizando un iniciador de carbón en chimenea, siga todas las advertencias e instrucciones del fabricante en relación con el uso de su producto. Comience con 7 libras de carbón. Esta cantidad de carbón debe ser suficiente para cocinar, una vez se haya completado el proceso de curado. Jale el ventilador de aire frontal hacia la derecha, hasta la mitad. Cuando el carbón tenga una combustión fuerte, coloque cuidadosamente los carbonos calientes en el centro de la bandeja de carbón.

ADVERTENCIA:

NO utilice la parrilla sin el cajón de cenizas en su lugar. NO intente retirar la bandeja de cenizas mientras esta contiene carbón caliente.

NOTA: Para prolongar la duración de su parrilla, no permita que los carbonos y madera calientes toquen las paredes de la parrilla.

SI ESTÁ UTILIZANDO UN INICIADOR DE CARBÓN EN CHIMENEA, VAYA AL PASO 4

Si decide utilizar fluido para encender el carbón, utilice SOLO fluido para encender carbón aprobado para encender carbón. No utilice gasolina, kerosén, alcohol u otros materiales inflamables para encender carbón, Siga todas las advertencias e instrucciones del fabricante en relación con el uso de su producto. Comience con 7 libras de carbón. Coloque el carbón en el centro de la bandeja de carbón.

2. Sature el carbón con fluido para encendido. Espere 2 a 3 minutos para permitir que el fluido de encendido se embeba dentro del carbón. Almacene de forma segura el fluido para encender carbón lejos de la parrilla.

3. Con la tapa de la parrilla abierta, aléjese y encienda cuidadosamente el carbón y permita que se queme hasta alcanzar una apariencia de ceniza encendida (por cerca de 20 minutos).



ADVERTENCIA:

Debe permitirse que el fluido para encender carbón se queme completamente antes de cerrar la tapa de la parrilla (aproximadamente 20 minutos). Dejar de hacer esto podría atrapar vapores del fluido para encender carbón en la parrilla, lo que podría dar como resultado un flamazo o explosión cuando se abre la tapa.

4. Coloque la parrilla de cocción sobre los soportes para la parrilla. Utilice la bandeja de carbón al nivel de cocción deseado.



ADVERTENCIA:

Siempre utilice mitones/guantes cuando ajuste los niveles de cocción para proteger sus manos de quemaduras.

5. Coloque los alimentos en la parrilla y cierre la tapa de la parrilla. Cerrar más la ventilación de aire frontal, disminuye la intensidad de quemado. Utilice siempre un termómetro de carne para asegurarse de que la comida esté totalmente cocida antes de retirarla de la parrilla.

6. Siempre permita que la parrilla se enfríe completamente y siga luego las instrucciones en la sección "Seguridad después del uso" y "Cuidado y mantenimiento apropiados" de este manual.

Regulación del calor

Para aumentar el calor, puede ser necesario añadir más carbón, o hacer un ajuste en la altura del carbón. Siga las instrucciones en la sección "Añadir carbón durante la cocción" de este manual. Para mantener la temperatura, puede ser necesario añadir más carbón, o hacer un ajuste de la altura del carbón durante el ciclo de cocción.

Cómo colocar las briquetas de carbón/madera mientras cocina

Es posible que necesite más briquetas de carbón/madera para mantener o aumentar la temperatura de cocción.

1. Aléjese y abra cuidadosamente la tapa de la parrilla. Tenga cuidado, ya que las llamas pueden aumentar de tamaño cuando el aire fresco entra súbitamente en contacto con el fuego.



ADVERTENCIA:

Utilice guantes protectores o guantes para horno al ajustar la altura de la parrilla de cocción o la bandeja de carbón.

2. Utilice mitones/guantes para horno y utilice la manivela para ajustar la charola de carbón en la posición baja. Retire los alimentos de la parrilla, después retire la parrilla en sí.

3. Retírese a una distancia segura y utilice pinzas de cocción largas para retirar con cuidado la ceniza de los carbones calientes. Utilice pinzas de cocción para añadir carbón y/o madera a la bandeja de carbón, teniendo cuidado de no hacer saltar cenizas y chispas. Si es necesario, utilice su iniciador de carbón en chimenea para encender carbón y/o madera adicional y añadirlo al fuego existente.



ADVERTENCIA:

Nunca añada fluido para encender carbón a carbones calientes o tibios, ya que podría ocurrir un flamazo que causaría quemaduras severas.

4. Cuando el carbón se esté quemando fuertemente de nuevo, utilice mitones o guantes para horno y vuelva a colocar cuidadosamente la bandeja de carbón en el nivel de cocción deseado.

5. Cierre la tapa y la puerta de la parrilla. Deje que los alimentos se sigan asando.

Seguridad después del uso



ADVERTENCIA:

- ◆ Siempre permita que la parrilla y todos sus componentes se enfríen completamente antes de manipularlos.
- ◆ Nunca deje carbones ni cenizas en la parrilla sin atención. Asegúrese de que el carbón y las cenizas se han extinguido completamente antes de retirarlos.
- ◆ Antes de dejar la parrilla sin atención, deben removerse de la parrilla los carbones y cenizas restantes. Tenga cuidado de protegerse a sí mismo y a la propiedad. Coloque los carbones y cenizas restantes en un contenedor metálico no combustible y satúrelos completamente con agua. Permita que los carbones y el agua permanezcan en el contenedor metálico por 24 horas antes de desecharlos.
- ◆ Los carbones y cenizas extinguidos deben colocarse a una distancia segura de todas las estructuras y materiales combustibles.
- ◆ Con una manguera de jardín moje completamente la superficie por debajo y alrededor de la parrilla para extinguir cualquier ceniza, carbón o brasa que pudiere haber caído durante la cocción, o durante el proceso de limpieza.
- ◆ Cubra y almacene la parrilla en un área protegida, lejos de niños y mascotas.

- ◆ Para proteger su parrilla de la oxidación excesiva, la unidad debe limpiarse adecuadamente y cubrirse en todo momento cuando no está en uso.
- ◆ Lave la parrilla de cocción y la bandeja de carbón con agua caliente, jabonosa, enjuague bien y seque.
- ◆ Limpie el interior y el exterior de la parrilla, limpiándola con un trapo húmedo. Aplique una capa ligera de aceite vegetal o atomice aceite vegetal en la superficie interior para evitar la oxidación. No cubra la bandeja de carbón ni la bandeja para la ceniza.
- ◆ Si aparece óxido en la superficie exterior de su parrilla, limpie y frote el área afectada con lana de acero o con papel de lija fina y retoque con pintura resistente a altas temperaturas de buena calidad.
- ◆ Nunca aplique pintura a la superficie interior. Los puntos de óxido en la superficie interior pueden frotarse, limpiarse y cubrirse ligeramente con aceite vegetal o con aceite vegetal en aerosol para minimizar la oxidación.

Ordenar repuestos

CÓMO SOLICITAR PIEZAS DE REPUESTO

Para asegurarse de que recibe el / los repuesto(s) adecuado(s) para su parrilla a gas, consulte la lista de partes en las páginas **35-36**. Es necesaria la siguiente información para asegurarse que obtenga el repuesto correcto. Tenga en cuenta que el costo de envío para la entrega de piezas de repuesto corre por su cuenta.

- Número de modelo de las parrillas a gas (ver la etiqueta de información en la parrilla).
- Es necesario saber el número de repuesto de la pieza solicitada.
- Es necesario hacer una descripción del repuesto que se necesita.
- Cantidad de partes que necesita.

Para obtener piezas de repuesto, comuníquese con la línea del **Servicio de Atención al Cliente Estados Unidos: 1-800-913-8999**.

IMPORTANTE

Sólo utilice repuestos autorizados de fábrica. Puede ser peligroso que utilice repuestos no autorizados de fábrica. Esto también dejará sin validez su garantía.

Conserve este manual de armado e instrucciones de uso para consultas futuras y para ordenar repuestos.

Nexgrill garantiza al consumidor/comprador original sólo que este producto (*Modelo N° 810-0025* no debe tener defectos de fábrica ni de materiales luego de su correcto armado y bajo un uso doméstico normal y razonable durante el período indicado a continuación y a partir de la fecha de compra. El fabricante se reserva el derecho a solicitar pruebas fotográficas del daño, o la devolución de las partes defectuosas, para llevar a cabo una revisión y examen. El consumidor deberá enfrentar los gastos de envío y/o flete.

Todas las partes: 1 años de garantía LIMITADA

* No cubre raspados, rayones, corrosión en la superficie agrietada, u óxido

Luego de que el cliente presente pruebas de la compra, tal como se lo establece en la presente, el Fabricante reparará o reemplazará las partes que presenten defectos durante el período de garantía aplicable. No debe cobrarse al cliente por las partes solicitadas para realizar la reparación o el cambio excepto los gastos de envío en tanto el comprador se encuentre dentro del período de garantía a partir de la fecha original de compra. El consumidor/comprador original se hará cargo de todos los gastos de envío de las partes reemplazadas según los términos de la presente garantía limitada. La presente garantía limitada sólo es aplicable dentro de los Estados Unidos de América, sólo está disponible para el dueño original del producto y *no es transferible*. El fabricante solicitará prueba razonable de su fecha de compra. Por lo tanto, debe conservar su recibo de compra y/o factura. En caso de que le hayan regalado esta unidad, solicítele a quien se la regaló que envíe la factura por usted a la dirección que aparece a continuación. Las partes defectuosas o faltantes a esta garantía limitada no serán reemplazadas sin la debida inscripción o prueba de compra. Esta garantía limitada sólo es aplicable al funcionamiento del producto y no cubre cuestiones estéticas tales como rayones, bollos, corrosión o decoloración por calor, limpiadores abrasivos y químicos o cualquier otra herramienta utilizada para armar o instalar la unidad, óxido en la superficie, o decoloración en las superficies de acero inoxidable. El óxido en la superficie, la corrosión, o el raspado de la pintura sobre las partes de metal no afectan la integridad de la estructura de este producto y por lo tanto, no se consideran como defectos de fábrica o de materiales y no están cubiertos por esta garantía. Esta garantía limitada no le reembolsará los costos de ningún inconveniente, alimento, lesión personal o daño a la propiedad. En caso de no estar disponible un repuesto original, se le enviará uno similar. Usted será responsable de todos los gastos de envío de las partes reemplazadas según los términos de la presente garantía limitada.

ARTÍCULOS POR LOS CUALES NO PAGARÁ EL FABRICANTE:

Llamadas de servicio a su hogar

Reparaciones cuando utilice el producto con otra finalidad que no sea el uso normal en casas de familia o residencias.

Daños que resulten de accidentes, alteraciones, mal uso, falta de mantenimiento / limpieza, abuso, incendio, inundaciones, casos fortuitos, instalación incorrecta, e instalación que no cumple con los códigos de electricidad o plomería o el uso de productos no autorizados por el fabricante.

Cualquier pérdida de alimentos ocasionada por fallas en los productos.

Repuestos o costos de reparación de unidades que se utilizan fuera de los Estados Unidos de América o de Canadá.

Recogido y entrega del producto.

Facturas de envío o facturas de revelado de fotos por las fotos que se enviaron como prueba.

Reparaciones de partes o sistemas que surgieran como consecuencia de la realización de modificaciones no autorizadas al producto.

Extracción y/o reinstalación del producto.

Costo de envío, estándar o urgente, de la garantía/no-garantía y repuestos.

RENUNCIA A LAS GARANTÍAS IMPLÍCITAS: LIMITACIÓN DE ACCIONES Y RECURSOS LEGALES

La reparación o el cambio de partes defectuosas es la única acción legal que puede ejercer según los términos de la presente garantía limitada. El Fabricante no se responsabilizará de ningún daño consecuente o incidental que surja del incumplimiento ya sea de esta garantía limitada o de cualquier garantía aplicable implícita, o de ninguna falla o daño que surjan como consecuencia de hechos fortuitos, cuidado y mantenimiento indebidos, incendio provocado por grasa, accidente, alteración, cambio de partes que realice otra persona que no sea el Fabricante, mal uso, transporte, uso comercial, abuso, ambientes hostiles (clima inlcemente, actos de la naturaleza, manipulación de animales), instalación indebida o instalación que no cumpla con los códigos locales o con las instrucciones impresas del fabricante.

ESTA GARANTÍA LIMITADA ES LA ÚNICA GARANTÍA EXPRESA QUE OTORGA EL FABRICANTE. EL FABRICANTE NO GARANTIZA NINGUNA ESPECIFICACIÓN DE USO O DESCRIPCIÓN DONDE SEA QUE APAREZCAN, EXCEPTO HASTA EL PUNTO INDICADO EN LA PRESENTE GARANTÍA LIMITADA. CUALQUIER PROTECCIÓN IMPLÍCITA DE LA GARANTÍA QUE SURJA DE LAS LEYES DE CUALQUIER ESTADO, INCLUYENDO LA GARANTÍA IMPLÍCITA DE COMERCIALIZACIÓN O ADECUACIÓN PARA UN DETERMINADO USO O PROPÓSITO, TENDRÁ LA MISMA DURACIÓN LIMITADA QUE LA PRESENTE GARANTÍA LIMITADA.

Ningún proveedor ni el establecimiento de venta que comercialice este producto tiene derecho a ofrecer garantías adicionales o a prometer otras acciones legales posibles además de o contrarias a las establecidas con anterioridad. La responsabilidad máxima del fabricante, en cualquier caso, no debe superar el precio de compra documentado del producto que abonó el consumidor original. Esta garantía solo es aplicable a la unidades adquiridas en un minorista o en un mercado de reventa. **NOTA:** Algunos estados no permiten la exclusión o limitación de daños incidentales o consecuentes. Por lo tanto, algunas de las limitaciones y exclusiones antes mencionadas pueden no ser aplicables a su caso en particular. La presente garantía limitada le otorga derechos legales específicos tal como aquí se estipula. También puede gozar de otros derechos que varían en los diversos estados.

En caso de que quiera que se cumpla con cualquiera de las obligaciones estipuladas en la presente garantía limitada, escriba a:

Atención al cliente de Nexgrill

14050 Laurelwood PI

Chino, CA 91710

Puede solicitar devoluciones, ordenar repuestos, realizar preguntas generales y obtener ayuda sobre localización y resolución de problemas

comunicándose al U.S.A: 1-800-913-8999

Mesures de sécurité	53	Consignes pour l'assemblage	73
Contenu du paquet de quincaillerie	55	Consignes d'allumage.	73
Liste des pièces de l'emballage.	57	Consignes d'opération et de cuisson	74
Vue éclatée	60	Nettoyage et entretien appropriés	75
Liste des pièces	61	Commande de pièces	76
		Garantie limitée	77

Mesures de sécurité

⚠ ATTENTION : Ce gril chauffe beaucoup pendant son utilisation. Ne pas le déplacer pendant qu'il fonctionne.

Ne pas utiliser à l'intérieur.

⚠ MISE EN GARDE : Ne pas utiliser d'alcool, d'essence ni de liquides semblables pour allumer ou réallumer le gril.

AVERTISSEMENT : Garder loins des enfants et des animaux

⚠ AVERTISSEMENT

Ne pas brûler plus de 3.2 kg (7 lb) de charbon dans cette unité en une seule fois. Toujours avoir un extincteur à disposition dans les environs. Ce gril doit être utilisé à l'extérieur uniquement dans des zones bien ventilées. Un utilisateur en état d'ébriété, drogué ou prenant des médicaments sous ordonnance n'est pas en mesure d'assembler l'unité correctement et en toute sécurité. Prendre toutes les précautions nécessaires lors du soulèvement et déplacement de l'unité pour ne pas se heurter le dos ou souffrir de douleurs dorsales. Il est recommandé que deux personnes soulèvent et déplacent l'unité. Ne pas déplacer l'unité pendant qu'elle est en marche. NE PAS faire fonctionner l'unité près ou sous des matériaux inflammables ou combustibles, tels que plates-formes, porches, abris à voitures. Une distance minimum de 92cm (36 po.) et recommandée loin des matériaux combustibles. NE PAS utiliser l'unité sous des constructions recouvertes.

Avertissements de la proposition 65 de l'État de Californie :

AVERTISSEMENT : Ce produit contient au moins un produit chimique connu par l'État de Californie pour être à l'origine de cancers.

AVERTISSEMENT : Ce produit contient au moins un produit chimique connu par l'État de Californie pour être à l'origine de malformations et autres déficiences de naissance.

Dans l'État du Massachusetts, les instructions d'installation suivantes sont applicables :

- Les travaux d'installation et réparation doivent être exécutés par un plombier ou tuyauteur qualifié ou licencié, ou par le personnel qualifié d'une entreprise licenciée par l'État du Massachusetts.
- Si une vanne à boisseau sphérique est utilisée, elle doit comporter une manette "T".
- Si un conduit de raccordement flexible est utilisé, sa longueur ne doit pas dépasser 3 pi.

⚠ AVERTISSEMENT

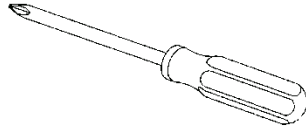
- Ce produit ne doit pas être utilisé en guise d'élément chauffant. Utiliser l'unité sur une surface inflammable, à niveau, stable, telle qu'asphalte, béton ou sol ferme. **NE PAS** utiliser l'unité sur un matériau inflammable, tel qu'une moquette ou une plate-forme en bois.
 - Prendre toutes les précautions nécessaires lors de l'assemblage et de l'utilisation de cette unité pour ne pas se couper et s'égratigner sur les bords. **NE PAS** utiliser ce produit de toute autre manière que l'objectif pour lequel il a été conçu. Ce produit **N'EST PAS** destiné à un usage commercial. Il ne doit pas être installé ni utilisé dans ou sur un véhicule récréatif ou des bateaux.
 - **NE PAS** stocker cette unité près d'essence ou autres combustibles liquides ni près de vapeurs combustibles. **NE PAS** stocker ni utiliser ce produit dans une zone accessible aux enfants ou animaux domestiques. Stockez cette unité dans un endroit sec et protégé.
 - **NE PAS** laisser l'unité sans surveillance pendant son utilisation. Ne pas laisser de cendres chaudes sans surveillance tant que le gril n'a pas totalement refroidi. **NE PAS** déplacer l'unité pendant son utilisation ou pendant que les cendres sont encore chaudes. Attendre que l'unité ait refroidi complètement avant de la déplacer ou de la ranger.
 - **NE JAMAIS** utiliser d'essence ni d'autres fluides très volatiles pour l'allumage.
 - Toujours attendre que les flammes du charbon se soient calmées avant de placer la nourriture sur la grille de cuisson.
- Pour jeter les cendres froides, les envelopper dans une feuille en aluminium et la placer dans un conteneur non combustible. S'assurer qu'il n'y a pas d'autres matériaux combustibles dans ou près du conteneur.
- Attendre que l'unité ait refroidi complètement avant toute opération régulière de nettoyage ou de maintenance.

⚠ La non-conformité aux présentes consignes peut déclencher un incendie ou une explosion qui sont susceptibles d'entraîner des lésions corporelles graves voire la mort ou des dommages matériels.

⚠ La combustion de produits émis lors de l'emploi de cet article contient des produits chimiques que l'État de la Californie reconnaît comme susceptibles de provoquer le cancer, des déficiences congénitales ou d'autres dangers pour la reproduction.

⚠ Votre gril deviendra très chaud. Ne vous penchez jamais au-dessus de l'aire de cuisson pendant l'utilisation de votre gril. Ne touchez pas aux surfaces de cuisson, au boîtier du gril, au couvercle ou à toute autre pièce pendant l'utilisation du gril et tant qu'il n'a pas refroidi après l'usage.0

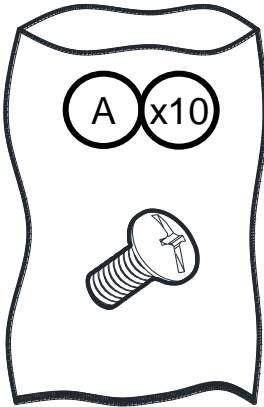
Outillage Requis



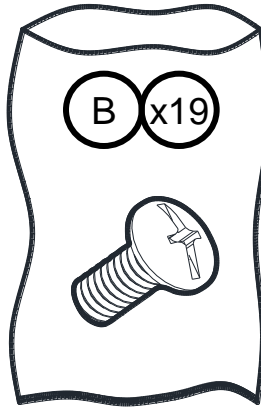
Certaines pièces sont livrées avec les vis pré-installées.
Desserrez et resserrez pour l'assemblage final.

Hardware package list

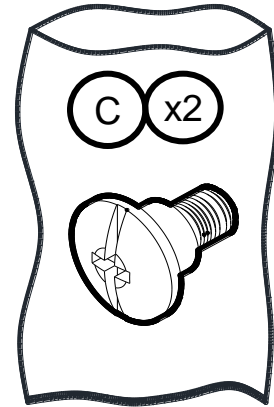
Vis à tête bombée avec
rondelle de blocage 5/32"
*6mm



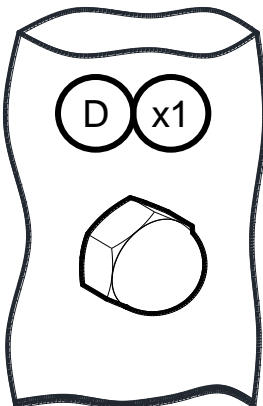
Vis à tête bombée avec
rondelle de blocage 1/4"
*15mm



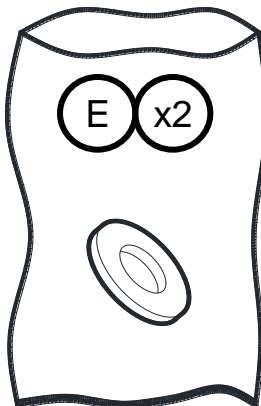
Vis à niveau A
1/4"



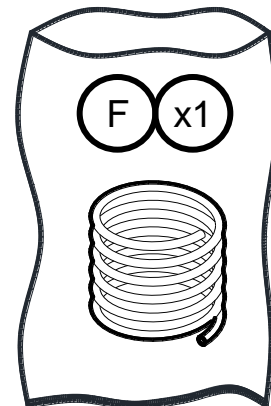
Écrou A 1/4 po



Rondelle plate
M8

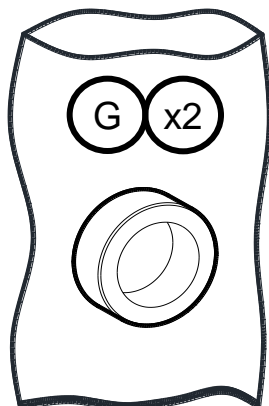


Ressort du couvercle
pour cheminée

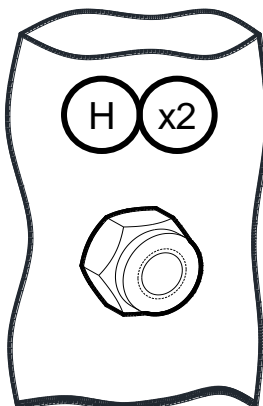


Liste des vis de l'emballage

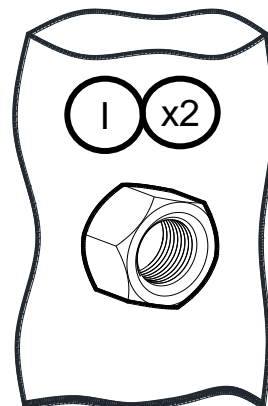
Cache de l'axe de
roue



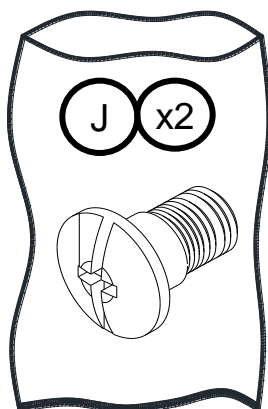
Écrou
d'amortissement
5/16 po



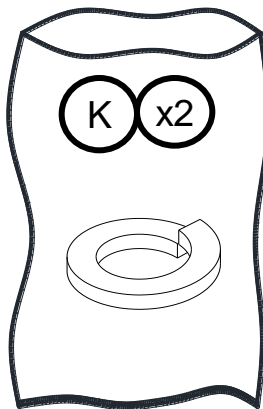
Écrou B
1/4 po



Vis à niveau B
1/4"

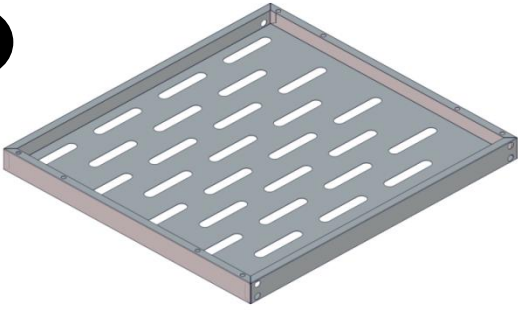


Printemps
rondelle M8

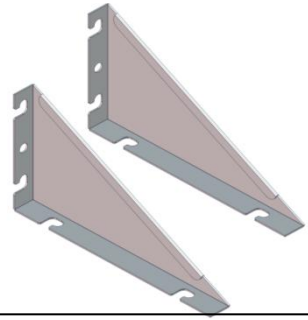


Liste des pièces de l'emballage

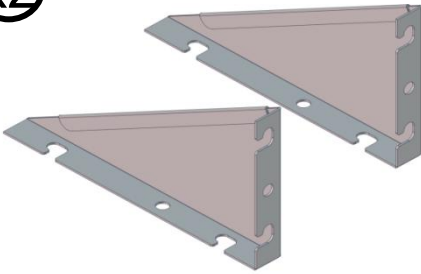
1



2 (x2)



3 (x2)



4



5



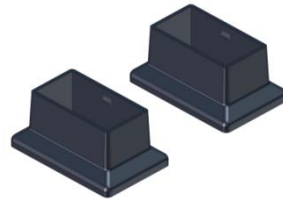
6



7



8 (x2)



9 (x2)

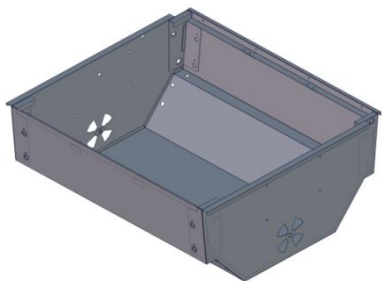


10



Liste des pièces de l'emballage

11



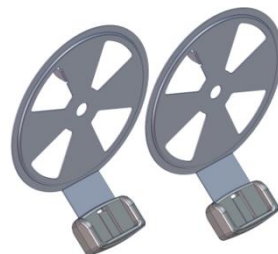
12 (x2)



13 (x2)



14 (x2)



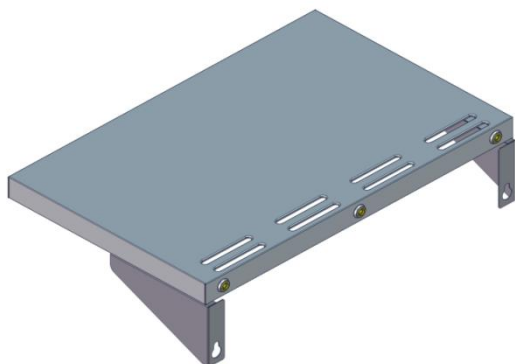
15



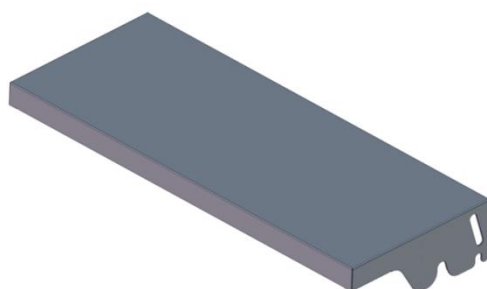
16



17



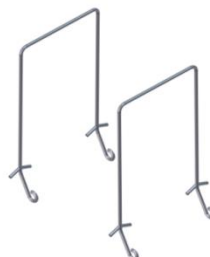
18



19

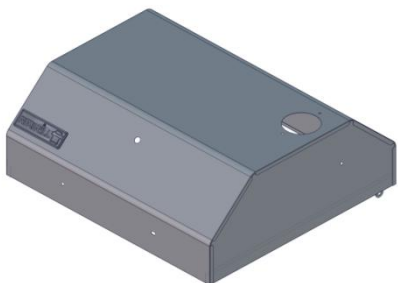


20 (x2)



Liste des pièces de l'emballage

21



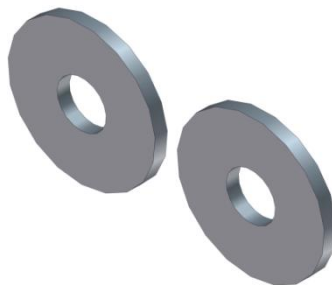
22 (x2)



23



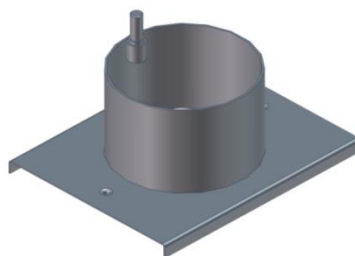
24 (x2)



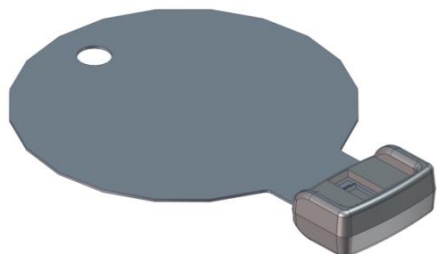
25



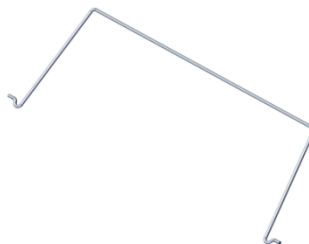
26



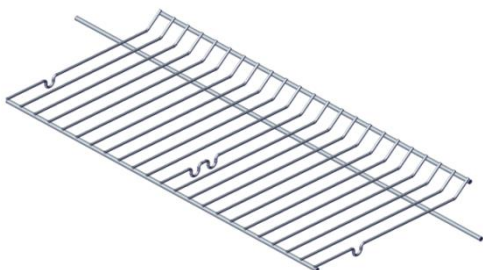
27



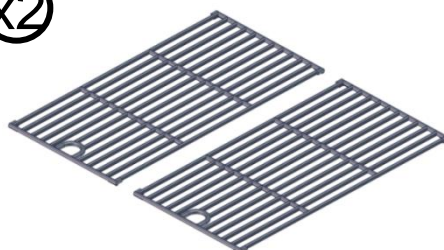
28

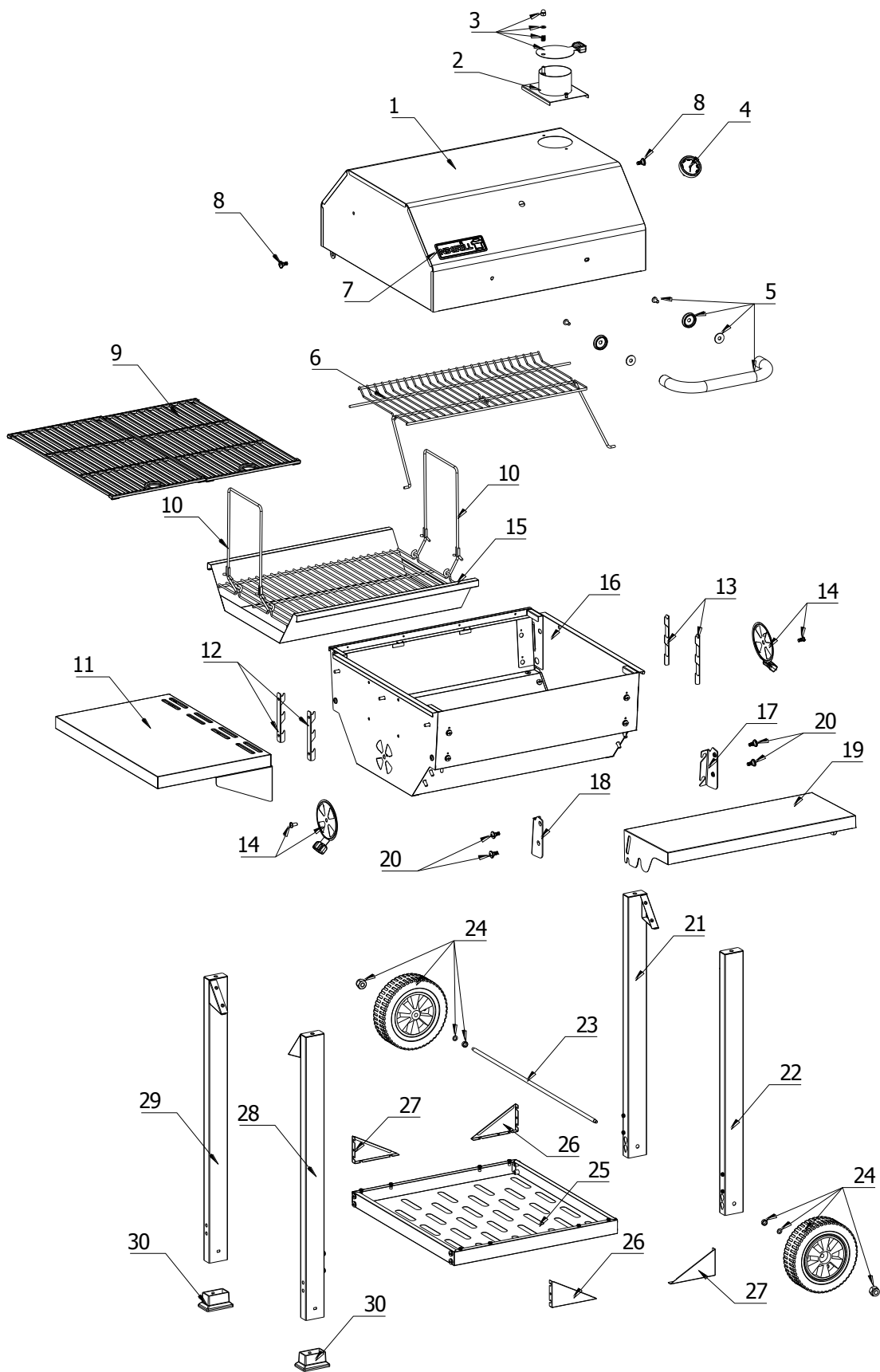


29



30 (x2)

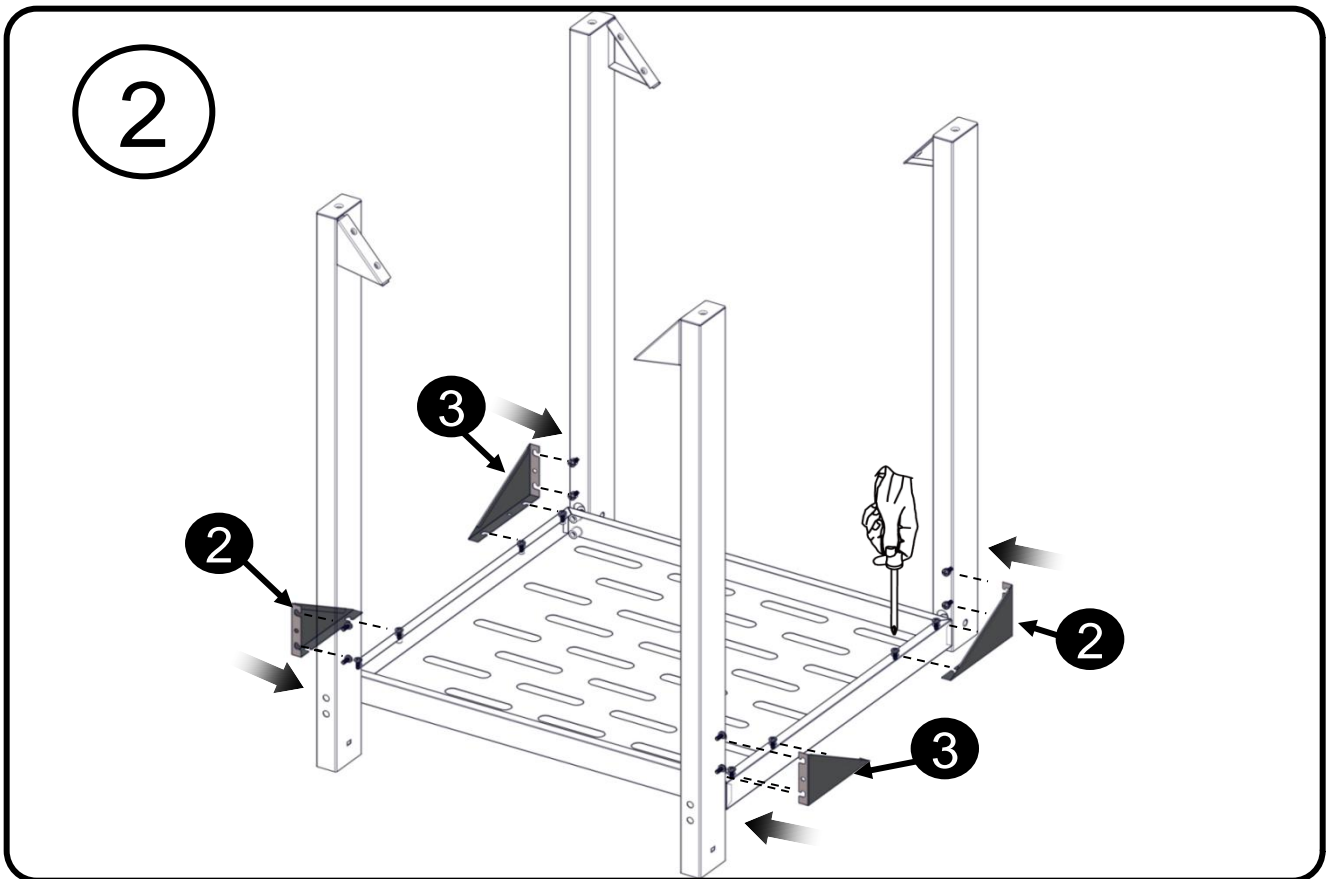
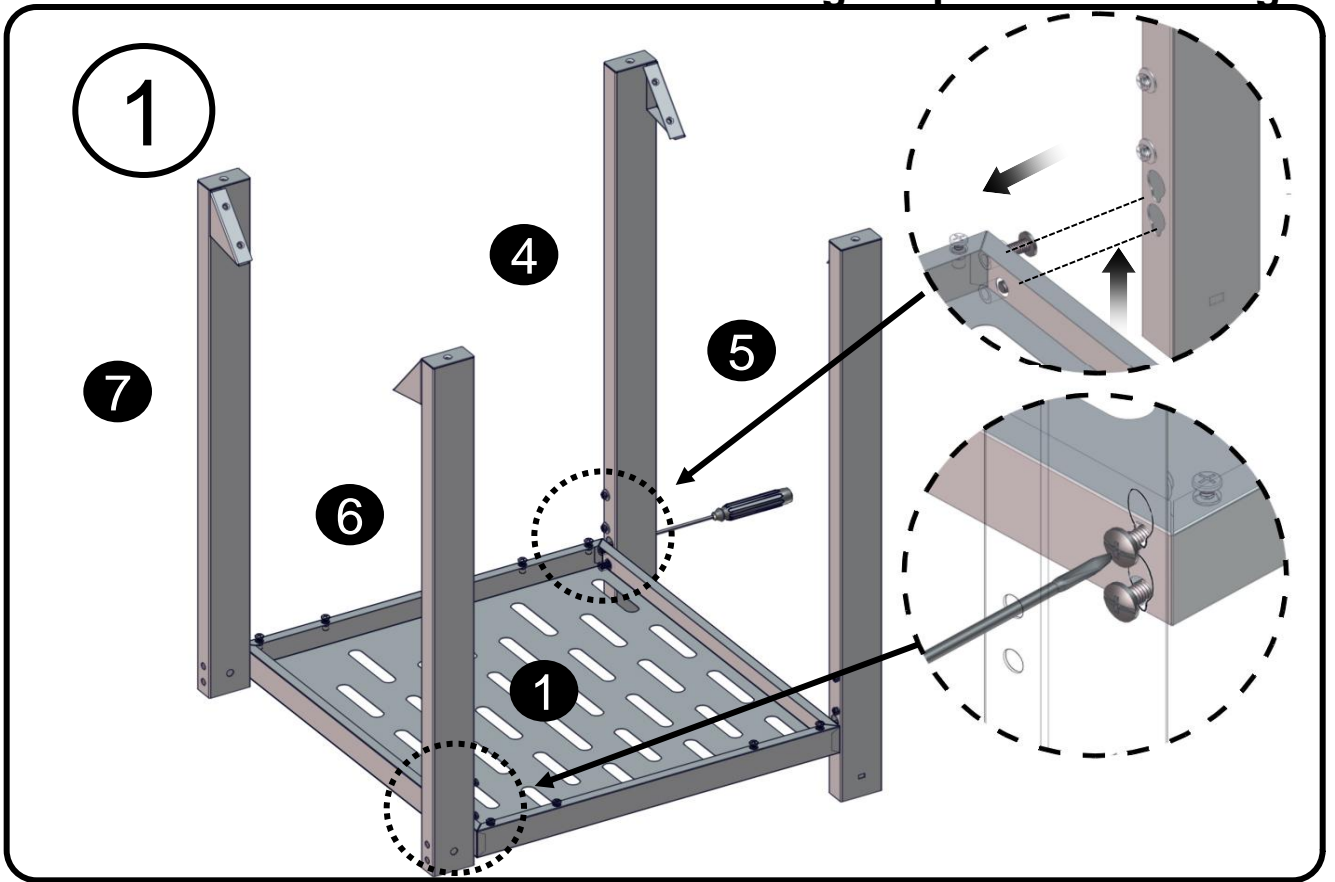


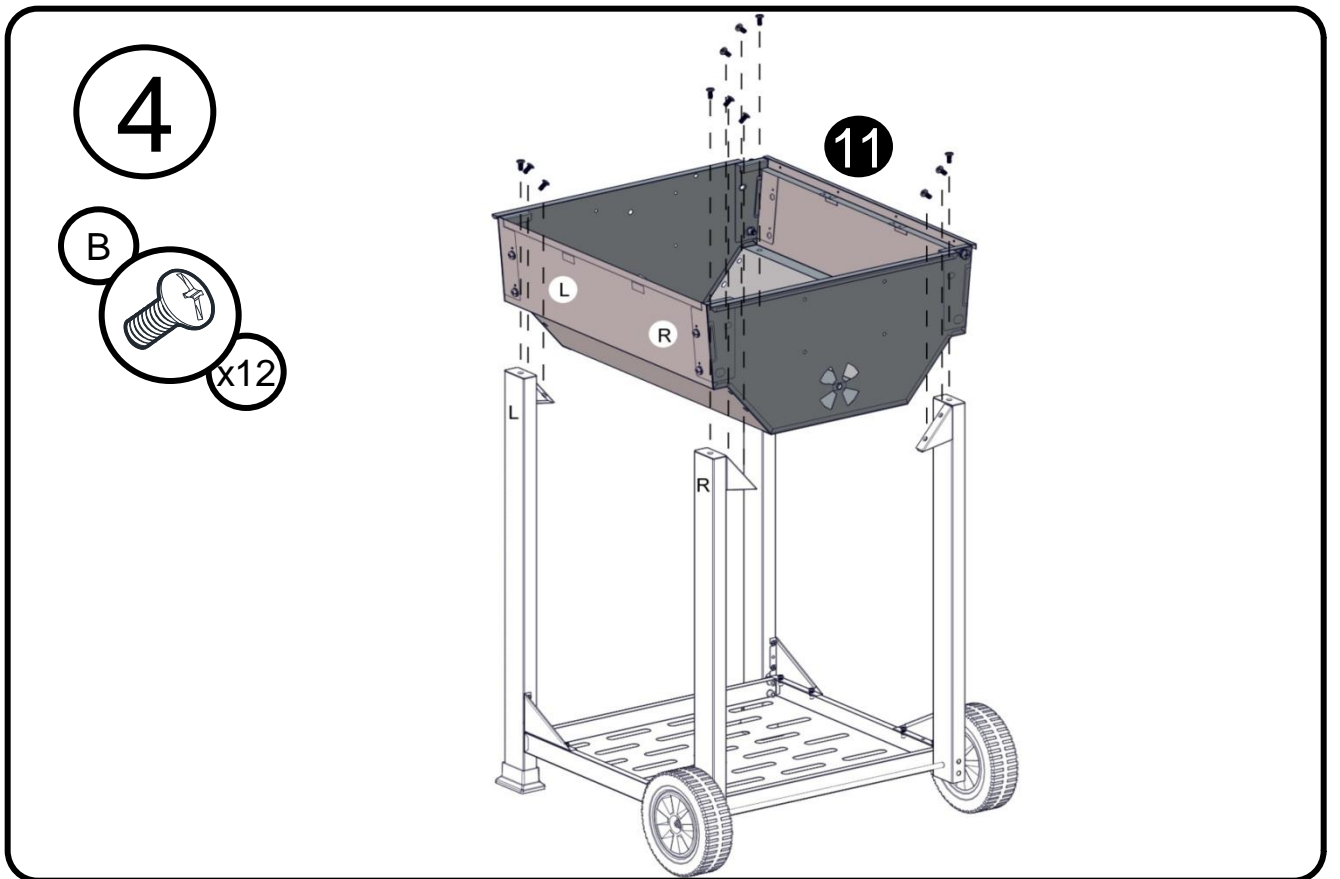
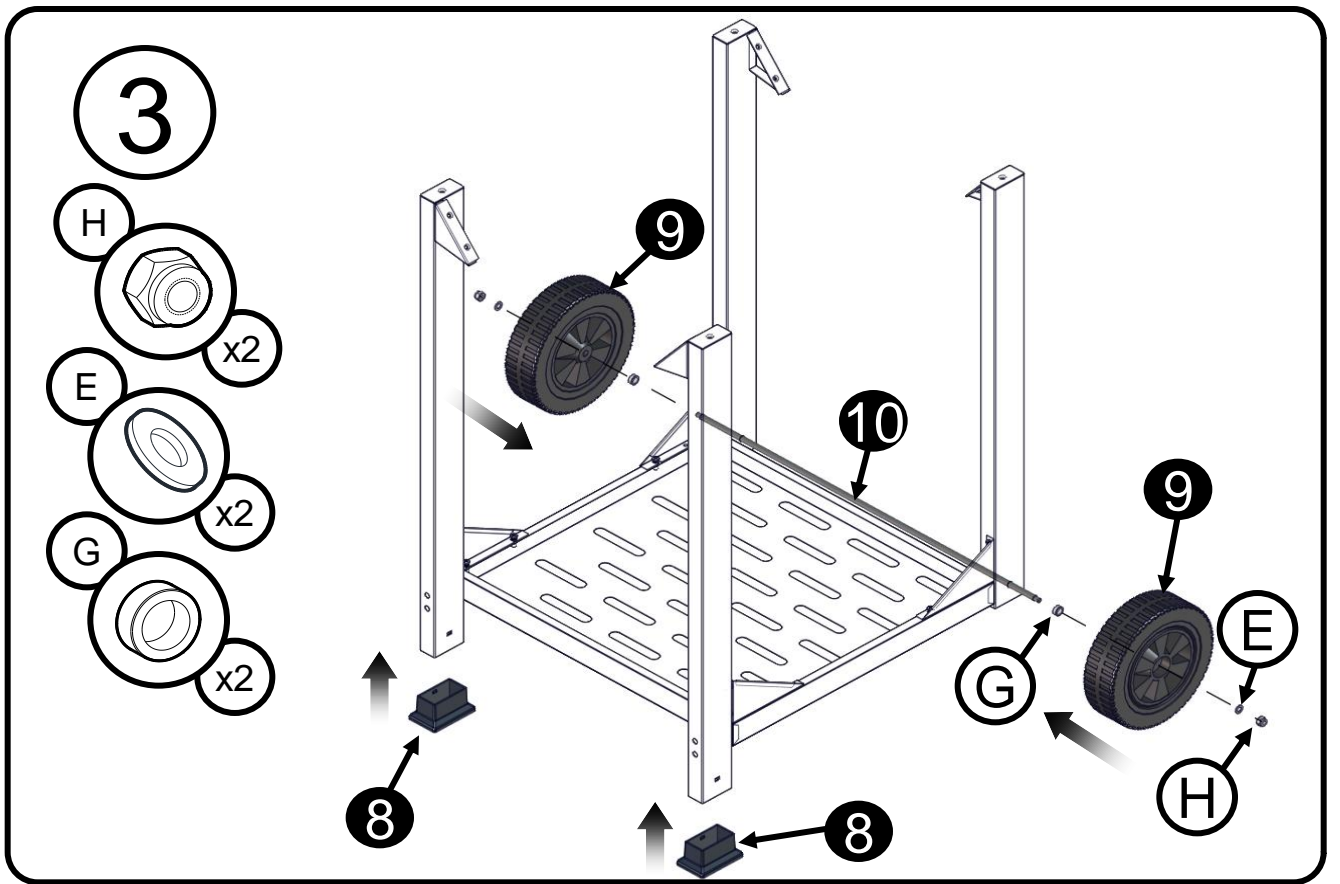


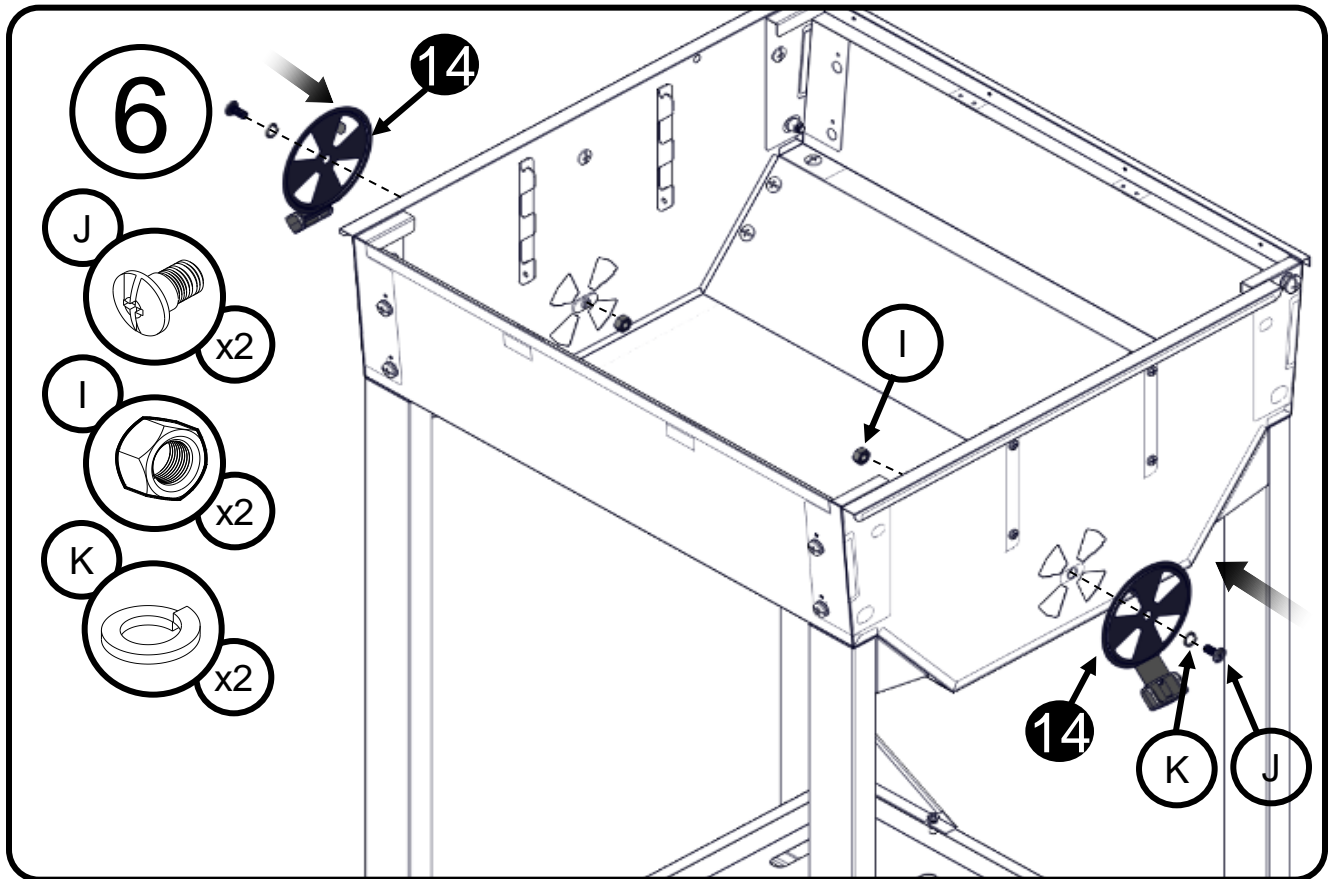
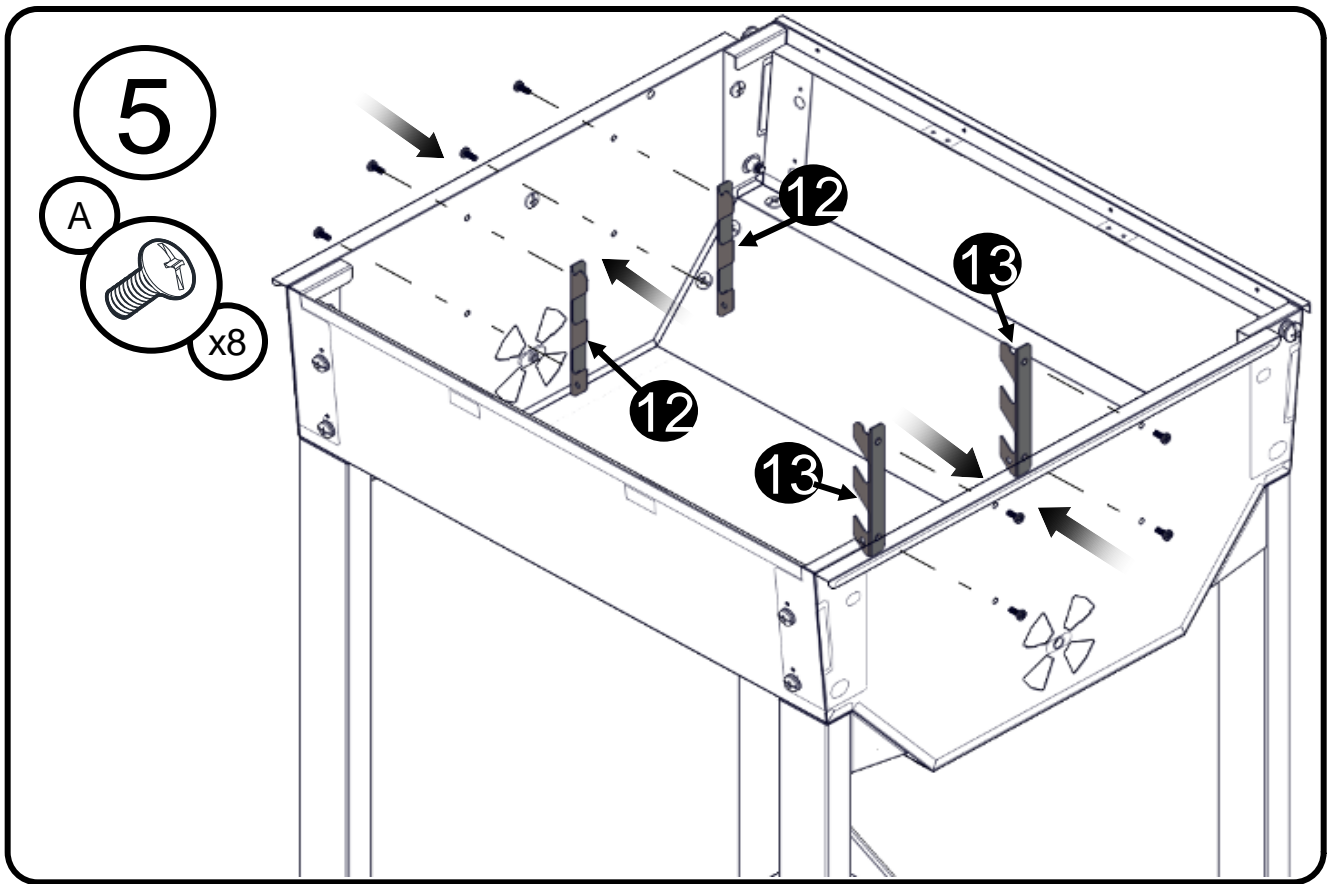
Liste des pièces

N°	Pièce(description)	Couverture de la garantie	QTÉ	N°	Pièce (description)	Couverture de la garantie	QTÉ
1	Couvercle principal	1	1	16	Cuvette pour charbon	non remplaçable	1
2	Cheminée pour charbon	1	1	17	Support de panneau de commande, droit	1	1
3	Couvercle pour cheminée	1	1	18	Support du panneau de commande, gauche	1	1
4	Indicateur de température	1	1	19	Panneau avant	1	1
5	Poignée du couvercle principal	1	1	20	Vis de niveau de l'étagère latérale	1	4
6	Grille chauffante	1	1	21	Pied du chariot, arrière droit	1	1
7	Logo	1	1	22	Pied du chariot, avant droit	1	1
8	Vis du couvercle principal	1	2	23	Essieu de la roue	1	1
9	Grille de cuisson avec trou	1	2	24	Roue	1	2
10	Crochet du plateau à charbon	1	2	25	Panneau inférieur	1	1
11	Étagère latérale, gauche	1	1	26	Support triangulaire A	1	2
12	Support du bac à Charbon principal, gauche	1	2	27	Support triangulaire B	1	2
13	Support du bac à Charbon principal, droit	1	2	28	Pied du chariot, avant gauche	1	1
14	Support de réglage de la ventilation	1	2	29	Pied du chariot, arrière gauche	1	1
15	Plateau à charbon	1	1	30	Insertion de la roulette du chariot	1	2
					Manuel		1
					Paquet de quincaillerie		1

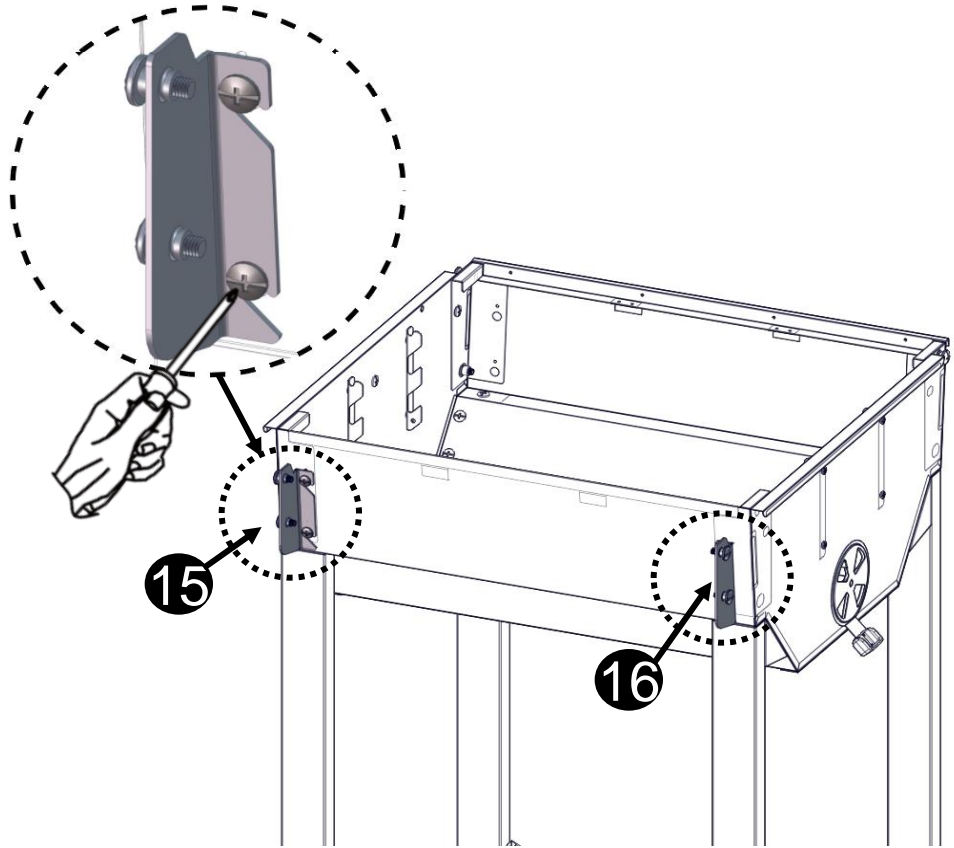
Consignes pour l'assemblage



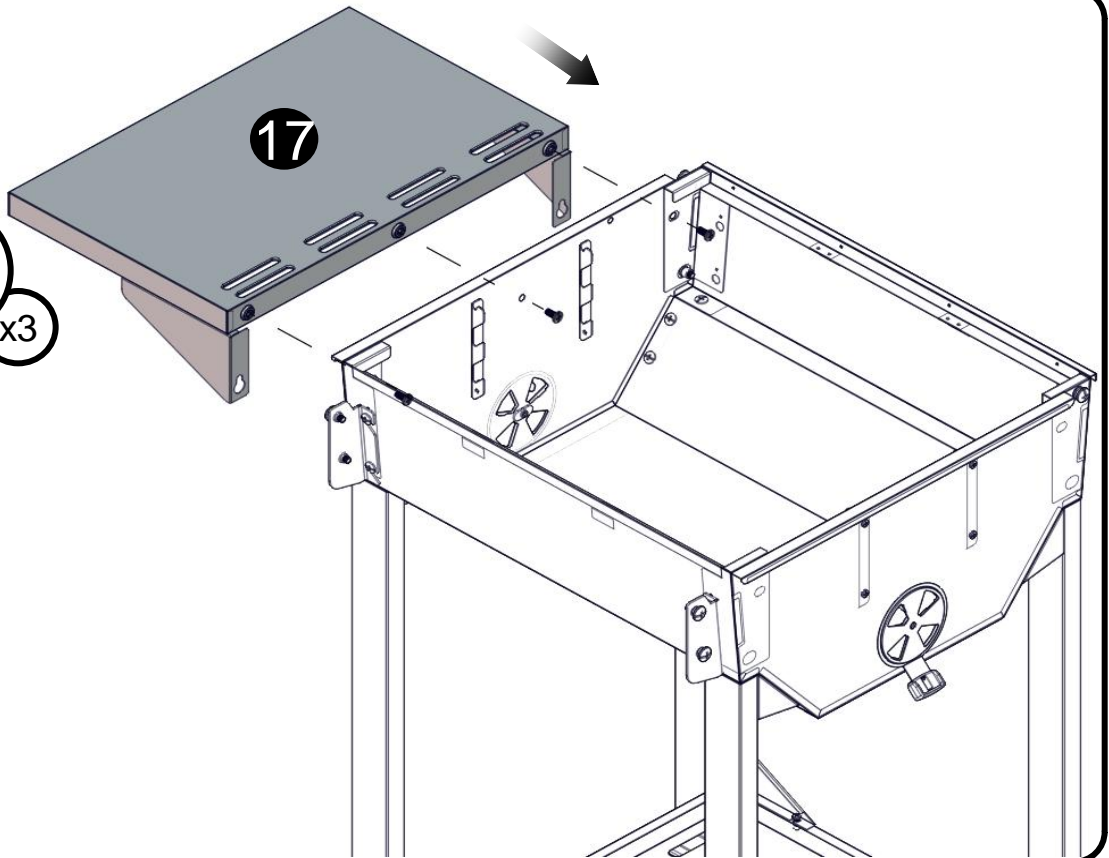
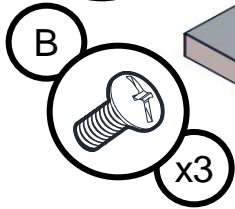


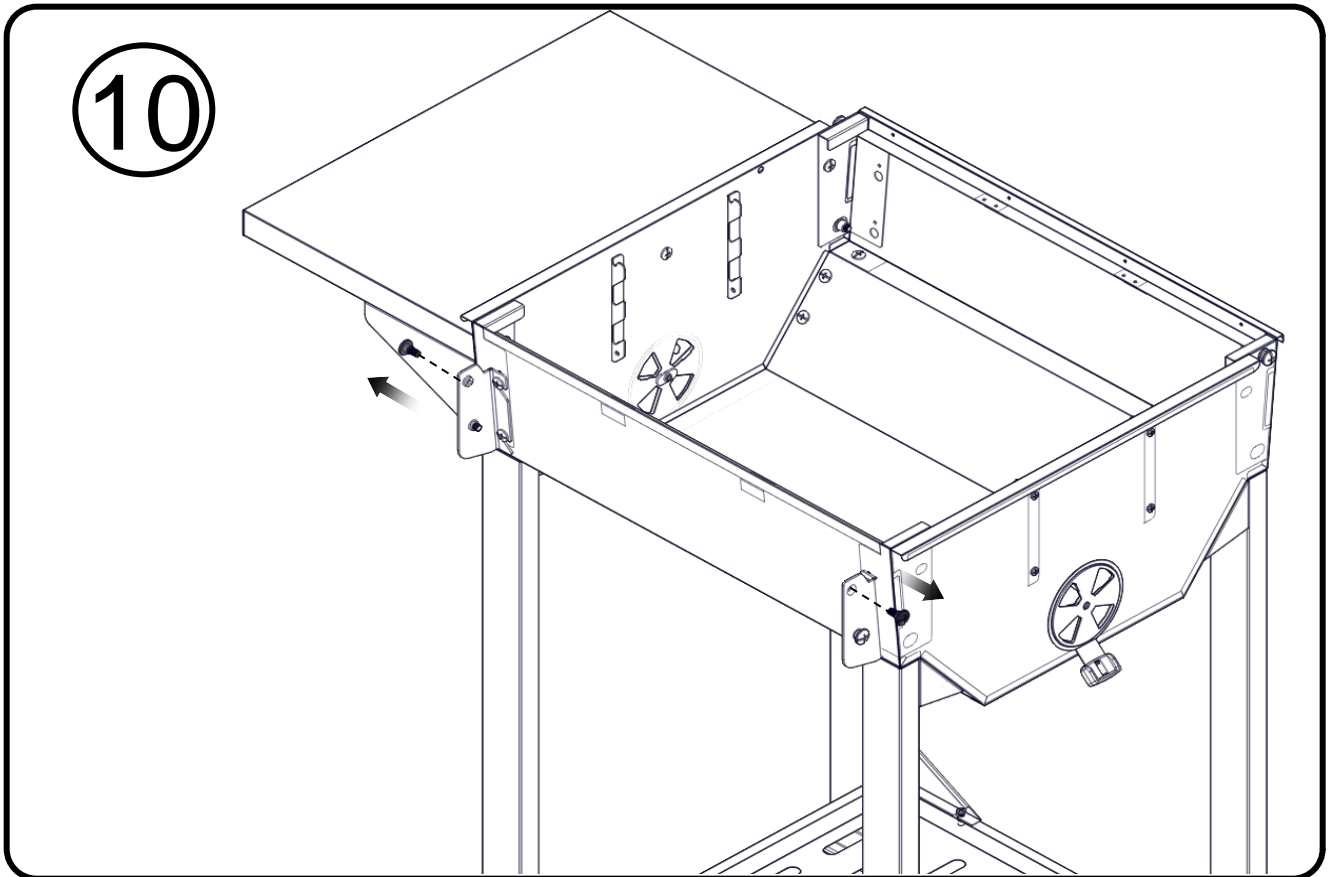
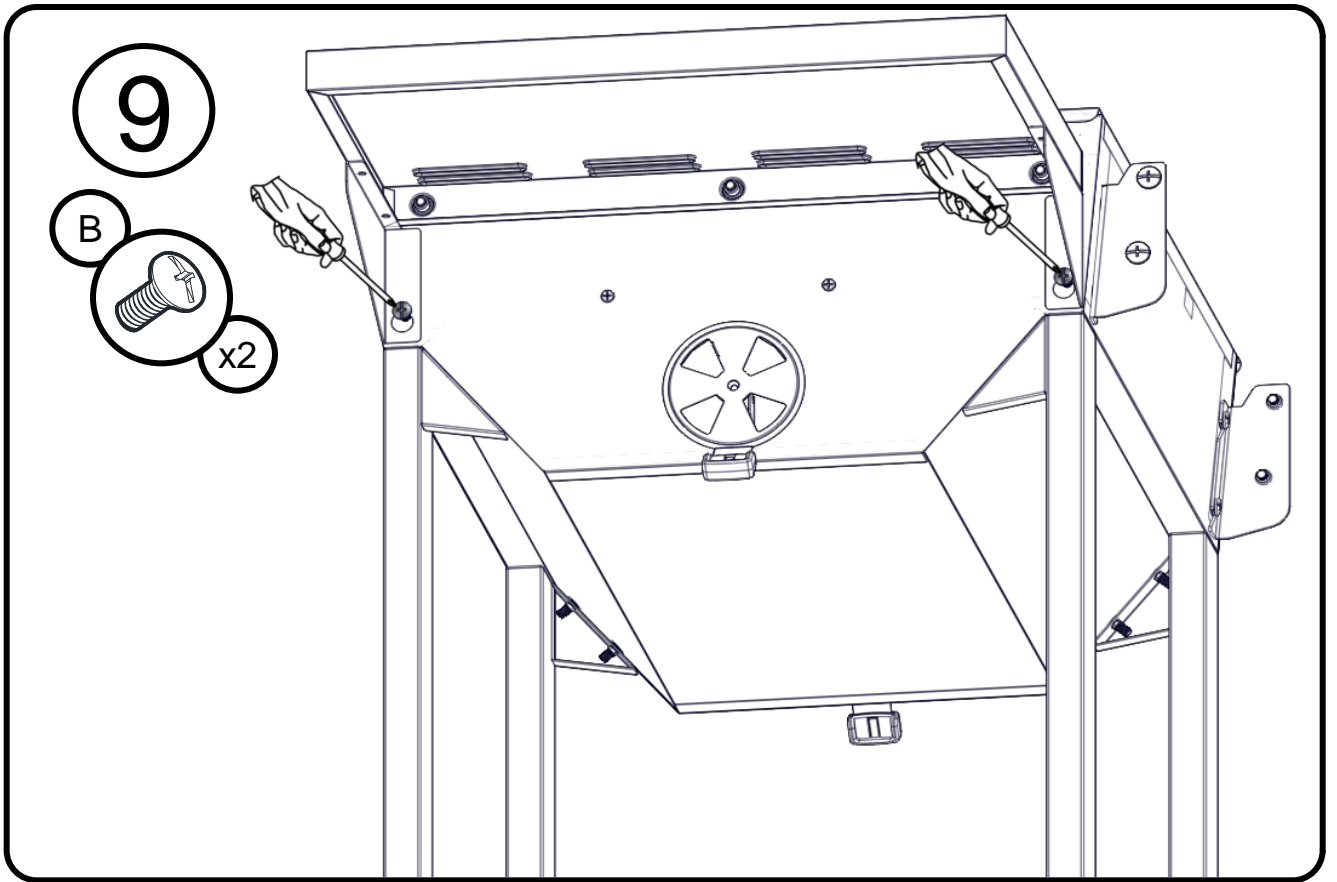


7

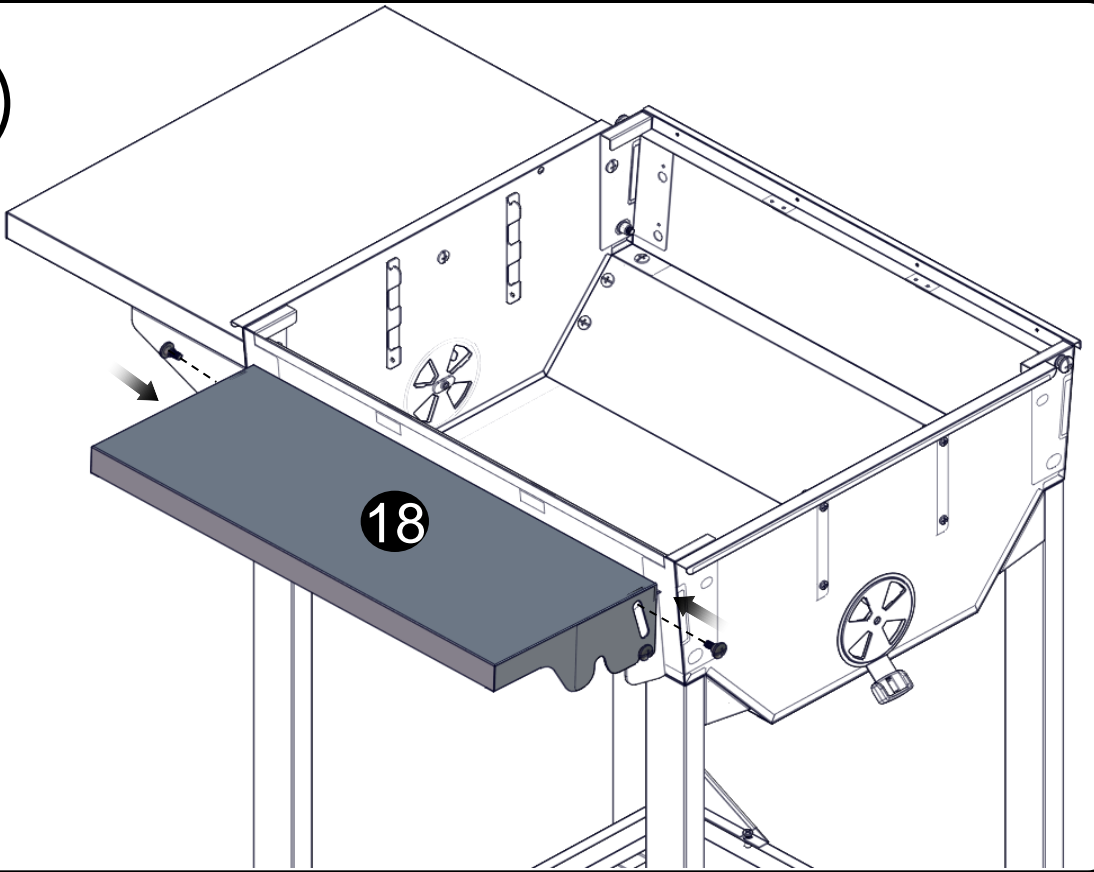


8

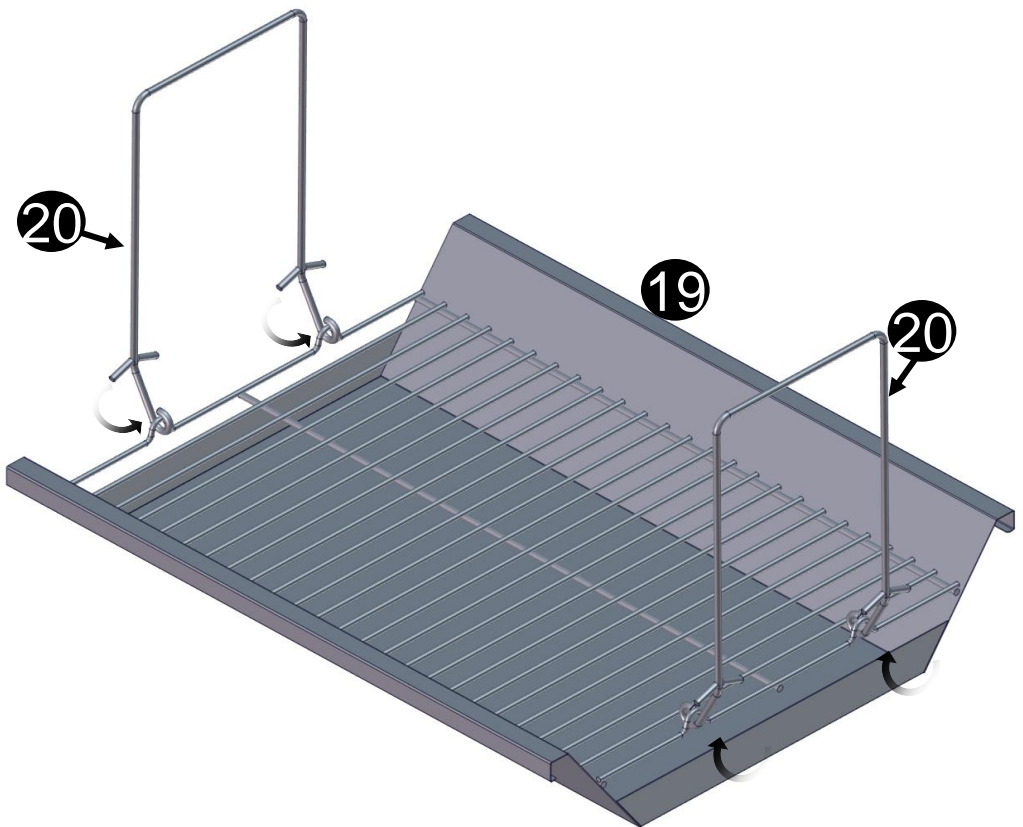




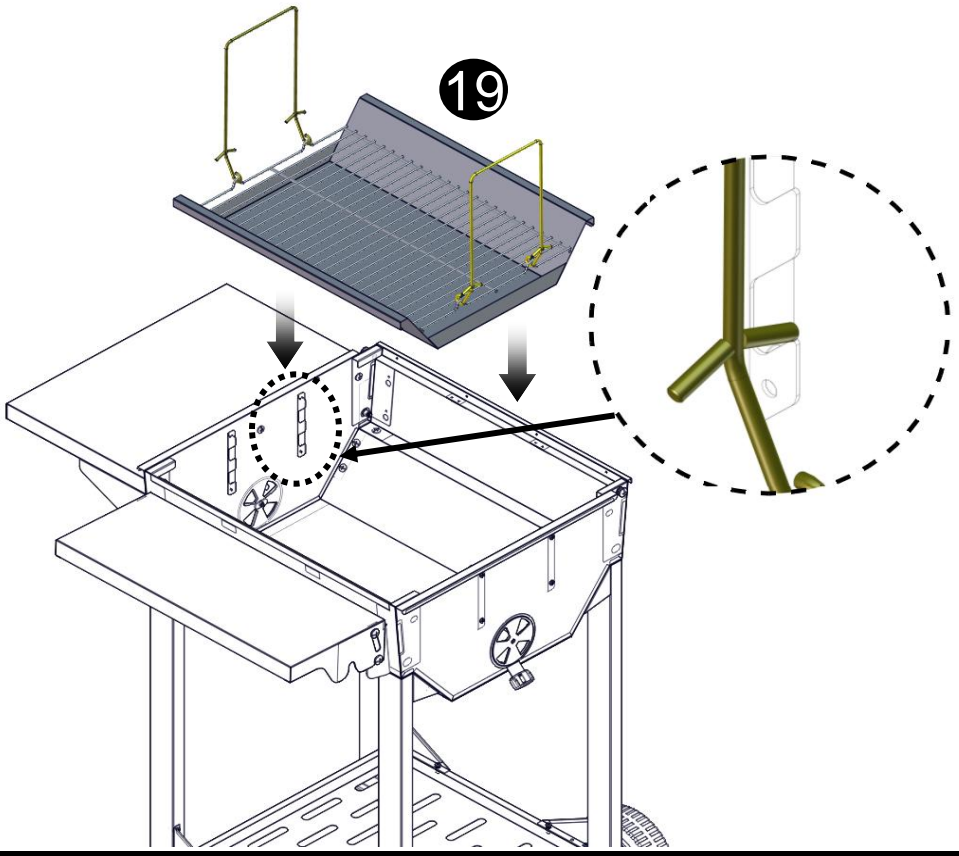
11



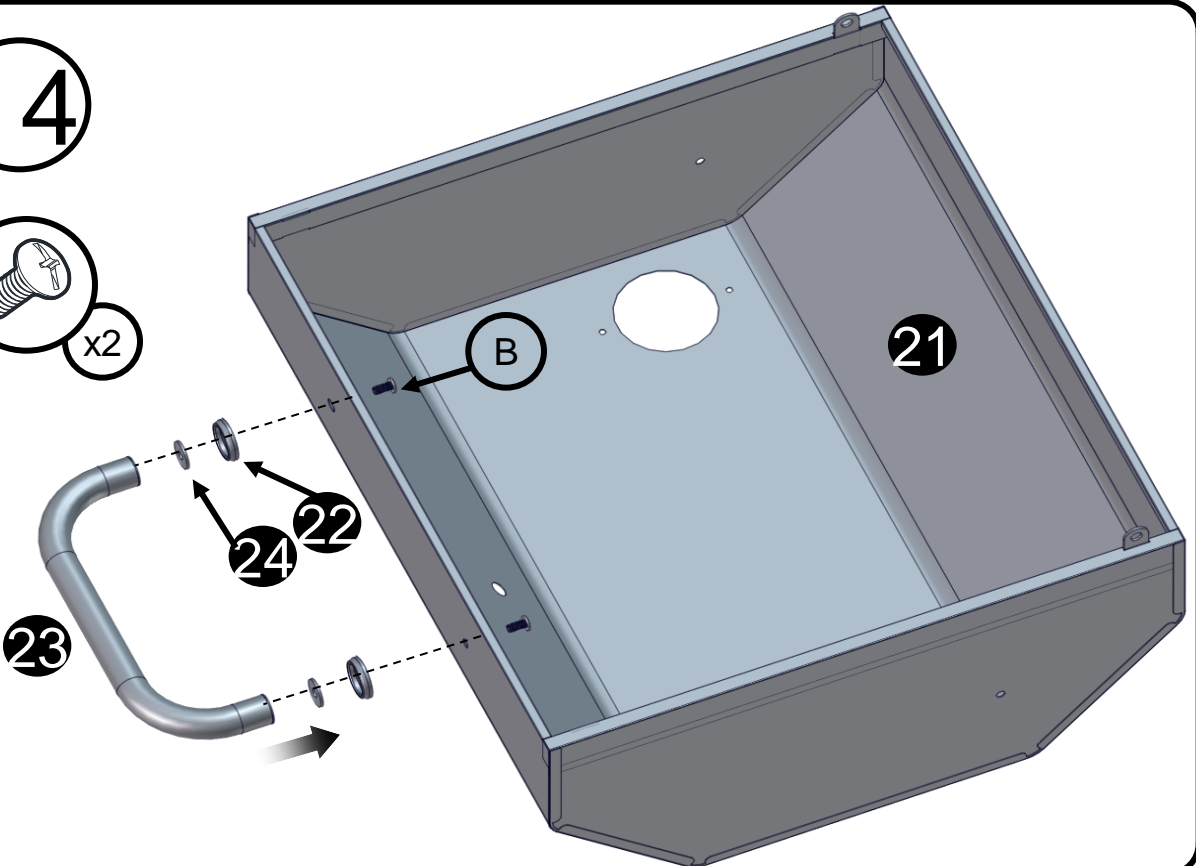
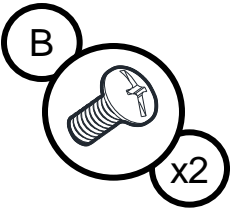
12



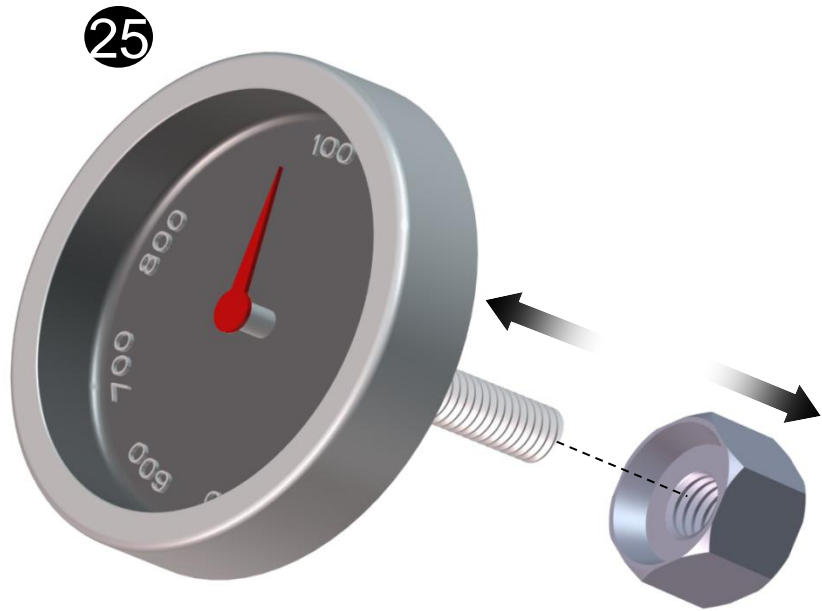
13



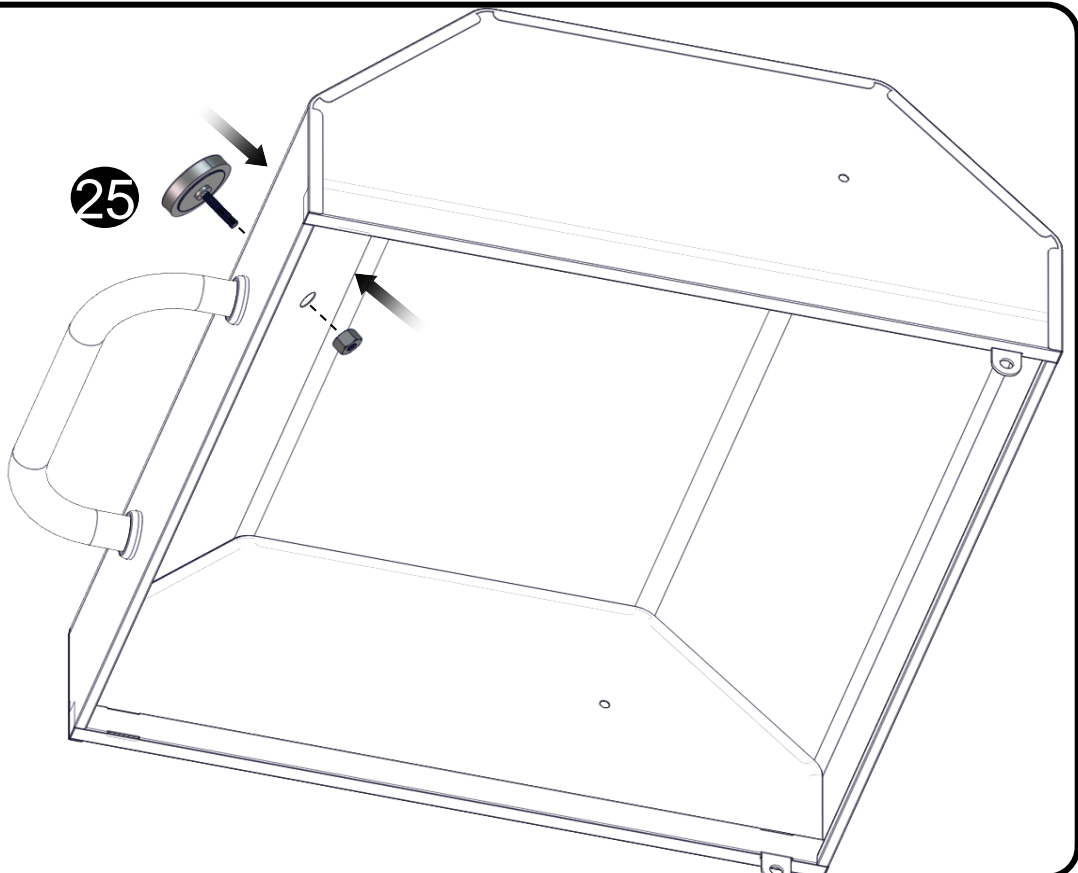
14

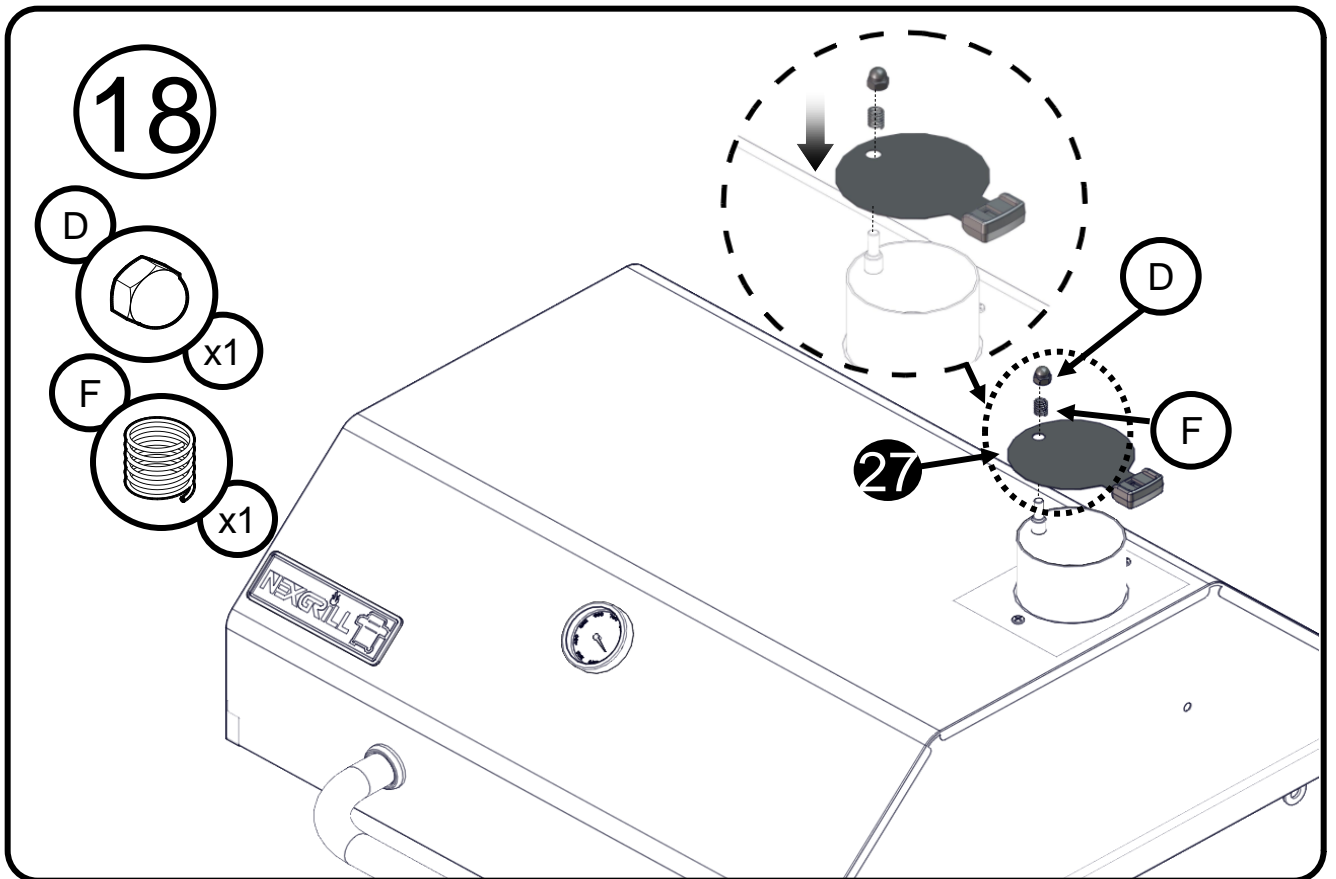
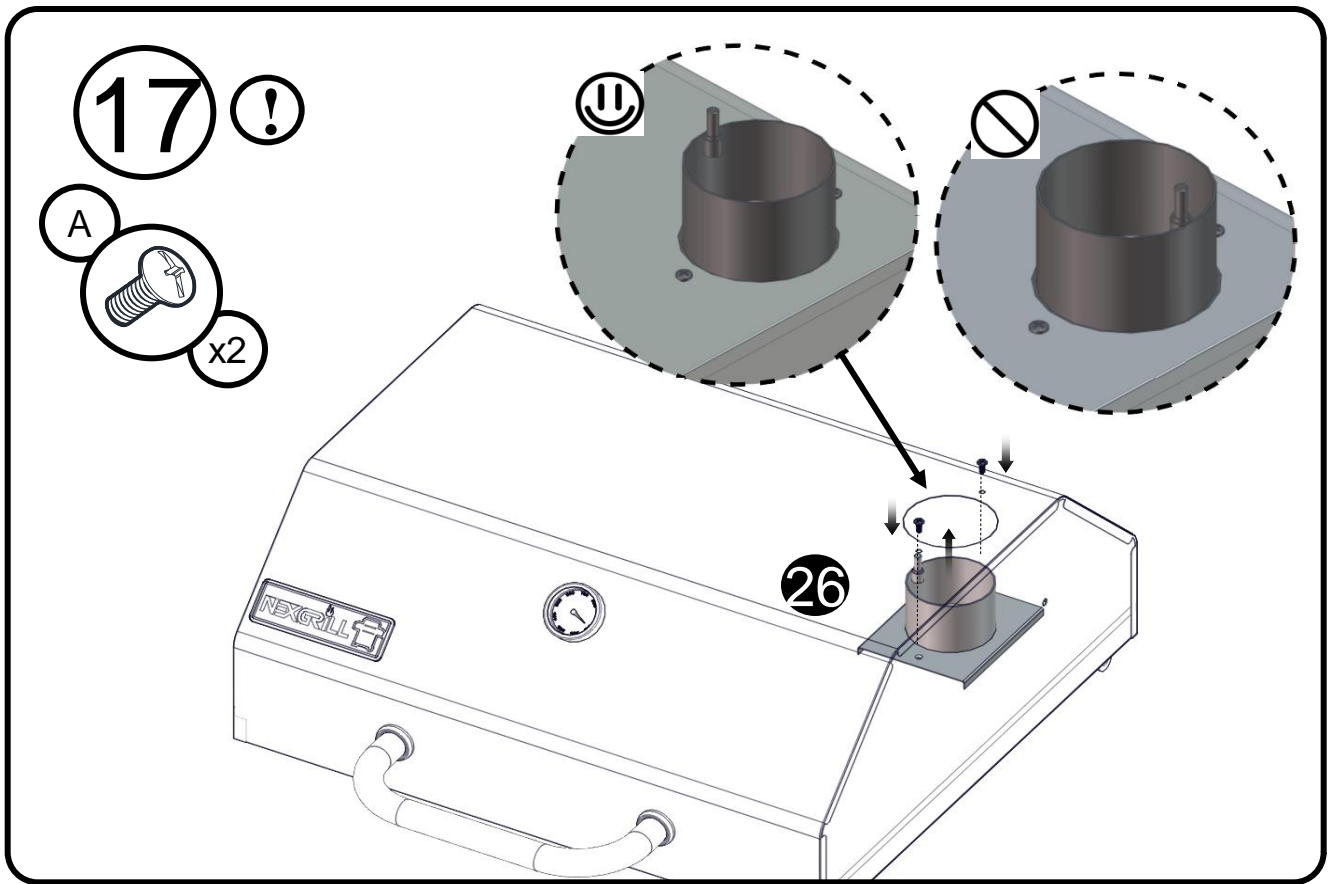


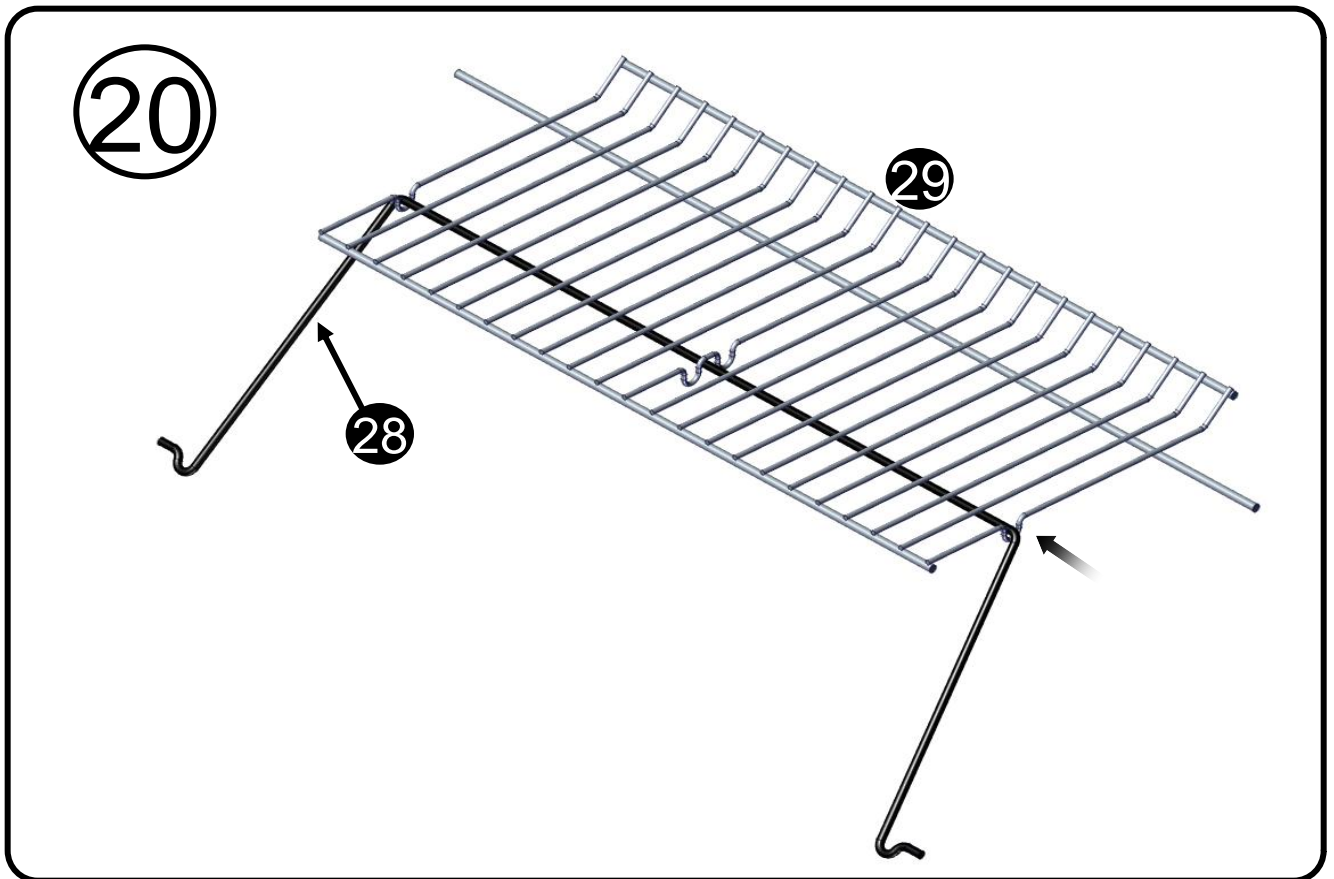
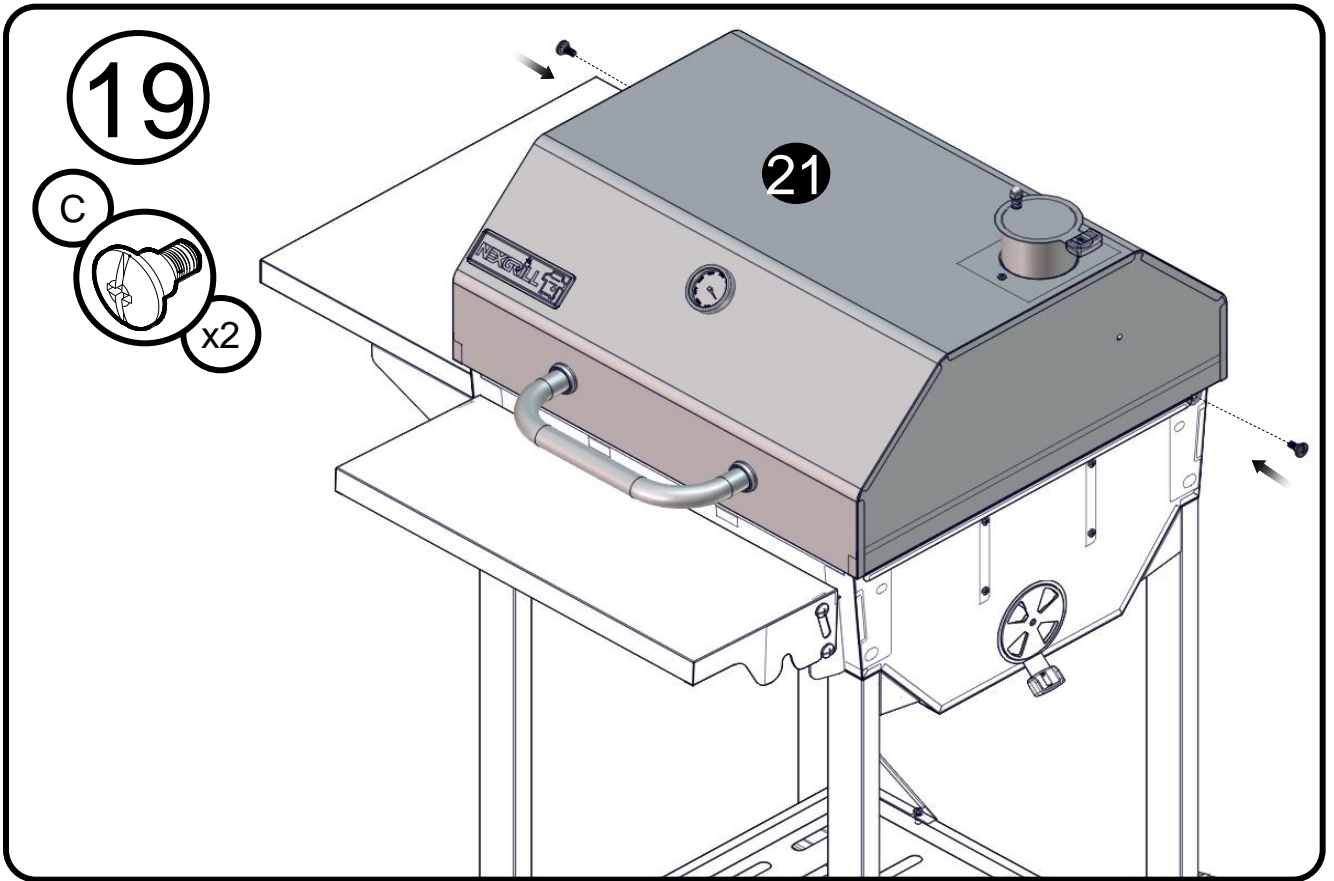
15



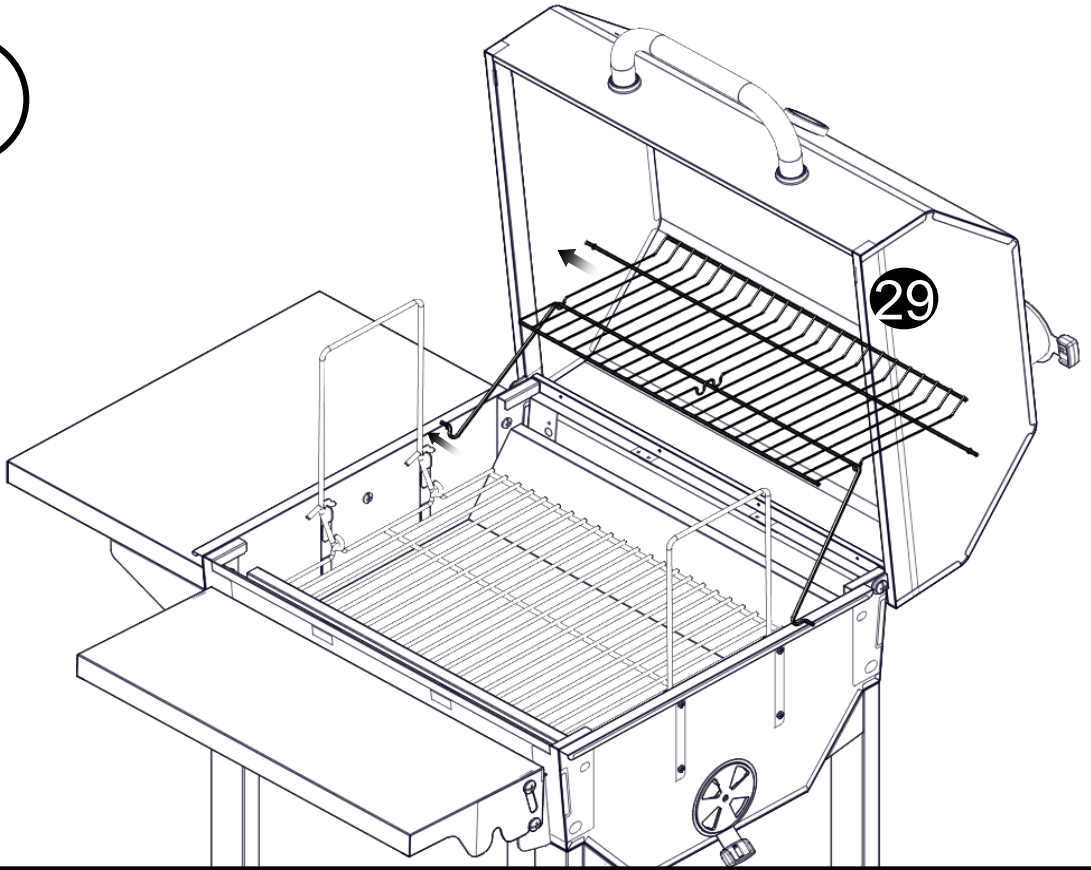
16



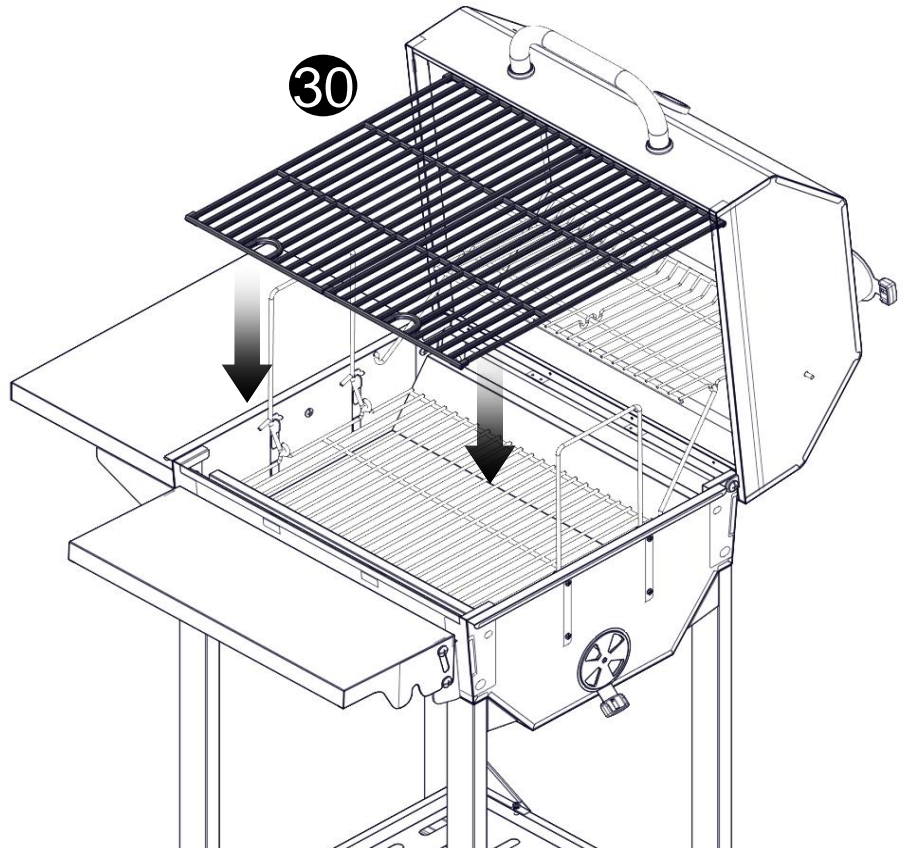




21



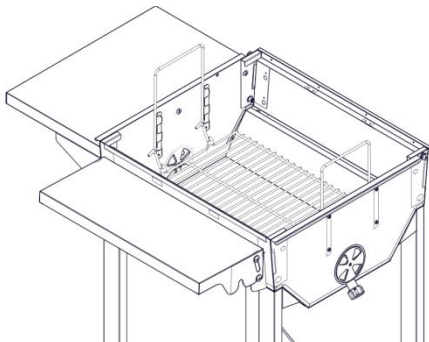
22



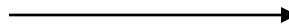
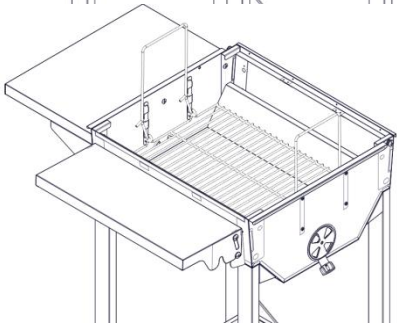
⚠ LISEZ TOUTES LES CONSIGNES DE SÉCURITÉ AVANT D'UTILISER VOTRE GRIL.

Consignes pour l'allumage du charbon

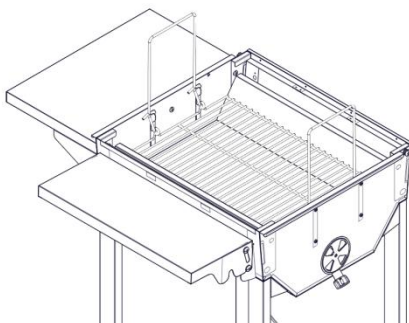
1. Soulevez le couvercle du gril.
2. Soulevez la crochets du plateau à charbon pour régler le bac à une hauteur moyenne.
3. Versez des briquettes de charbon standard, sans dépasser les 7 dans le plateau de charbon et arrangez-les en pile. Assurez-vous que le charbon ne dépasse pas la grille à charbon.
4. Allumez les briquettes de charbon.
5. Ajustez la crochets du plateau à charbon chaud en position inférieure. Attendez que les flammes du charbon se soient calmées.
6. Une fois que les briquettes rougissent, utilisez la poignée du bac à charbon pour ajuster le bac à la position de cuisson souhaitée.



Niveau inférieur



Niveau intermédiaire



Niveau supérieur

RÉGLAGE DE LA TEMPÉRATURE

Pour contrôler la température de la cuisson, déplacez le support de réglage de la ventilation de la ventilation à l'avant du gril pour ouvrir et fermer la ventilation. Pour augmenter la température, ouvrez la ventilation. Pour réduire la température, fermez la ventilation.

REMARQUE: La température ne doit pas dépasser les 343° C (650 ° F). Vous pouvez vérifier la température à l'aide de l'indicateur de température situé sur le couvercle du gril.



AVERTISSEMENT

Utilisez toujours des gants de cuisine pendant l'ajustement des niveaux de cuissons afin de protéger vos main de la chaleur.



AVERTISSEMENT

N'utilisez jamais le gril sans mettre en place le tiroir de cendres. N'ESSAYEZ PAS de retirer le plateau des cendres du charbon tant que le tiroir contient des braises chaudes.

Suggestions d'utilisation

Lorsque le grill a totalement refroidi, relevez la section à charnière de la grille à charbon avec un gant pour ajouter du charbon au plateau à charbon.

Fonctionnement de la crochets du plateau à charbon

Utilisez la crochets du plateau à charbon pour relever ou abaisser le bac à charbon et régler la chaleur de cuisson à n'importe quel moment de la cuisson. Lorsque vous soulevez le bac, la chaleur directe augmente. Lorsque vous abaissez le bac, la chaleur directe est réduite. Relevez le bac une fois que l'unité a totalement refroidi pour faciliter le nettoyage des cendres que vous brossez dans le tiroir des cendres. Ne relevez pas le plateau à plus de la moitié lorsqu'il est rempli de charbon que vous venez de mettre.

Fonctionnement du support de réglage de la ventilation

Pour régler la ventilation, déplacez le support de réglage de la ventilation vers la droite ou la gauche.

LISEZ TOUTES LES CONSIGNES DE SÉCURITÉ AVANT D'UTILISER VOTRE GRIL.

Grillade/Flambée

1. Suivez soigneusement les consignes ci-dessous pour faire du feu. Vous pouvez utiliser du charbon ou du bois comme carburant dans le Gril Professionnel (Voir la section "Ajouter charbon/bois pendant la cuisson" de ce manuel).

AVERTISSEMENT :

N'utilisez jamais de charbon pré-traité avec de l'essence. Utilisez seulement un charbon non-traité ou une mixture de charbon de bois.

Si vous utilisez un allume-feu pour charbon de cheminée, suivez les consignes et avertissements du fabricant concernant l'utilisation de leur produit/ Commencez avec 4 à 3.2 kilos (7 livres) de charbon. Cela devrait suffire pour cuisiner, une fois le processus de fumage terminé. Tirer le ventilateur de l'air à l'avant sur la moitié gauche. Une fois que le charbon brûle fort, placez des braises chaudes avec précaution au centre du bac à charbon.

AVERTISSEMENT :

NE PAS utiliser le grill sans avoir mis en place le plateau des cendres de charbon. NE PAS essayer de retirer le plateau des cendres de charbon tant qu'il contient des braises chaudes.

REMARQUE: Pour prolonger la vie utile de votre grill, assurez-vous que le charbon ne touche pas les parois du grill.

EN CAS D'UTILISATION D'UN ALLUME-FEU POUR CHARBON DE CHEMINÉE, PASSEZ À L'ÉTAPE 4.

Si vous choisissez d'utiliser du liquide d'allumage à charbon, n'utilisez QUE du liquide conçu pour allumer le charbon. N'utiliser pas d'essence, de kerosene, d'alcool ou autre matériau inflammable pour allumer le charbon. (Respectez toutes les instructions du fabricant concernant l'emploi de leurs produits). Commencez avec 3.2kilos (7 livres) de charbon. Placez le charbon au centre du bac à charbon.

2. Saturer le charbon avec le liquide d'allumage. Laisser le couvercle du grill ouvert, attendez 2 à 3 minutes pour permettre au liquide d'allumage d'imprégner le charbon. Ranger le liquide d'allumage de charbon en toute sécurité loin du grill.

3. Laisser le couvercle du grill ouvert, éloignez-vous et allumez le charbon et laissez-le brûler avec une fine couche de cendres (environ 20 minutes).



AVERTISSEMENT :

Le liquide d'allumage de charbon doit être permis de brûler complètement avant de fermer le couvercle du gril (environ 20 minutes). Le non-respect de cette précaution peut piéger des vapeurs provenant du liquide d'allumage de charbon et peut entraîner un feu éclair ou une explosion une fois le couvercle ouvert.

4. Placez la grille de cuisson sur les supports du gril. Utilisez le bac à charbon pour atteindre le niveau de cuisson désiré.



AVERTISSEMENT :

Utilisez toujours des gants de cuisine pendant l'ajustement des niveaux de cuissons pour protéger vos mains des brûlures.

5. Placez la nourriture sur les grilles du gril et fermez le couvercle du gril. En fermant la ventilation de l'air à l'avant, l'intensité de la cuisson est ralentie. Utilisez toujours un thermomètre à viande pour assurer que la nourriture soit complètement cuite avant de la retirer du gril.

6. Laissez le gril refroidir complètement, puis suivez les consignes dans la section "Sécurité après l'usage" et de "Bon nettoyage et entretien" de ce manuel.

Réglage de la chaleur

Pour augmenter la chaleur, il peut être nécessaire d'ajouter plus de charbon ou d'ajuster la hauteur du charbon. Suivez les consignes de la section "Ajout de charbon pendant la cuisson" de ce manuel.

Pour maintenir la température, il peut être nécessaire d'ajouter plus de charbon ou d'ajuster la hauteur du charbon pendant le cycle de cuisson.

Ajouter des briquettes de charbon pendant la cuisson

Des briquettes de charbon supplémentaires peuvent devoir être ajoutées pour maintenir ou augmenter la température de la cuisson.

1. Éloignez-vous et ouvrez le couvercle du gril avec précaution. Soyez prudent étant donné que les flammes peuvent flamber dès que l'air frais entre en contact avec le feu



AVERTISSEMENT :

Utilisez des gants de cuisine pendant l'ajustement de la grille de cuisson ou la hauteur du bac à charbon.

2. Avec la poignée du bac à charbon, ajustez le bac de charbon en position inférieure. Retirez les nourritures de la grille du gril puis la grille du gril.

3. Tenez vous à une distance sûre et utilisez des pinces de cuisson longues pour broser légèrement les cendres sur les braises chaudes. Utilisez des pinces de cuisson pour ajouter du charbon ou du bois au bac à charbon, en prenant garde de ne pas attiser les cendres et les étincelles. Si besoin est, utilisez votre allume-feu pour charbon de cheminée pour allumer du charbon ou du bois en plus et les ajouter au feu existant.



AVERTISSEMENT :

Ne jamais ajouter du liquide d'allumage de charbon sur des braises chaude ou tièdes au risque de retour de flamme qui peut entraîner des brûlures sérieuses.

4. Une fois que le charbon brûle fort une fois encore, utilisez des gants de cuisine et remettez le bac à charbon au niveau de cuisson désiré.

5. Fermez le couvercle et la porte du gril. Laissez les aliments griller.

Sécurité après usage



AVERTISSEMENT :

◆ Laissez toujours refroidir le gril et tout ses composants avant de les manipuler.

◆ Ne laissez jamais les braises et les cendres sans surveillance. Assurez-vous que les braises et les cendres soit complètement éteintes avant de les retirer.

◆ Avant que le gril puisse être laissé sans surveillance, les braises et cendres restent doivent être retirée du gril. Soyez prudent pour vous protéger ainsi que vos biens. Placez les braises et les cendres restantes dans un récipient en métal non-combustible et complètement saturé d'eau. Laissez reposer les braises et l'eau dans le récipient en métal 24 heures avant d'y jeter.

◆ Les braises et cendres éteintes devraient être placés à une distance sûre loin des structures et matériaux combustibles.

◆ À l'aide d'un tuyau d'arrosage, mouillez complètement la surface en-dessous et autour du gril pour éteindre toutes cendres ou braises tombées pendant la cuisson ou le processus de nettoyage.

◆ Couvrez et rangez le gril dans un endroit protégé loin des enfants et des animaux domestiques.

- ◆ Pour protéger le gril de la rouille, l'unité doit être nettoyée soigneusement et couverte à tout moment quand il n'est pas utilisé.
- ◆ Lavez la grille de cuisson et la grille de charbon à l'eau chaude savonnée, rincez bien et séchez.
- ◆ Nettoyez l'intérieur et l'extérieur du gril en essuyant avec un linge humide. Appliquez une fine couche d'huile végétale ou d'huile végétale en aérosol sur la surface intérieure afin d'éviter la rouille. Ne couvrez pas le plateau à charbon ou le plateau de cendres à charbon.
- ◆ Si la rouille apparaît sur la surface extérieure du gril, nettoyez et frottez la zone affectée avec de la laine de verre ou une toile émeri fine. Retouchez avec une peinture résistante aux températures élevées de bonne qualité.
- ◆ Ne jamais peindre la surface intérieure. Les endroits rouillés à l'intérieur peuvent être frottés, nettoyés et recouverts d'une fine couche d'huile végétale ou d'huile végétale en aérosol.

Commande de pièces

COMMENT PASSER UNE COMMANDE DE PIÈCES DE REMPLACEMENT

Pour garantir que les pièces de remplacement convenant à votre gril à gaz seront envoyées, veuillez consulter les numéros de pièces sur les pages 60-61. Les informations suivantes sont requises pour assurer que la pièce envoyée est correcte. Prière de remarquer que les frais de livraison des pièces de rechange sont à votre charge.

- Numéro du modèle du gril au gaz (voir l'étiquette apposée sur le gril).
- Numéro de la pièce de remplacement nécessaire.
- Description de la pièce de remplacement nécessaire.
- Quantité de pièces requises

Pour obtenir des pièces de rechange, contactez notre service clientèle au 1 800-913-8999

IMPORTANT

Utilisez uniquement les pièces autorisées par l'usine. L'emploi de pièces qui ne seraient pas autorisées par l'usine peut être dangereux. Toute substitution annulerait votre garantie.

Conservez ce manuel d'instructions pour l'assemblage et de fonctionnement qui vous servira de référence et facilitera votre commande de pièces de remplacement.

Nexgrill garantit à l'acheteur-consommateur d'origine uniquement que ce produit (*Modèle n° 810-0025* est exempt de défaut de fabrication et de matériaux après un assemblage correct et dans des conditions d'utilisation normales et raisonnables au domicile pendant les périodes indiquées ci-dessous à compter de la date d'achat. Le fabricant se réserve le droit de demander une photo comme preuve du dommage ou de renvoyer les pièces défectueuses, tout frais d'expédition par voie postale ou transport prépayé par le consommateur, à titre de révision et d'inspection.

Toutes les pièces : Garantie LIMITÉE de 1 an

* Ne couvre pas l'écaillage, les éraflures, les fissures, la corrosion de la surface ou la rouille .

Une fois que le consommateur fournissant la preuve d'achat, tel qu'indiqué ci-contre, le fabricant répare ou remplace les pièces qui sont prouvées défectueuses pendant la période de garantie applicable. Les pièces requises pour l'exécution de ladite réparation ou le remplacement seront gratuites sauf pour les frais d'expédition, tant que l'acheteur soumet sa demande dans la période de garantie depuis la date d'origine de l'achat. L'acheteur-consommateur d'origine sera responsable des frais d'expédition des pièces remplacées selon les conditions de la présente garantie limitée. La présente garantie limitée est applicable aux États-Unis uniquement et uniquement disponible au propriétaire d'origine du produit. Elle *n'est pas transférable*. Le fabricant requiert une preuve raisonnable de votre date d'achat. Vous devez en conséquence conserver votre reçu d'achat et/ou facture. Si l'unité a été offerte en cadeau, demandez au donneur du cadeau d'envoyer le reçu en votre nom à l'adresse indiquée ci-dessous. Toute pièce défectueuse ou manquante soumise à la présente garantie limitée ne sera pas remplacée sans enregistrement ni preuve d'achat. La présente garantie limitée s'applique à la fonctionnalité du produit UNIQUEMENT et ne couvre pas les questions cosmétiques, telles que les éraflures, les bosses, les corrosions ou la décoloration résultant de la chaleur ou des agents de nettoyage chimique ou tout autre type d'outil utilisé pour l'assemblage ou l'installation de l'appareil, la rouille sur la surface ou la décoloration des surfaces en acier inoxydable. La rouille de la surface, la corrosion ou l'écaillage de la peinture en poudre sur les pièces métalliques n'affectent pas l'intégrité structurelle du produit et ne sont pas considérés comme défaut de fabrication ou de matériaux. En conséquence, ils ne sont pas couverts par la présente garantie. La présente garantie ne rembourse pas le coût de toute complication, aliment, blessure personnelle ni dommage matériel. Si une pièce de remplacement d'origine n'est pas disponible, une pièce de remplacement comparable sera envoyée. Vous serez responsable des frais d'expédition de toutes les pièces remplacées selon les conditions de la présente garantie limitée.

ÉLÉMENTS QUE LE FABRICANT NE REMBOURSE PAS :

Interventions pour réparation à votre domicile.

Réparations lorsque votre produit est utilisé pour une utilisation autre qu'une famille normale ou résidentielle.

Dommage résultant d'accident, modification, utilisation erronée, manque de maintenance/nettoyage, abus, incendie, inondation, cas de force majeure, installation incorrecte et installation ne correspondant pas aux codes d'électricité ou de plomberie ou utilisation des produits non approuvés par le fabricant.

Toute perte d'aliment en raison de pannes de produit.

Pièces de remplacement ou coûts de main-d'œuvre pour la réparation pour les unités utilisées en dehors des États-Unis ou au Canada.

Prise en charge et livraison de votre produit.

Frais d'expédition ou de traitement des photos envoyées dans des documents.

Réparation des pièces ou des systèmes résultant de modifications non autorisées apportées au produit.

La prise en charge et/ou réinstallation de votre produit.

Coût d'expédition, standard ou expédié, pour les pièces sous garantie/non garantie et de remplacement.

CLAUSE DE DÉNÉGATION DE RESONABILITÉ DES GARANTIES IMPLICITES: LIMITES DES RECOURS

La réparation ou le remplacement des pièces défectueuses sont votre recours exclusif conformément aux conditions de la présente garantie limitée. Le fabricant n'est pas responsable des dommages directs ou accessoires découlant d'une infraction à la présente garantie limitée ou à toute autre garantie implicite applicable ou toute défaillance ou dommage résultant de cas fortuit, entretien et maintenance incorrects, incendie déclenché par la graisse, accident, modification, remplacement de pièces de marques fabriquées par tiers, utilisation erronée, transport, utilisation commerciale, abus, environnements hostiles (temps rudes, calamités naturelles, modifications par des animaux), installation inappropriée ou non conforme aux codes locaux ou aux instructions imprimées du fabricant.

LA PRÉSENTE GARANTIE EST LA SEULE GARANTIE EXPRESSE OFFERTE PAR LE FABRICANT. AUCUNE SPÉCIFICATION DE PERFORMANCE OU DESCRIPTION DU PRODUIT, WHEREVER IT APPEARS N'EST GARANTIE PAR LE FABRICANT SAUF DANS LA FORME TELLE QUE STIPULÉE DANS LA PRÉSENTE GARANTIE. TOUTE PROTECTION DE GARANTIE IMPLICITE DÉCOULE DES LOIS D'UN ÉTAT QUELCONQUE, Y COMPRIS GARANTIE IMPLICITE DE COMMERCIALISATION OU D'ADAPTABILITÉ DANS UN OBJECTIF OU EMPLOI PARTICULIER EST PAR LA PRÉSENTE LIMITÉE EN TEMPS À LA DURÉE STIPULÉE CI-CONTRE.

Ni les revendeurs ni l'établissement de vente au détail vendant ce produit n'ont le droit de proposer d'autres garanties supplémentaires ou de promettre des recours additionnels ou ne correspondant pas aux déclarations susmentionnées. La responsabilité maximum du fabricant, dans tous les cas, ne peut pas dépasser le prix d'achat documenté du produit réglé par le consommateur d'origine. La présente garantie ne s'applique qu'aux unités achetées auprès d'un vendeur au détail ou revendeur agréé. REMARQUE : Certains états n'autorisent pas l'exclusion ni la limite de dommages directs ou indirects, en conséquence certaines limites ou exclusions susmentionnées peuvent ne pas vous concerner ; la présente garantie limitée vous confère des droits spécifiques légaux tels que stipulés dans les présentes. Vous pouvez en outre bénéficier d'autres droits variant d'un état à un autre.

Pour faire valoir vos droits conformément à la présente garantie limitée, vous devez envoyer un courrier à :

Nexgrill's Customer Relations

14050 Laurelwood PI

Chino, CA 91710 U.S.A.

Pour toute assistance concernant un retour de marchandises, des questions d'ordre général et des problèmes de dépannage, veuillez contacter. le U.S.A.:1- 800-913-8999.