

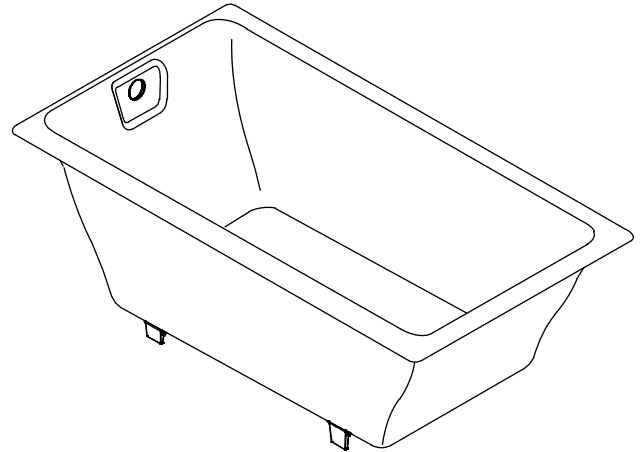
### Features

- Cast iron with Safeguard® finish
- 66" (1676 mm) x 36" (914 mm) x 24" (610 mm)

### Codes/Standards Applicable

Specified model meets or exceeds the following:

- ASME A112.19.1
- ASME A112.19.1/CSA B45.2



### Colors/Finishes

- 0: White
- Other: Refer to Price Book for additional colors/finishes

### Accessories:

- CP: Polished Chrome
- PB: Vibrant® Polished Brass
- Other: Refer to Price Book for additional colors/finishes
- NA: None applicable

### Specified Model

Model	Description	Colors/Finishes	
K-855	Bath, drop-in rim style	<input type="checkbox"/> 0	<input type="checkbox"/> Other_____
K-855-L	Bath, left drain, integral flange	<input type="checkbox"/> 0	<input type="checkbox"/> Other_____
K-855-R	Bath, right drain, integral flange	<input type="checkbox"/> 0	<input type="checkbox"/> Other_____

### Required Accessory

K-7147-AF	Drain	<input type="checkbox"/> CP	<input type="checkbox"/> PB	<input type="checkbox"/> Other_____
-----------	-------	-----------------------------	-----------------------------	-------------------------------------

### Recommended Accessory

K-587	Undermount installation kit	<input type="checkbox"/> NA
-------	-----------------------------	-----------------------------

### Product Specification

The bath shall be 66" (1676 mm) in length, 36" (914 mm) in width, and 24" (610 mm) in height. Bath shall be made of cast iron with Safeguard® finish. Bath shall be Kohler Model K-855-\_\_\_\_\_.

# TEA-FOR-TWO™

## Technical Information

<b>Fixture*:</b>	
Weight	440 lbs (199.6 kg)
Bathing Well:	
Basin area	45" (1143 mm) x 25" (635 mm)
Top area	58" (1473 mm) x 29" (737 mm)
To Overflow:	
Water depth	19-1/2" (495 mm)
Capacity	105 gal (397.4 L)
* Approximate measurements for comparison only.	

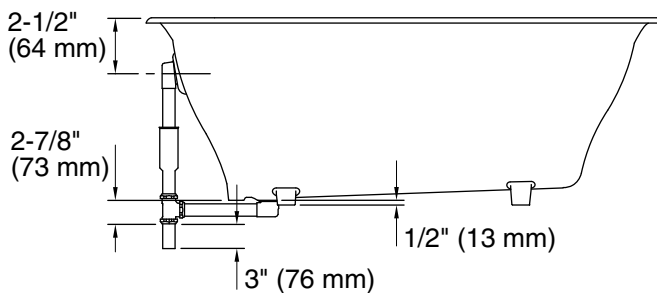
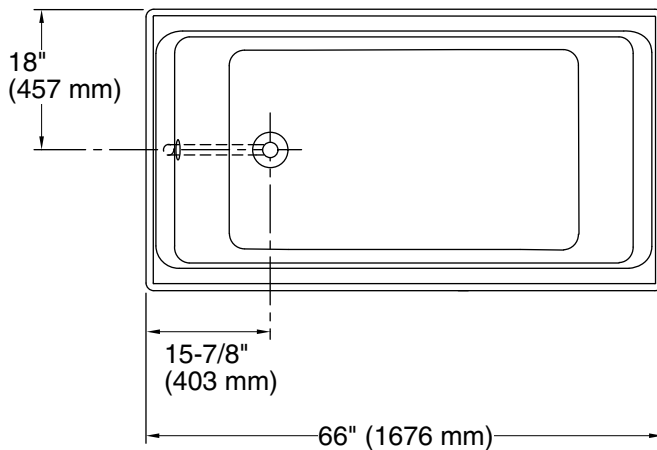
## Installation Notes

Install this product according to the installation guide.

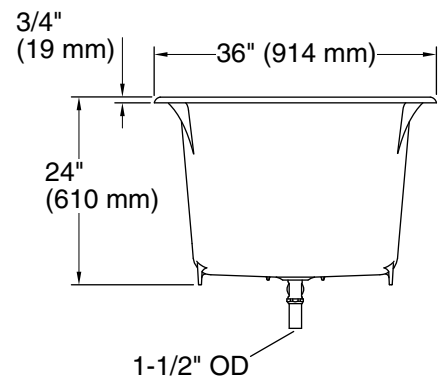
Floor support under the whirlpool must provide for a minimum of 81 lbs (397 kg) loading.

For a drop-in installation, the cut-out dimension is 64-1/2" (1638 mm) x 34-1/2" (876 mm).

For an undermount installation, the K-587 template is required.



No change in measurements if connected with drain illustrated.



## Product Diagram