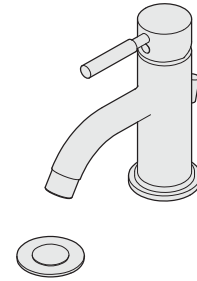


Location:

SYMMONS® Sereno™

Lavatory Faucet SLS-4312

Specification Submittal



Model Numbers

- SLS-4312 Lavatory Faucet with pop-up drain assembly

Options / Modifications

Append appropriate -suffix to model number.

- 1.5 1.5 (5.7 L/min) Flow rate restrictor
- 1.0 1.0 (3.8 L/min) Flow rate restrictor

Finish Options / Modifications

Append appropriate -suffix to model number.

- STN Satin nickel
- Polished chrome (standard finish)

Feature Highlights

- Single handle lavatory faucet with quarter turn ceramic components.
- Single hole mounting
- Braided supply hoses
- Pop-up drain and lift rod assembly
- Aerator with 2.2 gpm flow rate (8.3 L/min)
- Metal construction, polished chrome finish

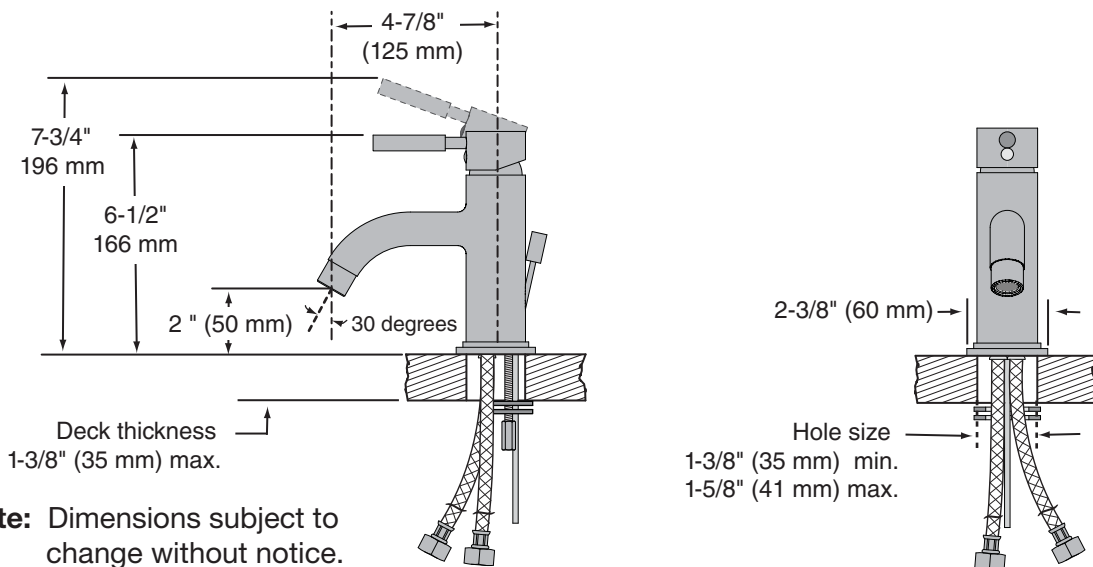
Standards / Certifications

ASME A112.18.1-2005/CSA B125.1-05

Warranty

- Limited Lifetime - to the original end purchaser in consumer installations.
- 5 years - for commercial installations

Dimensions Sereno Lavatory Faucet, SLS-4312



Symmons Industries, Inc. ■ 31 Brooks Drive ■ Braintree, MA 02184
(800) 796-6667, (781) 848-2250 ■ Fax (800) 961-9621, (781) 664-1300
Website: www.symmons.com ■ Email: customerservice@symmons.com
©2009 Symmons Industries, Inc. Printed in U.S.A. ■ 051209

SYMMONS®
the smart choice™