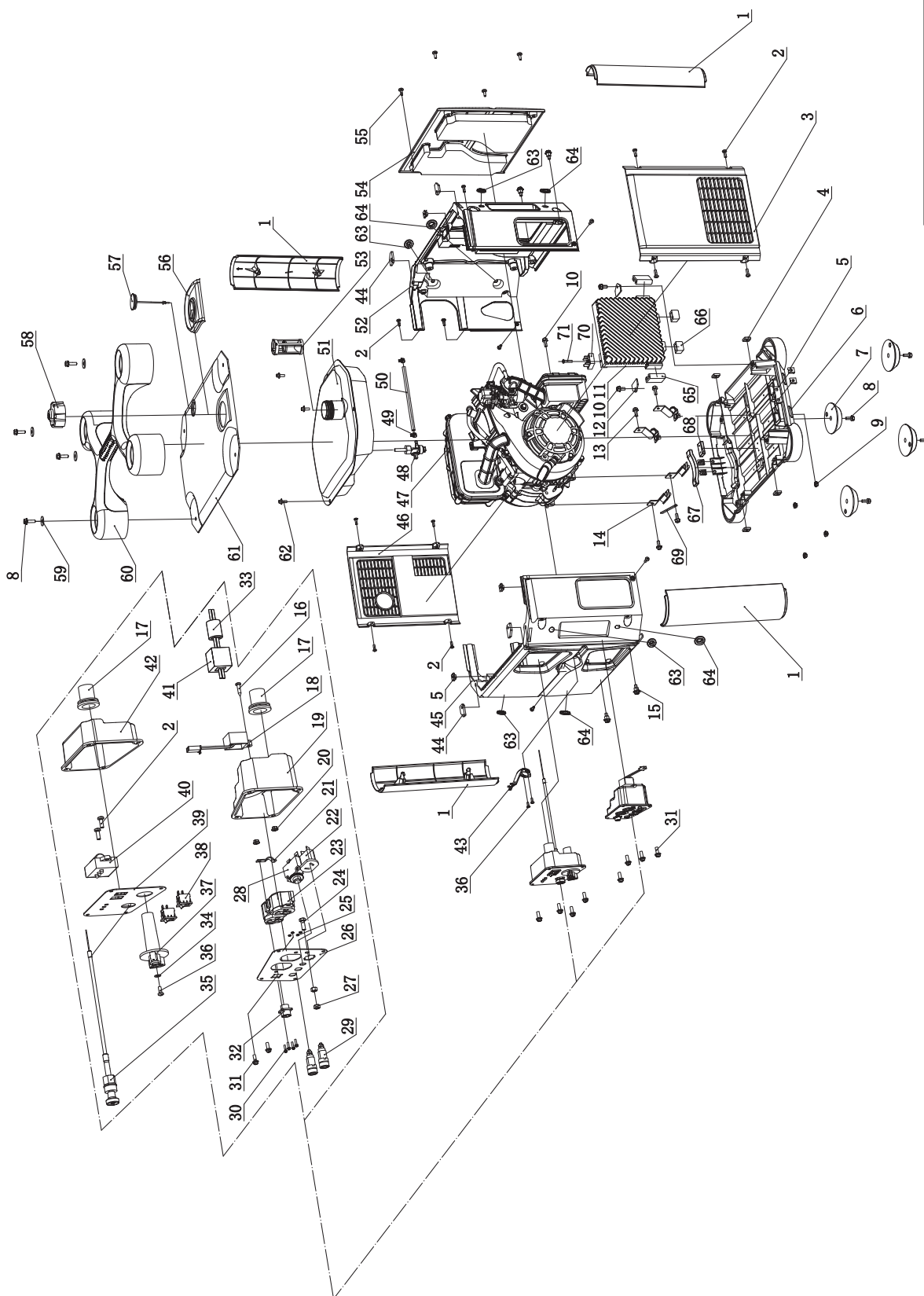


# SPECIFICATIONS

## Parts Diagram

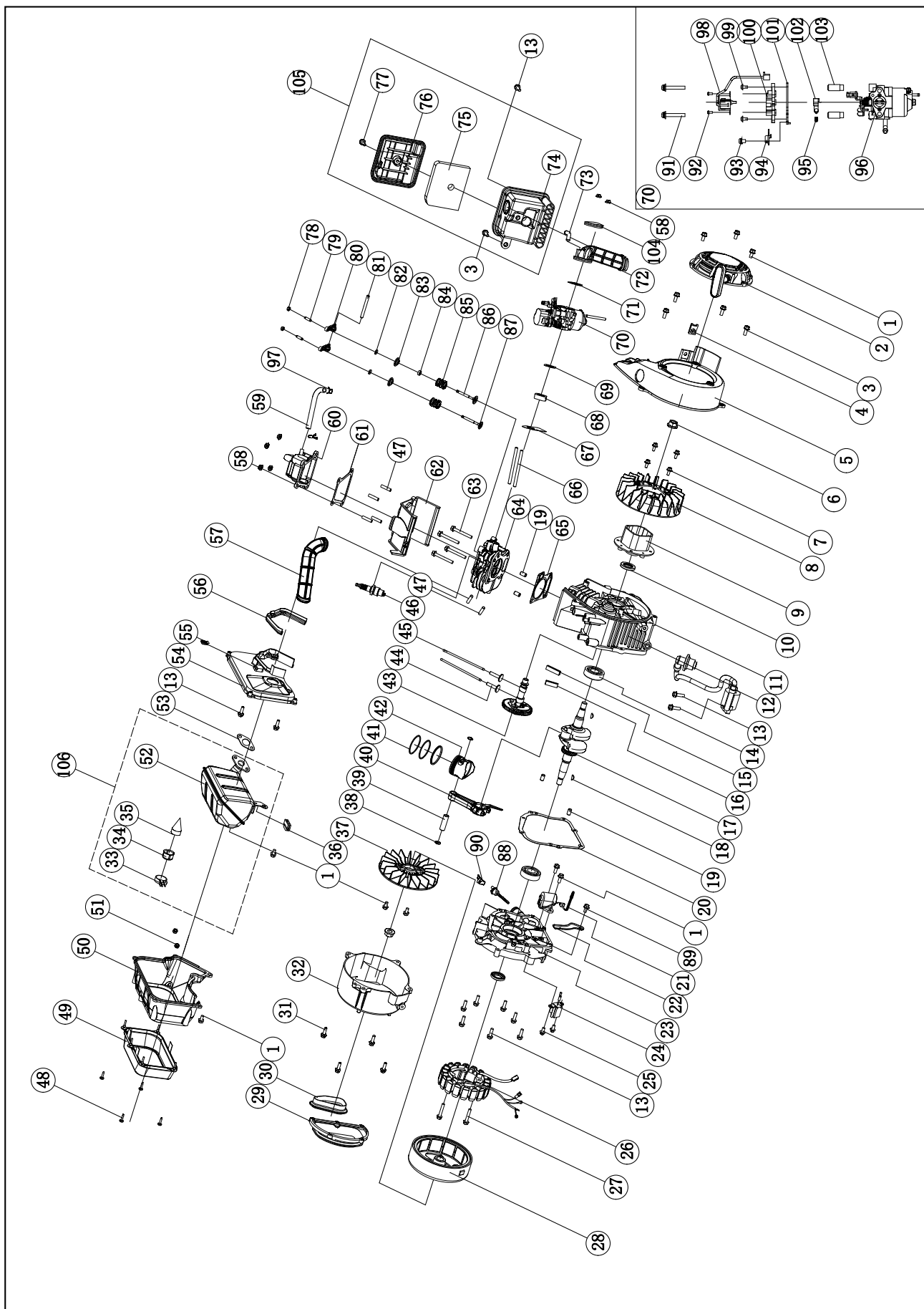


#	Part Number	Description	Qty
1	81.200800.00.2	Art Cover	4
2	1.818.0514.3	Screw M5×14, Green	17
3	81.200300.00.48	Cover, Right, Yellow	1
4	2.02.014	Nut M6	4
5	2.02.010	Nut M5	7
6	81.200601.00.2	Base Setting Component	1
7	81.200604.00	Mounting Rubber, Base Setting	4
8	1.5789.0622.3	Flange Bolt M6×22, Green	8
9	1.6177.1.06.3	Flange Lock Nut M6, Green	4
10	1.5789.0612	Flange Bolt M6×12	3
11	81.221000.01	Control Unit (120V/125V 60HZ)	1
12	81.220003.00	Pintch, Control Unit	2
13	1.5789.0615	Flange Bolt M6×15	4
14	81.200605.00	Motor Mount	4
15	2.08.052.3	Bolt M6×16, Green	4
16	1.845.4220	Tapping Screw ST4.2X20	1
17	122.210003.01	Plug, Control	2
18	5.1840.002	Case, Power Supply	1
19	81.212001.00	Control Box, Output Panel	1
20	1.6177.1.04.3	Flange Lock Nut M4, Green	2
21	81.210012.00	Pintch, Signal	1
22	5.1110.000	Receptacle (DC. 12V)	1
23	5.1120.010	Receptacle 5-20R (Duplex)	1
24	1.5783.0514.3	Bolt M5×14, Green	1
25	1.6170.02.3	Nut M2, Green	4
26	81.01.5.2	Output Panel	1
27	1.6170.05.3	Nut M5, Green	2
28	5.1200.308	D.C 8A Breaker, Push Button	1
29	81.210001.00	Connect Port	2
30	1.9074.4.0210.3	Bolt And Washer Assembly M2×10, Green	4
31	1.9074.4.0414.3	Bolt And Washer Assembly M4×14, Green	10
32	5.1130.001	Receptacle	1
33	81.210200.00	Toroid Coil, Component	1
34	1.97.1.04.3	Washer Ø4, Green	3
35	81.130200.00	Pull Choke Assembly	1

#	Part Number	Description	Qty
36	1.818.0412.3	Screw M4×12, Green	3
37	81.070001.00	Fuel Cock Knob	1
38	5.1010.001.1	Ignition Switch	2
39	81.211100.00.2	Operate Panel	1
40	81.126000.00	Ignition Assembly	1
41	81.210200.01	Toroid Coil, Component	1
42	81.211001.00	Control Box, Operation Panel	1
43	81.061200.00	Guide, Rope	1
44	2.02.015	Nut M6	4
45	81.200101.00.48	Front Cover, Yellow	1
46	81.200200.00.48	Cover, Left, Yellow	1
47	81.403	Engine	1
48	81.070400.00	Fuel cock	1
49	2.06.007	Clamp, Ø8 x b6	2
50	81.070011.00	Pipe, Ø4.5 x Ø8.5 x 185	1
51	81.071000.00.1	Fuel Tank, Black	1
52	81.200401.00.48	Supporter, Rear Cover, Yellow	1
53	81.070300.00	Fuel Filter, Wire Mesh	1
54	81.200402.00.48	Protector, Rear Cover, Yellow	1
55	1.818.0614.3	Screw M6×14, Green	4
56	81.200502.00	Spillway, Fuel Tank	1
57	81.200503.00	Grommet	1
58	81.070100.00.3	Fuel Tank Cap	1
59	1.5287.06.3	Giant Washer Ø6, Green	4
60	81.200700.00.2	Handle Assembly	1
61	81.200501.00.48	Cover, Top, Yellow	1
62	2.08.068.2	Flange Bolt M5×13	3
63	81.200102.00	Rotundity Jacket	4
64	81.200103.00	Groove Jacket	4
65	81.220001.00	Protector, Control Unit	2
66	81.220002.00	Mount Rubber, Control Unit	2
67	81.200602.00	Mounting Rubber, End Cover	1
68	81.200603.00	Mounting Rubber, Enging	1
69	2.05.050	Clamp, Wire	1
70	122.190600.00	Rectifier	1
71	1.5783.0520	Bolt M5×20	1
72	9.1600.011	12V DC Battery Charging Cable	1

# SPECIFICATIONS

## Engine Parts Diagram



#	Part Number	Description	Qty.
1	1.5789.0612	Flange Bolt M6x12	10
2	81.061000.00	Recoil Assembly	1
3	1.5789.0615	Flange Bolt M6x15	5
4	2.02.013	Nut	1
5	81.080100.00	Fan Cover	1
6	2.02.018	Nut M12X1.25	2
7	1.16674.0512	Flange Bolt M5x12	4
8	81.080001.00	Cooling Fan	1
9	81.060001.00	Pulley, Starter	1
10	2.11.019	Oil Seal (20X35X5)	2
11	81.030100.00	Crankcase	1
12	81.123000.01	Ignition Coil	1
13	1.5789.0620	Flange Bolt M6x20	12
14	1.276.6204	Bearing 6204	2
15	81.030013.01	Seal Strip2, Crankcase Cover	1
16	81.030013.00	Seal Strip1, Crankcase Cover	1
17	81.050100.00	Crankshaft	1
18	2.14.013	Woodruff Key (3X5X13)	2
19	2.04.002	Dawl Pin (8X14)	4
20	81.030008.00	Gasket, Crankcase Cover	1
21	81.127000.00	Oil Level Sensor	1
22	81.030006.00	Plate, Coil	1
23	81.030007.00	Cover, Crankcase	1
24	81.122000.00	Trigger Assembly	1
25	1.16674.0612	Flange Bolt M6x12	2
26	81.191200.02	Stator Component	1
27	1.5789.0635	Flange Bolt M6x35	2
28	81.191100.00	Rotor component	1
29	81.190006.01	Rubber Sleeve 2, End Cover	1
30	81.190006.00	Rubber Sleeve 1, End Cover	1
31	1.5789.0622.3	Flange Bolt M6x22	4
32	81.190002.00	End Cover, Motor	1
33	2.06.011	Clip (Ø25xb10)	1
34	81.101501.00	Cap, Spark Arrester	1
35	81.101300.00	Spark Arrester	1
36	81.081002.00	Rubber Seal Sleeve	1
37	81.190001.00	Generator Fan	1
38	2.09.007	Circlip (Ø13.5xØ1)	2
39	81.050003.00	Pin, Piston	1
40	81.050200.00	Connecting Rod	1
41	81.050300.00	Piston Ring Set	1
42	81.050005.00	Piston	1
43	81.040100.00	Camshaft	1
44	81.040013.00	Lifter, Valve	2
45	81.040005.00	Push Rod	2
46	2.15.005 (E6RTC)	Spark Plug (E6RTC)	1
47	2.01.027	Stud Bolt M6X27	6
48	1.845.4817	Tapping Screw	4
49	81.081300.00	Muffler Protector Assembly (Right)	1
50	81.081200.00	Muffler Protector Assembly (Middle)	1
51	1.6175.06.3	Nut M6	2
52	81.101100.00	Muffler Assembly	1
53	81.100001.00	Gasket, Exhaust Pipe	1
54	81.081100.00	Muffler Protector, Side	1

#	Part Number	Description	Qty.
55	81.081003.00	Fastening Insert	1
56	81.081001.00	Protector Seal, Muffler	1
57	81.080003.00	Air Duct	1
58	1.6177.1.06.3	Flange Lock Nut M6	6
59	81.020001.00	Breather Tube	1
60	81.021000.00	Cylinder Head Cover	1
61	81.020002.00	Gasket, Cylinder Head Cover	1
62	81.080200.00	Air Shroud, Cylinder	1
63	1.5789.0650	Flange Bolt M6x50	4
64	81.010100.00	Cylinder Head	1
65	81.030009.00	Gasket, Cylinder Head	1
66	2.01.026	Stud Bolt M6X88	2
67	81.130002.00	Gasket, Insulator	1
68	81.130001.00	Insulator, Carburetor	1
69	81.130003.00	Gasket, Carburetor	1
70	81.130000.00	Carburetor Assembly	1
71	81.130004.00	Gasket, Air Cleaner	1
72	81.090004.00	Pipe, Air Cleaner	1
73	81.090003.00	Joint, Breather Pipe	1
74	81.091100.00	Base, Air Cleaner	1
75	81.091003.00	Element, Air Cleaner	1
76	81.091200.00	Cover, Air Cleaner	1
77	2.08.053	Bolt (M6x20)	1
78	2.02.009	Nut, Lock(M6x0.5)	2
79	81.040012.00	Screw, Valve Adjustment	2
80	81.040009.00	Rocker Arm, Intake Valve	2
81	81.040016.00	Shaft, Rocker Arm	1
82	83.040014.01	Valve Collet	2
83	83.040001.01	Retainer, Valve Spring	2
84	81.040017.00	Oil Seal, Valve	1
85	83.040003.01	Spring, Valve	2
86	81.040002.00	Valve, Intake	1
87	81.040006.00	Valve, Exhaust	1
88	81.031000.00	Oil Dipstick Assembly	1
89	1.5789.0608	Flange Bolt M6x8	1
90	81.030035.00	Oil Nipple	1
91	1.9074.4.0535	Screw M5x35	2
92	1.818.0306.3	Screw M3x6	2
93	1.9074.3.0510	Screw M5x10	1
94	81.130007.00	Clamp Plate, Choke Control Line	1
95	81.130010.00	Spring, Connector	1
96	81.131000.00	Carburetor	1
	81.131000.02		
97	2.06.010	Clamp, Ø10.5 x Ø1	2
98	81.132200.00	Stepper Motor	1
99	1.9074.1.0408	Screw M4x8	2
100	81.132100.00	Stepper Motor Base	1
101	81.130005.00	Support, Stepper Motor	1
102	81.130008.00	Connector, Choke Valve Axis	1
103	81.130006.00	Brace, Support Plate	2
104	81.090005.00	Clamp Plate, Air Filter Tube	1
105	81.091000.00	Air Cleaner Assembly	1
106	81.101000.00	Muffler Assembly	1