



PLAYGROUND

MODEL N° 90143

OWNER'S MANUAL

COPY

Keep this Product ID Number and use when contacting Customer Service:

REGISTER YOUR PRODUCT ONLINE AT WWW.LIFETIME.COM

At Lifetime, we are committed to providing innovative and quality products. While registering, you will have the opportunity to give us your feedback. Your input is valuable to us.

- You can also opt in to receive new product notifications or promotions.
- In the unlikely event of a product recall or safety modification, your registration provides the information we need to notify you directly.
- Registration is fast, easy, and completely voluntary.

LIFETIME'S PROMISE TO YOU:

Maintaining your privacy is our long-standing policy at Lifetime. And you can rest assured that Lifetime will not sell or provide your personal data to other third parties, or allow them to use your personal data for their own purposes.

We invite you to read our privacy policy at www.lifetime.com

REGISTER today!

Save this owner's manual for future reference and in the event that the manufacturer has to be contacted.

****U.S. and Canada customers ONLY****
IF ASSISTANCE IS NEEDED,

DO NOT CONTACT THE STORE!

CALL OUR CUSTOMER SERVICE DEPARTMENT at 1 (800) 225-3865

HOURS: 7:00 a.m. to 5:00 p.m. Monday through Friday (Mountain Standard Time)

Call or visit our Web site for Saturday hours

Lifetime Products, Inc.

PO Box 160010 • Freeport Center, Bldg. D-11 Clearfield, Utah 84016-0010

For customers outside the U.S. or Canada, please contact the store for assistance.



SAFETY INSTRUCTIONS



FAILURE TO FOLLOW THESE WARNINGS MAY RESULT IN SERIOUS INJURY OR PROPERTY DAMAGE AND WILL VOID WARRANTY.

To ensure safety, do not attempt to assemble this product without reading and following all instructions carefully. Check the entire box and inside all packing materials for parts and/or additional instruction material. Before beginning assembly, identify and inventory all parts and hardware using the parts and hardware lists and identifiers in this document. Proper and complete assembly, use and supervision are essential for proper orientation and to reduce the risk of accident or injury. A high probability of serious injury exists if this product is not installed, maintained, and/or operated properly. Failure to comply with any of the warnings in this instruction manual may result in serious personal injuries such as cuts, broken bones, nerve damage, paralysis, brain injury, or death. Failure to comply may also result in property damage. Please heed all warnings and cautions.

Most injuries are caused by misuse and/or not following instructions. Use caution when using this product.

***This product is intended for use by children ages 3 to 12,
and is for outdoor residential use only.***

BEFORE BEGINNING ASSEMBLY



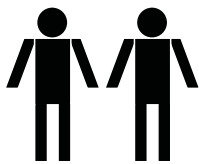
Keep the hardware bags and their contents separate. If any parts are missing, call our Customer Service Department.



Identify and inventory all parts and hardware using the parts and hardware lists and identifiers in this document.



Test fit all Bolts by inserting them into their respective holes. If necessary, carefully scrape away any excess powder coating buildup from inside the holes. Do not scrape away all of the powder coating. Bare metal may rust. You may need to pound some Bolts into place with a hammer or mallet.



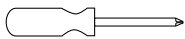
****Two adults required to complete assembly****

Only adults should set up the product. Do not allow children in the setup area until assembly is complete.



TOOLS AND PARTS REQUIRED FOR THIS ASSEMBLY

Phillips Screwdriver



(1)

11/16" Wrench



(1)

1/2" Wrench



(2)

1/4" Allen Wrench



(1, included)

Ladder



(1)

Rubber Mallet



3/16" Allen Wrench



(2, included)

ASSEMBLY GUIDES

Refer to the following areas throughout the instructions to assist in the assembly process:

This area is located at the top, left-hand corner of the page and indicates which tools and hardware are needed to complete the assembly steps on a page.



TOOLS AND HARDWARE REQUIRED FOR THIS PAGE

This area is located at the top, right-hand corner of the page and shows an image of the product with shaded parts indicating which section is being assembled.

SEC #

This area is usually located in the bottom, left-hand corner of a step and indicates that special attention is needed to perform a particular part of a step.



Note:

These areas are usually located in the bottom, right-hand corner of a step and indicate that damage to the product or serious injury may occur if the caution or warning is not heeded.

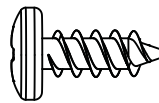


CAUTION



WARNING

Throughout the Parts & Hardware List, Part & Hardware Identifiers, and instructions are three-letter IDs. These IDs are below the images of the parts and hardware to help you locate and identify the parts and hardware during assembly. These IDs are not necessarily on the parts themselves.



ADZ (x10)
1/4" x 5/8" Pan-Head Screw

****IMPORTANT SAFETY INFORMATION****
PLEASE READ BEFORE
BEGINNING ASSEMBLY:

INSTALLATION & GROUND PREPARATION INSTRUCTIONS

- Place the equipment on a level, well-drained ground, not less than 6 ft (1.8 m) from any structure or obstruction such as a fence, garage, or house.
- Provide enough room so that children can use the equipment safely. For example, for structures with multiple play activities, a slide should not exit in front of a swing.
- Separate active and quiet activities from each other. For example, locate sandboxes away from swings or use a guardrail or barrier to separate the sandbox from the movement of the swings.
- Do not install home playground equipment over concrete, asphalt, packed earth, grass, carpet, or any other hard surface. A fall onto a hard surface can result in serious injury to the equipment user (see page 7).
- To prevent serious injury, warn children that they must not use the equipment until properly installed.
- Create a site free of obstacles that could cause injuries – such as low overhanging tree branches, overhead wires, tree stumps and/or roots, large rocks, bricks, and concrete.
- Choose a level location for the equipment. This can reduce the likelihood of the play set tipping over and loose-fill surfacing materials washing away during heavy rains.
- Tighten bolts securely, tighten nuts on bolts flush to the tube or member, and place caps over exposed bolts snug to the nut.
- For any questions call our Customer Service Department at 1-800-225-3865 for more information.

PLAYGROUND AND SURFACE MATERIALS INSTRUCTIONS

- Use containment, such as digging out around the perimeter and/or lining the perimeter with landscape edging.
- Do not install loose fill surfacing over hard surfaces such as concrete or asphalt.
- Installations of rubber tiles or poured-in-place surfaces (other than loose-fill materials) generally require a professional and are not “do-it yourself” projects.
- Use Playground Surfacing Materials (other than loose-fill material) which comply to the safety standard ASTM F1292 Standard Specification for Impact Attenuation of Surfacing Materials within the Use Zone of Playground Equipment.

OPERATING INSTRUCTIONS

Observing the following instructions and warnings reduces the likelihood of serious or fatal injury:

- The maximum number of occupants that may safely use the entire play set including all components is six with a maximum weight of 640 pounds (290 kg).
- On-site adult supervision should be provided for children of all ages.
- Instruct children not to walk close to, in front of, behind, or between moving items.
- Do not move the equipment while it is in use.
- Instruct children not to twist swing chains or ropes or loop them over the top support bar since this may reduce the strength of the chain or rope.
- Instruct children to avoid swinging empty seats.
- Teach children to sit in the center of the swings with their full weight on the seats.
- Instruct children not to use the equipment in a manner other than intended.
- Instruct children not to get off the equipment while it is in motion.
- To prevent entanglement and strangulation, dress children appropriately using well-fitting shoes and avoiding ponchos, scarves, jackets with neck drawstrings, helmets with straps, and other loose-fitting clothing that is potentially hazardous while using equipment.
- Instruct children not to play when the equipment is wet.
- Instruct children not to attach items to the playground equipment that are not specifically designed for use with the equipment, such as, but not limited to, jump ropes, clothesline, pet leashes, cables and chain as they may cause a strangulation hazard.

MAINTENANCE INSTRUCTIONS

If routine checks and maintenance procedures are not done, the equipment could overturn and/or become a hazard.

At the beginning of each play season:

- Tighten all hardware.
- Lubricate all metallic moving parts.
- Check all protective coverings on bolts, pipes, edges and corners. Replace if they are loose, cracked or missing.
- Check all moving parts including swing seats, ropes, cables and chains for wear, rust or other deterioration. Contact customer service for replacement parts.
- Check metal parts for rust. If found, sand and repaint using a non lead-based paint meeting the requirements of 16 CFR 1303.
- Reinstall any plastic parts, such as swing seats or any other items that were removed for the cold season.
- Rake and check depth of loose fill protective surfacing materials to prevent compaction and to maintain appropriate depth. Replace as necessary. (See page 5)

Twice a month during play season:

- Tighten all hardware.
- Check all protective coverings on bolts, pipes, edges and corners. Replace if they are loose, cracked or missing.
- Rake and check depth of loose fill protective surfacing materials to prevent compaction and to maintain appropriate depth. Replace as necessary. (See page 5)

Once a month during play season:

- Lubricate all metallic moving parts.
- Check all moving parts including swing seats, ropes, cables and chains for wear, rust or other deterioration. Contact customer service for replacement parts.

At the end of each play season or when the temperature drops below 40°F (5°C):

- Remove plastic swing seats and the trapeze swing and take them indoors or do not use.
- Rake and check depth of loose fill protective surfacing materials to prevent compaction and to maintain appropriate depth. Replace as necessary. (See page 5)
- If the warning sticker is illegible, destroyed, or removed contact the Customer Service Department at 1-800-225-3865 for a replacement.

Disposal Instructions: Disassemble and dispose of the playground equipment in such a way that no unreasonable hazards will exist at the time the equipment is discarded. Follow all local disposal requirements.

CONSUMER INFORMATION SHEET FOR PLAYGROUND SURFACING MATERIALS*

The U.S. Consumer Product Safety Commission (CPSC) estimates that about 100,000 playground equipment related injuries resulting from falls to the ground surface are treated annually in U.S. hospital emergency rooms. Injuries involving this hazard pattern tend to be among the most serious of all playground injuries, and have the potential to be fatal, particularly when the injury is to the head. The surface under and around playground equipment can be a major factor in determining the injury causing potential of a fall. It is self evident that a fall onto a shock-absorbing surface is less likely to cause a serious injury than a fall onto a hard surface. Playground equipment should never be placed on hard surfaces such as concrete or asphalt and while grass may appear to be acceptable, it may quickly turn to hard packed earth in areas of high traffic. Shredded bark mulch, wood chips, fine sand or fine gravel are considered to be acceptable shock-absorbing surfaces when installed and maintained at a sufficient depth under and around playground equipment.

Table 1 lists the maximum height from which a child would not be expected to sustain a life-threatening head injury in a fall onto different loose-fill surfacing materials if they are

installed and maintained at depths of 6, 9, and 12 inches. However, it should be recognized that all injuries due to falls cannot be prevented no matter what surfacing material is used.

It is recommended that a shock-absorbing material should extend a minimum of 6 ft. in all directions from the perimeter of stationary equipment such as climbers and slides. However, because children may deliberately jump from a moving swing, the shock absorbing material should extend in the front and rear of a swing a minimum distance of 2 times the height of the pivot point measured from a point directly beneath the pivot on the supporting structure.

This information is intended to assist in comparing the relative shock-absorbing properties of various materials. No particular material is recommended over another. However, each material is only effective when properly maintained. Materials should be checked periodically and replenished to maintain correct depth as determined necessary for your equipment. The choice of a material depends on the type and height of the playground equipment, the availability of the material in your area, and its cost.

*****The maximum fall height for this product is 108 in (274 cm).
We recommend using 9 in (23 cm) of Double Shredded Bark Mulch.*****

TABLE 1 — Depth of Surfacing Material Required Based on Fall Heights

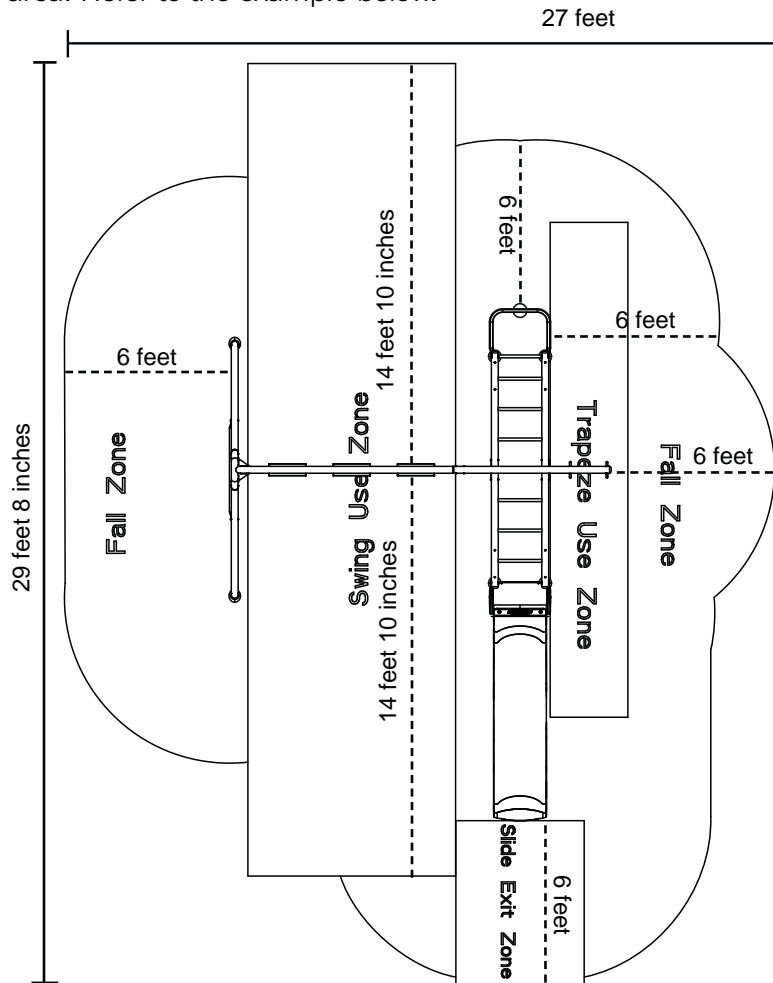
Material / Fall Height	5 ft (152 cm)	6 ft (183 cm)	7 ft (213 cm)	9 ft (274 cm)	10 ft (305 cm)	11 ft (335 cm)	12 ft (366 cm)
Double Shredded Bark Mulch	--	6 in (15 cm)	--	--	9 in (23 cm)	12 in (30 cm)	--
Wood Chips	--	6 in (15 cm)	9 in (23 cm)	--	--	--	12 in (30 cm)
Fine Sand	6 in (15 cm)	--	9 in (23 cm)	12 in (30 cm)	--	--	--
Fine Gravel	--	6 in (15 cm)	9 in (23 cm)	--	12 in (30 cm)	--	--
Shredded Tires***	--	--	--	--	6 in (15 cm)	--	--

*This information has been extracted from the CPSC publications "Playground Surfacing--Technical Information Guide" and "Handbook for Public Playground Safety." Copies of these reports can be obtained by sending a postcard to the: Office of Public Affairs, U.S. Consumer Product Safety Commission, Washington, D.C., 20207 or call the toll-free hotline: 1-800-638-2772.

***This data is from tests conducted by independent testing laboratories on a 6-inch depth of uncompressed shredded tire samples produced by four manufacturers. It is recommended that persons seeking to install shredded tires as a protective surface request test data from the supplier showing the critical height of the material when it was tested in accordance with ASTM F1292.

Safety Zone

Place the equipment no less than 6 ft. (1.8 m) from any structure or obstruction such as a fence, garage, house, overhanging branches, laundry lines, or electrical wires. Make sure the clearance in front of and behind the swings is at least twice the height of the swing bar. The impact surfacing needs to cover the entire recommended play area. Refer to the example below.

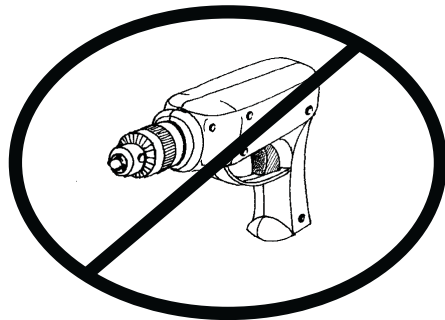


Playset dimensions:

13' 11" x 15'

Recommended play area:

29' 8" x 27'



USE AT YOUR OWN RISK!

***USING A DRILL IS NOT RECOMMENDED
FOR DRIVING BOLTS.***

***A cordless drill can be used for driving screws;
however, care should be taken not to over-tighten or strip screws.***

PARTS LIST

<u>ID</u>	<u>Item Description</u>	Qty	✓	<u>ID</u>	<u>Item Description</u>	Qty	✓
	PLAYGROUND PARTS				ADVENTURE SET PARTS KIT 2		
BEK	5' Slide	1	<input type="checkbox"/>	CBG	A-Frame Pole	2	<input type="checkbox"/>
BEO	Slide Deck	1	<input type="checkbox"/>	CRT	Fire Pole	1	<input type="checkbox"/>
	ADVENTURE SET PARTS KIT 1			CRR	Trapeze Swing Bar	1	<input type="checkbox"/>
CBI	Turn Bar	1	<input type="checkbox"/>	CBO	Swing Bar	1	<input type="checkbox"/>
CRZ	Anchor Rod	1	<input type="checkbox"/>		ADVENTURE SET PARTS KIT 3		
CRY	Slide Ladder	1	<input type="checkbox"/>	BKT	Belt Swing	3	<input type="checkbox"/>
CRQ	Slide Rail	2	<input type="checkbox"/>	BKU	Trapeze Swing	1	<input type="checkbox"/>
CWV	Monkey Bars Gusset	4	<input type="checkbox"/>	CSB	Round Foot Cap	4	<input type="checkbox"/>
CRX	Fire Pole Ladder	1	<input type="checkbox"/>	CSA	Saddle Cap	4	<input type="checkbox"/>
CSC	Monkey Bars	1	<input type="checkbox"/>	CSD	Round End Cap	5	<input type="checkbox"/>
CRS	Fire Pole Hoop	1	<input type="checkbox"/>	BZJ	Angled Foot Cap	2	<input type="checkbox"/>
CRU	Deck Support	1	<input type="checkbox"/>				

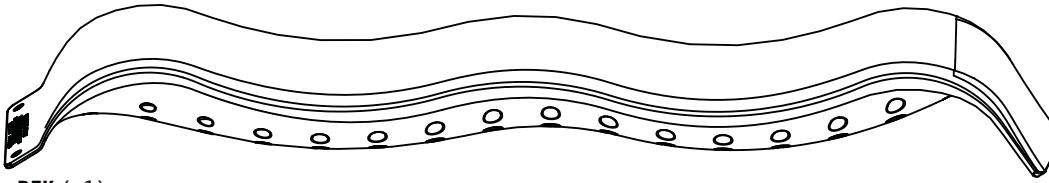
HARDWARE LIST

<u>ID</u>	<u>Item Description</u>	Qty	✓
	A-Frame Assembly Hardware		
BZK	.343" Cap Plug	4	<input type="checkbox"/>
ARQ	7/16" x 2" Button Head Bolt	6	<input type="checkbox"/>
ARP	Pendulum	6	<input type="checkbox"/>
ARR	7/16" Acorn Nut	6	<input type="checkbox"/>
ARS	7/16" Small Nylon Washer	12	<input type="checkbox"/>
ART	7/16" Large Nylon Washer	12	<input type="checkbox"/>
BTS	1/4" Barrel Nut	6	<input type="checkbox"/>
BZO	1/4" x 3" Shoulder Bolt	6	<input type="checkbox"/>
CCL	3/16" Allen Wrench	2	<input type="checkbox"/>
ASP	1/4" Allen Wrench	1	<input type="checkbox"/>
	Monkey Bars Assembly Hardware		
BZK	.343" Cap Plug	10	<input type="checkbox"/>
ARQ	7/16" x 2" Button Head Bolt	2	<input type="checkbox"/>
ARP	Pendulum	2	<input type="checkbox"/>
ARR	7/16" Acorn Nut	2	<input type="checkbox"/>
ARS	7/16" Small Nylon Washer	4	<input type="checkbox"/>
ART	7/16" Large Nylon Washer	4	<input type="checkbox"/>
BTS	1/4" Barrel Nut	22	<input type="checkbox"/>
BZO	1/4" x 3" Shoulder Bolt	22	<input type="checkbox"/>
	Slide Assembly Hardware		
BTS	1/4" Barrel Nut	8	<input type="checkbox"/>
BZO	1/4" x 3" Shoulder Bolt	4	<input type="checkbox"/>
BZN	1/4" x 1 1/2" Shoulder Bolt	4	<input type="checkbox"/>
ARX	5/16" x 1 1/4" Button Head Bolt	3	<input type="checkbox"/>
ARM	5/16" Acorn Nut	3	<input type="checkbox"/>
ARL	1/4" Washer	6	<input type="checkbox"/>
CVZ	5/16" Washer	4	<input type="checkbox"/>
	Fire Pole Assembly Hardware		
BTS	1/4" Barrel Nut	3	<input type="checkbox"/>
BZO	1/4" x 3" Shoulder Bolt	2	<input type="checkbox"/>
BZN	1/4" x 1 1/2" Shoulder Bolt	1	<input type="checkbox"/>

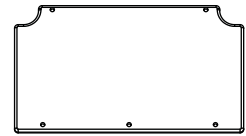
PARTS IDENTIFIER

ADVENTURE SET PARTS

Part shown at 5% of actual size



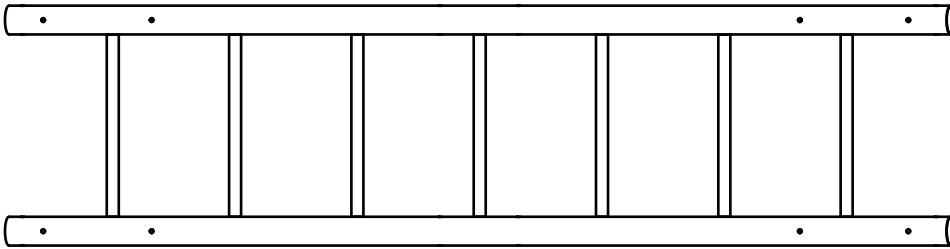
BEK (x1)
5' Slide



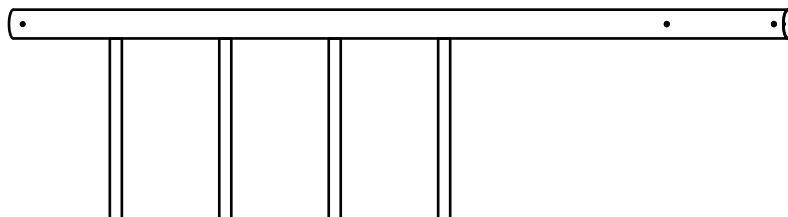
BE0 (x1)
Slide Deck

ADVENTURE SET PARTS KIT 1 [CVM]

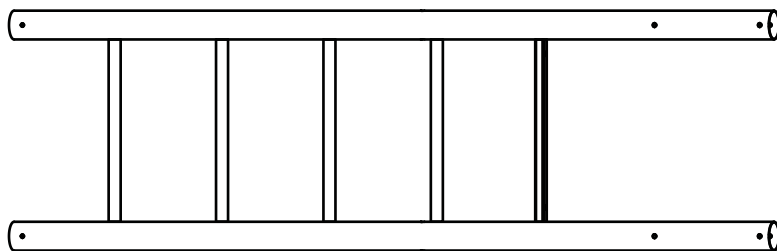
Parts shown at 5% of actual size



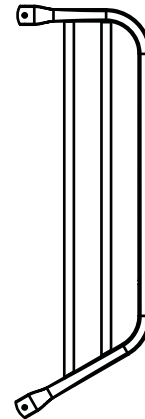
CSC (x1)
Monkey Bars



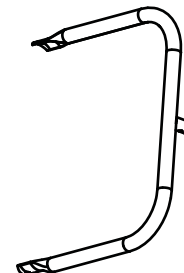
CRX (x1)
Fire Pole Ladder



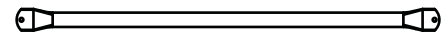
CRY (x1)
Slide Ladder



CRQ (x2)
Slide Rail

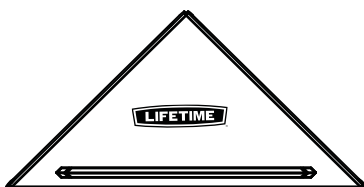


CRS (x1)
Fire Pole Hoop



CBI (x1)
Turn Bar

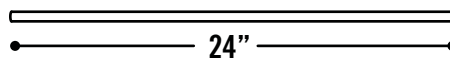
Parts shown at 10% of actual size



CWV (x4)
Monkey Bars Gusset



CRU (x1)
Deck Support

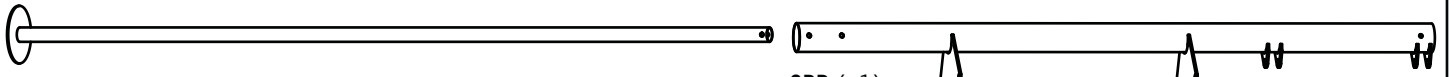


CRZ (x1)
Anchor Rod

PARTS IDENTIFIER

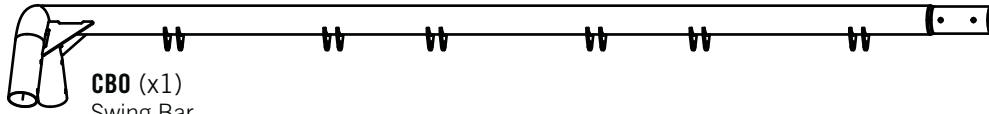
ADVENTURE SET PARTS KIT 2 [CVN]

Parts shown at 5% of actual size

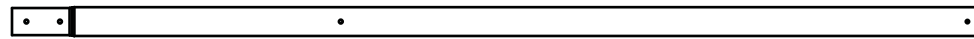


CRT (x1)
Fire Pole

CRR (x1)
Trapeze Swing Bar



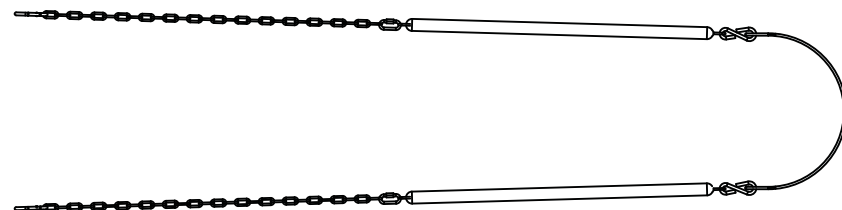
CBO (x1)
Swing Bar



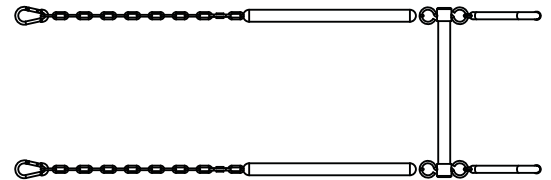
CBG (x2)
A-Frame Pole

ADVENTURE SET PARTS KIT 3 [CVO]

Parts shown at 5% of Actual Size

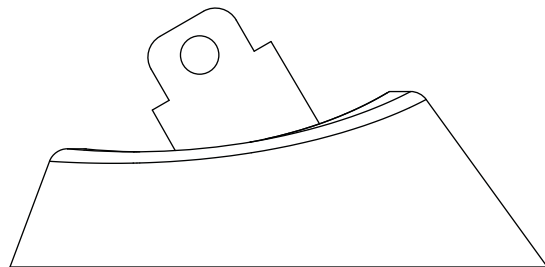


BKT (x3)
Belt Swing

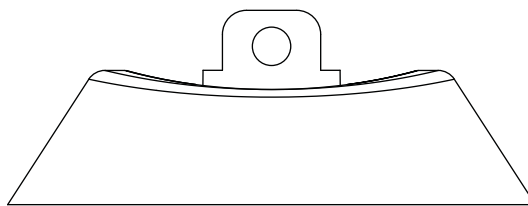


BKU (x1)
Trapeze Swing

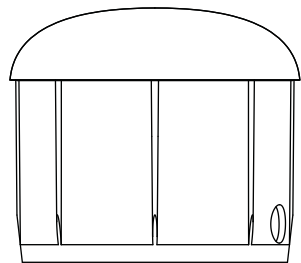
Parts shown at 50% of Actual Size



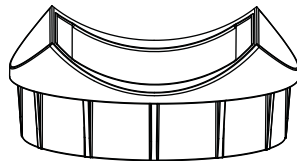
BZJ (x2)
A-Frame Foot Cap



CSB (x4)
Round Foot Cap



CSD (x5)
Round End Cap

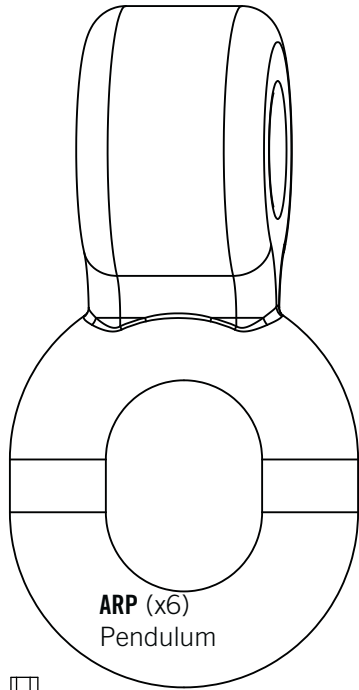


CSA (x4)
Saddle Cap

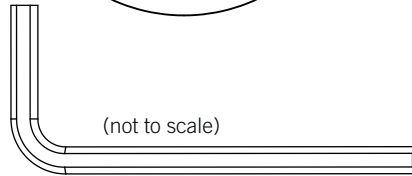
HARDWARE IDENTIFIER

A-FRAME ASSEMBLY HARDWARE [CAM]

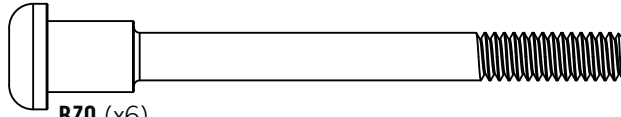
Hardware shown at Actual Size



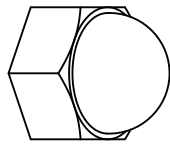
ARP (x6)
Pendulum



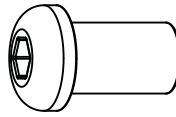
ASP (x1)
1/4" Allen Wrench



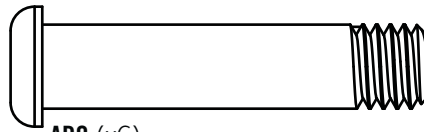
BZO (x6)
1/4" x 3" Shoulder Bolt



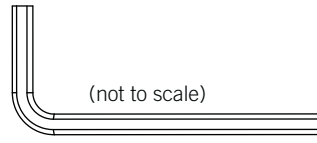
ARR (x6)
7/16" Acorn Nut



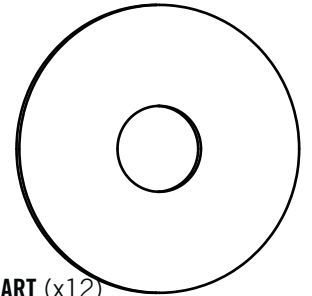
BTS (x6)
1/4" Barrel Nut



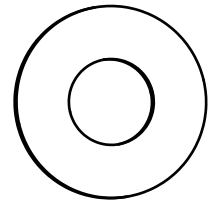
ARQ (x6)
7/16" x 2" Button Head Bolt



CCL (x2)
3/16" Allen Wrench



ART (x12)
7/16" Large Nylon Washer



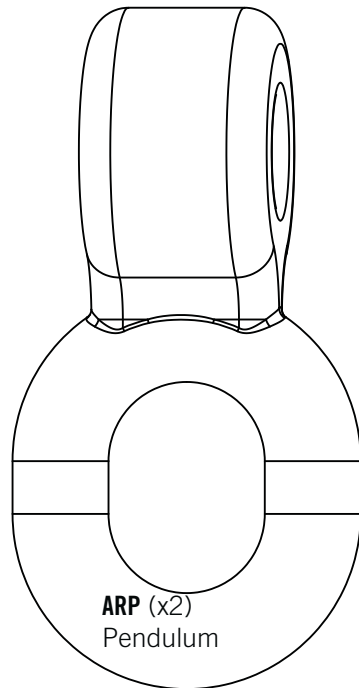
ARS (x12)
7/16" Small Nylon Washer



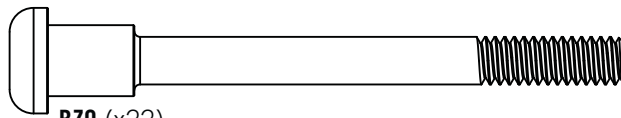
BZK (x4)
.343 Cap Plug

MONKEY BARS ASSEMBLY HARDWARE [CVH]

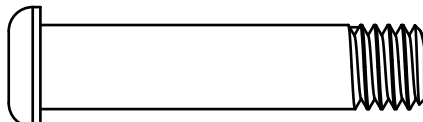
Hardware shown at Actual Size



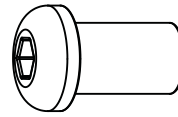
ARP (x2)
Pendulum



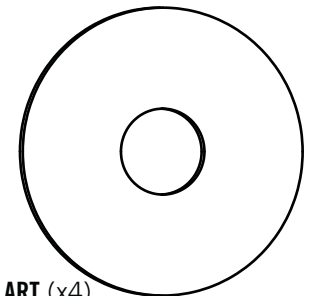
BZO (x22)
1/4" x 3" Shoulder Bolt



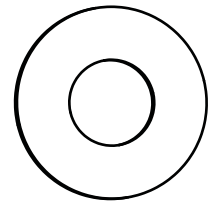
ARQ (x2)
7/16" x 2" Button Head Bolt



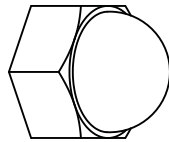
BTS (x22)
1/4" Barrel Nut



ART (x4)
7/16" Large Nylon Washer



ARS (x4)
7/16" Small Nylon Washer



ARR (x2)
7/16" Acorn Nut

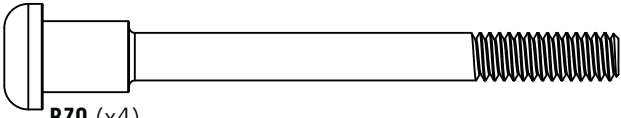


BZK (x10)
.343" Cap Plug

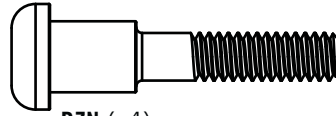
HARDWARE IDENTIFIER

SLIDE ASSEMBLY HARDWARE [CAH]

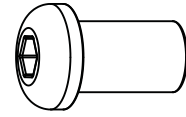
Hardware shown at Actual Size



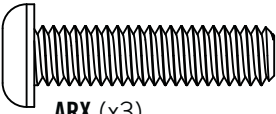
BZO (x4)
1/4" x 3" Shoulder Bolt



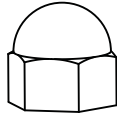
BZN (x4)
1/4" x 1 1/2" Shoulder Bolt



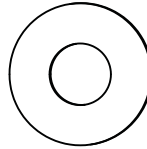
BTS (x8)
1/4" Barrel Nut



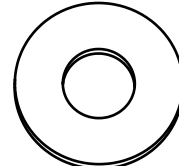
ARX (x3)
5/16" x 1 1/4" Button Head Bolt



ARM (x3)
5/16" Acorn Nut



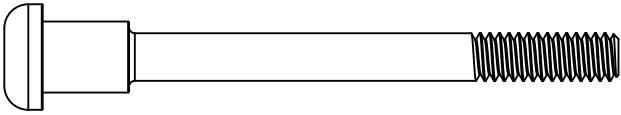
ARL (x6)
1/4" Washer



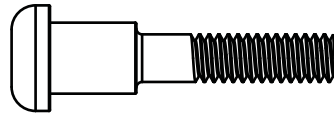
CVZ (x4)
5/16" Washer

FIRE POLE AND SWING ASSEMBLY HARDWARE [CVI]

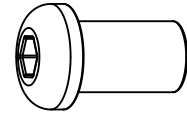
Hardware shown at Actual Size



BZO (x2)
1/4" x 3" Shoulder Bolt



BZN (x1)
1/4" x 1 1/2" Shoulder Bolt



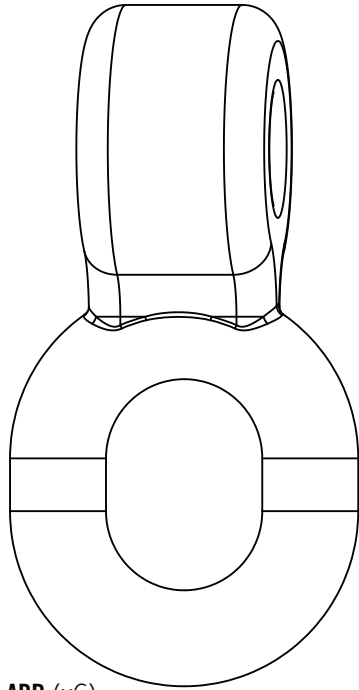
BTS (x3)
1/4" Barrel Nut

SEC 1 A-FRAME ASSEMBLY

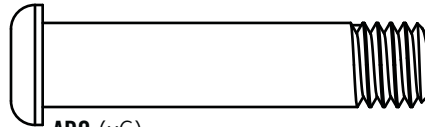
HARDWARE REQUIRED

A-FRAME ASSEMBLY HARDWARE BAG [CAM]

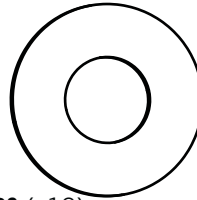
Hardware shown at actual size



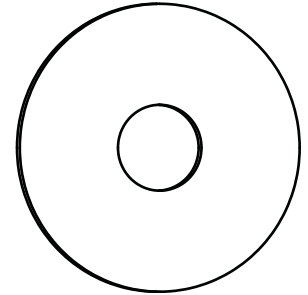
ARP (x6)
Pendulum



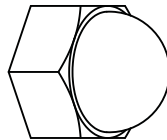
ARQ (x6)
7/16" x 2" Button Head Bolt



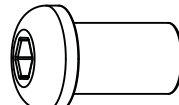
ARS (x12)
7/16" Small Nylon Washer



ART (x12)
7/16" Large Nylon Washer



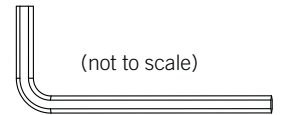
ARR (x6)
7/16" Acorn Nut



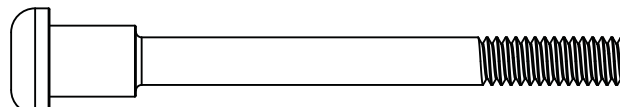
BTS (x6)
1/4" Barrel Nut



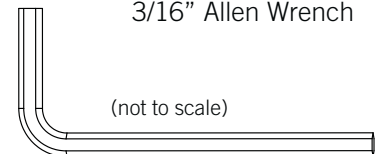
BZK (x4)
.343 Cap Plug



CCL (x2)
3/16" Allen Wrench
(not to scale)



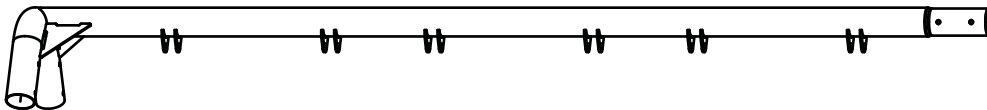
BZO (x6)
1/4" x 3" Shoulder Bolt



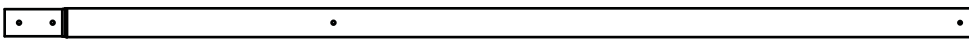
ASP (x1)
1/4" Allen Wrench
(not to scale)

PARTS REQUIRED

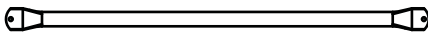
Parts shown at 5% of Actual Size



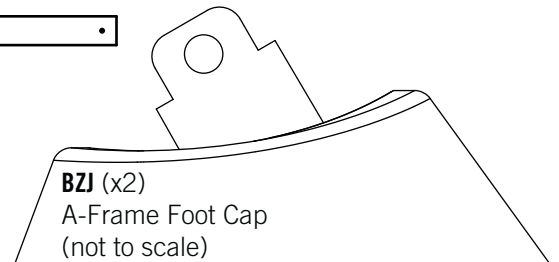
CBO (x1)
Swing Bar



CBG (x2)
A-Frame Pole

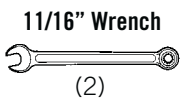


CBI (x1)
Turn Bar



BZJ (x2)
A-Frame Foot Cap
(not to scale)

TOOLS REQUIRED



(2)



(2, included)

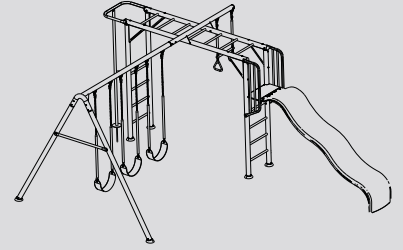
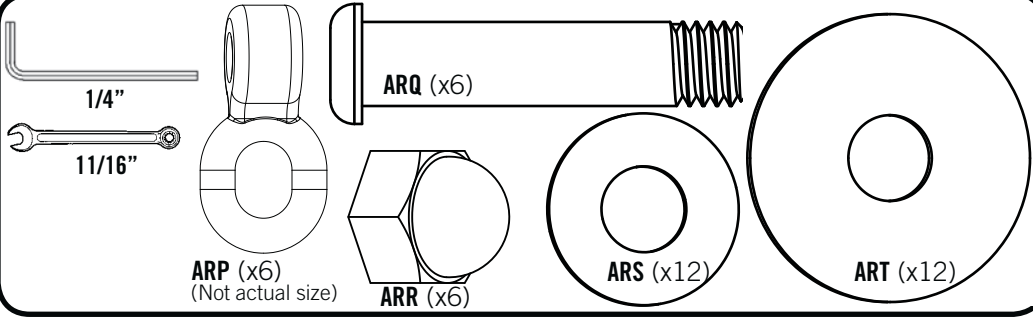


(1, included)



TOOLS AND HARDWARE REQUIRED FOR THIS PAGE

SEC 1

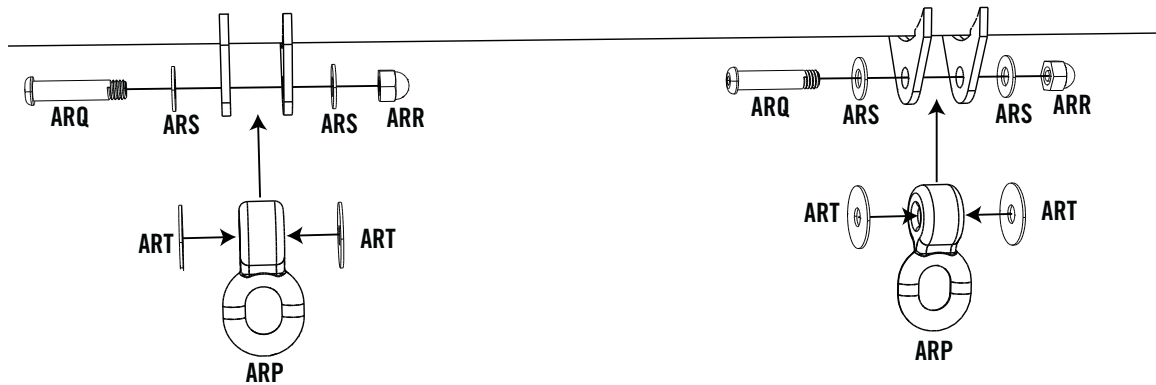


SEC

1.1

Attach the **Pendulums (ARP)** to the **Swing Bar (CBO)** using the hardware shown. Position the **7/16" Large Nylon Washers (ART)** between the Pendulum and the brackets. **Do this for each set of brackets on the Swing Bar.**

CBO

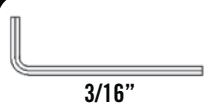


Note: Do not overtighten the hardware. Pendulums should pivot on Bolt (ARQ).

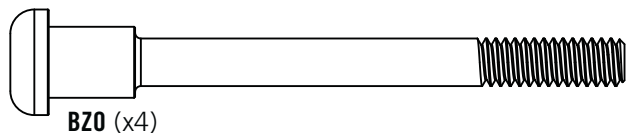


TOOLS AND HARDWARE REQUIRED FOR THIS PAGE

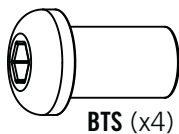
SEC 1



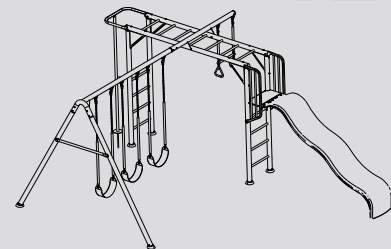
3/16"



BZO (x4)



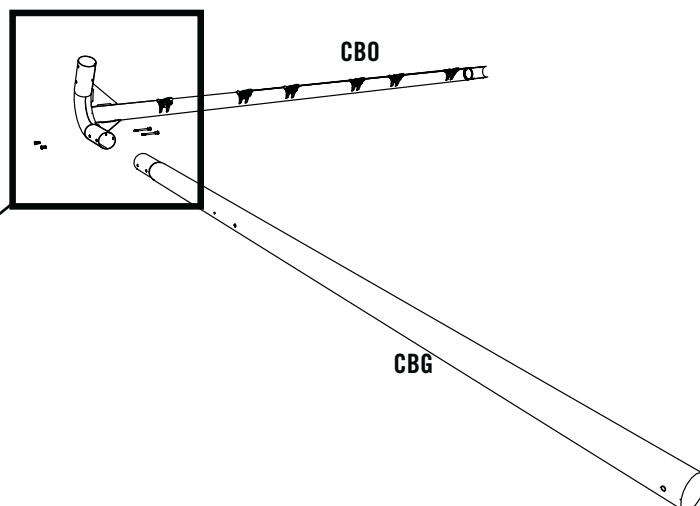
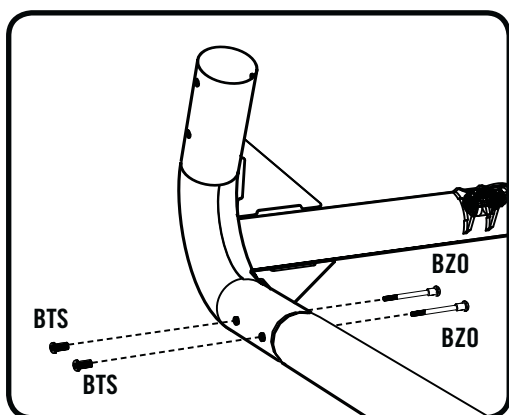
BTS (x4)



SEC

1.2

Attach an A-Frame Pole (CBG) to the Swing Bar (CBO) in the location indicated.

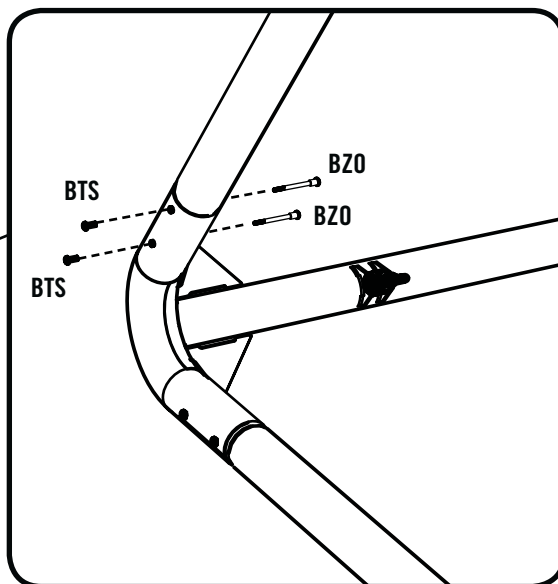
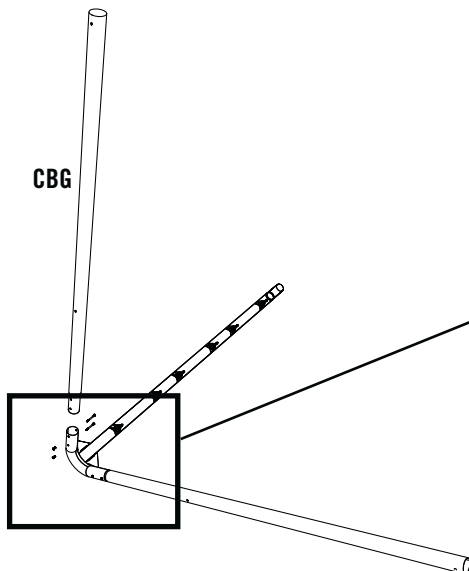


Note: If your A-Frame pole has a dimpled hole, make sure the dimpled hole faces away from the Swing Bar.

SEC

1.3

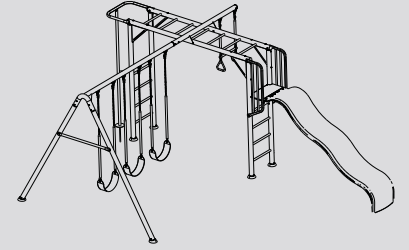
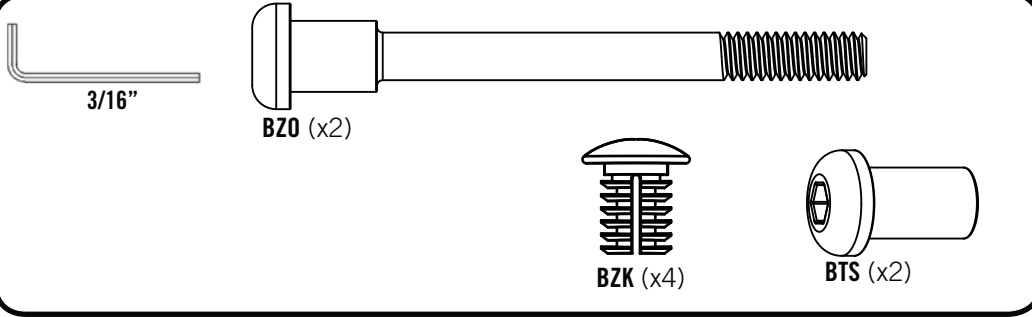
Repeat step 1.2 to attach the remaining A-Frame Pole (CBG) to the Swing Bar (CBO).





TOOLS AND HARDWARE REQUIRED FOR THIS PAGE

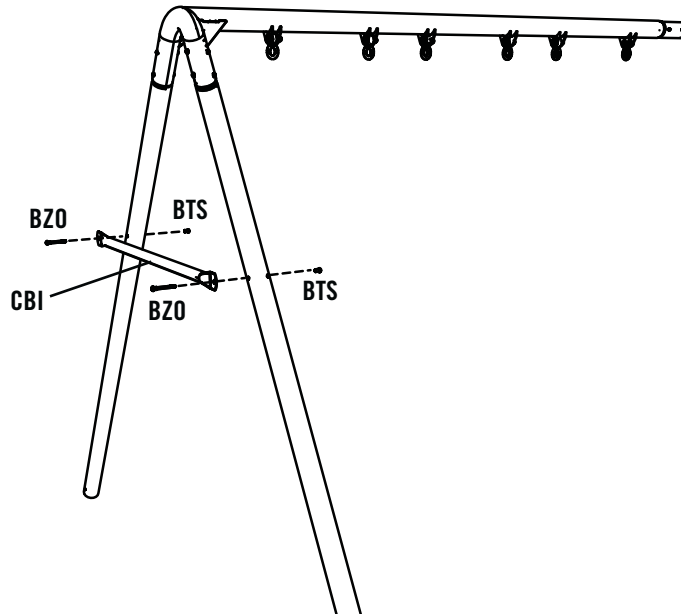
SEC 1



SEC

1.4

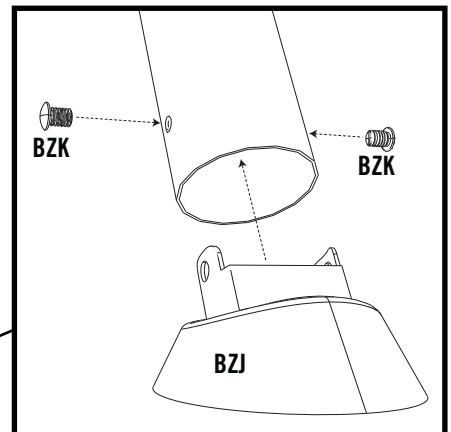
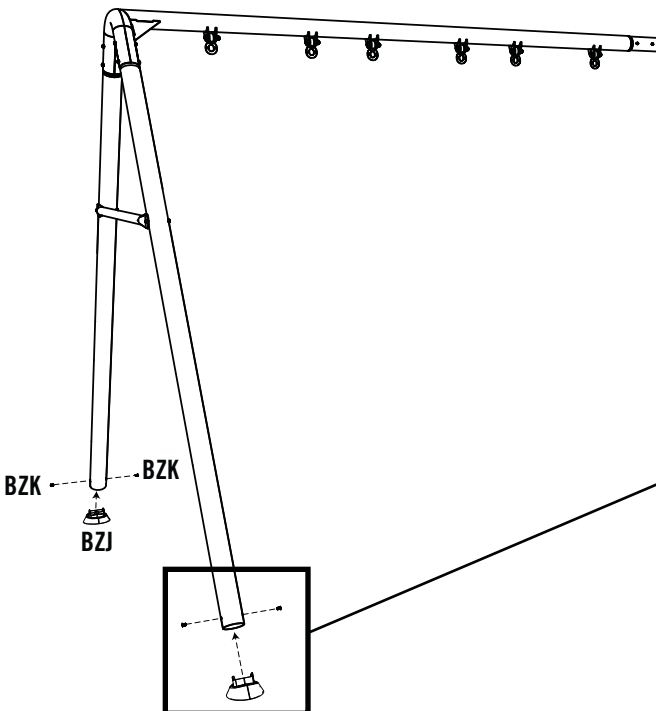
Attach the **Turn Bar (CBI)** to the A-Frame Assembly using the hardware shown.



SEC

1.5

Have one person hold the A-Frame assembly steady as another lifts each leg. Attach the **A-Frame Foot Caps (BZJ)** and secure them with the **Cap Plugs (BZK)**. Rest the assembly on the ground once this step is complete.

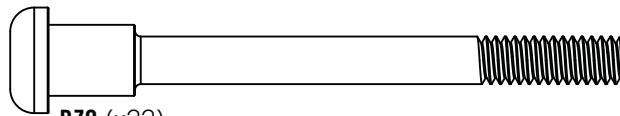
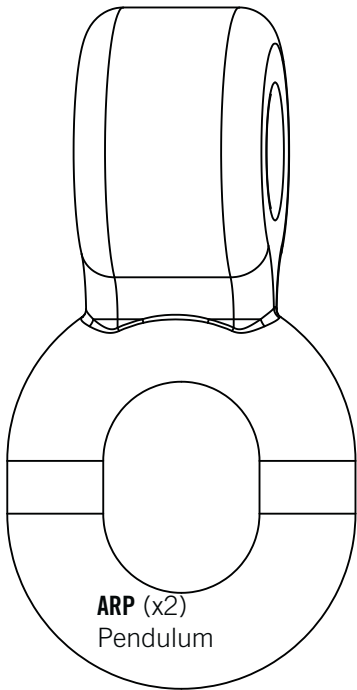


SEC 2 MONKEY BARS ASSEMBLY

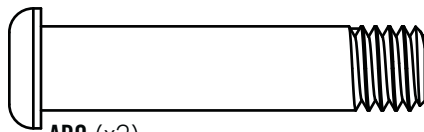
HARDWARE REQUIRED

MONKEY BARS ASSEMBLY HARDWARE BAG [CVH]

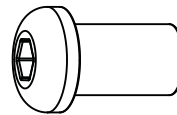
Hardware shown at Actual Size



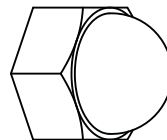
BZO (x22)
1/4" x 3" Shoulder Bolt



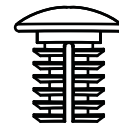
ARQ (x2)
7/16" x 2" Button
Head Bolt



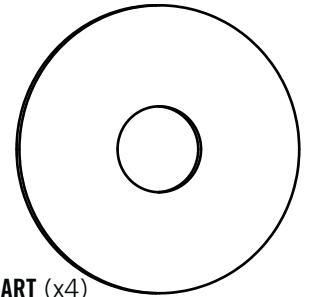
BTS (x22)
1/4" Barrel Nut



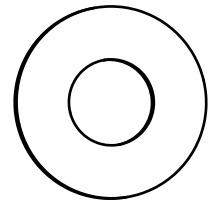
ARR (x2)
7/16" Acorn Nut



BZK (x10)
.343" Cap Plug



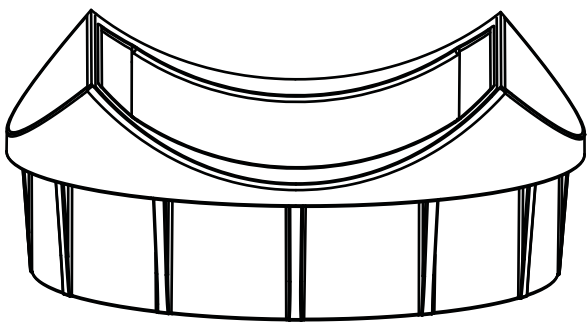
ART (x4)
7/16" Large Nylon Washer



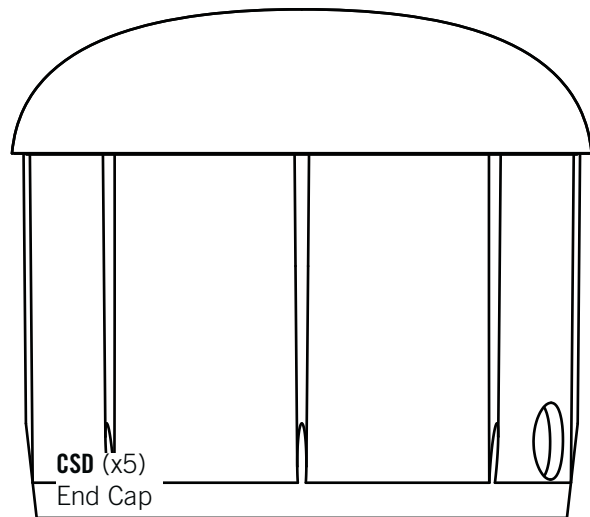
ARS (x4)
7/16" Small
Nylon Washer

PARTS REQUIRED

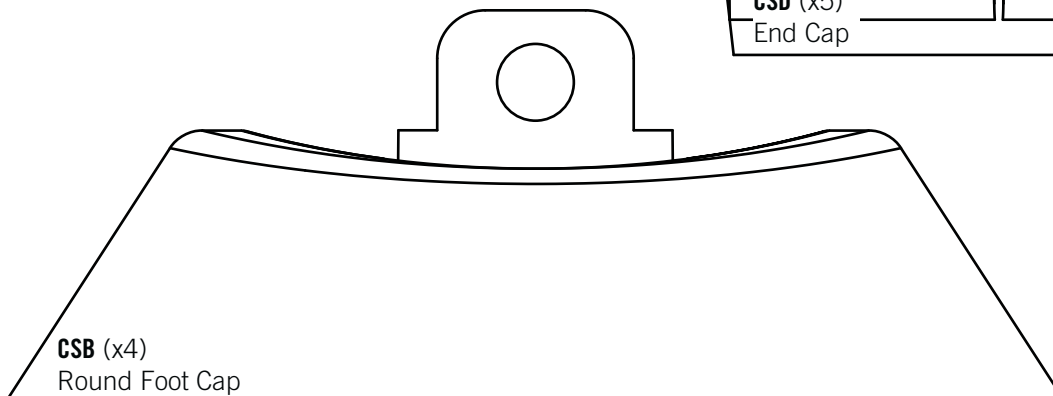
Parts shown at Actual Size



CSA (x4)
Saddle Cap



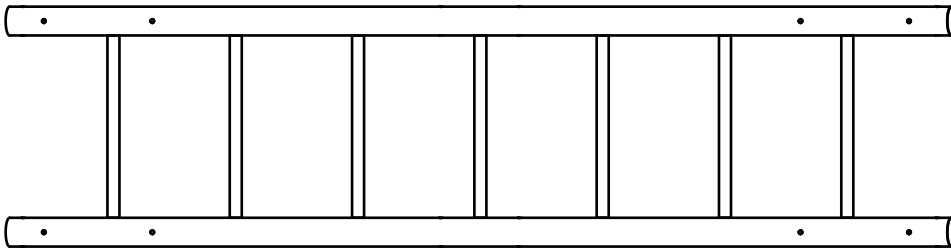
CSD (x5)
End Cap



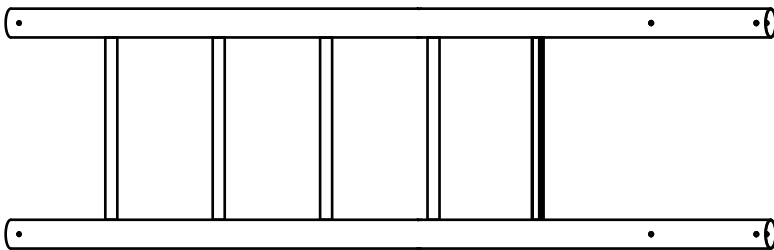
CSB (x4)
Round Foot Cap

PARTS REQUIRED

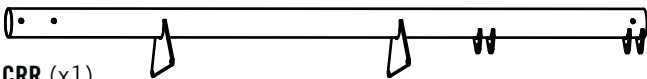
Parts shown at 5% of actual size



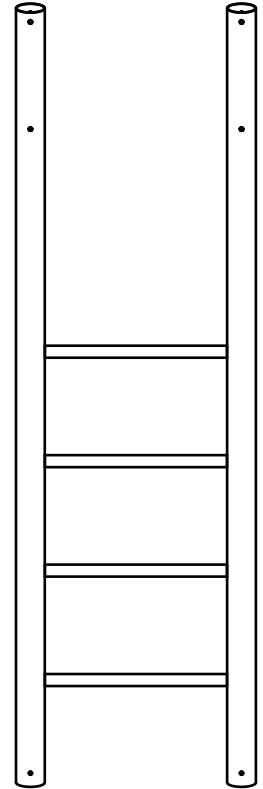
CSC (x1)
Monkey Bars



CRY (x1)
Slide Ladder

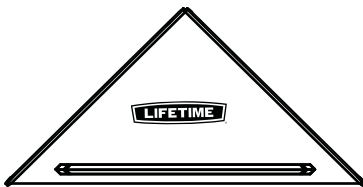


CRR (x1)
Trapeze Swing Bar



CRX (x1)
Fire Pole Ladder

Parts shown at 10% of actual size



CWV (x4)
Monkey Bars Gusset

TOOLS REQUIRED

11/16" Wrench



(1)

3/16" Allen Wrench



(2, included)

1/4" Allen Wrench



(1, included)

Ladder

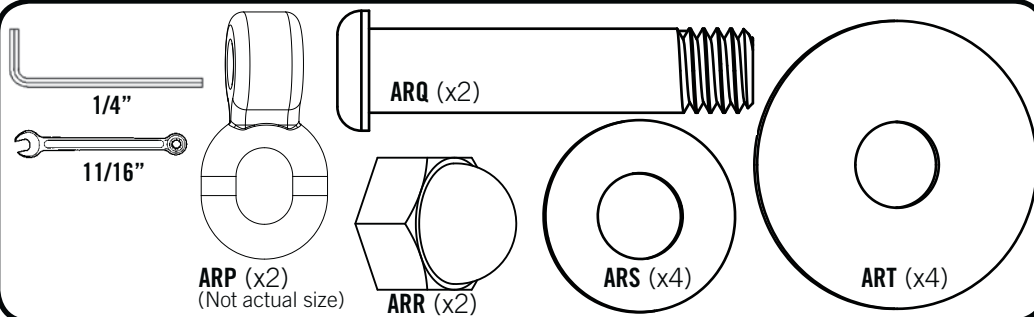


(1)



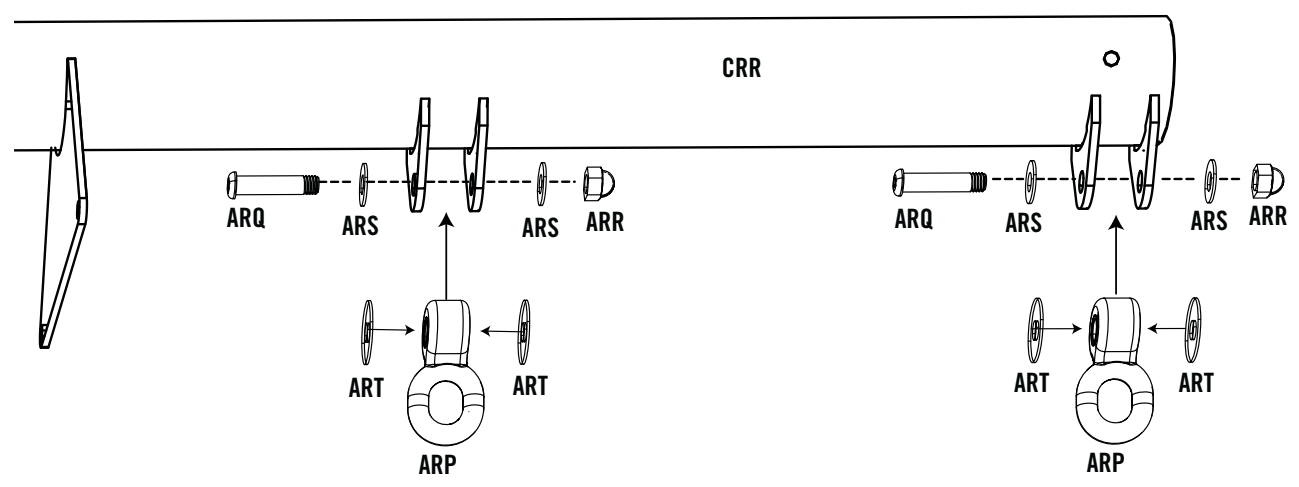
TOOLS AND HARDWARE REQUIRED FOR THIS PAGE

SEC 2



SEC 2.1

Attach the **Pendulums (ARP)** to the **Trapeze Swing Bar (CRR)** with the hardware shown.

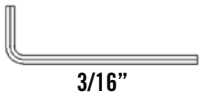


! Note: Do not overtighten the hardware. Pendulums should pivot on Bolt (ARQ).

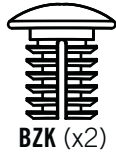


TOOLS AND HARDWARE REQUIRED FOR THIS PAGE

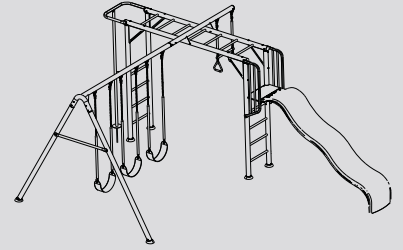
SEC 2



3/16"



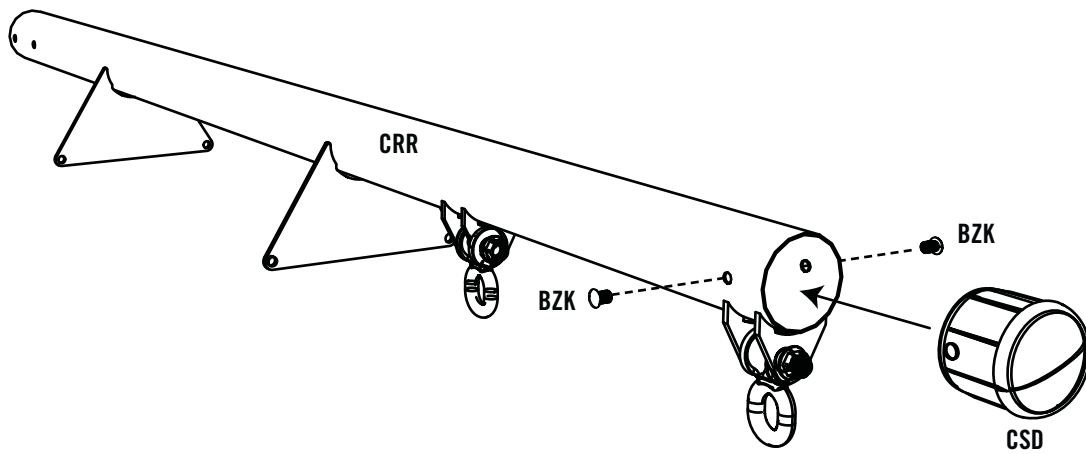
BZK (x2)



SEC

2.2

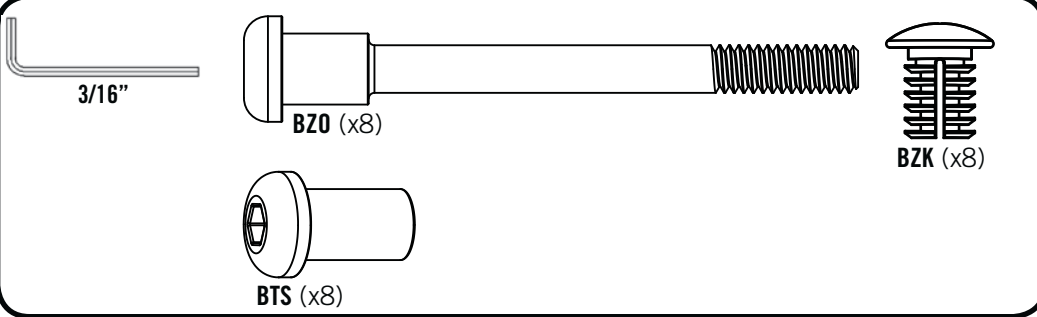
Attach the **End Cap (CSD)** to the **Trapeze Swing Bar (CRR)**. Secure the End Cap with two (2) **.343 Cap Plugs (BZK)**.





TOOLS AND HARDWARE REQUIRED FOR THIS PAGE

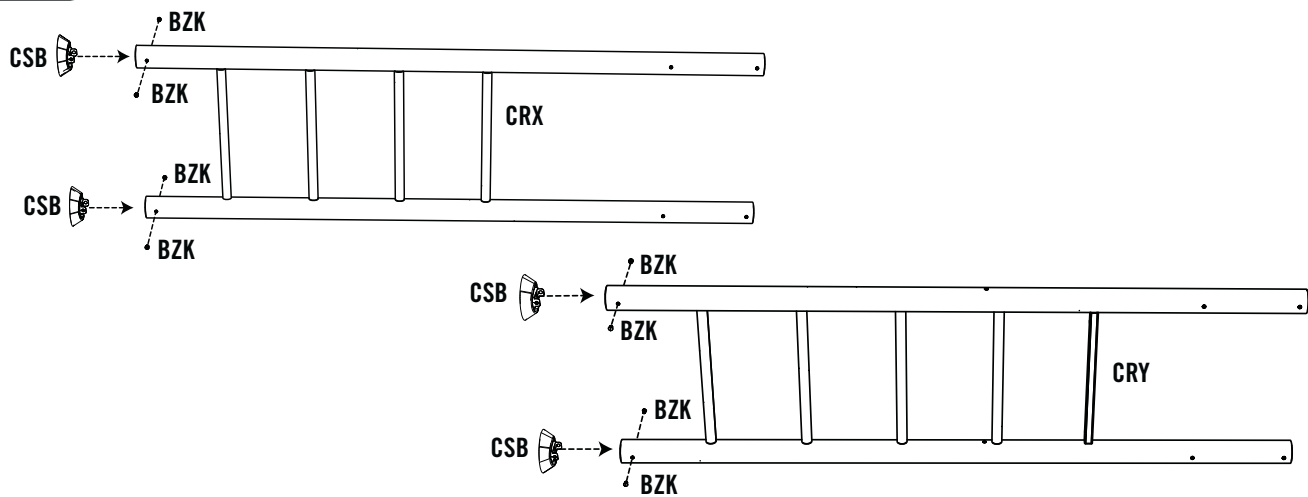
SEC 2



SEC

2.3

Attach the **Round Foot Caps (CBB)** to the **Fire Pole Ladder (CRX)** and **Slide Ladder (CRY)** at the locations shown. Secure the Round Foot Caps with **.343" Cap Plugs (BZK)**.

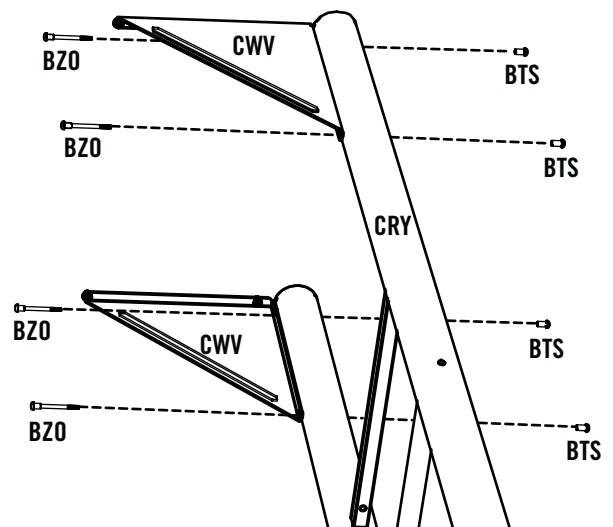
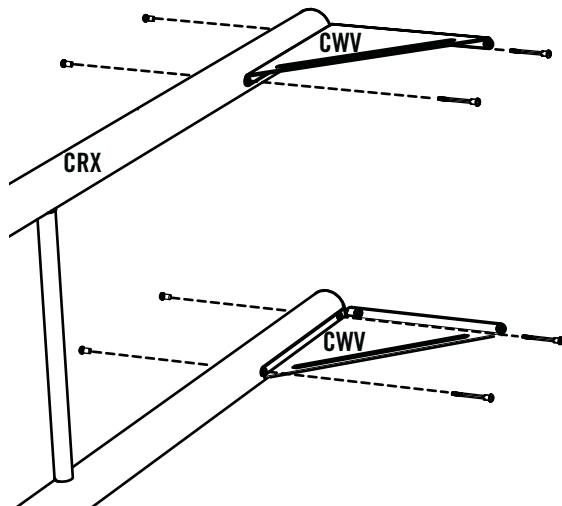


Note: Make sure the holes in each Cap line up with the holes in the tubes of each Ladder.

SEC

2.4

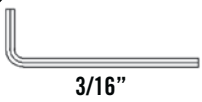
Attach two (2) **Monkey Bar Gussets (CWV)** to one end of the **Fire Pole Ladder (CRX)** using the hardware shown. Make sure the lip on the Gusset faces inward as illustrated. Repeat this step to attach the remaining two (2) Monkey Bar Gussets to the **Slide Ladder (CRY)**.



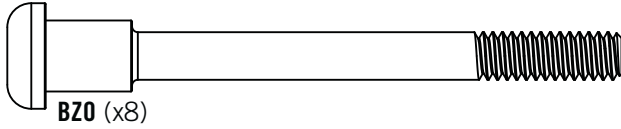


TOOLS AND HARDWARE REQUIRED FOR THIS PAGE

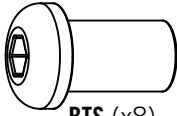
SEC 2



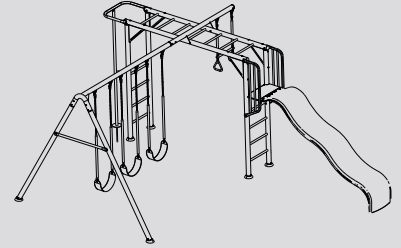
3/16"



BZO (x8)



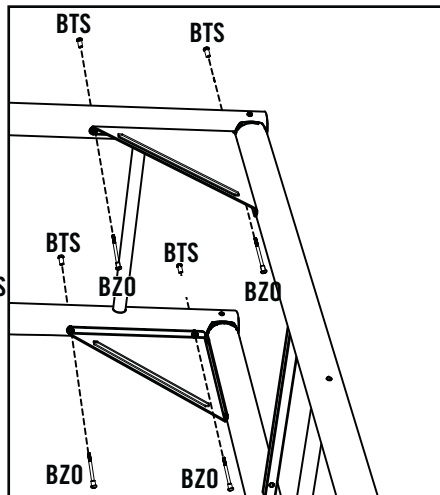
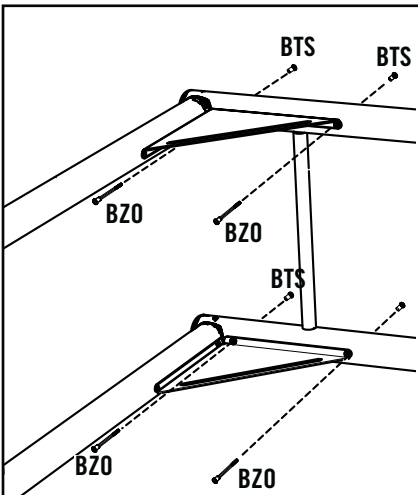
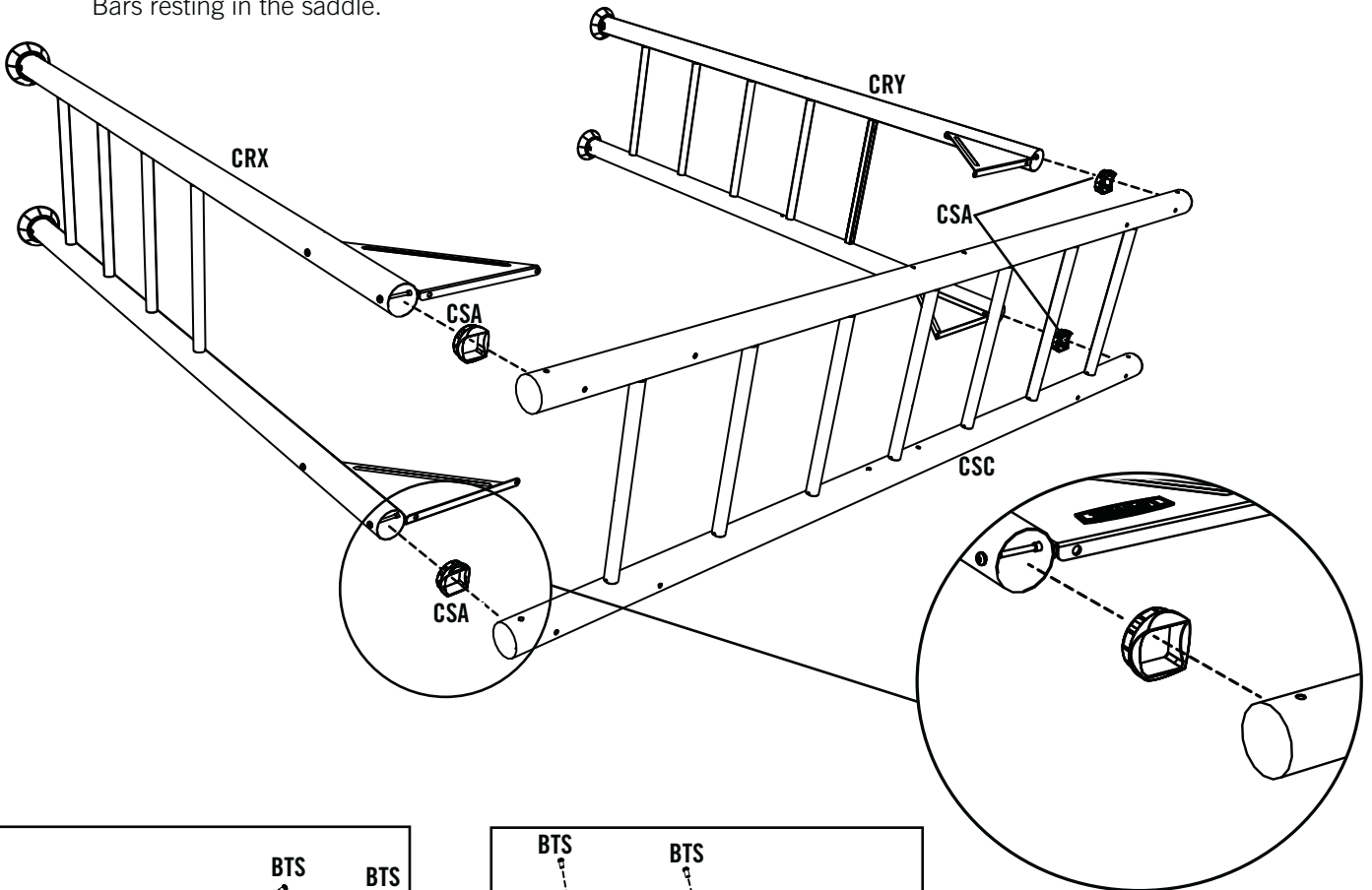
BTS (x8)



SEC

2.5

Attach the **Saddle Caps (CSA)** to the **Fire Pole Ladder (CRX)** and the **Slide Ladder (CRY)**, then attach the Ladders to the **Monkey Bars (CSC)** using the hardware shown. Make sure the Saddle Caps are oriented as shown, with the Monkey Bars resting in the saddle.

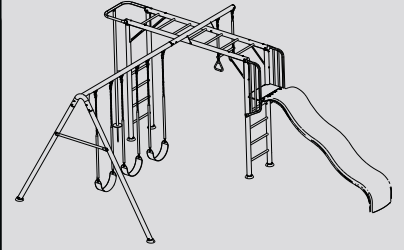




TOOLS AND HARDWARE REQUIRED FOR THIS PAGE

SEC 2

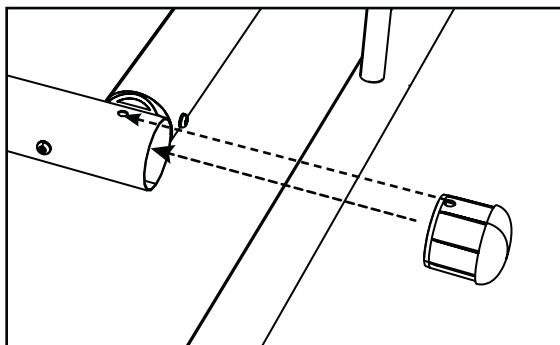
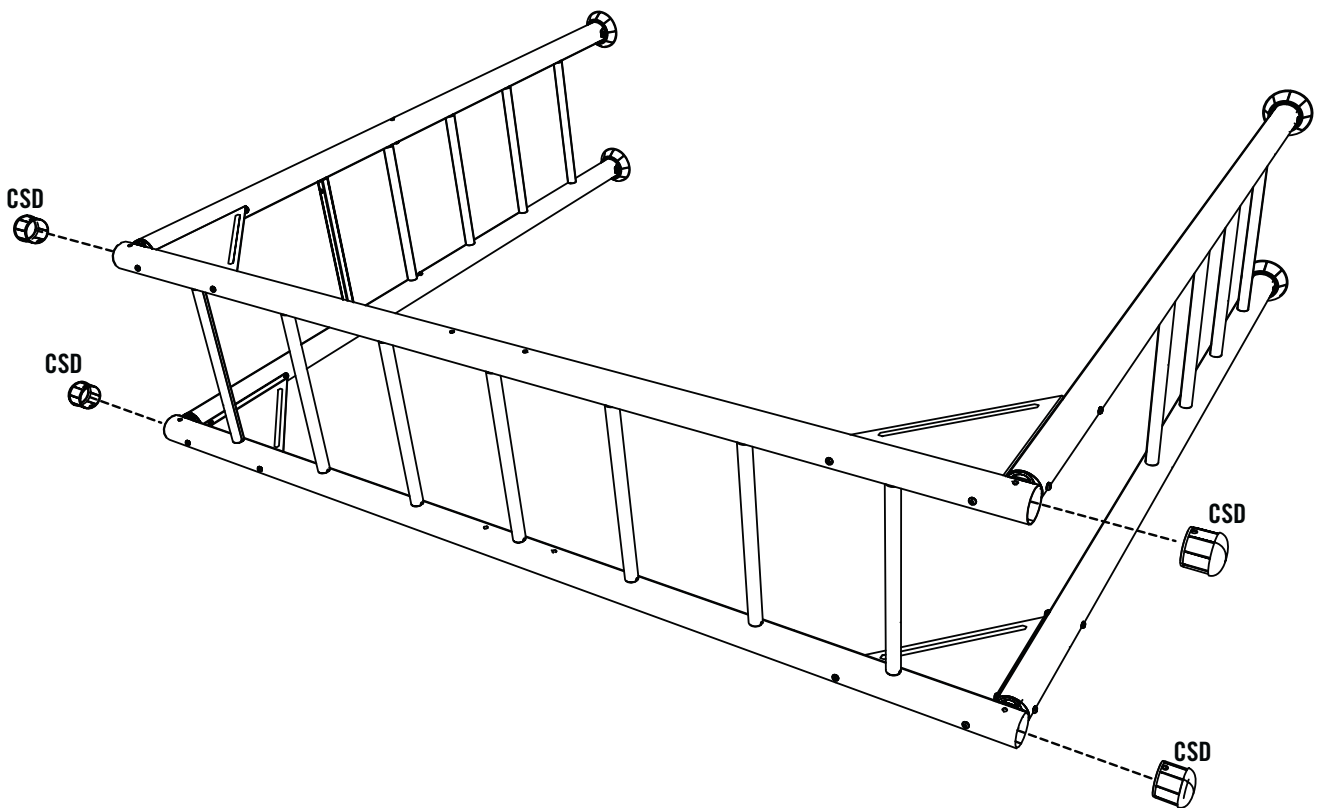
NO TOOLS OR HARDWARE REQUIRED FOR THIS PAGE



SEC

2.6

Insert the **End Caps (CSD)** into the openings at each end of the poles on the Monkey Bars Assembly.

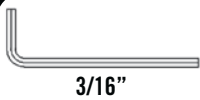


Note: Make sure the holes in each End Cap line up with the holes in the tubes of the Monkey Bars.

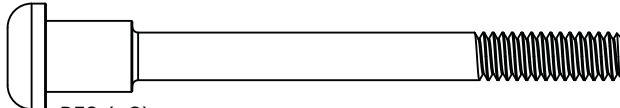


TOOLS AND HARDWARE REQUIRED FOR THIS PAGE

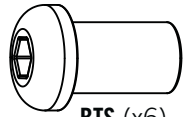
SEC 2



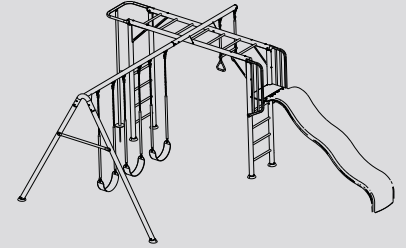
3/16"



BZO (x6)



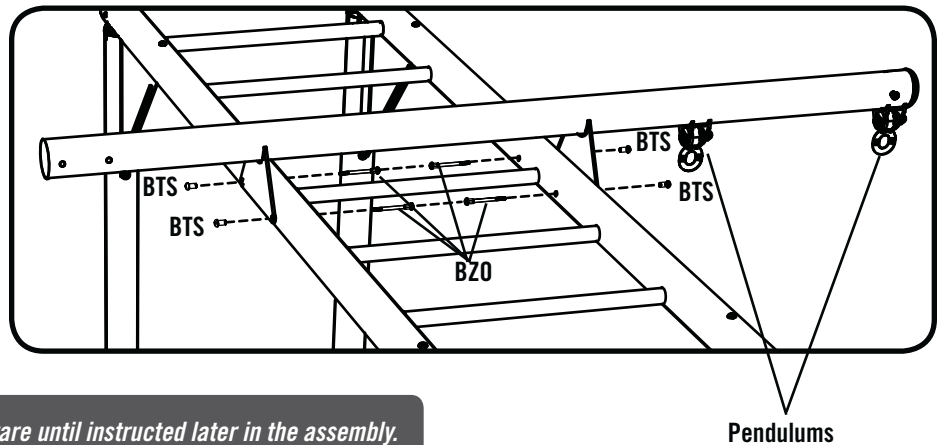
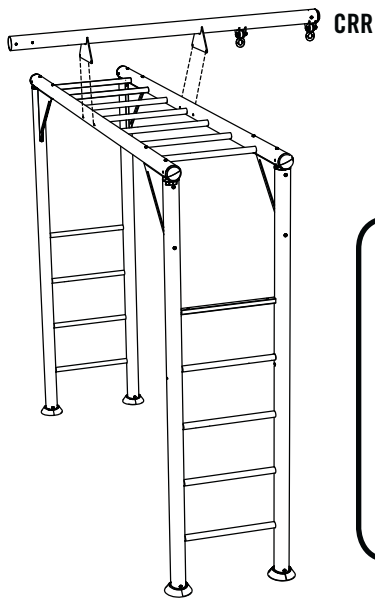
BTS (x6)



SEC

2.7

Stand the assembly on its feet. Using a ladder, attach the the **Trapeze Swing Bar (CRR)** to the Monkey Bars Assembly with the hardware shown. **Install the hardware nearest to the Pendulums first.**

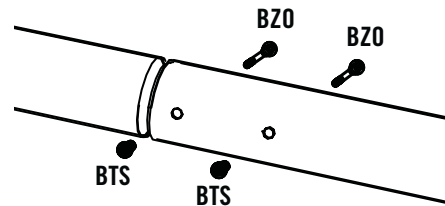


Note: Do not completely tighten the hardware until instructed later in the assembly.

SEC

2.8

Have one person hold the A-Frame Swing Assembly in position. Standing carefully on a ladder, attach the the A-Frame Assembly to the Monkey Bar Assembly using the hardware shown. Tighten all hardware from this section before continuing to the next section.



Note: Tighten all hardware now.



WARNING

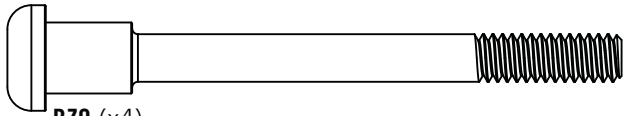
Use extreme caution when standing on ladders to perform assembly steps. Follow all warnings and cautions on the ladder. Failure to follow all of these instructions and warnings could lead to serious personal injury or property damage.

SEC 3 SLIDE ASSEMBLY

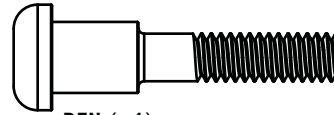
HARDWARE REQUIRED

SLIDE ASSEMBLY HARDWARE BAG [CAH]

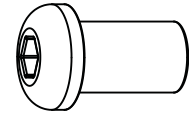
Hardware shown at Actual Size



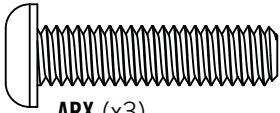
BZO (x4)
1/4" x 3" Shoulder Bolt



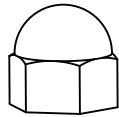
BZN (x4)
1/4" x 1 1/2" Shoulder Bolt



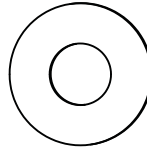
BTS (x8)
1/4" Barrel Nut



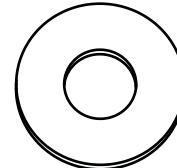
ARX (x3)
5/16" x 1 1/4" Shoulder Bolt



ARM (x3)
5/16" Acorn Nut



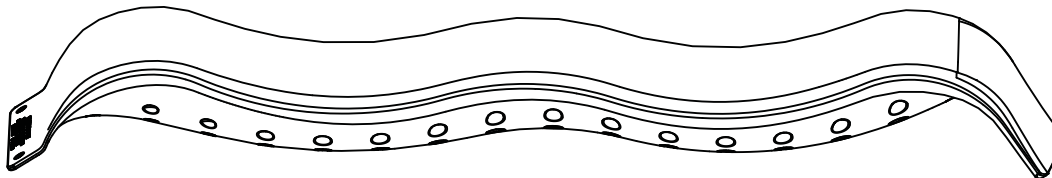
ARL (x6)
1/4" Washer



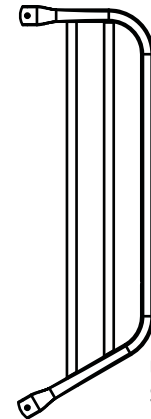
CVZ (x4)
5/16" Washer

PARTS REQUIRED

Hardware shown at 5% of Actual Size

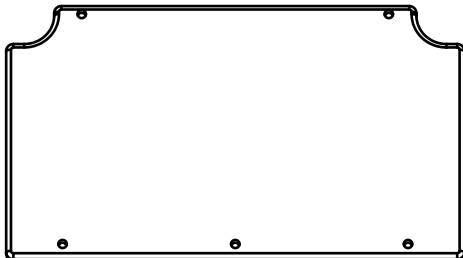


BEK (x1)
5' Slide



CRQ (x2)
Slide Rail

Hardware shown at 10% of Actual Size



BEO (x1)
Slide Deck



CRU (x1)
Deck Support

TOOLS REQUIRED

3/16" Allen Wrench



(2, included)

1/2" Wrench

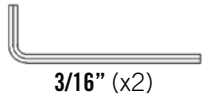


(1)

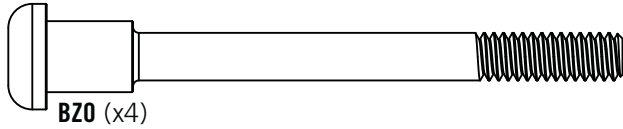


TOOLS AND HARDWARE REQUIRED FOR THIS PAGE

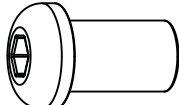
SEC 3



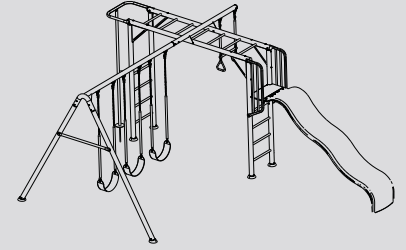
3/16" (x2)



BZO (x4)



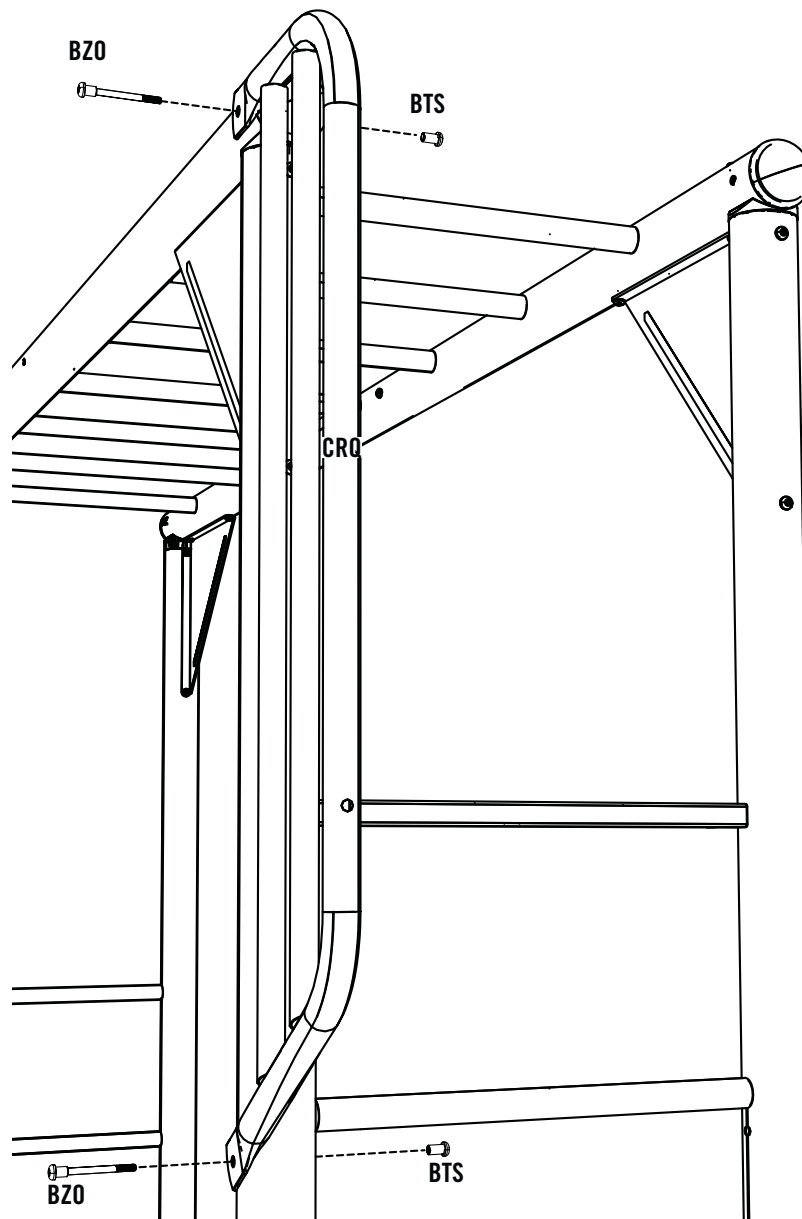
BTS (x4)



SEC

3.1

Attach a **Slide Rail (CRQ)** to the Slide Ladder in the position shown. **Repeat this step for the other Slide Rail.**

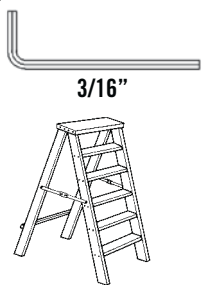


Note: Do not completely tighten the hardware until instructed later in the assembly.

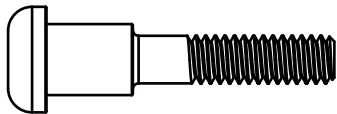


TOOLS AND HARDWARE REQUIRED FOR THIS PAGE

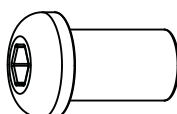
SEC 3



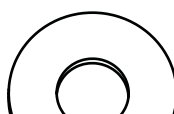
3/16"



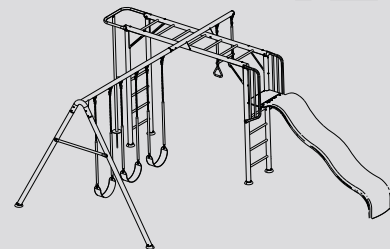
BZN (x4)



BTS (x4)



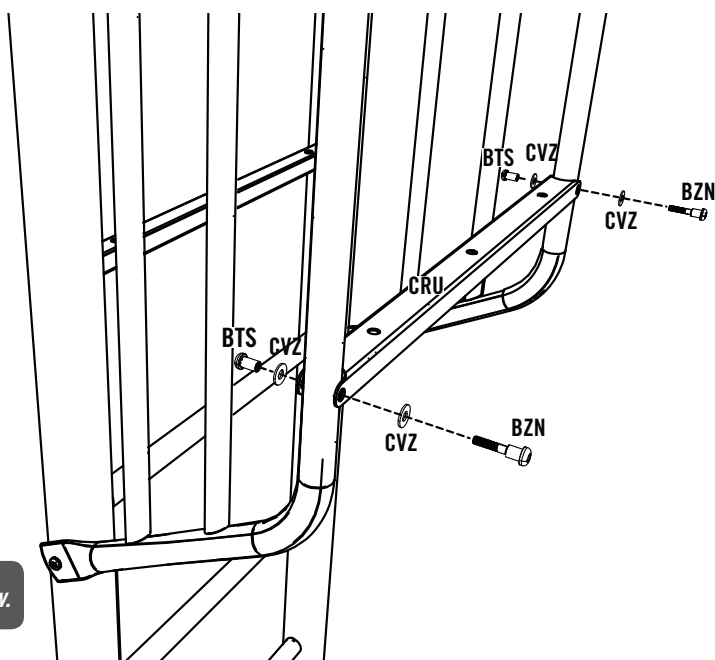
CVZ (x4)



SEC

3.2

Secure the **Deck Support (CRU)** to the Slide Rails using the hardware shown. Tighten this hardware and the hardware from Sec 3.1.

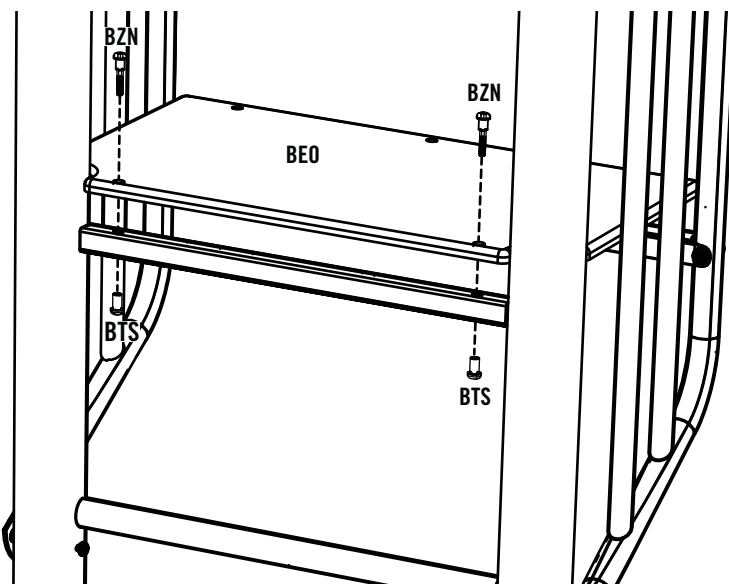


Note: Tighten all hardware now.

SEC

3.3

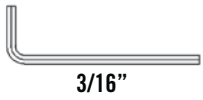
Place the **Slide Deck (BEO)** onto the Deck Support and secure with the hardware shown.



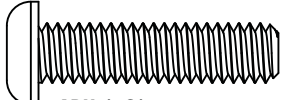


TOOLS AND HARDWARE REQUIRED FOR THIS PAGE

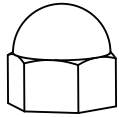
SEC 3



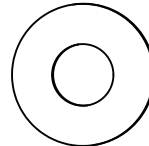
3/16"



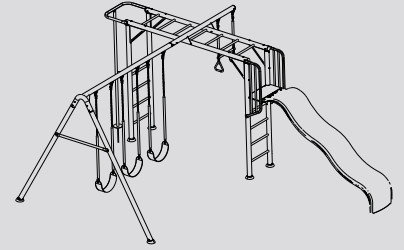
ARX (x3)



ARM (x3)



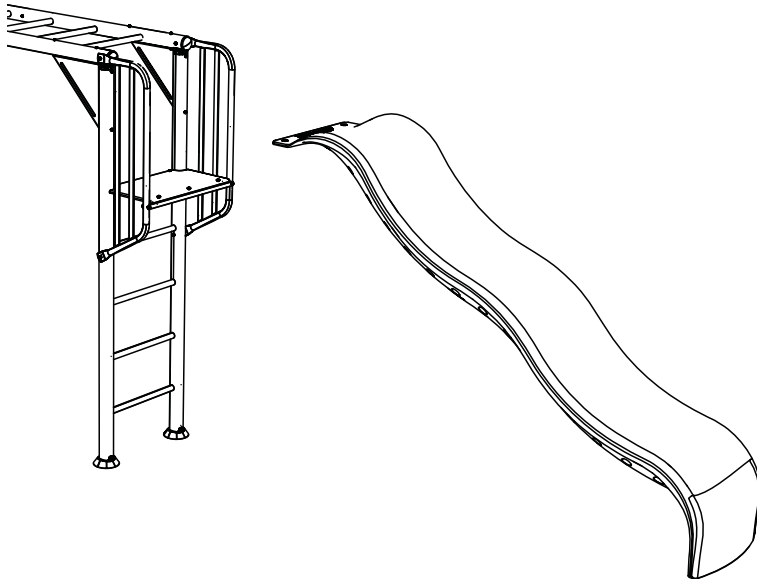
ARL (x6)



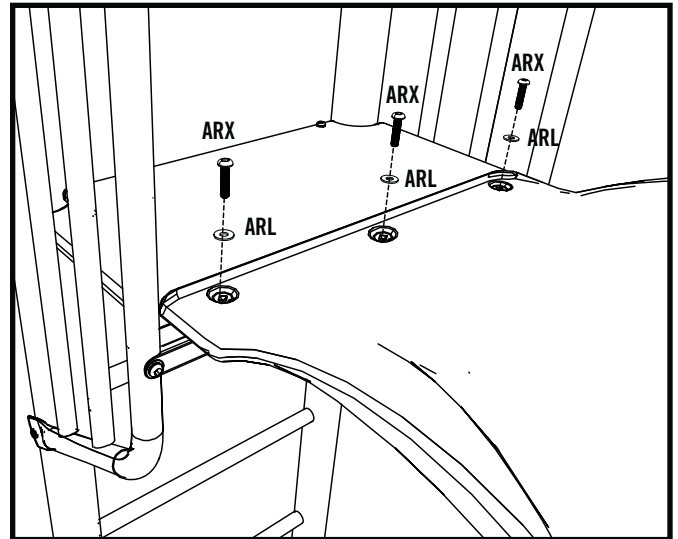
SEC

3.4

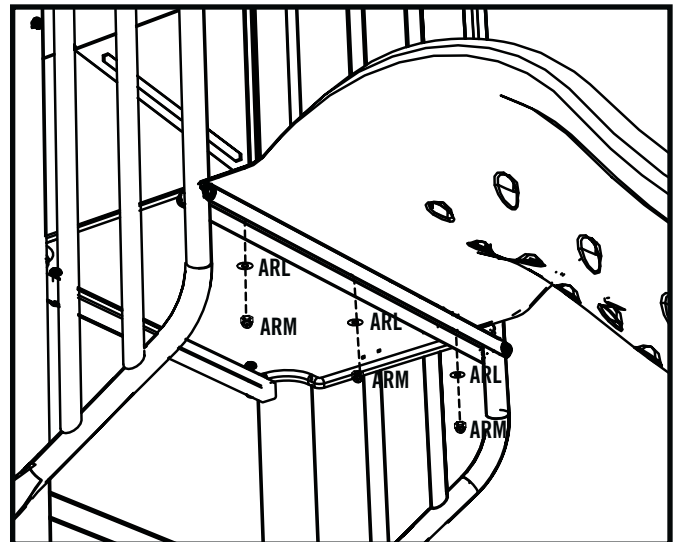
Attach the **Slide (BEK)** to the **Deck (BEO)** in the location indicated with the hardware shown.



Top View



Bottom View

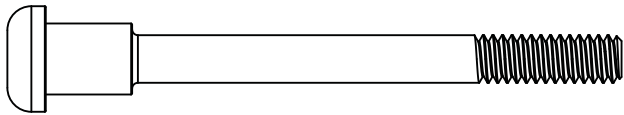


SEC 4 FIRE POLE AND SWING ASSEMBLY

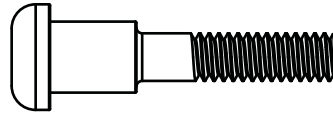
HARDWARE REQUIRED

FIRE POLE ASSEMBLY HARDWARE BAG [CVI]

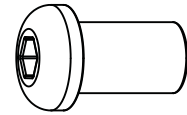
Hardware shown at Actual Size



BZO (x2)
1/4" x 3" Shoulder Bolt



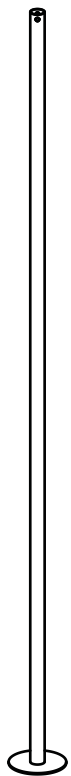
BZN (x1)
1/4" x 1 1/2" Shoulder Bolt



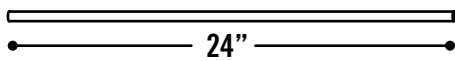
BTS (x3)
1/4" Barrel Nut

PARTS REQUIRED

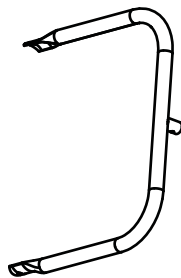
Parts shown at 5% of Actual Size



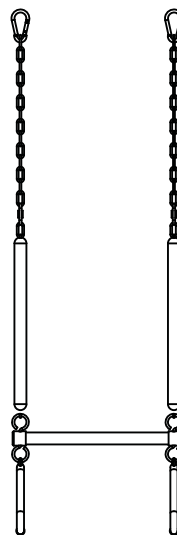
CRT (x1)
Fire Pole



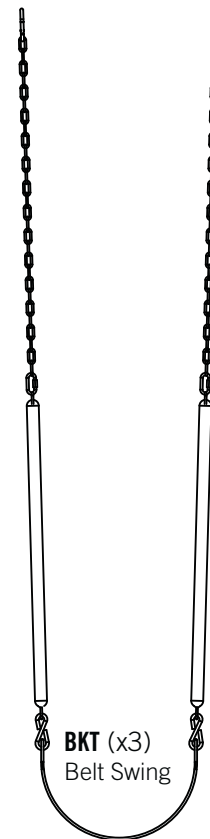
CRZ (x1)
Anchor Rod



CRS (x1)
Fire Pole Hoop



BKU (x1)
Trapeze Swing



BKT (x3)
Belt Swing

TOOLS REQUIRED



Rubber Mallet

(1)



3/16" Allen Wrench

(2, included)



Ladder

(1)



Screwdriver

(1)

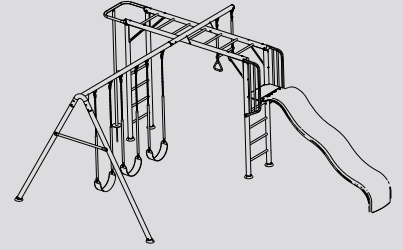


TOOLS AND HARDWARE REQUIRED FOR THIS PAGE



NO HARDWARE REQUIRED FOR THIS PAGE

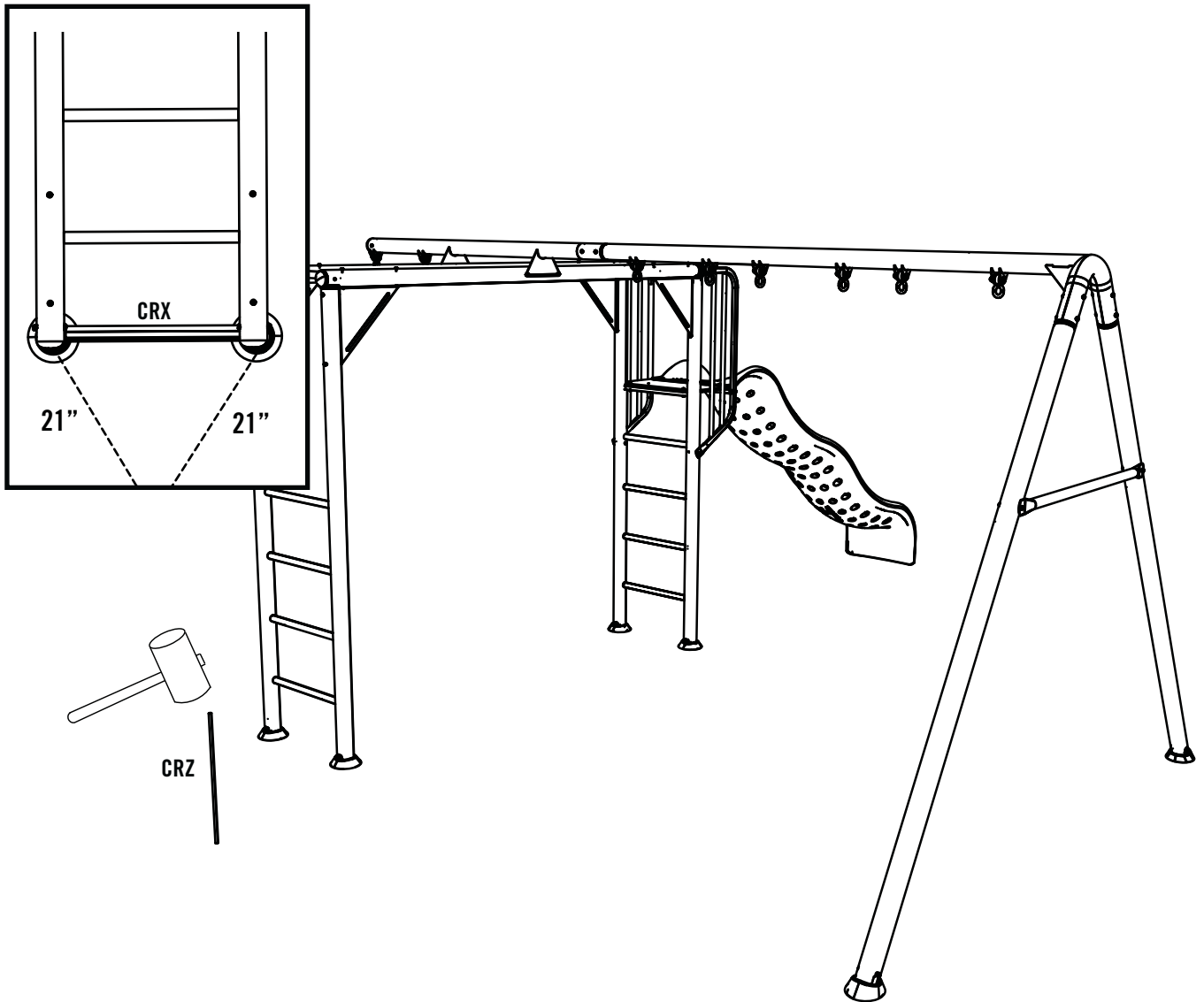
SEC 4



SEC

4.1

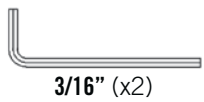
Make sure the playground is in the desired location and measure 21" diagonally from each pole of the **Fire Pole Ladder (CRX)** as shown, and mark the ground where the two measurements meet. Use a Hammer or Rubber Mallet to drive the **Anchor Rod (CRZ)** into the ground until half of the Anchor Rod is underground.



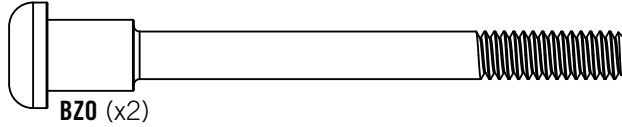


TOOLS AND HARDWARE REQUIRED FOR THIS PAGE

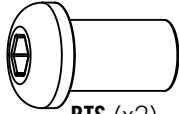
SEC 4



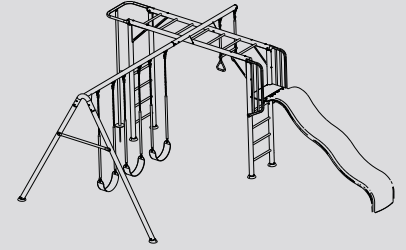
3/16" (x2)



BZO (x2)



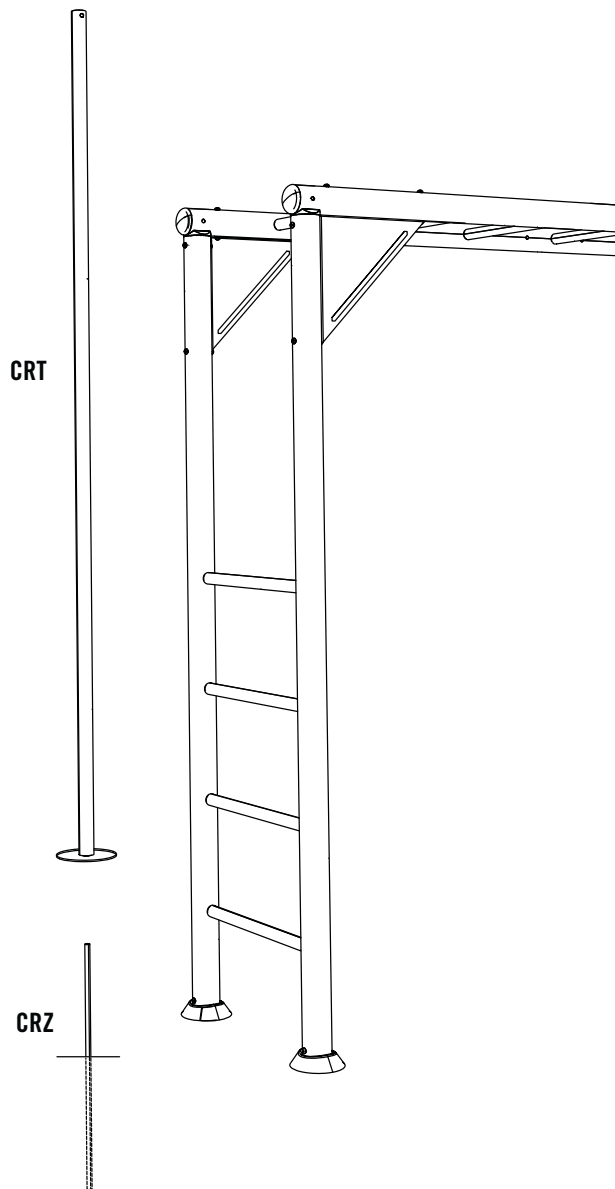
BTS (x2)



SEC

4.2

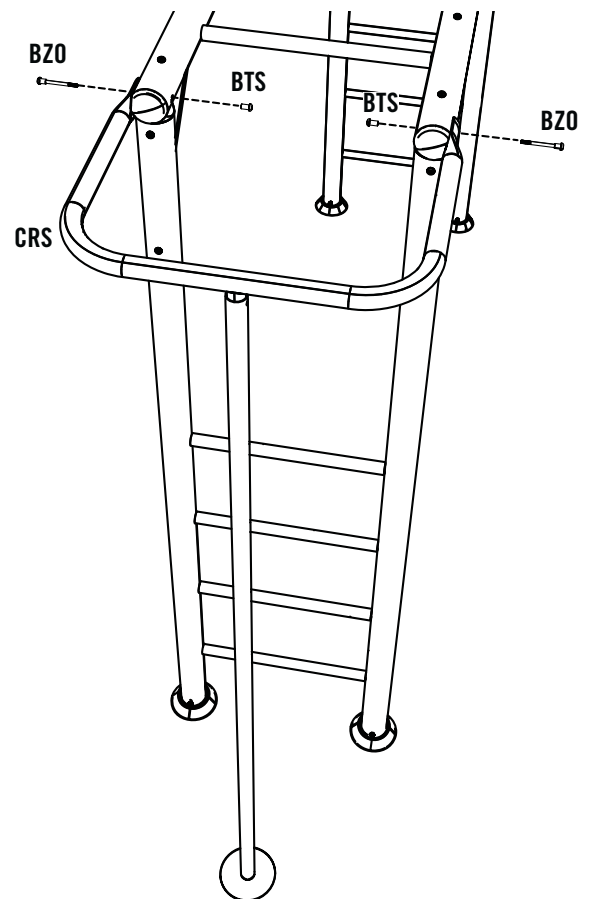
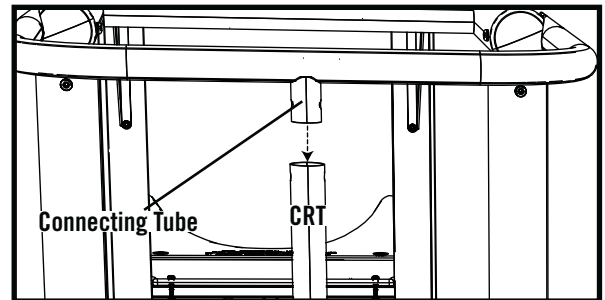
Slide the plate-end of the **Fire Pole (CRT)** over the **Anchor Rod (CRZ)**.



SEC

4.3

Attach the **Fire Pole Hoop (CRS)** to the Monkey Bars Assembly by sliding the Connecting Tube into the Fire Pole and securing the Fire Pole Hoop with the hardware shown.

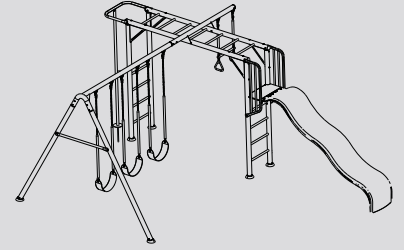
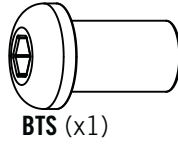
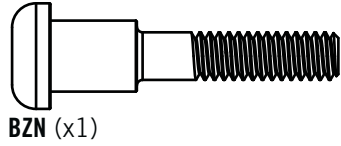
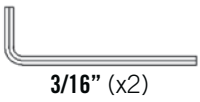


Note: The Playground may need to be moved slightly once the Fire Pole is positioned.



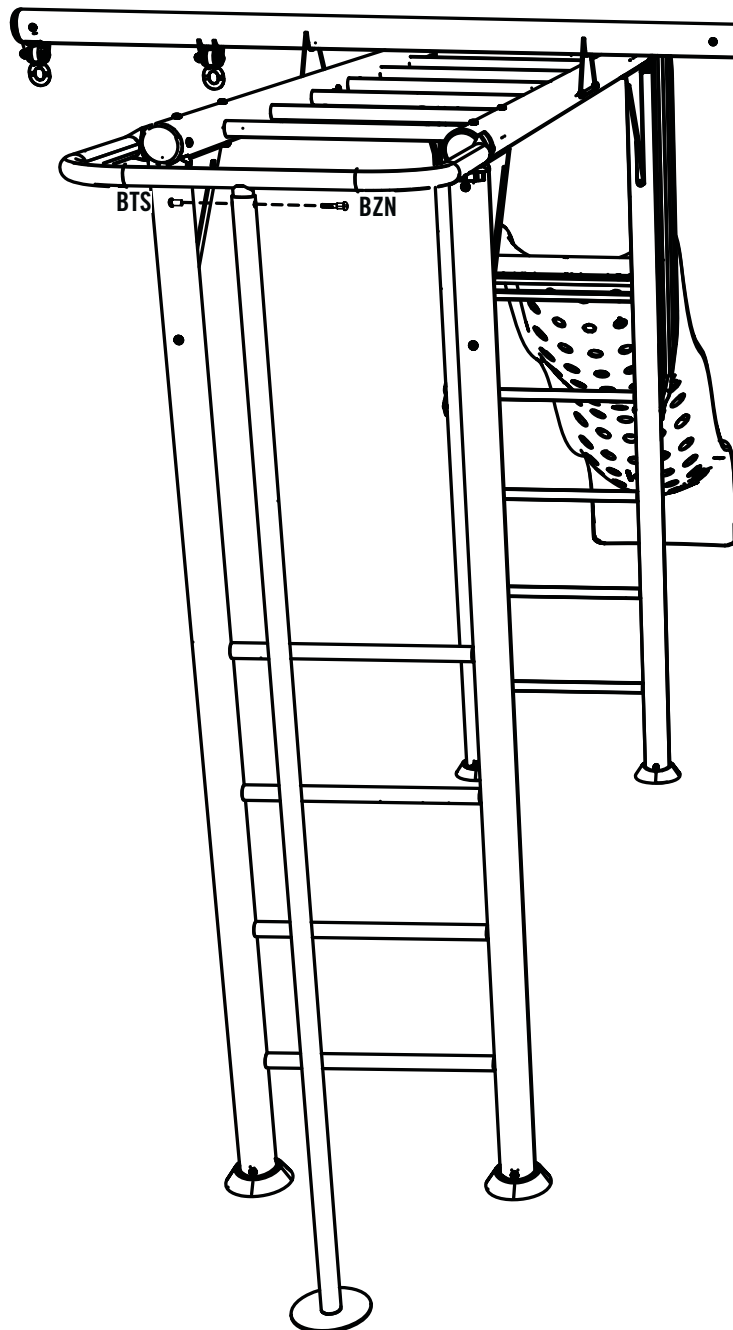
TOOLS AND HARDWARE REQUIRED FOR THIS PAGE

SEC 4



SEC 4.4

Secure the Fire Pole to the Fire Pole Hoop with the hardware shown.

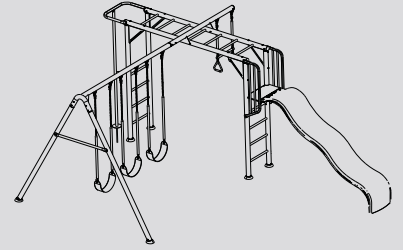




TOOLS AND HARDWARE REQUIRED FOR THIS PAGE

SEC 4

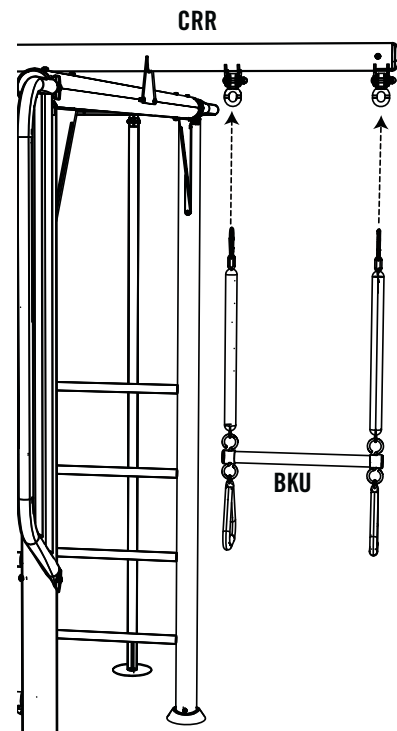
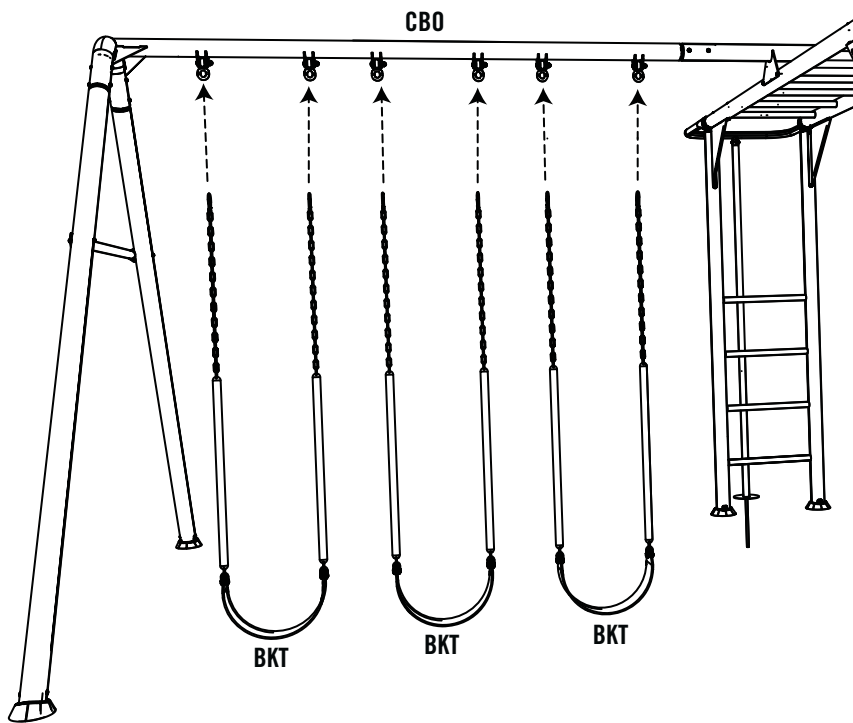
NO TOOLS OR HARDWARE REQUIRED FOR THIS PAGE



SEC

4.5

Attach the **Belt Swings (BKT)** to the **Swing Bar (CBO)** and the **Trapeze (BKU)** to the **Trapeze Swing Bar (CRR)**.



Note: Make sure all hardware is tightened securely before allowing children to play on the Playground.

If the warning sticker is illegible, destroyed, or removed, contact Customer Service for a replacement.



WARNING



This product is intended for use by children ages 3 to 12 and is for residential use only. Do not install over concrete, asphalt, packed earth, or any other hard surface. A fall onto a hard surface can result in serious injury.

Observing the following statements and warnings reduces the likelihood of serious or fatal injury:

- On-site adult supervision should be provided for children of all ages.
- Children should not walk close to, in front of, behind, or between moving items.
- Instruct children not to twist swing chains or ropes or loop them over the top support bar since this may reduce the strength of the chain or rope.
- Instruct children to avoid swinging empty seats.
- Teach children to sit in the center of the swings with their full weight on the seats. Never stand, sit or kneel on the swing seat.

- Instruct children not to use the equipment in a manner other than intended.
- Instruct children not to get off equipment while it is in motion.
- To prevent entanglement and strangulation, dress children appropriately using well-fitting shoes and avoiding ponchos, scarves, jackets with neck drawstrings, helmets with straps, and other loose-fitting clothing that is potentially hazardous while using equipment.
- Instruct children not to climb when the equipment is wet.
- Instruct children not to attach items to the playground equipment that are not specifically designed for use with the equipment, such as, but not limited to, jump ropes, clothesline, pet leashes, cables and chain as they may cause a strangulation hazard.



ADVERTENCIA



Este producto es para niños de 3 a 12 años de edad. Este producto es para uso residencial únicamente. No lo instale sobre concreto, asfalto, tierra empaquetada o cualquier otra superficie dura. La caída sobre una superficie dura podría ocasionar serias lesiones.

Si se presta atención a los siguientes enunciados y avisos de advertencia se reduce la probabilidad de producirse lesiones serias o mortales:

- Los niños de todas las edades deben estar bajo la supervisión de un adulto en el lugar.
- Los niños no deben caminar junto, en frente, detrás de o entre las piezas móviles.
- Indique a los niños no torcer las cadenas o sogas de los columpios ni pasarlas por encima de la barra de soporte superior, ya que puede reducirse la resistencia de las cadenas o sogas, según sea el caso.
- Indique a los niños que eviten impulsar columpios vacíos.
- Enseñe a los niños a sentarse en el centro de los columpios, con todo su peso en los asientos. Nunca deben pararse ni hincarse en el asiento del columpio.
- Indique a los niños no usar el equipo de ninguna forma diferente a la indicada.
- Indique a los niños no bajarse del equipo cuando esté en movimiento.
- Para evitar la posibilidad de que los niños se enreden y estrangulen, vístalos debidamente con zapatos debidamente ajustados y sin ponchos, bufandas, chamarras con cordones de apriete en el cuello, cascos con correas y otras ropas holgadas que puedan ser peligrosas al usar el equipo.
- Indique a los niños no subirse cuando esté húmedo el equipo.
- Indique a los niños no adherir al equipo de patio de juegos objetos no diseñados específicamente para éste, como cuerdas de saltar, cuerdas de tendadero de ropa, correas de mascotas, cables y cadenas, ya que podrían causar un peligro de estrangulación.



AVERTISSEMENT



Ce produit est conçu pour un usage par des enfants âgés de 3 à 12 ans. Ce produit est réservé à un usage personnel seulement. Ne pas installer sur du béton, de l'asphalte, de la terre compactée ou toute autre surface dure. Une chute sur une surface dure peut entraîner des blessures graves.

L'observation des déclarations et des avertissements suivants réduit les risques de blessures graves ou fatales:

- La présence d'un adulte surveillant les enfants de tous âges doit être assurée.
- Veiller à ce que les enfants ne marchent pas près, devant, derrière ou entre les éléments en mouvement.
- Veiller à ce que les enfants ne tordent pas les chaînes ou cordes de la balançoire. De même, veiller à ce que les enfants ne bouclent pas les chaînes ou les cordes au-dessus de la barre de support supérieure, car cela pourrait en réduire leur solidité.
- Veiller à ce que les enfants ne balancent pas les sièges vides.
- Veiller à ce que les enfants s'assoient au centre des sièges de la balançoire, avec leur plein poids sur le siège. Veiller à ne jamais s'asseoir, s'agenouiller ou se tenir debout sur le siège.
- Veiller à ce que les enfants n'utilisent pas l'équipement à d'autres fins que pour l'usage prévu.
- Veiller à ce que les enfants ne descendent pas de l'équipement lorsqu'il est encore en mouvement.
- Pour éviter l'emmêlement des cordes et des chaînes et ainsi éviter tout risque d'étranglement, veiller à habiller les enfants correctement. Utiliser des souliers bien adaptés. Ne pas mettre des ponchos, foulards, blousons avec des cordons près du cou, casques avec des sangles et tout autre vêtement ample pouvant potentiellement s'avérer dangereux lors de l'utilisation de l'équipement.
- Veiller à ce que les enfants ne grimpent pas sur l'équipement quand celui-ci est mouillé.
- Veiller à ne pas attacher d'objets sur l'équipement de jeu non spécifiquement conçus pour cet équipement, tels que, mais sans s'y limiter, cordes à sauter, cordes à linge, laisses d'animaux, câbles et chaînes. Ceux-ci posent un risque d'étranglement.

**Lifetime Products, Inc
Clearfield, UT 84016**

www.lifetime.com

12/24/2008

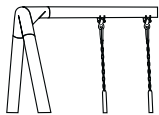
1049430

ENHANCE YOUR LIFETIME® PURCHASE BY ADDING ACCESSORIES OR OTHER GREAT PRODUCTS:

To purchase accessories or other Lifetime Products, visit us at:

www.lifetime.com

Or call: 1-800-424-3865



WARRANTY INFORMATION

LIFETIME PLAYGROUND EQUIPMENT

5-YEAR LIMITED FACTORY WARRANTY*

THE MANUFACTURER RESERVES THE RIGHT TO MAKE SUBSTITUTIONS TO WARRANTY CLAIMS IF PARTS ARE UNAVAILABLE OR OBSOLETE.

1. Lifetime Playground systems are warranted to the original purchaser to be free from defects in material or workmanship for a period of five years from the date of original retail purchase. The word “defects” is defined as imperfections that impair the use of the product. Defects resulting from misuse, abuse or negligence will void this warranty. This warranty does not cover defects due to improper installation, alteration or accident. This warranty does not cover damage caused by vandalism, rusting, “acts of nature” or any other event beyond the control of the manufacturer.
2. This warranty is nontransferable and is expressly limited to the repair or replacement of defective playground equipment. If the equipment is defective within the terms of this warranty, Lifetime Products, Inc. will repair or replace defective parts at no cost to the purchaser. Shipping charges to and from the factory are not covered and are the responsibility of the purchaser. Labor charges and related expenses for removal, installation or replacement of the playground system or its components are not covered under this warranty.
3. This warranty does not cover scratching or scuffing of the product that may result from normal usage. In addition, defects resulting from intentional damage, negligence or unreasonable use will void this warranty.
4. Liability for incidental or consequential damages is excluded to the extent permitted by law. While every attempt is made to embody the highest degree of safety in all equipment, freedom from injury cannot be guaranteed. The user assumes all risk of injury resulting from the use of this product. All merchandise is sold on this condition, and no representative of the company may waive or change this policy.
5. This product is not intended for institutional or commercial use; Lifetime Products, Inc. does not assume any liability for such use. Institutional or commercial use will void the warranty.
6. This warranty is expressly in lieu of all other warranties, expressed or implied, including warranties of merchantability or fitness for use to the extent permitted by Federal and state law. Neither Lifetime Products, Inc., nor any representative assumes any other liability in connection with this product. This warranty gives you specific legal rights, and you may also have other rights which vary from state to state.

ALL WARRANTY CLAIMS MUST BE ACCOMPANIED BY A SALES RECEIPT.

REPORT PRODUCT DEFECTS IN WRITING TO:

Lifetime Products, Inc., PO Box 160010 Clearfield, UT 84016-0010 or call (800) 225-3865 M-F 7 a.m. to 5 p.m. MST.

Please include your dated sales receipt and photographs of damaged parts.

Save this owner’s manual for future reference and in the event that the manufacturer has to be contacted.

To register the product, visit our Web site at www.lifetime.com



www.lifetime.com

*Warranty is only valid in the United States.