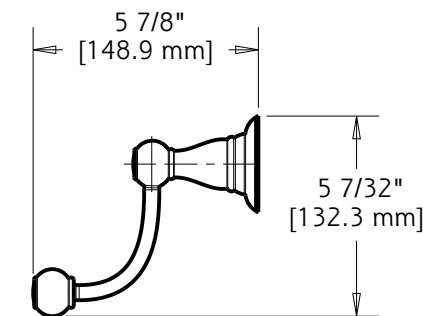
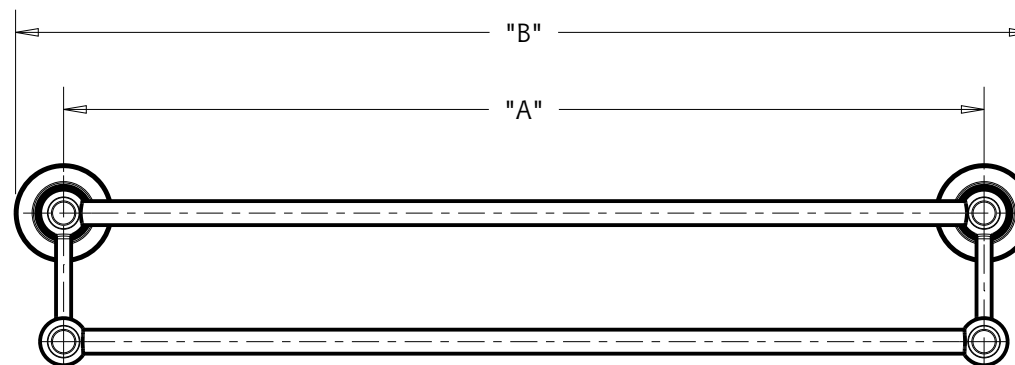
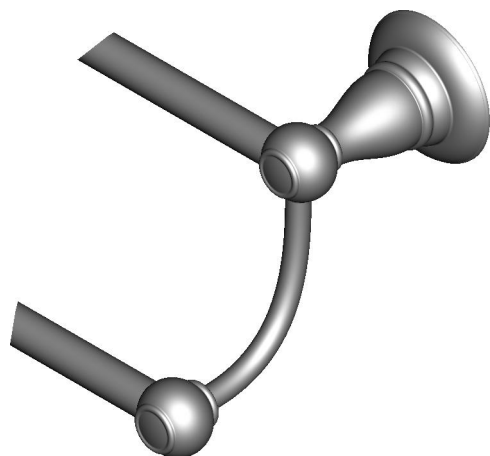


# TECHNICAL DATA

## Porter - Easy Clip

## DOUBLE TOWEL BAR



**MATERIALS:** Post - Zinc Die Cast  
Bar - Steel  
Wall Plate - Steel, Zinc Plated

**INSTALLATION:** Mount wall plate bracket(s) per installation instructions with supplied fasteners. Slip product over wall plate(s) and slide down to secure.

**OPTIONAL FASTENER INFORMATION:**

Wood blocking is preferable behind all wall surfaces. If wood blocking is not available, the following fasteners are suggested: Tile/Masonry - Plastic or Lead Anchors, Plaster/Drywall - Toggle Bolts.

**SPECIFICATION:** Surface mounted Double towel bar shall be model \_\_\_\_\_  
(fill in model number) by Liberty Hardware Manufacturing Corporation.

LENGTH	18" 457.2 mm	24" 609.6 mm
DIM "A"	17 31/32" [456.2mm]	23 31/32" [608.6mm]
DIM "B"	20 15/32" [519.7mm]	26 15/32" [672.1mm]