

Einhell®

GE-HM 38 S-F

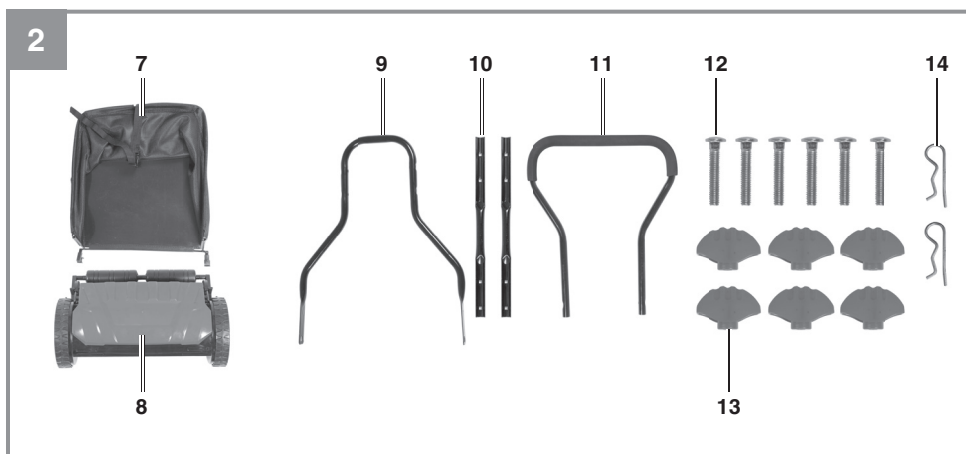
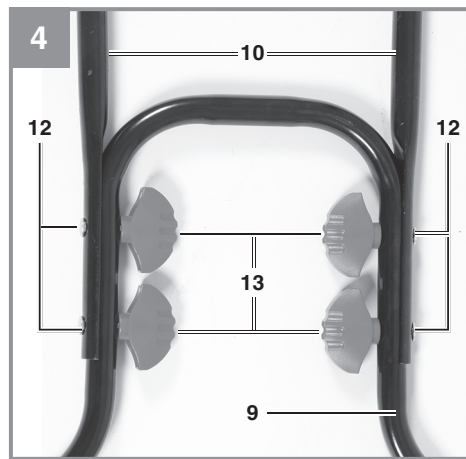
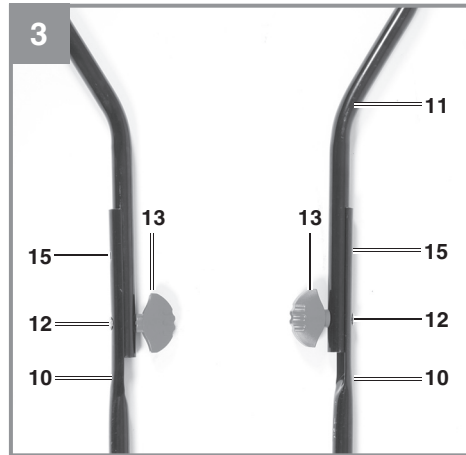
-
- EN** Original operating instructions
Manual Push Reel Lawnmower
- SP** Manual de instrucciones original
Cortacésped manual
- FR** Traduction du mode d'emploi
d'origine
Tondeuse a gazon manuelle

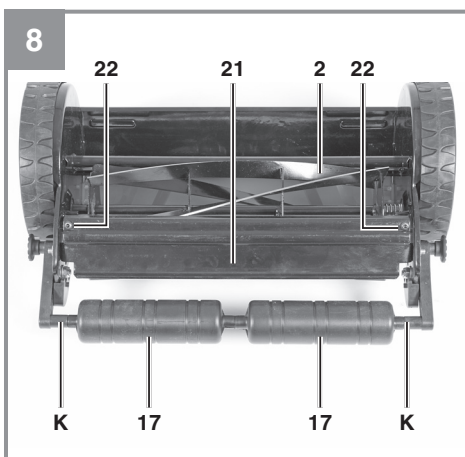
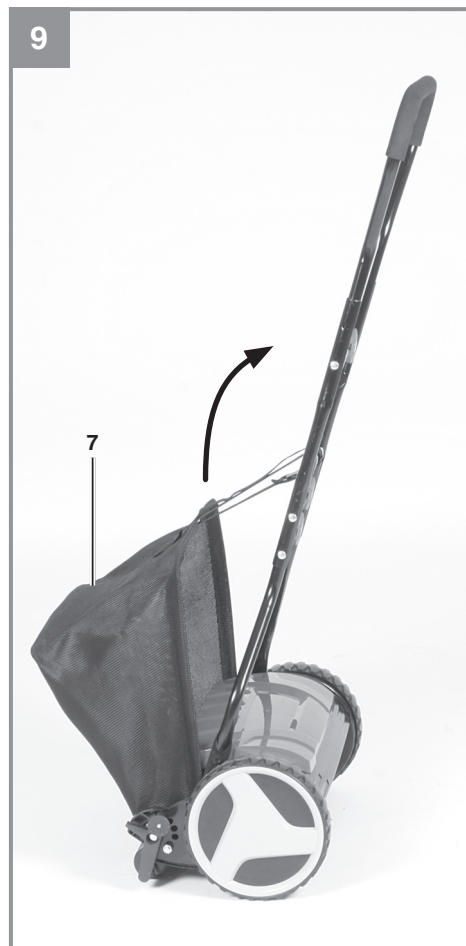
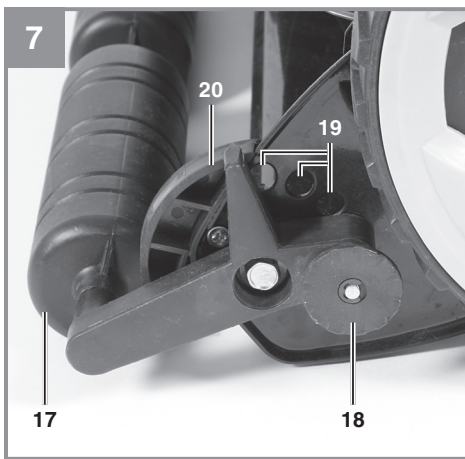
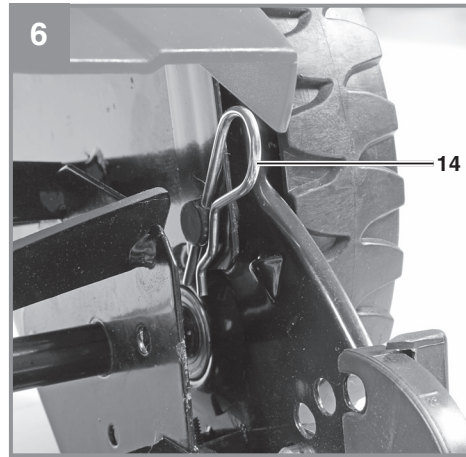
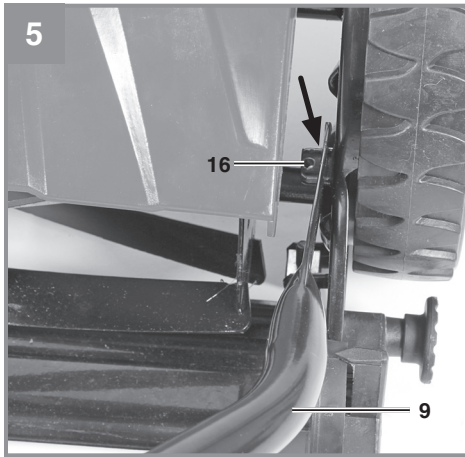


7

Art.-Nr.: 3414162

I.-Nr.: 11018





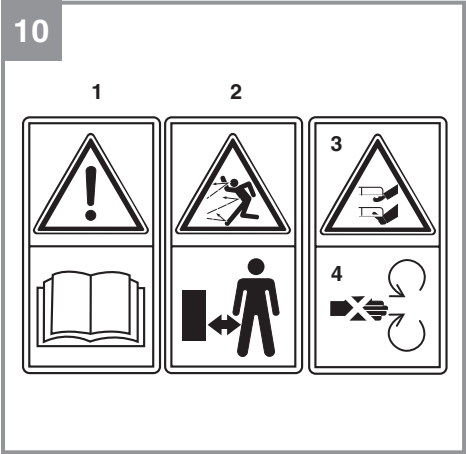


Table of contents

1. Safety information
2. Layout and items supplied
3. Intended use
4. Technical data
5. Before starting the equipment
6. Operation
7. Cleaning, maintenance and ordering spare parts
8. Disposal and recycling
9. Storage and transport
10. Troubleshooting



Danger! - Read the operating instructions to reduce the risk of injury

Children are not allowed to use this equipment. Children should be supervised so that they do not play with the equipment. Children are not allowed to carry out cleaning or maintenance. This equipment is not allowed to be used by people with limited physical, sensory or mental capacities or by those with insufficient knowledge or experience unless they are supervised or instructed by a person who is responsible for them.

DANGER!

When using the equipment, a number of safety precautions must be observed to avoid injuries and damage. Please read the complete operating instructions and safety information with due care. Keep these operating instructions in a safe place so that the information is available at all times. If you give the equipment to any other person, hand over these operating instructions and the safety information as well. We cannot accept any liability for damage or accidents which arise due to failure to follow these instructions and the safety information.

1. Safety information**DANGER!**

Read all the safety information and instructions. Failure to adhere to the safety information and instructions set out below may result in electric shock, fire and/or serious injury. **Keep all the safety information and instructions in a safe place for future use.**

Safety information for lawn mowers

- Check the machine for signs of damage before use. Repairs may only be carried out by our service workshop.
- Worn parts may only be replaced by our service workshop. If necessary contact the service address provided.

How to use safely**Training**

- a) Read the directions with due care. Familiarize yourself with the operator controls and proper operation of the equipment.
- b) Never allow children or other persons who are not familiar with the operating instructions to use the mower. Contact your local governmental agency for information regarding minimum age requirements for the user.
- c) Never mow in the direct vicinity of persons - especially children - or animals.
- d) Always keep in mind that the operator or user of the equipment is responsible for accidents involving other persons and/or their property.

Preliminary measures

- a) Always wear sturdy, non-slip footwear and long trousers when using the machine. Never use the machine barefoot or in sandals. Avoid

wearing loosely fitting clothes or clothing with hanging belts or cords.

- b) Check the ground on which the equipment will be used and remove all objects that could be caught up or violently flung out by the machine.
- c) Before using the scythe, visually inspect it to ensure that the blade, mounting bolts and the entire cutting apparatus are in good working order (i.e. not worn out or damaged). To prevent any imbalance, replace worn out or damaged blades and mounting bolts as a set only (if applicable). Worn or damaged warning signs must be exchanged or replaced.

Handling

- Only mow in broad daylight or in well-lit conditions.
- Do not use the machine on wet grass.
- Always maintain good footing on inclines.
- Only operate the machine at a walking pace.
- Always mow across slopes, i.e. never straight up or straight down.
- Be particularly careful when you change direction on a slope.
- Do not mow on overly steep inclines.
- Always be extra careful when turning the mower around and when pulling it towards you.
- Never use the lawn mower if the guards are damaged or without the attached guards, e.g. deflectors and/or grass catching devices.
- Never move your hands or feet toward or under any rotating parts. Keep clear of the chute opening at all times.

Maintenance and storage

- Make sure that all nuts, bolts and screws are tightened securely and that the machine is in safe working condition.
- For your own safety, have worn or damaged parts replaced without delay. Use only original spare parts and original accessories.
- Take care not to jam your fingers between moving blades and stationary parts of the equipment while you are adjusting the equipment.

Keep this safety information in a safe place.

Explanation of the warning signs on the equipment (see Fig. 10)

1. "Warning - Read the operating instructions to reduce the risk of injury"
2. Important! Keep other persons and animals away from the danger zone.
3. Caution! - Sharp blades
4. Take care when the blades are rotating. Do not put your hands or feet into openings when the machine is running.

- If possible, keep the packaging until the end of the guarantee period.

Danger!

The equipment and packaging material are not toys. Do not let children play with plastic bags, plastic sheets and small parts. There is a risk of choking and suffocating!

- Original operating instructions
- Safety information

2. Layout and items supplied

2.1 Layout (Fig. 1)

1. Push bar
2. Mowing spindle
3. Wheel
4. Housing
5. Grass basket
6. Holding belt
7. Grass box with holding belt
8. Hand mower (ready-assembled)
9. Push bar bottom
10. Push bar extension (2x)
11. Push bar top section
12. Screw (6x)
13. Wing nut (6x)
14. Split pin (2x)
15. Adjustment holes for push bar
16. Hole for split pin
17. Guide roller
18. Spring-loaded bolt
19. Adjustment hole for cutting height
20. Scale for cutting height
21. Counter blade
22. Socket head screw
23. Mowing spindle

2.2 Items supplied

Please check that the article is complete as specified in the scope of delivery. If parts are missing, please contact our service center or the store where you made your purchase at the latest within 5 work days after purchasing the article and upon presentation of a valid bill of purchase.

- Open the packaging and take out the equipment with care.
- Remove the packaging material and any packaging and/or transportation braces (if present).
- Check to see if all the items are supplied.
- Inspect the equipment and accessories for transport damage.

3. Intended use

The hand mower is designed for cutting grass.

It is intended for private use, i.e. for use in home and gardening environments. Private use here refers to the maintenance of small-scale, residential areas and does not include public facilities, sporting halls, or agricultural/forestry applications.

Important! Due to the high risk of bodily injury to the user, the hand mower may not be used to cut scaling vegetation, planted roofs, or balcony-grown grass.

The equipment is allowed to be used only for its prescribed purpose. Any other use is deemed to be a case of misuse. The user/operator and not the manufacturer will be liable for any damage or injuries of any kind resulting from such misuse.

Please note that our equipment has not been designed for use in commercial, trade or industrial applications. Our warranty will be voided if the equipment is used in commercial, trade or industrial businesses or for equivalent purposes.

4. Technical data

Working width: 15 in. (380 mm)

Cutting height: 0.5 in. to 1.5 in. (13 - 38 mm)

Weight: 19.8 lbs (9 kg)

5. Before starting the equipment

Warning! Wear safety gloves whenever you carry out any assembly or maintenance work.

Assembly

Fig. 3: Screw the push bar top section (11) to the two longer ends of the push bar extensions (10). Use two screws (12) and two wing nuts (13) for this purpose. Using the adjustment holes for the push bar will lengthen the push bar (15) by approx. 2.4 in. (6 cm).

Fig. 4: Screw the push bar bottom section (9) to the two shorter ends of the push bar extensions (10). Use four screws (12) and four wing nuts (13) for this purpose.

Fig. 5: First hook one side of the push bar bottom section (9) on the mower, then press the push bar bottom section (9) together slightly and hook the other side in place.

Fig. 5/6: To secure the push bar bottom section to the mower, insert a split pin (14) into the hole on each side (Fig. 5/Item 16).

Hook the grass catch basket in place on the left and right side of the roller (Fig. 8/Item 17). The grass catch basket (5) must also be secured to the push bar (1) using the retainer belt (6) (see Fig. 1). Adjust the retainer belt according to your requirements.

6. Operation

6.1 Setting the cutting height (Fig. 7)

Four different cutting heights can be set between a range of 0.5 in. to 1.5 in. (13 – 38 mm). To do so, pull out the spring-loaded bolts (18) on both sides and then engage them in the required adjustment hole (19). The set cutting height can be read off the scale (20).

Note: The roller (17) must be aligned parallel with the hand mower (spring-loaded bolts at same height (18)).

6.2 Operation

The hand mower can cut grass up to approx. 3.9 in. (100 mm) in length. If you want your lawn to have a neat, trimmed look to it, however, you must consistently keep it cut down to a more manageable height.

When starting the mowing session (and when mowing over freshly laid sod), it is advisable to set the cutting height relatively high, then gradually work your way down. For a well-groomed look, the cutting height should be set to approx. 1 in. (25.4 mm). For optimum results, mow your lawn on a weekly basis. Grass blades grow thicker, faster, and are more resilient when their stems are consistently kept short (unless you live in very dry conditions and do not frequently water). Always mow the lawn when it is reasonable dry. In order to ensure that your lawn has a clean, even look to it when you're finished, mow in fairly straight paths at walking pace. The cutting swaths should always overlap each other by a few centimeters in order to avoid unsightly strips of grass.

7. Cleaning, maintenance and ordering spare parts

7.1 Cleaning

- Clean the machine with a brush or rag after each use.
- Store the equipment in a location that is dry and not accessible by children. For storage in less space you can remove the grass basket and move the push bar into a vertically upright position (Fig. 9) if you wish.
- Keeping your lawn mower in good condition not only ensures a long lifespan and high performance, but also enables the equipment to thoroughly cut your grass with minimal effort.

7.2 Maintenance

- Ensure that all mounting components (i.e. screws, bolts, nuts etc.) are always tightened so that the mower can be safely operated at all times.
- Replace excessively worn or damaged parts immediately.
- In order to ensure that you enjoy the equipment for many years to come, all screwed parts, as well as the wheels and axles, should be cleaned and lubricated.
- The blade on the mower spindle is subject

to more wear and tear than any other component of the unit. Check the condition of the blade on the mowing spindle at regular intervals and make sure that it is tightly fastened.

- If the blades on the mower spindle become blunt and need replacing, please contact our customer service. Use only genuine spare parts.

7.2.1 Setting the counter blade (Fig. 8)

Warning! Wear safety gloves.

The counter blade (21) is pre-set at the factory. Re-adjustment might be required after prolonged use.

- If the counter blade is too loose, the cut will look rough and uneven.
- If the counter blade is too tight, the mower will be noisy and hard to push.

The socket head screws (22) on both sides of the mower must be adjusted evenly such that the counter blade (21) and the mower spindle (23) touch without making hardly a sound.

- Turn the socket head screw (22) clockwise = The counter blade will move closer to the mower spindle.
- Turn the socket head screw (22) counter-clockwise = The counter blade will move further away from the mower spindle.

The counter blade (21) is correctly adjusted if a piece of paper placed between the blades on the mowing spindle (23) and the counter blade will be cut along its full length when you turn one of the wheels forwards by hand without force.

7.3 Ordering replacement parts:

Service

1. **If your power tool requires service, contact an authorized Einhell USA dealer or call the Einhell USA customer service center at 1-866-EINHELL (1-866-346-4355).** Only identical replacement parts should be utilized for repairs. This will ensure that the safety of the power tool is maintained.
2. **If the battery charger cable is damaged, it must be immediately replaced to avoid a hazard.** Contact the Einhell USA® customer service center at 1-866-EINHELL (1-866-346-4355) for assistance.

8. Disposal and recycling

The equipment is supplied in packaging to prevent it from being damaged in transit. The raw materials in this packaging can be reused or recycled. The equipment and its accessories are made of various types of material, such as metal and plastic. Never place defective equipment in your household refuse. The equipment should be taken to a suitable collection center for proper disposal. If you do not know the whereabouts of such a collection point, you should ask in your local council offices.

9. Storage and transport

Storage

Store the equipment and its accessories out of children's reach in a dark and dry place at above freezing temperature. The ideal storage temperature is between 41°F and 86°F (5°C and 30°C). Keep the electric tool in its original packaging.

Transport

- Always carry the mower by its handle and never reach into the cutting mechanism.
- Fit the shipping protectors, if any.
- Protect the machine from damage and the strong vibrations that can occur particularly when transporting in vehicles.
- Secure the machine against slipping and tipping over.

The reprinting or reproduction by any other means, in whole or in part, of documentation and papers accompanying the products is strictly subject to the express consent of iSC GmbH.

Subject to technical changes

10. Troubleshooting

If the equipment is operated properly you should experience no problems with malfunctions or faults. In the event of any malfunctions or faults, please check the following before you contact your customer services.

Problem	Possible cause	Remedy
Unusual noises	<ul style="list-style-type: none"> - Loose screws/parts? - Foreign bodies in the blade? - Damaged blade? - Wrongly adjusted bladed? 	<ul style="list-style-type: none"> - Tighten the screws - Remove the foreign bodies - Have the blade replaced - Set the counter blade (see 7.2.1)
Unsatisfactory cutting results	<ul style="list-style-type: none"> - Wrongly adjusted bladed? - Blunt blade? 	<ul style="list-style-type: none"> - Set the counter blade (see 7.2.1) - Have the blade sharpened or replaced

Einhell

EINHELL CUSTOMER PROMISE

QUALITY COMES FIRST. The Einhell name is synonymous with high-performance tools and high-quality European craftsmanship. From cordless screwdrivers to electric lawn mowers, Einhell USA designs and develops state-of-the-art handheld power and garden tools for DIY enthusiasts, hobby gardeners, and handymen.

Einhell USA's quality assurance and engineering teams ensure products are subjected to stringent quality and performance tests. We know that sometimes tough tools go through tough times. In the event that you should experience any issue with your product, you have our commitment that we'll do everything we can to get you back a tool that's ready to work as hard as you do.

PRODUCT REGISTRATION:

Einhell strongly encourages you to register your purchase. You can register online at **EinhellUSA.com**. Failure to register your product purchase will not diminish your warranty rights. However, registering your purchase will allow Einhell to better serve you with any of your customer service needs.

WHAT IS COVERED?

Einhell warrants to the owner that if this Machine fails within 2 years from the date of purchase due to a defect in material or workmanship or as a result of normal wear and tear from ordinary household use, Einhell will send a replacement part or product, as needed, free of charge and with free shipping to the original purchaser. If, in Einhell's sole discretion, the failed Machine cannot be repaired with a part, Einhell will elect to either (A) send a new Machine at no charge and with free shipping or (B) refund the full purchase price to the owner.

WHO CAN SEEK WARRANTY COVERAGE?

This Warranty is extended by Einhell to the owner of this Machine (a "Machine" consists of a product powered by a motor) for residential and personal household use only. This warranty is limited to thirty (30) days from the start of original purchase of any EINHELL brand product that is used for commercial purposes, or any other income-producing purpose. Should ownership of this machine change during the coverage period, please update the Machine's owner information at **EinhellUSA.com**

WHAT IS NOT COVERED?

This warranty does not cover any product that has been subject to misuse, neglect, negligence, or accident, or that has been operated in any way contrary to the operating instructions as specified in the operator's manual. This Warranty does not cover cosmetic changes that do not affect performance.

This Warranty is only valid if the Machine is used and maintained in accordance with the instructions, warnings and safeguards contained in the owner's manual. Einhell will not be responsible for the cost of any unauthorized warranty repairs. This warranty does not cover any cost or expense incurred by the purchaser in providing substitute equipment or service during reasonable periods of malfunction or non-use of this product while waiting for a replacement part or unit under this warranty.

Wearing parts like belts, augers, chains and tines are not covered under this warranty, and can be purchased at **EinhellUSA.com** or by calling **1-866-EINHELL (1-866-346-4355)**. Batteries are covered in full for 90-days from the date of purchase.

Repair, replacement or refund of the purchase price are the exclusive remedies of purchaser and the sole liability of Einhell under this warranty. No employee or representative of Einhell is authorized to make any additional warranty or any modification to this warranty which may be binding upon Einhell. Accordingly, purchaser should not rely upon any additional statements made by any employee or representative of Einhell. In no event, whether based on contract, indemnity, warranty, tort (including negligence), strict liability or otherwise, shall Einhell be liable for any special, indirect, incidental, or consequential damages, including, without limitation, loss of profit or revenue.

Some states do not allow limits on warranties. In such states, the above limitations may not apply to you.

Outside the USA and Canada, other warranties may apply.

Índice de contenidos

1. Instrucciones de seguridad
2. Descripción del aparato y volumen de entrega
3. Uso adecuado
4. Características técnicas
5. Antes de la puesta en marcha
6. Manejo
7. Mantenimiento, limpieza y pedido de piezas de repuesto
8. Eliminación y reciclaje
9. Almacenamiento y transporte
10. Indicaciones para la eliminación de fallos



Peligro! - Leer el manual de instrucciones para reducir cualquier riesgo de sufrir daños

Los niños no deben usar el aparato. Vigilar a los niños para asegurarse de que no jueguen con el aparato. Los niños no pueden limpiar ni realizar trabajos de mantenimiento en el aparato. El aparato no puede ser utilizado por personas cuyas capacidades estén limitadas física, sensorial o psíquicamente, o que no dispongan de la experiencia y/o los conocimientos necesarios a no ser que estén vigiladas o hayan recibido instrucciones de una persona que se responsabilice de ellos.

Peligro!

Al usar aparatos es preciso tener en cuenta una serie de medidas de seguridad para evitar lesiones o daños. Por este motivo, es preciso leer atentamente este manual de instrucciones/advertencias de seguridad. Guardar esta información cuidadosamente para poder consultarla en cualquier momento. En caso de entregar el aparato a terceras personas, será preciso entregarles, asimismo, el manual de instrucciones/advertencias de seguridad. No nos hacemos responsables de accidentes o daños provocados por no tener en cuenta este manual y las instrucciones de seguridad.

1. Instrucciones de seguridad**Peligro!**

Lea todas las instrucciones de seguridad e indicaciones. El incumplimiento de dichas instrucciones e indicaciones puede provocar descargas, incendios y/o daños graves. **Guarde todas las instrucciones de seguridad e indicaciones para posibles consultas posteriores.**

Instrucciones de seguridad para cortacésped

- Antes de utilizar la máquina comprobar que no presente daños. Solo nuestro taller de servicio deberá realizar las posibles reparaciones.
- Solo nuestro taller de servicio está autorizado a cambiar las piezas desgastadas. En caso necesario ponerse en contacto con la dirección de servicio indicada.

Información para emplear de manera segura

Formación

- a) Leer con detenimiento las instrucciones de uso. Familiarizarse con los elementos de mando y el uso correcto del aparato.
- b) No permitir nunca que los niños ni personas que desconozcan las instrucciones de uso utilicen el cortacésped. La edad mínima del usuario puede estar regulada por disposiciones locales.
- c) No trabajar nunca cuando se encuentren en las inmediaciones personas, especialmente niños o animales.
- d) Tener en cuenta que el operario o usuario será responsable de los accidentes causados a otras personas o de los daños originados en su propiedad.

Preparativos

- a) Para operar la máquina es preciso llevar siempre calzado resistente y pantalones largos. No operar la máquina descalzo o con sandalias. Evitar llevar ropa holgada o con cordones o cinturones colgando.
- b) Comprobar el terreno sobre el que se va a emplear la máquina y retirar todos los objetos que puedan engancharse a la misma o salir proyectados.
- c) Antes de utilizar el aparato, se deben efectuar controles visuales del mismo para comprobar que las herramientas de corte, los pernos de sujeción y, en definitiva, toda la unidad de corte, no presenten signos de estar desgastada o dañada. Con el fin de evitar un desequilibrio en el aparato, las cuchillas y los pernos de sujeción desgastados o dañados han de cambiarse únicamente en bloque. Cambiar o sustituir las placas de advertencia que estén dañadas o desgastadas.

Manejo

- Cortar el césped sólo a la luz del día o con una buena iluminación.
- No utilizar el aparato cuando el césped esté húmedo.
- Al colgar el aparato, asegurar siempre que esté bien sujeto en una posición adecuada.
- Emplear la máquina únicamente caminando a velocidad normal
- Cortar el césped en sentido transversal a la pendiente, nunca hacia arriba o hacia abajo.
- Es preciso ser especialmente cuidadoso cada vez que se modifique el sentido de la marcha en un terreno inclinado.
- No cortar el césped en pendientes excesivamente empinadas.
- Poner especial cuidado al cambiar de sentido con el cortacésped o al acercárselo.
- No emplear nunca el cortacésped si los dispositivos de protección presentan daños o no se hallan instalados, como, por ejemplo, las placas desviadoras o los dispositivos de recogida de césped.
- Mantener siempre las manos y los pies alejados de las piezas giratorias. Mantenerse siempre alejado del orificio expulsor.

Mantenimiento y almacenaje

- Asegurarse de que todas las tuercas, pernos y tornillos se hallen fijos y de que la máquina se encuentre en condiciones de trabajar de forma segura.
- Por motivos de seguridad, encargue la sus-

titución de las piezas gastadas o dañadas. Utilizar exclusivamente piezas de repuesto y accesorios originales

- Al ajustar la máquina, asegurarse de que no puedan quedarse atrapados sus dedos entre las cuchillas de corte en movimiento y las piezas fijas de la máquina.

Guardar las instrucciones de seguridad en lugar seguro.

Explicación de la placa de advertencia del aparato (véase fig. 10)

1. "Aviso: leer el manual de instrucciones para reducir cualquier riesgo de sufrir lesiones"
2. ¡Atención! Asegurarse de mantener a las personas y animales fuera de la zona de peligro.
3. ¡Cuidado! Cuchilla de corte afilada
4. Cuidado con las cuchillas en movimiento. Mantener las manos y los pies alejados de los orificios cuando el aparato esté en marcha.

2. Descripción del aparato y volumen de entrega

2.1 Descripción del aparato (fig. 1)

1. Arco de empuje
2. Husillo de corte
3. Rueda
4. Caja
5. Bolsa de recogida de césped
6. Correa de sujeción
7. Bolsa de recogida de césped con correa de sujeción
8. Cortacésped manual (premontado)
9. Parte inferior del arco de empuje
10. Alargadera del arco de empuje (2 uds.)
11. Parte superior del arco de empuje
12. Tornillo (6 uds.)
13. Tuerca de mariposa (6 uds.)
14. Pasador de alertas de seguridad (2 uds.)
15. Orificios de ajuste para arco de empuje
16. Orificio para pasador de aletas de seguridad
17. Rodillo guía
18. Perno de suspensión
19. Orificio de ajuste para altura de corte
20. Escala para altura de corte
21. Contracuchilla
22. Tornillo de hexágono interior
23. Husillo de corte

2.2 Volumen de entrega

Sirviéndose de la descripción del volumen de entrega, comprobar que el artículo esté completo. Si faltase alguna pieza, dirigirse a nuestro Service Center o a la tienda especializada más cercana en un plazo máximo de 5 días laborales tras la compra del artículo presentando un recibo de compra válido.

- Abrir el embalaje y extraer cuidadosamente el aparato.
- Retirar el material de embalaje, así como los dispositivos de seguridad del embalaje y para el transporte (si existen).
- Comprobar que el volumen de entrega esté completo.
- Comprobar que el aparato y los accesorios no presenten daños ocasionados durante el transporte.
- Si es posible, almacenar el embalaje hasta que transcurra el periodo de garantía.

Peligro!

¡El aparato y el material de embalaje no son un juguete! ¡No permitir que los niños jueguen con bolsas de plástico, láminas y piezas pequeñas! ¡Riesgo de ingestión y asfixia!

- Manual de instrucciones original
- Instrucciones de seguridad

3. Uso adecuado

El cortacésped manual se ha concebido únicamente para cortar el césped.

El cortacésped manual es adecuado para el uso privado en jardines privados. Como cortacésped manual para el uso privado se entiende todo aquel cortacésped empleado principalmente para el cuidado de superficies de césped que no formen parte de instalaciones públicas, polideportivos, así como zonas agrícolas o forestales.

¡Atención! A fin de evitar todo riesgo de lesiones para el operario, el cortacésped manual no debe ser empleado para cortar plantas trepadoras o césped en azoteas o terrazas.

Utilizar la máquina sólo en los casos que se indican explícitamente como de uso adecuado. Cualquier otro uso no será adecuado. En caso de uso inadecuado, el fabricante no se hace responsable

de daños o lesiones de cualquier tipo; el responsable es el usuario u operario de la máquina.

Tener en consideración que nuestro aparato no está indicado para un uso comercial, industrial o en taller. No asumiremos ningún tipo de garantía cuando se utilice el aparato en zonas industriales, comerciales o talleres, así como actividades similares.

4. Características técnicas

Anchura de trabajo: 15 in. (380 mm)
 Altura de corte:..... 0.5 in. a 1.5 in. (13 – 38 mm)
 Peso: 19.8 lbs (9 kg)

5. Antes de la puesta en marcha

¡Aviso! Llevar guantes de protección en todos los trabajos de montaje y mantenimiento.

Montaje

Fig. 3: enroscar la parte superior del arco de empuje (11) a los dos extremos más largos de las alargaderas del arco de empuje (10). Para ello, emplear dos tornillos (12) y dos tuercas de mariposa (13). El uso de los orificios de ajuste para el arco de empuje (15) lo alarga aprox. 2.4 in. (6 cm)

Fig. 4: enroscar la parte inferior del arco del empuje (9) con los dos extremos más cortos de las alargaderas del arco de empuje (10). Para ello, utilizar cuatro tornillos (12) y cuatro tuercas de mariposa (13).

Fig. 5: encajar primero un lado de la parte inferior del arco de empuje (9) en el cortacésped, a continuación apretar un poco la parte inferior del arco de empuje (9) y encajar el otro lado.

fig. 5/6: para sujetar la parte inferior del arco de empuje al cortacésped, introducir un pasador de aletas de seguridad (14) en el orificio (fig. 5/pos. 16) por cada lado.

Encajar la bolsa de recogida de césped a derecha e izquierda del rodillo guía (fig. 8/pos. 17). Además, sujetar la bolsa de recogida de césped (5) con el cinturón de sujeción (6) al arco de empuje (1) (véase fig. 1). Ajustar el cinturón de sujeción dependiendo de las necesidades de cada uno.

6. Manejo

6.1 Ajuste de la altura de corte (fig. 7)

La altura de corte puede regularse en 4 niveles en un rango de 0.5 in. a 1.5 in. (13 - 38 mm). Para ello, sacar el perno de suspensión (18) en ambos lados y dejar que se enclave en el orificio de ajuste deseado (19). La altura de corte regulada puede verse en la escala graduada (20).

Advertencia: el rodillo guía (17) debe estar dispuesto en paralelo al cortacésped manual (misma altura del perno de sujeción (18)).

6.2. Servicio

El cortacésped manual permite cortar césped de hasta aprox. 3,9" (100 mm) de largo. Sin embargo, para conseguir un césped cuidado es preciso mantenerlo constantemente más corto.

Al comienzo del periodo de corte y con superficies de césped recién colocadas, seleccionar una altura de corte relativamente alta e ir reduciéndola paulatinamente en los siguientes cortes. Para mantener el césped bien cuidado, la altura de corte debería ajustarse a aprox. 1 in. (25.4 mm). En la medida de lo posible, cortar el césped semanalmente. Cortando el césped con frecuencia se fomenta su crecimiento y el césped se vuelve más resistente. Cortar siempre el césped cuando esté relativamente seco. Para conseguir un corte limpio, desplazar el cortacésped en vías lo más rectas posibles y caminando a paso normal. Las vías de corte deben superponerse siempre algunos centímetros para que no queden tiras de césped sin cortar.

7. Mantenimiento, limpieza y pedido de piezas de repuesto

7.1 Limpieza

- Después de utilizar el aparato, limpiarlo con un cepillo o un trapo.
- Mantener el aparato en lugar seco y fuera del alcance de los niños. Para guardar el aparato ahorrando espacio, cabe la posibilidad de quitar la bolsa de recogida y poner el arco de empuje en vertical hacia arriba (fig. 9).
- El cuidado regular del cortacésped garantiza no solo que tenga una larga vida útil y un mayor rendimiento, sino que también redundará en pro de la facilidad y eficiencia requeridas a la hora de cortar el césped.

7.2 Mantenimiento

- Asegurarse de que todos los elementos de fijación (tornillos, roscas, etc.) estén siempre bien apretados para poder trabajar de forma segura con el cortacésped.
- Cambiar las piezas desgastadas o que presenten daños.
- Es preciso limpiar y a continuación engrasar todas los componentes con rosca, así como las ruedas y los ejes con el fin de garantizar que tengan una larga vida útil.
- El componente más sometido al desgaste es la cuchilla del husillo de corte. Comprobar regularmente el estado de la cuchilla, del husillo de corte y de la fijación del mismo.
- Si las cuchillas del husillo de corte están desafiladas y se tienen que cambiar, ponerse en contacto con el servicio de asistencia técnica. Utilizar únicamente piezas de recambio originales.

7.2.1 Cómo ajustar la contracuchilla (fig. 8)

¡Aviso! Llevar guantes protectores.

La contracuchilla (21) está preajustada de fábrica.

Es posible que sea preciso reajustarla si se ha utilizado durante mucho tiempo.

- Si la contracuchilla está demasiado suelta, el corte puede resultar tosco e irregular.
- Si la contracuchilla está demasiado ajustada, se producen ruidos y el aparato no se maneja con facilidad.

Ajustar el tornillo de hexágono interior (22) de forma uniforme a ambos lados del aparato para que la contracuchilla (21) y el husillo de corte (23) se muevan sin que apenas puedan oírse.

- Girar el tornillo hexagonal (22) en el sentido de las agujas del reloj = La contracuchilla se acerca al husillo de corte
- Girar el tornillo hexagonal (22) en el sentido contrario a las agujas del reloj = La contracuchilla se aleja del husillo de corte.

La contracuchilla (21) está correctamente ajustada si al girar manualmente sin esfuerzo una rueda hacia delante es posible cortar un trozo de papel entre la cuchilla del husillo de corte (23) y la contracuchilla en toda su longitud.

7.3 Pedido de piezas de repuesto: Servicio

1. **Si su herramienta eléctrica necesita servicio, póngase en contacto con un distribuidor autorizado de Einhell USA o llame al centro de atención al cliente de Einhell USA 1-866-EINHELL (1-866-346-4355).** Utilice exclusivamente piezas de repuesto idénticas para las reparaciones. Solo así se podrá mantener la seguridad de la herramienta eléctrica.
2. **Si el cable del cargador está dañado, cámbielo de inmediato para evitar peligros.** Si necesita asistencia, llame al centro de atención al cliente de Einhell USA® al 1-866-EINHELL (1-866-346-4355).

8. Eliminación y reciclaje

El aparato está protegido por un embalaje para evitar daños producidos por el transporte. Este embalaje es materia prima y, por eso, se puede volver a utilizar o llevar a un punto de reciclaje. El aparato y sus accesorios están compuestos de diversos materiales, como, p. ej., metal y plástico. Los aparatos defectuosos no deben tirarse a la basura doméstica. Para su eliminación adecuada, el aparato debe entregarse a una entidad recolectora prevista para ello. En caso de no conocer ninguna, será preciso informarse en el organismo responsable del municipio.

9. Almacenamiento y transporte

Almacenamiento

Guardar el aparato y sus accesorios en un lugar oscuro, seco, protegido de las heladas e inaccesible para los niños. La temperatura de almacenamiento óptima se encuentra entre los 41°F y 86°F (5 y 30 °C). Guardar la herramienta eléctrica en su embalaje original.

Transporte

- Sujetar el aparato siempre por la empuñadura y no toque la herramienta de corte.
- Poner los dispositivos de protección para el transporte (en caso de existir).
- Proteger el aparato contra daños y fuertes vibraciones, especialmente durante el transporte en vehículos.
- Asegurar el aparato para que no se resbale ni se vuelque.

Sólo está permitido copiar la documentación y documentos anexos del producto, o extractos de los mismos, con autorización expresa de iSC GmbH.

Nos reservamos el derecho a realizar modificaciones técnicas

10. Indicaciones para la eliminación de fallos

Si el aparato se maneja de manera adecuada, no se producirán averías. En caso de avería, comprobar si se trata de alguno de los casos siguientes antes de consultar al servicio de asistencia técnica.

Problema	Posibles causas	Solución
Ruidos anormales	<ul style="list-style-type: none">- ¿Hay tornillos o piezas sueltos?- ¿Hay cuerpos extraños en la cuchilla?- ¿Está dañada la cuchilla?- ¿Es incorrecto el ajuste de la cuchilla?	<ul style="list-style-type: none">- Apretar los tornillos- Retirar los cuerpos extraños- Encargar la sustitución de la cuchilla- Ajustar la contracuchilla (véase 7.2.1)
Resultado insatisfactorio del corte	<ul style="list-style-type: none">- ¿Es incorrecto el ajuste de la cuchilla?- ¿Está roma la cuchilla?	<ul style="list-style-type: none">- Ajustar la contracuchilla (véase 7.2.1)- Afilar la cuchilla o encargar su sustitución

Einhell

LA PROMESA DE EINHELL AL CLIENTE

LO PRIMERO ES LA CALIDAD. El nombre de Einhell es sinónimo de herramientas de alto rendimiento y manufactura europea de alta calidad. Desde destornilladores inalámbricos hasta cortacéspedes eléctricos, Einhell USA diseña y desarrolla innovadoras herramientas para jardinería y eléctricas de mano para amantes del DIY, jardineros aficionados y manitas.

Los equipos de aseguramiento de la calidad y de ingenieros de Einhell USA garantizan que los productos se sometan a las pruebas más exigentes en materia de calidad y rendimiento. Sabemos que incluso las herramientas más resistentes pueden sufrir complicaciones. Si nota alguna anomalía en su producto, le aseguramos que haremos todo lo posible para devolverle una herramienta capaz de trabajar satisfaciendo sus exigencias.

REGISTRO DEL PRODUCTO:

Einhell le recomienda encarecidamente que registre su compra. Puede registrarla online en **EinhellUSA.com**. En caso de no hacerlo, el producto comprado no perderá los derechos de garantía. No obstante, registrando su compra permite que Einhell le preste un mejor servicio de atención al cliente cuando lo necesite.

¿QUÉ CUBRE?

Einhell garantiza al propietario que, si esta máquina falla en un plazo de 2 años a partir de la fecha de compra debido a un defecto en el material, en la manufactura o como resultado de un desgaste normal del uso doméstico ordinario, Einhell le enviará una pieza o un producto de repuesto, según se necesite, de manera gratuita y sin gastos de envío al comprador original. Si, a criterio exclusivo de Einhell, la máquina averiada no se puede reparar con una pieza, Einhell decidirá si a) envía una nueva máquina de manera gratuita y sin gastos de envío, o b) reembolsa al propietario el importe completo de la compra.

¿QUIÉN PUEDE OBTENER COBERTURA DE GARANTÍA?

Einhell hace entrega de la presente garantía al propietario de esta máquina (una "máquina" consiste en un producto alimentado por un motor) para un uso exclusivamente doméstico y privado. Esta garantía está limitada a treinta (30) días a partir de la fecha de compra original de cualquier producto de la marca EINHELL que se use para fines comerciales o cualquier otro fin que produzca beneficios. Si la máquina cambia de propietario durante el periodo de cobertura, actualice la información del propietario de la máquina en **EinhellUSA.com**

¿QUÉ NO CUBRE?

Esta garantía no cubre ningún producto que haya sufrido un uso indebido, negligencia, o accidente, o que haya sido operado de forma contraria a las instrucciones de uso especificadas en el manual de servicio. La presente

garantía no cubre cambios estéticos que no afecten al funcionamiento.

Esta garantía solo será válida si la máquina se usa y mantiene conforme a las instrucciones, advertencias e instrucciones de seguridad indicadas en el manual de servicio. Einhell no se hará responsable del coste de ninguna reparación de garantía no autorizada. Esta garantía no cubre ningún costo o gasto incurrido por el comprador al proporcionar equipos sustitutos o servicio durante períodos razonables de avería o no utilización de este producto, mientras se espera por una pieza de repuesto o nuevo producto conforme a esta garantía.

La garantía no cubre piezas de desgaste como correas, brocas, cadenas ni dientes, que se pueden comprar en **EinhellUSA.com** o llamando al **1-866-EINHELL (1-866-346-4355)**. Las baterías están completamente cubiertas durante 90 días a partir de la fecha de compra.

La reparación, sustitución o el reembolso del precio de compra constituyen compensaciones exclusivas del comprador y única responsabilidad de Einhell conforme a esta garantía. Ningún empleado ni representante de Einhell está autorizado a realizar ninguna garantía adicional ni modificación alguna a la presente garantía que pueda ser vinculante para Einhell. Por consiguiente, el comprador no deberá ampararse en ninguna declaración adicional hecha por ningún empleado o representante de Einhell. Einhell no se hace responsable en ningún caso, ya se base en el contrato, indemnización, garantía, agravio (incluyendo negligencia), responsabilidad absoluta o de otro tipo, de ningún daño especial, indirecto, accidental o consecuentes incluyendo, sin limitaciones, la pérdida de beneficios o ingresos.

Algunos estados no permiten límites en las garantías. En dichos estados, no se aplicarán las limitaciones expuestas anteriormente.

Fuera de EE. UU. y Canadá se aplicarán otras garantías.

Sommaire

1. Consignes de sécurité
2. Description de l'appareil et contenu de l'emballage
3. Utilisation conforme
4. Caractéristiques techniques
5. Avant la mise en service
6. Fonctionnement
7. Nettoyage, entretien et commande de pièces de rechange
8. Élimination et revalorisation
9. Entreposage et transport
10. Indications de dépannage



Danger! - Lire le mode d'emploi pour diminuer le risque de blessures

Cet appareil ne peut pas être utilisé par les enfants. Les enfants doivent être surveillés pour qu'ils ne jouent pas avec l'appareil. Ne confiez pas le nettoyage et l'entretien aux enfants. L'appareil ne doit pas être utilisé par les personnes avec les capacités physiques, sensorielles ou mentales réduites ni par les personnes avec les connaissances ou l'expérience insuffisantes, à moins qu'elles ne soient surveillées ou instruites par la personne ayant autorité sur eux.

Danger !

Certaines mesures de sécurité doivent être respectées pendant l'utilisation des appareils pour empêcher les blessures et les dommages. Par conséquent, lisez attentivement le présent mode d'emploi / les consignes de sécurité. Conservez-les bien pour avoir les informations toujours à la portée de la main. Si vous devez passer l'appareil à d'autres personnes, veuillez leur remettre également le présent mode d'emploi / les consignes de sécurité. Nous ne sommes pas tenus des accidents ou dommages survenus à cause de non-respect du présent mode d'emploi et des consignes de sécurité.

1. Consignes de sécurité**Danger !**

Lisez toutes les consignes de sécurité et instructions. Le non-respect des consignes de sécurité et des instructions peut causer une électrocution, un incendie et / ou de graves blessures. **Conservez toutes les consignes de sécurité et instructions pour l'avenir.**

Consignes de sécurité pour la tondeuse à gazon

- Avant chaque utilisation, vérifiez si l'appareil présente des dommages. Ne confiez les travaux de réparation qu'à notre atelier de service.
- Les pièces d'usure usées ne doivent être remplacées que par notre atelier de service. En cas de besoin, adressez-vous à l'adresse du service après-vente indiquée.

Informations concernant l'utilisation sans danger**Formation**

- a) Lisez attentivement le mode d'emploi. Familiarisez-vous avec les dispositifs de commande et l'usage correct de l'appareil.
- b) N'autorisez jamais les enfants ou autres personnes qui n'ont pas lu le mode d'emploi d'utiliser la tondeuse à gazon. Des dispositions locales peuvent fixer l'âge minimal de l'utilisateur.
- c) Ne tondez jamais le gazon si quelqu'un, en particulier les enfants ou les animaux, se tient à proximité.
- d) N'oubliez pas que c'est l'opérateur ou l'utilisateur qui sont responsables des accidents impliquant d'autres personnes ou leur propriété.

Mesures préparatoires

- a) Lors de l'utilisation de l'appareil, porter toujours des chaussures rigides et un pantalon long. N'utilisez pas l'appareil pieds nus ou en sandales légères. Ne portez pas des vêtements amples avec des cordons ou ceintures pendants.
- b) Examinez la surface sur laquelle l'appareil sera utilisé et enlevez tous les objets pouvant être happés ou projetés par l'appareil.
- c) Avant l'utilisation, effectuez toujours un contrôle visuel pour contrôler si les outils de coupe, les boulons de fixation et l'unité de coupe dans l'ensemble sont usés ou endommagés. Pour éviter un déséquilibre, les outils de coupe usés ou endommagés et les boulons de fixation doivent être remplacés uniquement par jeux. Les panneaux de signalisation usés ou endommagés doivent être remplacés.

Maniement

- Tondez le gazon uniquement à la lumière du jour ou avec un bon éclairage artificiel.
- L'appareil ne devrait pas être utilisé si l'herbe est mouillée.
- Faites toujours attention à la bonne position et au maintien sûr sur les pentes.
- Ne menez l'appareil qu'au pas.
- Tondez le gazon toujours perpendiculairement à la pente et jamais de façon ascendante ou descendante.
- Soyez particulièrement vigilant en changeant de direction sur la pente.
- Ne tondez pas le gazon sur des pentes excessivement raides.
- Soyez particulièrement vigilant en retournant la tondeuse à gazon ou en la ramenant vers vous.
- N'utilisez jamais la tondeuse à gazon avec des dispositifs de protection endommagés ou sans dispositifs de protection montés, p. ex., les tôles de défection ou les collecteurs d'herbe.
- Ne mettez jamais les mains ou les pieds sur ou en-dessous des pièces tournantes. Tenez-vous toujours loin de l'ouverture d'éjection.

Maintenance et entreposage

- Veillez à ce que tous les écrous, boulons et vis soient bien serrés et que l'appareil soit en état sûr.
- Pour des raisons de sécurité, faites remplacer les pièces usées ou endommagées. Utilisez

exclusivement les pièces de rechange et les accessoires d'origine.

- En réglant l'appareil, faites attention à ce que vos doigts ne soient coincés entre les lames mobiles et les pièces fixes de l'appareil.

Conservez bien les consignes de sécurité.

Explication de la plaque signalétique sur l'appareil (voir la fig. 10)

1. « Avertissement – Lire le mode d'emploi pour réduire le risque de blessures »
2. Attention ! Éloigner de la zone de danger les personnes non impliquées et les animaux.
3. Attention ! – Lames coupantes
4. Faire attention aux lames tournantes. Ne pas garder les mains et les pieds dans des ouvertures lorsque l'appareil est en marche.

2. Description de l'appareil et contenu de l'emballage

2.1 Description de l'appareil (fig. 1)

1. Poignée de manœuvre
2. Cylindre de coupe hélicoïdal
3. Roue
4. Boîtier
5. Collecteur d'herbe
6. Sangle de maintien
7. Collecteur d'herbe avec sangles de maintien
8. Tondeuse à gazon manuelle (pré-montée)
9. Partie inférieure de la poignée de manœuvre
10. Extension de la poignée de manœuvre (2 pièces)
11. Partie supérieure de la poignée de manœuvre
12. Vis (6 pièces)
13. Écrou à ailettes (6 pièces)
14. Goupille de sécurité (2 pièces)
15. Alésages de réglage pour la poignée de manœuvre
16. Alésage pour la goupille de sécurité
17. Roulette
18. Boulon à ressort
19. Alésage de réglage pour la hauteur de coupe
20. Échelle de hauteur de coupe
21. Contre-lame
22. Vis à six pans creux
23. Cylindre de coupe hélicoïdal

2.2 Contenu d'emballage

Veillez contrôler l'intégralité de l'article au moyen du contenu d'emballage décrit. En cas de pièces manquantes, veuillez contacter notre centre de service à la clientèle ou le point de vente où vous avez acheté l'appareil au plus tard dans les 5 jours ouvrables à compter de l'achat de l'article en présentant un ticket de caisse valable.

- Ouvrez l'emballage et retirez-en prudemment l'appareil.
- Enlevez le matériau d'emballage ainsi que les sécurités d'emballage et de transport (le cas échéant).
- Contrôlez l'intégralité du contenu d'emballage.
- Vérifiez si l'appareil et les accessoires présentent des dommages dus au transport.
- Si possible, conservez l'emballage jusqu'à l'expiration de la durée de garantie.

Danger !

L'appareil et le matériau d'emballage ne sont pas un jouet ! Les enfants ne doivent pas jouer avec des sachets en plastique, des films ou de petites pièces ! Il existe le risque d'ingestion et de suffocation !

- Mode d'emploi d'origine
- Consignes de sécurité

3. Utilisation conforme

La tondeuse à gazon manuelle est destinée pour couper de l'herbe.

La tondeuse à gazon manuelle convient pour l'utilisation privée dans son jardin. Sont considérées comme tondeuses à gazon manuelle pour le jardin privé les tondeuses à gazon qui sont principalement utilisées pour l'entretien des pelouses et des gazons, cependant pas dans les installations publiques ou sportives, ni pour les surfaces agricoles ou forestières.

Attention ! À cause du risque de dommages corporels de l'utilisateur, la tondeuse à gazon manuelle ne doit pas être utilisée pour couper des plantes suspendues ni pour tondre les toitures végétalisées ou les jardinières.

La machine ne doit être utilisée que conformément à sa destination. Toute autre utilisation dépassant ce cadre n'est pas conforme. C'est

l'utilisateur / l'opérateur qui est responsable de tous les dommages ou blessures de toute nature en résultant et non pas le fabricant.

Veillez noter que nos appareils n'ont pas été conçus pour une utilisation commerciale, artisanale ou industrielle. Nous n'accordons aucune garantie si l'appareil est utilisé dans des entreprises commerciales, artisanales ou industrielles ou pour des activités équivalentes.

4. Caractéristiques techniques

Largeur de travail : 380 mm (15 po.)
Hauteur de coupe : . 13 - 38 mm (0,5 po. - 1,5 po.)
Poids:9 kg (19,8 lb)

5. Avant la mise en service

Avertissement ! Portez des gants de protection pendant tous les travaux de montage et de maintenance.

Montage

Fig. 3 : Vissez la partie supérieure de la poignée de manœuvre (11) aux deux extrémités longues des extensions de la poignée de manœuvre (10). Utilisez pour cela deux vis (12) et deux écrous à ailettes (13). L'utilisation des alésages de réglage pour la poignée de manœuvre (15) prolonge la poignée de manœuvre d'env. 6 cm (2,4 po.).

Fig. 4 : Vissez la partie inférieure de la poignée de manœuvre (9) aux deux extrémités courtes des extensions de la poignée de manœuvre (10). Utilisez pour cela quatre vis (12) et quatre écrous à ailettes (13).

Fig. 5 : Accrochez d'abord un côté de la partie inférieure de la poignée de manœuvre (9) à la tondeuse, puis comprimez un peu la partie inférieure de la poignée de manœuvre (9) et accrochez l'autre côté.

Fig. 5/6 : Pour fixer la partie inférieure de la poignée de manœuvre à la tondeuse, insérez une goupille de sécurité (14) dans l'alésage sur chaque côté (fig. 5 / pos. 16).

Accrochez le collecteur d'herbe à gauche et à droite de la roulette (fig. 8 / pos. 17). Le collecteur d'herbe (5) est en outre fixé à la poignée de

manœuvre (1) au moyen de la sangle de maintien (6) (v. fig. 1). Réglez la sangle de maintien selon vos besoins.

6. Fonctionnement

6.1 Réglage de la hauteur de coupe (fig. 7)

La hauteur peut être réglée à 4 niveaux dans la plage entre 13 – 38 mm (0,5 po. et 1,5 po.). Pour ce faire, tirez le boulon à ailettes (18) vers l'extérieur par les deux côtés et laissez-le s'enclencher dans l'alésage de réglage (19) souhaité. Vous pouvez lire la hauteur de coupe réglée sur l'échelle (20).

Remarque : La roulette (17) doit être orientée parallèlement à la tondeuse à gazon manuelle (la même hauteur des boulons à ailettes (18)).

6.2 Utilisation

La tondeuse à gazon manuelle peut couper d'herbe jusqu'à une longueur d'env. 3,9" (100mm). Cependant, si la surface à tondre doit être soignée, le gazon doit être maintenu plus court.

Au début de la saison de coupe et sur les gazons nouvellement créés, l'on choisit une hauteur relativement élevée que l'on réduit progressivement à mesure des coupes ultérieures. Pour que le gazon ait l'air bien entretenu, la hauteur de coupe doit être réglée à env. 25,4 mm (1 po.). Si possible, tondez votre gazon toutes les semaines. En cas de coupes fréquentes, la croissance passe aux tiges coupées court et les rend résistantes. Tondez votre gazon toujours dans un état relativement sec. Pour obtenir une coupe correcte, poussez votre tondeuse au pas de façon la plus droite possible. Les tracés de coupe doivent toujours se chevaucher de quelques centimètres pour ne pas laisser de bandes de gazon non tondues.

7. Nettoyage, entretien et commande de pièces de rechange

7.1 Nettoyage

- Nettoyer l'appareil après l'usage avec une brosse ou un chiffon.
- Conservez l'appareil dans un endroit sec inaccessible aux enfants. En cas de besoin, pour gagner de la place, vous pouvez enlever le collecteur d'herbe et poser la poignée de manœuvre verticalement (fig. 9).
- L'entretien régulier de la tondeuse à gazon non seulement garantit sa durabilité et sa performance pendant longtemps, mais contribue également à rendre la tonte de votre gazon soignée et simple.

7.2 Maintenance

- Veillez à ce que tous les éléments de fixation (vis, écrous, etc.) soient toujours bien serrés pour pouvoir utiliser la tondeuse en toute sécurité.
- Remplacez les pièces usées ou endommagées.
- Pour garantir une longue durée de vie, nettoyez et huilez tous les vissages ainsi que les roues et les essieux.
- Le composant le plus exposé à l'usure est la lame du cylindre de coupe hélicoïdal. Contrôlez régulièrement l'état et la fixation de la lame du cylindre de coupe hélicoïdal.
- Si les lames du cylindre de coupe hélicoïdal s'émoussent et doivent être remplacées, veuillez vous adresser à notre service à la clientèle. Utilisez uniquement des pièces d'origine.

7.2.1 Régler la contre-lame (fig. 8)

Avertissement ! Porter des gants de protection.

La contre-lame (21) est préréglée à l'usine. Après une utilisation prolongée, un ajustement peut s'avérer nécessaire.

- Si la contre-lame est lâche, la coupe devient grossière et irrégulière.
- Si la contre-lame est trop serrée, des bruits apparaissent et l'appareil devient dur à pousser.

Réglez les vis à six pans creux (22) sur les deux côtés de l'appareil de manière régulière de sorte que la contre-lame (21) et le cylindre de coupe hélicoïdal (23) se touchent de façon presque inaudible.

- Tourner la vis à six pans creux (22) dans le sens des aiguilles d'une montre = la contre-lame s'approche du cylindre de coupe hélicoïdal.
- Tourner la vis à six pans creux (22) dans le sens contraire aux aiguilles d'une montre = la contre-lame s'éloigne du cylindre de coupe hélicoïdal.

La contre-lame (21) est correctement réglée si une feuille de papier est coupée sur toute la longueur entre les lames du cylindre de coupe hélicoïdal (23) et la contre-lame, alors que l'on tourne aisément la roue vers l'avant.

7.3 Commande des pièces de rechange : Service

1. **Si votre outil électrique doit être réparé, veuillez contacter un distributeur autorisé d'Einhell USA ou appeler le centre de service à la clientèle d'Einhell USA au numéro 1-866-EINHELL (1-866-346-4355).** Seules les pièces de rechange identiques doivent être utilisées pour les réparations. Cela permet de garantir la sécurité de l'outil électrique.
2. **Si le câble du chargeur est endommagé, il doit être immédiatement remplacé pour empêcher un accident.** Pour obtenir de l'assistance, veuillez contacter le centre de service à la clientèle d'Einhell USA® au numéro 1-866-EINHELL (1-866-346-4355).

8. Élimination et revalorisation

L'appareil se trouve dans un emballage pour empêcher les dommages dus au transport. Cet emballage constitue une matière première et peut par conséquent être réutilisé ou peut être recyclé. L'appareil et ses accessoires sont fabriqués à partir de différents produits, comme p. ex. le métal et les matières plastiques. Ne jetez pas les appareils défectueux dans les déchets ménagers. Pour être éliminé de façon appropriée, l'appareil devrait être déposé à un lieu de collecte approprié. Si vous ne connaissez aucun lieu de collecte, informez-vous auprès de l'administration municipale.

9. Entreposage et transport

Entreposage

Conservez l'appareil et ses accessoires dans un endroit sombre, sec et exempt de gel ainsi que hors la portée des enfants. La température de conservation optimale se situe entre 41 °F et 86 °F (5 °C et 30 °C). Conservez l'outil électrique dans l'emballage d'origine.

Transport

- Portez l'appareil toujours par la poignée et ne touchez pas l'outil de coupe.
- Apposez des dispositifs de protection de transport, s'il y en a.
- Protégez l'appareil contre les dommages et de fortes vibrations, que l'on observe en particulier lors de transport dans des véhicules.
- Protégez l'appareil contre le glissement et le renversement.

Une réimpression ou toute autre reproduction de la documentation et des documents accompagnant les produits, même par extraits, ne sont autorisées qu'avec accord exprès d'ISC GmbH.

Sous réserve des modifications techniques.

10. Indications de dépannage

Si l'appareil est utilisé correctement, il ne doit pas y avoir de dysfonctionnements. En cas de dysfonctionnements, examinez les possibilités suivantes avant de contacter le service à la clientèle.

Problème	Cause possible	Remède
Bruit anormal	<ul style="list-style-type: none">- Vis / pièces relâchées ?- Corps étranger dans la lame ?- Lame endommagée ?- Réglage de lame incorrect ?	<ul style="list-style-type: none">- Resserrer les vis- Retirer le corps étranger- Faire remplacer la lame- Régler la contre-lame (v. 7.2.1)
Résultat de coupe insuffisant	<ul style="list-style-type: none">- Réglage de lame incorrect ?- Lame émoussée ?	<ul style="list-style-type: none">- Régler la contre-lame (v. 7.2.1)- Aiguiser ou faire remplacer la lame

Einhell

PROMESSE D'EINHELL À SES CLIENTS

LA QUALITÉ PRIME. Le nom d'Einhell est synonyme des outils performants et de la fabrication européenne de haute qualité. Des perceuses sans fil aux tondeuses à gazon électriques, Einhell USA conçoit et développe des outils électriques et de jardinage à main de pointe pour les bricoleurs, jardiniers amateurs et réparateurs.

Les équipes d'assurance de la qualité et d'ingénieurs d'Einhell USA garantissent que les produits subissent de sévères tests de qualité et de performance. Nous savons que parfois les outils solides traversent les époques dures. Si jamais vous avez un problème avec votre produit, soyez sûr que nous ferons tout notre possible pour vous rendre un outil prêt à travailler aussi dur que vous.

ENREGISTREMENT DU PRODUIT :

Einhell vous encourage vivement d'enregistrer votre achat. Vous pouvez enregistrer en ligne sur **EinhellUSA.com**. Si vous n'enregistrez pas le produit que vous avez acheté, cela n'affectera pas vos droits de garantie. Toutefois, si vous enregistrez votre achat, Einhell pourra mieux vous servir pour tous vos besoins de client.

QU'EST-CE QUI EST COUVERT ?

Einhell garantit au propriétaire que si cet appareil a un problème pendant une période de 2 ans à partir de la date d'achat à cause d'un défaut de matériau ou de fabrication ou en raison de l'usure normale au cours d'un usage domestique normal, Einhell enverra une pièce ou un produit de rechange, au besoin, gratuitement et sans frais de port à l'acheteur initial. Si, à la seule discrétion d'Einhell, l'appareil défectueux ne peut pas être réparé avec une pièce, Einhell soit (A) enverra gratuitement et sans frais de port un nouvel appareil, soit (B) remboursera au propriétaire la totalité du prix d'achat.

QUI PEUT SOLLICITER LA COUVERTURE DE GARANTIE ?

Cette garantie est consentie par Einhell au propriétaire de cet appareil (un « appareil » consiste en un produit alimenté par un moteur) pour un usage domestique personnel exclusivement. Cette garantie est limitée aux trente (30) jours à compter de l'achat initial de tout produit de marque EINHELL utilisé à des fins commerciales ou à d'autres fins lucratives. Si la propriété de cet appareil change pendant la période couverte, veuillez mettre à jour l'information relative au propriétaire de l'appareil sur **EinhellUSA.com**

QU'EST-CE QUI N'EST PAS COUVERT ?

Cette garantie ne couvre pas les produits ayant fait l'objet d'un usage abusif ou négligent, d'un manque d'entretien, ayant été impliqués dans un accident ou employés d'une façon contraire au mode d'emploi, comme c'est spécifié dans le guide d'utilisation. Cette

garantie ne couvre pas les modifications superficielles n'affectant pas la performance.

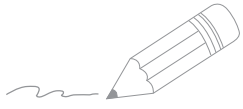
Cette garantie n'est valable que si l'appareil est utilisé et entretenu conformément aux instructions, avertissements et mises en garde figurant dans le manuel du propriétaire. Einhell ne sera pas responsable du coût des réparations de garantie non autorisées. Cette garantie ne couvre pas les coûts et dépenses engagés par l'acheteur pour se procurer un équipement ou un service de substitution pendant les périodes raisonnables de dysfonctionnement ou de non-utilisation de ce produit dans l'attente d'une pièce ou d'une unité de rechange en vertu de cette garantie.

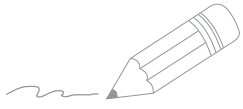
Les pièces d'usure, comme les courroies, les vis sans fin, les chaînes et les dents, ne sont pas couvertes par cette garantie et peuvent être achetées sur **EinhellUSA.com** ou en appelant au numéro **1-866-EINHELL (1-866-346-4355)**. Les batteries sont entièrement couvertes pendant 90 jours à partir de la date d'achat.

La réparation, le remplacement et le remboursement du prix d'achat sont les seuls moyens de l'acheteur et la seule responsabilité d'Einhell au titre de cette garantie. Les employés et les représentants d'Einhell ne sont pas autorisés à concéder une garantie supplémentaire ni à apporter une modification de cette garantie susceptible d'engager Einhell. Par conséquent, l'acheteur ne devrait pas se fier aux déclarations supplémentaires faites par un employé ou un représentant d'Einhell. En aucun cas, sur la base d'un contrat, d'une indemnisation, d'une garantie, d'un tort (y compris la négligence), d'une responsabilité sans faute, etc., Einhell ne sera responsable des dommages spécifiques, indirects, accessoires ou consécutifs, y compris mais sans s'y limiter la perte de bénéfices ou de revenus.

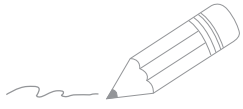
Certains États n'autorisent pas de limitations aux garanties. Dans tels États, les limitations ci-dessus pourraient ne pas s'appliquer à vous.

D'autres garanties peuvent s'appliquer en dehors des États-Unis et le Canada.





A series of horizontal lines for writing, starting from the top right of the page and extending downwards. The first line is partially obscured by the pencil illustration.



A series of horizontal lines for writing, starting from the top right of the page and extending downwards. The first line is partially obscured by the pencil illustration.

Einhell

www.EinhellUSA.com

EH 12/2018 (01)