



# LED EP16-2050w

Part #: EBP16DM/B/6W/400/38D/50K/GU10/W Bulb Class: PAR16



## Product Description

**LED EP16-2050w** delivers superior brightness, valuable energy savings, long lasting performance and true color perception. This flood PAR16 LED bulb is ideal for accent lighting due to its focal \*cool white light (5000K) replacing conventional 50 Watt incandescent bulbs. Built-in MCOB LED Technology offers exceptional light uniformity, energy efficiency, and optimal heat dissipation guaranteeing durability and constant bulb performance. Enjoy features such as: instant on, dimming options, shatter resistance, mercury free and 90+ CRI.



**Estimated Energy Cost:** \$0.72 per year



**MCOB**  
LED TECHNOLOGY

**50W**  
REPLACEMENT

\*Note: Design, features and specifications subject to change without notice. Some features may not be available on all models. For more information regarding dimmer compatibility please visit: [www.eurilighting.com](http://www.eurilighting.com) or call 1-888-743-5766

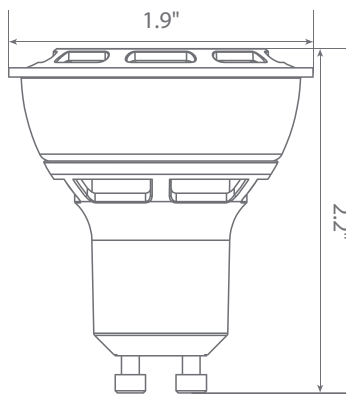
## Specifications

| Input Power | Input Voltage     | Lumen Output | Beam Angle    | Center Beam | CCT           |
|-------------|-------------------|--------------|---------------|-------------|---------------|
| 6 W         | 120 V             | 400 lm       | 38°           | 632 cd      | 5000 K        |
| CRI         | Luminous Efficacy | Power Factor | Input Current | Base/Cap    | Lamp Lifespan |
| 91          | 66 lm/W           | 0.9          | 0.05 A        | GU10        | 25,000 Hrs.   |

### Product Features

- Dimmable
- Instant-On/Off
- Mercury Free
- Energy Efficient

### Product Dimensions



### Product Photometric Data

