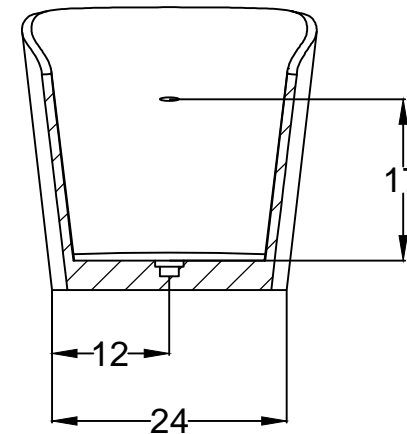
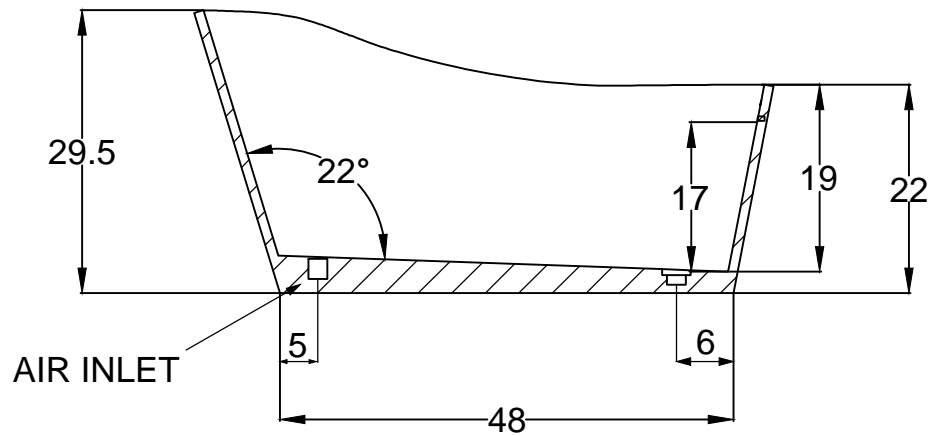


OVERFLOW IS INTEGRAL TO THE TUB

BACKREST HAS A LUMBAR SUPPORT



HYDRO SYSTEMS, INC.

29132 Avenue Paine, Valencia, CA 91355
661.775.0686, fax 661.775.0668, www.hydrossystem.com

Note: The information contained on this drawing is the sole property of Hydro Systems, Inc. Any reproduction in part or as a whole without the written permission of Hydro Systems, Inc. is prohibited.

Title: **Rodeo**

Date: May 2, 2018

Rev: 2 -

Scale: None

Date:

Material: Acrylic and Fiberglass, 1/4" nominal thickness