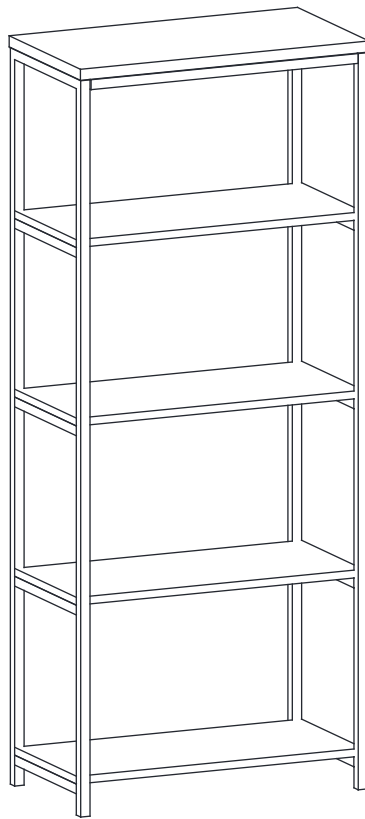


USE AND CARE GUIDE

BLACK FRAME WITH HAZE WOOD BOOKCASE
WHITE FRAME WITH NATURAL WOOD BOOKCASE



Questions, problems, missing parts?
Before returning to the store, call Customer Service.
8 a.m. – 7 p.m., EST, Monday – Friday, 9 a.m. – 6 p.m., EST, Saturday

1-877-527-0313

HOMEDEPOT.COM

THANK YOU

*We appreciate the trust and confidence you have placed in Stylewell through the purchase of this Black/White frame with haze/natural wood bookcase
We strive to continually create quality products designed to enhance your home. Visit us online to see our full line of products available
for your home improvement needs. Thank you for choosing Stylewell!*

Table of Contents

Table of Contents.....	2	Pre-assembly (continued).....	4
Safety Information.....	2	Package Contents.....	4
Warranty.....	2	Assembly	5
1 Year Warranty.....	2	Maintenance.....	7
What is Covered.....	2	Care and Cleaning.....	7
What is Not Covered.....	2	Troubleshooting.....	7
Pre-assembly.....	3		
Planning Assembly.....	3		
Tools Required.....	3		
Hardware Included.....	3		

Safety Information

DANGER

- Keep small parts away from children during assembly.
- Read and follow instructions carefully.

WARNING

- Read these instructions carefully and keep in a safe place.
- TO GUARANTEE THE SAFE USE OF THIS PRODUCT, FOLLOW THE WARNINGS, GUIDELINES AND RECOMMENDATIONS IN THIS MANUAL.
- Adult assembly required.
- Small parts may present choking hazard prior to assembly.

CAUTION

- Do not use power tools to assemble your furniture. Power tools may strip or damage parts/product.
- Do not overtighten connectors (screws, bolts, etc.). Overtightening can lead to product damage.
- Be sure to check all packing materials carefully for small parts that may have come loose inside the carton during shipment. If parts are missing, contact THE HOME DEPOT to obtain any missing parts.
- DO NOT USE SUBSTITUTE PARTS.
- This product should only be used on a flat, level surface.
- Product is designed to hold 50 lbs for shelves. Exceeding this limit may damage the product or cause injury to the user.
- Assembly requires two people; assembly alone may cause injury.

Warranty

1 YEAR WARRANTY

WHAT IS COVERED

We guarantee this product to be free of manufacturing defects to the original purchaser for one year.

WHAT IS NOT COVERED

This warranty does not cover commercial use, acts of nature, and abusive use.

Pre-assembly

PLANNING ASSEMBLY

Ensure all parts and components are present before beginning assembly.
Assemble on a soft, smooth surface to prevent damage to product finish.
Do not overtighten screws and bolts to avoid stripping.



NOTE: DO NOT use power tools.

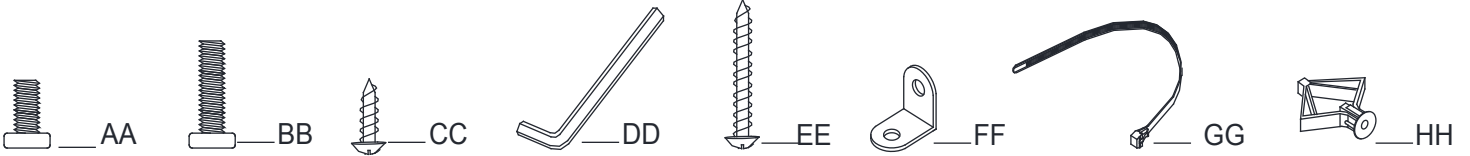


Phillips
screwdriver

HARDWARE INCLUDED



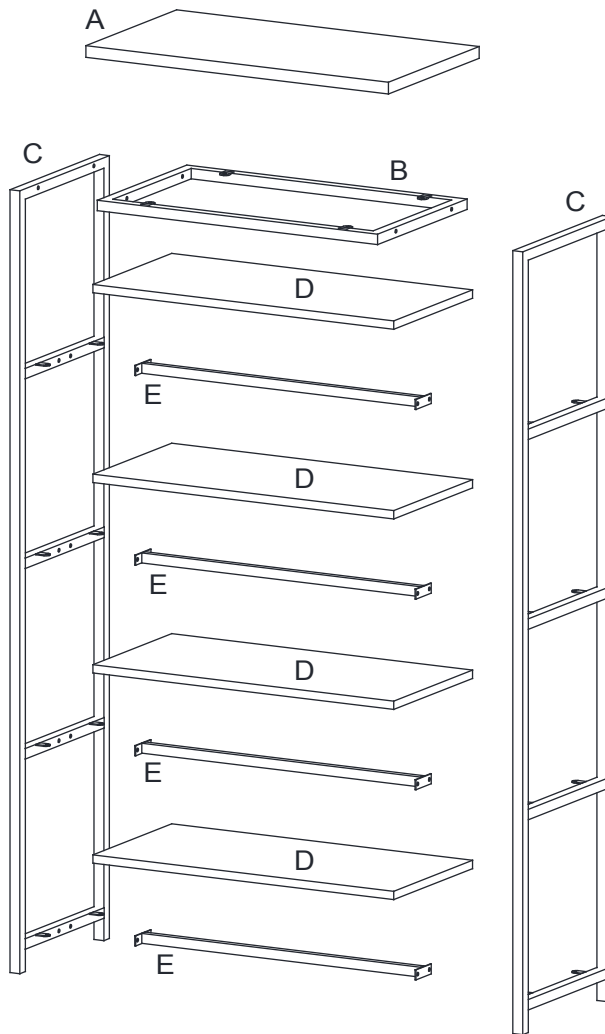
NOTE: Hardware not shown to actual size.



Part	Hardware list	Quantity
AA	Bolt 1/4x12mm	16
BB	Bolt 1/4x20mm	4
CC	Screw 15mm	20
DD	Allen wrench	1
EE	Wall screw	2
FF	Metal plate	2
GG	Strap	2
HH	Wall anchor	2

Pre-assembly (continued)

PACKAGE CONTENTS

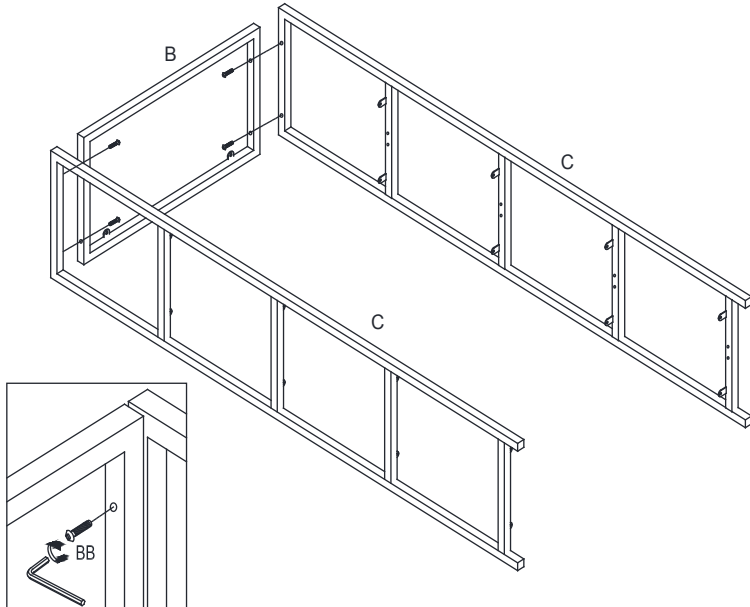


Part	Part Description	Quantity
A	Wood top	1
B	Top frame	1
C	Side frame	2
D	Wood shelf	4
E	Shelf support	4

Assembly

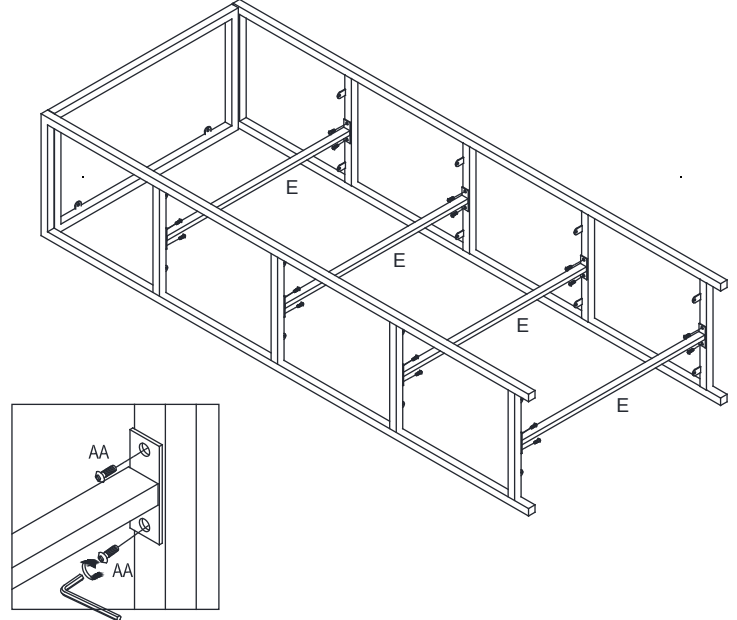
1 Attaching the Top frame

- Attach the top frame (B) to the side frame (C) with bolt (BB) and tighten with Allen wrench (BB) . Do not fully tighten bolts.



2 Attaching the shelf support

- Attach the shelf support (E) to the side frame (C) with bolt (AA) and tighten with Allen wrench (BB).



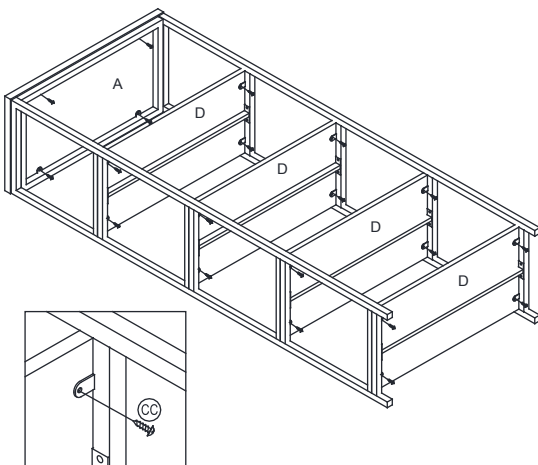
Assembly

3 Attaching the Large table top

- Attach the wood top (A) to wood shelf (D) to pre-assembled metal base with screw (CC).
Use a Phillips head screwdriver (not included) to tighten the screws.



NOTE: Table top (A) does not have pre-drilled holes. Wood screws (CC) will make their own holes in table top (A) and shelf (D).

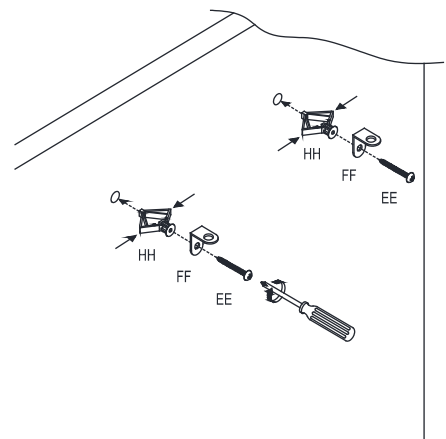


4 Attaching the wall anchors

- After locating the desired placement for your unit, drill 2 small guide holes and insert the anchors (HH) into your wall. Then attach metal plate (FF) to wall using screws (EE). Use a Phillips head screw driver (not included) to tighten the screws.

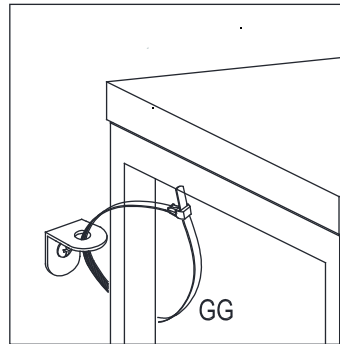
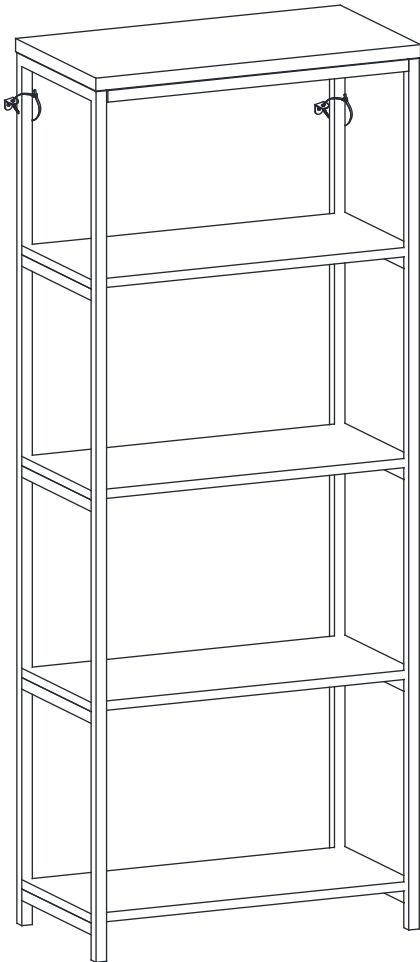


NOTE: For your safety, to prevent the danger of this unit tipping over, it is important that the wall anchors are properly attached.



5 Attaching the book case

- Put the bookcase on a level surface and fully tighten all bolts previously tightened with Allen wrench. Tighten all the bolts on a level surface.
- Attach the book case to wall using straps(GG) as shown.



WARNING

Serious or fatal crushing injuries can occur from furniture tip-over. To help prevent tip-over:

- Install tipover restraint provided.
 - Place heaviest items in the lowest drawers.
 - Do not set TV's or other heavy objects on top of this product, unless the product is specifically designed to accommodate them.
 - Never allow children to climb or hang on drawers, doors, or shelves.
 - Never open more than one drawer at a time.
- (OR)
- Do not defeat or remove the drawer interlock system.

Use of tip-over restraints may only reduce, but not eliminate, the risk of tip-over.

This is a permanent label. Do not remove!

Maintenance

- Check bolts/screws periodically and tighten them if necessary.

Care and Cleaning

- Dust this item regularly with a soft, lint-free cloth to prevent soil buildup.
- Wipe away spills immediately to prevent staining using a clean cloth dampened with water.
- Do not use liquid or abrasive cleaners on the metal frame, as this may damage the finish.

Troubleshooting

Problem	Solution
Not all of the product's legs touch the floor.	Make sure adjustable center feet levelers are adjusted properly. The levelers are pre-assembled on the bottom of the legs.
	The product is KD construction. You may need to loosen the bolts and place the product on a flat surface. Ensure that the legs all touch the flat surface and then re-tighten the bolts.
	Loosen all the bolts and apply some weight to the product to get all the feet to touch the floor. Then re-tighten the bolts in that position.
One or more of the bolts do not fit in the holes correctly.	The product is KD construction. Do not fully tighten the bolts before all the bolts are completely lined up and inserted into holes. Loosen the bolts and make sure all bolts are lined up and inserted into the holes.

StyleWell™

**Questions, problems, missing parts?
Before returning to the store, call Customer Service
8 a.m. – 7 p.m., EST, Monday – Friday, 9 a.m. – 6 p.m., EST, Saturday**

1-877-527-0313

HOMEDEPOT.COM

Retain this manual for future use.