

# BLACKSTONE®

MODEL #1650

Français p. 13  
Español p. 25

Owner's Manual

# 17" Tabletop Griddle



**VIDEO ASSEMBLY**  
[www.blackstoneproducts.com/17griddle](http://www.blackstoneproducts.com/17griddle)

**⚠ WARNING ⚠**

**FOR OUTDOOR USE ONLY**

Please read manual carefully before assembly  
Retain this manual for future reference

# TABLE OF CONTENTS

Product Registration.....	2
For Your Safety.....	3
Use and Care.....	5
Assembly & Lighting .....	7
Care, Maintenance, & Troubleshooting.....	10
Grill Warranty.....	11
Customer Service.....	12
Griddle Seasoning.....	12

## PRODUCT REGISTRATION

To register your BLACKSTONE product please go to [www.blackstoneproducts.com/register](http://www.blackstoneproducts.com/register)

Model Number: \_\_\_\_\_

Serial Number: \_\_\_\_\_

Date Purchased: \_\_\_\_\_

### To Installer/Assembler:

Leave these instructions with consumer.

### To Consumer:

Keep this manual for future reference.

## SAFETY SYMBOLS

The symbols and boxes shown below explain what each heading means. Read and follow all of the messages found throughout the manual.

### DANGER

**DANGER:** Indicates an imminently hazardous situation which, if not avoided, will result in death or serious injury.

### WARNING

**WARNING:** Be alert to the possibility of serious bodily injury if the instructions are not followed. Be sure to read and carefully follow all of the messages.

### CAUTION

**CAUTION:** Indicates a potentially hazardous situation which, if not avoided, may result in minor or moderate injury.

### CALIFORNIA PROPOSITION 65 WARNING

**WARNING:** This product contains chemicals known to the State of California to cause cancer and birth defects or other reproductive harm. (California law requires this warning be given to customers in the State of California.)

For more information: [www.watts.com/prop65](http://www.watts.com/prop65)

# FOR YOUR SAFETY

This instruction manual contains important information necessary for the proper assembly and safe use of the appliance. Read all warnings and instructions before assembling and using the appliance. Follow all warnings and instructions when assembling and using the appliance. Failure to follow these instruction could result in fire or explosion which could cause property damage, personal injury, or death.

## DANGER

### If you smell gas:

1. Shut off gas to the appliance.
2. Extinguish any open flame.
3. Open lid
4. If odor continues, keep away from the appliance and immediately call your fire department.

Failure to follow these instructions could result in fire or explosion which could cause property damage, personal injury or death.

## WARNING

Do not store or use gasoline or other flammable liquids or vapors in the vicinity of this or any other appliance.

### WARNING:

It is the consumer's responsibility to see that the BLACKSTONE 17" Griddle is properly assembled, installed, and maintained. Failure to follow the instructions in this manual could result in bodily injury and/or property damage.

### PRECAUTIONS:

- Do not operate BLACKSTONE 17" Griddle any closer than 36 inches from any combustible construction, including walls and ceilings. Never use indoors.
- Do not use this appliance under overhead combustible surfaces.
- If this regulator fails, it must be replaced with the exact model. Please call customer service for a BLACKSTONE authorized replacement part.
- Perform a visual inspection of the gas path, from the tank connection to the element orifices for any breaks, leaks, cracks or intrusions. Begin at the tank and continue to the gas line connection. Visually inspect the knob mechanism for similar defects. Follow the gas path to the elements. Look for abnormalities or cracks on the element or orifices at the center of the grill box. Please contact customer service with any questions or concerns.

## WARNING

- This appliance shall be used only outdoors, and shall not be used in a building, garage, or any other enclosed area.
- This appliance is not intended to be installed in or on recreational vehicles.
- The use of alcohol, prescription or non-prescription drugs may impair the consumer's ability to properly assemble or safely operate the appliance.
- In the event of an oil or grease fire do not attempt to extinguish with water. Immediately call the fire department. A Type BC or ABC fire extinguisher may, in some circumstances contain the fire.
- Do not leave the appliance unattended. Keep children and pets away from the appliance at all times.
- This appliance is not intended for and should never be used as a heater.
- This appliance will be hot during and after use. Use insulated oven mitts or gloves for protection from hot surfaces or splatter from cooking liquids.

Call the BLACKSTONE Griddle Information Center for help and missing parts, assembly questions, and operation problems. Before returning BLACKSTONE 17" Griddle to the store, call: USA 435.252.3030 or email us at support@blackstoneproducts.com



## CAUTION

Some parts may contain sharp edges, especially as noted in these instructions. Wear protective gloves if necessary.



## CAUTION

For outdoor residential use only. Do not use for commercial cooking.

## Installation Safety Precautions

- Use BLACKSTONE 17" Griddle, as purchased.
- BLACKSTONE 17" Griddle installation must conform with local codes, or in the absence of local codes, with either the National Fuel Gas Code, ANSI Z223.1/ NFPA 54, Natural Gas and Propane Installation Code, CSA B149.1, or Propane Storage and Handling Code, B149.2, or the Standard for Recreational Vehicles, ANSI A 119.2/NFPA 1192, and CSA Z240 RV Series, Recreational Vehicle Code, as applicable.
- BLACKSTONE 17" Griddle is not for use in or on recreational vehicles and/or boats.
- This BLACKSTONE 17" Griddle is safety certified for use in the United States only. Do not modify for use in any other location. Modification will result in a safety hazard.
- The pressure regulator supplied with the appliance must be used. Replacement pressure regulators must be those specified by the appliance manufacturer.
- Place dust cap on cylinder valve outlet whenever the cylinder is not in use. Only install the type of dust cap on the cylinder valve outlet that is provided with the cylinder valve. Other types of caps or plugs may result in leakage of propane.

## Safety Maintenance

- Keep appliance area clear and free from combustible materials, gasoline and other flammable vapors and liquids.
- Do not obstruct the flow of combustion and ventilation air flow.
- Keep the ventilation opening of the cylinder enclosure free and clear from debris.
- Visually check burner flames.
- Clean appliance, including special surfaces, with recommended cleaning agents, if necessary.
- Check and clean burner/venturi tube for insects and insect nests. A clogged tube can lead to a fire beneath the appliance.

# USE AND CARE

## Safety Tips

- When BLACKSTONE 17” Griddle is not in use, turn the BLACKSTONE 17” Griddle off.
- Never move BLACKSTONE 17” Griddle while in operation or still hot.
- Use long-handled barbecue utensils and oven mitts to avoid burns and splatters.
- Keep unit at least 36” away from walls, buildings, vehicles or other structures when in use.
- Clean BLACKSTONE 17” Griddle often, preferably after each cookout.
- If you notice grease or other hot material dripping from BLACKSTONE 17” Griddle onto the valve or regulator, turn off gas supply at once. Determine the cause, correct it, then clean and inspect valve, hose and regulator before continuing. Perform a leak test.
- Keep ventilation openings in cylinder enclosure free and clear of debris.
- The regulator may make a humming or whistling noise during operation. This will not affect safety or use of BLACKSTONE 17” Griddle.
- If you have a problem with your BLACKSTONE 17” Griddle refer to the Troubleshooting Section on page 10. If you can’t resolve the problem please call customer support at 435.252.3030 or email support@blackstoneproducts.com.
- If the regulator frosts, turn off BLACKSTONE 17” Griddle and LP bottle valve immediately. This indicates a problem with the LP bottle and it should not be used on any product. Return to supplier.



## WARNING

Turn controls and gas source or tank OFF when not in use.



## CAUTION

If ignition does NOT occur in 5 seconds, turn the burner controls OFF, wait 5 minutes and repeat the lighting procedure. If the burner does not ignite with the valve open, gas will continue to flow out of the burner and could accidentally ignite with risk of injury.

## Burner Flame Check

Light burner, rotate knob from high to low. You should see a smaller flame in low position than seen on high. Always check flame prior to each use. If only low flame is seen refer to “Sudden drop or low flame” in the Troubleshooting section on page 10.

## Turning the 17” Griddle Off

Turn knob to the OFF position.

## Valve Check

**Important:** To check valve, first push in knob and release, knob should spring back. If knob does not spring back, replace valve assembly before using the 17” Griddle. Turn knob to low position then turn back to OFF position. Valve should turn smoothly.

## General 17” Griddle Cleaning

- Do not mistake brown or black accumulation of grease and smoke for paint. Do not apply a caustic griddle/oven cleaner to painted surfaces.
- **Plastic parts:** Wash with warm soapy water and wipe dry. Do not use Citrisol, abrasive cleaners, degreasers or a concentrated oven cleaner on plastic parts. Damage to and failure of parts can result.
- **Painted surfaces:** Wash with mild detergent or nonabrasive cleaner and warm soapy water. Wipe dry with a soft nonabrasive cloth.
- Baked-on grease deposits may require the use of an abrasive plastic cleaning pad. Use only in direction of brushed finish to avoid damage. Do not use abrasive pad on areas with graphics.

## Storing Your BLACKSTONE 17" Griddle

- Store in dry location.
- When an LP bottle is connected to BLACKSTONE 17" Griddle, store outdoors in a well-ventilated space and out of reach of children.
- Store BLACKSTONE 17" Griddle indoors ONLY if LP bottle is turned off and disconnected, removed from BLACKSTONE 17" Griddle and stored outdoors.
- When removing BLACKSTONE 17" Griddle from storage, follow "Cleaning the Burner Assembly" instructions before starting griddle.

## Cleaning The Burner Assembly

Follow these instructions to clean and/or replace parts of burner assembly or if you have trouble igniting BLACKSTONE 17" Griddle.

1. Turn gas OFF at control knob.
2. Detach electrode from burner.  
NOTE: Removal/Detachment method will depend on the burner configuration.
3. Carefully lift burner up and away from valve openings. We suggest three ways to clean the burner tubes. Use the one easiest for you. (A) Bend a stiff wire (a light weight coat hanger works well) into a small hook. Run the hook through burner tube several times. (B) Use a narrow bottle brush with a flexible handle (do not use a brass wire brush), run the brush through burner tube several times. (C) Wear eye protection: Use an air hose to force air into the burner tube and out the burner ports. Check each port to make sure air comes out each hole.
4. Wire brush entire outer surface of burner to remove food residue and dirt.
5. Clean any blocked ports with a stiff wire such as an open paper clip.
6. Check burner for damage, due to normal wear and corrosion some holes may become enlarged. If any large cracks or holes are found replace burner.
7. Attach electrode to burner.
8. Carefully replace burners.
9. Attach burners to brackets on firebox.

## Food Safety

Food safety is a very important part of enjoying the outdoor cooking experience. To keep food safe from harmful bacteria, follow these four basic steps:

1. **Clean:** Wash hands, utensils, and surfaces with hot soapy water before and after handling raw meat and poultry.
2. **Separate:** Separate raw meats and poultry from ready-to eat foods to avoid cross contamination. Use a clean platter and utensils when removing cooked foods.
3. **Cook:** Cook meat and poultry thoroughly to kill bacteria. Use a thermometer to ensure proper internal food temperatures.
4. **Chill:** Refrigerate prepared foods and leftovers promptly. For more information Visit the Canadian partnership for Consumer Food Safety Education - [www.befoodsafe.ca](http://www.befoodsafe.ca)

## How To Tell If Meat Is Grilled Thoroughly

- Meat and poultry cooked on a griddle or oven often browns very fast on the outside. Use a meat thermometer to ensure food has reached a safe internal temperature. Cut into food to check for visual signs of being done.
- Whole poultry should reach 165°F/74°C. Juices should run clear and flesh should not be pink.
- Hamburgers made of any ground meat or poultry should reach 160°F/71°C, and be brown in the middle with no pink juices. Beef, veal and lamb steaks, roasts and chops can be cooked to 145°F/63°C. All cuts of pork should reach 160°F/71°C.
- **NEVER** partially grill meat or poultry and finish cooking later. Cook food completely to destroy harmful bacteria.
- When reheating takeout foods or fully cooked meats like hot dogs, grill to 165°F/64°C , or until steaming hot.

# ASSEMBLY AND LIGHTING INSTRUCTIONS

## WARNING

The manufacturer has made every effort to eliminate any sharp edges. However, you should handle all components with care to avoid accidental injury.

Please read all instructions thoroughly before proceeding. Find a large, clean area in which to assemble your BLACKSTONE 17" Griddle. Please refer to the assembly diagram as necessary.

**NOTICE:** Make sure all the plastic protection and packaging is removed before assembling



### VIDEO ASSEMBLY

Watch an actual BLACKSTONE 17" Griddle assembly. Use a QR Code App and scan the QR code.

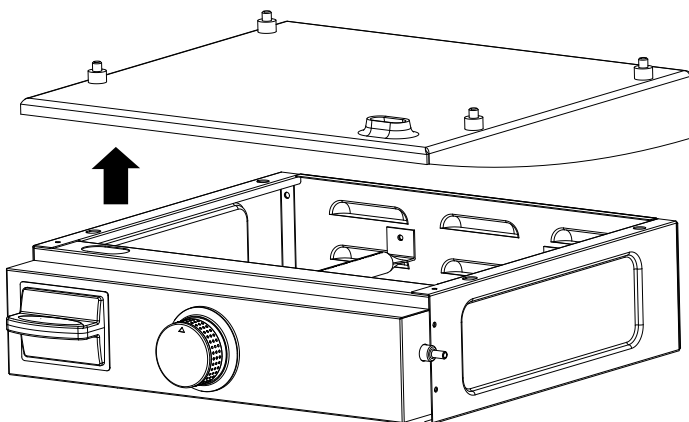
[www.blackstoneproducts.com/17griddle](http://www.blackstoneproducts.com/17griddle)

## PARTS LIST

- Griddle Top
- (4) Adjustable Height Feet
- Temperature Knob
- Oil Drip Tray
- Main Body
- Regulator

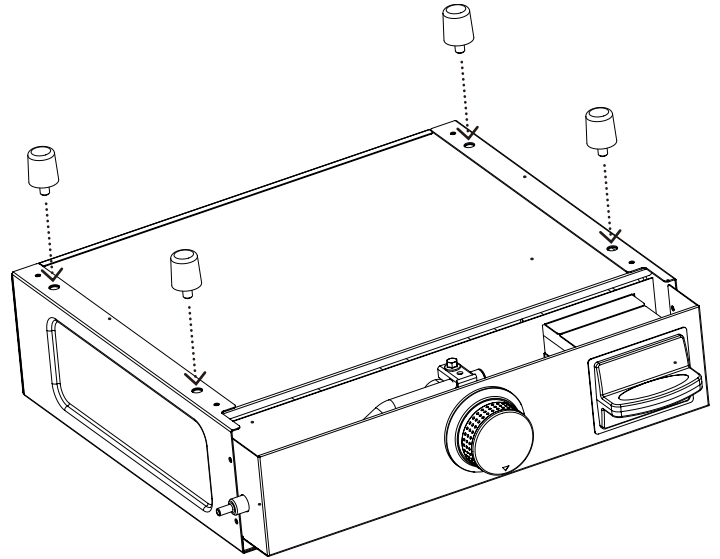
## STEP 1

Remove the four adjustable height feet and regulator from the packaging. Take the griddle top off of the griddle body.

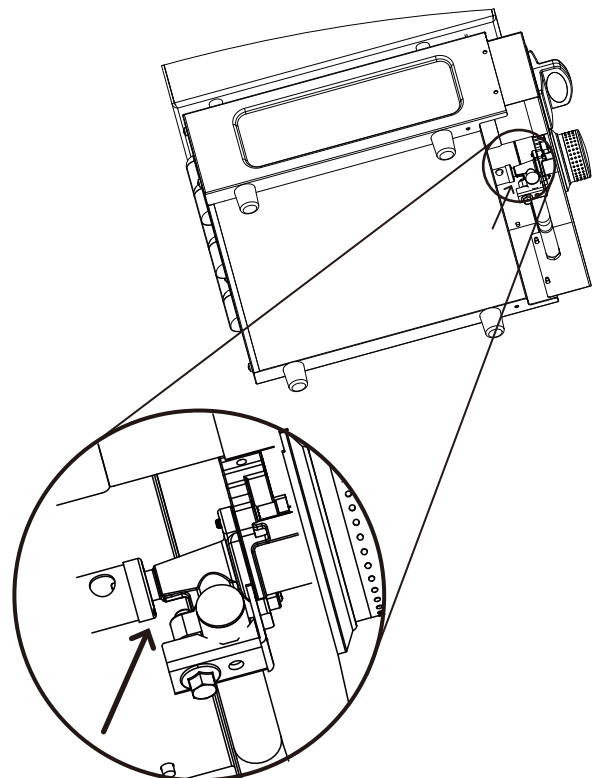


## STEP 2

Place the griddle upside down on a soft surface. Attach the four adjustable height legs to the bottom of the griddle.

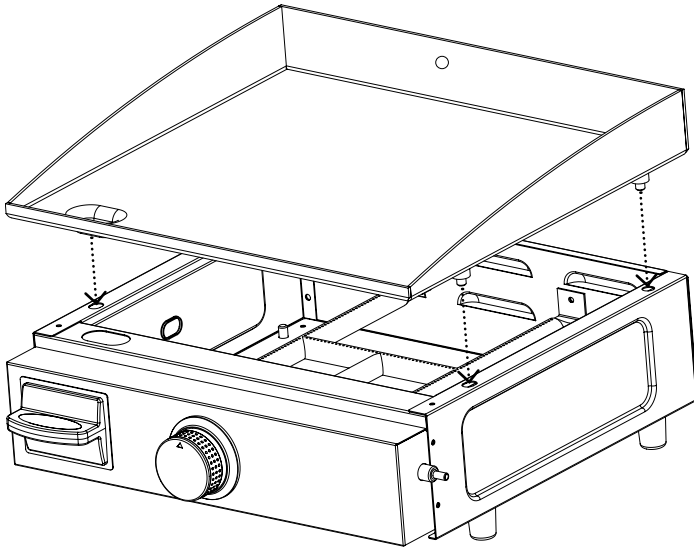


While your griddle is upside down, ensure that the fuel nozzle is housed within the burner tube opening.



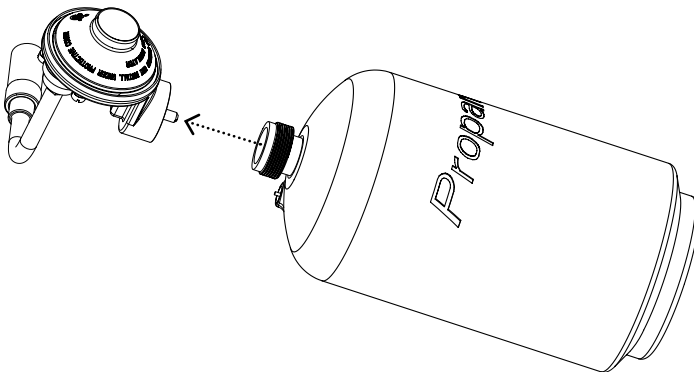
### STEP 3

Turn the griddle over so it stands on its legs and place the griddle top on the griddle body. Make sure the four positioning pegs on the griddle top are seated into the griddle body.

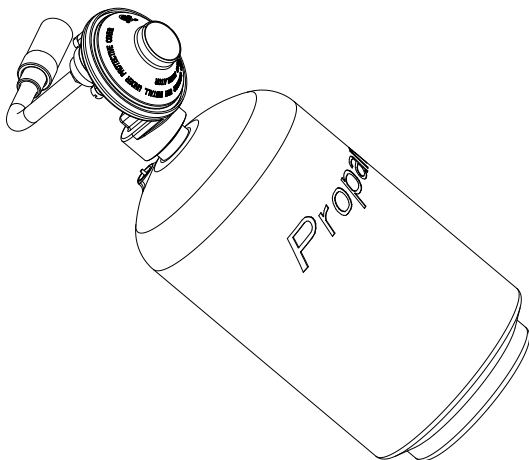


### STEP 4

Screw in the LP bottle into the gas regulator, turning the tank clockwise.



The LP bottle should look like the picture below when properly connected to the regulator.



Make sure to only use a 3.8 x 7.8inch, 16.4oz Propane bottle. The LP bottle to be used must be constructed and marked in accordance with the specifications for LP bottles, U.S. Department of Transportation (DOT) or the Standard for Cylinders, Spheres and Tubes for the Transportation of Dangerous Goods, CAN/CSA-B339.

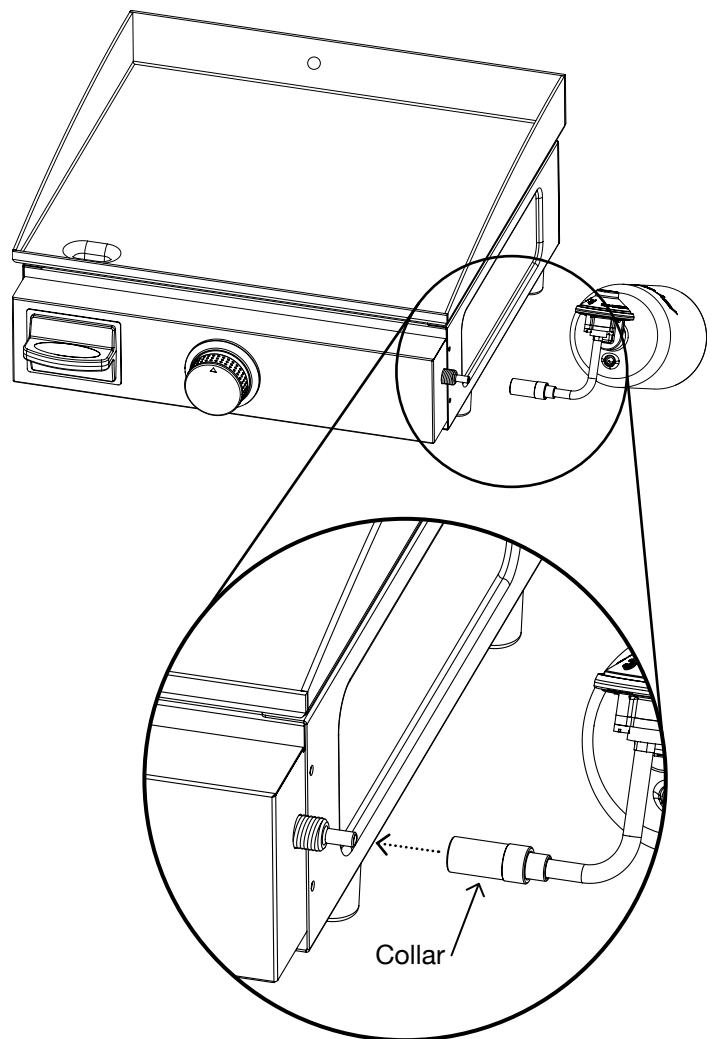
The LP bottle must be disconnected when the griddle is not in use. Only cylinders marked "propane" may be used. The LP bottle must be positioned for vapor withdrawal.

1. Do not store a spare LP gas cylinder under or near this appliance;
2. Never fill the cylinder beyond 80 percent full.

If the instructions in 1) and 2) are not followed exactly, a fire causing death or serious injury may occur.

### STEP 5

Insert the gas regulator and tank into the gas line of the griddle. Turn the collar of the gas regulator clockwise to secure it to the gas line.



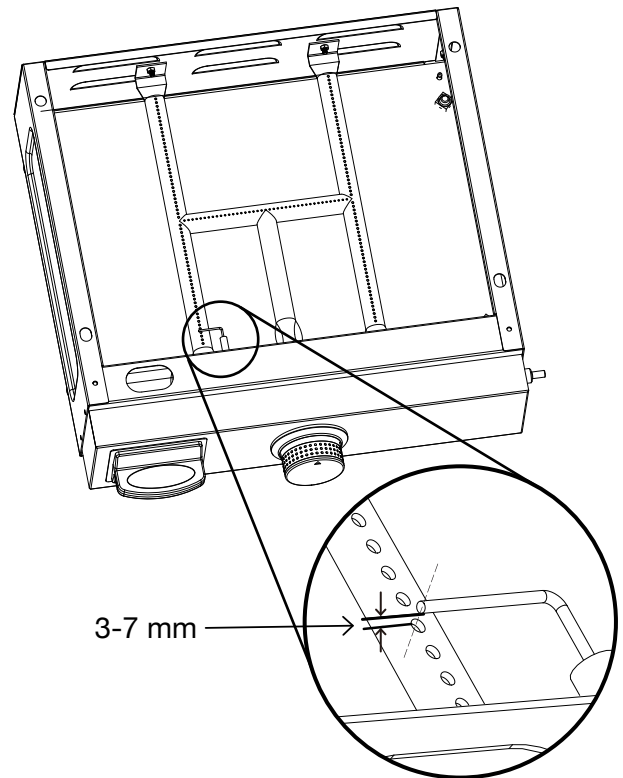


**CUSTOMER NOTICE:** To perform a leak test of your gas connections, mix a 50/50 solution of soap and water and brush around regulator and other gas connections. If growing bubbles appear, there is a leak. Re-tighten connections. If leaks cannot be stopped do not try to repair. Call for replacement parts at (435) 252-3030.

## Lighting the Griddle

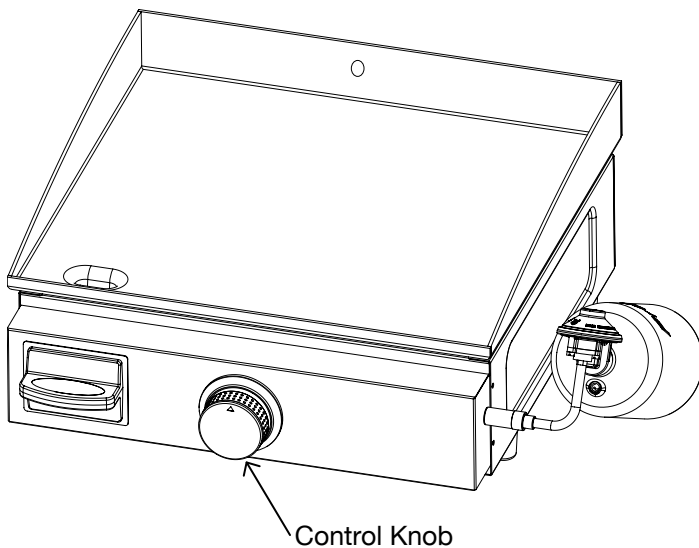
Do not lean over the griddle while lighting.  
Read instructions before lighting.

1. Read all instructions before lighting.
2. Push the control knob in to start gas flowing.
3. Turn the control knob counter-clockwise to activate the starter.
4. Adjust the temperature to desired level.
5. If ignition does not occur, turn gas off by turning the knob clockwise and repeat lighting instructions.



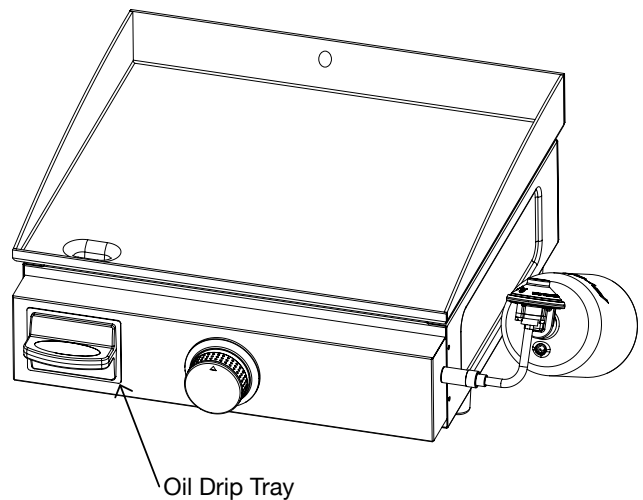
## Ignition Needle Placement

The ignition needle should be 3-7 millimeters from the burner tube to create the proper spark. The ignition needle should not touch the burner tube.



## Oil Drip Tray

Check the oil drip tray often and clean out after each use.



## Match Lighting Instructions

Do not lean over the Griddle while lighting. Make sure there are no gas leaks.

1. Ensure the control knob is in the "OFF" position.
2. Remove the griddle top.
3. Light an 11" long match, then place the match on the right or left side of the burner.
4. Push in and turn the control knob to the HIGH position. Be sure burner lights and stays lit.

## Disconnecting the LP Bottle

Make sure your griddle is off and cool. Disconnect the regulator from the gas line by unscrewing the collar, then unscrew the LP bottle from the regulator.

# CARE, MAINTENANCE, & TROUBLESHOOTING

Regularly clean your BLACKSTONE 17" Griddle between uses and especially after extended periods of storage. Ensure that the BLACKSTONE 17" Griddle and its components are sufficiently cool before cleaning. Never handle hot parts with unprotected hands.

In order to extend and maintain the life and condition of your BLACKSTONE 17" Griddle, we strongly recommend that the unit be covered when left outside for any length of time, especially during the winter months.

## Fittings and Storage

Annual checking and tightening of metal fittings is recommended. Store the BLACKSTONE 17" Griddle in a cool dry place. Cover the burners with aluminum foil in order to prevent insects or other debris from collecting in the burner holes. If the BLACKSTONE 17" Griddle is to be stored indoors, the gas bottle must be disconnected and left outside. The gas bottle should always be stored outside, out of reach of children, and in a dry, well-ventilated area away from any sources of heat or ignition.

## Troubleshooting

Problem	Possible Cause	Solution
<b>Burner will not light using the piezoelectric ignition system.</b>	<ul style="list-style-type: none"><li>• Faulty regulator.</li><li>• Obstructions in the burner.</li><li>• Obstructions in gas jets or gas hose.</li><li>• Electrode is damaged/faulty igniter</li><li>• Empty LP bottle.</li></ul>	<ul style="list-style-type: none"><li>• Have the regulator checked or replaced.</li><li>• Clean burner.</li><li>• Clean jets and gas hose.</li><li>• Change electrode and wire or change igniter.</li><li>• Use a new LP bottle</li></ul>
<b>Burner will not light with a match.</b>	<ul style="list-style-type: none"><li>• Faulty Regulator.</li><li>• Obstructions in burner.</li><li>• Obstructions in gas jets or gas hose.</li><li>• Empty LP bottle.</li></ul>	<ul style="list-style-type: none"><li>• Have the regulator checked or replaced.</li><li>• Clean Burner.</li><li>• Clean jets and gas hose.</li><li>• Use a new LP bottle</li></ul>
<b>Fire in burner tube has a low flame or flashback (a hissing or roaring noise may be heard)</b>	<ul style="list-style-type: none"><li>• Obstructions in burner.</li><li>• Obstructions in gas jets or gas hose.</li><li>• Windy conditions.</li></ul>	<ul style="list-style-type: none"><li>• Clean burner.</li><li>• Clean jets and gas hose.</li><li>• Use grill in a more sheltered position.</li></ul>

# WARRANTY

## North Atlantic Imports LLC, 90 Day & Limited Warranty

North Atlantic Imports LLC, the manufacturer of BLACKSTONE Products, will warranty for 90 days from purchase all parts, workmanship, and finishes (against rust). It will be the manufacturer's option as to whether to repair or replace any of the above items.

If this BLACKSTONE 17" Griddle fails due to a defect in material or workmanship within 90 days from the date of purchase, call (435) 252-3030 to arrange for replacement parts.

Please retain a copy of your proof of purchase to validate your warranty. You may be requested to send in a copy of your receipt to confirm any warranty requests.

All warranties are limited to the original purchaser only. This warranty does not cover any liability on the part of North Atlantic Imports LLC, its agents or employees, for any indirect or consequential damages for breach of warranty.

The purchaser must follow the manufacturer's usage instructions. Warranty coverage is void if this product is ever used for commercial or rental purposes. Under no circumstances is the manufacturer responsible for damages from the failure to operate this product properly.

All warranty coverage excludes paint loss, discoloration or surface rusting, which are either expendable parts that can wear out from normal use within the warranty period, or are conditions that can be the result of normal use, accident or improper maintenance.

After 90 days from the date of purchase, or if a valid proof of purchase cannot be provided, you can purchase replacement parts by calling (435) 252-3030. (Part purchase price with shipping and handling to be paid by customer.)

## For more detailed explanation of the warranty, read below:

North Atlantic Imports LLC warrants to the owner that the product covered by this agreement is free from defects in material and workmanship under normal use and service for which it was intended if, but only if, it has been operated in accordance with North Atlantic Imports LLC instructions exclusively for domestic use, and not for private or public club, institutional, or commercial purposes. North Atlantic Imports LLC obligation under this warranty is limited to replacing or repairing, free of charge, any part or parts that may prove, to the satisfaction in North Atlantic Imports LLC, to be defective under normal home use and service within the following stated periods of time from the date of purchase; a) for 90 days from purchase, all parts, finish, and workmanship. Should any failure to conform to this warranty become apparent during applicable warranty periods stated above, the original purchaser must notify North Atlantic Imports LLC of breach or warranty within the applicable warranty period. North Atlantic Imports LLC shall upon notice and compliance by the original purchaser with such instructions, correct such nonconformity by repair or replacement of the defective part or parts. Correction in the manner provided above shall constitute a fulfillment of all obligations of North Atlantic Imports LLC with respect to the quality of the product.

North Atlantic Imports LLC does not warrant this equipment to meet the requirement of any safety code of any state, municipality or other jurisdiction, and the original purchaser assumes all risk and liability whatsoever resulting from the use thereof, whether used in accordance with North Atlantic Imports LLC instructions or otherwise. This warranty does not cover and is intended to exclude any liability on the part of North Atlantic Imports LLC its agents, servants or employees whether under this warranty or implied by law for any indirect or consequential damages for breach on any warranty. The purchaser must establish all applicable warranty periods pursuant to this warranty by verifying the original purchase date by producing the dated sales receipt. This warranty shall not apply to this product or any other part thereof which has been subject to accident, negligence, alteration, abuse, or misuse or which has been repaired or altered without North Atlantic Imports LLC written consent, outside of North Atlantic Imports LLC factory. North Atlantic Imports LLC makes no warranty whatsoever in respect to accessories or parts not supplied with it. This warranty shall apply only within the boundaries of the United States of America. This warranty gives the original purchaser specific rights, and the original purchaser may also have other rights, which vary from state to state.

## CUSTOMER SERVICE

### Our Customer Service staff is here to help you!

For questions regarding your BLACKSTONE product, or if you need replacement parts, contact us at:

USA Support: **435.252.3030**  
**support@blackstoneproducts.com**

We're pleased to help you with any questions concerning replacement parts or your warranty. Our customer service staff can be reached Monday through Friday from 9:00 am to 5:00 pm Mountain Standard Time. If all operators are busy or you call after hours, you may leave a message and your call will be returned or send an email.

## GRIDDLE SEASONING



### Video Instruction

Use a QR code reader on your smart phone and watch an instructional video on seasoning and maintaining your Blackstone Griddle.

[www.BlackstoneProducts.com/griddlecare](http://www.BlackstoneProducts.com/griddlecare)

### What is Seasoning

Seasoning is a process by which oil is baked into metal to create a stick resistant surface and protect against oxidization.

Blackstone Griddles come with a thin layer of soy oil on them to protect against rust during shipping. You can wash this off with warm soapy water prior to your initial seasoning.

#### What oil should I use?

Some oils are better than others for seasoning. We recommend Flax seed oil for your initial seasoning since it creates a very durable bond, however, any of the following oils can be used.

- Flax seed oil
- Extra Virgin Olive Oil
- Vegetable Oil
- Soy Oil

### Initial Griddle Seasoning:

The basic idea behind your initial seasoning is to coat your griddle with oil and heat the oil above its smoke point to polymerize the oil and create a bond with the griddle top. You will end up with a black, stick resistant surface that is easy to clean.

1. Apply small amount of oil to the surface of the griddle top and spread it around with a cloth or paper towel (use tongs or metal spatula to hold the cloth or paper towel).
2. Turn your griddle on medium-high heat
3. Heat the oil until it reaches its "smoke point" and let it continue to heat on the griddle top until it stops smoking. Your griddle top will start to discolor. This is good.
4. Let your griddle cool a little. Repeat steps 1 through 3 a few times until you have a black surface on your griddle.

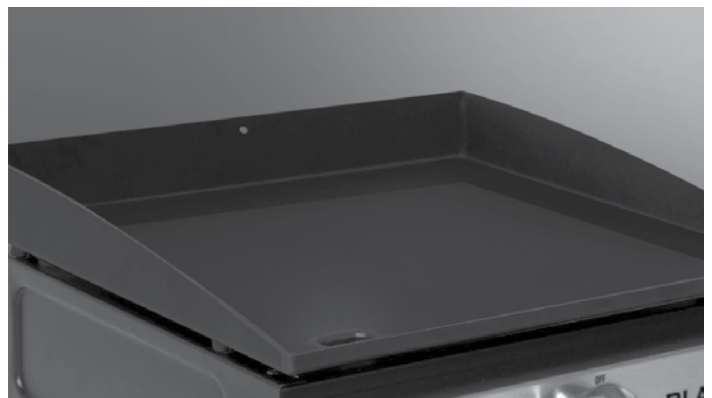
### Cleaning and Maintaining your Griddle

To clean the griddle after each use, scrape gently with a metal spatula or scraper and wipe down the griddle surface with a cloth or paper towel. For tough food residue, pour water onto the hot griddle surface and let it boil the residue off.

After you are done using your griddle you should apply a very thin coat of oil to maintain your seasoning bond and protect it from rust. If rust or scaling (chipped seasoning) occur, rub it off with steel wool or low grain sandpaper and re-season the surface. Store your griddle in a cool, dry place.

### What a well seasoned Griddle should look like

Your well seasoned griddle should be shiny black and have a natural non-stick cooking surface. The more you cook with and season your griddle top, the more black, stick resistant and shiny it will become.



# BLACKSTONE®

MODÈL #1650

Manuel de l'utilisateur

# 17" Tabletop Griddle



**Assemblage vidéo**

[www.blackstoneproducts.com/17griddle](http://www.blackstoneproducts.com/17griddle)

**⚠ AVERTISSEMENT ⚠**

**USAGE EN PLEIN AIR UNIQUEMENT**

Lire ce manuel avant montage et utilisation.  
Manuel à conserver.

# TABLE DES MATIÈRES

Enregistrement du produit.....	14
Pour votre sécurité.....	15
Utilisation et précautions.....	17
Instructions d'assemblage et d'allumage .....	19
Entretien, maintenance et résolution de problèmes.....	22
Garantie du barbecue.....	23
Service au consommateur.....	24
Assaisonnement Griddle.....	24

## ENREGISTREMENT DU PRODUIT

Afin d'enregistrer votre produit BLACKSTONE, veuillez visiter: [www.blackstoneproducts.com/register](http://www.blackstoneproducts.com/register)

Numéro du model: \_\_\_\_\_

Numéro de sérier: \_\_\_\_\_

Date d'achat: \_\_\_\_\_

### À l'installateur:

Laisser ces instructions à l'acheteur.

### Au consommateur:

Conserver ces instructions pour futur références.

## SYMBOLES DE SÉCURITÉ

Ci-dessous sont montrés les symboles utilisés dans ce manuel et leur signification. Bien lire et suivre les instructions de chaque symbole.



### DANGER

**DANGER:** Indique une situation durant laquelle tout manquement peut entraîner des blessures graves ou la mort.



### AVERTISSEMENT

**WARNING:** Indique une situation pouvant entraîner des blessures grave si les instructions ne sont pas suivies. Bien lire et suivre les instructions.



### ATTENTION

**CAUTION:** Indique une situation pouvant entraîner de faibles blessures.



### CALIFORNIA PROPOSITION 65

**WARNING:** Selon l'État de la Californie, ce produit contient des agents chimiques pouvant causer le cancer, des anomalies congénitales, et autres problèmes liés à la reproduction. (L'État de Californie demande à ce que les consommateurs de Californie reçoivent ce message.)

Pour plus d'informations : [www.watts.com/prop65](http://www.watts.com/prop65)

# POUR VOTRE SÉCURITÉ

Ce manuel contient des informations importantes pour le montage et l'utilisation de cet appareil en toute sécurité. Lire les instructions et consignes de sécurité avant l'assemblage et l'utilisation de l'appareil. Respecter les instructions et consignes de sécurité lors de l'assemblage et de l'utilisation de l'appareil.

Tout manquement aux consignes de sécurité et instructions peut causer un feu ou une explosion et entraîner des destructions, blessures ou la mort.

## DANGER

### Si vous odeur de gaz:

1. Coupez l'admission de gaz de l'appareil.
2. Ouvrir le capot.
3. Éteindre toute flamme nue.
4. Si l'odeur persiste, appelez immédiatement votre fournisseur de gaz ou votre service des incendies.

Le non respect des instructions suivantes peut entraîner des dommages matériels, des blessures graves ou la mort résultant d'un incendie ou d'une explosion.

## AVERTISSEMENT

Ne pas stocker d'essence, autres liquides inflammables ou vapeurs à proximité de cet appareil ou de tout autre appareil.

### AVERTISSEMENT:

L'utilisateur est responsable de l'assemblage, l'installation et l'entretien du BLACKSTONE 17" Griddle suivant les instructions de ce manuel. Le non respect des instructions peut entraîner des blessures corporelles et/ou dommages matériels.

### PRECAUTIONS:

- Ne pas utiliser le BLACKSTONE 17" Griddle à moins de 36 pouces de murs, plafonds ou autres constructions pouvant prendre feu. Ne jamais utiliser à l'intérieur.
- Ne pas utiliser sous des surfaces combustibles.
- En cas de défaillance du régulateur, il faut le faire remplacer par le même modèle. Contactez le service au consommateur pour obtenir une pièce de remplacement autorisé.
- Faire une vérification visuelle de l'alimentation depuis la connexion à la bouteille jusqu'aux brûleurs afin d'identifier de potentielles fuites, fissures ou intrusions. Commencer par la connexion sur la bouteille puis vers le tuyau métallique derrière le couvercle du thermomètre. Inspecter visuellement les mécanismes des boutons pour des défauts similaires. Suivre les tuyaux en métal depuis le cadran du thermomètre vers les brûleurs. Rechercher toute anomalie ou fissure sur les sorties de gaz, brûleurs et au centre du grill. En cas de questions ou remarques, contacter le service au client.

## AVERTISSEMENT

- Cet appareil est prévu pour une utilisation en plein air uniquement et ne doit jamais être utilisé dans un bâtiment, garage ou autre espace clos.
- Cet appareil n'est pas conçu pour être fixé ou installé sur des véhicules.
- La consommation d'alcool ou de certains médicaments peut entraver à l'assemblage et l'utilisation correcte de l'appareil.
- En cas de feu de graisse ou d'huile, ne pas essayer de l'éteindre avec de l'eau. Appeler immédiatement les pompiers. Un extincteur de type BC ou ABC peut, dans certains cas, contenir le feu.
- Ne pas laisser l'appareil sans supervision. Tenir enfants et animaux à distance.
- Cet appareil n'est pas prévu pour et ne doit pas être utilisé comme chauffage.
- Porter des gants isolants lors de l'utilisation. L'appareil sera chaud pendant et après utilisation.

Besoin d'aide ou d'informations, appeler le centre d'information BLACKSTONE.

Des pièces manquantes ? Des questions au sujet de l'assemblage ? Problèmes d'utilisation ? Avant de rapporter le BLACKSTONE 17" Griddle appelez le: (435) 252-3030 ou envoyez-nous un message: support@blackstoneproducts.com



## ATTENTION

Certaines pièces peuvent être coupantes ou pointues, porter des gants de protection si nécessaire.



## ATTENTION

Conçu pour une utilisation privée, en plein air et non commerciale.

## Précautions d'installation

- Utiliser le BLACKSTONE 17" Griddle comme il a été acheté.
- L'utilisation du BLACKSTONE 17" Griddle doit respecter les codes locaux en vigueur. En l'absence de code local, respecter le National Fuel Gas Code, ANSI Z223.1/ NFPA 54, Natural Gas et Propane Installation Code, CSA B149.1, ou Propane Storage and Handling Code, B149.2, ou le Standard for Recreational Vehicles, ANSI A 119.2/NFPA 1192, et CSA Z240 RV Series, Recreational Vehicle Code, selon situation.
- Le BLACKSTONE 17" Griddle, n'est pas conçu pour une utilisation à bord d'un bateau ou de tout autre véhicule.
- Le BLACKSTONE 17" Griddle est certifié pour une utilisation aux Etats Unis seulement. Ne pas tenter de le modifier pour une utilisation dans un autre pays. Toute modification pourrait entraîner des risques de sécurité.
- Il est impératif d'utiliser le régulateur fourni avec l'appareil. Tout remplacement doit être fait en respectant les spécifications du constructeur.
- Placer le cache sur la valve de la bouteille de gaz lorsque celle-ci n'est pas utilisée. N'utiliser que le cache fournis. L'utilisation d'autres systèmes pourrait provoquer des fuites de propane.

## Sécurité d'utilisation

- Garder la zone d'utilisation propre et absente de matériaux combustibles, essence ou autres liquides et vapeurs.
- Ne pas obstruer le flux d'alimentation en gaz ou la ventilation d'air.
- S'assurer que la ventilation du mécanisme de la bouteille de gaz est propre.
- Surveiller les flammes des brûleurs.
- Nettoyer l'appareil y compris les surfaces spéciales à l'aide de produits recommandés si nécessaire.
- S'assurer que les brûleurs et tubes de ventilation ne sont pas obstrués par des insectes. Un feu peut se déclarer sous l'appareil si un tuyau est bouché.



# UTILISATION ET PRÉCAUTIONS

## Conseils de sécurité

- Lorsque le BLACKSTONE 17" Griddle n'est pas en utilisation, fermer le BLACKSTONE 17" Griddle à OFF.
- Ne jamais déplacer le BLACKSTONE 17" Griddle pendant l'utilisation ou si il est encore chaud.
- Utiliser des ustensiles de cuisson et gants de protections adaptés afin d'éviter tout risque de brûlure et éclaboussures.
- Maintenir l'appareil à une distance d'au moins 36 pouces des murs, véhicules ou autres structures pendant l'utilisation.
- Nettoyer le BLACKSTONE 17" Griddle fréquemment, de préférence après chaque utilisation.
- En cas de chute de graisse ou autre matière chaude sur la valve, le tuyau ou le régulateur, fermer l'arrivée de gaz. Identifier la cause et y remédier avant de poursuivre. Nettoyer les parties affectées, s'assurer qu'elles n'ont pas été endommagées. Effectuer un test de fuite avant de reprendre la cuisson
- Garder les ouïes de ventilations propres et exemptes de débris.
- Tourner tous les boutons de contrôle sur OFF et fermer la valve de la bouteille lorsque le barbecue n'est pas utilisé.
- Il se peut que le régulateur émette un léger sifflement pendant l'utilisation. Cela n'affecte en rien la sécurité ou l'utilisation du BLACKSTONE 17" Griddle .
- Si vous avez un problème avec votre BLACKSTONE 17" Griddle, référez-vous à la section « Résolution de problèmes » à la page 22. Si le problème persiste, veuillez contacter le service au client au 435.252.3030 ou par e-mail à support@blackstoneproducts.com.
- En cas de givre sur le régulateur, fermer la valve de la bouteille. C'est le signe d'un problème avec la bouteille, ne pas l'utiliser et la rapporter.



## AVERTISSEMENT

Fermer les boutons et l'arrivée de gaz lorsque l'appareil est hors service.



## ATTENTION

Si l'allumage ne se fait pas dans les 5 secondes, tourner les boutons de contrôle sur OFF, attendre 5 minutes et recommencer la procédure d'allumage. Si le brûleur n'est pas allumé et que la valve est ouverte, le gaz continue de s'échapper et peut s'allumer spontanément, provoquant des blessures.

## Vérification des brûleurs

Après avoir allumé le brûleur, tourner le bouton vers « low ». La flamme devrait réduire et être plus faible que sur « high ». Vérifier la flamme sur le brûleur latéral. Toujours vérifier les flammes avant utilisation. En cas de flamme faible sur toutes les positions, voir le point « diminution soudaine ou flamme faible » dans la section « Résolution de problèmes » à la page 22.

## Éteindre le BLACKSTONE 17" Griddle

Tourner les boutons de contrôle en position OFF.

## Vérification des valves

**Pousser les boutons puis les relâcher. Ils devraient rebondir en position initiale rapidement. Si les boutons ne rebondissent pas, changer les valves avant d'utiliser le BLACKSTONE 17" Griddle à nouveau. Tourner les boutons en position « low » puis à nouveau en position OFF. Ils devraient tourner facilement.**

## Nettoyage du 17" Griddle

- Ne pas confondre accumulation de graisse (marron ou noire) et fumée de peinture. Ne pas utiliser de produits agressifs pour fours sur les surfaces peintes.
- **Pièces en plastique:** nettoyer à l'eau chaude savonneuse, sécher à l'aide d'un chiffon propre et sec. Ne pas utiliser de Citrisol, nettoyants abrasifs, dégraissants ou nettoyants pour fours sur les surfaces en plastique. Cela peut les endommager et les détruire.
- **Surfaces peintes:** nettoyer à l'aide d'un détergeant non abrasif ou à l'eau chaude savonneuse. Sécher à l'aide d'un chiffon doux, propre et sec.
- Il peut être nécessaire d'utiliser une spatule en plastique pour retirer les dépôts de graisse cuits. Utiliser en mouvement parallèle à la finition brossée afin d'éviter de la détériorer. Ne pas utiliser de matériau abrasif sur les surfaces avec des motifs.

## L'entreposage de votre BLACKSTONE 17" Griddle

- Stocker dans un endroit sec.
- Si la bouteille de gaz reste connectée, stocker en plein air dans un endroit bien ventilé et hors de portée des enfants.
- Ne stocker le BLACKSTONE 17" Griddle à l'intérieur qu'après avoir fermé la bouteille de gaz puis retiré celle-ci. La bouteille doit être conservée à l'extérieur.
- Après une période de stockage, suivre les instructions de « nettoyage des brûleurs » avant de commencer à utiliser la plaque chauffante.

## Nettoyage des brûleurs

Suivre ces instructions pour nettoyer/remplacer les brûleurs ou en cas de difficultés à l'allumage du BLACKSTONE 17" Griddle.

1. Fermer l'arrivée de gaz depuis les boutons de contrôle et la bouteille.
2. Détacher les électrodes du brûleur. Cette procédure dépend de la configuration du brûleur.
3. Soulever délicatement le brûleur vers le haut et le retirer de la sortie de la valve. Voici trois méthodes de nettoyage, utilisez la plus simple et la plus adaptée pour vous. (A) Plier un fil de fer (un cintre par exemple) en forme de crochet. Glisser le crochet à travers le tube plusieurs fois. (B) Utiliser un goupillon fin avec manche flexible. (Ne pas utiliser de brosse en cuivre). Glisser la brosse dans le tube plusieurs fois. (C) Porter des lunettes de protection : utiliser de l'air comprimé pour nettoyer les sorties du brûleur. S'assurer que l'air circule dans toutes les sorties.
4. Brosser toute la surface du brûleur afin de retirer saleté et résidus de nourriture.
5. Dégager les sorties bloquées à l'aide d'un fil de fer (un trombone par exemple).
6. Vérifier l'état général du brûleur. Au fil du temps, des trous de corrosion peuvent apparaître. Si ils deviennent trop importants, il est temps de changer le brûleur.
7. Connecter l'électrode au brûleur.
8. Replacer les brûleurs avec caution.
9. Attacher les brûleurs aux crochets sur le bac.

## Sécurité alimentaire

La sécurité alimentaire est un aspect important de la cuisine à l'extérieur. Ces quelques conseils permettront de conserver une nourriture saine et sans bactéries néfastes.

10. **Nettoyer** : Se laver les mains ainsi que les ustensiles de cuisine à l'eau chaude savonneuse avant et après avoir manipulé de la viande et volaille crue.
11. **Séparer** : Garder la viande crue à l'écart du reste de la nourriture afin d'éviter toute contamination. Utiliser des ustensiles et assiettes propres après avoir cuit la nourriture.
12. **Cuire** : Bien cuire les viandes et volailles afin de tuer les bactéries nocives. Contrôler la température de la viande à l'aide d'un thermomètre.
13. **Refroidir** : Réfrigérer la nourriture et les restes rapidement. Pour plus d'information visiter le site Canadien partenaire pour la sécurité alimentaire : [www.befoodsafe.ca](http://www.befoodsafe.ca).

## La viande est-elle cuite correctement ?

- La surface des viandes et volailles grille et change rapidement de couleur. Un thermomètre permet de s'assurer que la viande a atteint une température interne de cuisson adéquate. Découper la viande permet d'établir une vérification visuelle.
- Un poulet entier doit atteindre une température interne de 165°F/74°C. Le jus doit couler rapidement et la chair ne pas être rose.
- Les hamburgers à base de volaille ou de viande hachée doivent atteindre 160°F/71°C, être foncé à cœur sans jus rose. Les steaks de veau, agneau et bœuf doivent atteindre une température de 160°F/71°C. Toutes les parties du porc doivent également atteindre 160°F/71°C.
- NE JAMAIS cuire la viande partiellement pour reprendre la cuisson plus tard. Cuire la viande entièrement pour détruire les bactéries nocives.
- Réchauffer de la nourriture à emporter ou de la viande pré-cuite comme des hot dogs à une température de 165°F/64°C ou jusqu'à ce que la nourriture commence à fumer.

# INSTRUCTIONS D'ASSEMBLAGE ET D'ALLUMAGE



## AVERTISSEMENT

Cet appareil a été conçu avec le souci d'éliminer tout bord pointu ou tranchant. Cependant il convient de manipuler les pièces avec précaution afin de prévenir les risques de blessures.

Veuillez bien lire les instructions en entier avant de procéder à l'assemblage. Travailler sur une grande surface propre. Se référer à la liste des pièces et les schémas autant de fois que nécessaire.

**A NOTER :** Retirer toutes les protections plastique avant de commencer.



## ASSEMBLAGE VIDÉO

Regarder un assemblage réel du BLACKSTONE 17" Griddle. Utiliser une application pour balayer le code QR.

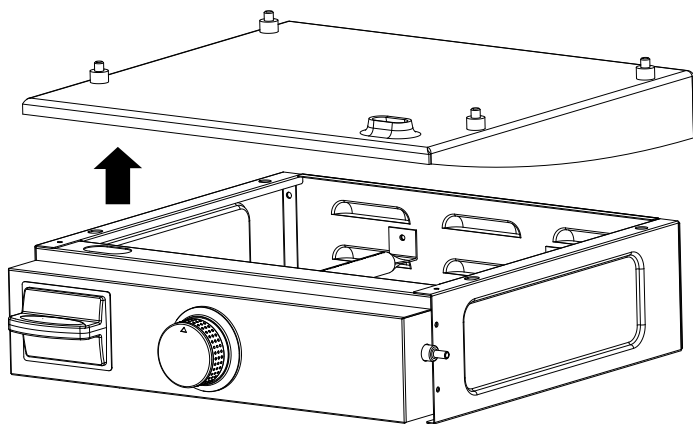
[www.blackstoneproducts.com/17griddle](http://www.blackstoneproducts.com/17griddle)

## LISTE DES PIÈCES

- Supérieure plaque chauffante
- (4) Pieds réglables en hauteur
- Bouton de la température
- Bac collecteur d'huile
- Partie principale
- Regulator

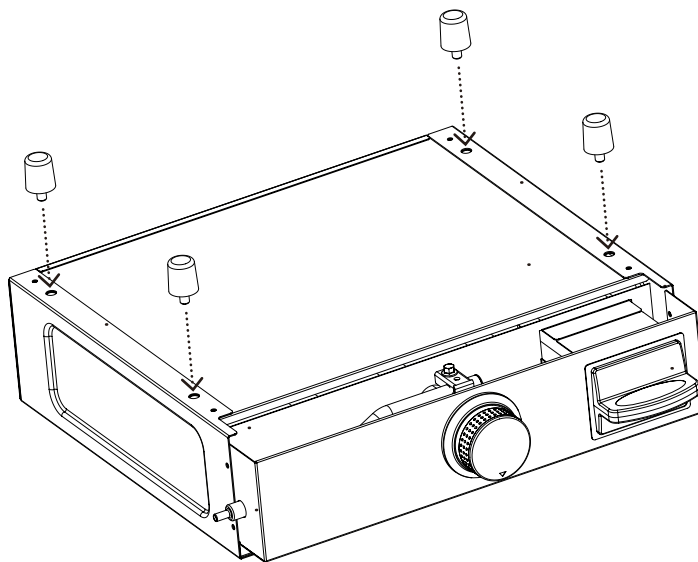
## ÉTAPE 1

Retirez les quatre pieds réglables et régulateur de l'emballage. Enlever la partie supérieure de la plaque chauffante hors du corps de la plaque chauffante.

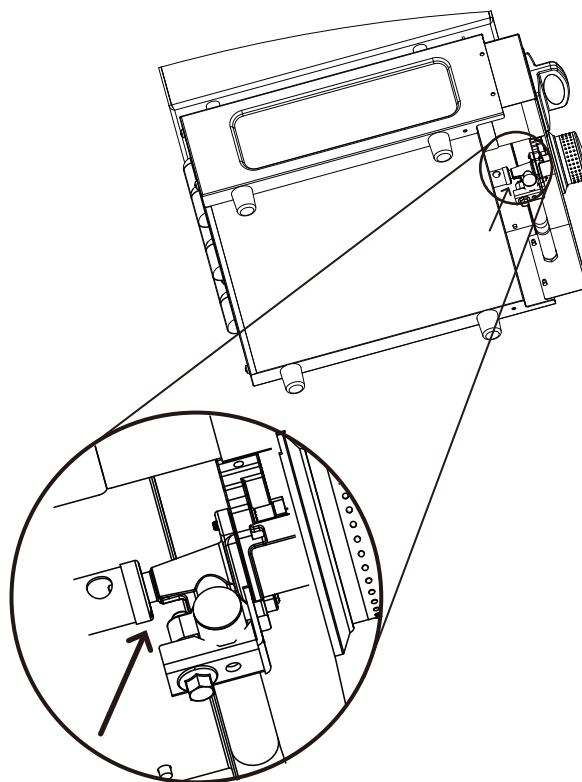


## ÉTAPE 2

Placez la plaque à l'envers sur une surface molle. Fixez les quatre pieds réglables en hauteur vers le bas de la plaque chauffante.

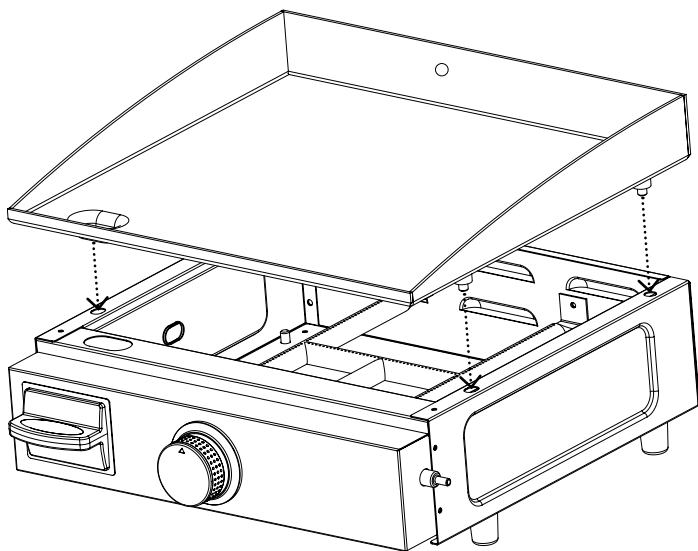


Bien que votre plaque chauffante est à l'envers, en sorte que l'injecteur de carburant est logé dans l'ouverture du tube de brûleur.



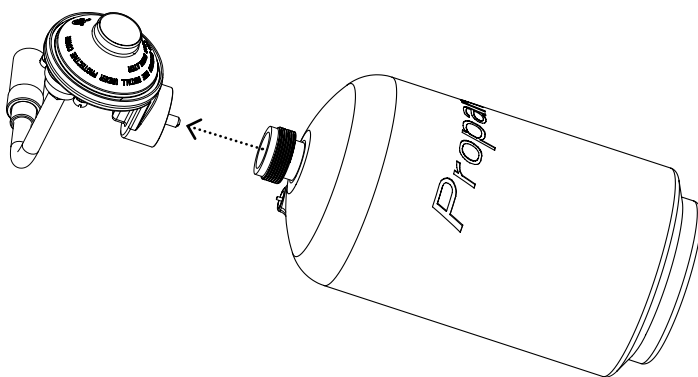
### ÉTAPE 3

Tourner la plaque afin qu'elle se dresse sur ses pattes et placer le haut de la plaque sur le corps de la plaque chauffante. Assurez-vous que les quatre chevilles de positionnement sur le haut de la plaque chauffante sont bien fixées dans le corps de la plaque.

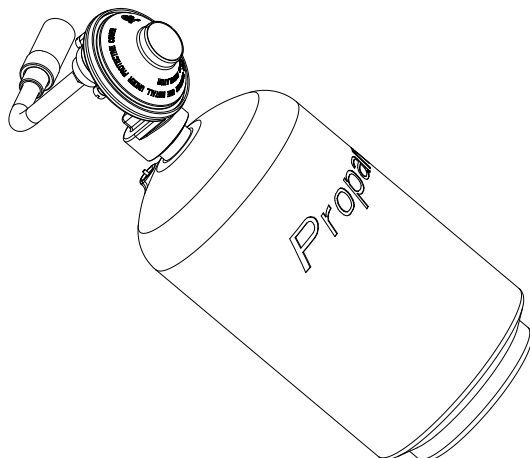


### ÉTAPE 4

Visser dans la bouteille de gaz dans le régulateur de gaz, tournant le réservoir dans le sens horaire.



La bouteille de gaz devrait ressembler à l'image ci-dessous lorsqu'il est correctement connecté au régulateur.



Assurez-vous d'utiliser uniquement un 3,8 x 7.8inch, 16,4 oz Bouteille de propane. La bouteille de LP à être utilisé doit être fabriquée et marquée conformément aux spécifications des bouteilles de GPL, US Department of Transportation (DOT) ou la norme pour les bouteilles et tubes pour le transport des marchandises dangereuses, CAN / CSA-B339.

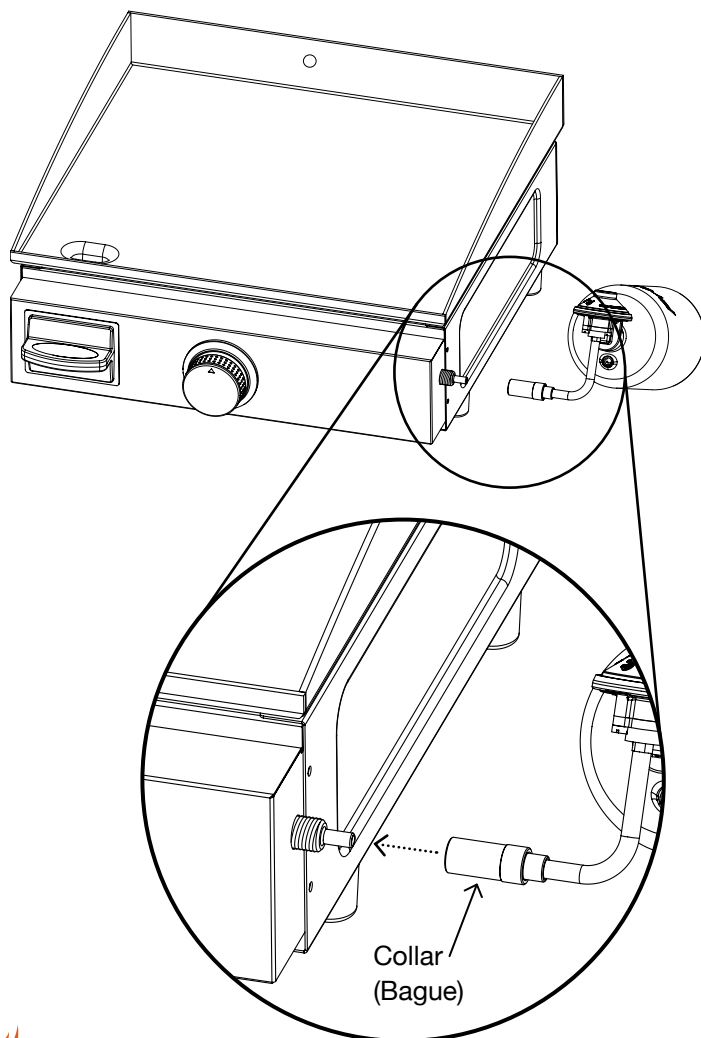
Le LP bouteille doit être déconnecté lorsque la plaque est pas utilisé. Seules les bouteilles marquées «propane» peut être utilisé. Le LP bouteille doit être positionné pour le retrait de vapeur.

1. Ne pas ranger une bouteille de GPL de recharge sous ou à proximité de cet appareil;
2. Ne remplissez jamais le réservoir à plus de 80 pour cent complet.

Si les instructions de 1) et 2) ne sont pas suivies à la lettre, un incendie causant la mort ou des blessures graves peuvent se produire.

### ÉTAPE 5

Insérez le régulateur de gaz et le réservoir dans la conduite de gaz de la plaque chauffante. Tourner la bague du régulateur de gaz vers la droite afin de la fixer à la conduite de gaz.



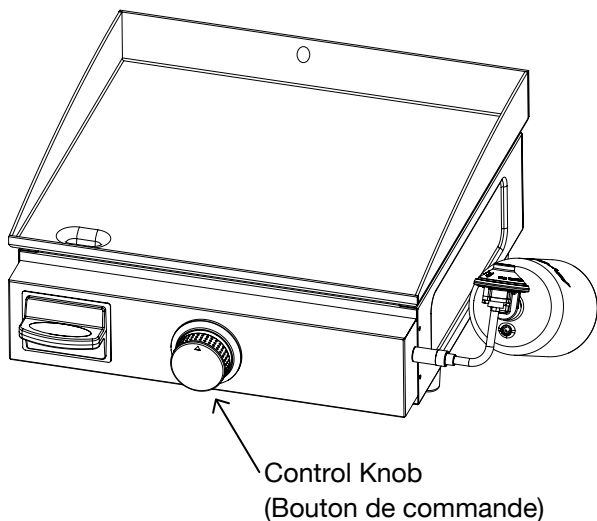
## AVIS À LA CLIENTÈLE:

Pour effectuer un test de fuite de vos connexions de gaz, mélanger une solution 50/50 d'eau et du savon et une brosse autour de régulateur et d'autres connexions de gaz. Si des bulles apparaissent de plus en plus, il ya une fuite. Resserrer les connexions. Si les fuites ne peuvent être arrêtés ne pas essayer de réparer. Appel à des pièces de rechange au (435) 252-3030.

## ALLUMAGE DE LA PLAQUE

Ne pas se pencher au dessus du BLACKSTONE 17" Griddle pendant l'allumage. Bien lire les instructions avant d'allumer.

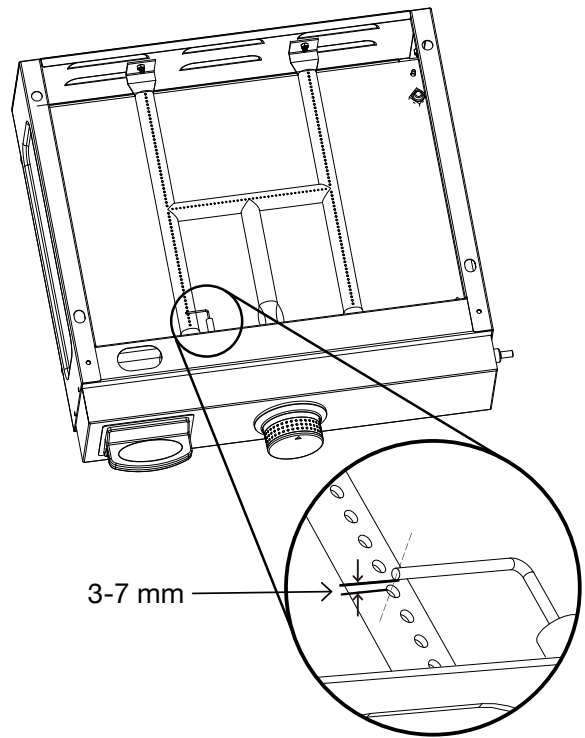
1. Lisez toutes les instructions avant d'allumer.
2. Appuyez sur le bouton de commande pour démarrer la circulation de gaz.
3. Tournez le bouton de commande pour activer le démarreur.
4. Réglez la température au niveau désiré.
5. Si l'allumage ne se produit pas, couper le gaz en tournant le bouton dans le sens antihoraire et répéter les instructions d'allumage.



## Instructions d'allumage match

Ne pas se pencher sur le gril lors de l'allumage. Assurez-vous qu'il n'y a pas de fuites de gaz.

1. Vérifiez que le bouton de commande est en position «OFF».
2. Enlever la partie supérieure de la plaque chauffante.
3. Allumez un long match (11 pouces), puis placez le jeu sur le côté droit ou gauche du brûleur.
4. Pousser et tourner le bouton de commande à la position HAUTE. Soyez sûr que le brûleur allumé et reste allumé

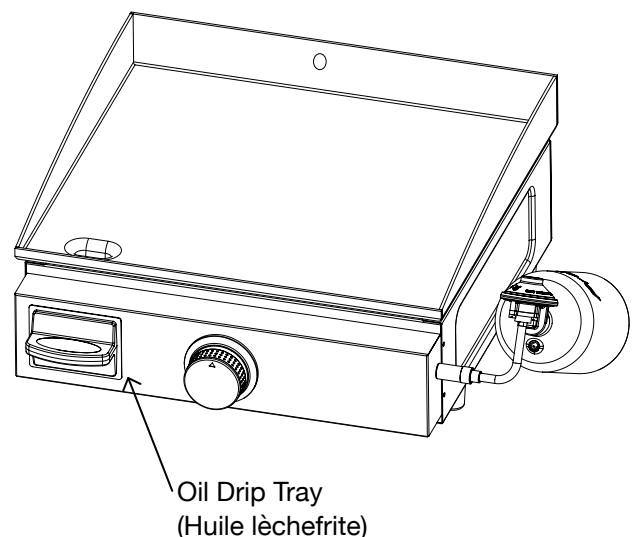


## IGNITION AIGUILLE PLACEMENT

L'aiguille d'allumage devrait être 3-7 millimètres du tube de brûleur pour créer l'étincelle appropriée. L'aiguille d'allumage ne doit pas toucher le tube du brûleur.

## HUILE LÈCHEFRITE

Vérifiez le bac à graisse souvent et nettoyer après chaque utilisation.



## Déconnexion de la bouteille de gaz

Assurez-vous que votre plancha est éteint et froid. Débranchez le régulateur de la conduite de gaz en dévissant le collier, puis dévisser la bouteille du régulateur de gaz.

# ENTRETIEN, MAINTENANCE, ET RÉOLUTION DE PROBLÈMES

Nettoyer le BLACKSTONE 17" Griddle régulièrement, entre chaque utilisation ou après une période d'inutilisation prolongée. Attendre que les différentes parties du BLACKSTONE 17" Griddle aient refroidi avant de les nettoyer. Ne jamais toucher les parties chaudes sans protection adaptée.

En cas de stockage à l'extérieur, il est fortement recommandé de couvrir l'appareil, spécialement pendant les mois d'hiver. La durée de vie de l'appareil en dépend.

## Fittings and Storage

Il est recommandé de vérifier le serrage des différentes parties de l'appareil une fois par an. Stocker le BLACKSTONE 17" Griddle dans un endroit frais et sec. Couvrir les brûleurs de papier d'aluminium afin d'empêcher accumulations d'insectes et de résidus. En cas de stockage à l'intérieur, retirer la bouteille de gaz et conserver celle-ci à l'extérieur. La bouteille de gaz doit toujours être conservée à l'extérieur, hors de portée des enfants, dans un endroit frais, sec, à l'abri de sources de chaleur et d'étincelles.

## RESOLUTION DE PROBLÈMES

Problème	Causes possibles	Solution
<b>Le brûleur ne s'allume pas à l'aide de la méthode piézoélectrique.</b>	<ul style="list-style-type: none"><li>• Le régulateur est défectueux</li><li>• Le brûleur est bouché</li><li>• L'arrivée de gaz est bouchée. (Tuyau ou connexions aux brûleurs).</li><li>• L'électrode ou le circuit d'allumage sont endommagés ou défectueux.</li><li>• La bouteille de gaz est vide</li></ul>	<ul style="list-style-type: none"><li>• Faire vérifier ou remplacer le régulateur.</li><li>• Nettoyer le brûleur.</li><li>• Nettoyer le tuyau et les connexions avec le brûleur.</li><li>• Changer l'électrode et le circuit d'allumage</li><li>• Remplacer la bouteille de gaz.</li></ul>
<b>Le brûleur ne s'allume pas à l'aide d'une allumette.</b>	<ul style="list-style-type: none"><li>• Le régulateur est défectueux.</li><li>• Le brûleur est bouché.</li><li>• L'arrivée de gaz est bouchée. (Tuyau ou connexions aux brûleurs).</li><li>• La bouteille de gaz est vide.</li></ul>	<ul style="list-style-type: none"><li>• Faire vérifier ou remplacer le régulateur.</li><li>• Nettoyer le brûleur.</li><li>• Nettoyer le tuyau et les connexions avec le brûleur.</li><li>• Remplacer la bouteille de gaz.</li></ul>
<b>L'intensité de la flamme est faible ou s'éteint facilement. (Un sifflement ou ronflement peut être entendu.)</b>	<ul style="list-style-type: none"><li>• Le brûleur est bouché.</li><li>• L'arrivée de gaz est bouchée. (Tuyau ou connexions aux brûleurs).</li><li>• Trop de vent.</li></ul>	<ul style="list-style-type: none"><li>• Nettoyer le brûleur.</li><li>• Nettoyer le tuyau et les connexions avec le brûleur.</li><li>• Utiliser le barbecue dans un endroit plus abrité.</li></ul>

# GARANTIE

## North Atlantic Imports LLC, 90 Day & Limited Warranty

North Atlantic Imports LCC, le producteur des Produits BLACKSTONE, garantit les pièces, main d'œuvre et finitions (contre la rouille) pendant 90 jours à partir de la date d'achat. Ce sera l'option du producteur de réparer ou de remplacer les pièces.

Si ce BLACKSTONE 17 "Griddle échoue en raison d'un défaut matériel ou de fabrication dans les 90 jours de la date de achat, appeler le (435) 252-3030 pour arranger le remplacement des pièces.

Veillez garder une copie de votre preuve d'achat pour confirmer votre garantie. Vous pourrez être demandé d'envoyer une copie de votre reçu pour confirmer toute demande de garantie.

La garantie est limitée au premier propriétaire uniquement. Cette garantie n'engage pas la responsabilité de North Atlantic Imports LLC, ses employés ou agents pour des dommages extérieurs en cas de rupture de garantie.

L'acheteur doit suivre les instructions d'usage du fabricant. La garantie s'annule si ce produit est utilisé à des fins commerciales ou de location. En aucun cas est le fabricant responsable des dommages causés par l'échec de manipuler correctement ce produit.

Toutes les garanties excluent la perte de peinture, la décoloration ou la rouille de surface, qui sont soit des pièces consommables qui peuvent s'user pendant la période de garantie, ou peuvent être le résultat d'une utilisation normale, d'accident ou de mauvais entretien.

Après 90 jours à compter de la date d'achat, ou si une preuve d'achat valide ne peut être fournie, vous pouvez acheter des pièces de rechange en composant le (435) 252-3030. (Prix d'achat des pièces avec les frais d'expédition et de manutention à payer par le client).

## Lire la section suivante pour de plus amples informations au sujet de la garantie :

La société North Atlantic Imports LLC garantit cet appareil contre tout défaut d'assemblage, de construction et lié à la main d'œuvre si et seulement si, son utilisation, non commerciale et privée, est effectuée en respectant scrupuleusement les instructions fournies par le constructeur. Cette garantie établit la responsabilité de North Atlantic Imports LLC de réparer ou échanger sans frais pour le consommateur, toute pièce qui, après examen de North Atlantic Imports LLC, serait défectueuse, dans le cadre d'une utilisation personnelle normale et dans la limite de temps suivante : a) 90 jours à compter de la date d'achat pour les pièces, finitions et main d'œuvre. Dans le cas d'un manquement à la durée de garantie ci-dessus, l'acheteur original est tenu de notifier North Atlantic Imports LLC de la rupture de garantie dans la limite du délai de garantie. Après réception de la notification de l'acheteur original, North Atlantic Imports LLC s'engage à rectifier la situation en remplaçant ou en réparant les pièces défectueuses. North Atlantic Imports LLC s'engage à respecter scrupuleusement la procédure énoncée ci-dessus dans un objectif de maintien de la qualité du produit.

North Atlantic Imports LLC ne garantit pas que cet appareil réponde au code de sécurité de quelque état, municipalité ou juridiction. L'utilisateur accepte tout risque et responsabilité liés à l'utilisation, en accord ou pas avec les instructions du constructeur, de l'appareil. Cette garantie ne couvre pas et exclut toute responsabilité de North Atlantic Imports LLC, de ses représentants, employés et agents, mentionnés dans cette garantie ou légalement liés, quant aux dommages résultants d'une rupture de la garantie. L'acheteur doit se tenir informé de la durée de garantie grâce à la date d'achat figurant sur la preuve d'achat (ticket de caisse). Cette garantie ne s'applique pas au produit, ou à toute pièce du produit en cas d'accident résultant de négligence, altération, abus, mauvaise utilisation ou transformation de l'appareil ou d'une de ses pièces, dans le cas d'une réparation sans l'accord préalable de North Atlantic Imports LLC ou en dehors de l'usine North Atlantic Imports LLC. La garantie ne couvre en aucun cas les accessoires non fournis avec l'appareil. Cette garantie s'applique dans la limite du territoire des Etats Unis d'Amérique. Cette garantie octroie certains droits à l'utilisateur, d'autres droits peuvent exister en fonction des états.

## SERVICE AU CONSOMMATEUR

### Notre équipe est là pour vous aider!

En cas de questions au sujet de votre produit BLACKSTONE ou en cas de besoin de pièces de rechange, vous pouvez nous contacter au :

Pour les États-Unis : 435.252.3030  
ou  
support@blackstoneproducts.com

C'est un plaisir de répondre à vos questions concernant les pièces de rechange ou votre garantie. Notre équipe après vente est accessible du lundi au vendredi de 8 heures à 17 heures (UTC/GMT -7). Si tous les opérateurs sont occupés ou en dehors des heures d'opération, vous pouvez laisser un message et nous vous recontacterons.

## ASSAISONNEMENT GRIDDLE



### Instruction de la vidéo

Utilisez un lecteur de QR code sur votre téléphone intelligent et regardez une vidéo sur l'assaisonnement et vous maintenir Blackstone Griddle.

[www.BlackstoneProducts.com/griddlecare](http://www.BlackstoneProducts.com/griddlecare)

### Quel est Assaisonnement

Assaisonnement est un processus par lequel l'huile est cuit dans le métal pour créer une surface résistante de bâton et de protéger contre l'oxydation.

Blackstone Griddles viennent avec une mince couche d'huile de soja sur eux pour protéger contre la rouille pendant l'expédition. Vous pouvez laver ce avec de l'eau chaude savonneuse avant votre assaisonnement initial.

### Quelle huile dois-je utiliser?

Certaines huiles sont mieux que d'autres pour l'assaisonnement. Nous recommandons l'huile de graine de lin pour votre assaisonnement initial car elle crée un lien très durable, cependant, l'une des huiles suivantes peuvent être utilisées.

- Flax seed oil
- Extra Virgin Olive Oil
- Vegetable Oil
- Soy Oil

### Assaisonnement initiale de la plaque chauffante:

L'idée de base derrière votre assaisonnement initial est de pelage de votre plaque de cuisson avec de l'huile et faire chauffer l'huile dessus de son point de fumée pour polymériser l'huile et créer un lien avec le haut de la plaque chauffante. Vous allez vous retrouver avec une surface résistante noir, bâton qui est facile à nettoyer.

1. Appliquer petite quantité d'huile à la surface de la partie supérieure de la plaque chauffante et le répandre autour avec un chiffon ou une serviette en papier (utiliser des pinces ou une spatule métallique pour maintenir le tissu ou du papier absorbant).
2. Tournez votre plancha sur feu moyen-élevé
3. Chauffer l'huile jusqu'à ce qu'elle atteigne son "point de fumée" et laissez-le continuer à chauffer sur le dessus de la plaque chauffante jusqu'à ce qu'il arrête de fumer. Votre haut de la plaque chauffante va commencer à se décolorer. C'est bon.
4. Laissez votre plaque chauffante refroidir un peu. Répétez les étapes 1 à 3 à quelques reprises jusqu'à ce que vous avez une surface noire sur votre plancha.

### Nettoyage et entretien de votre plancha

Pour nettoyer la plaque après chaque utilisation, grattez délicatement avec une spatule ou un grattoir métallique et essuyez la surface de la plaque avec un chiffon ou une serviette en papier. Pour les résidus de nourriture dur, verser de l'eau sur la surface de la plaque chaude et laisser bouillir le résidu off.

Une fois que vous avez fini d'utiliser votre plancha vous devez appliquer une très fine couche d'huile pour maintenir votre lien d'assaisonnement et de protéger de la rouille. Si la rouille ou la mise à l'échelle (assaisonnement ébréché) se produisent, frottez-les avec une laine d'acier ou du papier de verre à grain faible et re-saison la surface. Rangez votre plancha dans un endroit frais et sec.

### Qu'est-ce que une plaque bien assaisonné devrait ressembler

Votre plancha bien assaisonné devrait être noir brillant et ont une surface naturelle de cuisson antiadhésif. Le plus vous faites cuire avec et la saison de votre haut de la plaque chauffante, plus noir, tenez résistant et brillant, il deviendra.





# BLACKSTONE®

MODELO #1650

Manual del usuario

## 17" Tabletop Griddle



**VIDEO DE MONTAJE**

[www.blackstoneproducts.com/17griddle](http://www.blackstoneproducts.com/17griddle)



**ADVERTENCIA**



**Sólo uso exterior.**

Por favor, lea el manual cuidadosamente antes de su montaje. Guarde este manual para futura referencia

# LISTA DE CONTENIDOS

Registro del producto.....	26
Para su seguridad.....	27
Utilización y cuidado.....	29
Instrucciones de montaje y encendido.....	31
Cuidado, mantenimiento y solución de problemas.....	34
Garantía de la parrilla.....	35
Servicio al cliente.....	36
Condimentos plancha.....	36

## REGISTRO DEL PRODUCTO

Para registrar su producto BLACKSTONE, por favor diríjase a [www.blackstoneproducts.com/register](http://www.blackstoneproducts.com/register)

Número de modelo: \_\_\_\_\_

Número de serie: \_\_\_\_\_

Fecha de compra: \_\_\_\_\_

### Al instalador/ensamblador:

Deje estas instrucciones con el consumidor.

### Al consumidor:

Guarde este manual para referencia futura.

## SIMBOLOS DE SEGURIDAD

Los símbolos y las cajas que se muestran abajo explican el significado de cada encabezado. Lea y cumpla todo lo indicado en los mensajes que se encuentran en el manual.



### PELIGRO

**PELIGRO:** indica una situación inminente de riesgo que si no se evita, puede derivar en muerte o lesiones muy graves.



### ADVERTENCIA

**ADVERTENCIA:** Esté alerta ante la posibilidad de sufrir serios daños físicos si las instrucciones de este manual no se cumplen. Lea y cumpla cuidadosamente con todo lo indicado en los mensajes.



### PRECAUCIÓN

**PRECAUCIÓN:** indica una situación potencialmente peligrosa que, si no evita, puede ocasionar lesión leve o moderada.



### PROPUESTA 65 DE CALIFORNIA: ATENCIÓN

**ATENCION:** Este producto contiene sustancias químicas que, conforme al estado de California, producen cáncer, defectos de nacimiento u otros daños reproductivos. (La ley de California estipula que debe hacerse una advertencia a los consumidores en el estado de California).

Para más información lea: [www.watts.com/prop65](http://www.watts.com/prop65)

# PARA SU SEGURIDAD

Este manual de instrucciones contiene información importante necesaria para armar el artefacto adecuadamente y usarlo de manera segura. Lea todas las advertencias e instrucciones antes de armar y utilizar el artefacto. Cumpla con todas las advertencias e instrucciones durante el montaje y utilización del artefacto. El incumplimiento de estas instrucciones puede ocasionar incendio o explosión, el cual puede causar daño material, físico o la muerte.



## PELIGRO

### Si huele gas:

1. Apague el gas al aparato.
2. Apague cualquier llama abierta.
3. Abra la tapa
4. Si el olor persiste, aléjese del aparato y llame inmediatamente a los bomberos.

El incumplimiento de estas instrucciones puede provocar un incendio o una explosión que podrían causar daños a la propiedad, lesiones personales o la muerte.



## ADVERTENCIA

No guarde o utilice gasolina u otros líquidos inflamables o vapores cerca de este artefacto o de algún otro artefacto.

### ADVERTENCIA:

Es la responsabilidad del consumidor verificar que la parrilla BLACKSTONE de 17" esté apropiadamente ensamblada, instalada y con un mantenimiento adecuado. El incumplimiento de estas instrucciones puede ocasionar causar daño físico y/o material.

### PRECAUCIONES:

- No opere la parrilla BLACKSTONE de 17" cerca de 36" de material combustible, inclusive paredes y techos. Nunca lo utilice en interiores.
- No utilice este artefacto debajo de superficies inflamables.
- Si falla el regulador, éste debe ser reemplazado con uno del mismo modelo. Por favor, llame a servicio del cliente y pida un repuesto autorizado de BLACKSTONE.
- Realice una inspección visual del paso del gas, desde la conexión del tanque a los orificios del elemento y revise que no haya rajaduras, pérdidas, quebraduras o intrusiones. Comience en el tanque y continúe por toda la conexión de la línea de gas. Inspeccione la perilla y evalúe defectos similares. Siga el paso del gas hacia los elementos. Revise que no haya anomalías o rajaduras en el elemento u orificios en el centro de la parrilla. Por favor, contáctese con servicio al cliente si tiene alguna pregunta o duda.



## ADVERTENCIA

- Este artefacto debe utilizarse solamente en exteriores, y no debe ser utilizado en un edificio, garaje, u otra área cerrada.
- Este artefacto no está diseñado para ser instalado en vehículos recreacionales.
- El uso de alcohol y medicamentos con o sin prescripción médica puede incapacitar la habilidad del consumidor para armar adecuadamente y hacer funcionar el artefacto de manera segura.
- En el caso que ocurra un incendio por aceite o grasa, no intente extinguirlo con agua. Comuníquese inmediatamente con el departamento de bomberos. Un extinguidor de incendios tipo BC o ABC puede, en algunos casos, contener el fuego.
- No deje nunca el aparato solo. Mantenga a los niños y animales alejados del artefacto en todo momento.
- Este artefacto no está diseñado para y nunca debería ser utilizado como calefactor.
- Este artefacto estará caliente durante y después de su utilización. Use guantes de cocina aislantes o guantes que lo protejan de superficies calientes o de salpicaduras de líquidos de cocina.

Comuníquese con el centro de información de la parrilla de BLACKSTONE si usted necesita ayuda, repuestos, preguntas acerca del montaje, o problemas con su funcionamiento. Antes de devolver la parrilla BLACKSTONE de 17" a la tienda, llame a USA 435.252.3030 o escribanos a support@blackstoneproducts.com



## PRECAUCIÓN

Algunas partes podrían contener bordes filosos, especialmente las indicadas por estas instrucciones. Utilice siempre guantes de protección de ser necesario.



## PRECAUCIÓN

Diseñado solo para uso residencial en exteriores. No lo utilice para uso comercial.

## Advertencias para una instalación segura

- Utilice la parrilla BLACKSTONE de 17", tal como la compró.
- La instalación de la parrilla BLACKSTONE de 17" debe cumplir con códigos locales, o en la ausencia de los mismos, con el Código Nacional de Gas Combustible, ANSI Z223.1/ NFPA 54, o el Código de Instalación de Gas Natural y Propano, CSA B149.1, el Código de Manipulación y Almacenaje de Propano, B149.2, o las Normas para Vehículos Recreacionales, ANSI A 119.2/NFPA 1192, y las Series RV CSA Z240, el Código de Vehículos Recreacionales, como corresponda.
- La parrilla BLACKSTONE de 17" no está diseñada para su uso en o sobre vehículos recreacionales y/o en botes.
- La parrilla BLACKSTONE de 17" cuenta con certificación de seguridad para su utilización en los Estados Unidos únicamente. No modifique su utilización en ninguna otra locación. Su modificación conllevará poner en peligro su seguridad.
- Se debe utilizar el regulador de presión que se suministra con el aparato. El reemplazo de los reguladores de presión deberán ser los que especifica el fabricante del artefacto.
- Coloque la tapa protectora de polvo en la válvula de salida del cilindro, siempre que el cilindro no esté en uso. Únicamente instale la tapa protectora de polvo en la válvula de salida del cilindro que se suministra con la válvula del cilindro. Otros tipos de tapa o tapones pueden dar como resultado pérdida de gas propano.

## Mantenimiento Seguro

- Mantenga el área del artefacto limpia y libre de materiales combustibles, gasolina y otros vapores y líquidos inflamables.
- No obstruya el flujo de combustión y la ventilación del flujo de aire.
- Mantenga las aberturas de ventilación del cilindro libres de obstrucciones y sin basura.
- Revise visualmente las llamas del quemador.
- Limpie el artefacto, inclusive las superficies especiales con agentes de limpieza recomendadas, como corresponda.
- Revise y limpie el quemador/ tubo Venturi de insectos y nido de insectos. Un tubo obstruido puede resultar en fuego debajo del artefacto.

# UTILIZACIÓN Y CUIDADO

## Recomendaciones de Seguridad

- Cuando la parrilla BLACKSTONE de 17" no esté en uso, apáguela.
- Nunca mueva la parrilla BLACKSTONE de 17" cuando esté en uso o cuando todavía esté caliente.
- Utilice utensilios para barbacoa con mango largo y guantes aislantes para evitar quemaduras o salpicaduras.
- Mantenga la unidad al menos a 36" lejos de paredes, edificios, vehículos y otras estructuras cuando esté en uso.
- Limpie la parrilla BLACKSTONE de 17" con frecuencia, preferentemente después de cada barbacoa.
- Si nota grasa u otro material caliente goteando de la parrilla BLACKSTONE de 17" hacia la válvula o regulador, cierre el suministro de gas de inmediato. Determine la causa, corríjala, luego limpie e inspeccione la válvula, manguera y regulador antes de continuar. Realice una prueba de pérdida.
- Mantenga las aberturas de ventilación del cilindro libres de obstrucciones y sin basura.
- El regulador puede hacer un ruido como de zumbido o silbido durante su funcionamiento. Esto no afectará la seguridad o uso de la parrilla BLACKSTONE de 17".
- Si usted tiene un problema con su parrilla BLACKSTONE de 17", consulte la sección Solución de problemas en la página 34. Si usted no puede solucionar el problema, por favor comuníquese con "servicio al cliente" al 435.252.3030 o escríbanos a support@blackstoneproducts.com
- Si el regulador se congela, apague la parrilla BLACKSTONE de 17" y el tanque de gas LP inmediatamente. Esto indica un problema con el tanque de gas LP y no debería utilizarse en ningún producto. Devuélvaselo al proveedor.



### ADVERTENCIA

Apague la fuente de gas y controles del tanque de gas cuando no se esté utilizando.



### PRECAUCIÓN

Si el encendido NO ocurre en 5 segundos, desconecte los controles de los quemadores, espere 5 minutos y repita el proceso de encendido. Si el quemador no enciende con la válvula abierta, el gas continuara saliendo por el quemador y puede accidentalmente encenderse ocasionando lesiones.

## Control de la Llama del Quemador

Encienda el quemador, gire la perilla desde la posición high (alto) a low (bajo). Deberá observar una llama pequeña en la posición baja, que la antes observada en la posición alta. Siempre controle la llama antes de cada uso. Si solo puede observar una llama pequeña, consulte la sección "Llama pequeña o caída repentina de la llama" en la sección Solución de problemas de la página 34.

## Cómo apagar la parrilla de 17"

Gire la perilla hacia la posición de apagado OFF

## Control de la válvula

**Importante:** Para revisar la válvula, primero empuje la perilla y suelte, la perilla deberá volver a su forma original. Si la perilla no vuelve a su forma original, reemplace la válvula antes de usar la parrilla de 17". Gire la perilla a la posición de fuego lento (Low) y luego vuelva a la posición de apagado OFF. La válvula debe girar suavemente.

## • Limpieza general de la parrilla de 17"

- No confunda la acumulación de grasa marrón o negra y humo por pintura. No aplique limpiador de parrilla cáustica o limpiador de horno a las superficies pintadas.
- Partes plásticas: lave con agua tibia con jabón y seque. No utilice Citrisol, limpiadores abrasivos, desengrasantes o limpiadores de horno concentrados sobre partes plásticas. Esto puede resultar en daño o falla de las piezas.
- Superficies pintadas: lave con detergente suave o limpiador no abrasivo y con agua tibia con jabón. Seque con un paño suave no abrasivo.
- Los depósitos de grasa tras haber cocinado requieren el uso de una almohadilla de limpieza plástica abrasiva. Use únicamente en dirección al acabado para evitar daños. No utilice la almohadilla abrasiva en las áreas con gráficos.

## Almacenamiento de la parrilla BLACKSTONE de 17"

- Almacene en un lugar seco.
- Cuando el tanque de gas LP esté conectado a la parrilla BLACKSTONE de 17", almacene en exteriores en un espacio bien ventilado y fuera del alcance de los niños.
- Almacene la parrilla BLACKSTONE de 17" en interiores SOLAMENTE si el tanque de gas LP está apagado y desconectado de la parrilla BLACKSTONE de 17" y almacene en exteriores.
- Cuando remueve la parrilla BLACKSTONE de 17" del almacenaje, cumpla con las instrucciones de "limpieza del montaje del quemador" antes de hacer funcionar su parrilla.

## Limpieza del montaje del quemador

Siga estas instrucciones para limpiar y/o reemplazar piezas del montaje del quemador o si usted tiene algún problema de encendido de su parrilla BLACKSTONE de 17".

1. Gire la perilla de control a la posición OFF.
2. Separe el electrodo del quemador. Nota: El método de extracción o desprendimiento dependerá de la configuración del quemador.
3. Cuidadosamente, levante el quemador y retire de las aperturas de la válvula. Sugerimos tres maneras para limpiar los tubos del quemador. Utilice la que sea más fácil para usted. (A) Doble un alambre en forma de gancho (un colgador de ropa liviano o percha funciona bien). Pase el gancho por los tubos del quemador varias veces. (B) Utilice un cepillo de botella angosto con una manija flexible (no utilice un cepillo de alambre de cobre). Pase el cepillo por los tubos del quemador varias veces. (C) Utilice protección para los ojos: Use una manguera de aire para forzar aire hacia el tubo del quemador y hacia afuera de los puertos del quemador. Revise cada puerto para asegurarse que pueda salir aire por cada agujero.
4. Cepille la superficie exterior del quemador y remueva residuos de comida y basura.
5. Limpie los puertos bloqueados con un alambre rígido, como por ejemplo un sujetapapeles.
6. Revise que el quemador no este dañado. Debido al uso normal y a la corrosión, algunos agujeros pueden agrandarse. Si hubiera alguna fisura grande o encuentra agujeros, reemplace el quemador.
7. Coloque el electrodo al quemador
8. Cuidadosamente, reemplace quemadores.
9. Coloque los quemadores a los soportes del hogar.

## Seguridad Alimentaria

La seguridad alimentaria es una parte muy importante para disfrutar de la experiencia culinaria al aire libre. Para mantener la comida libre de bacterias dañinas, asegúrese de cumplir con estos cuatro pasos:

1. **Limpieza:** Lávese las manos, los utensilios y las superficies con agua caliente con jabón antes y después de manipular la carne cruda (roja o blanca).
2. **Separación:** Separe la carne cruda de los alimentos listos para el consumo para evitar la contaminación cruzada.
3. **Cocción:** Cocine la carne completamente para eliminar bacterias. Use un termómetro para verificar que los alimentos alcancen la temperatura interna adecuada.
4. **Refrigeración:** Refrigere los alimentos preparados y los que no se consumieron lo más rápido posible. Para más información, visite La Asociación Canadiense para la Educación de los Consumidores sobre la Seguridad Alimentaria. - [www.befoodsafe.ca](http://www.befoodsafe.ca)

## Como Saber si la Carne está Adecuadamente Cocida

- La carne asada a la parrilla o en el horno frecuentemente se dora muy rápido. Utilice un termómetro para carne para verificar que los alimentos alcancen una temperatura interna segura. Corte la carne para verificar visualmente si ya está lista.
- La temperatura de las aves como unidad debe alcanzar los 165° F/74°C. El jugo de las mismas debe ser transparente y la carne no debe tener un color rosado.
- La temperatura de las hamburguesas hechas con carne molida de res o de ave debe alcanzar los 160°F/71°C, y el color de su centro debe ser marrón, sin jugos de color rosado. La carne de res, ternera, cordero, carne asada y chuletas pueden alcanzar 145°F/63°C. Todos los cortes de cerdo deben alcanzar 160°F/71°C.
- **NUNCA** cocine las carnes rojas o blancas parcialmente para volver a cocinarla más tarde. Cocine los alimentos completamente para eliminar las bacterias dañinas.
- Cuando recaliente comida rápida o carne completamente cocida, tales como salchichas, cocínelas a 165°F/64°C o hasta que alcance temperaturas altas.

# INSTRUCCIONES DE MONTAJE Y ENCENDIDO

## ADVERTENCIA

El fabricante ha puesto todo su esfuerzo para eliminar los bordes filosos. Sin embargo, uno debe manipular los componentes con cuidado para evitar lesiones accidentales.

Por favor, lea todas las instrucciones completamente antes de proceder. Utilice un área grande y limpia para montar su parrilla BLACKSTONE de 17". Por favor, consulte el diagrama de montaje, de ser necesario.

**Atención:** Asegúrese de quitar toda la protección plástica y embalaje antes del montaje.



## VIDEO DE MONTAJE

Vea como se monta una parrilla BLACKSTONE de 17" en video. Utilice una APP de código QR y escanee el código.

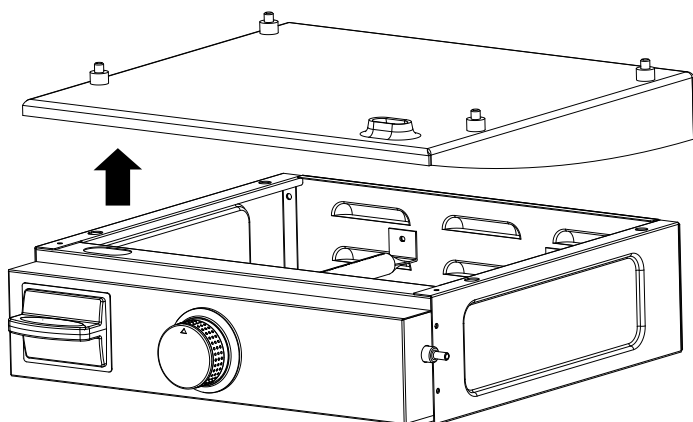
[www.blackstoneproducts.com/17griddle](http://www.blackstoneproducts.com/17griddle)

## LISTA DE PARTES

- Tapa de la parrilla
- (4) Pies ajustables en altura
- Perilla de temperatura
- Bandeja para goteo de aceite
- Estructura principal
- Regulador

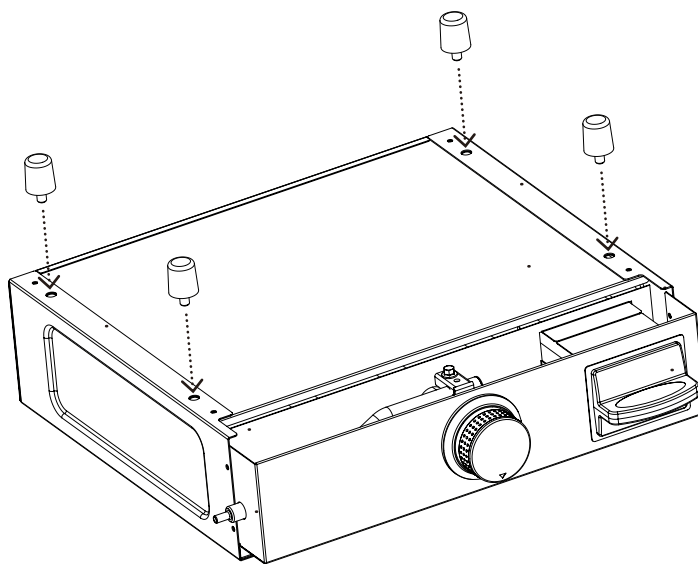
## PASO 1

Retire los cuatro pies ajustables y regulador del embalaje. Separe la tapa de la parrilla del cuerpo de la misma.

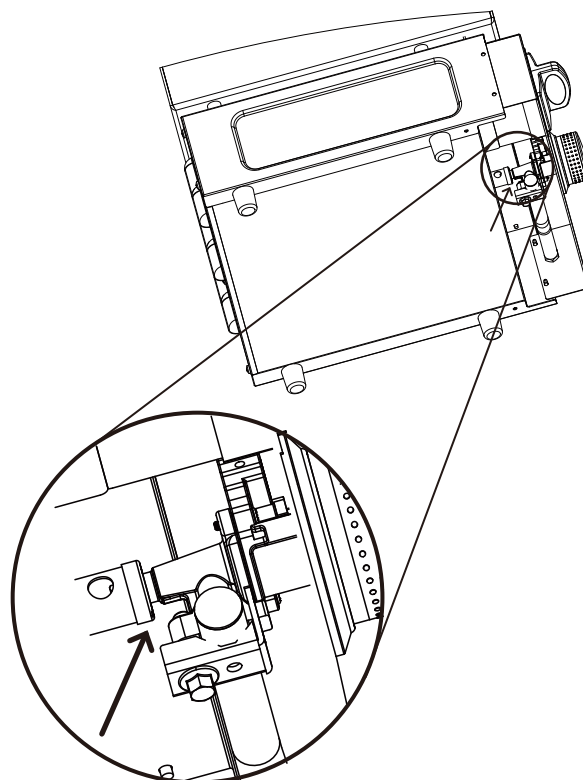


## PASO 2

Coloque la parrilla al revés y apóyela sobre una superficie suave. Enganche las cuatro patas de altura regulable a la base de la parrilla.

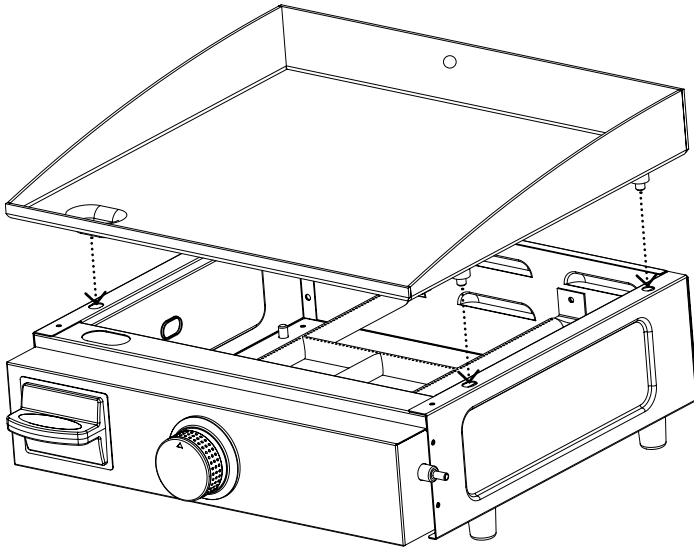


Mientras que su plancha está al revés, asegúrese de que la boquilla de combustible está alojado dentro de la abertura del tubo quemador.



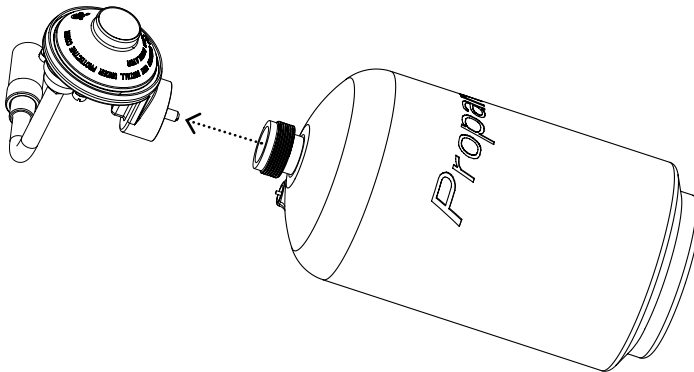
### PASO 3

Voltee la parrilla para que se apoye sobre las patas de la misma y coloque la tapa de la parrilla sobre el cuerpo de la misma. Asegúrese que los cuatro apoyos de la tapa de la parrilla se enganchen en el cuerpo de la misma.

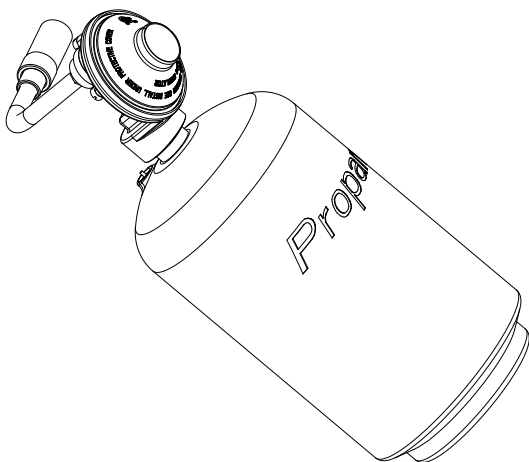


### PASO 4

Enrosque el tanque de gas LP al regulador de gas, girando el tanque en sentido de las agujas del reloj.



La bombona de gas debe ser similar a la imagen siguiente cuando se conecta adecuadamente al regulador.



Asegúrese de utilizar sólo un 3,8 x 7.8inch, botella de propano 16,4 oz. La botella LP a utilizar debe estar construido y marcado de acuerdo con las especificaciones para botellas LP, Departamento de Transporte (DOT) o la Norma para Cilindros, esferas y tubos para el transporte de mercancías peligrosas, CAN / CSA-B339.

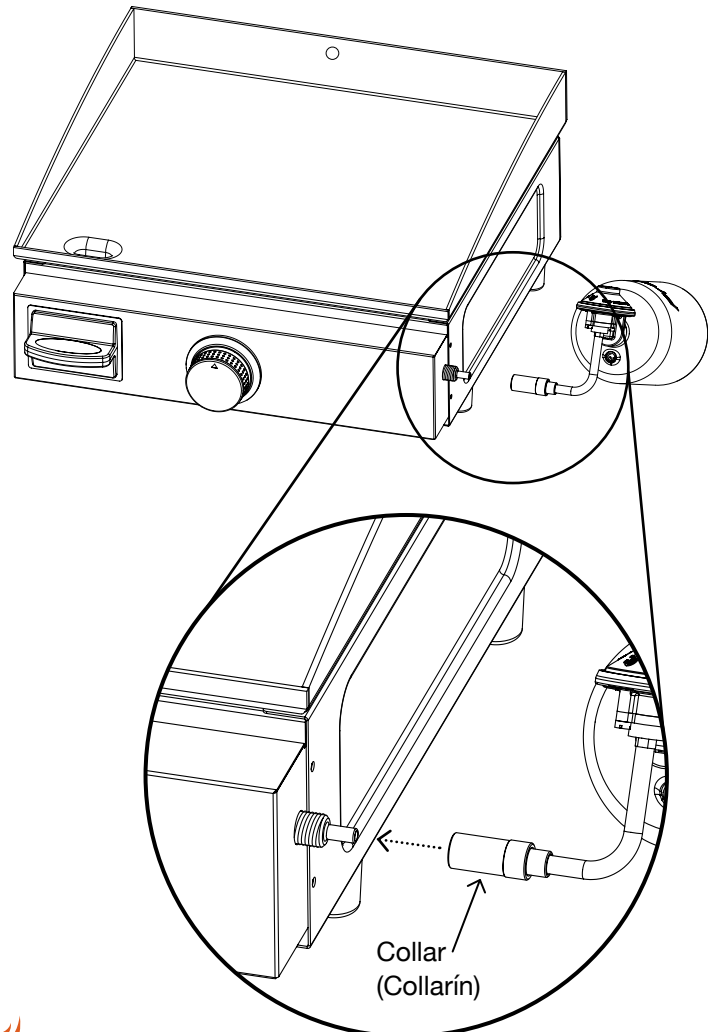
La botella de gas debe ser desconectado cuando la plancha no está en uso. Solamente los cilindros marcados "propano" puede ser utilizado. La botella de gas debe ser posicionado para extraer el vapor.

1. No guarde un cilindro de gas LP de repuesto debajo o cerca de este aparato;
2. Nunca llene el tanque a más del 80 por ciento completo.

Si las instrucciones 1) y 2) no se siguen exactamente, puede ocurrir un incendio causando la muerte o lesiones graves.

### PASO 5

Introduzca el regulador de gas y el tanque a la línea de gas de la parrilla. Gire el collarín del regulador de gas en el sentido de las agujas del reloj y asegúrelo a la línea de gas.





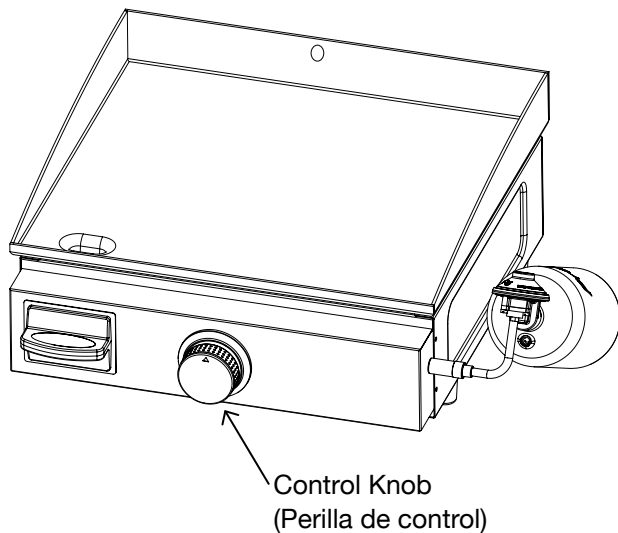
## AVISO AL CLIENTE:

Para realizar una prueba de fugas de las conexiones de gas , mezclar una solución de 50/50 de agua y jabón y cepillo en torno regulador y otras conexiones de gas . Si aparecen burbujas que crecen , hay una fuga . Vuelva a apretar las conexiones. Si las fugas no se puede detener no trate de reparar. Convocatoria de piezas de recambio en el (435) 252-3030.

## COMO ENCENDER LA PARRILLA

No se incline sobre la parrilla al encenderla. Lea las instrucciones antes de su encendido.

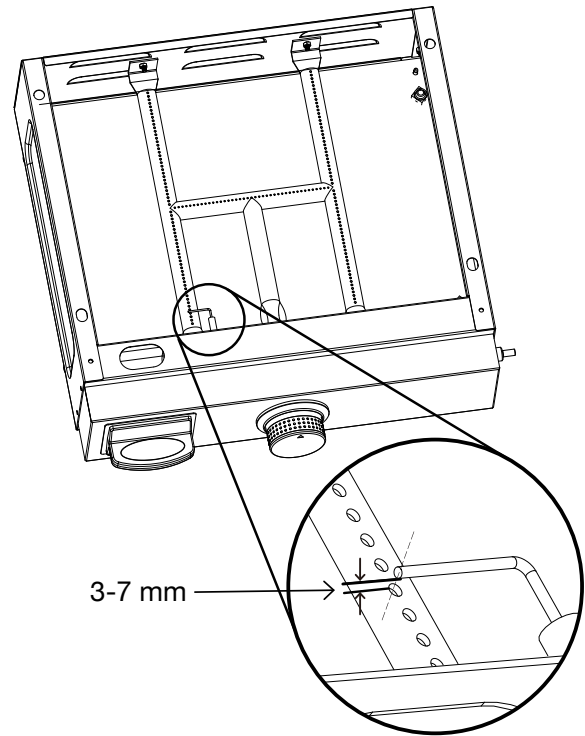
1. Lea todas las instrucciones antes de la iluminación.
2. Presione la perilla de control para que fluya el gas.
3. Gire la perilla de control en el sentido de las agujas del reloj para activar el encendido.
4. Ajuste la temperatura al nivel deseado.
5. Si no enciende, apague el gas girando la perilla en sentido contrario a las agujas del reloj y repita las instrucciones de encendido.



## Instrucciones de encendido fósforo

No se incline sobre la parrilla cuando la esté encendiendo. Asegúrese de que no hay fugas de gas.

1. Asegúrese de que la perilla de control esté en la posición "OFF".
2. Retire la parte superior de la plancha.
3. Encender un fósforo largo (11 pulgadas), luego se coloca en el quemador lateral derecha o izquierda.
4. Empuje y gire la perilla de control a la posición ALTA. El quemador se encienda y que permanezca encendido

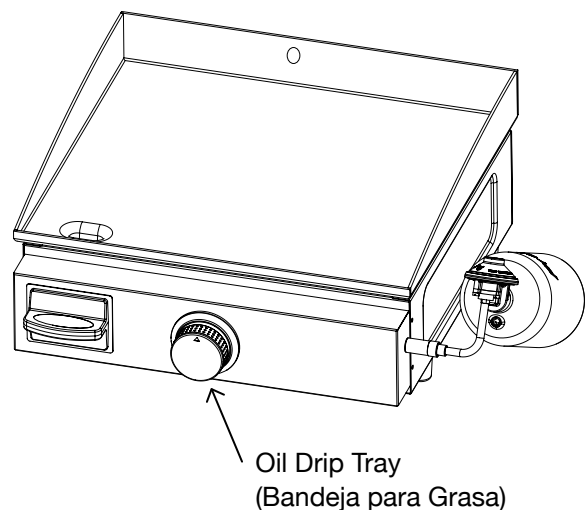


## IGNICIÓN AGUJA COLOCACIÓN

La aguja de encendido debe ser 3-7 milímetros del tubo del quemador para conformar la chispa adecuada. La aguja de encendido no debe tocar el tubo del quemador.

## BANDEJA PARA GRASA

Revise la bandeja para grasa con frecuencia y límpiela bien después de cada uso.



## Desconexión de la botella de gas

Asegúrese de que su plancha es apagado y frío. Desconecte el regulador de la línea de gas aflojando el cuello, luego desenroscar la bombona de gas del regulador.

# CUIDADO, MANTENIMIENTO Y SOLUCIÓN DE PROBLEMAS

Limpie con regularidad la parrilla BLACKSTONE 17" entre usos y especialmente después de períodos de almacenamiento prolongado. Asegúrese que la parrilla BLACKSTONE 17" y sus componentes estén lo suficientemente fríos antes de limpiarlos. Nunca manipule partes calientes con las manos desprotegidas.

Para mantener y prolongar la vida y condición de su parrilla BLACKSTONE 17", sugerimos que se cubra el aparato al dejarlo expuesto en el exterior por un largo plazo de tiempo, especialmente durante los meses del invierno.

## Conexiones y Almacenamiento

Es recomendable revisar y ajustar las conexiones de metal anualmente. Almacene la parrilla BLACKSTONE de 17" en un lugar fresco y seco. Cubra los quemadores con papel aluminio para impedir que los insectos y otros residuos no se concentren en los agujeros. Si se almacena la parrilla BLACKSTONE de 17" en el interior, se debe desconectar el tanque de gas LP y se debe colocar en el exterior. El tanque de gas LP siempre debe almacenarse en el exterior, fuera del alcance de los niños, y en un área fresca y bien ventilada lejos de cualquier fuente de calor o ignición.

## Solución de Problemas

Problema	Causa Posible	Solución
<b>El quemador no enciende al usar el sistema de ignición piezoeléctrico.</b>	<ul style="list-style-type: none"><li>• Regulador defectuoso.</li><li>• Obstrucciones en el quemador.</li><li>• Obstrucciones en las boquillas de gas o en la manguera de gas.</li><li>• El electrodo está dañado o el sistema de encendido está defectuoso.</li><li>• El tanque de gas LP está vacío.</li></ul>	<ul style="list-style-type: none"><li>• Revise o reemplace el regulador.</li><li>• Limpie el quemador.</li><li>• Limpie las boquillas y la manguera de gas.</li><li>• Reemplace el electrodo y el alambre o reemplace el sistema de encendido.</li><li>• Utilice un tanque de gas LP nuevo</li></ul>
<b>El quemador no enciende con un fósforo.</b>	<ul style="list-style-type: none"><li>• Regulador defectuoso.</li><li>• Obstrucciones en el quemador.</li><li>• Obstrucciones en las boquillas de gas o en la manguera de gas.</li><li>• Tanque de gas LP vacío</li></ul>	<ul style="list-style-type: none"><li>• Revise o reemplace el regulador.</li><li>• Limpie el quemador.</li><li>• Limpie las boquillas y la manguera de gas.</li><li>• Utilice un tanque de gas LP nuevo</li></ul>
<b>La llama en los tubos del quemador es poca o tiene un fognazo (se escucha un silbido o ruido ardiente)</b>	<ul style="list-style-type: none"><li>• Obstrucciones en el quemador.</li><li>• Obstrucciones en las boquillas de gas o en la manguera de gas.</li><li>• Condiciones ventosas.</li></ul>	<ul style="list-style-type: none"><li>• Limpie el quemador.</li><li>• Limpie las boquillas y la manguera de gas.</li><li>• Utilice la parrilla en un lugar más protegido.</li></ul>

# GARANTIA

## 90 Días y Garantía Limitada de North Atlantic Imports LLC

North Atlantic Imports LLC, el fabricante de Productos BLACKSTONE, garantizará todas las partes, calidad y acabado (contra oxidación) durante noventa días a partir de compra. Será la decisión del fabricante optar por la reparación o el reemplazo de cualquiera de los elementos anteriores.

Si la parrilla BLACKSTONE de 17" falla dentro de los 90 días de haber sido realizada su compra debido a algún defecto en su material o calidad, llame al (435) 252-3030 para acordar la sustitución de piezas.

Por favor, guarde una copia de su recibo de compra para validar su garantía. Se le requerirá enviar una copia de su recibo para confirmar cualquier pedido de garantía.

Todas las garantías están limitadas únicamente al comprador original. Esta garantía no cubrirá ninguna responsabilidad de parte de North Atlantic Imports LLC, sus agentes o empleados, por cualquier daño resultante o indirecto debido a la ruptura de la garantía.

El comprador deberá cumplir con las instrucciones de uso del fabricante. La cobertura de garantía queda sin validez si este producto ha sido utilizado para fines comerciales o de alquiler. Bajo ninguna circunstancia el fabricante será responsable por daños ocasionados debido a una utilización inadecuada del producto.

Toda cobertura de garantía excluye piezas despintadas, descoloridas u oxidación en la superficie, las cuales pueden ser piezas sujetas a desgaste debido a su uso normal dentro del periodo de garantía, o debido a condiciones que resulten del uso normal, accidente o mantenimiento inapropiado.

Después de los 90 días desde la fecha de compra, o si no se puede proveer un comprobante de compra válido, usted puede comprar la pieza de repuesto llamando al (435) 252-3030. (El cliente es responsable de pagar el precio de la pieza de repuesto más los gastos de envío).

## Para una explicación más detallada de la garantía, lea a continuación.

North Atlantic Imports LLC garantiza al comprador que el producto cubierto por esta garantía está libre de defectos de material o mano de obra bajo condiciones normales de uso y servicio para el cual ha sido diseñado, pero si y solo si han sido operados de acuerdo con las instrucciones de North Atlantic Imports LLC para fines exclusivamente domésticos, y no para ser utilizado en clubes privados o públicos o para fines institucionales o comerciales. La obligación de North Atlantic Imports LLC bajo esta garantía se encuentra limitada a sustituir o reparar, de manera gratuita, cualquier parte o partes que North Atlantic Imports LLC considera defectuosa bajo uso doméstico normal y desempeñará servicio dentro de los periodos indicados de la fecha de compra; a) de 90 días desde la compra, todas las partes, acabados y calidad. Si llegase a presentarse alguna anomalía que resulte en el incumplimiento de la presente garantía durante el periodo de la garantía que se menciona más arriba, el comprador original debe notificar a North Atlantic Imports LLC de la ruptura de la garantía dentro del periodo de la garantía. North Atlantic Imports LLC advertirá si el comprador ha cumplido con dichas instrucciones, para así poder reparar o sustituir la parte o partes defectuosas. La solución en la forma prevista anteriormente constituirá el cumplimiento de las obligaciones de North Atlantic Imports LLC con respecto a la calidad del producto.

North Atlantic Imports LLC no garantiza que el producto cumpla con los requisitos del código de seguridad de cualquier estado, municipalidad u otra jurisdicción, y el comprador original asume todo riesgo y responsabilidad resultante de su utilización, si actuaron o no de conformidad con las instrucciones de North Atlantic Imports LLC. Esta garantía no cubre y excluye cualquier responsabilidad de parte de North Atlantic Imports LLC sus agentes, funcionarios o empleados si bajo esta garantía o ley implícita por daño indirecto o consecuencial por ruptura de cualquier garantía. El comprador debe establecer todos los periodos de garantía aplicables de acuerdo con esta garantía y debe verificar la fecha original de compra al proveer un comprobante de pago que demuestre la fecha de compra. Esta garantía no aplicará al producto u a otra parte del mismo si ha estado sujeto a accidente, negligencia, modificación, abuso o uso incorrecto, o que haya sido reparado o modificado sin el consentimiento por escrito de North Atlantic Imports LLC afuera de la fábrica de North Atlantic Imports LLC. North Atlantic Imports LLC no provee garantía alguna con respecto a accesorios o partes no suministradas con el producto. Esta garantía se aplicará solamente en las fronteras de los Estados Unidos. Esta garantía otorga al comprador original los derechos específicos, y el comprador original puede tener otros derechos, los cuales varían de estado a estado.

## SERVICIO AL CLIENTE

### ¡Nuestro servicio al cliente está aquí para ayudarle!

Si usted tiene preguntas relacionadas a su producto BLACKSTONE, o si usted necesita piezas de repuesto, contáctenos a:

Para asistencia en los Estados Unidos, llame al 435.252.3030  
support@blackstoneproducts.com

Estamos encantados de poder asistirlo con cualquier pregunta con respecto a las piezas de repuesto o a su garantía. Nuestro servicio al cliente puede asistirlo de lunes a viernes de 9:00 am a 5:00 pm, horario Estándar de Montaña. Si todos los operadores están ocupados o si usted llama después de las horas indicadas, puede dejar un mensaje y se le volverá a llamar. También puede escribirnos un correo electrónico.

## CONDIMENTO PLANCHA



### Instrucción vídeo

Utilice un lector de códigos QR en su teléfono inteligente y ver un video instructivo sobre el condimento y el mantenimiento que Blackstone plancha.

[www.BlackstoneProducts.com/griddlecare](http://www.BlackstoneProducts.com/griddlecare)

### ¿Cuál es el condimento?

Condimento es un proceso por el que el aceite se cuece en el metal para crear una superficie resistente al palo y proteger contra la oxidación.

Blackstone Planchas vienen con una fina capa de aceite de soja en ellos para proteger contra la oxidación durante el envío. Puede lavar esta apagado con agua tibia y jabón antes de su condimento inicial.

### ¿Qué aceite debo utilizar?

Algunos aceites son mejores que otros para sazonar. Recomendamos el aceite de semilla de lino para su condimento inicial, ya que crea un vínculo muy duradero, sin embargo, cualquiera de los siguientes aceites se pueden utilizar.

- Flax seed oil
- Extra Virgin Olive Oil
- Vegetable Oil
- Soy Oil

### Condimento plancha inicial:

La idea básica detrás de su condimento inicial es recubrir su plancha con aceite y calentar el aceite por encima de su punto de humo para polimerizar el petróleo y crear un vínculo con la parte superior de la plancha. Usted va a terminar con una superficie resistente negro, palo que es fácil de limpiar.

1. Aplique una pequeña cantidad de aceite a la superficie de la parte superior de la plancha y la extendió por ahí con una toalla de tela o de papel (use pinzas o espátula de metal para sujetar la toalla de tela o papel).
2. Convierte tu plancha en fuego medio-alto
3. Calentar el aceite hasta que alcance su "punto de humo" y dejar que continúe al calor en la parte superior de la plancha hasta que se deja de fumar. Su parte superior de la plancha comenzará a decolorar. Esto es bueno.
4. Deje que su parrilla se enfríe un poco. Repita los pasos 1 a 3 un par de veces hasta que tenga una superficie de color negro en su plancha.

### Limpieza y Mantenimiento de la plancha

Para limpiar la plancha después de cada uso, raspar suavemente con una espátula de metal o un raspador y limpie la superficie de la plancha con un paño o toalla de papel. Para residuos de alimentos duros, vierta agua sobre la superficie de la plancha caliente y se deja hervir el residuo fuera.

Después de que haya terminado de usar su parrilla se debe aplicar una capa muy fina de aceite para mantener su vínculo condimentos y protegerlo contra la oxidación. Si se producen óxido o de escala (condimento astillas), frote con lana de acero o papel de lija de grano de baja y volver a la temporada de la superficie. Almacene su parrilla en un lugar fresco y seco.

### Qué plancha bien sazonada debe ser similar

Su plancha bien sazonada debe ser brillante negro y tienen una superficie natural de cocina antiadherente. Cuanto más usted cocina con y la temporada de su parte superior de la plancha, más negro, se pega resistente y brillante será.

