

# STERLING®

A KOHLER COMPANY

WINDHAM™

## Features

- Vitreous china
- 5-year limited warranty
- Flushes efficiently regardless of incoming water pressure
- Three-bolt, quick-connect installation system
- Available in round and elongated bowls
- Less seat and supply
- 1.6 gpf (6 lpf)
- 2" (5.1 cm) glazed trapway
- 10" (25.4 cm) or 12" (30.5 cm) rough-in
- 8" (20.3 cm) x 9" (22.9 cm) water area
- 27-1/4" (69.2 cm) x 16-7/8" (42.9 cm) x 29" (73.7 cm)  
[Round bowl]
- 29-1/4" (74.3 cm) x 16-7/8" (42.9 cm) x 29" (73.7 cm)  
[Elongated bowl]

## Codes/Standards Applicable

Specified model meets or exceeds the following:

- ASME A112.19.2/CSA B45.1
- Energy Policy Act of 1992

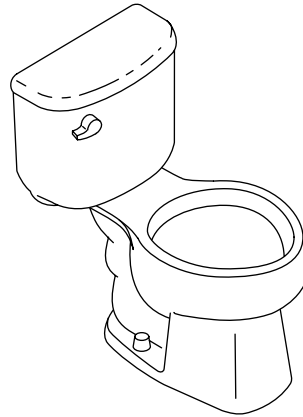
## Specified Model

Model	Description	Included Tank	Included Bowl	Colors/Finishes	
402015	Round front toilet, 12" (30.5 cm) rough-in	404515	403015	<input type="checkbox"/> 0	<input type="checkbox"/> Other _____
402210	Elongated toilet, 10" (25.4 cm) rough-in	404515	404210	<input type="checkbox"/> 0	<input type="checkbox"/> Other _____
402215	Elongated toilet, 12" (30.5 cm) rough-in	404515	403215	<input type="checkbox"/> 0	<input type="checkbox"/> Other _____

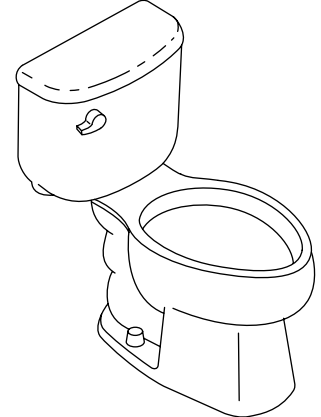
## LOW-CONSUMPTION TOILET

# 402015

## ALSO 402210, 402215



Model 402015



Model 402215, 402210

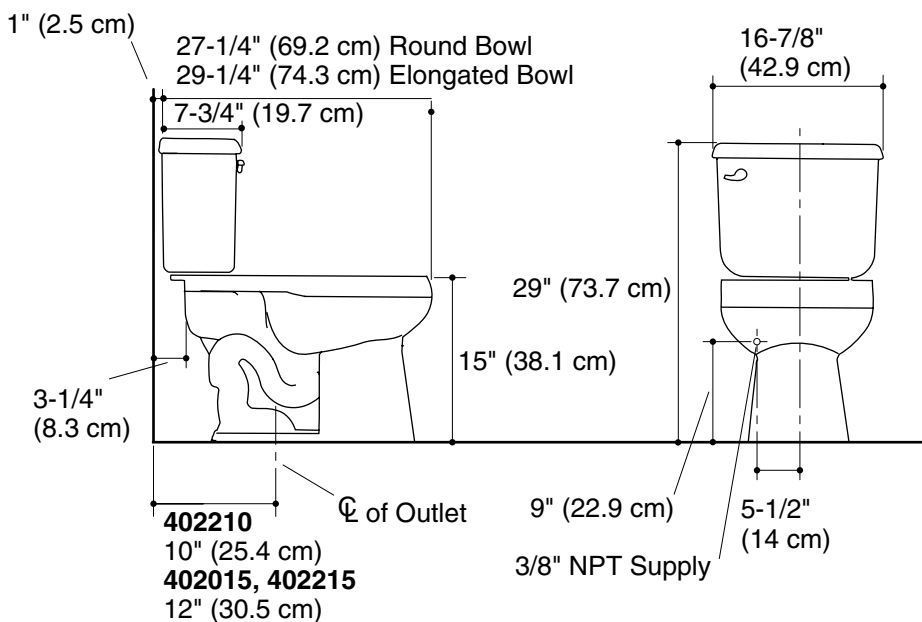
## Colors/Finishes

- 0: White
- Other: Refer to Price Book for additional colors/finishes

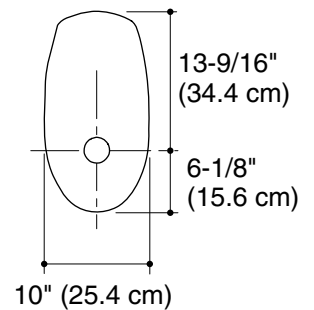
## Technical Information

Fixture:	
Configuration	two-piece
Water per full flush	1.6 gal (6 L)
Passageway	2" (5.1 cm)
Water area	8" (20.3 cm) x 9" (22.9 cm)
Seat post hole centers	5-1/2" (14 cm)

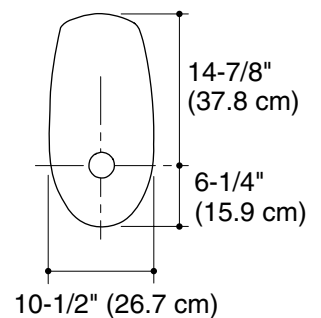
Included components:	
Tank cover	84537
Trip lever	84625
Bolt cap accessory pack	1013092



Front of Round Bowl



Front of Elongated Bowl



## Product Diagram