

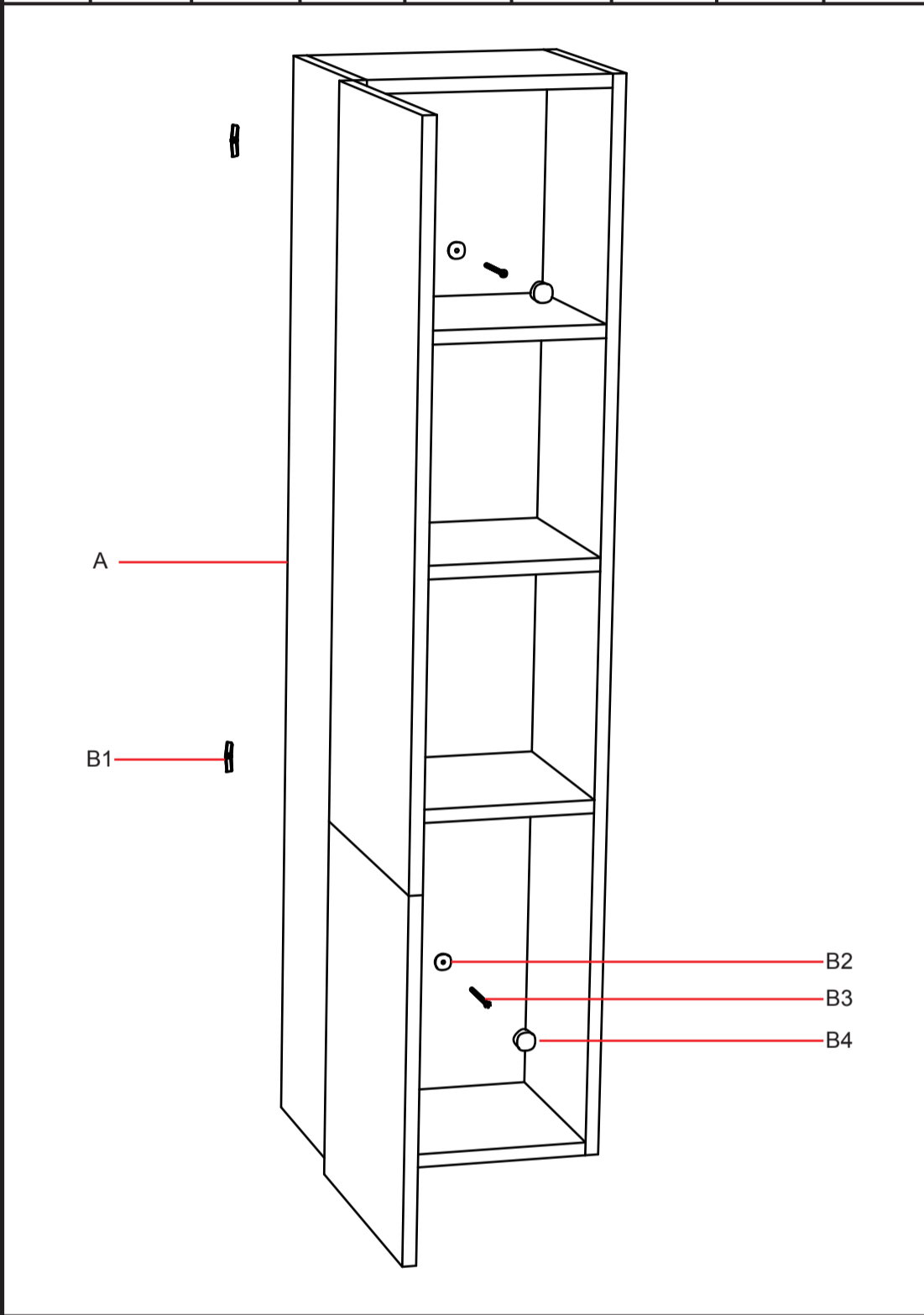
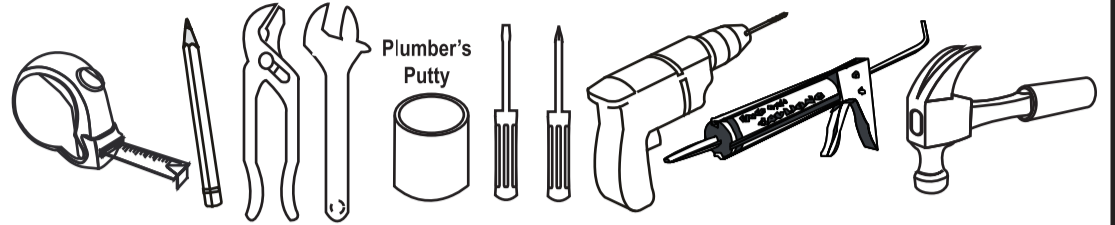
Model>Modelo:

EC8063

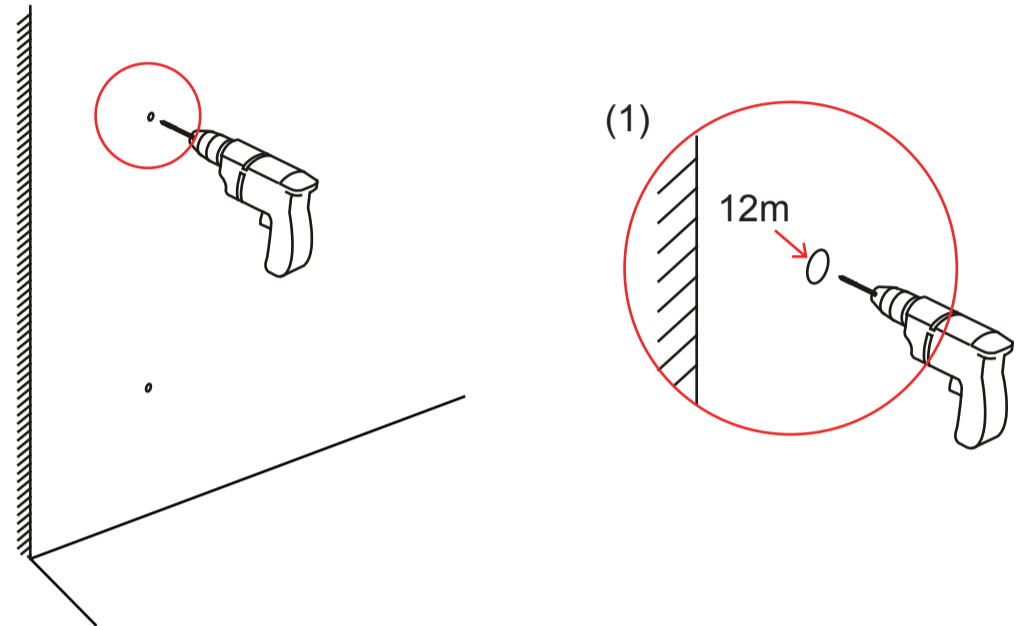
Parts List:

No	A (1PC)	B1 (2PC)	B2 (2PC)	B3 (2PC)	B4 (2PC)	C (2PC)
Photo						

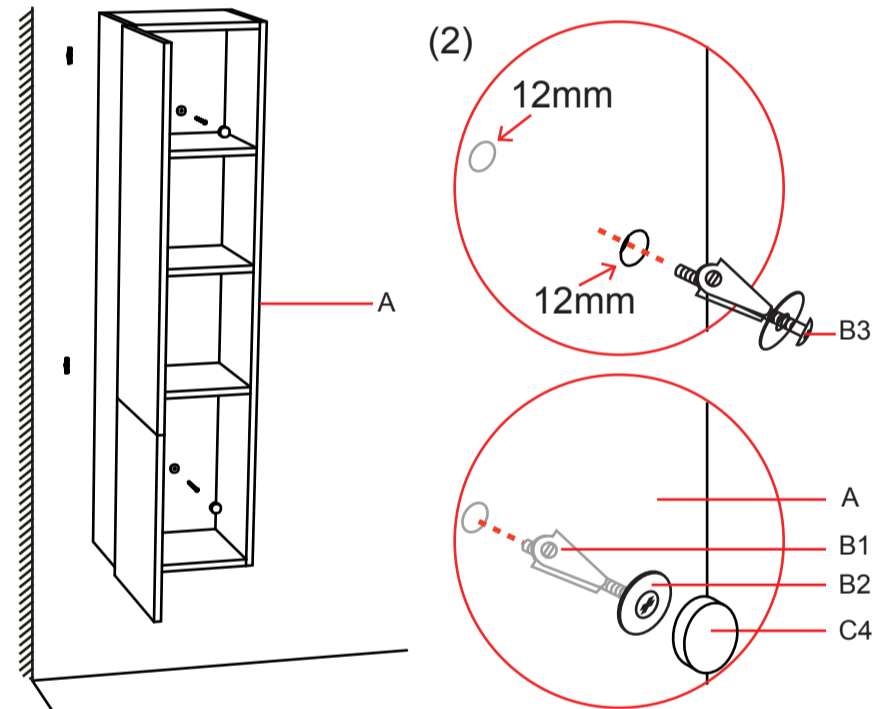
Tools Not Included/Herramientas No Incluidas



2. (1).Larger the holes to $\varnothing 12\text{mm}$

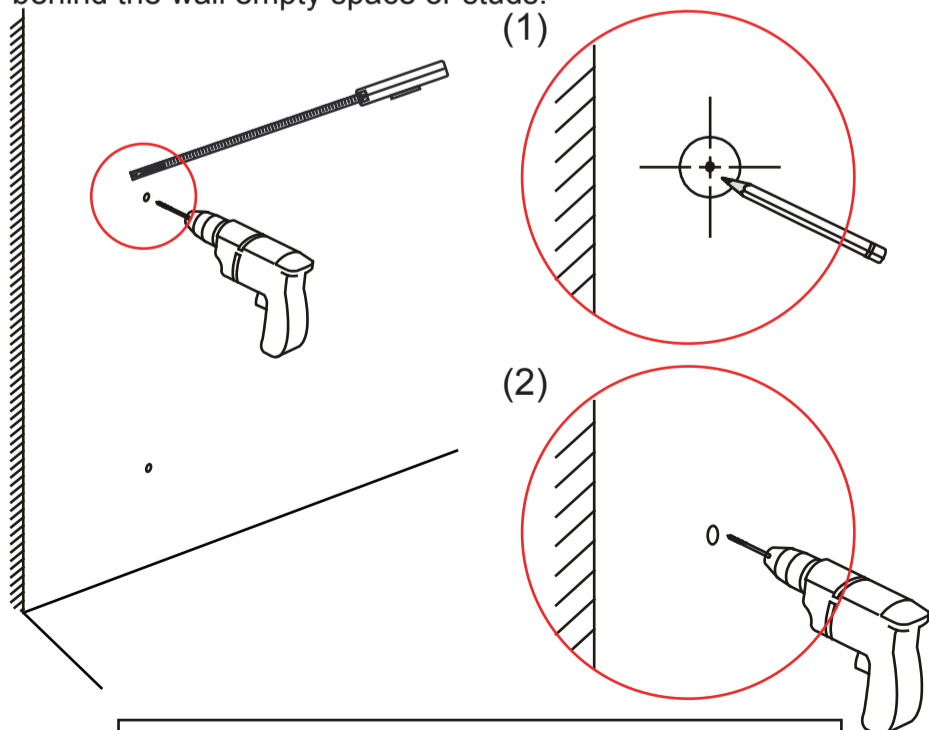


(2).Separate screw B1,B2,B3, install B3 through the Vanity .



(3). Put the decoration cap (B4) on B2.

1. Measure the distance between two holes on upper back board, then fix down the place you want to hang the vanity,make note by pencil where to open the holes .
Use a small drill ($\varnothing 3\text{mm}$ or smaller) to open the holes to check what is behind the wall empty space or studs.



If empty space behind the wall,install as step 2.
If studs behind the wall,install as step 3.

3. Use the screw(C) directly on the studs as shown picture below.

