

# norpole

## 2 Reach-In Glass Door Refrigerator (Swing Door) ♦ NPGR2-S45B



### Standard Feature

- ♦ Bottom Mounted Compressor
- ♦ Functional Accessory / Control Shelves
- ♦ Removable Door Gasket
- ♦ Insulating Anti-Fog Glass Door
- ♦ Accurate Temperature Control
- ♦ Interior LED lighting
- ♦ Heavy-duty caster wheels

### Technical Specifications

Product Classification	Refrigerator
Climate Class	N
Number of Doors / Lids	2
External Cabinet Material	Coated Steel
Internal Cabinet Material	Aluminum Liner with Steel Floor
Type of Refrigeration Agent	R-290
Type of Temperature Control	Digital
Temperature Range °C	0°C to 5°C
Temperature Range °F	32°F to 41°F
Voltage / Frequency	115V / 60Hz
Amp	4.5
Compressor HP	3/4 HP
Type of Insulation	3.0-Inch Polyurethane Foam
Door Handle	Partial

### Certified Safety Standard

- ♦ ETL Listed
- ♦ ETL Sanitation Listed



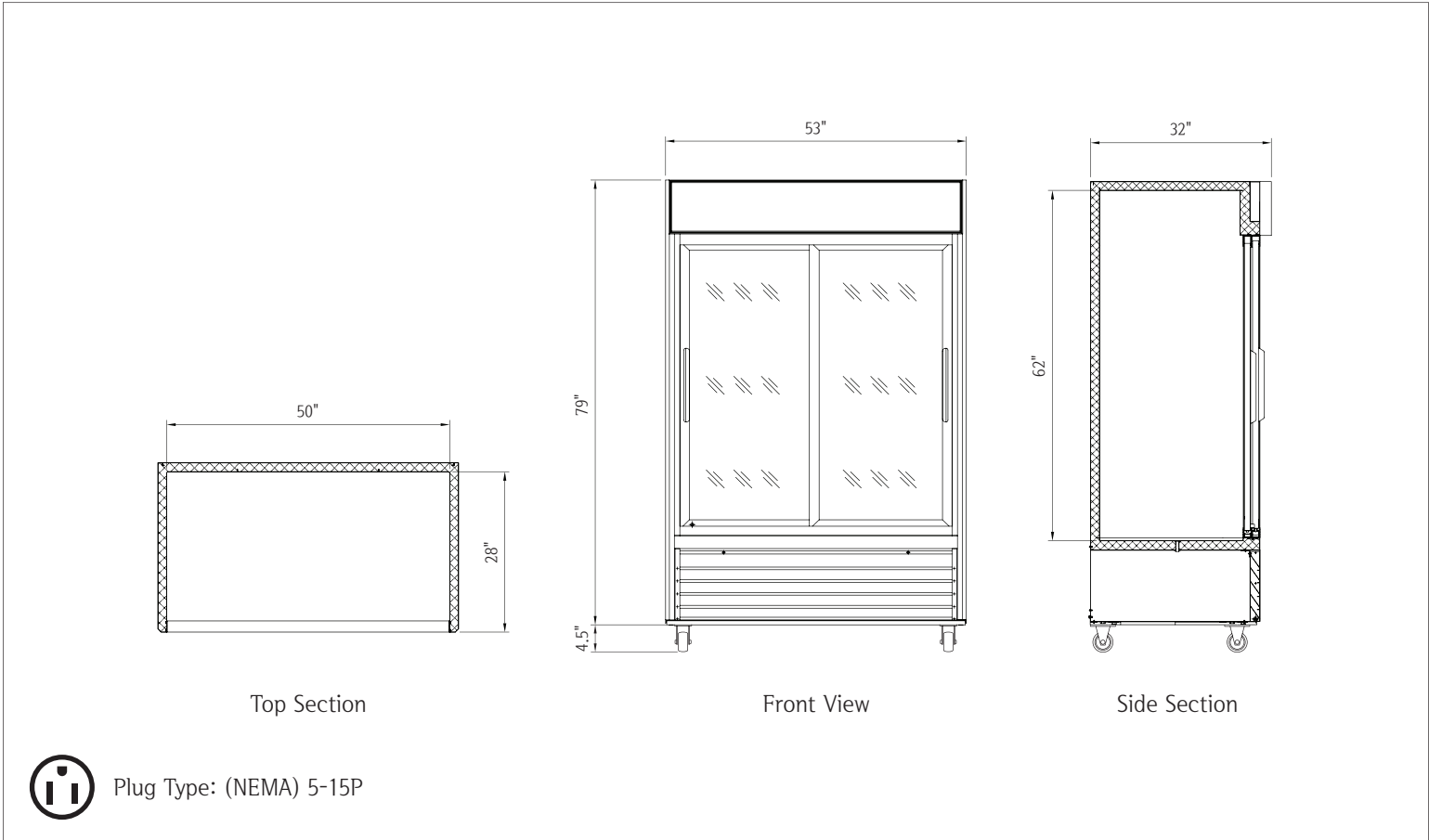
### Warranty Information

- ♦ 5 Years Compressor
- ♦ 3 Year Parts & Labor





## 2 Reach-In Glass Door Refrigerator (Swing Door) ♦ NPGR2-S45B



Capacity	
Capacity	45 cu. ft.

Dimensions	
Internal Cabinet Width	50 in
Internal Cabinet Depth	28 in
Internal Cabinet Height	62 in
External Width	53 in
External Depth	32 in
External Height	83.5 in
Shipping Dimensions (W x D x H)	56 x 33 x 84 in

Weight	
Net Weight	441 lbs.
Gross Weight	485 lbs.

Accessories	
Adjustable Shelves	8
Fixed Shelves	No
Internal Light	Yes
Internal Light Switch	No
External Light Switch	Yes
Self Closing Door/Lid	Yes
Adjustable Thermostat	Yes