

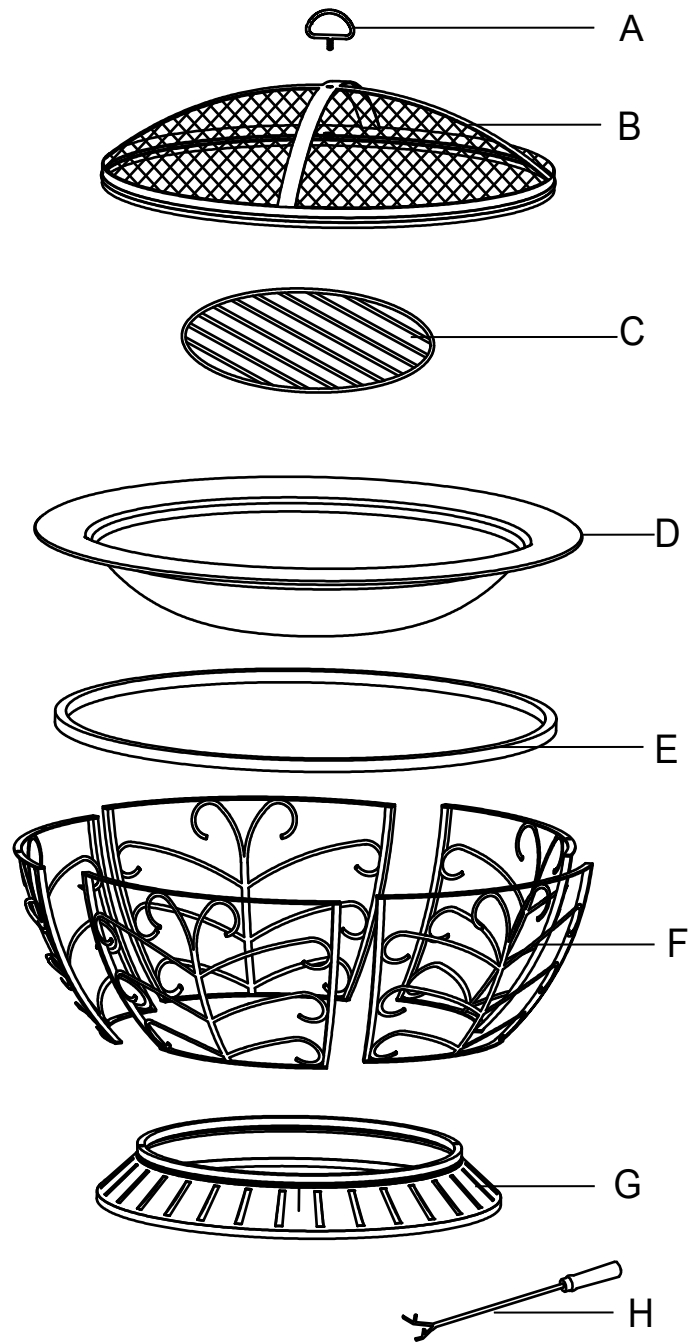
Assemble Instructions

CAREFULLY READ AND FOLLOW ALL SAFETY WARNINGS AND INSTRUCTIONS IN THIS MANUAL BEFORE ASSEMBLING AND OPERATING THE FIRE PIT TO AVOID PERSONAL INJURY OR PROPERTY DAMAGE! KEEP THIS MANUAL FOR FUTURE REFERENCE.

- Failure to follow these instructions could result in serious bodily injury and/or property loss.
- FOR OUTDOOR USE ONLY. DO NOT use this fire pit indoors or in any enclosed areas.
- At all times, keep the fire pit in a well-ventilated area.
- The fire pit should NEVER be used in a fully or partially enclosed area such as a garage, breezeway, porch, or under any area that could catch fire.
- Proper clearance of at least 10 feet between the fire pit and any combustible materials (bushes, landscape materials, trees, wooden decks, fences, buildings, etc.) should be maintained at all times when the fire pit is in use.
- DO NOT use in windy conditions.
- Always place the fire pit on a flat and level surface. DO NOT place the fire pit on a wood deck or other combustible deck.
- The fire pit should NEVER be left unattended while in use.
- Extreme caution and care is necessary when handling fire and operating the fire pit.
- NEVER use gasoline, kerosene, alcohol or any other highly flammable liquid for lighting and never add these liquids while the fire pit is in use.
- NEVER use the fire pit unless the fire pit is completely assembled and all parts are securely fastened and tightened.
- This fire pit is intended to burn wood logs only, not to exceed 12 inches in length and 2 inches in diameter. DO NOT burn coal, leaves, or other combustible materials in the fire bowl.
- NEVER touch parts of the fire pit until it has completely cooled to avoid injuries.
- DO NOT move the fire pit when it is in use or when it is hot.
- NEVER wear loose clothing around the fire pit when it is in operation or while hot.
- NEVER remove ashes while the fire pit is in use or while cooling.
- NEVER dismantle the fire pit while in use or hot.
- When the fire pit is in use, the handle on the mesh screen/cover [Part #A/B] can reach extreme temperatures that can cause serious injury to an unprotected hand. Use the poker [Part #H] to remove the mesh screen when in use and wear appropriate heat resistant gloves when removing the mesh screen with the poker.
- When the mesh screen/cover [Part #A/B] is removed, place it on a level and non-combustible surface at least 10 feet away from any other combustible materials.
- At all times, use appropriate heat resistant gloves when adding proper wood logs to the fire.
- DO NOT use the fire pit or any portion of it, including the grate [Part #C] or the fire bowl [Part #D] as a cooking appliance. The fire pit is not designed for grilling food.
- When the fire pit is not in use, make sure that the fire and any coals are completely and thoroughly extinguished.
- Check state and local fire regulations and municipal laws for safe use.
- It is recommended to keep a fire extinguisher within reach.

PARTS LIST:

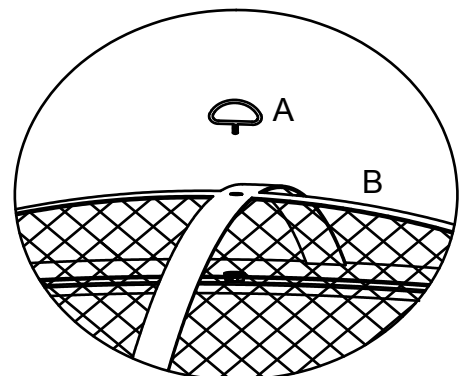
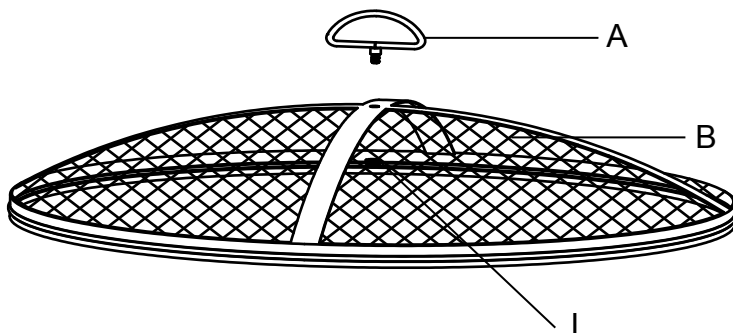
PART #	DESCRIPTION	QTY.
A	Lift handle	1
B	Mesh Screen	1
C	Fire Grate	1
D	Fire Bowl	1
E	Top Ring	1
F	Decorative Side	5
G	Base	1
H	Fire Poker	1
I	M6 Nut	1
J	M6X10 Bolt	20



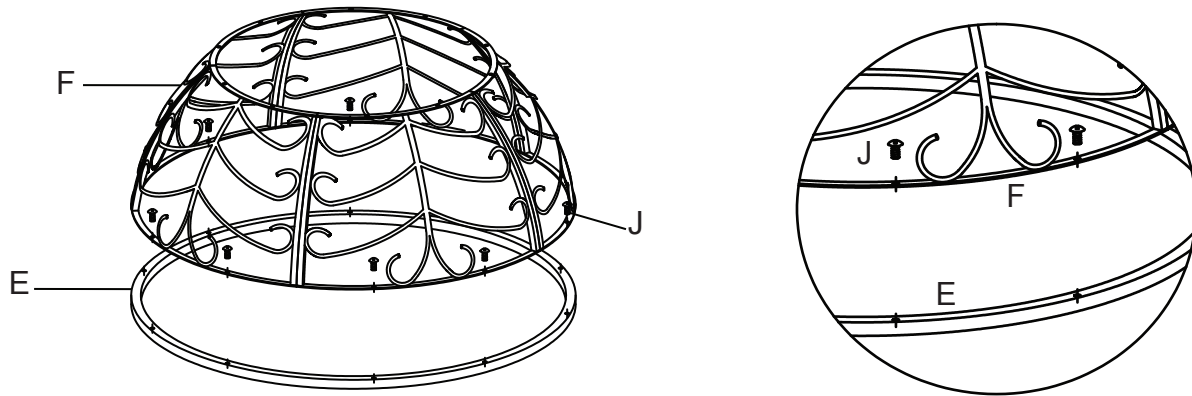
Tools required: screwdriver (not included)

ASSEMBLY INSTRUCTIONS:

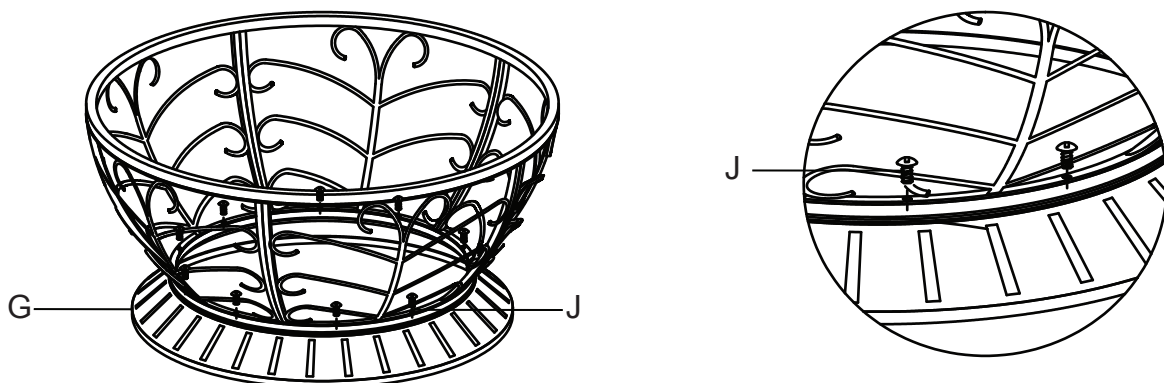
Step 1: Attached the lift handle (A) to the mesh screen (B), using the M6 nut (I) and tighten.



Step 2: Attach a decorative side (F) to the top ring (E) with two M6X10 bolts (J), but do not fully tighten. Repeat with the other four decorative sides (F).



Step 3: Connect the assembled stand (F+E) to the Base (G) with ten M6X10 bolts (J). Tighten all M6x10 Bolts now from Step 2 and Step 3.



Step 4: Place the fire bowl (D) on the assembled stand (F+E+G) and insert the fire grate (C) into the bottom of the fire bowl (D). Place the assembled mesh screen (A+B) on the fire bowl to complete the fire pit.

