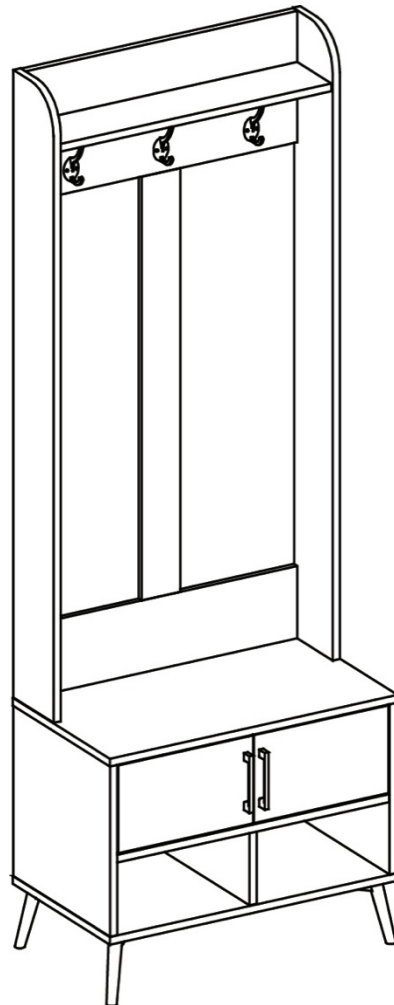




ASSEMBLY INSTRUCTIONS



RiverRidge® Woodbury Hall Tree w/ Bench

ITEM #: 16-029

ADULT ASSEMBLY REQUIRED

This product requires assembly by an adult because of small parts. Care should be taken in unpacking and assembling this item to keep small parts away from children.

WARNING SEE FULL WARNING ON PAGE 2

Young children can be seriously injured or killed if furniture tips over. Don't use this item for a TV stand or place heavy objects on top of item. Always use angle-braces or anchors to secure furniture to the wall.

THIS SHELF UNIT WILL HOLD UP TO 20 POUNDS PER SHELF AND CUBBY FOR TOTAL OF 80 POUNDS. BENCH SEATING WEIGHT CAPACITY IS 200 POUNDS. DO NOT LOAD SHELVES OR CUBBIES WITH MORE THAN 20 POUNDS OR SEATING WITH MORE THAN 200 POUNDS. OVERLOADING WITH MORE THAN 20 POUNDS PER SHELF OR 200 POUNDS SEATING MAY CAUSE DAMAGED TO THE SHELF OR SERIOUS INJURY OR DEATH.

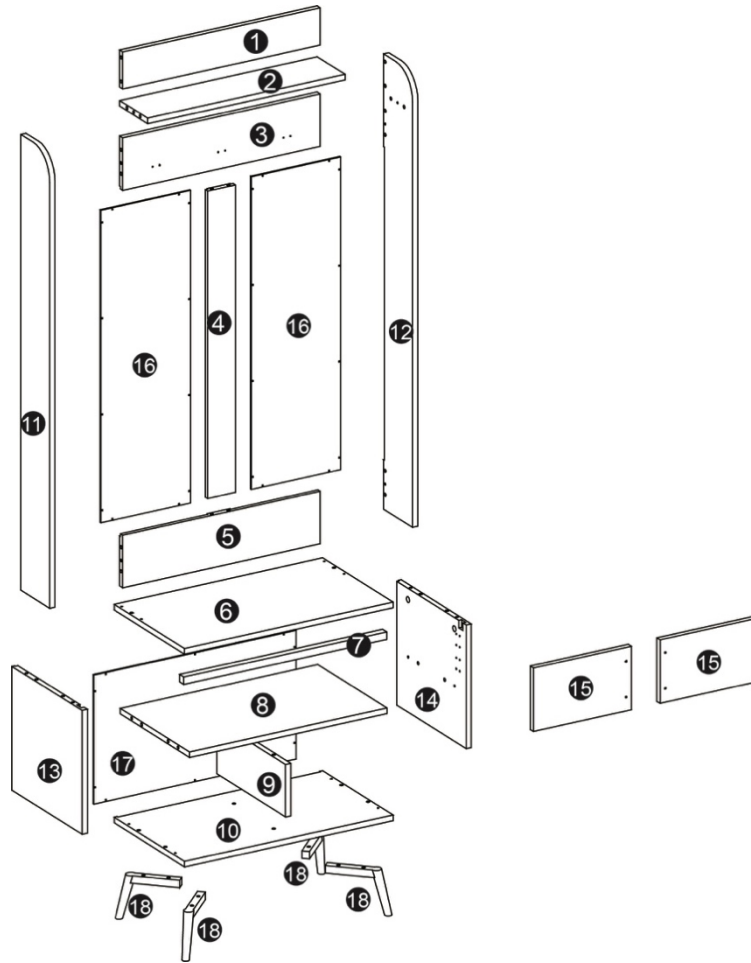


WARNING

SERIOUS OR FATAL INJURIES CAN OCCUR FROM FURNITURE TIP-OVER. TO HELP PREVENT TIP-OVER:

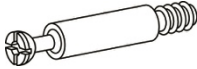





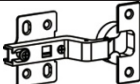

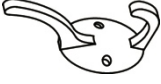







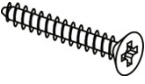
- **Always use tip over restraints and/or wall anchors to secure furniture to the wall**
- **Place heaviest items in the lowest drawers/bins or shelves**
- **Do not set TV's or other heavy objects on the top of this product**
- **Never allow children to climb or hang on to the drawers/bins, doors or shelves of furniture**
- **Never open more than one drawer at a time or defeat or remove any drawer interlock system**

PARTS LIST



NO	QTY	DESCRIPTION
1	IPC	Upper Rear Board
2	IPC	Upper Shelf
3	IPC	Middle Rear Board
4	IPC	Vertical Support Board
5	IPC	Lower Rear Board
6	IPC	Top Board
7	IPC	Cross Bar
8	IPC	Shelf
9	IPC	Divider Board
10	IPC	Bottom Board
11	IPC	Upper Left Side Panel
12	IPC	Upper Right Side Panel
13	IPC	Lower Left Side Panel
14	IPC	Lower Right Side Panel
15	2PCS	Door
16	2PCS	Upper Back Board
17	IPC	Lower Back Board
18	4PCS	Metal Leg

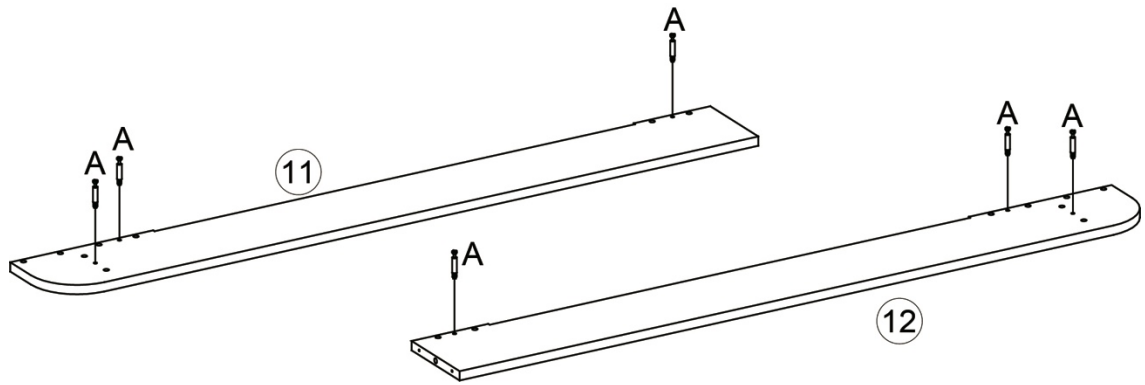
PARTS LIST

NO	PART	QTY	DESCRIPTION
A		14PCS	Cam Bolt
B		14PCS	Cam Lock
C		38PCS	Wood Dowel (8x30mm)
D		8PCS	Screw (4x35mm)
E		8PCS	Machine Screw (6x30mm)
F		8PCS	Shim
G		4PCS	Hinge
H		24PCS	Screw (4x14mm)
I		3PCS	Metal Hook (4x14mm)
J		7PCS	Screw (3x12mm)
K		34PCS	Screw (2.5x10mm)
L		1PC	Plastic Anchor
M		2PCS	Handle
N		4PCS	Machine Screw (4x18mm)
O		2PCS	Bracket
P		1PC	Plastic Lock Strap
Q		1PC	Screw (4x30mm)

**TOOLS NEEDED FOR ASSEMBLY: FLAT & PHILLIPS SCREWDRIVER (NOT INCLUDED)
THE USE OF POWER SCREWDRIVER IS NOT RECOMMENDED FOR ASSEMBLY
TOOL NEEDED FOR SECURING TO WALL: POWER DRILL (NOT INCLUDED)**

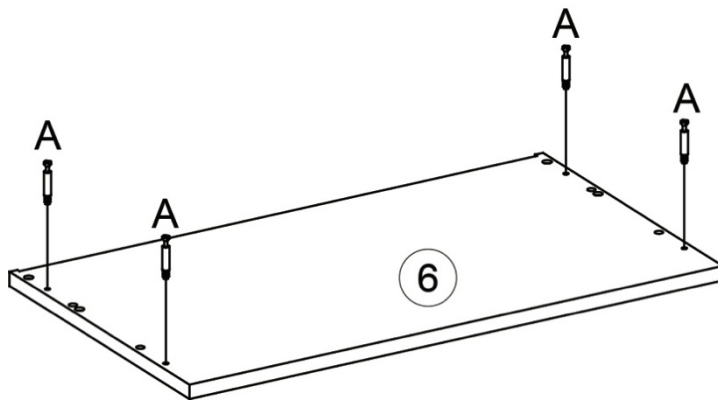
To order replacement parts at no cost to you, email customer.service@ssi-rr.com,
call 1-(844)-223-5201 or order parts online at www.riverridgehome.com

STEP 1



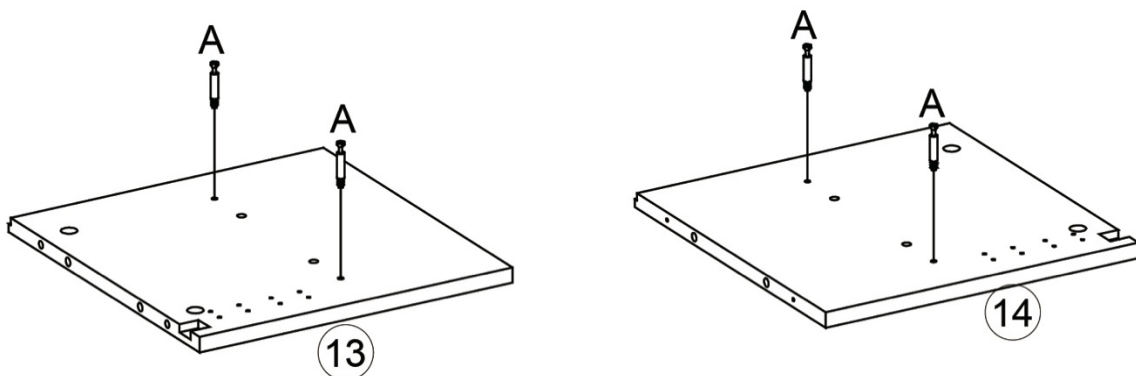
1. Screw 3 cam bolts (A) into pre-threaded holes on upper left side panel (11).
2. Screw 3 cam bolts (A) into pre-threaded holes on upper right side panel (12).

STEP 2



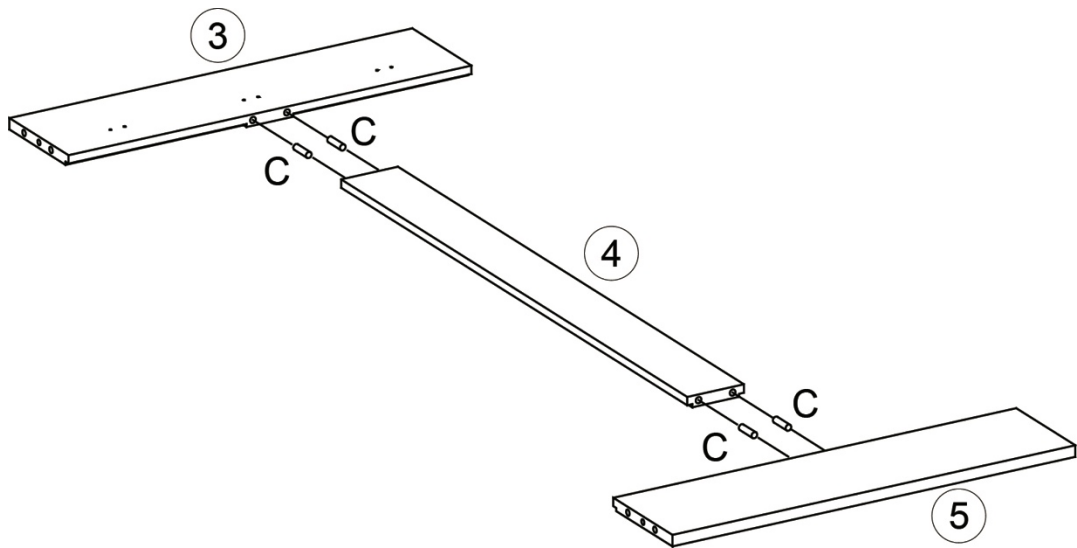
1. Screw 4 cam bolts (A) into pre-threaded holes on top board (6).

STEP 3



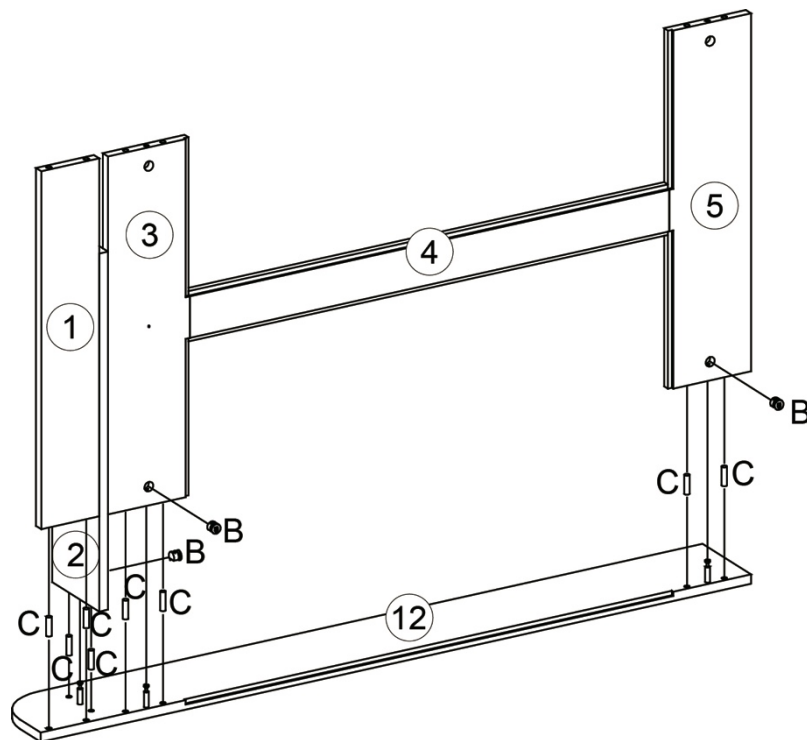
1. Screw 4 cam bolts (A) into pre-threaded holes on lower left side panel (13) and lower right side panel (14).

STEP 4



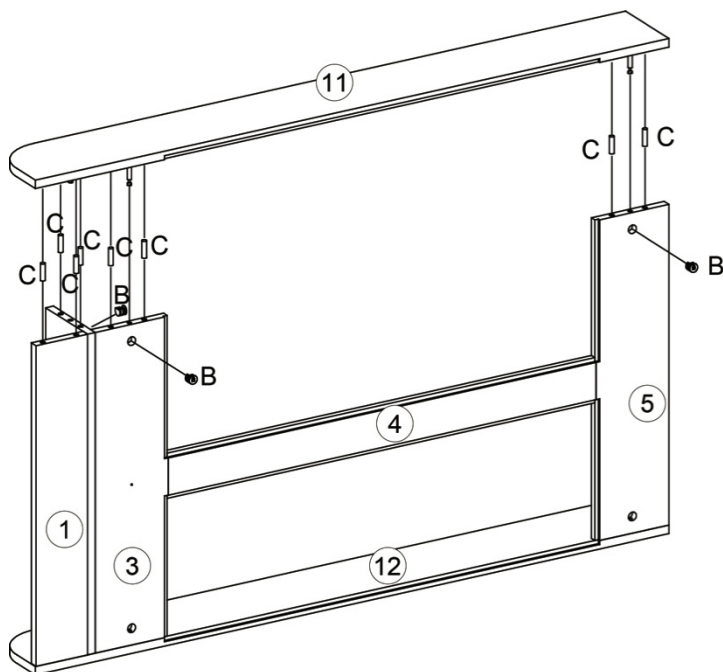
1. Insert 4 wood dowels (C) into wood dowel holes on vertical support board (4).
2. Attach middle rear board (3) and lower rear board (5) to vertical support board (4) by inserting wood dowels (C) into wood dowel holes on middle rear board (3) and lower rear board (5).

STEP 5



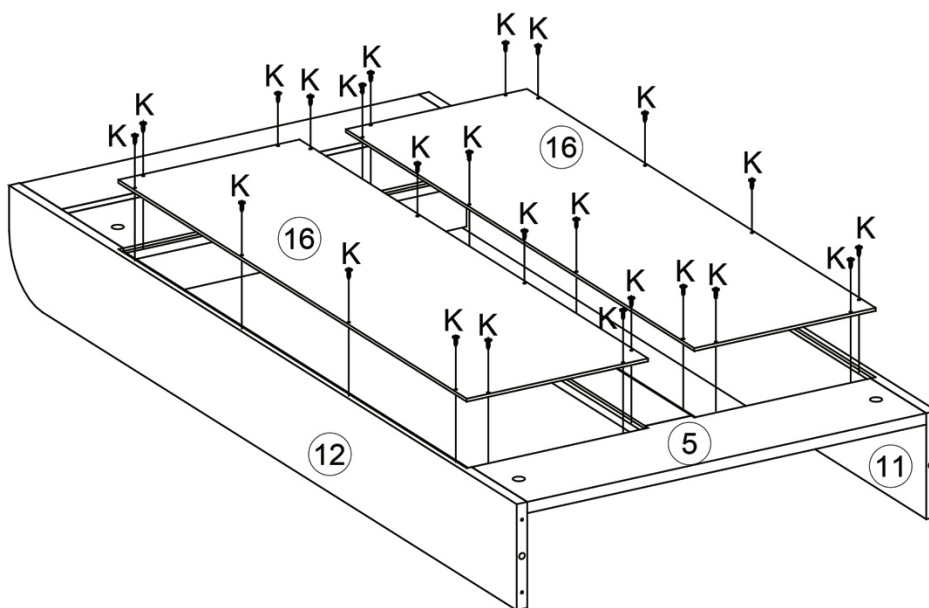
1. Insert 8 wood dowels (C) into wood dowel holes on upper right side panel (12).
2. Attach middle rear board (3) and lower rear board (5) to upper right side panel (12) by inserting wood dowels (C) into wood dowel holes and inserting cam bolts (A) into cam lock holes on middle rear board (3) and lower rear board (5).
3. Insert 2 cam locks (B) into cam lock holes on middle rear board (3) and lower rear board (5), then rotate clockwise to secure cam bolts (A) in place.
4. Attach upper shelf (2) to upper right side panel (12) by inserting wood dowels (C) into wood dowel holes and inserting cam bolt (A) into cam lock hole on upper shelf (2).
5. Insert 1 cam lock (B) into cam lock hole on upper shelf (2), then rotate clockwise to secure cam bolt (A) in place.
6. Attach upper rear board (1) to upper right side panel (12) by inserting wood dowels (C) into wood dowel holes on upper rear board (1).

STEP 6



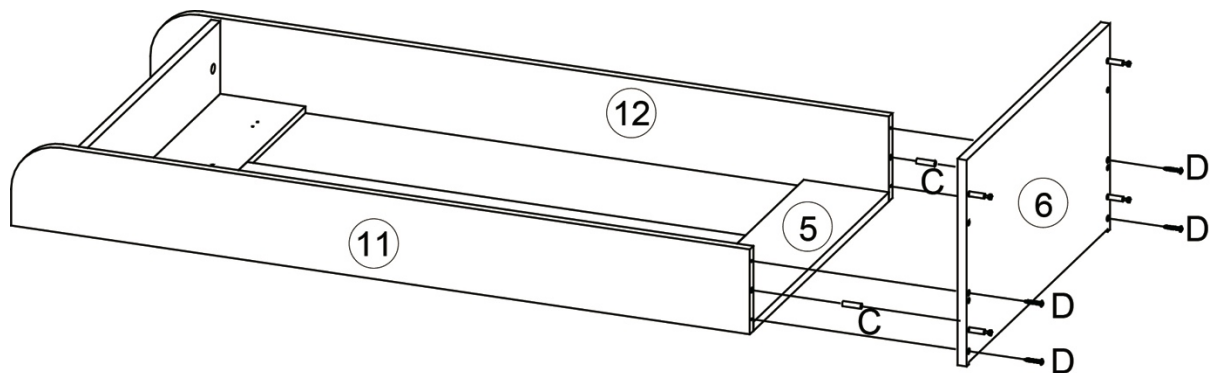
1. Insert 8 wood dowels (C) into wood dowel holes on upper left side panel (11).
2. Attach upper left side panel (11) to upper rear board (1), upper shelf (2), middle rear board (3) and lower rear board (5) by inserting wood dowels (C) into wood dowel holes and insert cam bolts (A) into cam lock holes on upper rear board (1), upper shelf (2), middle rear board (3) and lower rear board (5).
3. Insert 3 cam locks (B) into cam lock holes on upper shelf (2), middle rear board (3) and lower rear board (5), then rotate clockwise to secure cam bolts (A) in place.

STEP 7



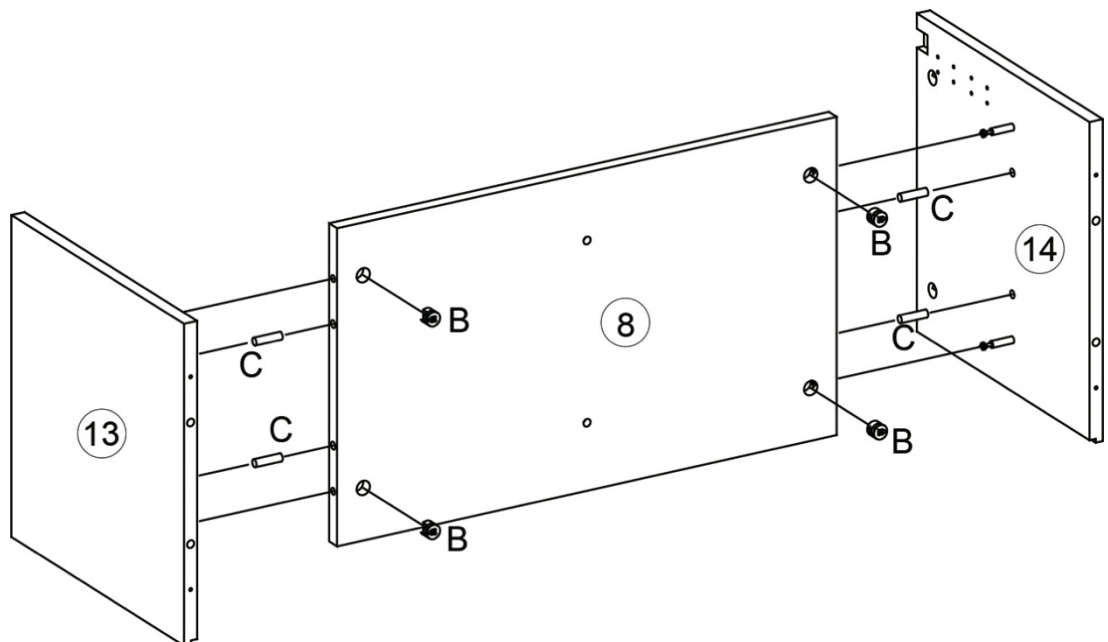
1. Attach 2 upper back boards (16) to pre-assembled unit by inserting 24 screws (K) through holes on 2 upper back boards (16), then tighten to back of unit.

STEP 8



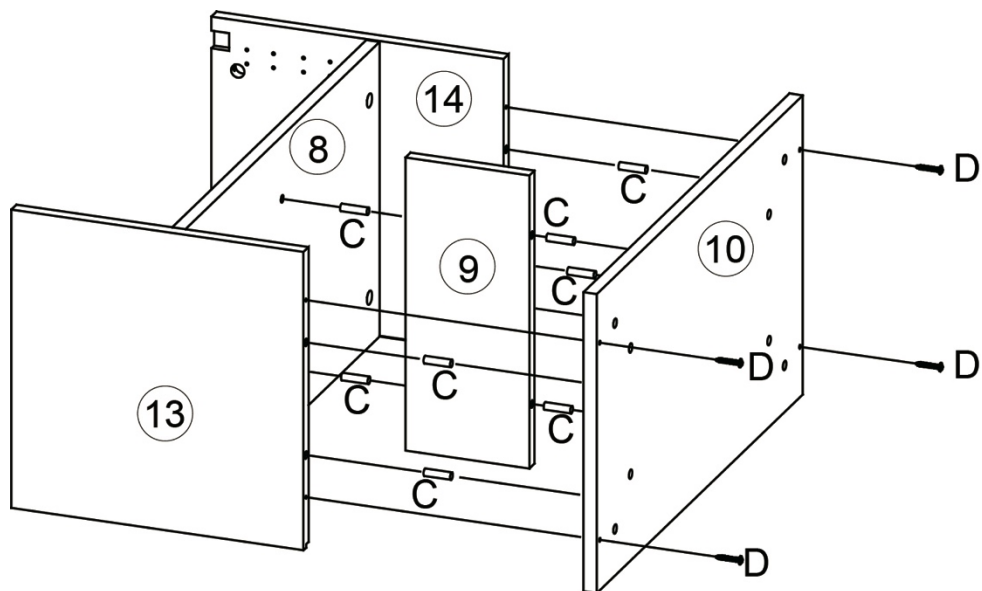
1. Insert 2 wood dowels (C) into wood dowel holes on top board (6).
2. Attach bottom board (6) to upper left side panel (11) and upper right side panel (12) by inserting wood dowels (C) into wood dowel holes on upper left side panel (11) and upper right side panel (12).
3. Insert 4 screws (D) through holes on top board (6), then tighten to upper left side panel (11) and upper right side panel (12).

STEP 9



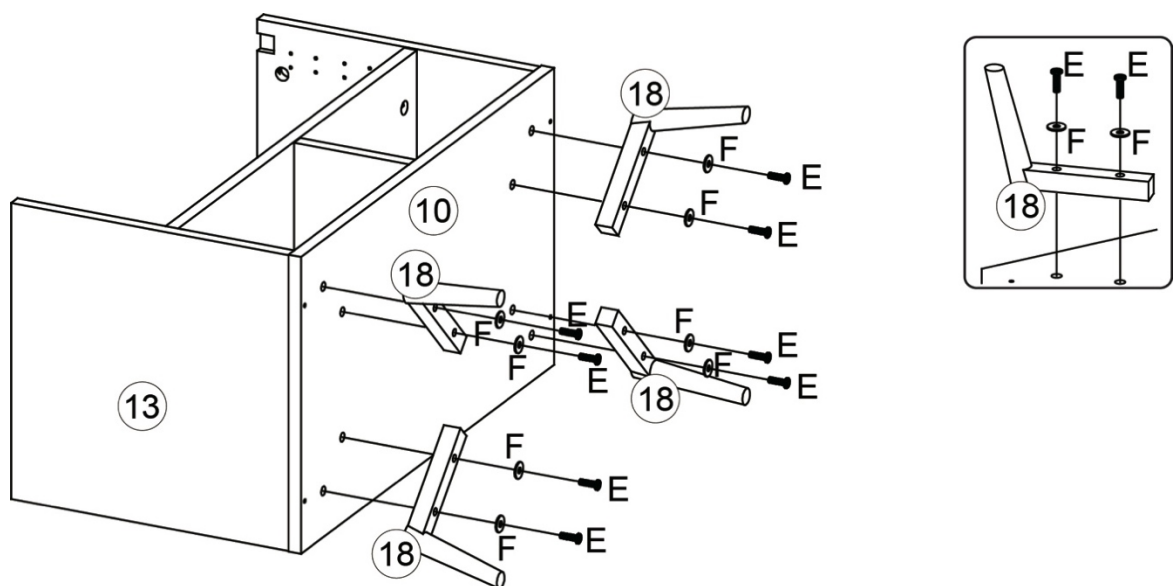
1. Insert 4 wood dowels (C) into wood dowel holes on lower left side panel (13) and lower right side panel (14).
2. Attach lower left side panel (13) and lower right side panel (14) to shelf (8) by inserting wood dowels (C) into wood dowel holes and inserting cam bolts (A) into cam lock holes on shelf (8).
3. Insert 4 cam locks (B) into cam lock holes on shelf (8), then rotate clockwise to secure cam bolts (A) in place.

STEP 10



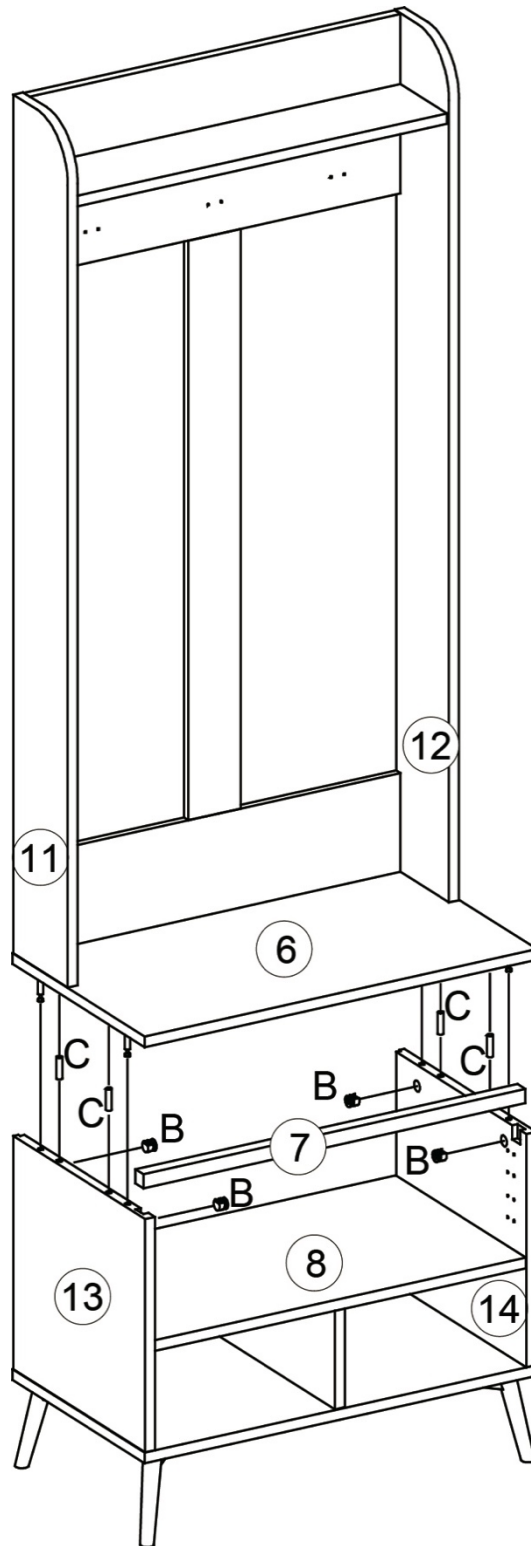
1. Insert 2 wood dowels (C) into wood dowel holes on divider board (9).
2. Attach divider board (9) to shelf (8) by inserting wood dowels (C) into wood dowel holes on shelf (8).
3. Insert 6 wood dowels (C) into wood dowel holes on bottom board (10).
4. Attach bottom board (10) to lower left side panel (13), lower right side panel (14) and divider board (9) by inserting wood dowels (C) into wood dowel holes on lower left side panel (13), lower right side panel (14) and divider board (9).
5. Insert 4 screws (D) through the holes on bottom board (10), then tighten to lower left side panel (13) and lower right side panel (14).

STEP 11



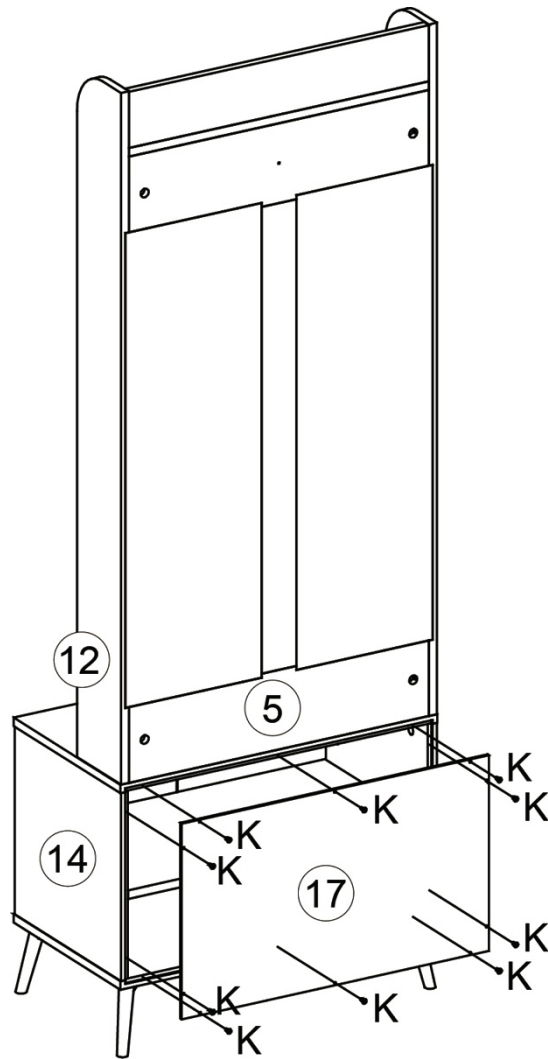
1. Attach 4 metal legs (18) to bottom board (10) by inserting 8 machine screws (E) through holes on shims (F) and holes on metal legs (18), then tighten to bottom board (10).

STEP 12



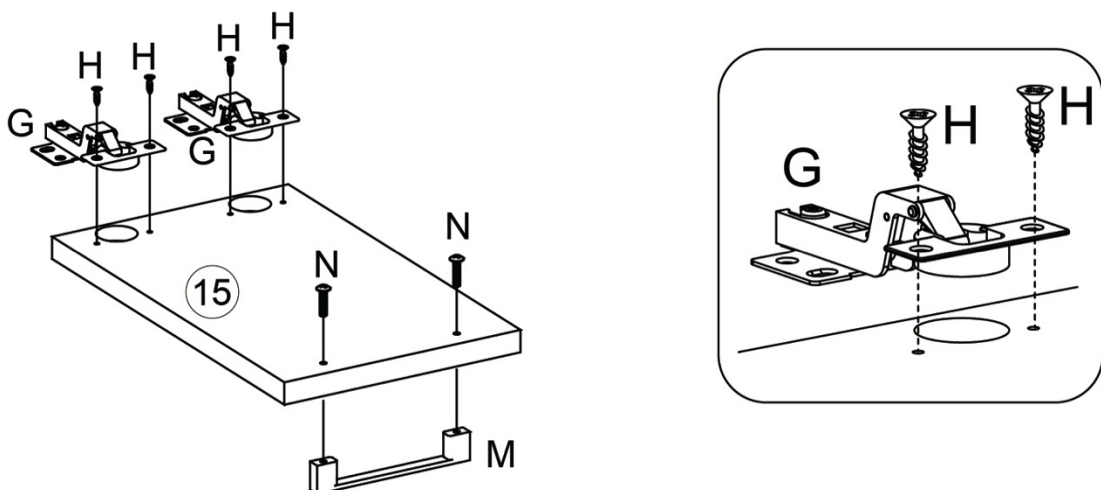
1. Insert 4 wood dowels (C) into wood dowel holes on top board (6).
2. Place cross bar (7) onto grooves on lower left side panel (13) and lower right side panel (14).
3. Attach pre-assembled upper section to pre-assembled lower section by inserting wood dowels (C) into wood dowel holes and inserting cam bolts (A) into cam lock holes on lower left side panel (13) and lower right side panel (14).
4. Insert 4 cam locks (B) into cam lock holes on lower left side panel (13) and lower right side panel (14), then rotate clockwise to secure cam bolts (A) in place.

STEP 13



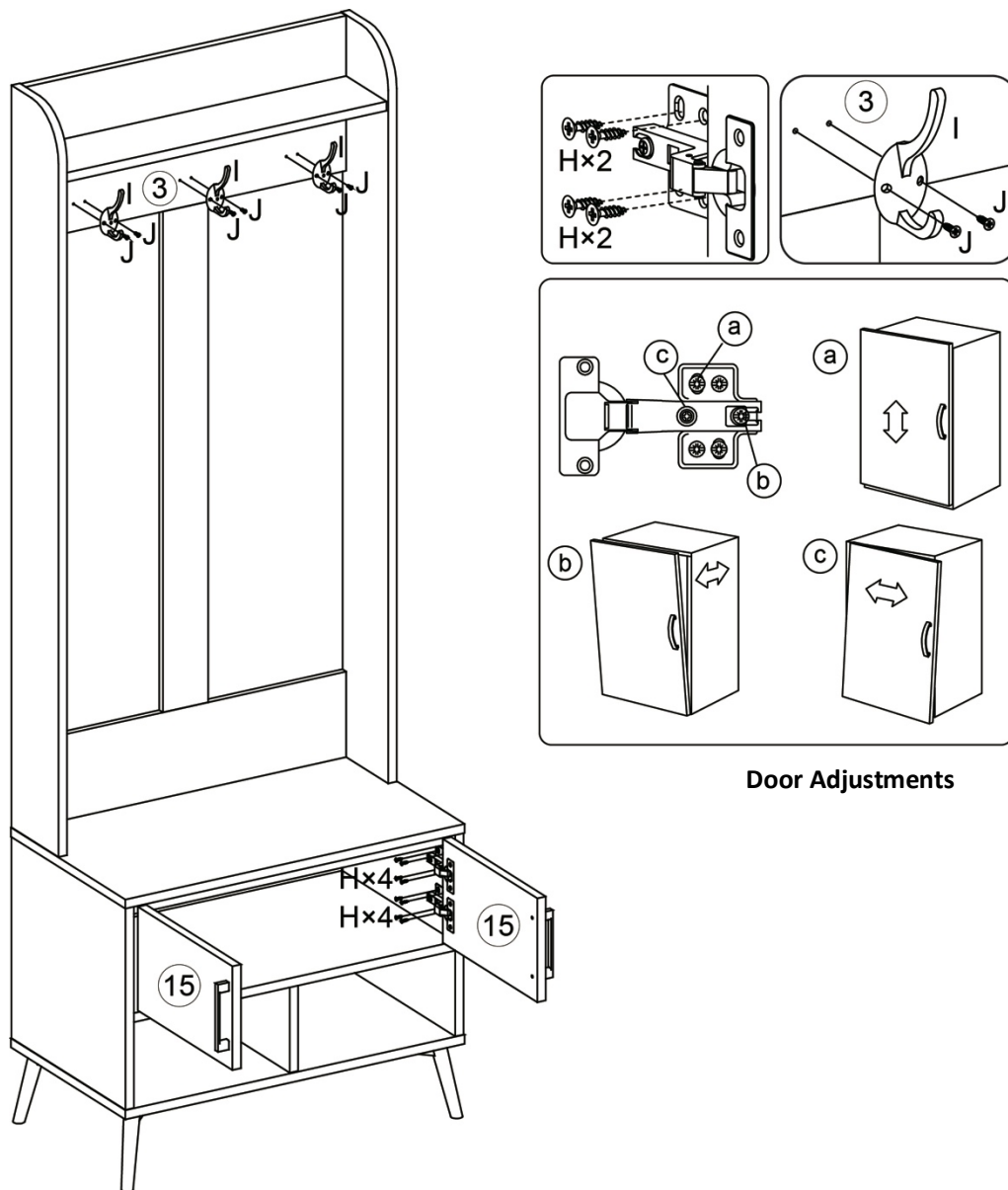
1. Attach lower back board (17) to back of cabinet by inserting 10 screws (K) through holes on lower back board (17), then tighten to back of cabinet.

STEP 14



1. Attach 2 hinges (G) to door (15) by inserting 4 screws (H) through holes on hinges (G), then tighten to door (15).
2. Attach handle (M) to door (15) by inserting 2 screws (N) through holes on door (15), then tighten to handle (M).
3. Repeat above steps for another door (15).

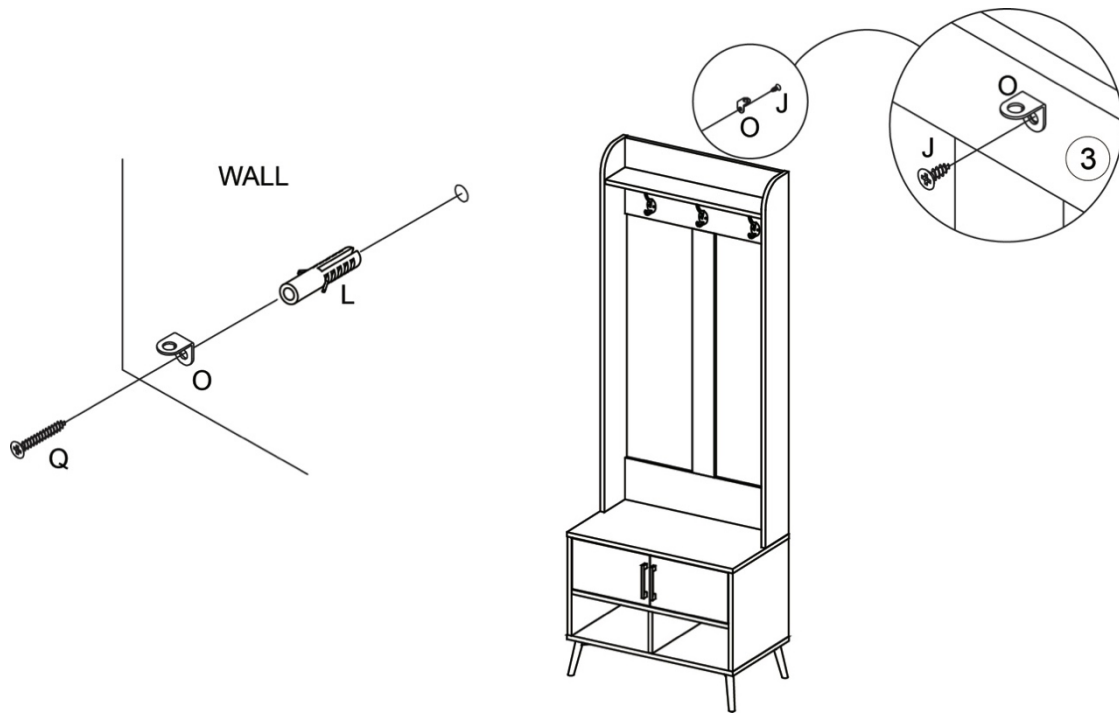
STEP 15



Door Adjustments

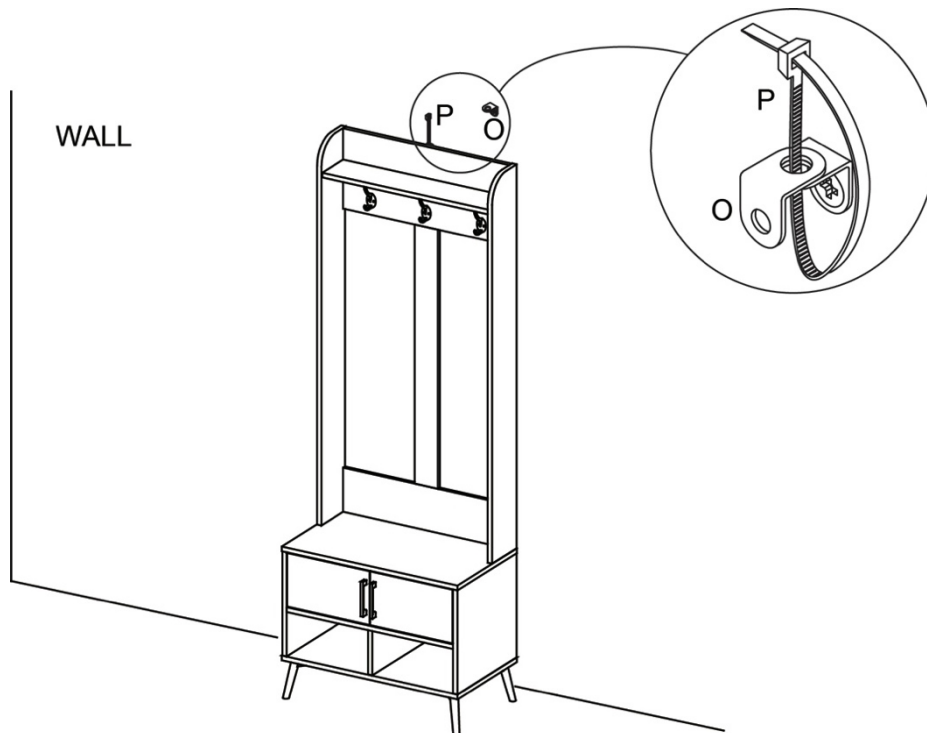
1. Attach 1 door (15) to cabinet by inserting 8 screws (H) through holes on hinges (G), then tighten to lower left side panel (13).
2. Attach 1 door (15) to cabinet by inserting 8 screws (H) through holes on hinges (G), then tighten to lower right side panel (14).
3. Attach 3 metal hooks (I) to middle rear board (3) by inserting 6 screws (J) through holes on metal hooks (I), then tighten to middle rear board (3).
4. Note: Tightening screw in position “a” will adjust door up or down; tightening screw in position “b” will adjust door to or from cabinet and tightening screw in position “c” will adjust door side to side.

STEP 16



1. Place drawing with hole position in desired location and drill holes on wall.
2. Insert 1 plastic anchor (L) into hole on wall.
3. Attach bracket (O) to plastic anchor (L) by inserting 1 screw (Q) through hole on bracket (O), then tighten to plastic anchor (L) in wall.
4. Attach another bracket (O) to back of middle rear board (3) by inserting 1 screw (J) through hole on bracket (O), then tighten to back of middle rear board (3).

STEP 17

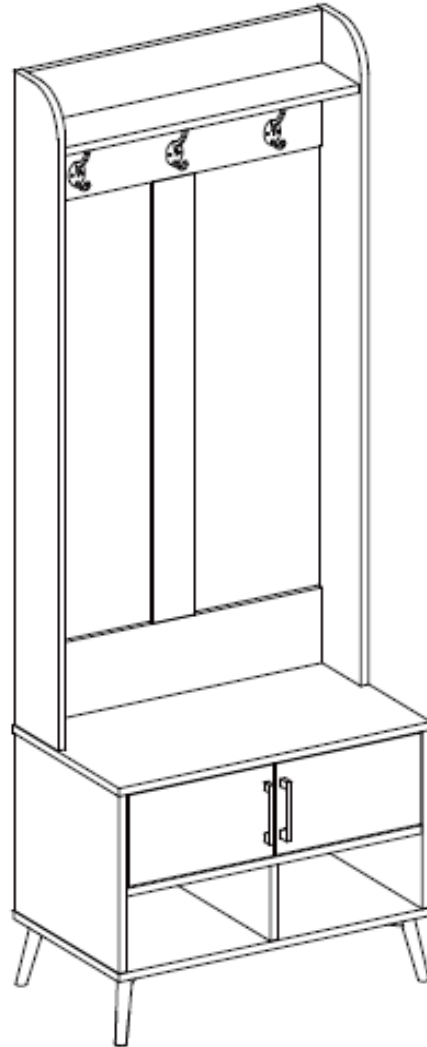


1. Place cabinet against the wall and close to the bracket (O).
2. Insert plastic lock strap (P) through hole on bracket (O) on cabinet, then through hole on bracket (O) on wall and fasten plastic lock strap (P) to fix 2 brackets (O) firmly together.

ATTENTION ADULTS: Cabinet should be checked periodically for damage or loose screws/parts. Take appropriate action necessary to correct hazards such as tightening of screws and taking any damaged parts away from children.

WARNING  **Please make sure your item is secured to the wall, per assembly instructions.**

Enjoy your new RiverRidge® Cabinet!



Thank you for purchasing this RiverRidge® Home item. We hope you enjoy it and consider purchasing other RiverRidge® items.

To order replacement parts at no cost to you, email customer.service@ssi-rr.com, call 1-(844)-223-5201 or order parts online at www.riverridgehome.com



RiverRidge® is a registered trademark of Sourcing Solutions, Inc., Hudson, WI 54016