

BANNER™

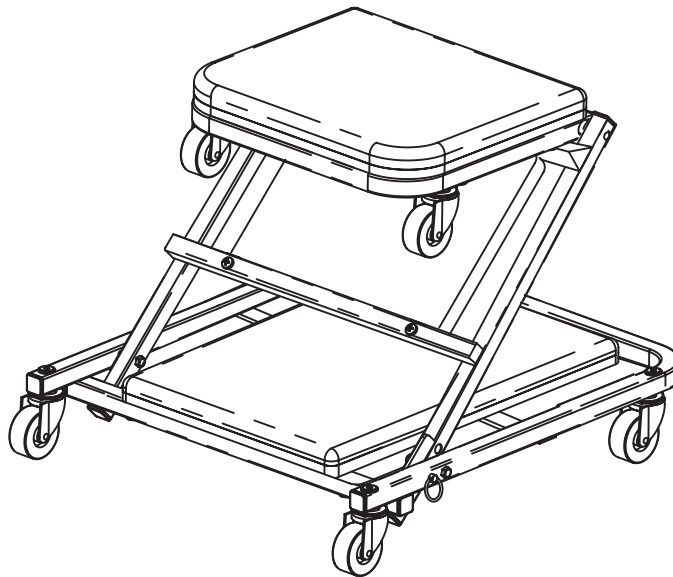
BLACKHAWK AUTOMOTIVE

Operating Instructions & Parts Manual

36" Z Creeper

MODEL
B2036

CAPACITY
300 lbs.



U.S. Patent No.: 6,969,077

⚠ WARNING

To avoid personal injury and property damage:

- Read, understand and follow all printed material provided with and on this device before use.
- Do not exceed rated capacity of 300 lbs.
- Move over smooth, level, seamless surfaces only!
- Sit down gently! Avoid shock loads caused by jumping or falling onto this product.
- Do not stand on this product.
- Keep out of the reach of children! This product is not suitable for children's use.
- Beware of pinch and crush hazards when folding and unfolding.
- Failure to heed these markings may result in personal injury and/or property damage.

SFA Companies
10939 N. Pomona Ave. Kansas City, MO 64153
sales@blackhawk-automotive.com

Read this manual and follow all the Safety Rules and Operating Instructions before using this product.

Printed in China
B2036-M0 rev 02/11

Assembly Instructions:

1. Insert the 6 casters into the frame of assembled creeper body so that caster wheels will contact floor. Use appropriate wrench to fix the head frame casters, and use a hex. key (5mm, not provided) to fasten with the provided nuts for middle and rear frame casters.
2. Refer to Fig. 2 for the assembled creeper.

Reference

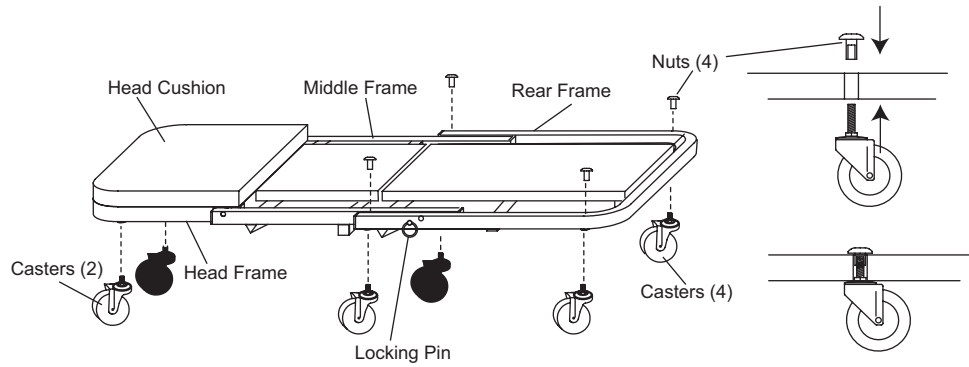


Fig. 1

Reference

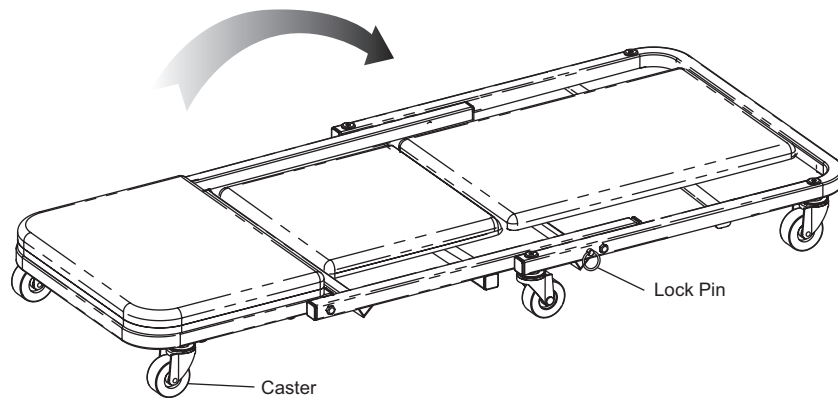


Fig. 2

SPECIFICATIONS

| Model | Weight Capacity | Dimensions (L x W x H) | Contents |
|-------|-----------------|------------------------|-----------------------------------|
| B2036 | 300 lbs | 36" x 16-5/8" x 4-5/8" | 1 Creeper Body, 6 Casters, 4 Nuts |

CAUTION

Folding components can present pinch and crush hazards during use of this product. Exercise caution when performing adjustments and always be alert and sober while assembling and using this equipment.

How to convert the creeper to creeper seat:

1. Refer to Fig. 2, locate and unlock the lock pin by pulling it out until the locking mechanism has been disengaged. Flip the front section of the creeper (head frame) towards the end until the lock pin can engage the creeper seat locking sleeve (see Fig. 3).
2. Flip the head frame section to the other side until horizontal (see Fig. 3).

Reference

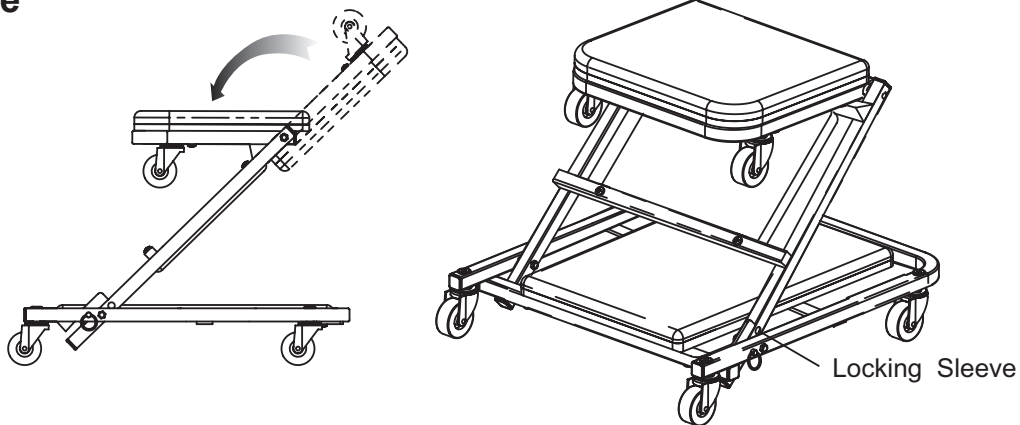


Fig. 3

3. Reverse the steps to convert the creeper seat to creeper.

Note: Sit down gently! Avoid shock loads caused by jumping or falling onto seat. Do not stand on seat. Do not exceed rated capacity.

90 DAYS LIMITED WARRANTY

For a period of ninety (90) days from date of purchase, SFA Companies will repair or replace, at its option, without charge, any of its products which fails due to a defect in material or workmanship under normal usage. This limited warranty is a consumer's exclusive remedy.

Performance of any obligation under this warranty may be obtained by returning the warranted product, freight prepaid, to SFA Companies Warranty Service Department, 10939 N. Pomona Ave., Kansas City, MO 64153.

Except where such limitations and exclusions are specifically prohibited by applicable law,

(1) THE CONSUMER'S SOLE AND EXCLUSIVE REMEDY SHALL BE THE REPAIR OR REPLACEMENT OF DEFECTIVE PRODUCTS AS DESCRIBED ABOVE.

(2) SFA COMPANIES SHALL NOT BE LIABLE FOR ANY CONSEQUENTIAL OR INCIDENTAL DAMAGE OR LOSS WHATSOEVER.

(3) ANY IMPLIED WARRANTIES, INCLUDING WITHOUT LIMITATION THE IMPLIED WARRANTIES OF MERCHANTABILITY AND FITNESS FOR A PARTICULAR PURPOSE, SHALL BE LIMITED TO NINETY DAYS, OTHERWISE THE REPAIR, REPLACEMENT OR REFUND AS PROVIDED UNDER THIS EXPRESS LIMITED WARRANTY IS THE EXCLUSIVE REMEDY OF THE CONSUMER, AND IS PROVIDED IN LIEU OF ALL OTHER WARRANTIES, EXPRESS OR IMPLIED.

(4) ANY MODIFICATION, ALTERATION, ABUSE, UNAUTHORIZED SERVICE OR ORNAMENTAL DESIGN VOIDS THIS WARRANTY AND IS NOT COVERED BY THIS WARRANTY.

Some states do not allow limitations on how long an implied warranty lasts, so the above limitation may not apply to you. Some states do not allow the exclusion or limitation of incidental or consequential damages, so the above limitation or exclusion may not apply to you. This warranty gives you specific legal rights, and you may also have other rights, which vary from state to state.



SFA Companies
10939 N. Pomona Ave. Kansas City, MO 64153
816-891-6390
sales@blackhawk-automotive.com