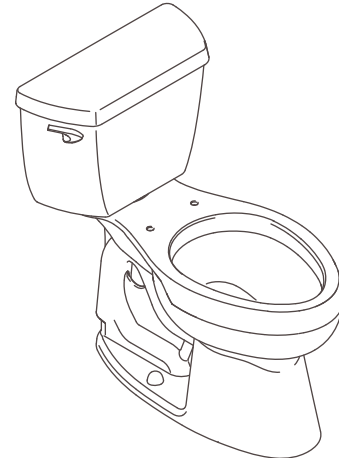


Features

- Vitreous china
- Elongated bowl
- Comfort Height®
- Class Five® flushing system
- Less supply
- 12" (305 mm) rough-in
- 1.28 gpf (4.8 lpf)
- 2-1/8" (54 mm) glazed trapway
- Includes polished chrome trip lever
- 11-3/8" (289 mm) x 8" (203 mm) water area
- 29-1/2" (749 mm) x 19-5/8" (498 mm) x 30-3/8" (772 mm)

ADA | CSA B651 | OBC



Codes/Standards Applicable

Specified model meets or exceeds the following:

- ADA
- ICC/ANSI A117.1
- ASME A112.19.2/CSA B45.1
- EPA WaterSense®
- OBC
- CSA B651

Colors/Finishes

- 0: White
- Other: Refer to Price Book for additional colors/finishes

Accessories

- 0: White
- CP: Polished Chrome
- Other: Refer to Price Book for additional colors/finishes

Specified Model

Model	Description	Trip Lever	Colors/Finishes	
K-3658	Class Five toilet	left-hand	<input type="checkbox"/> 0	<input type="checkbox"/> Other _____
K-3658-RA	Class Five toilet	right-hand	<input type="checkbox"/> 0	<input type="checkbox"/> Other _____
Recommended Accessories				
K-4713	French Curve® Quiet-Close™ elongated toilet seat		<input type="checkbox"/> 0	<input type="checkbox"/> Other _____
K-4731	Stronghold® elongated open-front toilet seat – for ADA compliance		<input type="checkbox"/> 0	<input type="checkbox"/> Other _____
K-7637	Angle supply with stop – 3/8" NPT		<input type="checkbox"/> CP	<input type="checkbox"/> Other _____

Product Specification

The elongated bowl toilet shall be made of vitreous china. Toilet shall be 29-1/2" (749 mm) in length, 19-5/8" (498 mm) in width, and 30-3/8" (772 mm) in height with an 11-3/8" (289 mm) by 8" (203 mm) water area. Toilet shall be 1.28 gpf (4.8 lpf) with Class Five flushing system. Toilet shall have 12" (305 mm) rough-in and 2-1/8" (54 mm) glazed trapway. Toilet shall include polished chrome trip lever. Toilet shall be Comfort Height and less supply. Elongated bowl toilet shall be Kohler Model K-3658-_____ or K-3658-RA-_____.

HIGHLINE®

Technical Information

Fixture:	
Configuration	two-piece, elongated
Water per flush	1.28 gpf (4.8 lpf)
Passageway	2-1/8" (54 mm)
Water area	11-3/8" (289 mm) x 8" (203 mm)
Water depth from rim	5-3/8" (137 mm)
Seat post hole centers	5-1/2" (140 mm)

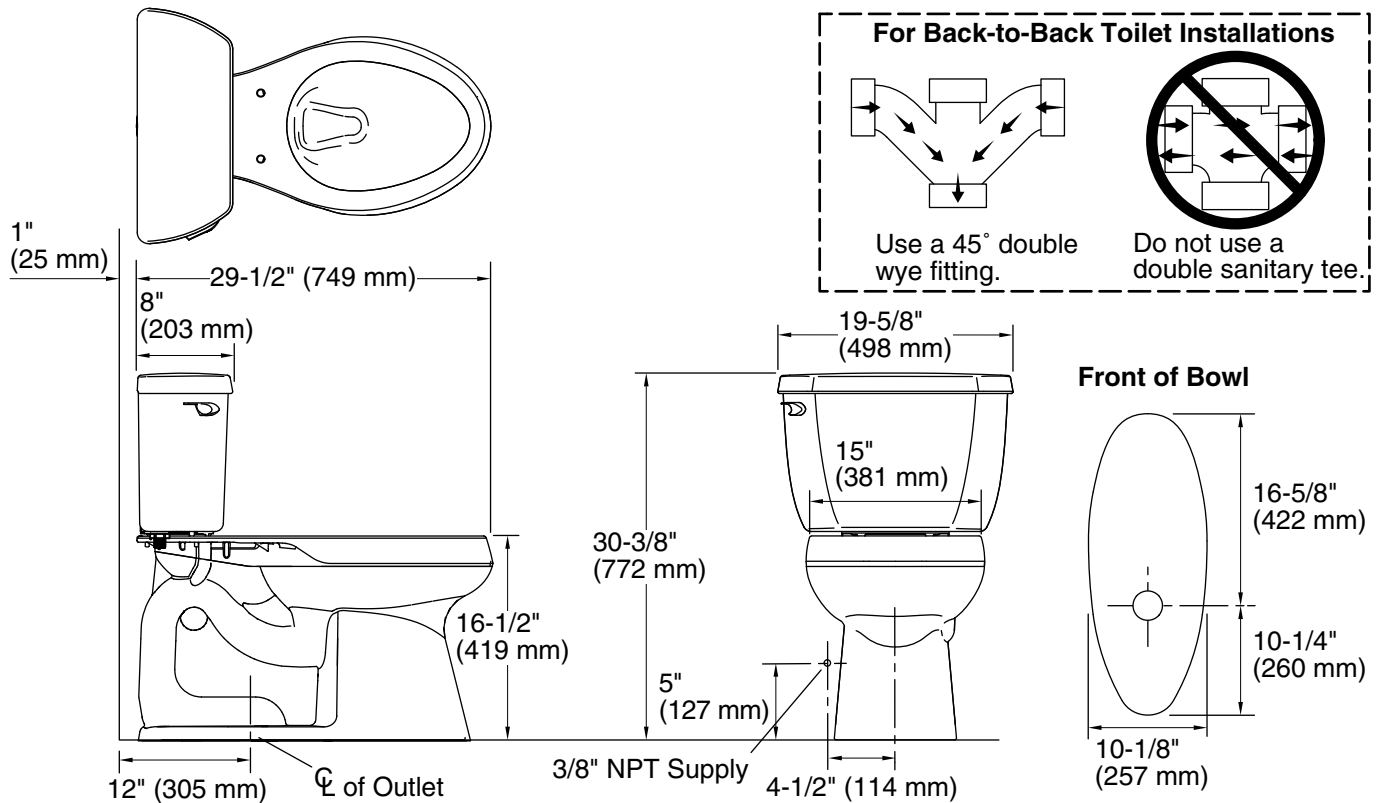
Included components:	
Bowl	K-4199
Tank	K-4436
Tank cover	84591
Trip lever	K-9386
Bolt cap accessory pack	1013092

Installation Notes

Install this product according to the installation guide.

For back-to-back toilet installations: Use only a 45° double wye fitting.

Will comply with the Americans with Disabilities Act (**ADA**) when installed per the requirements of the 2010 ADA Standards of Accessible Design, Section 604 Water Closets, of the Act. The Model Plumbing Codes require the installation of elongated open-front toilet seats in public bathrooms.



Product Diagram