



# DIY CORNHOLE INSTRUCTIONS

FEATURING



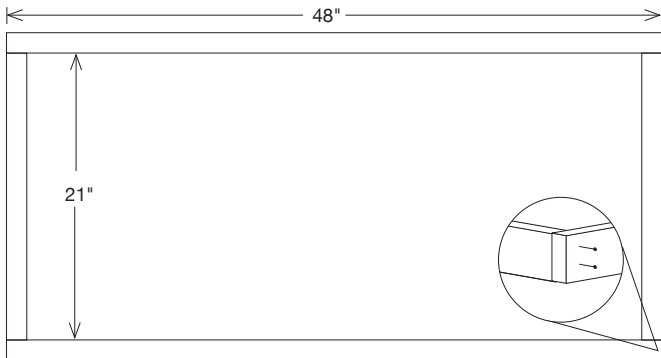
Cornhole is a wildly popular game played in backyards, at cookouts and tailgating parties around world. Players toss beanbags toward a raised platform with a hole in it. A bean bag in the hole is worth 3 points and a beanbag that lands, and stays, on the platform is worth 2 points. This easy, fun DIY project will provide hours of fun as you build, decorate and play cornhole with family and friends.

## MATERIALS LIST FOR ONE SET (2) CORNHOLE BOARDS

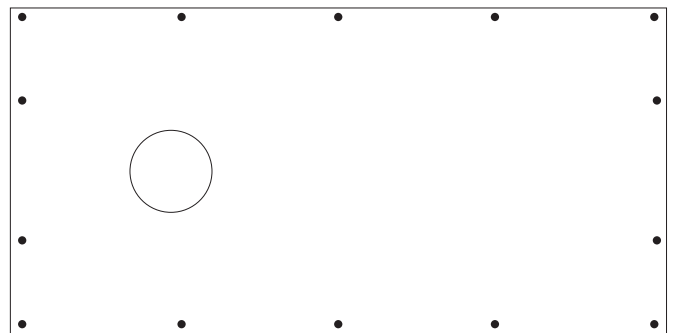
- \_\_ 2x Pre-cut PureBond Cornhole Board Platforms (Beanbags not included)
- \_\_ 4x 2"x4"x8'
- \_\_ 4x 3/8"x3 1/2" Carriage bolts
- \_\_ 8x 3/8" Washers

## CUT LIST

- \_\_ 4x 3/8" Nuts
- \_\_ 14 1" Trim-head screws
- \_\_ 8x 3" Deck or wood screws
- 4x 2"x4"x21"
- 4x 2"x4"x48"
- 4x 2"x4"x12"



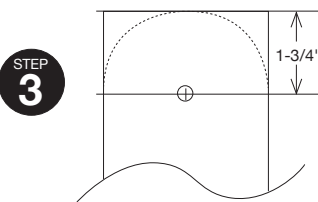
TOP VIEW OF FRAME



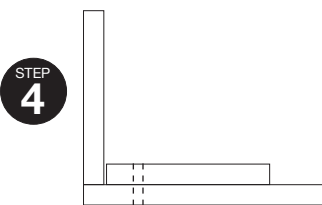
TOP VIEW OF PLYWOOD TOP

**STEP 1** Position the 2"x4"x21" boards between the 2"x4"x48" boards as shown in drawing. Fasten with 3" deck or wood screws.

**STEP 2** Attach pre-cut plywood top to each frame using 1" Trim-head screws as shown.

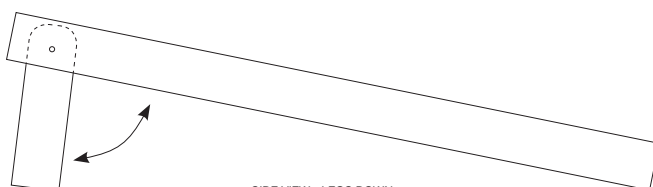


**STEP 3** Cut a 2x4 to 12" for the four legs. Make a full 3-1/2" radius cut on one end of each leg. To make the cut, measure 1-3/4" down the length of the 2x4 and draw a line across it. Place a compass point centered on that line then draw a 3-1/2" arc. Using a jig saw to make the cut. Using the compass point, drill a 3/8" hole in each leg.



**STEP 4** Place a leg in each corner, rounded edge toward the corner, and use the 3/8" hole drilled from Step 3 as a guide to drill through the frame. Make sure there is enough clearance for the leg to rotate. Attach each leg to frame using 3/8" Carriage bolts, 2 washers on each side of bolt, and nuts. Test leg to make sure it will rotate freely.

## REPEAT STEPS 1-4 TO BUILD SECOND CORNHOLE GAME BOARD



SIDE VIEW - LEGS DOWN



SIDE VIEW - LEGS FOLDED UP